

Ecoflam

GAS RANGE

BLU



CUSTOMIZED BURNERS SOLUTIONS FOR ANY TYPE OF APPLICATION



OUR EXPERIENCE

Thanks to almost 50 years of experience in the design and production of burners, Ecoflam offers a full range of blown air pressure jet burners covering an extremely wide range of power, from small products for residential heating applications to high power burners dedicated to the industrial segment.

Ecoflam burners are renowned worldwide for providing high efficiency and reliable operation with significant energy savings and feature extreme ease of installation, maintenance and flexible boiler-burner matching.

OUR MISSION

Following a philosophy of continuous improving, the R&D Laboratory is constantly working to produce better results, such as the reduced NOx level emissions. The development of new advanced combustion technologies allows to propose solutions in respect of the most stringent environmental regulations and to create the perfect condition to face the new upcoming market requests, such as Ultra Low NOx performance and ErP-ready products.



OUR PRODUCT RANGE

The flexibility of Ecoflam solutions allows the manufacturing of highly customized products covering a range from 17 kW to 34 MW:



MAX GAS

Gas range
17 - 700 kW



BLU

Gas range
245 - 17000 kW



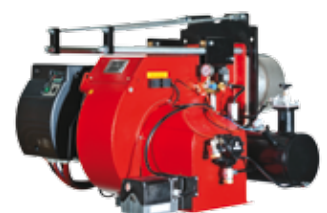
MAX

Light oil range
18 - 546 kW



MAIOR

Light oil range
300 - 17000 kW



MAXFLAM/OILFLAM

Heavy oil range
68 - 17000 kW



OUR PROFESSIONAL TEAM

Ability to design state-of-the-art burners, manage demands of products for specific applications, ability to solve problems in real time are just some of the characteristics of our technicians and engineers.

But not only: Ecoflam has a worldwide network of service technicians able to support the installation, the commissioning and the periodic maintenance activities of the burner.

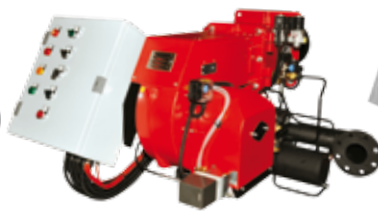
OUR INTERNATIONAL APPROACH

Our products are designed, developed and manufactured in Italy, combining quality, reliability and high performance. All these features are necessary for the end-user satisfaction, which is the first target for Ecoflam. Reaching this outcome throughout its extensive worldwide network of distributors and customers has always been a challenging task for Ecoflam, which was achieved only by developing a close and personalized relationship with each customer, always taking into account the needs and the distinctive characteristics of each individual market.



MULTICALOR

Dual fuel (gas/light oil)
190 - 17000 kW



MULTIFLAM

Dual fuel (gas/heavy oil)
414 - 17000 kW



TS RANGE

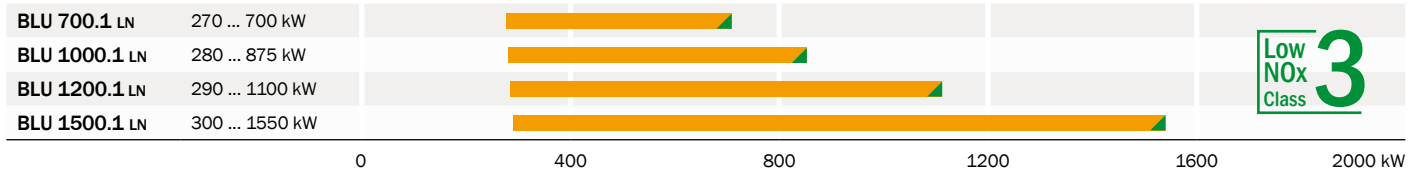
All fuels
230 - 34000 kW



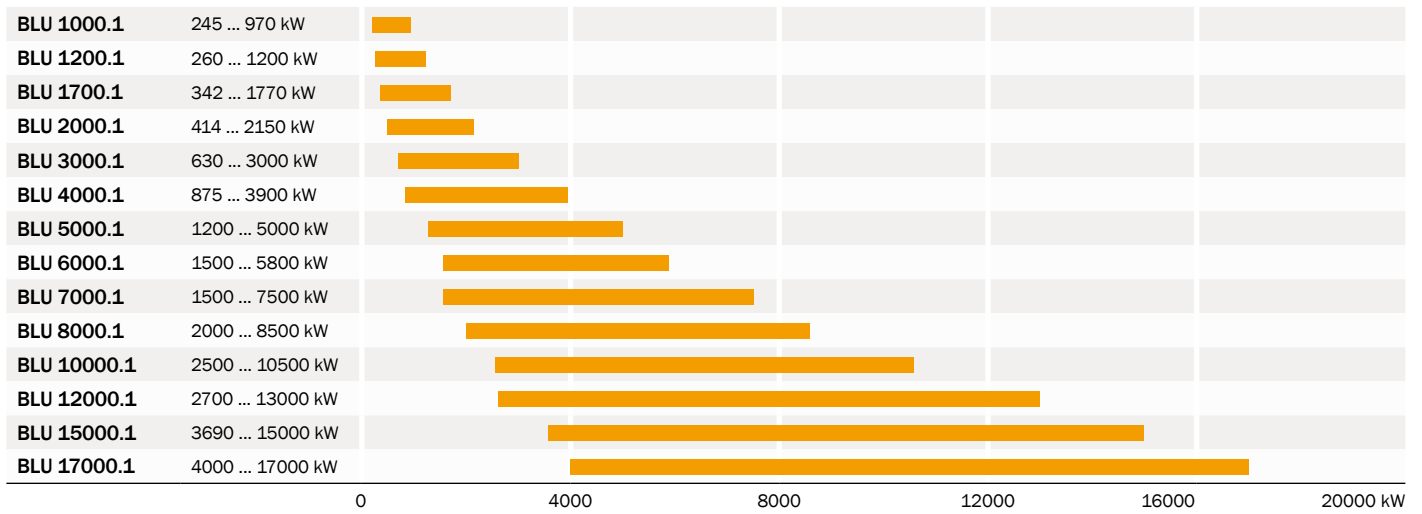
SPECIAL VERSIONS

RANGE OVERVIEW

Low NOx Classe 3 (NOx ≤ 80 mg/kWh)



Low NOx Classe 2 (NOx ≤ 120 mg/kWh)



MAIN FEATURES

- Modulating version with PID controller with digital set point display and real time value
- Version with fully electronic Burner Management System available for all models
- Adjustable combustion head for easy regulation and matching with different combustion chambers
- High turndown ratio up to 1:8
- Configured and special versions on request according to feasibility



CONFIGURATIONS

BLU range is available in the following operation modes:

BLU ... PAB	Two stages Two stages Low NOx Class 3	BLU 700.1 ... 2000.1 BLU 700.1 LN ... 1500.1 LN
BLU ... PR	Two stage progressive/modulating mechanical Two stage progressive/modulating mechanical Low NOx Class 3	BLU 1000.1 ... 17000.1 BLU 700.1 LN ... 1500.1 LN
BLU ... PRE	Two stage progressive/modulating electronic Two stage progressive/modulating electronic Low NOx Class 3	BLU 1000.1 ... 17000.1 BLU 700.1 LN ... 1500.1 LN

Other available configurations:

- LPG versions up to BLU 6000.1
- Continuous ventilation versions
- Swirl system for flame geometry customization
- OEM and other special versions on request according to feasibility

FUEL

- Natural gas (G20, G25 according to EN676)
- LPG

EMISSIONS

Class	NOx mg/kWh
1	170
2	120
3	80

All models are in compliance with EN 676 European Standard

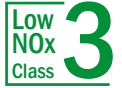
CONFORM TO

All products are in accordance with the following directives:

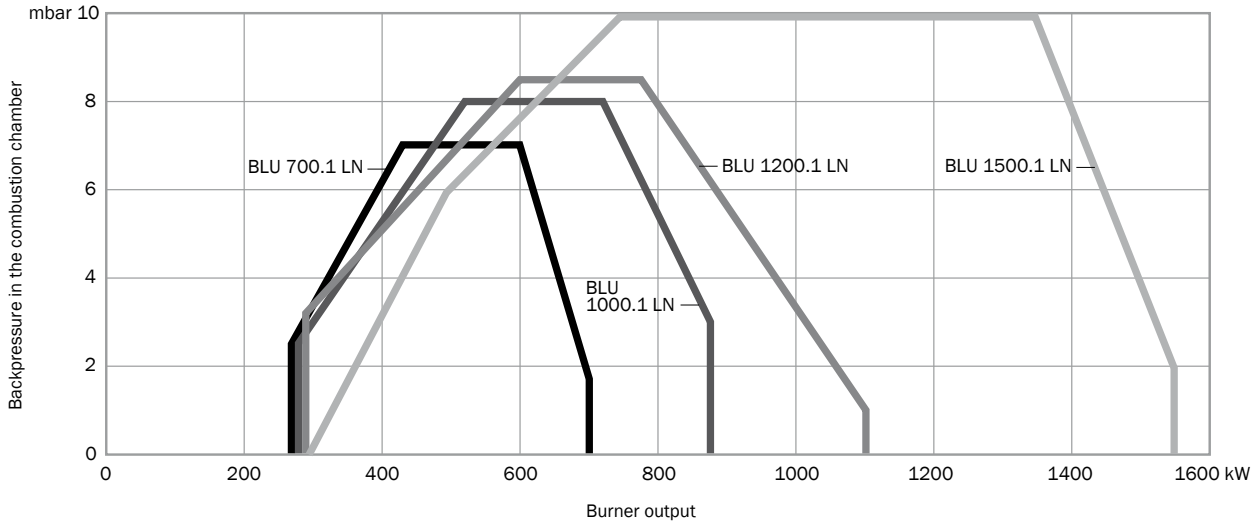
- 2006/42/EC Machinery Directive
- 2014/30/UE EMC Directive
- 2014/35/UE Low Voltage Directive
- 2009/142/CEE Gas Appliances Directive



- Fuels: natural gas, LPG
- Operation: two stages, two stage progressive or modulating with the installation of a power regulator and dedicated probes
- Emission class: Low NOx class 3 (≤ 80 mg/kWh) according to EN676



WORKING DIAGRAM

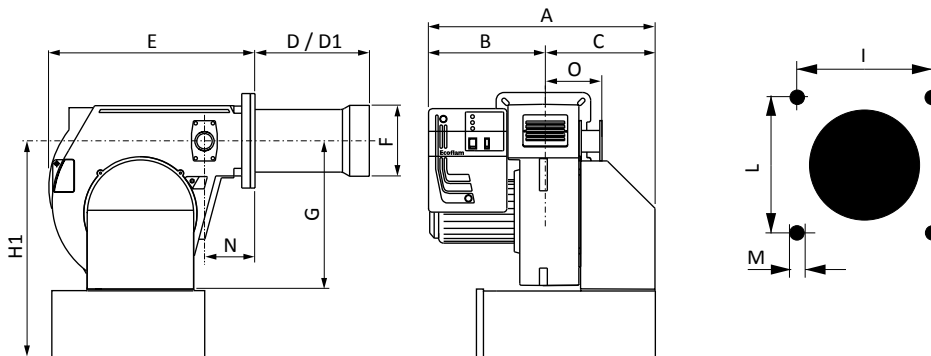


Test conditions conforming to EN676
 Temperature: 20 °C
 Pressure: 1013,5 mbar
 Altitude: 0 m a.s.l.

TECHNICAL DATA

	Burner output (kW)	Power supply	Motor (kW)	NOx class	Operation
BLU 700.1 LN	270 - 700	3/230-400/50Hz	1,1	Class 3	PAB, PR, PRE
BLU 1000.1 LN	280 - 875	3/230-400/50Hz	1,1	Class 3	PAB, PR, PRE
BLU 1200.1 LN	290 - 1100	3/230-400/50Hz	2,2	Class 3	PAB, PR, PRE
BLU 1500.1 LN	300 - 1550	3/230-400/50Hz	3	Class 3	PAB, PR, PRE

OVERALL DIMENSIONS

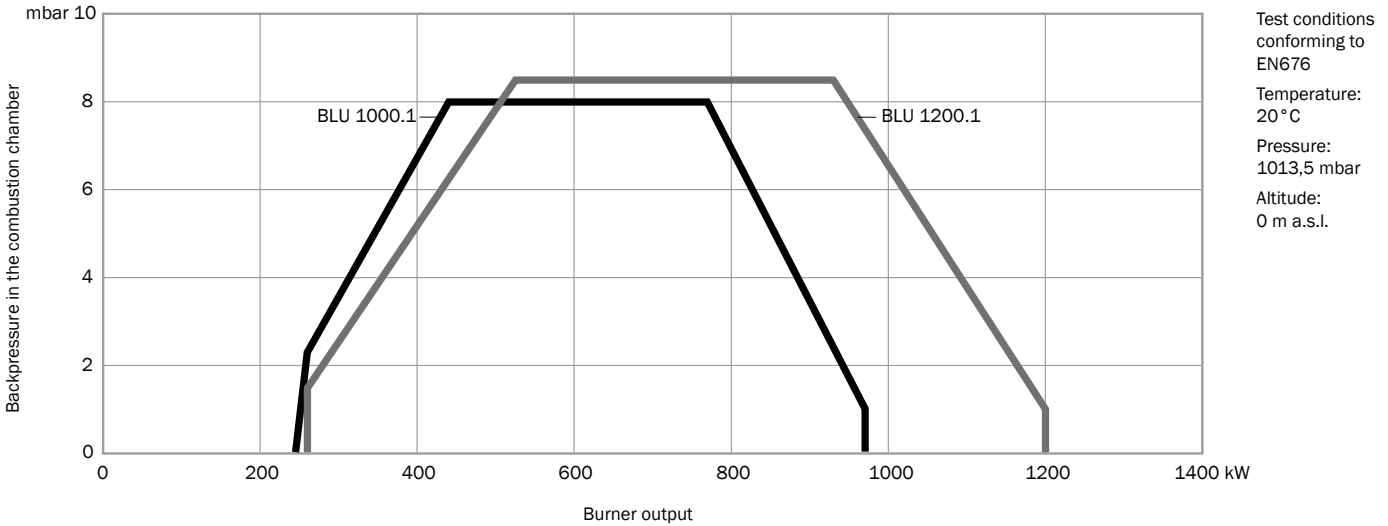


Dimensions in mm
 Head length: D short / D1 long
 *: with silencer (optional)

	A	B	C	D	D1	E	F	G	H1*	I	L	M	N	O
BLU 700.1 LN	650	330	320	175	395	555	170	390	600	190	190	M10	140	165
BLU 1000.1 LN	650	330	320	175	395	555	190	390	600	190	190	M10	140	165
BLU 1200.1 LN	670	350	320	310	460	555	200	390	600	190	190	M10	140	165
BLU 1500.1 LN	712	364	348	340	540	730	215	420	680	240	240	M14	138	187

- Fuels: natural gas, LPG
- Operation: two stages, two stage progressive or modulating with the installation of a power regulator and dedicated probes
- Emission class: Low NOx class 2 (≤ 120 mg/kWh) according to EN676

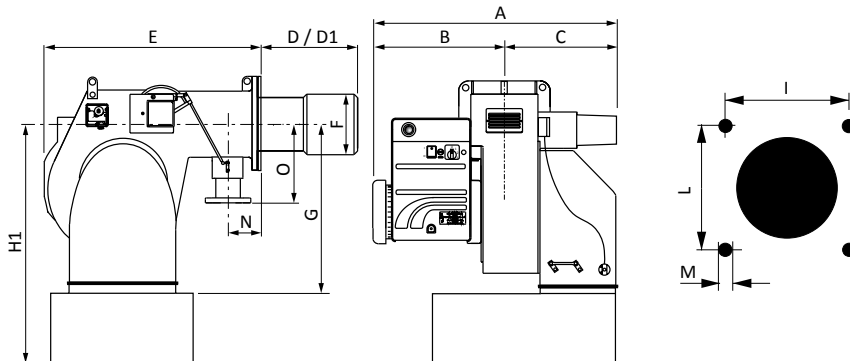
WORKING DIAGRAM



TECHNICAL DATA

	Burner output (kW)	Power supply	Motor (kW)	NOx class	Operation
BLU 1000.1	245 - 970	3/230-400/50Hz	1,1	Class 2	PAB, PR, PRE
BLU 1200.1	260 - 1200	3/230-400/50Hz	2,2	Class 2	PAB, PR, PRE

OVERALL DIMENSIONS

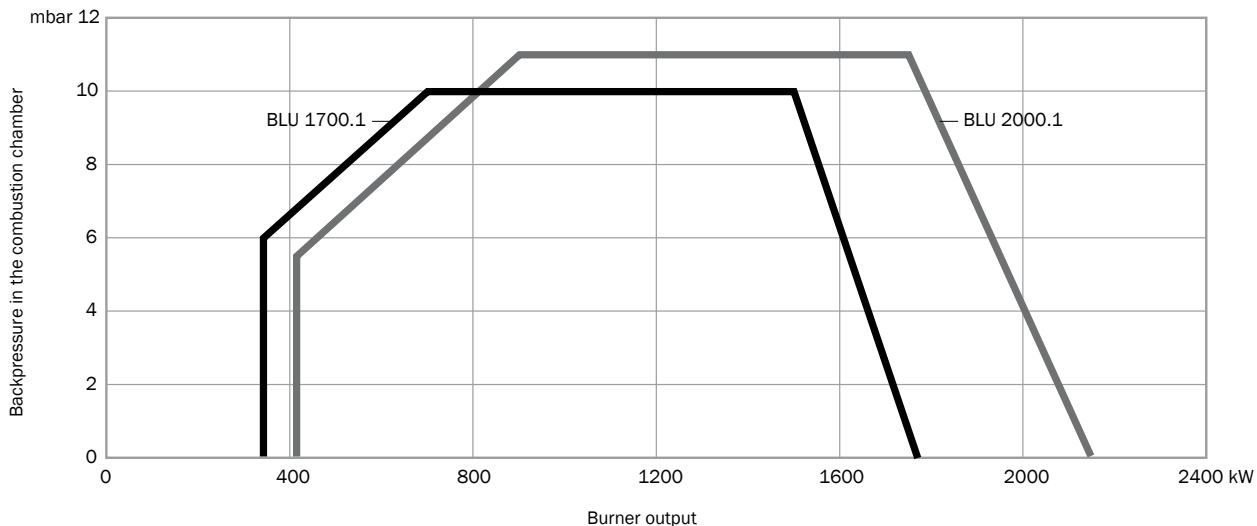


Dimensions in mm
 Head length: **D** short / **D1** long
 *: with silencer (optional)

	A	B	C	D	D1	E	F	G	H1*	I	L	M	N	O
BLU 1000.1 PAB	608	328	280	174	394	543	190	401	601	185/200	185/200	M10	138	168
BLU 1200.1 PAB	608	328	280	309	459	543	200	401	601	185/200	185/200	M10	138	168
BLU 1000.1 PR	657	328	329	174	394	543	190	401	601	185/200	185/200	M10	138	420
BLU 1200.1 PR	657	328	329	309	459	543	200	401	601	185/200	185/200	M10	138	420
BLU 1000.1 PRE	702	422	280	174	394	651	190	401	601	185/200	185/200	M10	138	168
BLU 1200.1 PRE	702	422	280	309	459	651	200	401	601	185/200	185/200	M10	138	168

- Fuels: natural gas, LPG
- Operation: two stages, two stage progressive or modulating with the installation of a power regulator and dedicated probes
- Emission class: Low NOx class 2 (≤ 120 mg/kWh) according to EN676

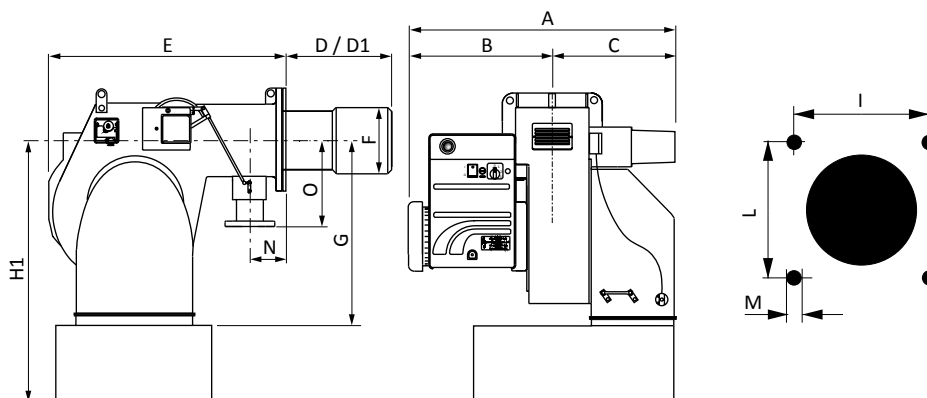
WORKING DIAGRAM



TECHNICAL DATA

	Burner output (kW)	Power supply	Motor (kW)	NOx class	Operation
BLU 1700.1	342 - 1770	3/230-400/50Hz	3	Class 2	PAB, PR, PRE
BLU 2000.1	414 - 2150	3/400/50Hz	4	Class 2	PAB, PR, PRE

OVERALL DIMENSIONS

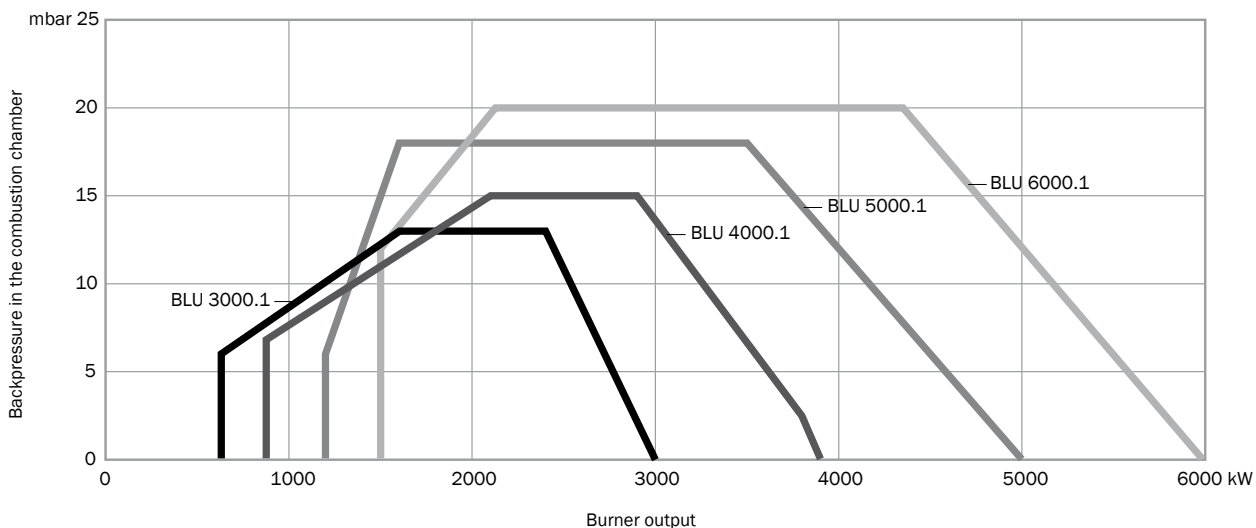


Dimensions in mm
 Head length: D short / D1 long
 *: with silencer (optional)

	A	B	C	D	D1	E	F	G	H1*	I	L	M	N	O
BLU 1700.1	710	385	325	340	540	660	250	398	681	240	240	M14	125	250
BLU 2000.1	730	405	325	345	545	660	270	398	681	240	240	M14	125	250

- Fuels: natural gas, LPG
- Operation: two stage progressive or modulating with the installation of a power regulator and dedicated probes
- Emission class: Low NOx class 2 (≤ 120 mg/kWh) according to EN676

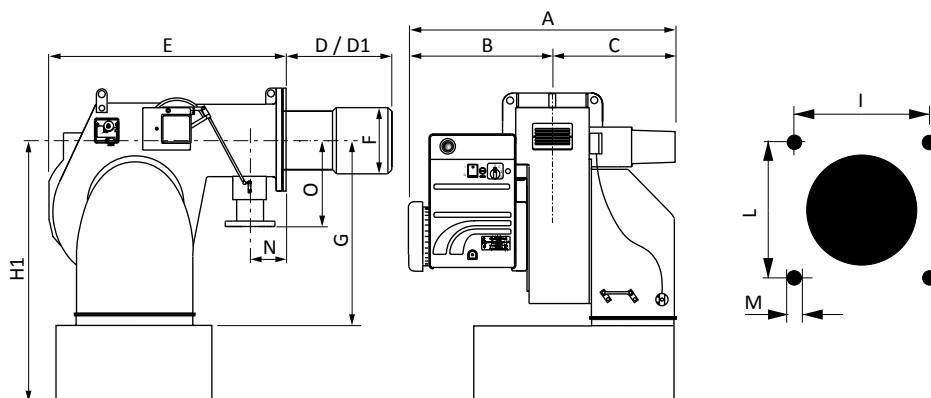
WORKING DIAGRAM



TECHNICAL DATA

	Burner output (kW)	Power supply	Motor (kW)	NOx class	Operation
BLU 3000.1	630 - 3000	3/400/50Hz	5,5	Class 2	PR, PRE
BLU 4000.1	875 - 3900	3/400/50Hz	7,5	Class 2	PR, PRE
BLU 5000.1	1200 - 5000	3/400/50Hz	11	Class 2	PR, PRE
BLU 6000.1	1500 - 6000	3/400/50Hz	15	Class 2	PR, PRE

OVERALL DIMENSIONS

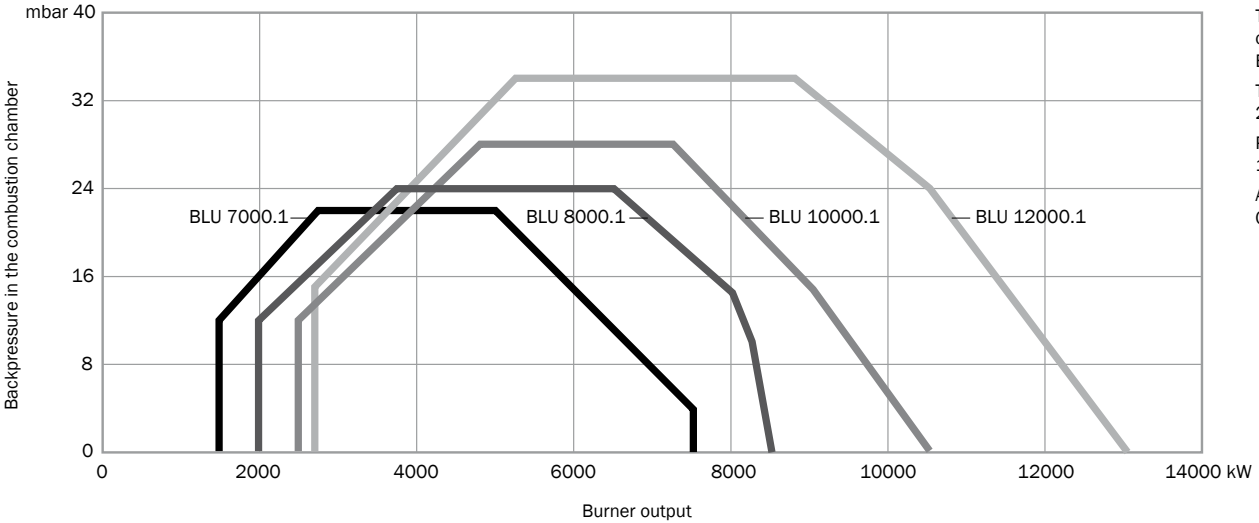


Dimensions in mm
 Head length: D short / D1 long
 *: with silencer (optional)

	A	B	C	D	D1	E	F	G	H1*	I	L	M	N	O
BLU 3000.1	941	448	493	330	530	780	290	471	746	315	315	M16	195	250
BLU 4000.1	941	448	493	365	565	780	320	471	746	315	315	M16	195	250
BLU 5000.1	1019	495	524	375	575	970	320	570	965	330	330	M16	195	250
BLU 6000.1	1069	545	524	375	575	970	360	570	965	330	330	M16	195	250

- Fuels: natural gas, LPG
- Operation: two stage progressive or modulating with the installation of a power regulator and dedicated probes
- Emission class: Low NOx class 2 (≤ 120 mg/kWh) according to EN676

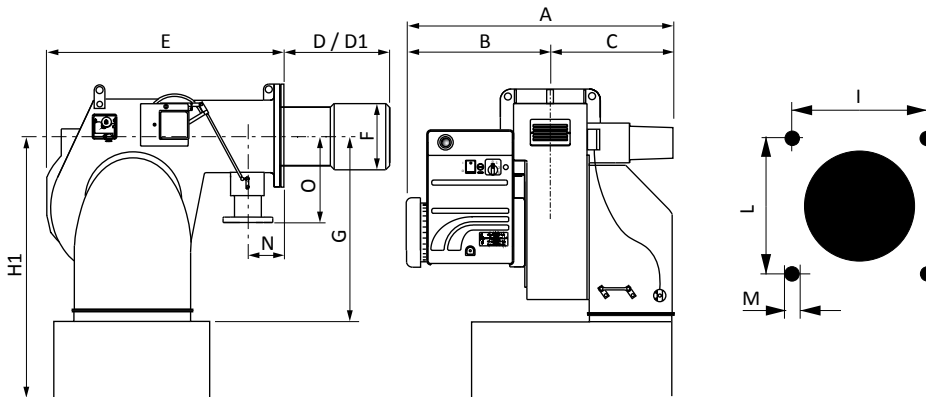
WORKING DIAGRAM



TECHNICAL DATA

	Burner output (kW)	Power supply	Motor (kW)	NOx class	Operation
BLU 7000.1	1500 - 7500	3/400/50Hz	15	Class 2	PR, PRE
BLU 8000.1	2000 - 8500	3/400/50Hz	18,5	Class 2	PR, PRE
BLU 10000.1	2500 - 10500	3/400/50Hz	22	Class 2	PR, PRE
BLU 12000.1	2700 - 13000	3/400/50Hz	37	Class 2	PR, PRE

OVERALL DIMENSIONS

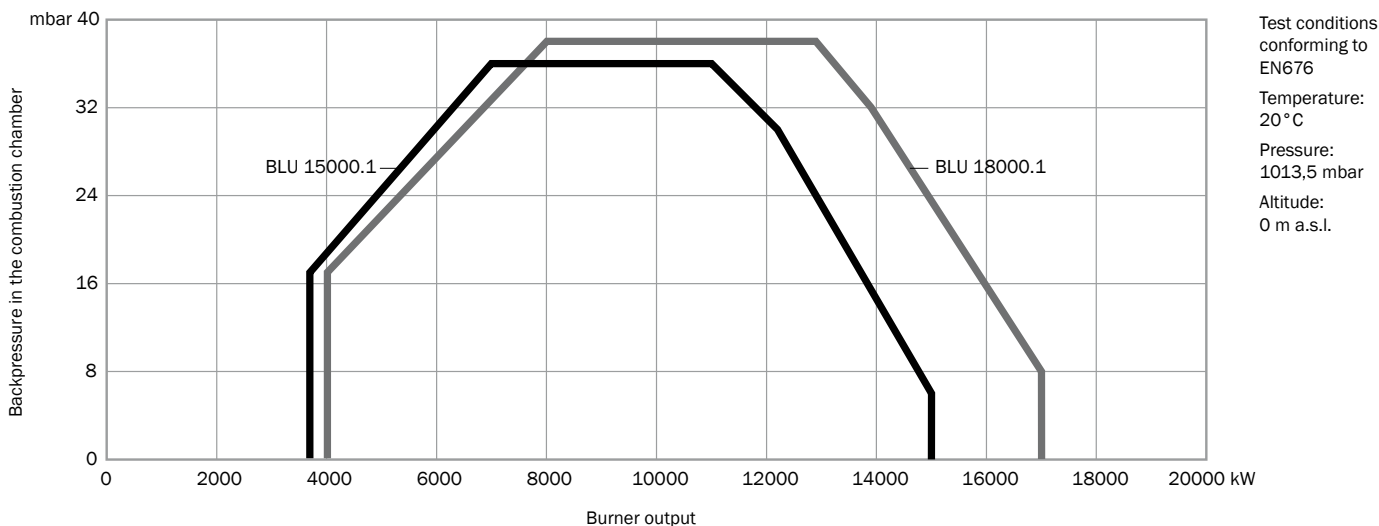


Dimensions in mm
 Head length: D short / D1 long
 *: with silencer (optional)

	A	B	C	D	D1	E	F	G	H1*	I	L	M	N	O
BLU 7000.1	1210	585	625	470	-	1212	420	775	1270	460	460	M20	195	232
BLU 8000.1	1280	655	625	470	-	1212	420	775	1270	460	460	M20	195	232
BLU 10000.1	1310	685	625	470	-	1212	420	775	1270	460	460	M20	195	232
BLU 12000.1	1420	795	625	470	-	1212	450	775	1270	460	460	M20	195	232

- Fuels: natural gas, LPG
- Operation: two stage progressive or modulating with the installation of a power regulator and dedicated probes
- Emission class: Low NOx class 2 (≤ 120 mg/kWh) according to EN676

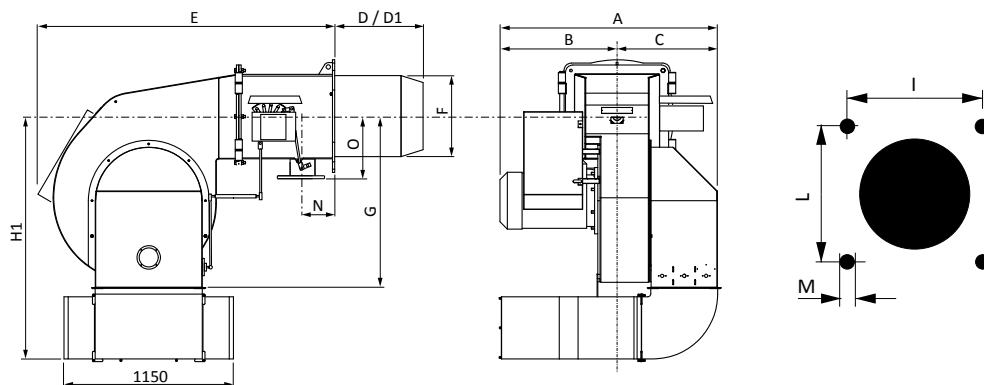
WORKING DIAGRAM



TECHNICAL DATA

	Burner output (kW)	Power supply	Motor (kW)	NOx class	Operation
BLU 15000.1	3690 - 15000	3/400/50Hz	45	Class 2	PR, PRE
BLU 18000.1	4000 - 17000	3/400/50Hz	55	Class 2	PR, PRE

OVERALL DIMENSIONS



Dimensions in mm
 Head length: D short / D1 long
 *: with silencer (optional)

	A	B	C	D	D1	E	F	G	H1*	I	L	M	N	O
BLU 15000.1	1530	810	720	590	-	1860	550	1320	1670	619	619	M20	210	320
BLU 18000.1	1580	860	720	590	-	1860	550	1320	1670	619	619	M20	210	320

HEAD OFFICE:
Via Roma, 64
31023 Resana (TV)

REGISTERED OFFICE:
Viale A. Merloni, 45
60044 Fabriano (AN)

Tel.: +39 0423 719500
Fax: +39 0423 719580
Email: export@ecoflam-burners.com

Company subject to the direction and coordination of Ariston Group, Via A. Merloni, 45 - 60044 Fabriano (AN) - Italy

Version 1.2 - 01/02/2022

ECOFLAM Bruciatori S.p.A. reserve the right to make any adjustments, without prior notice, which is considered necessary or useful to its products, without affecting their main features.