

Ecoflam

GAS RANGE

MAX GAS



www.ecoflam-burners.com

CUSTOMIZED BURNERS SOLUTIONS FOR ANY TYPE OF APPLICATION



OUR EXPERIENCE

Thanks to almost 50 years of experience in the design and production of burners, Ecoflam offers a full range of blown air pressure jet burners covering an extremely wide range of power, from small products for residential heating applications to high power burners dedicated to the industrial segment.

Ecoflam burners are renowned worldwide for providing high efficiency and reliable operation with significant energy savings and feature extreme ease of installation, maintenance and flexible boiler-burner matching.

OUR MISSION

Following a philosophy of continuous improving, the R&D Laboratory is constantly working to produce better results, such as the reduced NOx level emissions. The development of new advanced combustion technologies allows to propose solutions in respect of the most stringent environmental regulations and to create the perfect condition to face the new upcoming market requests, such as Ultra Low NOx performance and ErP-ready products.



OUR PRODUCT RANGE

The flexibility of Ecoflam solutions allows the manufacturing of highly customized products covering a range from 17 kW to 34 MW:



MAX GAS

Gas range
17 - 700 kW



BLU

Gas range
245 - 17000 kW



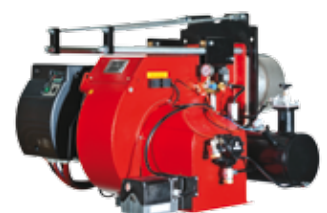
MAX

Light oil range
18 - 546 kW



MAIOR

Light oil range
300 - 17000 kW



MAXFLAM/OILFLAM

Heavy oil range
68 - 17000 kW



OUR PROFESSIONAL TEAM

Ability to design state-of-the-art burners, manage demands of products for specific applications, ability to solve problems in real time are just some of the characteristics of our technicians and engineers.

But not only: Ecoflam has a worldwide network of service technicians able to support the installation, the commissioning and the periodic maintenance activities of the burner.

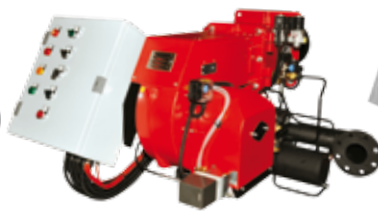
OUR INTERNATIONAL APPROACH

Our products are designed, developed and manufactured in Italy, combining quality, reliability and high performance. All these features are necessary for the end-user satisfaction, which is the first target for Ecoflam. Reaching this outcome throughout its extensive worldwide network of distributors and customers has always been a challenging task for Ecoflam, which was achieved only by developing a close and personalized relationship with each customer, always taking into account the needs and the distinctive characteristics of each individual market.



MULTICALOR

Dual fuel (gas/light oil)
190 - 17000 kW



MULTIFLAM

Dual fuel (gas/heavy oil)
414 - 17000 kW



TS RANGE

All fuels
230 - 34000 kW



SPECIAL VERSIONS

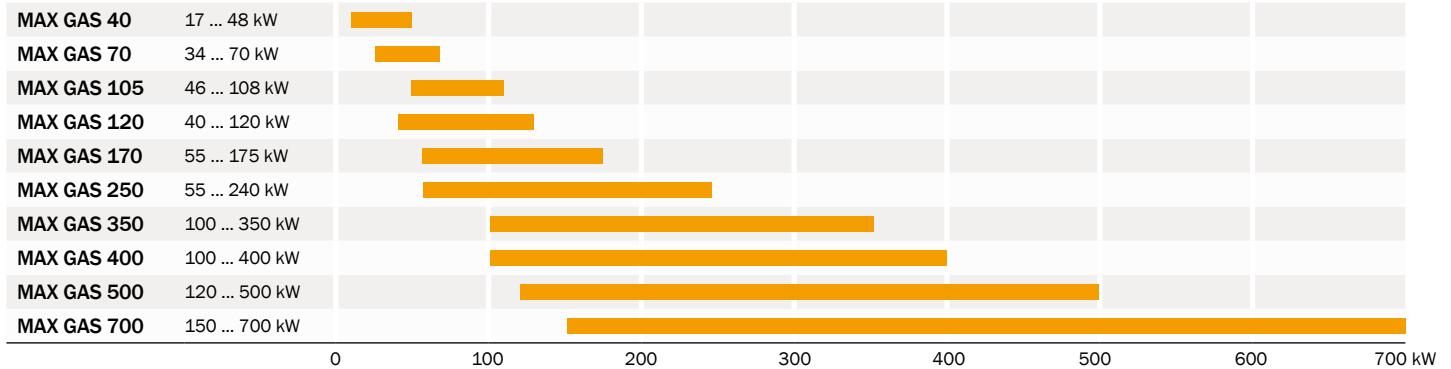
MAX GAS

MONOBLOCK GAS BURNERS FROM 17 TO 700 kW

RANGE OVERVIEW

Low NOx Class 3 (NOx ≤ 80 mg/kWh)

Low NOx Class 3

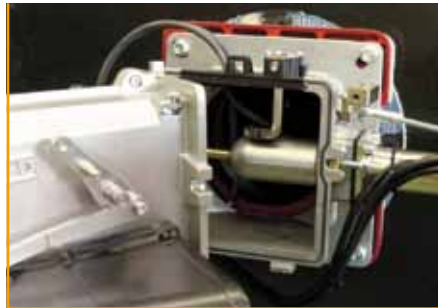


MAIN FEATURES

- Two stage PAB models available with different burner controllers, with or without digital informative display
- High efficiency fan ventilation system (HPV) allowing easy burner-boiler matching even with high combustion chamber pressure
- Combustion head easy to assemble and adjust
- The hinge flange allows easy access to the combustion head without losing the original settings (starting from MAX GAS 350)
- All models are available to work with 50 and 60 Hz electrical frequency



High efficiency fan ventilation system (HPV)



CONFIGURATIONS

MAX GAS range is available in the following operation modes:

MAX GAS ... P	MAX GAS ... PAB	MAX GAS ... PR
One stage Low NOx Class 3	Two stages Low NOx Class 3	Two stage progressive/modulating mechanical Low NOx Class 3
All models	MAX GAS 120 ... 700	MAX GAS 350 ... 700

Other available configurations:

- Progressive versions are available starting from model MAX GAS 350 and can be transformed into modulating with an optional kit
- LPG versions
- Continuous ventilation versions
- High temperature versions
- OEM and other special versions on request according to feasibility

FUEL

- Natural gas (G20, G25 according to EN676)
- LPG

EMISSIONS

Class	NOx mg/kWh
1	170
2	120
3	80

All models are in compliance with EN 676 European Standard

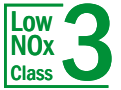
CONFORM TO

All products are in accordance with the following directives:

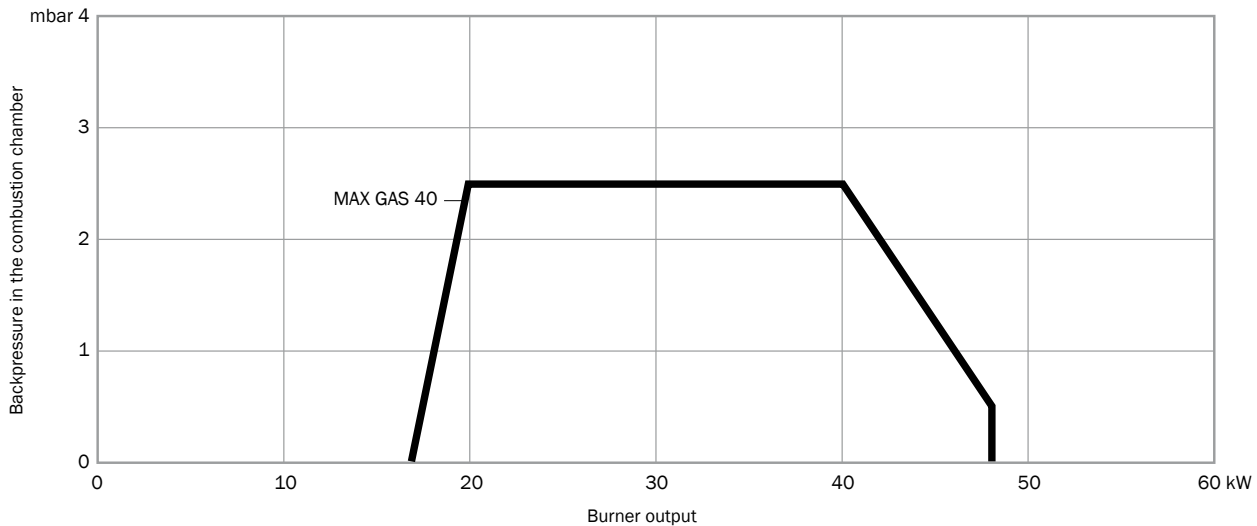
- 2014/35/EU Low Voltage Directive
- 2014/30/EU EMC Directive
- 2016/426/EU Gas Appliance Regulation
- 2006/42/EC Machine Directive



- Fuels: natural gas, LPG
- Operation: one stage;
- Emission class: Low NOx class 3 (≤ 80 mg/kWh) according to EN676



WORKING DIAGRAM

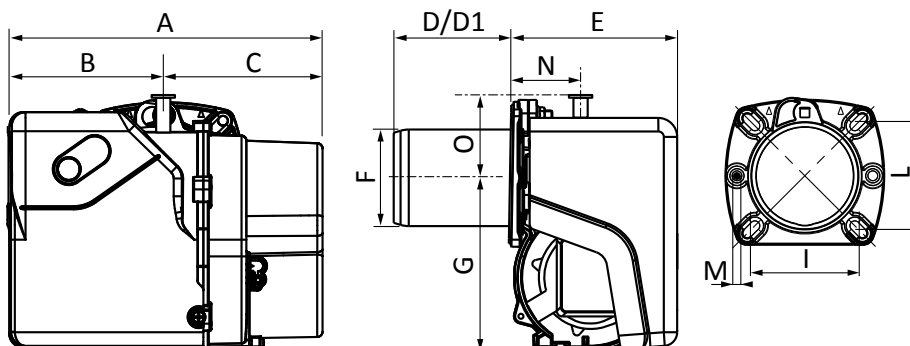


Test conditions conforming to EN676
 Temperature: 20 °C
 Pressure: 1013,5 mbar
 Altitude: 0 m a.s.l.

TECHNICAL DATA

	Burner output (kW)	Power supply	Motor (W)	NOx class	Operation
MAX GAS 40 P	17 - 48	1/230V/50-60Hz	75	Class 3	P

OVERALL DIMENSIONS



Dimensions in mm
 Head length: D short / D1 long

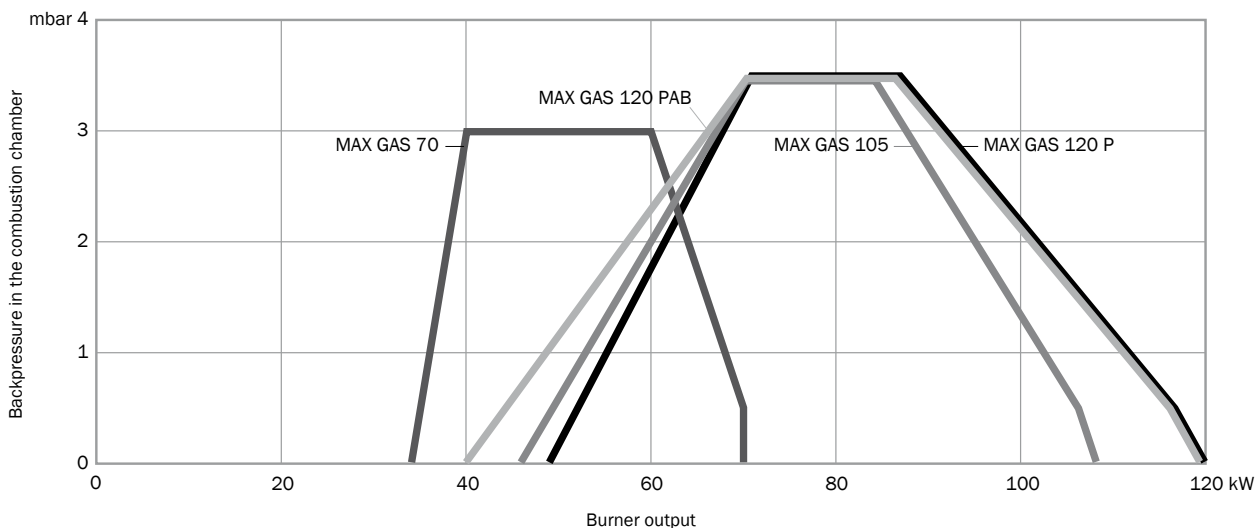
	A	B	C	D	D1	E	F	G	I	L	M	N	O	P
MAX GAS 40 P	288	143	145	85	185	153	89	160	92/107	92/107	M8	54	73	-

Range | Models
MAX GAS | 70 P - 105 P - 120 P/PAB

- Fuels: natural gas, LPG
- Operation: one stage; model MAX GAS 120 available also in two stage operation
- Emission class: Low NOx class 3 (≤ 80 mg/kWh) according to EN676



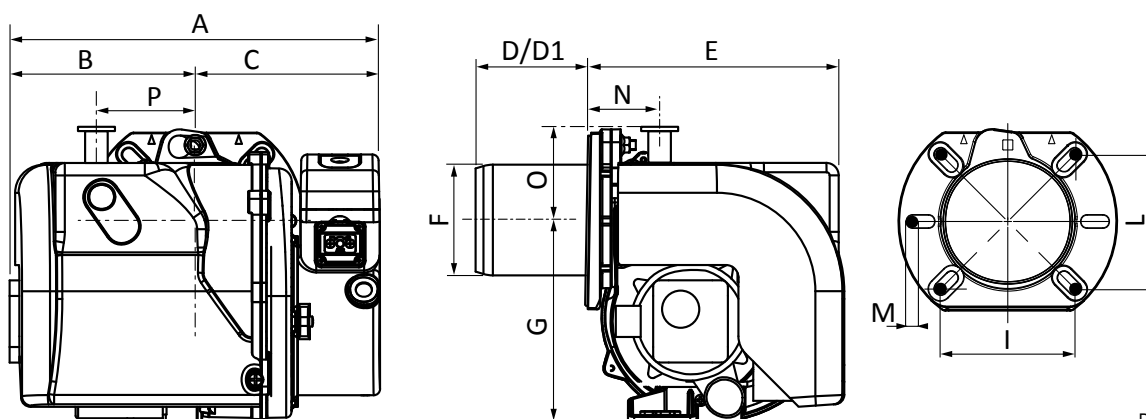
WORKING DIAGRAM



TECHNICAL DATA

	Burner output (kW)	Power supply	Motor (W)	NOx class	Operation
MAX GAS 70 P	34 - 70	1/230V/50-60Hz	75	Class 3	P
MAX GAS 105 P	46 - 108	1/230V/50-60Hz	75	Class 3	P
MAX GAS 120 P	49 - 120	1/230V/50-60Hz	75	Class 3	P
MAX GAS 120 PAB	40 - 120	1/230V/50-60Hz	75	Class 3	PAB

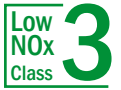
OVERALL DIMENSIONS



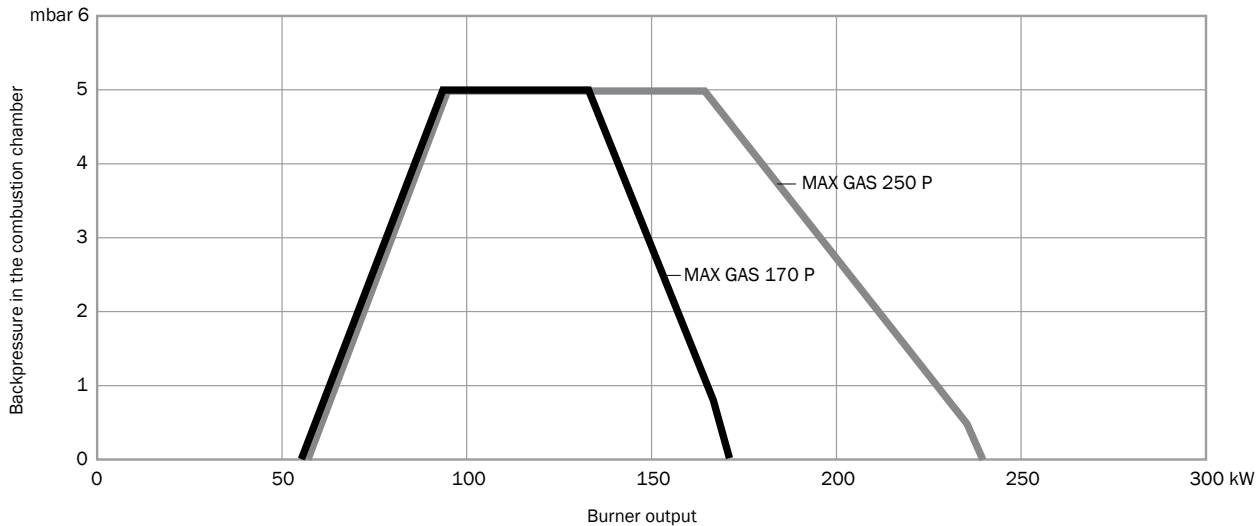
Dimensions in mm
 Head length: D short / D1 long

	A	B	C	D	D1	E	F	G	I	L	M	N	O	P
MAX GAS 70 P	303	155	148	85	185	204	89	160	100/120	100/120	M8	52	71	82
MAX GAS 105 P	317	169	148	140	220	204	89	160	100/120	100/120	M8	52	71	82
MAX GAS 120 P	317	169	148	160	240	204	98	160	100/120	100/120	M8	52	71	82
MAX GAS 120 PAB	317	169	148	160	240	282	98	160	100/120	100/120	M8	52	71	82

- Fuels: natural gas, LPG
- Operation: one stage
- Emission class: Low NOx class 3 (≤ 80 mg/kWh) according to EN676



WORKING DIAGRAM

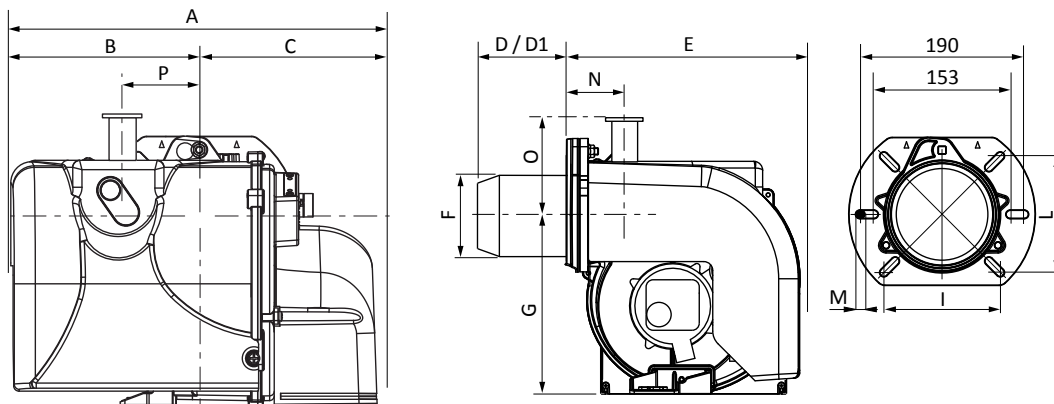


Test conditions conforming to EN676
 Temperature: 20 °C
 Pressure: 1013,5 mbar
 Altitude: 0 m a.s.l.

TECHNICAL DATA

	Burner output (kW)	Power supply (V)	Motor (W)	NOx class	Operation
MAX GAS 170	55 - 170	1/230V/50Hz	200	Class 3	P
MAX GAS 250	55 - 240	1/230V/50Hz	200	Class 3	P

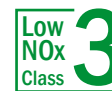
OVERALL DIMENSIONS



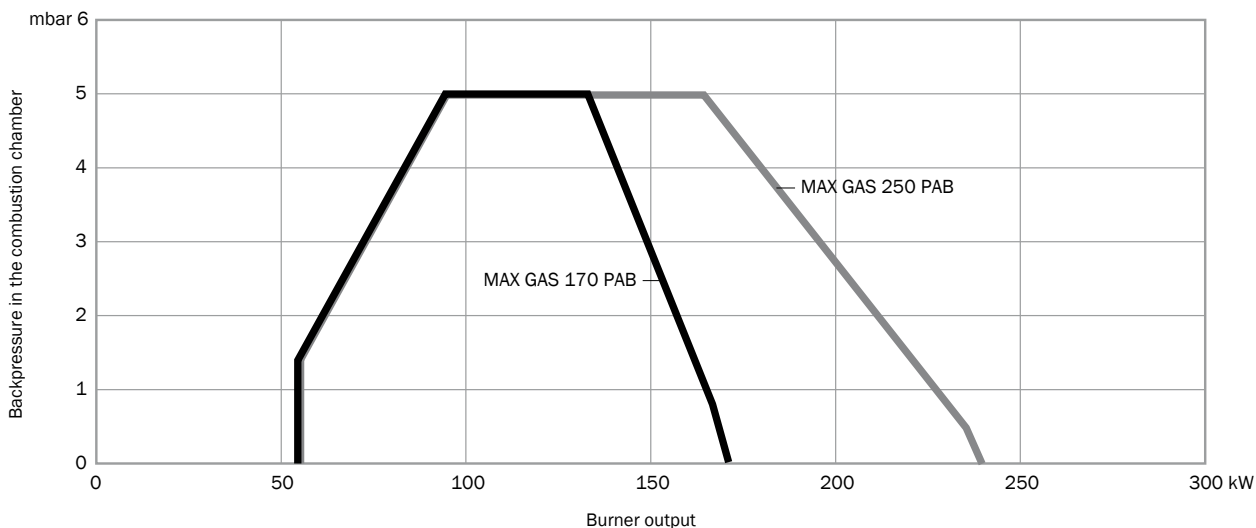
Dimensions in mm
 Head length: D short / D1 long

	A	B	C	D	D1	E	F	G	I	L	M	N	O	P
MAX GAS 170 P	392	202	190	180	280	280	125	201	106/130	106/130	M8	73	110	104
MAX GAS 250 P	392	202	190	180	280	280	125	201	106/130	106/130	M8	73	110	104

- Fuels: natural gas, LPG
- Operation: two stages
- Emission class: Low NOx class 3 (≤ 80 mg/kWh) according to EN676



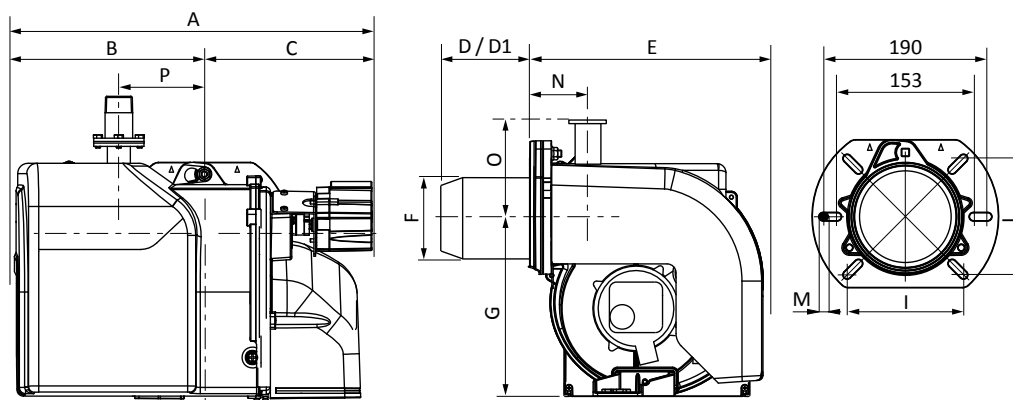
WORKING DIAGRAM



TECHNICAL DATA

	Burner output (kW)	Power supply (V)	Motor (W)	NOx class	Operation
MAX GAS 170	55 - 170	1/230V/50Hz	200	Class 3	PAB
MAX GAS 250	55 - 240	1/230V/50Hz	200	Class 3	PAB

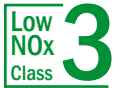
OVERALL DIMENSIONS



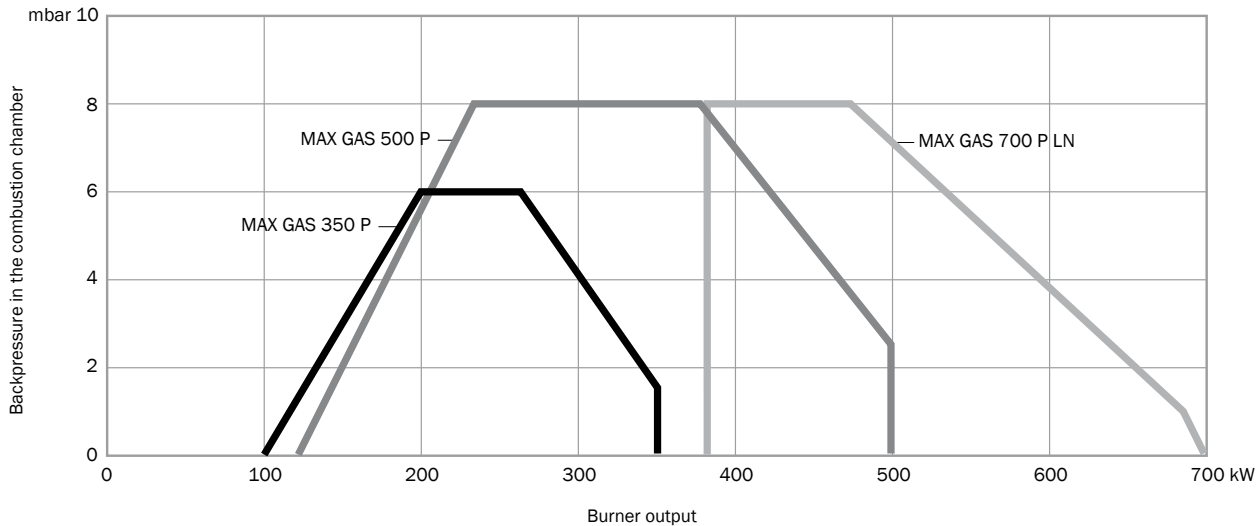
Dimensions in mm
 Head length: D short / D1 long

	A	B	C	D	D1	E	F	G	I	L	M	N	O	P
MAX GAS 170 PAB	435	231	204	180	280	301	125	201	106/130	106/130	M8	73	110	104
MAX GAS 250 PAB	435	231	204	180	280	301	125	201	106/130	106/130	M8	73	110	104

- Fuels: natural gas, LPG
- Operation: one stage
- Emission class: Low NOx class 3 (≤ 80 mg/kWh) according to EN676



WORKING DIAGRAM

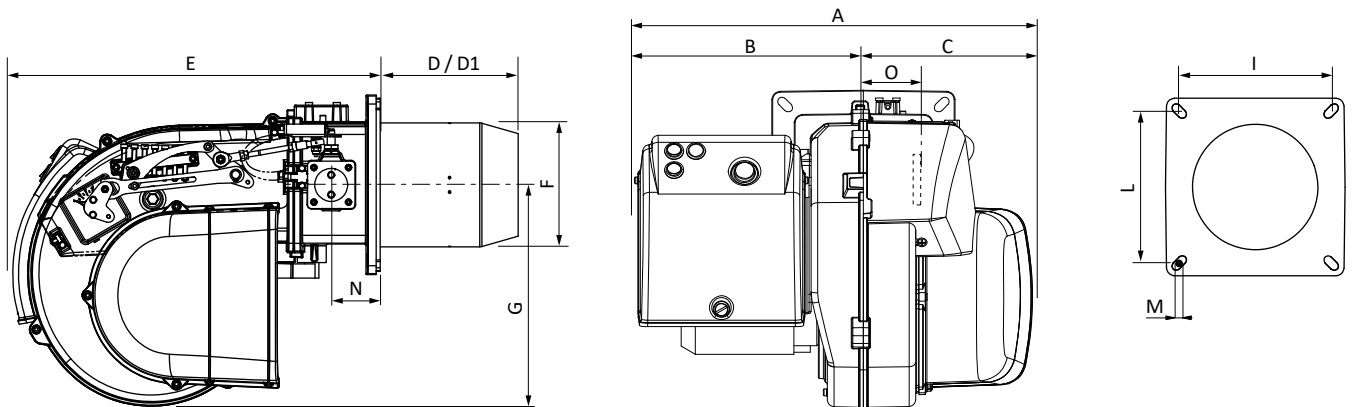


Test conditions conforming to EN676
 Temperature: 20 °C
 Pressure: 1013,5 mbar
 Altitude: 0 m a.s.l.

TECHNICAL DATA

	Burner output (kW)	Power supply	Motor (W)	NOx class	Operation
MAX GAS 350 P	100 - 350	1/230V/50Hz	300	Class 3	P
MAX GAS 500 P	120 - 500	3/230-400V/50Hz	550	Class 3	P
MAX GAS 700 P	380 - 700	3/230-400V/50Hz	750	Class 3	P

OVERALL DIMENSIONS



Dimensions in mm
 Head length: D short / D1 long

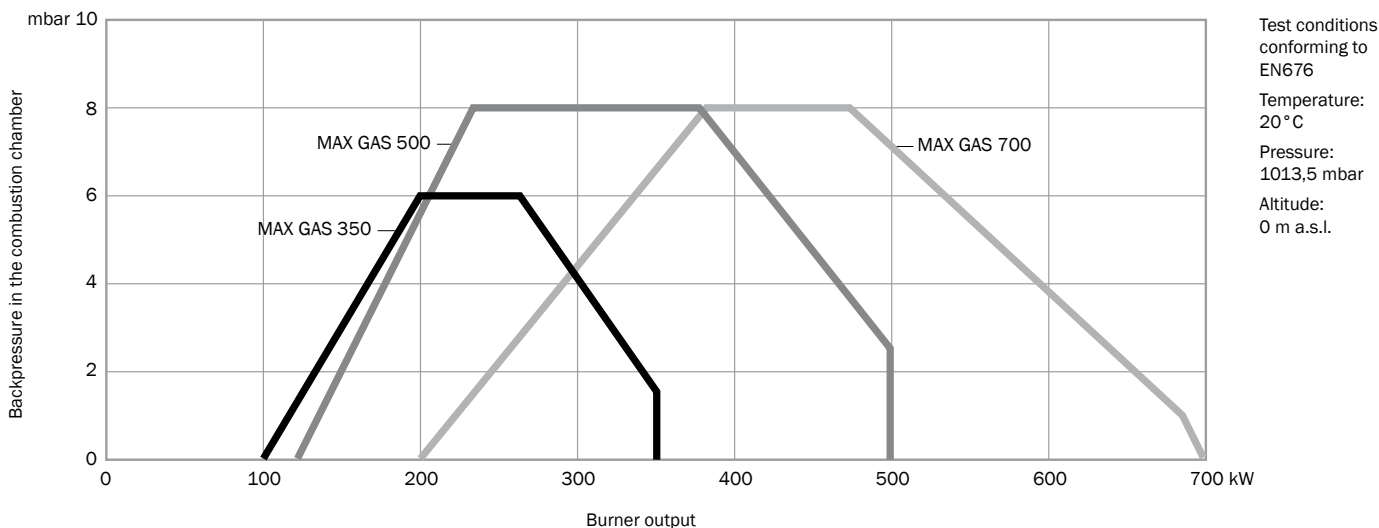
	A	B	C	D	D1	E	F	G	I	L	M	N	O
MAX GAS 350/500 P	485	277	208	175	335	466	157	280	185/200	185/200	M8	62	101
MAX GAS 700 P	485	277	208	250	390	466	190	280	185/200	185/200	M8	62	101

Range | Models
MAX GAS | 350 PAB/PR - 500 PAB/PR - 700 PAB/PR

- Fuels: natural gas, LPG
- Operation: two stages and two stage progressive or modulating with the installation of a power regulator and dedicated probes
- Emission class: Low NOx class 3 (≤ 80 mg/kWh) according to EN676



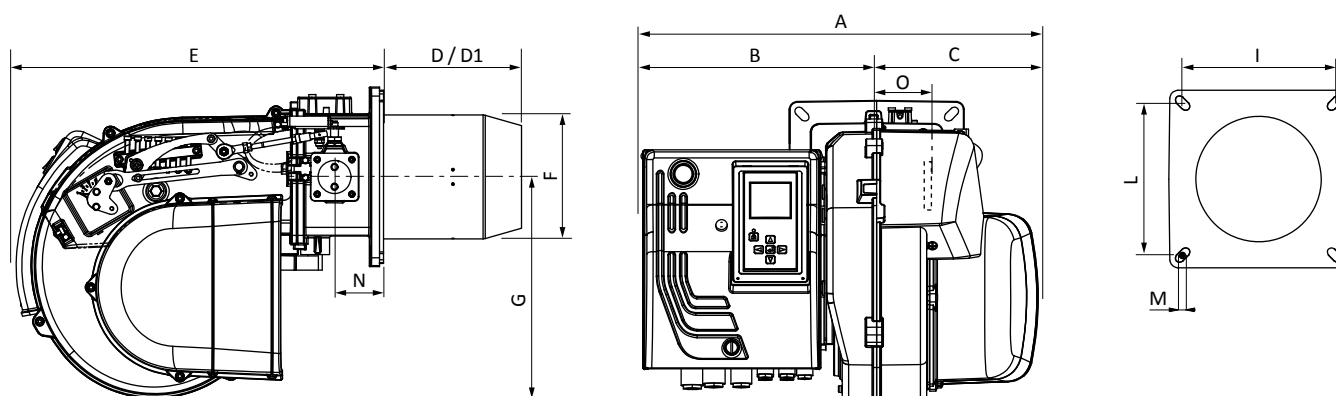
WORKING DIAGRAM



TECHNICAL DATA

	Burner output (kW)	Power supply	Motor (W)	NOx class	Operation
MAX GAS 350 PAB	100 - 350	1/230V/50Hz	300	Class 3	PAB
MAX GAS 500 PAB	120 - 500	3/230-400V/50Hz	550	Class 3	PAB
MAX GAS 700 PAB	200 - 700	3/230-400V/50Hz	750	Class 3	PAB
MAX GAS 350 PR	100 - 350	1/230V/50Hz	300	Class 3	PR
MAX GAS 500 PR	120 - 500	3/230-400V/50Hz	550	Class 3	PR
MAX GAS 700 PR	200 - 700	3/230-400V/50Hz	750	Class 3	PR

OVERALL DIMENSIONS



Dimensions in mm
 Head length: D short / D1 long

	A	B	C	D	D1	E	F	G	I	L	M	N	O
MAX GAS 350/500 PAB	510	302	208	175	335	500	157	280	185/200	185/200	M8	62	101
MAX GAS 700 PAB	510	302	208	250	390	510	190	280	185/200	185/200	M8	62	101
MAX GAS 350/500 PR	510	302	208	175	335	500	157	280	185/200	185/200	M8	62	101
MAX GAS 700 PR	510	302	208	250	390	510	190	280	185/200	185/200	M8	62	101

HEAD OFFICE:
Via Roma, 64
31023 Resana (TV)

REGISTERED OFFICE:
Viale A. Merloni, 45
60044 Fabriano (AN)

Tel.: +39 0423 719500
Fax: +39 0423 719580
Email: export@ecoflam-burners.com

Company subject to the direction and coordination of Ariston Group, Via A. Merloni, 45 - 60044 Fabriano (AN) - Italy

Version 1.2 - 01/02/2022

ECOFLAM Bruciatori S.p.A. reserve the right to make any adjustments, without prior notice, which is considered necessary or useful to its products, without affecting their main features.