

G 0SR-LX - G 0S-LX - G 0H-LX - G 1SR-LX - G 1S-LX - G 1H-LX

Light-oil burners single stage - Low NO_x (NO_x < 120 mg/kWh).

They are composed by: aluminium frame, protection cover with noise reduction plate, combustion head with micrometric adjustment, high flame stability and low emissions.

Compact overall dimensions and disposition rationalized of the components with accessibility facilitated for the operations of setting and maintenance.

In the versions H hydraulic device of closing air shutter.

In the versions R preheater with control of temperature for soft and sicure ignitions also at low temperatures.

Complete of connector 7 poles, flange and gasket for installation on boiler, nozzle, flexible pipes, line filter.



Fig. 1 G 0SR-LX - G 0S-LX - G 0H-LX



Fig. 2 G 1SR-LX - G 1S-LX - G 1H-LX

TECHNICAL DATA G 0SR-LX - G 0S-LX - G 0H-LX - G 1SR-LX - G 1S-LX - G 1H-LX

MODEL		G 0SR-LX	G 0S-LX G 0H-LX	G 1SR-LX	G 1S-LX G 1H-LX
Flow min. - max. *	[kg/h]	1.8-3.3	1.8-3.3	2.7-5.0	2.7-5.0
Thermal power min. - max. *	[Mcal/h]	18.4-33.7	18.4-33.7	27.5-51	27.5-51
Thermal power min. - max. *	[kW]	21.3-39	21.3-39	31.9-59.2	31.9-59.2
Fuel: LIGHT-OIL 1.5°E at 20°C = 6.2 cSt = 35 sec Redwood N°1					
NOx	[mg/kWh]				
Intermittent working operation (min. 1 stop every 24 hours) one stage					
Environmental conditions operation / storage:	-15...+40°C / -20...+70°C, rel. humidity max. 80%				
Max. temperature combustion air	[°C]	60			
Nominal electric power	[W]	190	120	220	130
Fan motor	[W]	90	90	100	100
Nominal current absorption	[A]	0.9	0.6	1	0.6
Pre-heater	[W]	30-110	-	30-110	-
Power supply:	1N~230V - 50Hz				
Electric protection degree:	IP 40				
Noisiness min. - max. **	[dBA]	56-58	56-58	57-59	57-59
Burner weight ***	[kg]	8	8	10	10

* Reference conditions: Environment temperature 20°C - Barometric pressure 1013 mbars - Altitude 0 metre (sea level).

** Measured sonorous pressure in the combustion laboratory, with burner on operation on beta boiler to 1m of distance (UNI EN ISO 3746).

*** For burner with iron cover (F) add 3 kg to the weight.

OPERATING RANGE DIAGRAM G 0SR-LX - G 0S-LX - G 0H-LX - G 1SR-LX - G 1S-LX - G 1H-LX

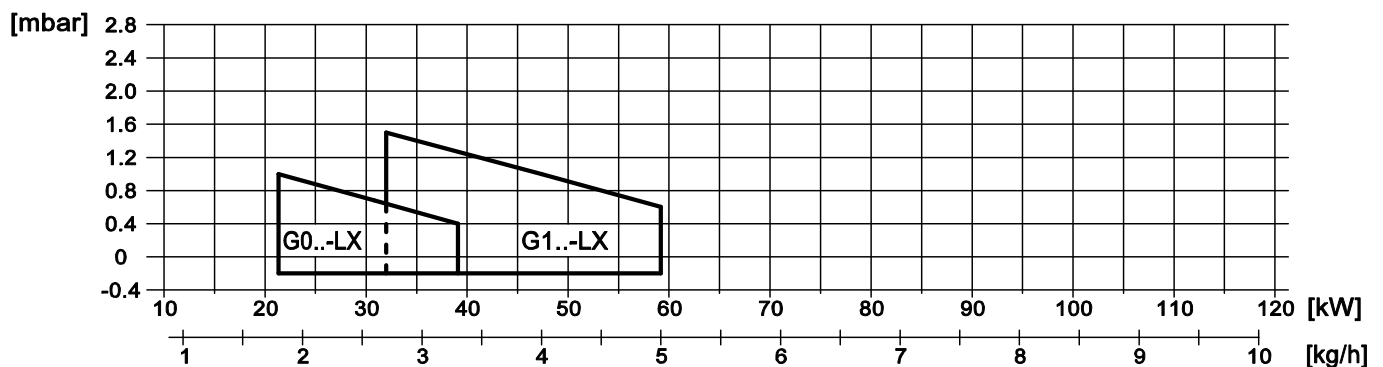


Fig. 3 X = Thermal power Y = Pression in the combustion chamber

The firing rates has been obtained based on test boilers in accordance with EN267 standards and are indicative of matching the burner to the boiler. For the correct operation of the burner, combustion chamber dimensions must be in accordance with current regulation. In case of non-compliance, contact the manufacturer.



FBR

DIMENSIONS [MM]

LIGHT-OIL BURNERS ONE STAGE SERIES LX

SK070061_A_en

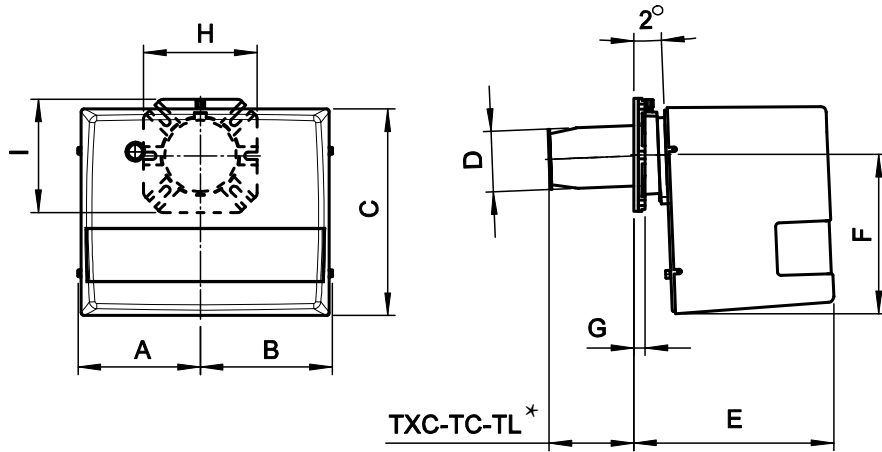
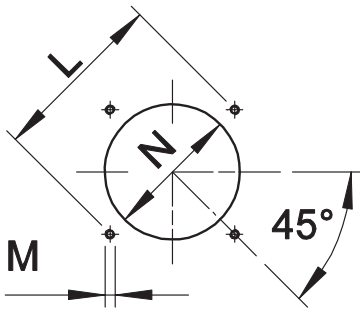


Fig. 4 Dimensions G 0SR-LX - G 0S-LX - G 0H-LX - G 1SR-LX - G 1S-LX - G 1H-LX

MODEL	A	B	C	D	E	F	G	H	I
G0...-LX	137	137	240	80	223	169	15	150	150
G1...-LX	157	170	275	90	265	210	15	150	150

* See "flame tube length"

BOILER PLATE



* Suggested dimension of connection between burner and generator.

Fig. 5 Boiler plate

MODEL		L min	L *	L max	M	N min	N *	N max
G0...-LX	mm	130	150	170	M8	90	110	130
G1...-LX	mm	130	150	170	M8	90	110	130

FLAME TUBE LENGTH

Flame tube length must be selected based on the specifications supplied by boiler manufacturer and, in any case, it must be greater than the thickness of the boiler door included its insulation. In case of boilers with flame inversion or front flue combustion chambers, it is necessary to insulate the area between the flame tube and front door with refractory material. This protection material must not impede flame tube extraction.

MODEL		TXC	TC	TL **
G0...-LX	mm	85	110	130
G1...-LX	mm	-	110	130

** For different flame lengths, please contact our Technical-Sales Department.

PRODUCT SPECIFICATION

SHORT DESCRIPTION

Light-oil burners one stage - Low NO_x (NO_x < 120 mg/kWh).

DETAILED SPECIFICATION

Light-oil burner one stage - Low NO_x (NO_x < 120 mg/kWh) composed by:

- Aluminium frame;
- Combustion head with micrometric adjustment, high flame stability and low emissions;
- Protection cover with noise reduction plate;
- Flange and insulating gasket for fixing at boiler;
- Single-phase power supply;
- Photoresistance for flame detection;
- IP 40 electric protection level.

CONFORMING TO:

- CE rules;
- 2014/30/UE Directive E.M.C.;
- 2014/35/UE Directive L.V.;
- 2014/68/EU Directive M.D.;
- 97/23/CE Directive P.E.D.;
- Reference rules: EN267 (liquid fuel) - EN746-2 (industrial thermoprocessing equipment).

STANDARD EQUIPMENT

- Flexible hoses for connection;
- Line filter;
- Isomart gasket;
- Nozzle;
- Flange with insulating gasket;
- Burner nameplate;
- Warranty;
- Instruction handbook for installation, use and maintenance.