

GAS X3/M CE-LX - GAS X4/M CE-LX

Burners for gas two stages progressive (hi-low flame) or modulating (PID fully modulating) if equipped with addition of optional modulation kit and probe.

They are composed by: fan at high pressurisation, combustion head with adjustment at high efficiency and high flame stability and protection cover with noise reduction plate.

Compact overall dimensions and disposition rationalized of the components with accessibility facilitated for the operations of setting and maintenance.

Gas train complete of one-block valve A class (1st stage slow opening + safety), minimum gas pressure switch and filter stabilizer.

Complete of flange and gasket for installation on generator.

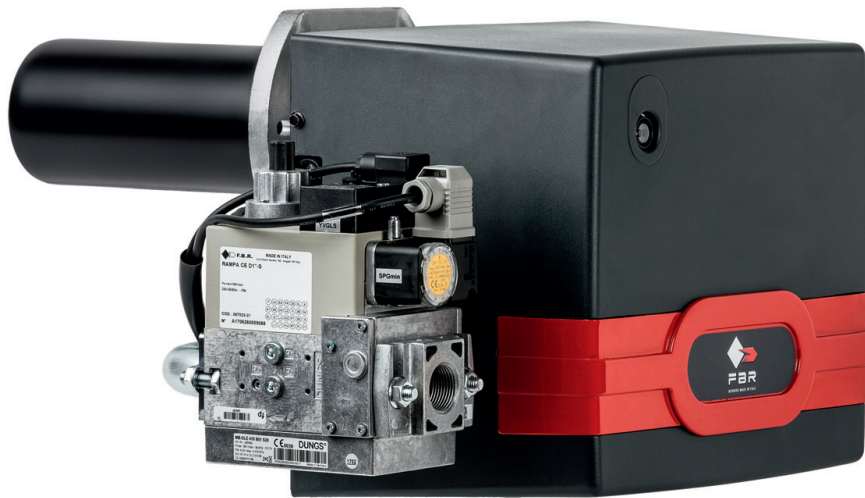


Fig. 1 GAS X3/M CE-LX



Fig. 2 GAS X4/M CE-LX

TECHNICAL DATA AND OPERATING RANGE DIAGRAM

| MODEL | | GAS X3/M CE-LX | GAS X4/M CE-LX |
|--|---|------------------------|----------------|
| Thermal power min. 1°st. / min. 2°st. - max. 2°st. * | [Mcal/h] | 34.7/60-150 | 45/90-211 |
| Thermal power min. 1°st. / min. 2°st. - max. 2°st. * | [kW] | 40.3/69.8-174 | 52/104-245 |
| Gas flow G20 (NATURAL GAS) min. 1°st. / min. 2°st. - max. 2°st. * | [Nm³/h] | 4/7-17.5 | 5.2/10.5-24.6 |
| Fuel: NATURAL GAS (second family) | | | |
| Fuel category: I2R,I2H,I2L,I2E,I2E+,I2Er,I2ELL,I2E(R)B | | | |
| NOx ** | [mg/kWh] | < 80: class 3 (EN 676) | |
| Intermittent working operation (min. 1 stop every 24 hours) two stages sliding or modulating | | | |
| Environmental conditions operation / storage: | -15...+40°C / -20...+70°C, rel. humidity max. 80% | | |
| Max. temperature combustion air | [°C] | 60 | 60 |
| Min. pressure gas train D1"-S NATURAL GAS *** | [mbar] | 15.5 | 26 |
| Min. pressure gas train D1"1/4-S NATURAL GAS *** | [mbar] | 13.5 | 19.5 |
| Min. pressure gas train D1"1/2-S NATURAL GAS *** | [mbar] | 13 | 16.5 |
| Max. pressure at the entry of valves (Pe. max) | [mbar] | 360 | 360 |
| Nominal electric power | [W] | 260 | 260 |
| Fan motor | [W] | 200 | 200 |
| Nominal motor current absorption | [A] | 1.1 | 1.1 |
| Power supply: | 1/N~230V-50Hz | | |
| Electric protection degree: | IP 40 | | |
| Noisiness **** min. - max. | [dB(A)] | 66-68 | 66-68 |
| Burner weight | [kg] | 15 | 17 |

* Reference conditions: Environment temperature 20°C - Barometric pressure 1013 mbars - Altitude 0 metre (sea level).

** To obtain this low Nox emission like in the declaration, it's necessary to couple the burner to the proper boiler for this application: boilers with 3 turns for the exhaust gas, condensing boilers and any generator with direct exhaust outlet and the thermal load isn't higher than 1,1 MW/m³.

*** Minimal feeding-gas pressure to the gas train to get the maximum power of the burner, considering counter-pressure in combustion chamber of value 0 (zero).

**** Measured sonorous pressure in the laboratory combustion, with functional burner on beta boiler to 1 metre of distance (UNI EN ISO 3746 law).

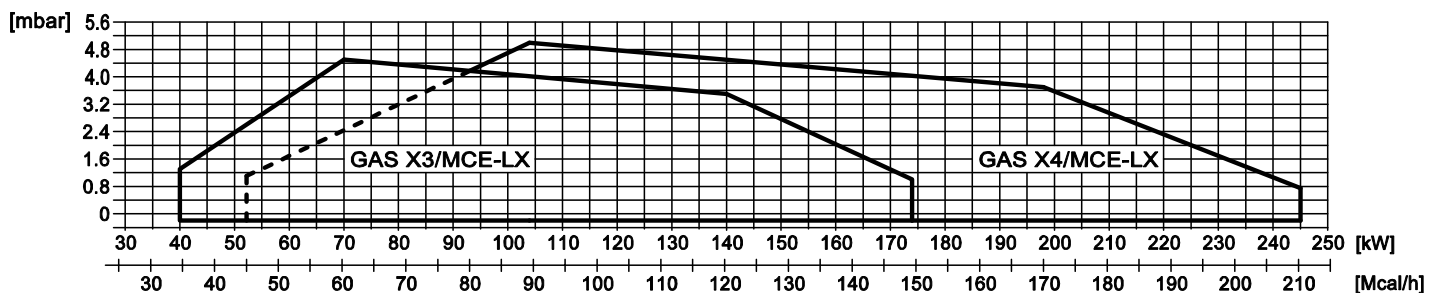


Fig. 3 X = Thermal power Y = Pression in the combustion chamber

The firing rates has been obtained based on test boilers in accordance with EN267 standards and are indicative of matching the burner to the boiler. For the correct operation of the burner, combustion chamber dimensions must be in accordance with current regulation. In case of non-compliance, contact the manufacturer.



FBR

DIMENSIONS [MM]

GAS BURNERS LOW NOX TWO STAGES PROGRESSIVE OR MODULATING



SK073033_B_en

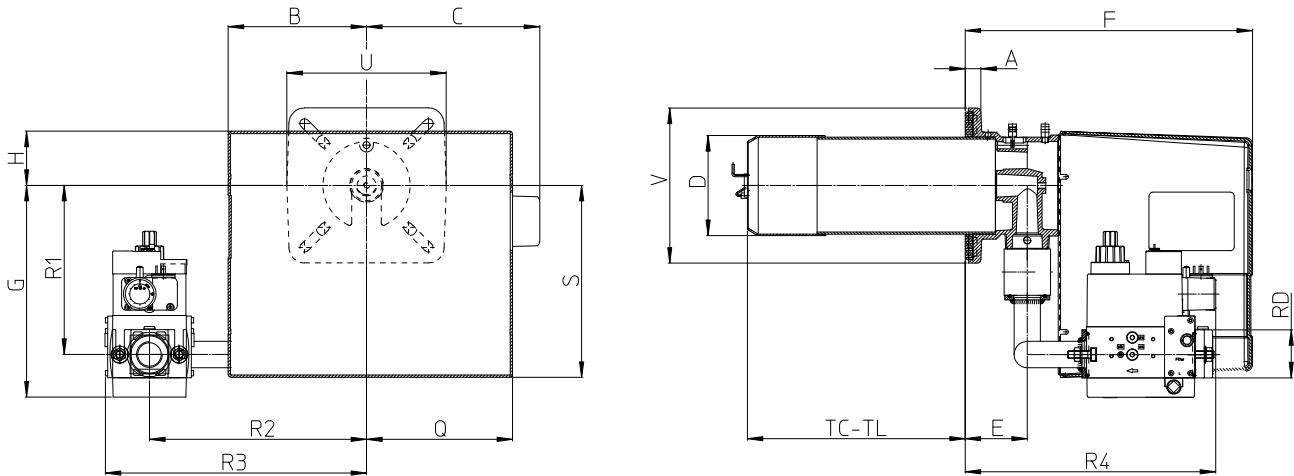
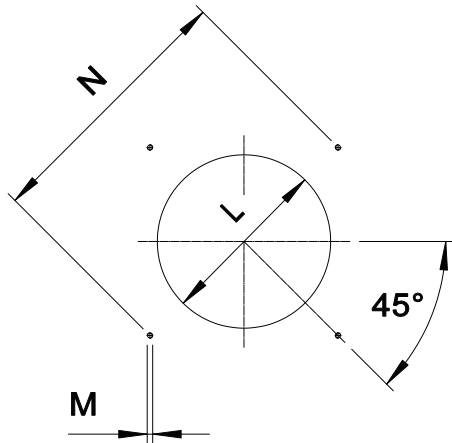


Fig. 4 Dimensions GAS X3/M CE-LX

| MODEL | A | B | C | D | E | F | G | H | Q | S | U | V | R1 | R2 | R3 | R4 | RD | Gas train weight |
|---------------------------|----|-----|-----|-----|----|-----|-----|----|-----|-----|-----|-----|-----|-----|-----|-----|----------|------------------|
| GAS X3/M CE-LX - D1"-S | 20 | 185 | 224 | 107 | 56 | 344 | 268 | 70 | 193 | 248 | 202 | 162 | 212 | 280 | 338 | 300 | Rp 1 | 5,6 kg |
| GAS X3/M CE-LX - D1"1/4-S | 20 | 185 | 224 | 107 | 56 | 344 | 268 | 70 | 193 | 248 | 202 | 162 | 212 | 280 | 338 | 300 | Rp 1 1/4 | 5,6 kg |
| GAS X3/M CE-LX - D1"1/2-S | 20 | 185 | 224 | 107 | 56 | 344 | 292 | 70 | 193 | 248 | 202 | 162 | 212 | 280 | 338 | 443 | Rp 1 1/2 | 8 kg |
| GAS X4/M CE-LX - D1"-S | 20 | 185 | 224 | 129 | 80 | 371 | 274 | 70 | 193 | 248 | 206 | 200 | 218 | 280 | 338 | 323 | Rp 1 | 5,6 kg |
| [INLINE-1:690 - D1"1/4-S | 20 | 185 | 224 | 129 | 80 | 371 | 274 | 70 | 193 | 248 | 206 | 200 | 218 | 280 | 338 | 323 | Rp 1 1/4 | 5,6 kg |
| GAS X4/M CE-LX - D1"1/2-S | 20 | 185 | 224 | 129 | 80 | 371 | 298 | 70 | 193 | 248 | 206 | 200 | 218 | 280 | 338 | 467 | Rp 1 1/2 | 8 kg |

TC-TL: see "flame tube length"



* Suggested dimension of connection between burner and generator.

Fig. 5 Boiler plate

| MODEL | | L min | L * | L max | M | N min | N * | N max |
|----------------|----|-------|-----|-------|-----|-------|-----|-------|
| GAS X3/M CE-LX | mm | 120 | 130 | 140 | M8 | 150 | 170 | 170 |
| GAS X4/M CE-LX | mm | 135 | 140 | 160 | M10 | 170 | 205 | 226 |

FLAME TUBE LENGTH

Flame tube length must be selected based on the specifications supplied by boiler manufacturer and, in any case, it must be greater than the thickness of the boiler door included its insulation.

In case of boilers with flame inversion or front flue combustion chambers, it is necessary to insulate the area between the flame tube and front door with refractory material. This protection material must not impede flame tube extraction.

| MODEL | | TC | TL ** |
|----------------|----|-----|-------|
| GAS X3/M CE-LX | mm | 130 | 250 |
| GAS X4/M CE-LX | mm | 160 | 280 |

** For different flame lengths, please contact our Technical-Sales Department.

PRODUCT SPECIFICATION

SHORT DESCRIPTION

Burners for gas two stages progressive (hi-low flame) or modulating (PID fully modulating) if equipped with addition of optional modulation kit and probe low emissions certified in conformity with CE 676 class 3 (NO_x < 80 mg/kWh).

DETAILED SPECIFICATION

Burner for gas two stages progressive (hi-low flame) or modulating (PID fully modulating) if equipped with addition of optional modulation kit and probe low emissions certified in conformity with CE 676 class 3 (NO_x < 80 mg/kWh); composed by:

- Fan at high pressurisation;
- Combustion head with adjustment at high performance and elevated flame stability equipped with inox steel blast tube and steel flame disc;
- Protection cover with noise reduction plate;
- Flange and insulating gasket for fixing at boiler;
- Single phase power supply;
- Safety air pressure switch to stop the burner in lock-out in case of failed or anomalous fan operation;
- Gas train completely assembled and tested; complete of one-block valve A class (1st stage slow opening + safety), minimum gas pressure switch and filter stabilizer;
- Ionisation probe for flame detection;
- IP 40 electric protection level;
- Spherical gas valve servo-controlled; progressive start and free way passage with total opening;
- Servomotor for air shutter and for the spherical gas valve;
- Set up for the additional specific kit that transforms burner operation as modulating i.e. the modulating kit allows to supply any power between the minimum and the maximum value based on instantaneous loading request.

CONFORMING TO:

- CE rules;
- 2014/30/UE Directive E.M.C.;
- 2014/35/UE Directive L.V.;
- 2014/68/EU Directive M.D.;
- 97/23/CE Directive P.E.D.;
- 2009/142/CE Directive GAS;
- Reference rules: EN676 (gas) - EN746-2 (industrial thermoprocessing equipment).

STANDARD EQUIPMENT

- Isomart gasket;
- Flange with insulating gasket;
- Burner nameplate;
- Warranty;
- Instruction handbook for installation, use and maintenance.

OPTIONAL

- Power modulating kits for temperatures;
- Power modulating kits for pressures;
- Temperature probe 0°C-400°C (PT 100 a 0° C);
- Temperature probe 0°C-1200°C (K probe);
- Pressure probe 0-3 bar, 0-6 bar, 0-16 bar, 0-20 bar, 0-30 bar;
- Antivibration couplings;
- Handle gas taps.