

GB Forced draught gas burner
F Brûleur gaz à air soufflé

One stage operation
Fonctionnement à 1 allure



RDB

CODE	MODEL - MODÈLE	TYPE
3768000	RDBS1	960T

INDEX

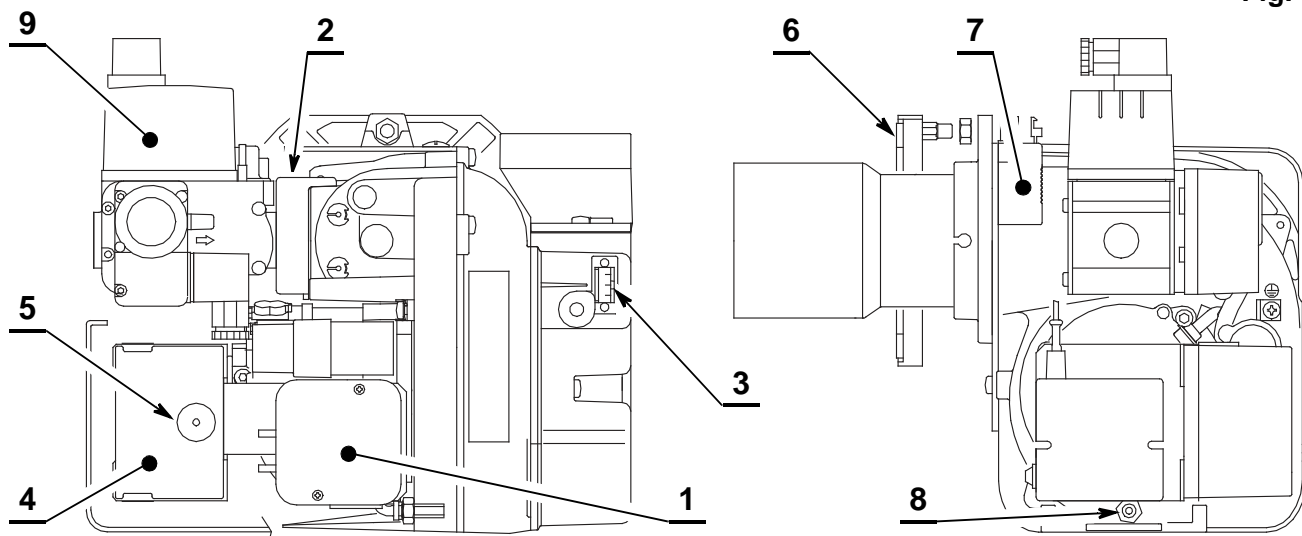
1. BURNER DESCRIPTION	1	4. OPERATION	9
1.1 Burner equipment	1	4.1 Combustion adjustment	9
1.2 Accessory	1	4.2 Combustion head setting	9
2. TECHNICAL DATA	2	4.3 Air dampers adjustment	9
2.1 Technical data	2	4.4 Combustion check	10
2.2 Overall dimensions	2	4.5 Air pressure test point	11
2.3 Firing rate	3	4.6 Air pressure switch	11
3. INSTALLATION	4	4.7 Burner start-up cycle	11
3.1 Boiler fixing	4	5. MAINTENANCE	12
3.2 Burner assembly	4	6. FAULTS / SOLUTIONS	13
3.3 Gas supply line	5	6.1 Operating fault diagnostics	15
3.4 Gas train	6		
3.5 Electrical wiring	8		
3.6 Probe-electrode positioning	9		

1. BURNER DESCRIPTION

One stage gas burner.

- The burner meets protection level of IP 40, EN 60529.
- CE marking according to Gas Appliance directive 90/396/EEC; PIN **0085BM0490**.
- According to Directives: EMC 2004/108/EC, Low Voltage 2006/95/EC and Machines 2006/42/EC.
- Gas train according to EN 676.

Fig. 1



D4193

- | | | |
|-----------------------------|-------------------------------------|-----------------------------|
| 1 – Air pressure switch | 4 – Control box | 7 – 4 pole supply socket |
| 2 – Gas pressure test point | 5 – Reset button with lock-out lamp | 8 – Air pressure test point |
| 3 – Air damper adjustment | 6 – Flange with insulating gasket | 9 – Gas train |

1.1 BURNER EQUIPMENT

Flange with insulating gasket	No. 1	90° manual gate valve	No. 1
4 pin plug	No. 1	Tube 1/2"	No. 1
Screws and nuts for flange to be fixed to boiler.	No. 4	Flange 90°	No. 1
Protection grill for CF applications	No. 1	Air intake	No. 1

1.2 ACCESSORY

KIT (PC INTERFACE KIT): code 3002719

2. TECHNICAL DATA

2.1 TECHNICAL DATA

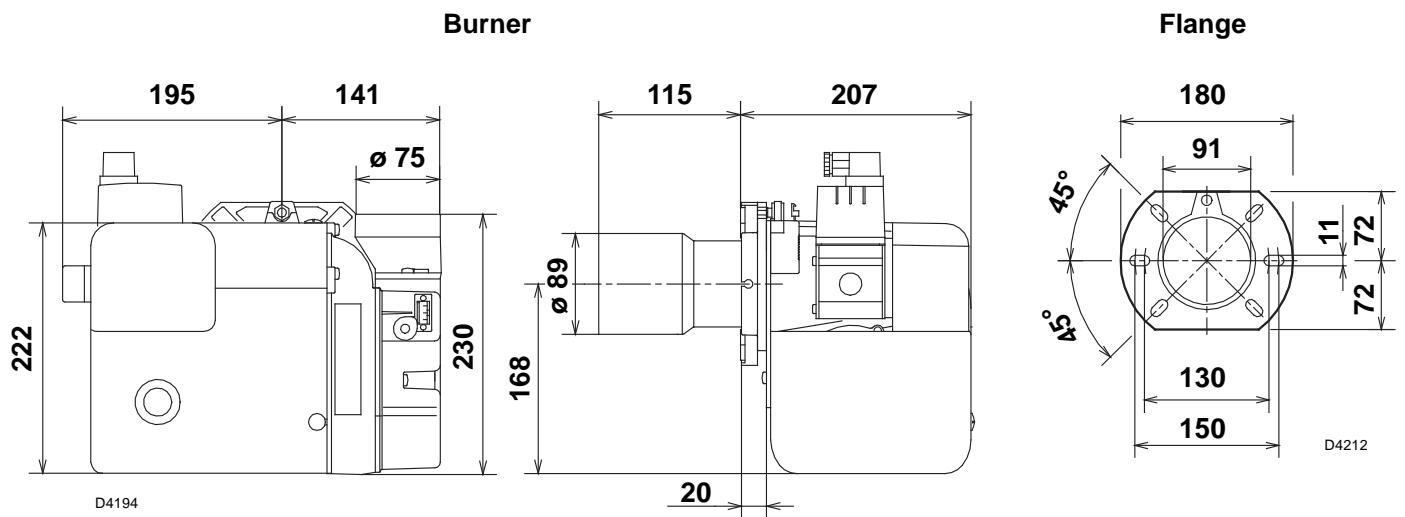
Type	960T
Thermal power (1)	16 – 47 kW – 13,760 – 40,420 kcal/h
Natural gas (Family 2)	Net heat value: 8 – 12 kWh/Nm ³ = 7000 – 10,340 kcal/Nm ³
	Pressure: min. 20 mbar – max. 65 mbar
Electrical supply	Single phase, ~ 50Hz 230V ± 10%
Motor	Run current 0.75 A - 2800 rpm - 294 rad/s
Capacitor	2 µF
Ignition transformer	Primary 220-240V – 50-60Hz – Secondary 15 kV - 25 mA
Absorbed electrical power	0,09 kW
(1) Reference conditions: Temp. 20°C - Barometric pressure 1013 mbar – Altitude 0 m above sea level.	

Tab. A

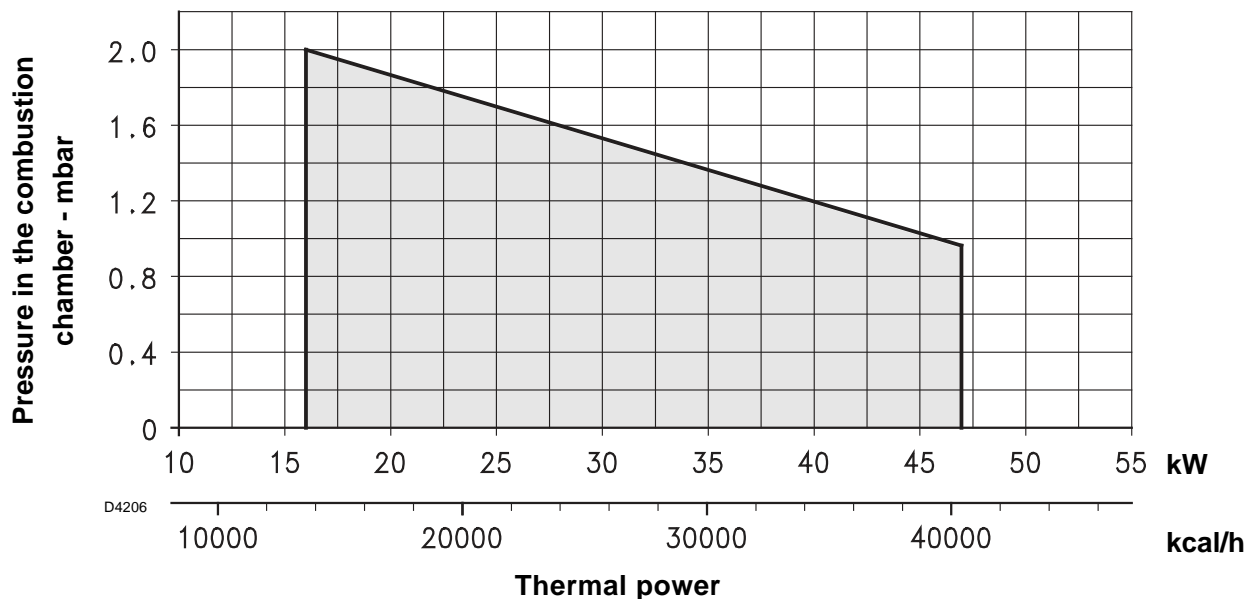
For gas family 3 (LPG) ask for separate kit.

COUNTRY		AT - DK - IT - GR - SE	GB - IE - ES - PT	DE	FR	NL	LU - PL
GAS CATEGORY		I12H3B/P	I12H3P	I12ELL3B/P	I12Er3P	I12L3B/P	I12E3B/P
GAS PRESSURE	G20 H	20	20	–	–	–	20
	G25 L	–	–	20	–	25	–
	G20 E	–	–	20	20/25	–	–

2.2 OVERALL DIMENSIONS



2.3 FIRING RATE (as EN 676)



TEST BOILER

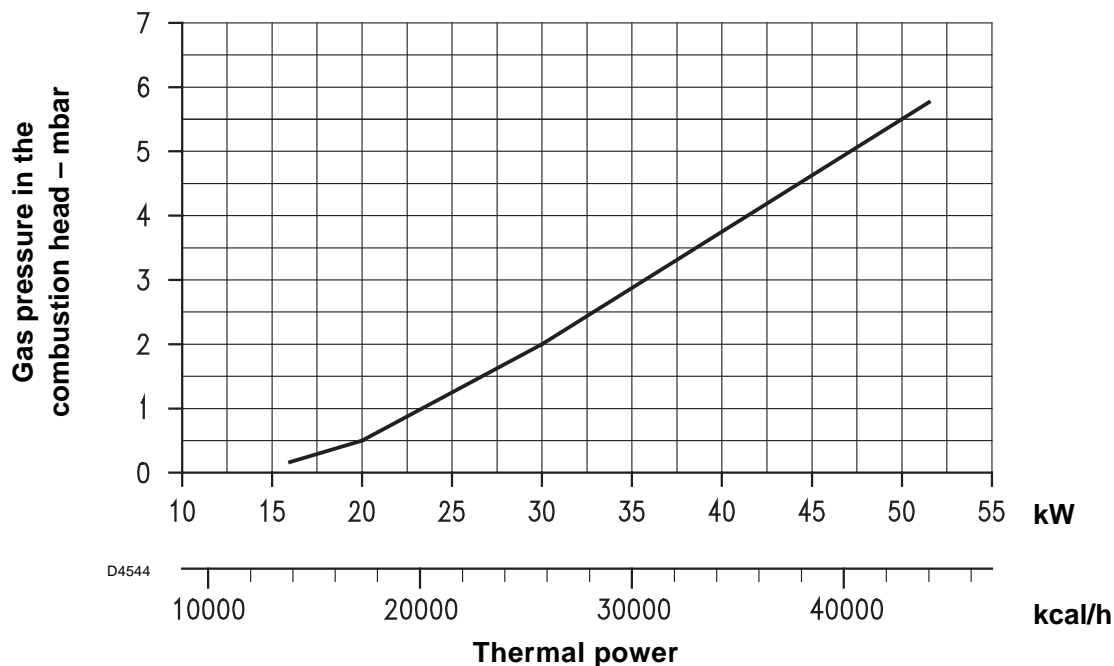
The firing rate has been defined according to EN 676 standard.

COMMERCIAL BOILERS

The burner-boiler matching is assured if the boiler is according to EN 303 and the combustion chamber dimensions are similar to those shown in the diagram EN 676. For applications where the boiler is not according to EN 303, or where the combustion chamber dimensions differ from those shown in EN 676, please consult the manufacturers.

CORRELATION BETWEEN GAS PRESSURE AND BURNER OUTPUT

To obtain the maximum output, a gas head pressure of 5.75 mbar is measured (**M3**, see chapter 3.3, page 6) with the combustion chamber at 0 mbar using gas G20 with a net heat value of 10 kWh/Nm³ (8,570 kcal/Nm³).



3. INSTALLATION

THE BURNER MUST BE INSTALLED IN CONFORMITY WITH LEGISLATION AND LOCAL STANDARDS.

3.1 BOILER FIXING

- ▶ Put on the flange (1) the screw and two nuts, (see fig. 2).
- ▶ Fix the flange (1) to the boiler door (4) using screws (2) and (if necessary) the nuts (3) interposing the insulating gasket (5), (see fig. 3).

Fig. 2

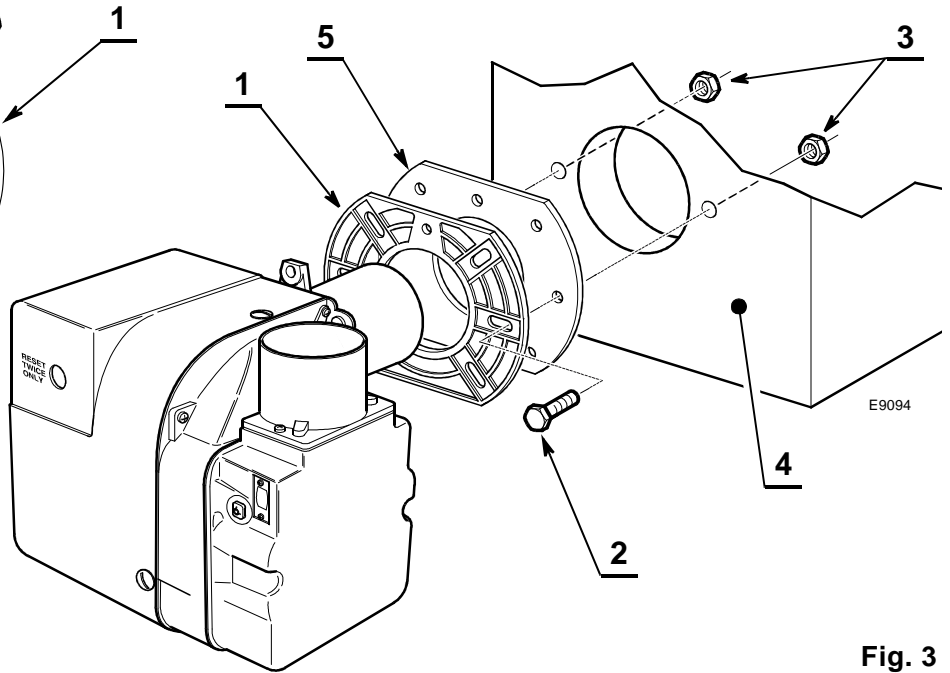
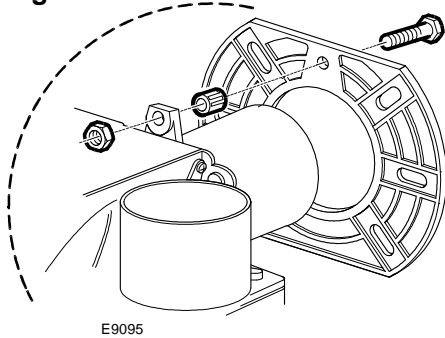


Fig. 3

3.2 BURNER ASSEMBLY

CF APPLICATION

In case of **CF** applications, the burner shall not operate without protection **(A)** of the suction inlet.

BF APPLICATION

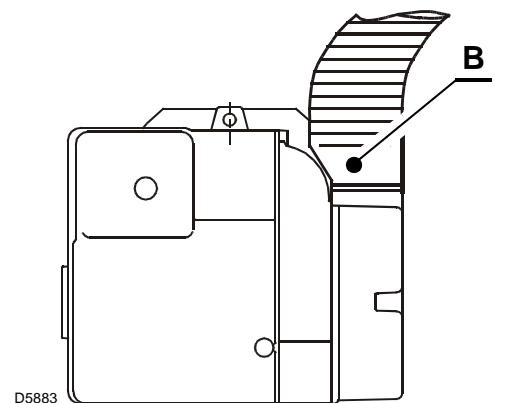
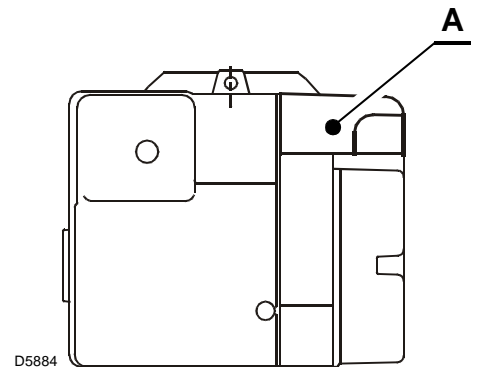
FOR CORRECT BF APPLICATION, THE BURNER MUST BE INSTALLED ON AN APPROPRIATE BF BOILER.

In case of **BF** applications an optional snorkel and gasket are available replacing **(A)** with **(B)**. This item can be supplied separately.

The combustion air supply is through a flexible or rigid pipe connected to the air intake.

Consequently, you must comply with the following requirements and instructions:

- ▶ The combustion air intake tube must be:
 - fastened securely to the burner;
 - made of a suitable material, with temperature characteristics in the range - 30 °C to 80 °C;
 - in compliance with all requirements of applicable regulations in force in the country of destination.

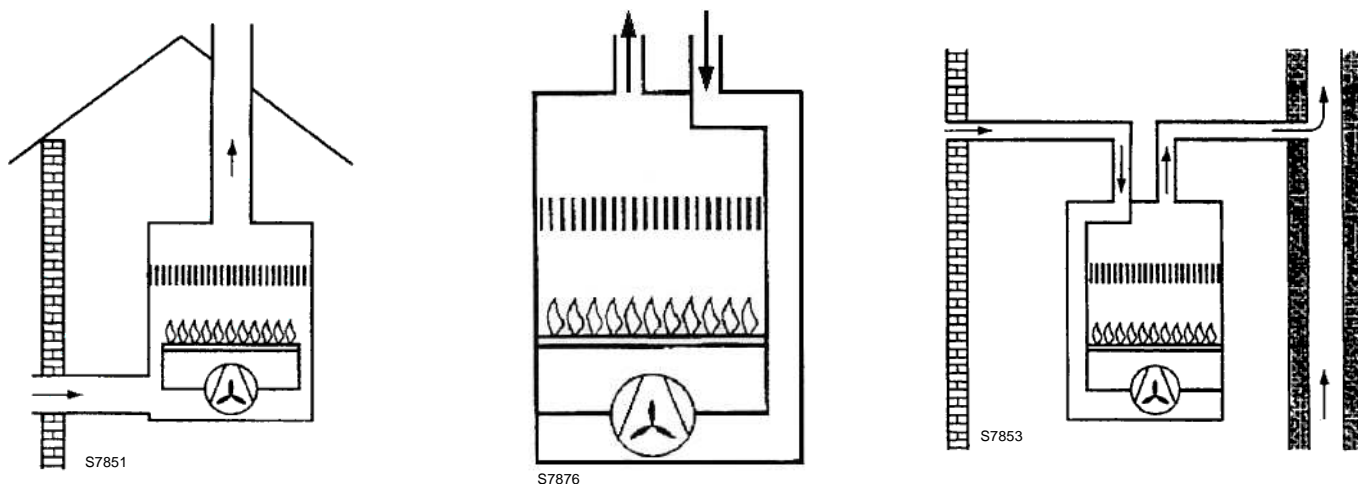


- The intake-tube / burner system must not allow a loss of over 2 m³/h at 0.5 mbar: for instance, the above requirements will be met if you use flues for pressure exhaust of flue gases (the condensation kind).
- Make sure the air intake tube's inlet is positioned so that it is not likely to be obstructed by foreign matter and, where necessary, use suitable screens.
- The temperature of the incoming air must not exceed 40 °C;
- The inside diameter of the hose must be at least 80 mm.
- The intake tube can be up to 6 metres in length.
Warning: length is reduced if there are bends in the intake section.
 For instance, using a tube with a smooth inside surface, you must allow for the following losses:
 - for each 45° bend, tube length is reduced by 0.5 m;
 - for each 90° bend, tube length is reduced by 0.8 m.

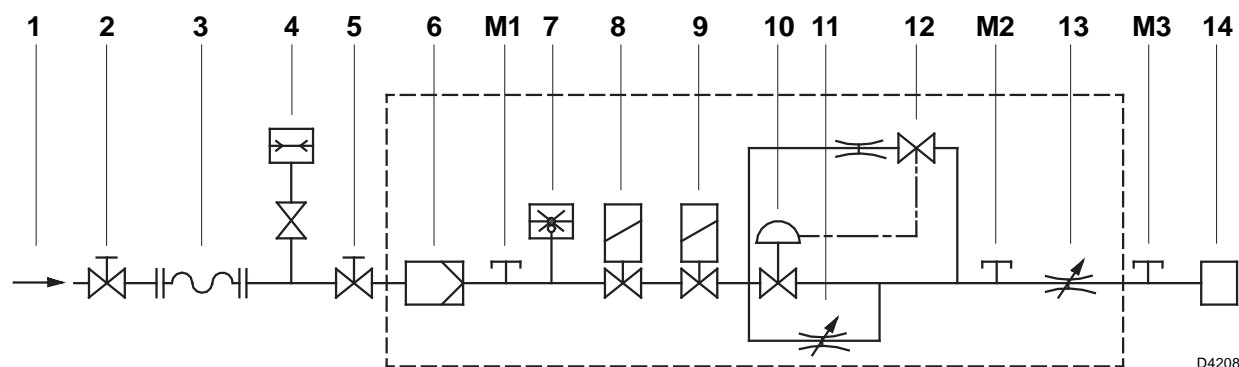
BURNER INSTALLATION MUST COMPLY WITH ONE OF THE INSTALLATIONS ILLUSTRATED IN THE FIGURES BELOW.

ATTENTION

- Under no circumstances should the air's entry in the hose intake area be obstructed.
- The hose must not be blocked in any way or feature a shutting device (valves, membranes etc.).
- Coaxial tubes must not be installed for any reason.



3.3 GAS SUPPLY LINE



3.4 GAS TRAIN (as EN 676)

Type	MBDLE 055 D01
Use	Natural gas and LPG

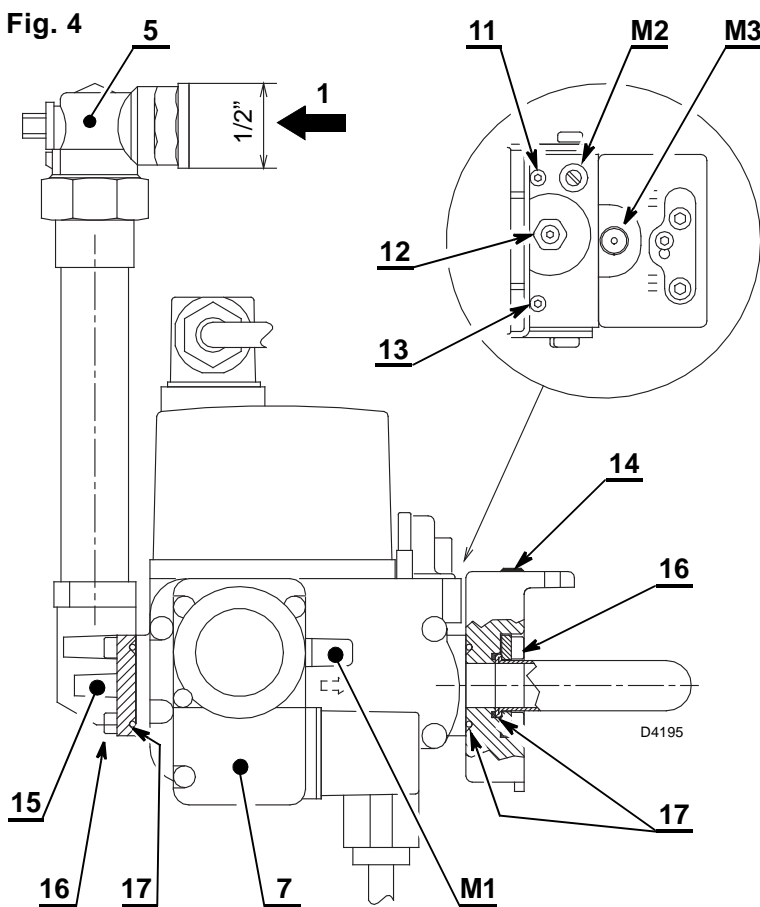
COMPONENTS

The multibloc is composed by:

- 1 - Filter
- 1 - Gas pressure switch
- 1 - Pressure stabilizer
- 2 - Solenoid valves:
 - safety valve with fast opening.
 - adjusting valve with slow opening.

KEY TO LAY-OUT

- 1 - Gas supply pipe
- 2 - Manual cock
(Supplied by the installer)
- 3 - Antivibration joint
(Supplied by the installer)
- 4 - Gas pressure gauge
(Supplied by the installer)
- 5 - 90° manual gate valve
(supplied standard)
- 6 - Filter
- 7 - Gas pressure switch
- 8 - Safety valve
- 9 - Adjusting valve
- 10 - Pressure stabilizer
- 11 - Brake adjustment
- 12 - Stabiliser adjustment
- 13 - Valve adjustment
- 14 - Valve - burner adaptor
- 15 - Flange 90°
- 16 - Flange fixing screws
- 17 - Sealing rings
- M1 - Gas-supply pressure test point
- M2 - Test point for measuring pressure after stabilising
- M3 - Pressure coupling test point



GAS TRAIN PRESSURE LOSS

The gas train pressure loss Δp is provided from the diagram; the scales of the volumetric output \dot{V} are valid respectively for:

- a** = air,
- n** = natural gas (G20),
- p** = propane (G30),
- c** = city gas (G140), only for applications not covered by the Gas Appliances Directive.

The value indicated in the diagram will differ according to the adjustment of the pressure stabilizer.

The minimum necessary pressure in the network can be obtained by adding the pressure of the diagram to the burner pressure losses and the back pressure of the combustion chamber (see the technical instruction of the heat generator).

FILTER MAINTENANCE

If necessary the filter can be replaced; **for this operation you must call the service agent.**

PRESSURE STABILIZER ADJUSTMENT

By rotating the pressure regulator adjustment screw clockwise, the gas head pressure & thus output increases. Anti-clockwise reduces the pressure & output.

VALVE ADJUSTMENTS

The slow opening of the valve providing reduced ignition gas is adjusted by turning the screw (11, fig. 4 page 6) anti-clockwise to increase the start gas quantity & clockwise to decrease it. It is possible to set the valve to give an ignition gas rate of 80% of the maximum, however to ensure smooth ignition, we would recommend that this value is kept to a minimum value but that allows reliable operation. The introduction of the main gas output is achieved through the valve continuing to open slowly once ignition has been achieved. The main gas throughput is set by adjusting the screw (13, fig. 4 page 6) anti-clockwise to increase rate & clockwise to decrease.

LOW GAS PRESSURE SWITCH ADJUSTMENT

Adjust the gas pressure switch (7, fig. 4 page 6) after carrying out all the other adjustments of the burner with the gas pressure switch adjusted at the beginning of the scale.

Let the burner work at the required output. Slowly start to close the gas isolation valve on the gas supply manifold reducing the pressure by 5 - 6 mbar from that recorded as the normal working gas pressure measured on your pressure gauge. Rotate the dial on the pressure switch until the dial reads just below the reduced value now showing on your pressure gauge, the burner should shut down. Open up the isolation valve & check that the burner starts & runs correctly.

INITIAL ADJUSTMENT OF THE GAS VALVE

ADJUSTMENT OF THE START GAS FLOW

(11, fig. 4 page 6)

Rotate the screw (11) clockwise until a resistance is felt. Rotate the screw anticlockwise for 7 turns. This is an initial setting and may require adjusting for different outputs.

ADJUSTMENT OF THE MAIN FLOW RESTRICTOR (13, fig. 4 page 6)

Rotate the screw (13) clockwise until a resistance is felt. Rotate the screw anticlockwise for three turns. This is an initial setting for the burner to fire and will require adjusting for different outputs.

PRESSURE GOVERNOR (12, fig. 4 page 6)

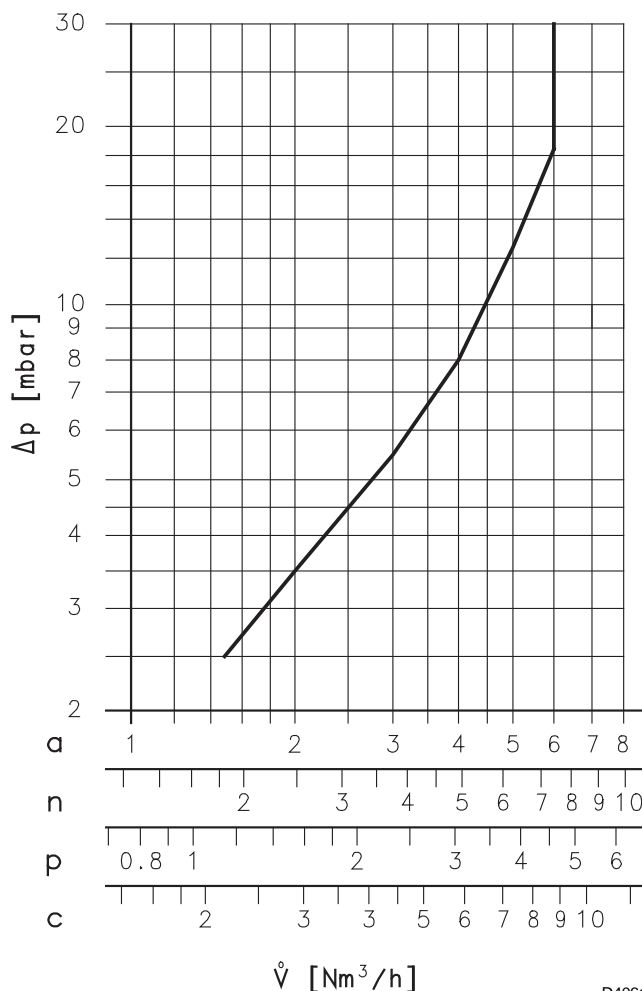
Rotate the screw (12) anticlockwise until you hear the click at the end of a full rotation at this point. Rotate the screw clockwise by **12 turns** this will set the governor at a mid position from where adjustments to the through put can be made.

GAS PRESSURE (M3, fig. 4 page 6)

The gas head pressure is measured at the pressure test point (M3).

AIR DAMPER ADJUSTMENT

The air is adjusted by turning the screw (3, fig. 6, page 10).



D4061

3.5 ELECTRICAL WIRING

WARNING

DO NOT EXCHANGE NEUTRAL WITH PHASE

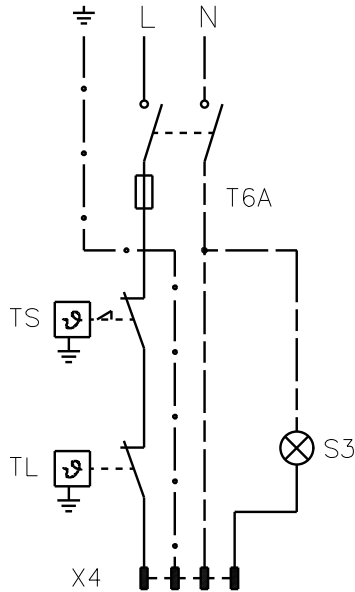
NOTES:

- Wires of min. 1 mm² section.
(Unless requested otherwise by local standards and legislation).
- The electrical wiring carried out by the installer must be in compliance with the rules in force in the country.

TESTING:

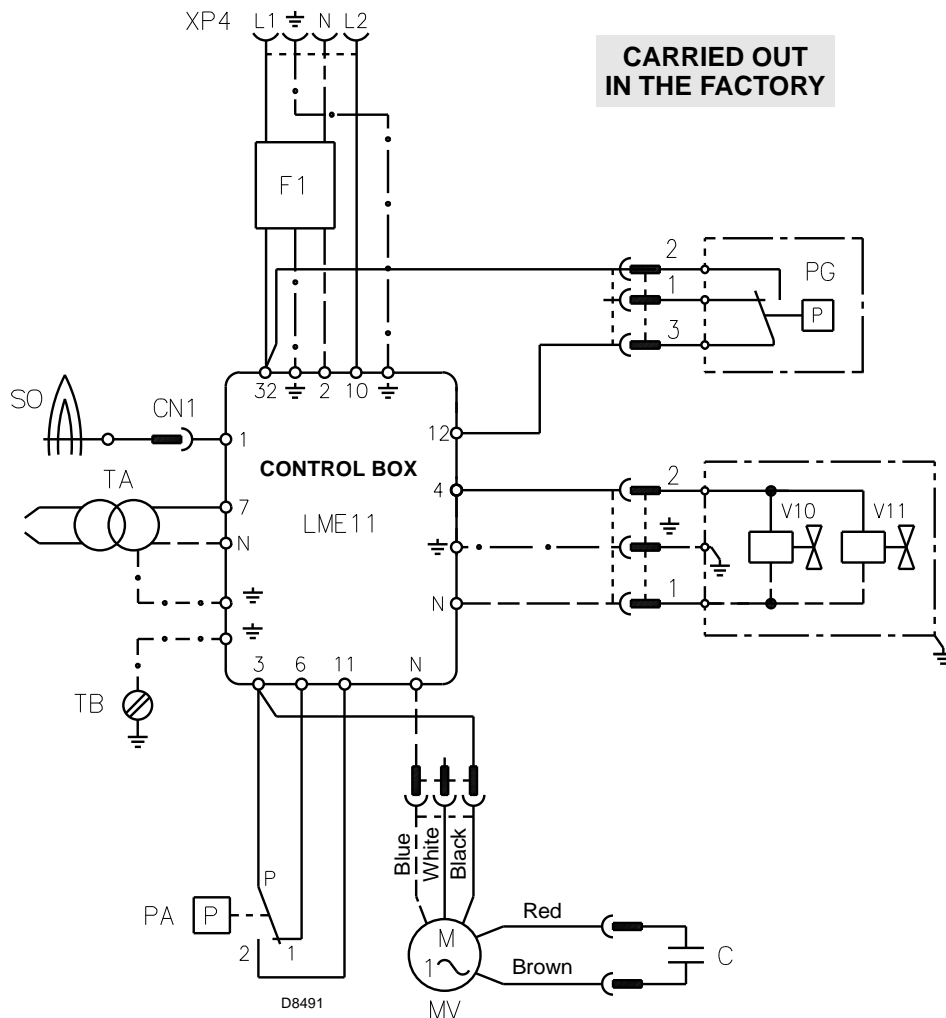
Check that the burner shuts down when the boiler thermostat contacts open. Also check that the burner locks out when the connector (CN1) fitted in the red probe lead is disconnected.

~ 50Hz - 230V



TO BE DONE BY THE INSTALLER

CARRIED OUT IN THE FACTORY

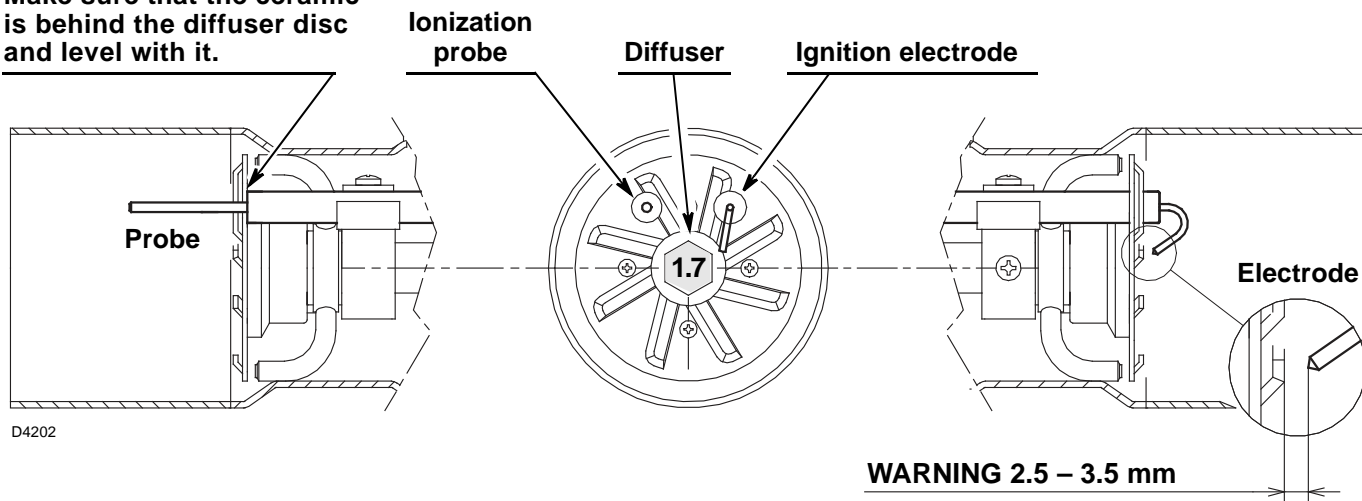


KEY TO LAY-OUT

- C - Capacitor
- CN1 - Connector
- F1 - Suppressor
- MV - Motor
- PA - Air pressure switch
- PG - Min. gas pressure switch
- S3 - Remote lock-out signal (230V - 0.5A max.)
- SO - Ionization probe
- T6A - Fuse
- TA - Ignition transformer
- TB - Burner earth
- TL - Limit thermostat
- TS - Safety thermostat
- V10 - Safety valve
- V11 - Adjusting valve
- X4 - 4 pin plug
- XP4 - 4 pole socket

3.6 PROBE-ELECTRODE POSITIONING

Make sure that the ceramic is behind the diffuser disc and level with it.



4. OPERATION

4.1 COMBUSTION ADJUSTMENT

In conformity with Efficiency Directive 92/42/EEC the application of the burner on the boiler, adjustment and testing must be carried out observing the instruction manual of the boiler, including verification of the CO and CO₂ concentration in the flue gases, their temperatures and the average temperature of the water in the boiler.

To suit the required appliance output, choose the proper setting of the combustion head, and the main air damper opening in accordance with the following table.

Burner thermal power	Combustion head setting	Main air damper setting
	Position	Position
16 – 26 kW	1	1
26 – 47 kW	2	2

4.2 COMBUSTION HEAD SETTING (see fig. 5)

The combustion head setting must be carried out by the installer, and set as indicated in the table above.

To set the position of the head, proceed as follows: remove screw (2) and release screws (1) position the combustion head / gas valve assembly (C) to either set point 1 or 2. Tighten screws (1) and refit screw (2).

The combustion head leaves the factory preset to position (2).

4.3 AIR DAMPERS SETTING (see fig. 6, page 10)

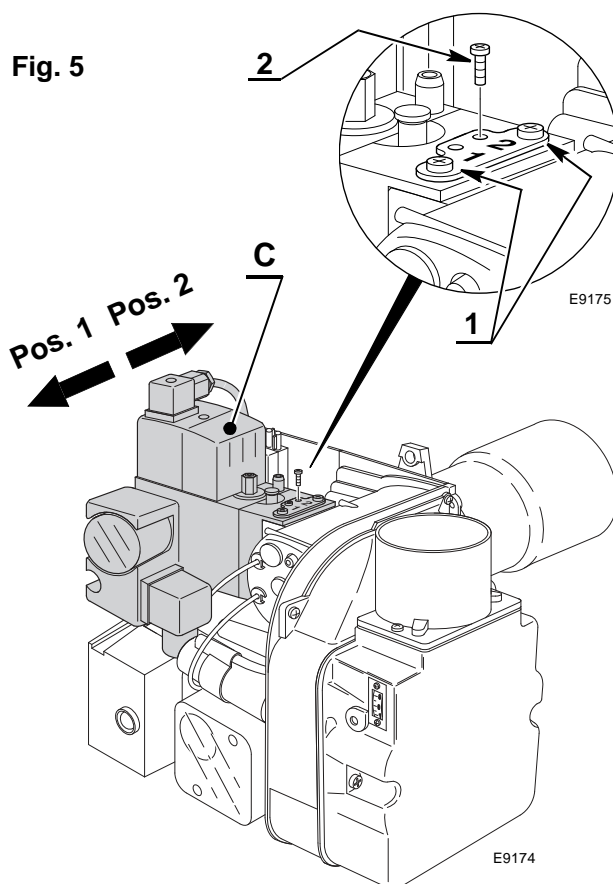
The air setting is performed by mean of two independent dampers.

■ MAIN AIR DAMPER (A)

The main air damper can be set in either of two positions.

To set the positions of the damper, proceed as follows: release the secondary air damper (B) losing the screws (1).

Loosen the screw (2) and rotate the main air damper (A) to the required position 1 or 2. Retighten the screw (2) and put back the secondary air damper (B). **The main air damper is factory preset to position 2.**

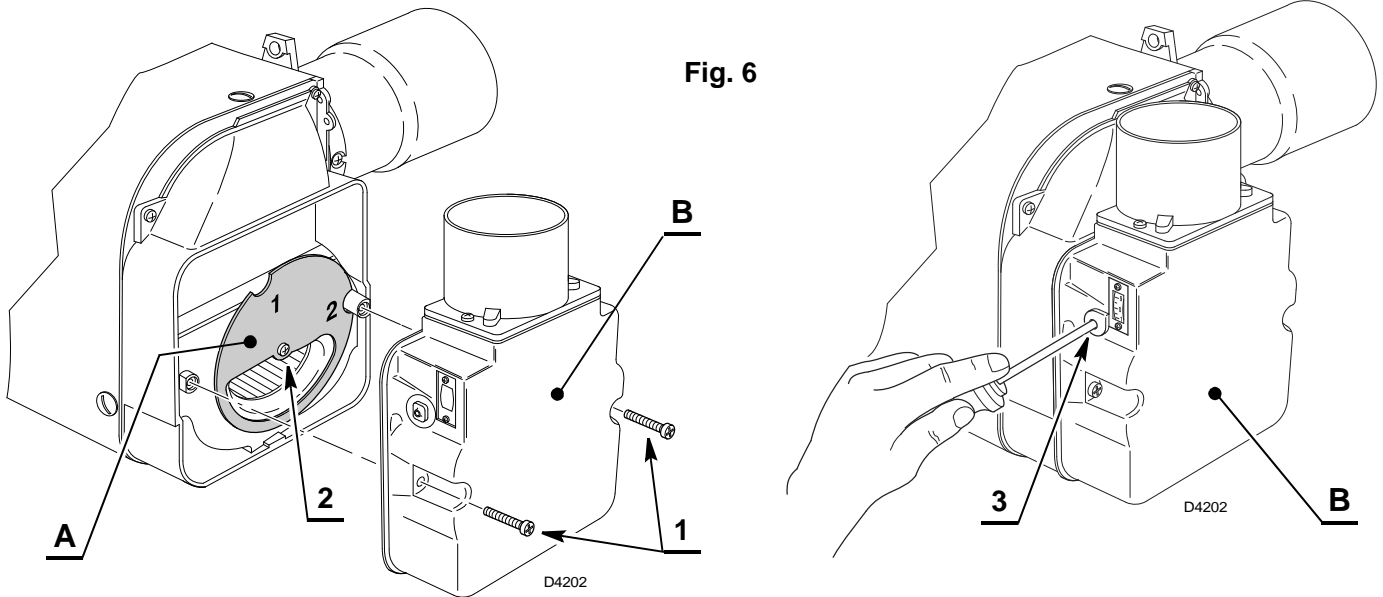


■ SECONDARY AIR DAMPER (B)

The purpose of this damper is to perform a fine-tuning of the inlet air. Tuning of this device is possible acting of the screw (3).

Main air damper assembly (A)

Secondary air damper (B)



4.4 COMBUSTION CHECK

It is advisable to set the burner according to the type of gas used and following the indications of the table:

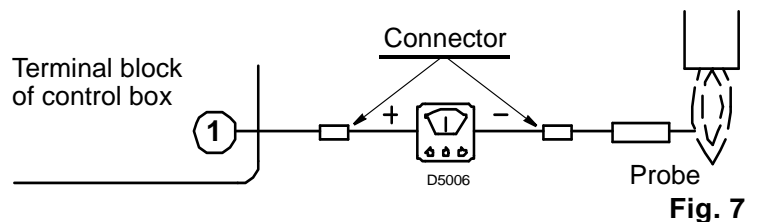
EN 676		AIR EXCESS: max. output $\lambda \leq 1.2$ – min. output $\lambda \leq 1.3$			
GAS	Theoretical max. CO ₂ 0% O ₂	Setting CO ₂ %		CO mg/kWh	NO _x mg/kWh
		$\lambda = 1.2$	$\lambda = 1.3$		
G 20	11.7	9.7	9.0	≤ 100	≤ 170
G 25	11.5	9.5	8.8	≤ 100	≤ 170
G 30	14.0	11.6	10.7	≤ 100	≤ 230
G 31	13.7	11.4	10.5	≤ 100	≤ 230

IONIZATION CURRENT, (see fig. 7)

The minimum current necessary for the control box operation is 5 μ A.

The burner normally supplies a higher current value, so that no check is needed.

To measure the ionization current, open the connector **CN1** (see electrical scheme page 8) & insert your microammeter.



4.5 AIR PRESSURE TEST POINT

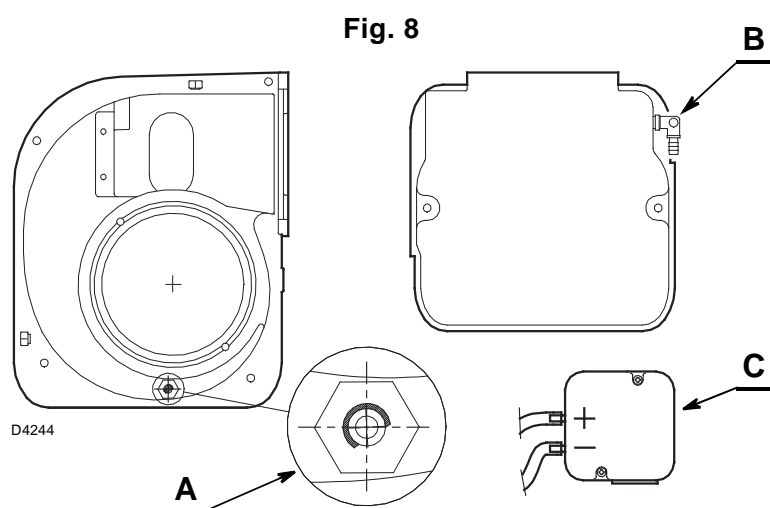
ATTENTION

Should the air pressure test point device (A) come loose by accident, you are advised to turn it to the correct position as illustrated in figure 8.

- Connect air pressure test point (A) to the pressure switch (C) inlet (-).
- Connect air pressure test point (B) to the pressure switch (C) inlet (+).

NOTE

There is a gauged diaphragm inside the pipes, located near the air pressure test points. If pipes are replaced, reuse the above-mentioned diaphragms.



4.6 AIR PRESSURE SWITCH

Adjust the air pressure switch after having performed all other burner adjustments starting with the air pressure switch set to the start of the scale. With the burner operating at the required power, slowly turn knob clockwise until burner locks out. Then turn the knob anti-clockwise by about 20% of the set point and subsequently check to see if burner has started correctly. If the burner locks out again, turn the knob anti-clockwise a little bit more, then obstruct the air intake and make sure the unit locks out.

NOTE

With the burner operating at minimum output, the pressure switch must be adjusted to 5 mbar and you must obstruct the air intake and make sure the unit locks out.

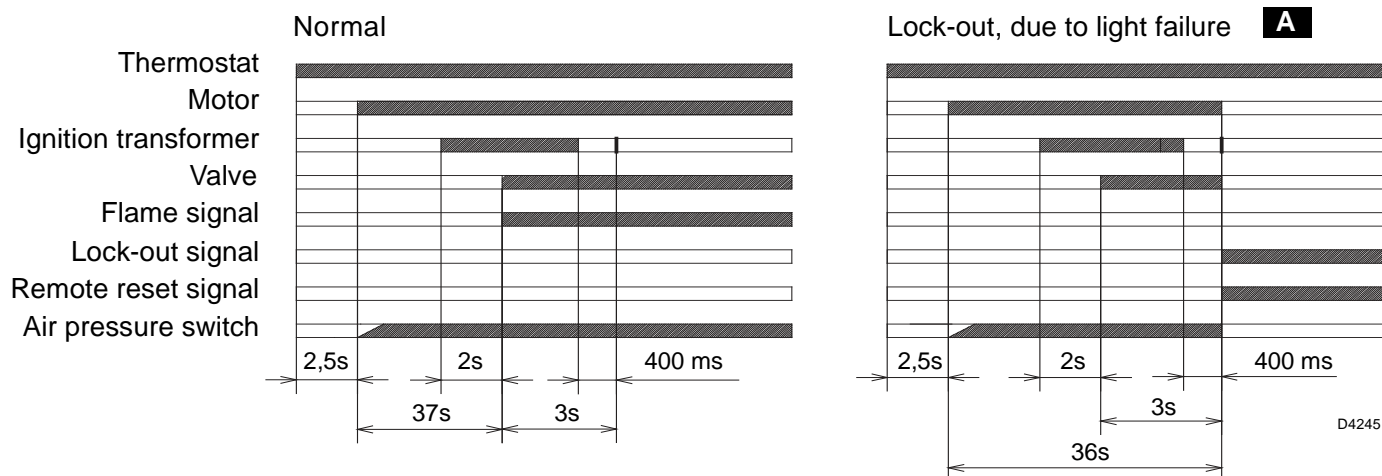
Attention

As a rule, the air pressure switch must prevent the air pressure from lowering below 80% of the adjustment value as well as preventing CO from forming in the flue gases.

Typical normal operating values would be below 100 ppm. However to check the operation of the air pressure switch, the air intake can be slowly blocked off until the burner locks out. The CO concentration in the flue gases must not exceed (1%) 10,000 ppm.

To check this, insert a combustion analyser into the chimney, slowly close the fan suction inlet (for example with cardboard) and check that the burner locks out, before the CO in the fumes exceeds 1%.

4.7 BURNER START-UP CYCLE



A Lock-out is indicated by a lamp on the control box (5, fig. 1, page 1).

When the flame-failure occurs during working, shut down takes place within one second.

5. MAINTENANCE

Notes on safety for the maintenance

The periodic maintenance is essential for the good operation, safety, yield and duration of the burner. It allows you to reduce consumption and polluting emissions and to keep the product in a reliable state over time.



The maintenance interventions and the calibration of the burner must only be carried out by qualified, authorised personnel, in accordance with the contents of this manual and in compliance with the standards and regulations of current laws.

Before carrying out any maintenance, cleaning or checking operations:

- Disconnect the electrical supply from the burner by means of the main system switch.
- Close the fuel interception tap.
- Wait for the components in contact with heat sources to cool down completely.

THE BASIC CHECKS ARE:

Leave the burner working without interruptions for 10 min. set correctly all the components stated in this manual.

Then carry out a combustion check verifying:

- Content of CO₂ (%)
- Content of CO (ppm)
- Flue gas temperatures.

6. FAULTS / SOLUTIONS

Below are some examples of causes & possible solutions that could result in the burner failing to operate or that result in it working incorrectly. A fault usually makes the lock-out lamp light which is situated inside the reset button of the control box (5, fig. 1, page 1). When lock out lamp lights the burner will attempt to light only after pushing the reset button. After this if the burner functions correctly, the lock-out can be attributed to a temporary fault. If however the lock out continues the cause must be determined and the solution found.

BURNER STARTING DIFFICULTIES

FAULTS	POSSIBLE CAUSES	SOLUTION
The burner will not start when the adjustment thermostat closes.	Lack of electrical supply.	Check presence of voltage in the L1-N clamps of the 4 pin plug.
		Check the condition of the fuses.
		Check that the boiler high limit thermostat has not operated.
	Lack of gas.	Check that the manual gas isolation valve is open.
		Check that the burner gas valves are wired correctly & that they are opening & passing gas once energized (Verify this by using your gas pressure gauge).
	The gas pressure switch does not close its contact.	Adjust the gas pressure switch to its correct setting.
The connections in the control box are wrongly inserted.	Check and connect all the plugs.	
The air pressure switch contact is in the run position when the burner is at rest.	Replace the air pressure switch.	
The burner runs normally in the prepurge and ignition cycle and locks out after about 3 seconds.	Phase and neutral connection is inverted.	Connect them correctly.
	Check that the burner earth connections are well made.	Connect them correctly.
	The ionization probe is earthed or not in contact with the flame, or its wiring to the control box is broken, or there is a fault on its insulation to the earth.	Check the right position and if necessary set it according to the instructions of this manual.
		Reset the electrical connection.
Replace the faulty connection.		
The burner starts with an ignition delay.	The ignition electrodes is wrongly positioned.	Adjust it according to the instructions of this manual.
	The air setting is too high for the burner output.	Set the air output according to the instructions of this manual.
	The start gas is insufficient.	Increase the start gas volume.
The burner locks out after the prepurge phase due to flame-failure.	The solenoid valves is passing too little gas.	Check the supply pressure from the network & adjust the gas multibloc valve according to the instructions.
	The solenoid valves are defective.	Replace the valve bloc.
	The ignition arc is irregular or has failed.	Check the right insertion of the connectors.
		Check the right position of the electrode according to the instructions of this manual.
The gas supply pipe and/or the valve bloc has not been purged of air.	Purge the air in accordance with the gas safety in use regulations.	

FAULTS	POSSIBLE CAUSES	SOLUTION
<p>The burner locks out during the prepurge phase.</p>	<p>The air pressure switch does not change over to the operational position.</p>	<p>The pressure switch is faulty, change it.</p>
		<p>The developed air pressure is too low, check the burner head setting.</p>
	<p>The flame exists.</p>	<p>Faulty valves: replace them.</p>
	<p>The pressure test point (8, fig. 1, page 1) is badly positioned.</p>	<p>Place it in the right position according to the instructions of this manual on page 1, chapter 1.</p>
<p>The burner continues to repeat the starting cycle without going on lock-out.</p>	<p>The pressure in the gas supply is close to the setting of the pressure switch. When the valve opens the pressure in the supply drops & the gas pressure switch stops the burner working. Once the burner valve closes the pressure in the supply increases & makes the pressure switch again, and the cycle continues.</p>	<p>Set the pressure switch according to the manual.</p>

Tab. B

6.1 OPERATING FAULT DIAGNOSTICS

The control box has a self-diagnostic system, which easily allows identifying the operating faults (**RED LED** signal). To use this function, wait at least ten seconds from the safety lock out, and then press the reset button for a minimum of 3 seconds. After releasing the button, the RED LED starts flashing as shown in the diagram below.



The LED gives of a blink code every 3 seconds.
The blink codes give the information about the possible faults, as follows:

BLINK CODE	POSSIBLE CAUSE
2 blinks ● ●	The flame does not stabilize at the end of the safety time: – faulty or soiled ionization probe; – faulty or soiled fuel valves; – neutral/phase exchange; – poor burner regulation.
3 blinks ● ● ●	Minimum air pressure switch does not close: – air pressure switch faulty; – air pressure switch incorrectly regulated; – fan motor does not run.
4 blinks ● ● ● ●	Extraneous light during pre-purging, or control box faulty.
5 blinks ● ● ● ● ●	Minimum air pressure switch does not open: – air pressure switch faulty; – air pressure switch incorrectly adjusted.
7 blinks ● ● ● ● ● ● ●	Loss of flame during operation: – poor burner regulation; – faulty or soiled fuel valves; – short circuit between ionization probe and earth.
10 blinks ● ● ● ● ● ● ● ● ● ●	Control box faulty.

Tab. C

SOMMAIRE

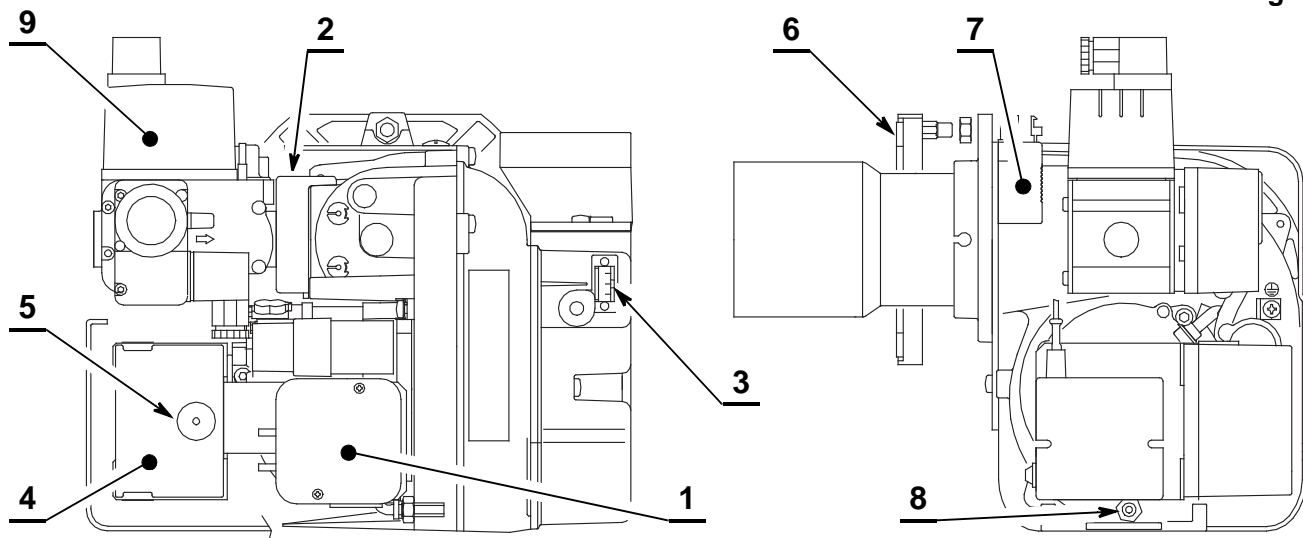
1. DESCRIPTION DU BRULEUR	1	4. FONCTIONNEMENT	9
1.1 Matériel fourni	1	4.1 Réglage de la combustion	9
1.2 Accessoire	1	4.2 Réglage tête de combustion	9
2. DONNEES TECHNIQUES	2	4.3 Réglage volets d'air	9
2.1 Données techniques	2	4.4 Contrôle de la combustion	10
2.2 Dimensions	2	4.5 Prise de pression air	11
2.3 Plaque de travail	3	4.6 Pressostat air	11
3. INSTALLATION	4	4.7 Cycle de démarrage	11
3.1 Fixation à la chaudière	4	5. ENTRETIEN	12
3.2 Montage du brûleur	4	6. ANOMALIES / REMEDES	13
3.3 Schéma alimentation du gaz	5	6.1 Diagnostic mauvais fonctionnement	15
3.4 Rampe gaz	6		
3.5 Installation électrique	8		
3.6 Positionnement sonde - électrode	9		

1. DESCRIPTION DU BRULEUR

Brûleur gaz fonctionnement à une allure.

- Brûleur conforme au degré de protection IP 40 selon EN 60529.
- Marquage CE conforme à la directive Appareils à Gaz 90/396/CEE; PIN **0085BM0490**.
- Conforme aux Directives: EMC 2004/108/EC, Basse Tension 2006/95/EC et Machines 2006/42/EC.
- Rampe gaz conforme à EN 676.

Fig. 1



D4193

- | | | |
|-----------------------------------|---|---------------------------|
| 1 – Pressostat air | 5 – Bouton de réarmement avec signalisation de sécurité | 8 – Prise de pression air |
| 2 – Prise de pression gaz | 6 – Bride avec joint isolant | 9 – Rampe gaz |
| 3 – Réglage volet d'air | 7 – Prise 4 pôles pour l'alimentation | |
| 4 – Boîte de commande et contrôle | | |

1.1 MATÉRIEL FOURNI

Bride avec joint isolant	N. 1	Clapet de fermeture manuelle 90°	N. 1
Fiche 4 pôles	N. 1	Tube 1/2"	N. 1
Vis et écrous fixation bride sur la chaudière	N. 4	Bride 90°	N. 1
Grille de protection pour applications CF	N. 1	Prise d'air	N. 1

1.2 ACCESSOIRE

KIT (KIT INTERFACE DE PC): code **3002719**

2. DONNEES TECHNIQUES

2.1 DONNEES TECHNIQUES

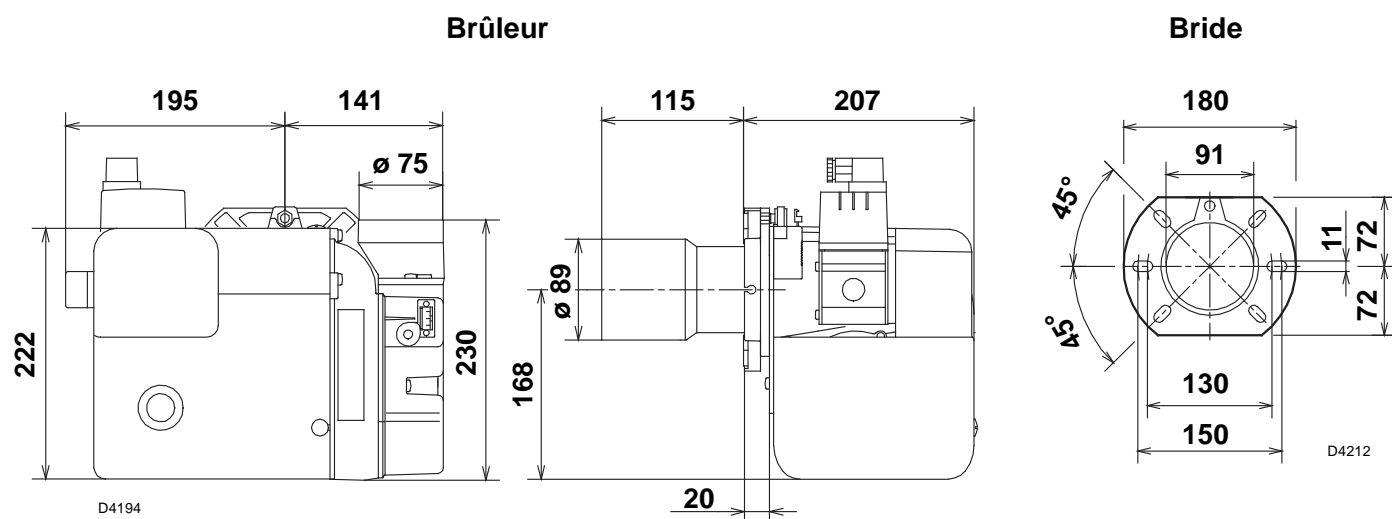
Type	960T
Puissance thermique (1)	16 – 47 kW – 13,760 – 40,420 kcal/h
Gaz naturel (Famille 2)	Pci: 8 – 12 kWh/Nm ³ = 7000 – 10,340 kcal/Nm ³
	Pression: min. 20 mbar – max. 65 mbar
Alimentation électrique	Monophasée, ~ 50Hz 230V ± 10%
Moteur	0.75 A absorbés - 2800 t/min - 294 rad/s
Condensateur	2 µF
Transformateur d'allumage	Primaire 220-240V – 50-60Hz – Secondaire 15 kV - 25 mA
Puissance électrique absorbée	0,09 kW
(1) Conditions de référence: Température 20°C - Pression barométrique 1013 mbar – Altitude 0 m au niveau de la mer.	

Tab. A

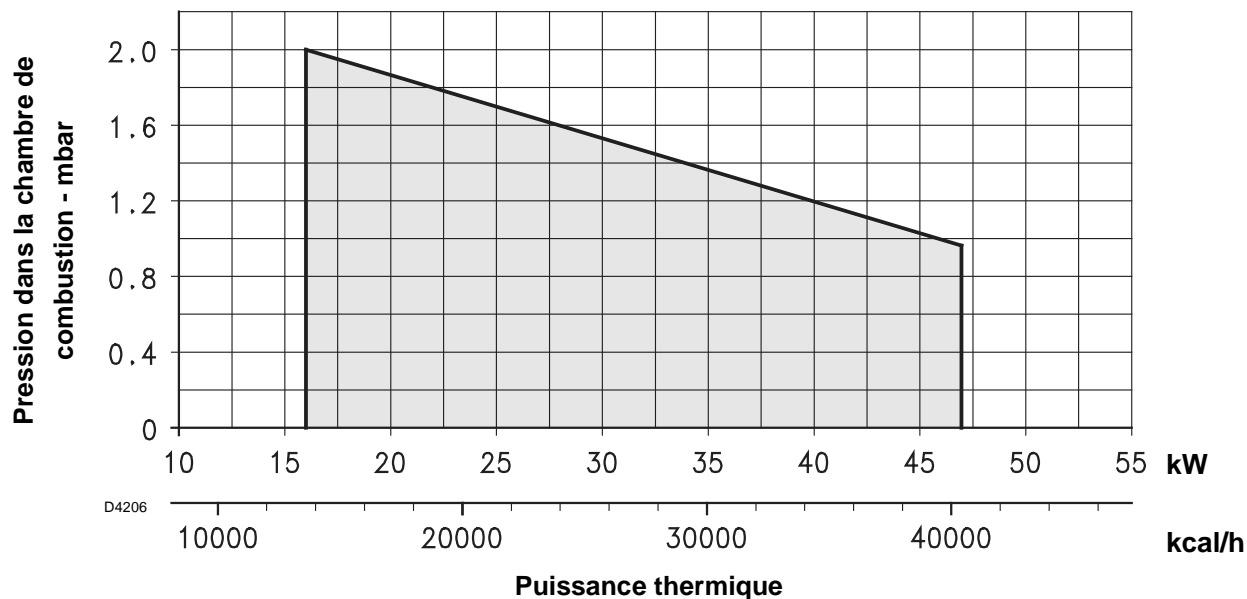
Pour gaz de la famille 3 (GPL), kit sur demande

PAYS		AT - DK - IT - GR - SE	GB - IE - ES - PT	DE	FR	NL	LU - PL
CATEGORIE GAZ		I12H3B/P	I12H3P	I12ELL3B/P	I12Er3P	I12L3B/P	I12E3B/P
PRESSION GAZ	G20 H	20	20	–	–	–	20
	G25 L	–	–	20	–	25	–
	G20 E	–	–	20	20/25	–	–

2.2 DIMENSIONS



2.3 PLAGE DE TRAVAIL (selon EN 676)



CHAUDIERE D'ESSAI

La plage d'utilisation a été obtenue avec une chaudière d'essai conforme à la norme EN 676.

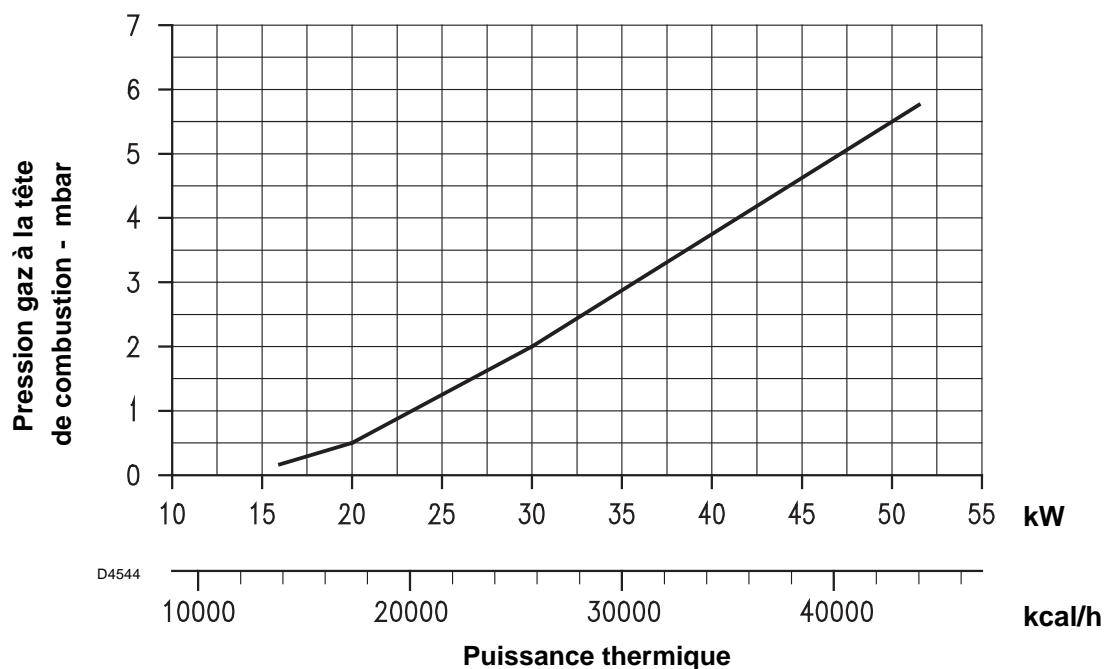
CHAUDIERE COMMERCIALE

L'accouplement brûleur/chaudière ne pose pas de problèmes si la chaudière est conforme à la norme EN 303 et si la chambre de combustion a des dimensions similaires à celles prévues dans la norme EN 676.

Par contre, si le brûleur doit être accouplé à une chaudière commerciale qui n'est pas conforme à la norme EN 303 ou dont les dimensions de la chambre de combustion sont plus petites que celles indiquées dans la norme EN 676, consulter le fabricant.

CORRELATION ENTRE PRESSION DU GAZ ET PUISSANCE

Pour obtenir la puissance maxi, il faut avoir 5,75 mbar mesurée au manchon (M3, voir chapitre 3.3, page 6) avec chambre de combustion à 0 mbar et gaz G20 – Pci = 10 kWh/Nm³ (8.570 kcal/Nm³).



3. INSTALLATION

LE BRÛLEUR DOIT ÊTRE INSTALLÉ CONFORMÉMENT AUX LOIS ET AUX RÉGLEMENTATIONS LOCALES.

3.1 FIXATION À LA CHAUDIÈRE

- Insérer sur la bride (1) la vis et deux écrous, (voir fig. 2).
- Fixer sur la plaque de la chaudière (4) la bride (1) par l'intermédiaire des vis (2) et (si nécessaire) des écrous (3) en **interposant le joint isolant (5)**, (voir fig. 3).

Fig. 2

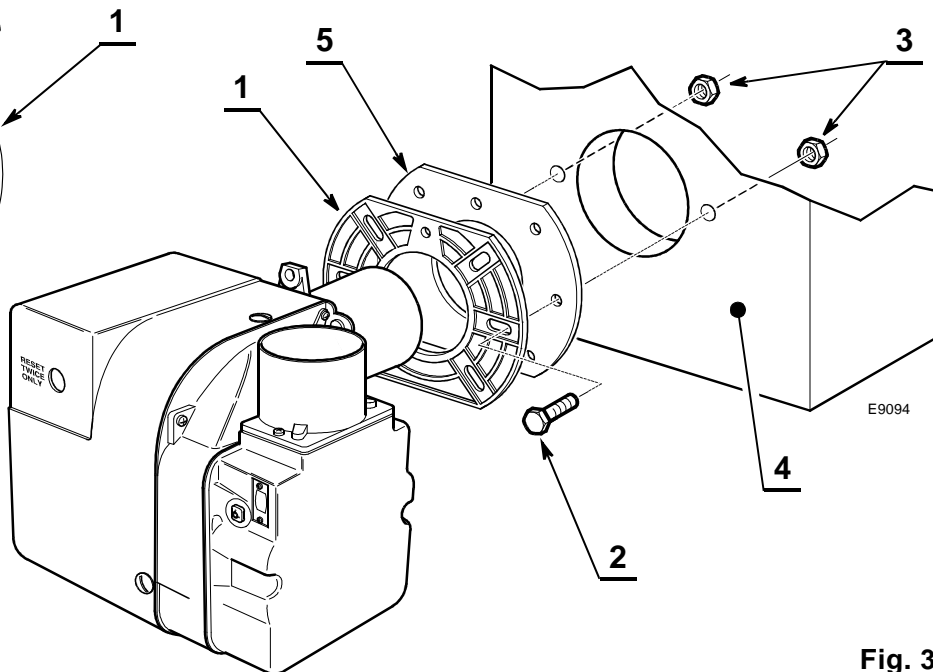
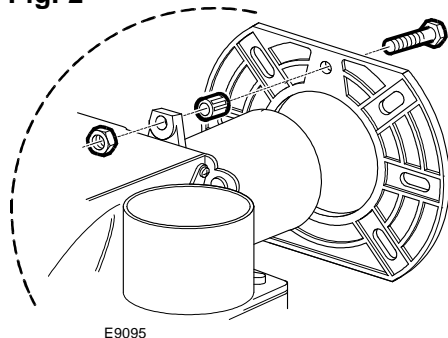


Fig. 3

3.2 MONTAGE DU BRÛLEUR

APPLICATION CF

En cas d'applications **CF**, le brûleur ne doit être mis en marche sans la protection **(A)** de l'orifice d'aspiration.

APPLICATION BF

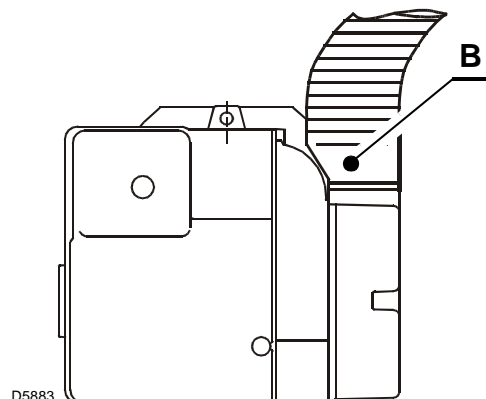
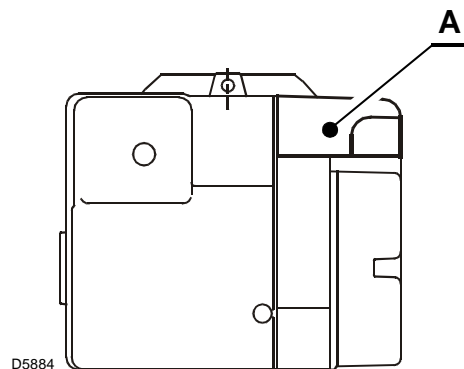
POUR L'APPLICATION BF CORRECTE, LE BRÛLEUR DOIT ÊTRE INSTALLÉ SUR UNE CHAUDIÈRE BF APPROPRIÉE.

En cas d'applications **BF**, un tube et un joint en option, remplaçant **(A)** par **(B)**, sont disponibles. L'article peut être fourni séparément.

L'alimentation en air comburant s'effectue à travers un tube rigide ou flexible branché à la prise d'air.

Par conséquent, observer les exigences et consignes suivantes :

- Le tube de prise d'air comburant doit être :
 - fixé convenablement au brûleur ;
 - constitué de matériau approprié, aux caractéristiques de température dans la plage de - 30 °C à 80 °C ;
 - conforme aux exigences des normes applicables en vigueur dans le pays de destination.

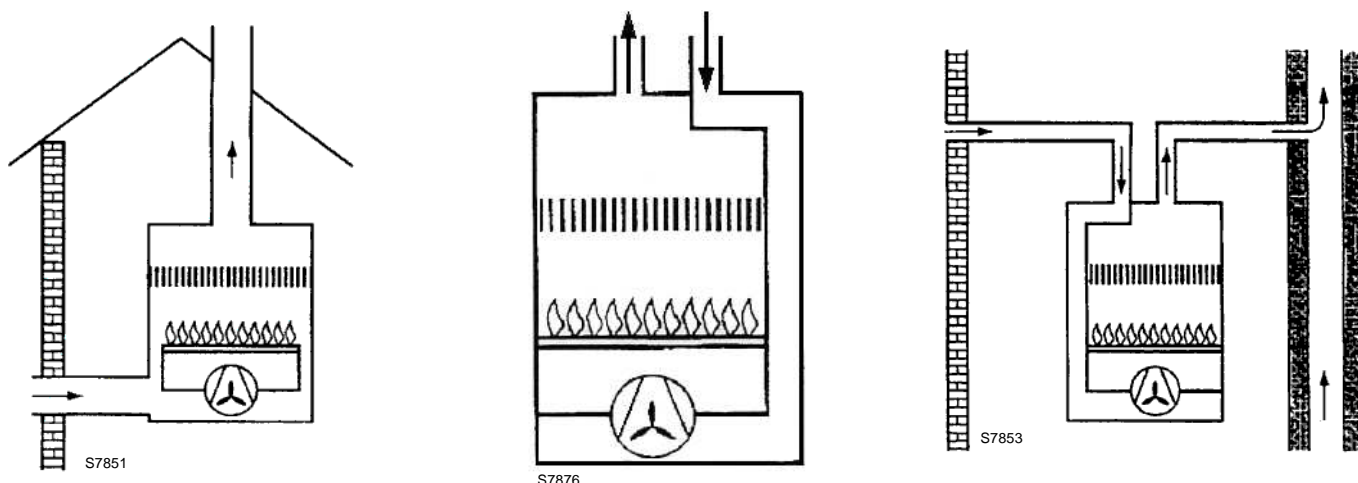


- Le tube de prise d'air / le système du brûleur ne doivent permettre une réduction de plus de 2 m³/h à 0,5 mbar : par exemple, les exigences ci-dessus seront satisfaites si vous utilisez des conduits pour l'évacuation sous pression des fumées (à condensation).
- S'assurer que l'entrée du tube de prise d'air soit installée de manière telle à éviter que des corps étrangers ne l'obstruent et, au besoin, utiliser les écrans appropriés.
- La température de l'air en entrée ne doit pas dépasser 40 °C ;
- Le diamètre intérieur du tuyau doit être d'au moins 80 mm.
- Le tube d'entrée peut avoir une longueur de 6 mètres au maximum.
Attention : la longueur est réduite en cas de courbes sur la section de prise d'air.
 Si l'on utilise par exemple un tube doté de surface interne lisse, prévoir les réductions suivantes :
 - pour chaque courbe de 45°, la longueur du tube est réduite de 0,5 m ;
 - pour chaque courbe de 90°, la longueur du tube est réduite de 0,8 m.

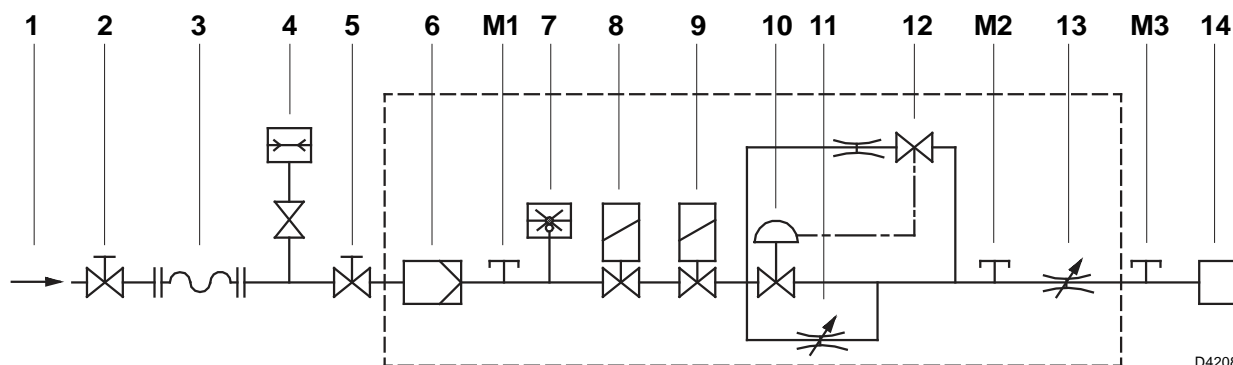
L'INSTALLATION DU BRÛLEUR DOIT ÊTRE CONFORME À L'UNE DES INSTALLATIONS ILLUSTRÉES DANS LES FIGURES CI-DESSOUS.

ATTENTION

- L'arrivée d'air dans la zone de prise du tube ne doit être obstruée sous aucun prétexte.
- Le tube ne doit être bloqué d'une quelconque manière que ce soit ou être doté de dispositif de fermeture (vannes, membranes etc.).
- Les tubes coaxiaux ne doivent être installés sous aucun prétexte.



3.3 SCHÉMA ALIMENTATION DU GAZ



3.4 RAMPE GAZ (selon EN 676)

Type	MBDLE 055 D01
Emploi	Gaz naturel et GPL

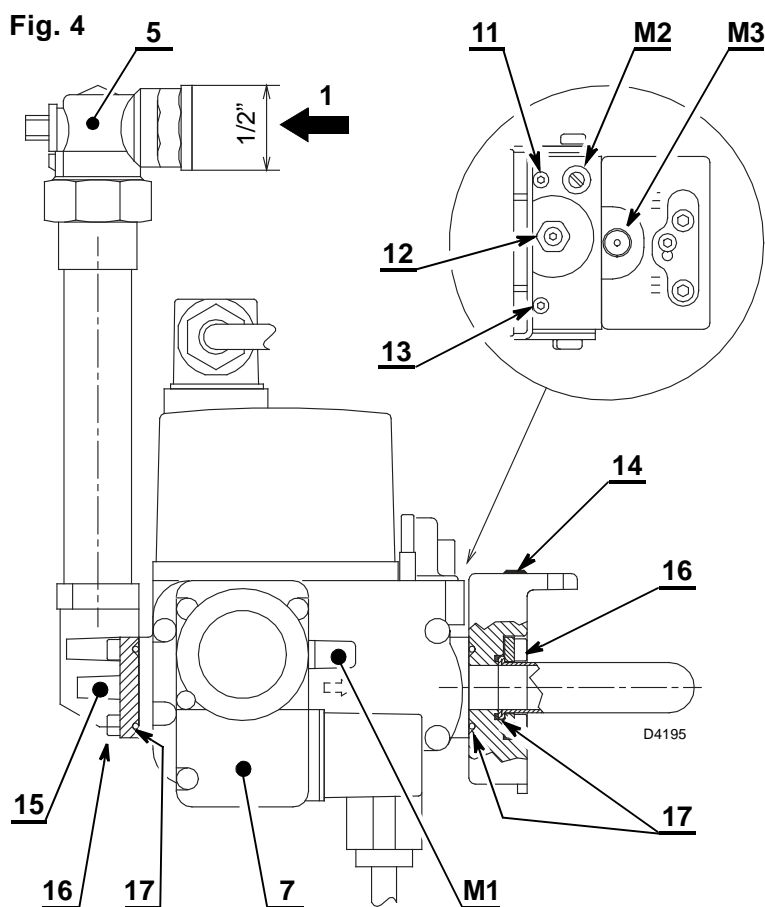
COMPOSANTS

Le multibloc comprend:

- 1 - Filtre
- 1 - Pressostat gaz
- 1 - Stabilisateur de pression
- 2 - Vannes électromagnétique:
 - vanne de sécurité à ouverture rapide.
 - vanne de régulation à ouverture lente.

LEGENDE

- 1 - Conduit arrivée du gaz
- 2 - Robinet de barrage (à la charge de l'installateur)
- 3 - Joint anti-vibrations (à la charge de l'installateur)
- 4 - Manomètre pression du gaz (à la charge de l'installateur)
- 5 - Clapet de fermeture manuelle 90° (fourni de série)
- 6 - Filtre
- 7 - Pressostat gaz
- 8 - Vanne de sécurité
- 9 - Vanne de réglage
- 10 - Stabilisateur de pression
- 11 - Réglage frein hydraulique
- 12 - Réglage stabilisateur
- 13 - Réglage vanne
- 14 - Vanne - brûleur adapter
- 15 - Bride 90°
- 16 - Vis de fixation bride
- 17 - Bagues d'étanchéité
- M1 - Prise pour le contrôle de la pression gaz à l'alimentation
- M2 - Prise pour mesurer la pression après le stabilisateur
- M3 - Prise pour le contrôle de la pression à la tête



PERTE DE CHARGE DE LA RAMPE

Le perte de charge Δp de la rampe est fournie par le diagramme; les échelles du débit volumétrique \dot{V} sont respectivement pour:

- a** = air,
 - n** = gaz naturel (G20),
 - p** = propane (G30),
 - c** = gaz de ville (G140), seulement pour des applications non assujetties à la Directive Appareils à Gaz.
- Les valeurs fournies par le diagramme peuvent varier légèrement selon le réglage du stabilisateur de pression. On obtient la pression minimum nécessaire au réseau en additionnant les pertes de charge du brûleur (voir manuel du brûleur) à la pression obtenue par le diagramme et à la contre-pression de la chambre de combustion (voir manuel du générateur de chaleur).

ENTRETIEN FILTRE

En cas de nécessité, il peut être remplacé. **Faites appel au Service Technique pour cette opération.**

REGLAGE DU STABILISATEUR DE PRESSION

En tournant la vis dans le sens contraire aux aiguilles d'une montre on augmente la pression à la sortie, en tournant dans le sens contraire aux aiguilles d'une montre on diminue la pression.

REGLAGE DES VANNES

Le débit à l'allumage (phase d'ouverture de la vanne) se règle en tournant la vis (11, fig. 4 page 6). Tourner dans le sens contraire aux aiguilles d'une montre pour augmenter le débit, tourner dans le sens contraire aux aiguilles d'une montre pour diminuer le débit. La quantité de gaz au départ peut être réglée jusqu'à 80% du débit maximum.

Le débit maximum s'obtient progressivement en partant du débit d'allumage. Vous augmentez le débit en tournant la vis (13, fig. 4 page 6) dans le sens contraire aux aiguilles d'une montre, vous le diminuez en tournant dans le sens contraire aux aiguilles.

REGLAGE DU PRESSOSTAT GAZ MINI

Il faut régler le pressostat gaz (6, fig. 4 page 5) après avoir effectué tous les autres réglages du brûleur avec le pressostat réglé en début d'échelle.

Faire fonctionner le brûleur à la puissance requise. Fermer lentement le clapet de fermeture pour que la pression, mesurée sur le raccord du pressostat, s'abaisse de 5 - 6 mbars, par rapport à la valeur de fonctionnement. Tourner lentement la poignée du pressostat jusqu'à ce que le pressostat intervienne, ce qui provoque l'arrêt du brûleur. Ouvrir complètement le clapet de fermeture.

REGLAGE INITIAL DE LA VANNE GAZ

REGLAGE FREIN HYDRAULIQUE (11, fig. 4 page 6)

Visser la vis (11) dans le sens contraire aux aiguilles d'une montre jusqu'à la bloquer et la tourner ensuite de 7 tours dans le sens contraire. Il s'agit d'un réglage initial qui doit être corrigé par la suite selon la puissance thermique.

REGLAGE VANNE (13, fig. 4 page 6)

Visser la vis (13) dans le sens contraire aux aiguilles d'une montre jusqu'à la bloquer et la tourner ensuite de 3 tous dans le sens contraire. Il s'agit d'un réglage initial qui doit être corrigé par la suite selon la puissance thermique.

STABILISATEUR DE PRESSION (12, fig. 4 page 6)

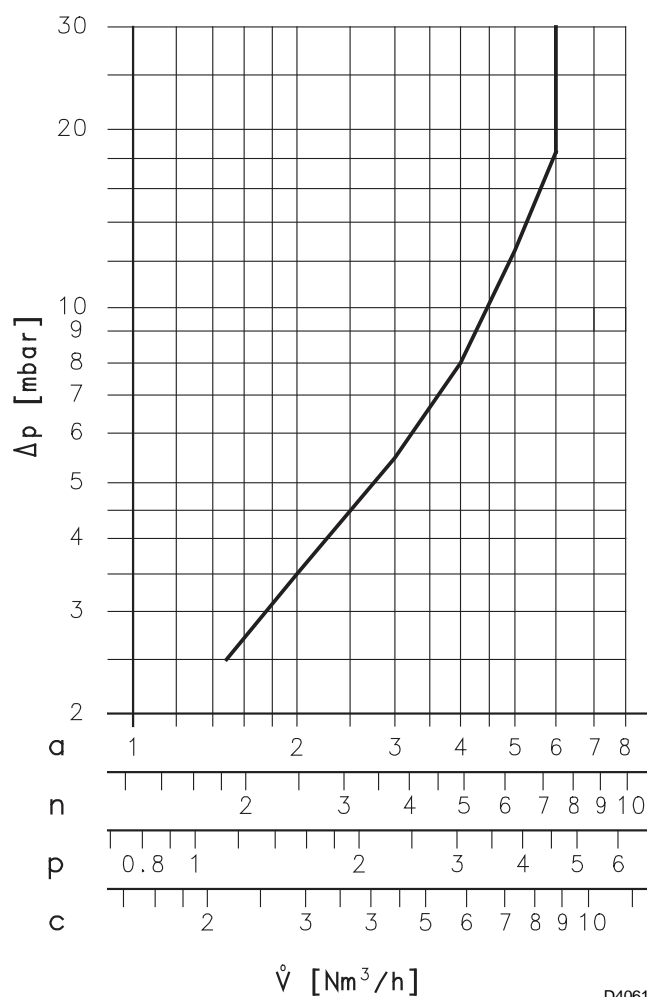
Tourner la vis (12) dans le sens contraire aux aiguilles d'une montre jusqu'au déclic de fin de course. Tourner ensuite la vis de **12 tours** dans le sens contraire aux aiguilles d'une montre. Le stabilisateur sera réglé dans la position intermédiaire.

PRESSIION GAZ (M3, fig. 4 page 6)

Mesurer la pression du gaz sur la conduite de refoulement à l'aide de la prise (M3).

REGLAGE VOLET D'AIR

Le débit d'air se règle en tournant la vis (3, fig. 6 page 10).



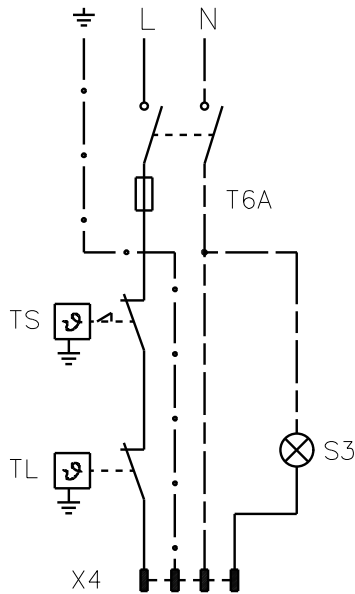
D4061

3.5 INSTALLATION ELECTRIQUE

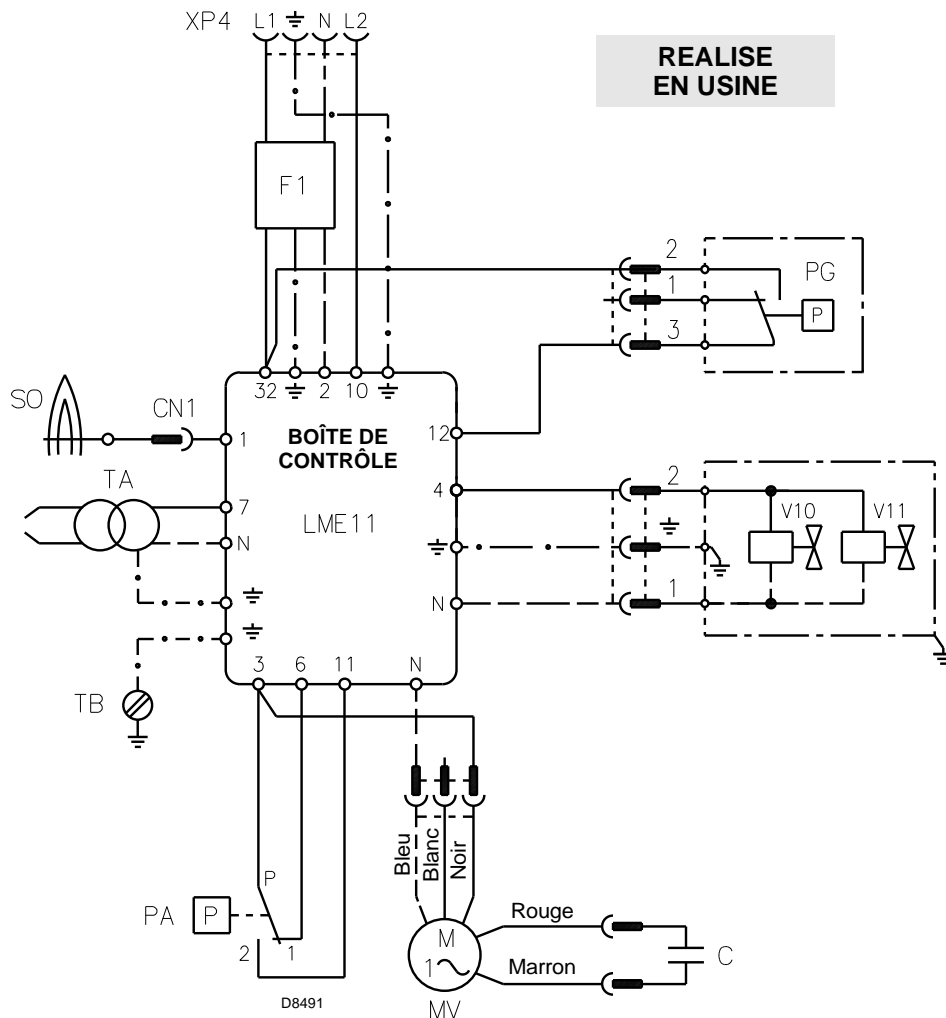
ATTENTION

NE PAS INVERSER LE NEUTRE AVEC LA PHASE

~ 50Hz - 230V



À LA CHARGE DE L'INSTALLATEUR



REALISE EN USINE

NOTES:

- Section conducteurs: min. 1 mm².
(Sauf des indications différentes prévues par les normes et les lois locales).
- Les branchements électriques exécutés par l'installateur doivent respecter le règlement en vigueur dans le Pays.

ESSAIS:

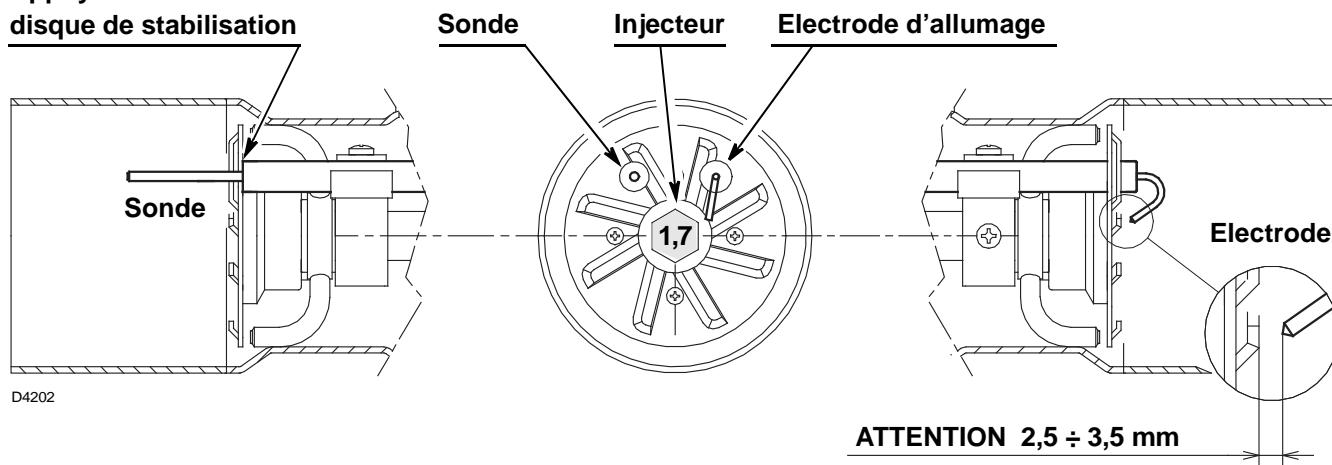
Vérifier l'arrêt du brûleur en agissant sur les thermostats et la mise en sécurité en débranchant le connecteur (CN1) placé dans le fil rouge de la sonde d'ionisation qui se trouve à l'extérieur de la boîte de contrôle.

LEGENDE

- C - Condensateur
- CN1 - Connecteur
- F1 - Antiparasite
- MV - Moteur
- PA - Pressostat air
- PG - Pressostat gaz min.
- S3 - Signalisation de sécurité à distance (230V - 0,5A max.)
- SO - Sonde
- T6A - Fusible
- TA - Transf. d'allumage
- TB - Terre brûleur
- TL - Thermostat limite
- TS - Thermostat de sécurité
- V10 - Vanne de sécurité
- V11 - Vanne de réglage
- X4 - Fiche 4 pôles
- XP4 - Prise 4 pôles

3.6 POSITIONNEMENT SONDE - ELECTRODE

Appuyer l'isolateur au disque de stabilisation



4. FONCTIONNEMENT

4.1 RÉGLAGE DE LA COMBUSTION

Conformément à la Directive rendement 92/42/CEE, le montage du brûleur sur la chaudière, le réglage et l'essai doivent être effectués en suivant le manuel de la chaudière, y compris en ce qui concerne le contrôle de la concentration de CO et CO₂ dans les fumées, leur température et celle moyenne de l'eau de la chaudière.

Il faut définir le réglage de la tête de combustion et celui du volet d'air primaire selon la puissance thermique voulue, en se référant au tableau ci-dessous:

Puissance thermique brûleur	Réglage tête de combustion	Réglage volet d'air primaire
	Position	Position
16 - 26 kW	1	1
26 - 47 kW	2	2

4.2 RÉGLAGE TÊTE DE COMBUSTION

(voir fig. 5)

Le réglage de la tête de combustion peut être modifié par l'installateur selon le tableau.

Procéder comme suit pour modifier la position de la tête de combustion: enlever la vis (2), desserrer les vis (1) et déplacer la tête de combustion/ groupe rampe (C) pour sélectionner la position voulue. Revisser la vis (2) dans la nouvelle position et bloquer les vis (1).

La tête de combustion est réglée en usine sur la position 2.

4.3 RÉGLAGE VOILETS D'AIR

(voir fig. 6, page 10)

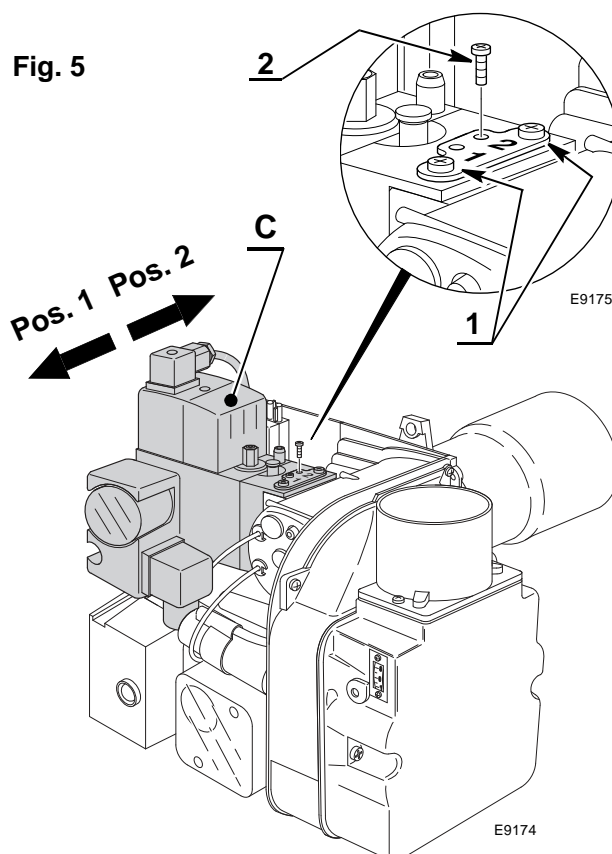
L'air se règle à l'aide des deux volets.

■ VOLET D'AIR PRIMAIRE (A)

Le volet d'air primaire peut être réglé sur deux positions.

Procéder comme suit pour modifier la position du volet d'air: enlever le groupe du volet d'air secondaire (B) après avoir dévissé les vis (1).

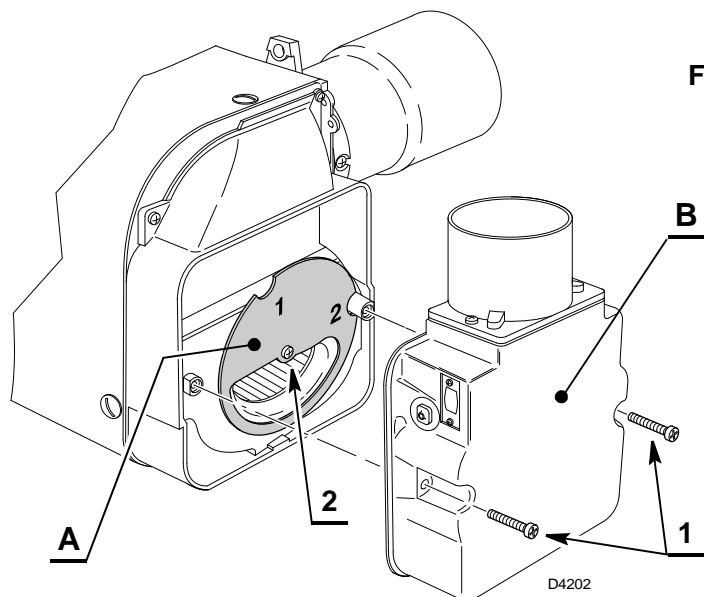
Desserrer la vis (2) et tourner le volet d'air primaire (A) afin de sélectionner la position voulue 1 ou 2. Bloquer la vis (2) et remonter le groupe du volet d'air secondaire (B). **Le volet d'air primaire est réglé en usine sur la pos. 2.**



■ VOILET D'AIR SECONDAIRE (B)

Le volet d'air secondaire permet de compléter le réglage et se règle en agissant sur la vis (3).

Réglage volet d'air primaire (A)



Groupe volet d'air secondaire (B)

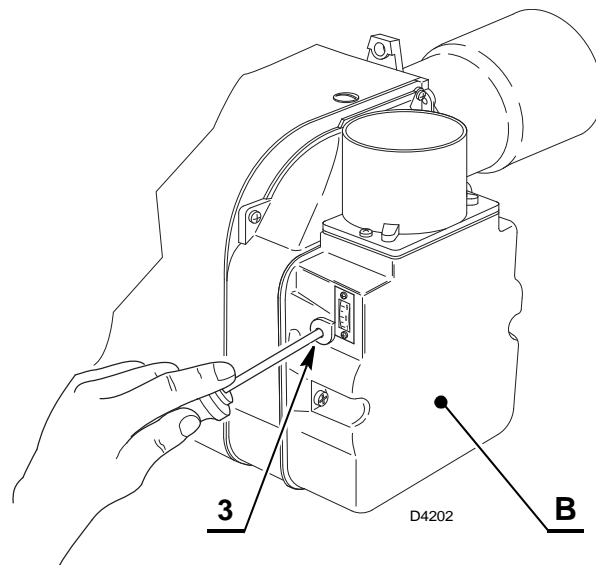


Fig. 6

4.4 CONTRÔLE DE LA COMBUSTION

Il est conseillé de régler le brûleur selon les indications reprises dans le tableau et en fonction du type de gaz utilisé:

EN 676		EXCES D'AIR: puissance max. $\lambda \leq 1,2$ – puissance min. $\lambda \leq 1,3$			
GAZ	CO ₂ max. théorique 0 % O ₂	Réglage CO ₂ %		CO mg/kWh	NO _x mg/kWh
		$\lambda = 1,2$	$\lambda = 1,3$		
G 20	11,7	9,7	9,0	≤ 100	≤ 170
G 25	11,5	9,5	8,8	≤ 100	≤ 170
G 30	14,0	11,6	10,7	≤ 100	≤ 230
G 31	13,7	11,4	10,5	≤ 100	≤ 230

COURANT D'IONISATION

L'intensité minimum nécessaire au bon fonctionnement de la boîte de contrôle est de 5 μ A.

Le brûleur fonctionne avec une intensité nettement supérieure, ne nécessitant normalement d'aucun contrôle.

Cependant, si l'on veut mesurer le courant d'ionisation il faut ouvrir le connecteur (CN1) (voir schéma électrique page 8) placé dans le câble rouge de la sonde et insérer un micro-ampèremètre.

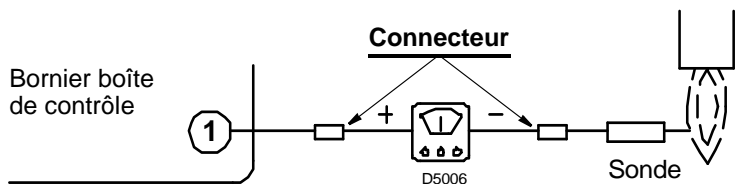


Fig. 7

4.5 PRISE DE PRESSION AIR

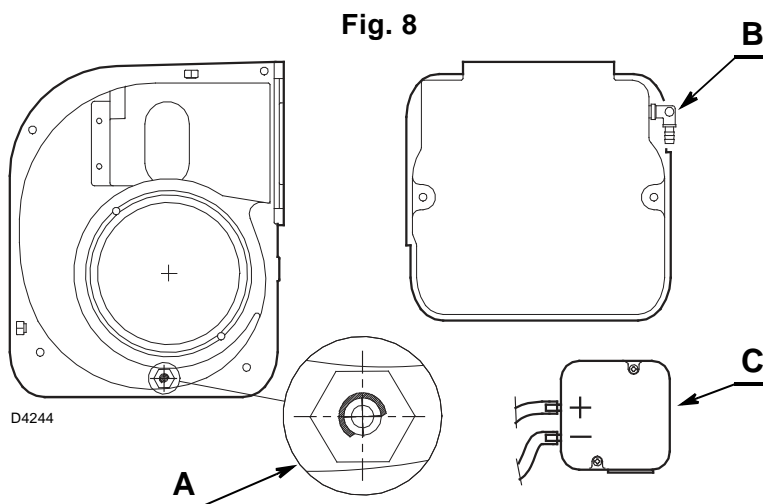
ATTENTION

Si la prise de pression de l'air (A) devait être desserrée accidentellement, il est recommandé de l'orienter correctement comme indiqué sur la figure 8.

- Relier la prise de pression de l'air (A) à l'entrée (-) du pressostat (C).
- Relier la prise de pression de l'air (B) à l'entrée (+) du pressostat (C).

REMARQUE

Un diaphragme calibré, placé à côté des prises de pression, se trouve à l'intérieur des tuyaux. Réutiliser ce diaphragme au moment de remplacer les tuyaux.



4.6 PRESSOSTAT AIR

Effectuer le réglage du pressostat d'air après avoir effectué tous les autres réglages du brûleur avec le pressostat d'air réglé en début d'échelle. Lorsque le brûleur fonctionne à la puissance voulue, tourner lentement la petite molette dans le sens contraire aux aiguilles d'une montre jusqu'à la mise en sécurité du brûleur. Tourner ensuite la petite molette dans le sens contraire avec une valeur égale à environ 20% de la valeur réglée et contrôler si le brûleur démarre correctement. Si le brûleur se met de nouveau en sécurité, tourner encore un peu la petite molette dans le sens contraire aux aiguilles d'une montre, vérifier si l'appareil se met en sécurité en bouchant le boîtier d'aspiration.

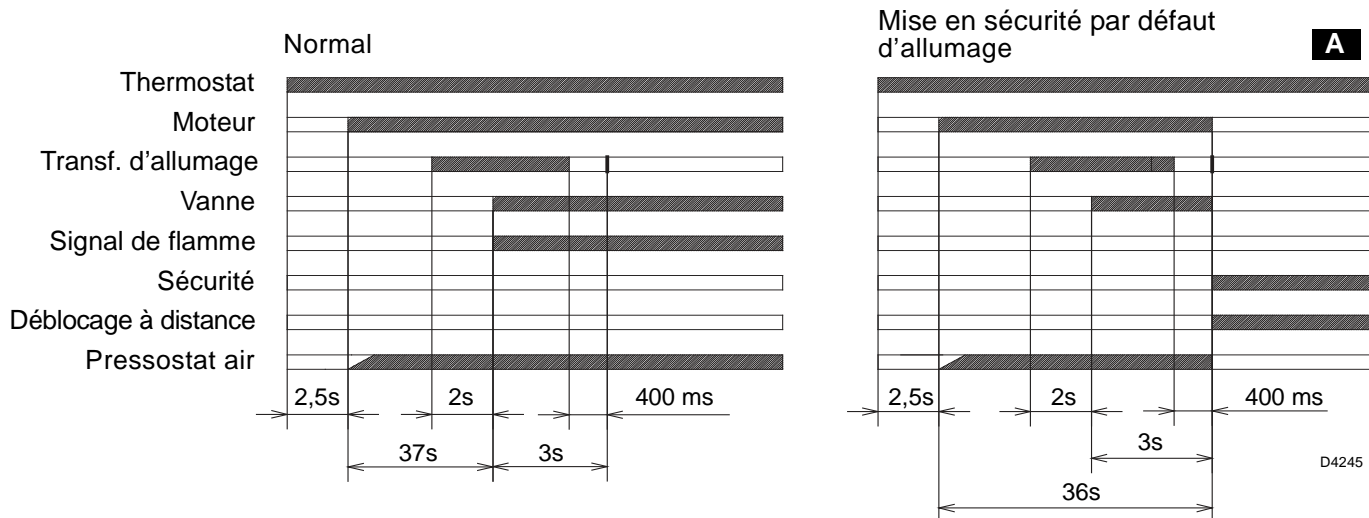
REMARQUE

lorsque le brûleur fonctionne à la puissance minimum, il est nécessaire de régler le pressostat à 5 mbar et de vérifier si l'appareil se met en sécurité en bouchant le boîtier d'aspiration.

ATTENTION

Comme le veut la norme, le pressostat d'air doit empêcher que la pression d'air descende en dessous de 80% par rapport à la valeur de réglage et que le CO dans les fumées dépasse 1% (10.000 ppm). Pour s'en rendre compte, insérer un analyseur de combustion dans le conduit, fermer lentement la bouche d'aspiration du ventilateur (par exemple avec un carton) et vérifier si le brûleur se met en sécurité, avant que le CO dans les fumées ne dépasse 1%.

4.7 CYCLE DE DEMARRAGE



A Signalée par le LED sur la boîte de commande et de contrôle (5, fig. 1, page 1).
Si la flamme s'éteint durant le fonctionnement, il y a mise en sécurité en moins d'une seconde.

5. ENTRETIEN

Indications concernant la sécurité pour l'entretien

L'entretien périodique est indispensable pour un bon fonctionnement, la sécurité, le rendement et la durée de vie du brûleur.

Il permet de réduire la consommation, les émissions polluantes et au produit de rester fiable dans le temps.



ATTENTION

Les interventions d'entretien et de réglage du brûleur doivent être effectuées par du personnel habilité, selon les indications reportées dans ce manuel et conformément aux normes et dispositions en vigueur.

Avant d'effectuer toute opération d'entretien, nettoyage ou contrôle:

- Couper l'alimentation électrique du brûleur, en appuyant sur l'interrupteur général de l'installation.
- Fermer le robinet d'arrêt du combustible.
- Attendre le refroidissement total des composants en contact avec des sources de chaleur.

LES OPERATIONS DE BASE A EFFECTUER SONT LES SUIVANTES:

Laisser le brûleur fonctionner à plein régime pendant environ 10 minutes, régler correctement tous les éléments indiqués dans cette notice.

Effectuer ensuite une analyse de la combustion en vérifiant:

- Pourcentage de CO₂
- Contenu de CO (ppm)
- Température des fumées de la cheminée.

6. ANOMALIES / REMEDES

La liste ci-dessous donne un certain nombre de causes d'anomalies et leurs remèdes.

Problèmes qui se traduisent par un fonctionnement anormal du brûleur. Un défaut, dans la grande majorité des cas, se traduit par l'allumage du signal sur le bouton de réarmement manuel de la boîte de commande et de contrôle (5, fig. 1, page 1). Quand celui-ci est allumé, une remise en marche est possible après avoir appuyé sur ce bouton; ceci fait, si l'allumage est normal, l'arrêt intempestif du brûleur est attribué à un problème occasionnel et, de toute façon sans danger.

Dans le cas contraire, si la mise en sécurité persiste, il y a lieu de se référer au tableau suivant.

DIFFICULTES D'ALLUMAGE

ANOMALIES	CAUSES POSSIBLES	REMEDES
Le brûleur ne démarre pas à la fermeture du thermostat limite.	Pas d'alimentation électrique.	Vérifier s'il y a du courant aux bornes L1-N de la fiche 7 pôles.
		Vérifier l'état des fusibles.
		Vérifier que le thermostat de sécurité ne soit pas intervenu.
	Pas de gaz.	Vérifier l'ouverture de la vanne manuelle.
		Contrôler que les vannes soient ouvertes et qu'il n'y ait pas de courts-circuits.
	Le pressostat gaz ne bascule pas son contact.	Procéder à son réglage.
Mauvais contact des connexions sur la boîte de contrôle.	Vérifier toutes les prises.	
Le pressostat air est en position de fonctionnement.	Remplacer le pressostat.	
Le brûleur effectue normalement son cycle de préventilation et d'allumage et se met en sécurité après 3".	Inversion phase / neutre.	Procéder au changement.
	Mauvais raccordement à la terre.	Faire un raccordement correct.
	La sonde d'ionisation est à la masse ou n'est pas dans la flamme ou sa connexion avec la boîte de contrôle est coupée ou il y a défaut d'isolation.	Vérifier la position et la corriger si nécessaire, en se référent a la notice.
		Effectuer à nouveau le branchement électrique.
Remplacer le câble électrique.		
Démarrage du brûleur avec retard d'allumage.	L'électrode d'allumage est mal réglée.	Refaire un bon réglage, en se référant à la notice.
	Trop d'air.	Régler le débit de l'air selon le tableau de la notice.
	Ralentisseur vanne trop fermé avec insuffisance de gaz.	Effectuer un réglage correct.
Le brûleur se met en sécurité après la phase de préventilation sans apparition de flamme.	Les électrovannes laissent passer trop peu de gaz.	Vérifier la pression d'alimentation et/ ou régler l'électrovanne comme indiqué dans la notice.
	Les électrovannes sont défectueuses.	Les remplacer.
	Pas d'arc électrique à l'électrode d'allumage, ou celui-ci est irrégulier.	Vérifier la bonne position des connecteurs.
		Vérifier la bonne position des électrodes selon les indications données dans ce manuel.
Présence d'air dans la tuyauterie.	Purger complètement la canalisation.	

ANOMALIES	CAUSES POSSIBLES	REMEDES
<p>Le brûleur se met en sécurité pendant la phase de préventilation.</p>	<p>Le pressostat air n'a pas de courant.</p>	<p>Le pressostat est défectueux, le remplacer.</p>
	<p>Flamme résiduelle.</p>	<p>La pression d'air est trop basse (régler la tête).</p>
	<p>La prise de pression (8, fig. 1, page 1) est mal positionnée.</p>	<p>Vanne défectueuse: la remplacer.</p>
	<p>Positionner correctement la prise de pression en suivant les indications données dans ce manuel au chap. 1. page 1.</p>	
<p>Le brûleur répète en continu le cycle de démarrage sans se mettre en sécurité.</p>	<p>La pression du gaz en réseau est très proche de la valeur à laquelle le pressostat gaz est réglé. La baisse de pression qu'il y a à l'ouverture de la vanne, provoque l'ouverture du pressostat. De ce fait, la vanne se referme subitement et le moteur s'arrête. La pression recommence à augmenter, le pressostat se referme et remet en marche le cycle de fonctionnement et ainsi de suite.</p>	<p>Régler le pressostat mini gaz.</p>

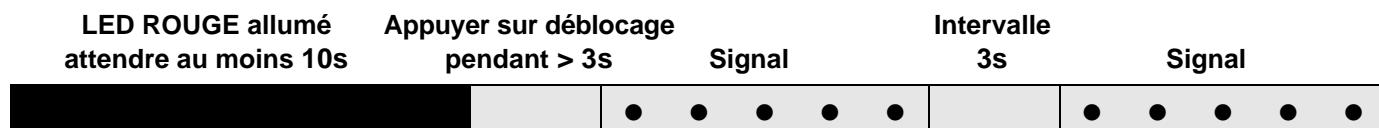
Tab. B

6.1 DIAGNOSTIC MAUVAIS FONCTIONNEMENT

La boîte de contrôle fournie de série a une fonction diagnostic qui permet de localiser facilement les causes possibles de mauvais fonctionnement (signalisation: **LED ROUGE**).

Pour utiliser cette fonction, il faut attendre au moins dix secondes après la mise en sécurité de la boîte de contrôle et appuyer sur le bouton de déblocage pendant au moins trois secondes.

Le LED ROUGE se met à clignoter après avoir relâché le bouton, comme indiqué sur la figure suivante.



Les clignotements du LED constituent un signal qui se répète environ toutes les 3 secondes.

Le nombre de clignotements donne les informations sur les pannes possibles, comme d'après le tableau suivant:

SIGNAL	CAUSE POSSIBLE
2 clignotements ● ●	Un signal stable de flamme n'est pas détecté à la fin du temps de sécurité: – anomalie de la sonde d'ionisation; – anomalie de la vanne du gaz; – inversion phase/ neutre; – brûleur pas réglé.
3 clignotements ● ● ●	Le pressostat air minimum ne se ferme pas: – anomalie du pressostat air; – pressostat air pas réglé; – le moteur de la turbine ne marche pas.
4 clignotements ● ● ● ●	Lumière présente dans la chambre durant la préventilation, ou bien anomalie de la boîte de contrôle.
5 clignotements ● ● ● ● ●	Le pressostat air minimum ne s'ouvre pas: – anomalie du pressostat air; – pressostat air pas réglé.
7 clignotements ● ● ● ● ● ● ●	Disparition de la flamme durant le fonctionnement: – brûleur pas réglé; – anomalie de la vanne du gaz; – court-circuit entre la sonde d'ionisation et la terre.
10 clignotements ● ● ● ● ● ● ● ● ● ●	Boîte de contrôle en panne.

Tab. C

RIELLO

RIELLO S.p.A.
I-37045 Legnago (VR)
Tel.: +39.0442.630111
[http:// www.riello.it](http://www.riello.it)
[http:// www.riello.com](http://www.riello.com)