



SPARE PARTS EXPLODED VIEW  
STORAGE ELECTRIC WATER HEATERS

Model

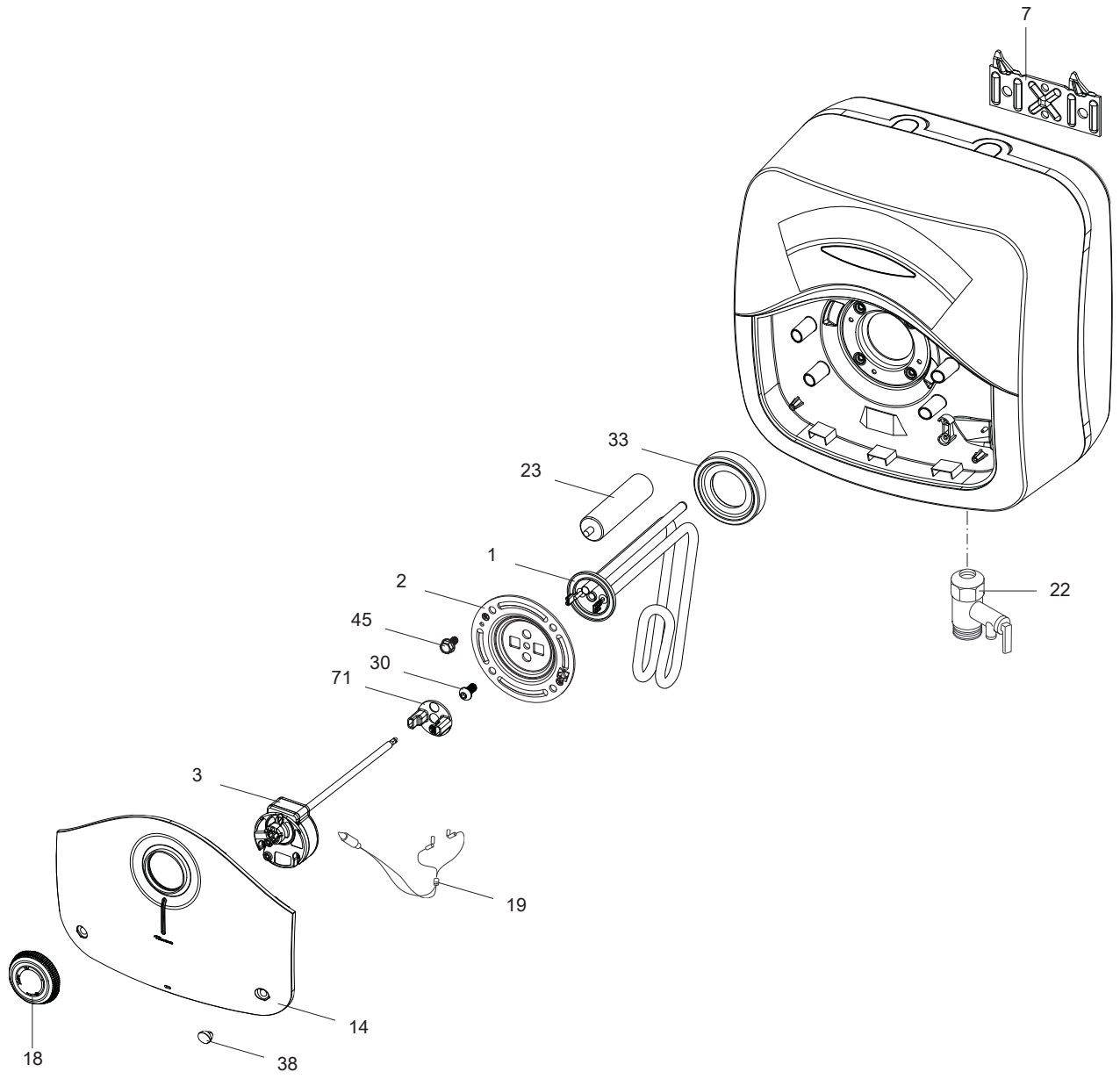
**BLU EVO EU**

R8217189-02 - 07/01/2016

BLU EVO EU

Storage Electric Water Heaters

1	3100313	BLU EVO R 10/3 EU	05-2015	-
2	3100314	BLU EVO R 10U/3 EU	05-2015	-
3	3100317	BLU EVO R 15/3 EU	05-2015	-
4	3100318	BLU EVO R 15U/3 EU	05-2015	-
5	3100321	BLU EVO R 30/3 EU	05-2015	-
Col	Reference	Model type	Begin	End



☉⇒	Description	Manf. Pt. N	Type	<div style="display: flex; justify-content: space-between; border: 1px solid black; padding: 2px;"> <div style="writing-mode: vertical-rl; transform: rotate(180deg); font-size: 8px; margin: 0 5px;">             BLU EVO R 1003 EU              BLU EVO R 1003 EU              BLU EVO R 1003 EU              BLU EVO R 1503 EU              BLU EVO R 1503 EU              BLU EVO R 3003 EU           </div> <div style="border: 1px solid black; padding: 2px; font-size: 10px;">             31           </div> </div>																		From	to
				1	2	3	4	5	6	7	8	9	10	11	12	13	14	15	16	17	18		
0001	HEATING ELEMENT 1200W 220-240V	65114900					•	•															
	HEATING ELEMENT 1200W 220-240V	65114905		•	•																		
	HEATING ELEMENT 1500W 220-240V	65114894							•														
0002	FLANGE (4 HOLES)	65114661		•	•	•	•	•														12/15	
	FLANGE (4 HOLES)	65115359		•	•	•	•	•													01/16		
0003	THERMOSTAT	65114891							•														
	THERMOSTAT	65114908		•																			
	THERMOSTAT	65115012			•																		
	THERMOSTAT	65115013					•																
	THERMOSTAT	65115014						•															
0007	HEATER WALL HANGING BRACKET	570341		•	•	•	•	•															
0014	PLASTIC COVER (COMPLETE)	65115084		•	•	•	•																
	PLASTIC COVER (COMPLETE)	65115088							•														
0018	KNOB (REGULATION)	65115023		•	•	•	•	•															
0019	SIGNAL LAMP	993025		•	•	•	•	•															
0022	SAFETY VALVE WITH LEVER (1/2" 8,5 BAR)	571730		•	•	•	•	•															
0023	ANODE D:21,3 L:110 M5-M8	65103768-01		•	•	•	•	•															
0030	SCREW M6X12	993000		•	•	•	•	•															
0033	FLANGE GASKET	65114660		•	•	•	•	•															
0038	SCREW COVER	65115085		•	•	•	•	•															
0045	FLANGE SCREW M6X12	65114656		•	•	•	•	•															
0071	TERMINAL SHIELD (GREEN)	65114895							•														
	TERMINAL SHIELD (YELLOW)	65114901		•	•	•	•																

## LIST OF THE ABBREVIATIONS

HW .....	: Hot water.
CW .....	: Cold water.
C .....	: Ceramic resistance (normal heating).
Ca .....	: Ceramic resistance (accelerated heating)
TP .....	: Immersion heater.
1F .....	: With fittings.
2F .....	: Without fittings.
3F .....	: With fittings and another outlet connection.
AMI .....	: With mixing valve.
SMI .....	: Without mixing valve.
PUISS .....	: Power of th appliance.
PN .....	: Appliance with normal pression.
LP .....	: Appliance with low pression.
PV .....	: Appliance with variable power.
PF .....	: Appliance with fixed power.

## IDENTIFICATION PLATE

### SERIAL NUMBER

**6 Characters :**  
 Year of manufacture 03 09 08 Manufacturing day  
 Month of manufacture

**9 Characters :**  
 Year of manufacture M 12 10 0606 Sequential number  
 Month of manufacture

**14 Characters :**  
 SI-V-0B0 45 07 0001  
 Sequential number  
 Year of manufacture : 6 → 2004  
 Month of manufacture : → 25 → January 43 → July 7 → 2005  
 13 → February 29 → August 8 → 2006  
 32 → March 40 → September etc ...  
 35 → April 38 → October  
 39 → May 51 → November  
 45 → June 12 → December

**15 Characters :**  
 Year of manufacture 02 11 00001 007843 Code appareil  
 Month of manufacture Sequential number

**21 Characters :**  
 Product reference 3200050 XX 08115 0000001 Sequential number  
 Year (08) / Manufacturing day (115)

**22 Characters :**  
 Product reference 3200050 XX 070115 0000001 Sequential number  
 Year (07) / Month (01) / Manufacturing day (15)