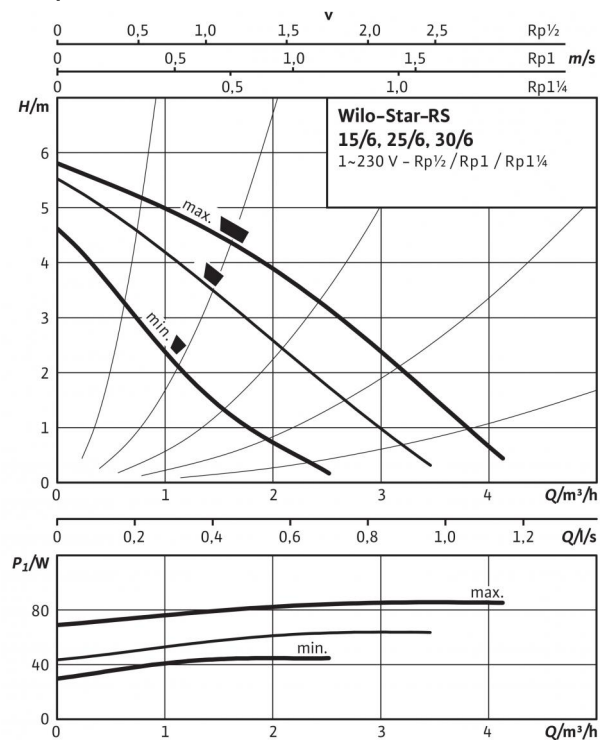
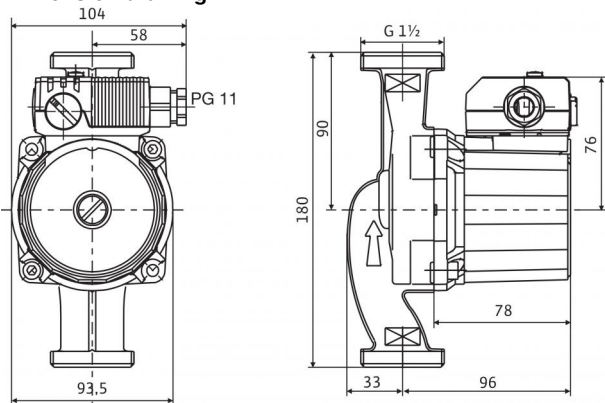


## Data sheet: Star-RS 25/6

### Pump curves

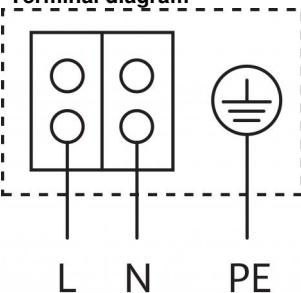


### Dimension drawing



Motor horizontal  
Terminal box positions for 3, 6, 9 and 12 o'clock possible

### Terminal diagram



Blocking current-proof motor  
Single-phase motor (EM) 2-pole - 1~230 V, 50 Hz  
With built-in capacitor

### Approved fluids (other fluids on request)

Heating water (in accordance with VDI 2035)  
Water-glycol mixtures (max. 1:1; above 20% admixture, the pumping data must be checked)

### Permitted field of application

Temperature range at max. ambient temperature +40 °C  
Maximum permissible operating pressure  $P_{max}$

-10...+110 °C  
10 bar

### Pipe connections

Threaded pipe union  
Thread  
Overall length  $L_0$

Rp 1  
G 1½  
180 mm

### Motor/electronics

Electromagnetic compatibility  
Emitted interference  
Interference resistance  
Speed control  
Protection class  
Insulation class  
Mains connection  
Speed  $n$   
Power consumption  $P_1$   
Current consumption  $I$   
Motor protection  
Threaded cable connection PG

EN 61800-3  
EN 61000-6-3  
EN 61000-6-2  
-  
IP 44  
F  
1~230 V, 50 Hz  
2480 / 2750 / 2840 rpm  
43 / 61 / 84 W  
0.20 / 0.28 / 0.36 A  
Not required (blocking-current proof)  
1x11

### Materials

Pump housing  
Impeller  
Pump shaft  
Bearing

Grey cast iron (EN-GJL-200)  
Plastic (PP - 40% GF)  
Stainless steel (X40Cr13)  
Carbon, metal impregnated

### Minimum suction head at suction port for avoiding cavitation at water pumping

Temperature  
Minimum suction head at 50 / 95 / 110 °C

0.5 / 3 / 10 m

### Information for order placements

Make  
Art no.  
Type  
Weight approx.  $m$

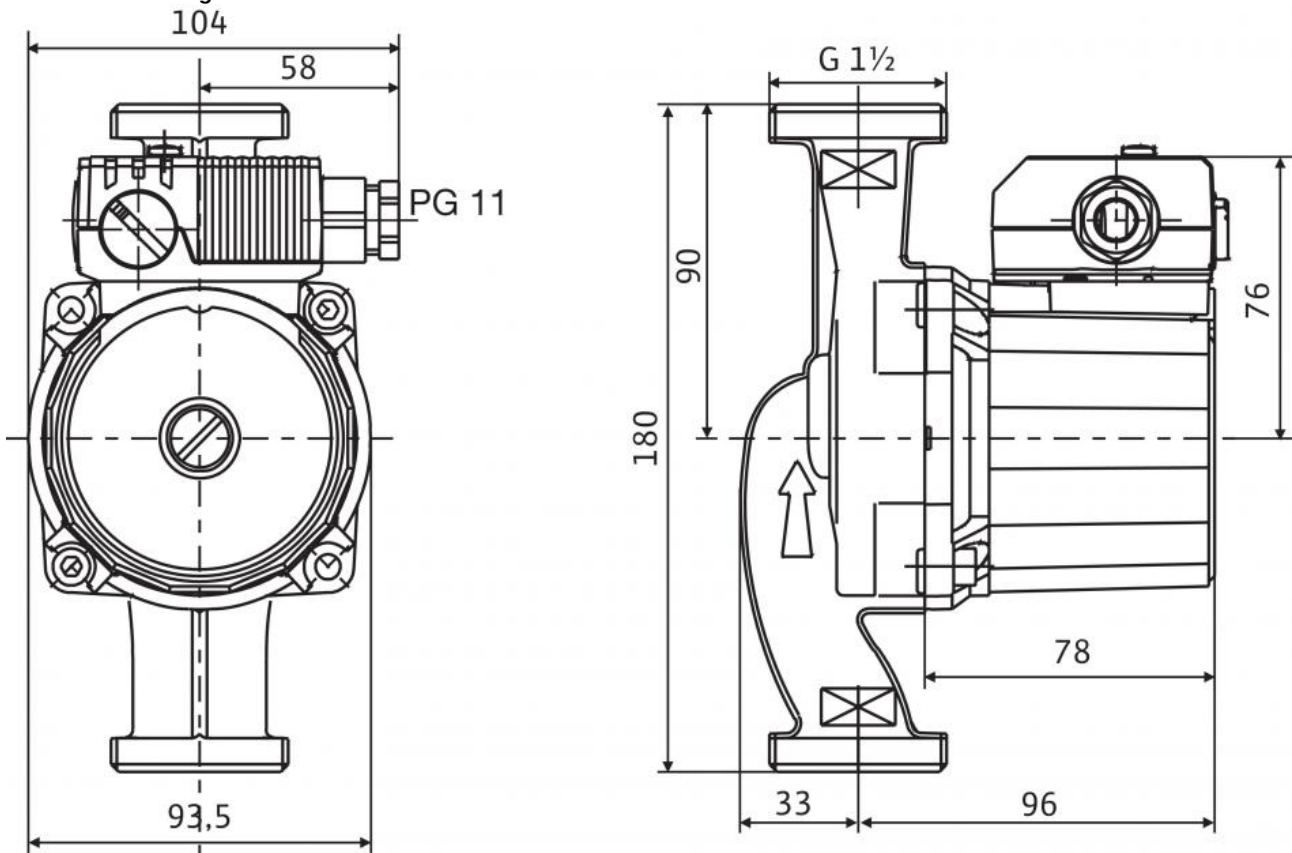
Wilo  
4032956  
Star-RS 25/6  
2.7 kg

Version ...RG with pump housing made of red brass

Version ...L with connection for quick aspirator

## Dimensions and dimensions drawings: Star-RS 25/6

Dimension drawing



Motor horizontal  
Terminal box positions for 3, 6, 9 and 12 o'clock possible

## Pump curves: Star-RS 25/6

Pump curves

