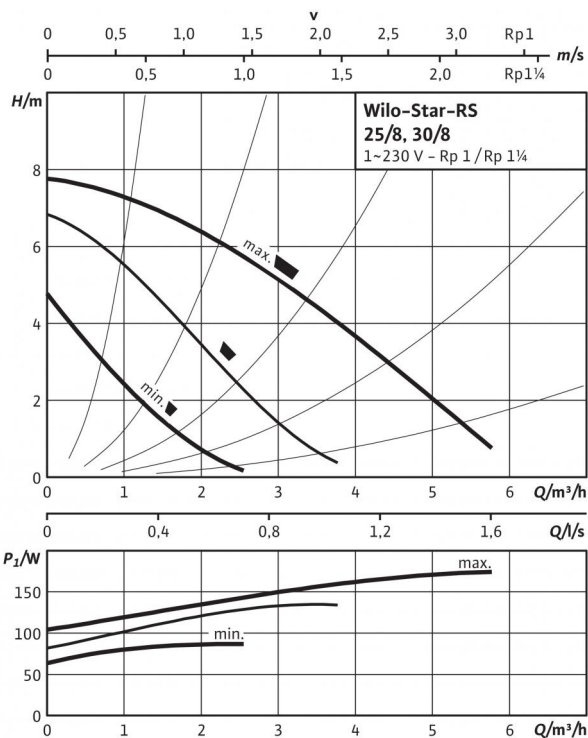
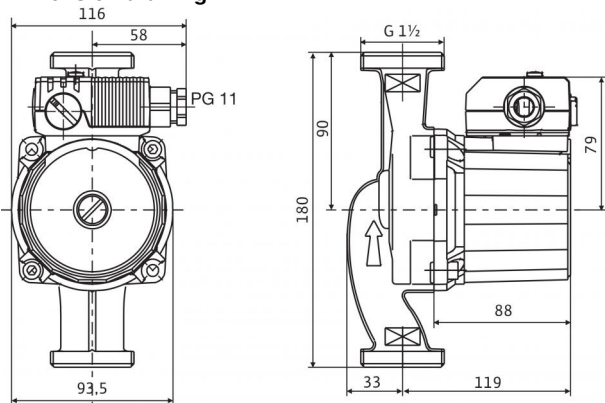


Data sheet: Star-RS 25/8

Pump curves

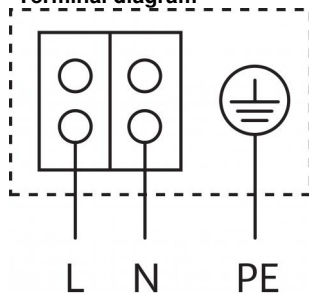


Dimension drawing



Motor horizontal
Terminal box positions for 3, 6, 9 and 12 o'clock possible

Terminal diagram



Blocking current-proof motor
Single-phase motor (EM) 2-pole - 1~230 V, 50 Hz
With built-in capacitor

Approved fluids (other fluids on request)

Heating water (in accordance with VDI 2035)
Water-glycol mixtures (max. 1:1; above 20% admixture, the pumping data must be checked)

Permitted field of application

Temperature range at max. ambient temperature +40 °C
Maximum permissible operating pressure P_{max}

Pipe connections

Threaded pipe union
Thread
Overall length L_0

Motor/electronics

Electromagnetic compatibility
Emitted interference
Interference resistance
Speed control
Protection class
Insulation class
Mains connection
Speed n
Power consumption P_1
Current consumption I
Motor protection
Threaded cable connection PG

•
•

-10...+110 °C
10 bar

Rp 1
G 1½
180 mm

EN 61800-3
EN 61000-6-3
EN 61000-6-2
-
IP 44
F
1~230 V, 50 Hz
2122 / 2404 / 2760 rpm
81 / 113 / 151 W
0.40 / 0.60 / 0.76 A
Not required (blocking-current proof)
1x11

Materials

Pump housing
Impeller
Pump shaft
Bearing

Grey cast iron
Fibreglass-reinforced PP
Stainless steel (X40Cr13)
Carbon, metal impregnated

Minimum suction head at suction port for avoiding cavitation at water pumping

Temperature
Minimum suction head at 50 / 95 / 110 °C

0.5 / 3 / 10 m

Information for order placements

Make
Art no.
Type
Weight approx. m

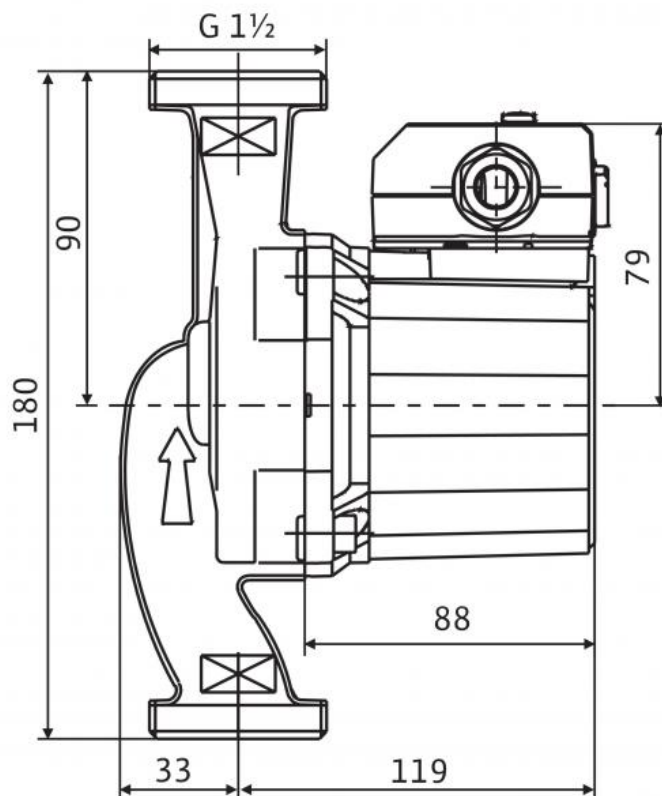
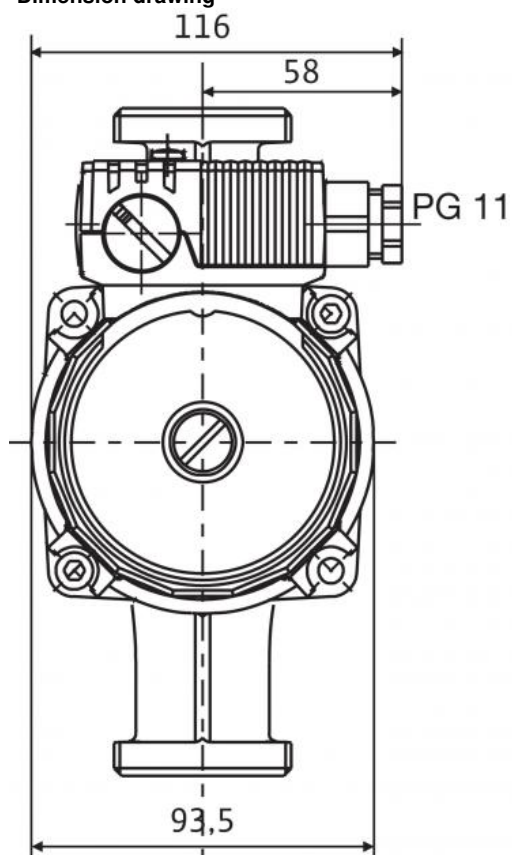
Wilo
4094258
Star-RS 25/8
3.6 kg

Version ...RG with pump housing made of red brass

Version ...L with connection for quick aspirator

Dimensions and dimensions drawings: Star-RS 25/8

Dimension drawing



Motor horizontal
Terminal box positions for 3, 6, 9 and 12 o'clock possible

Pump curves: Star-RS 25/8

Pump curves

