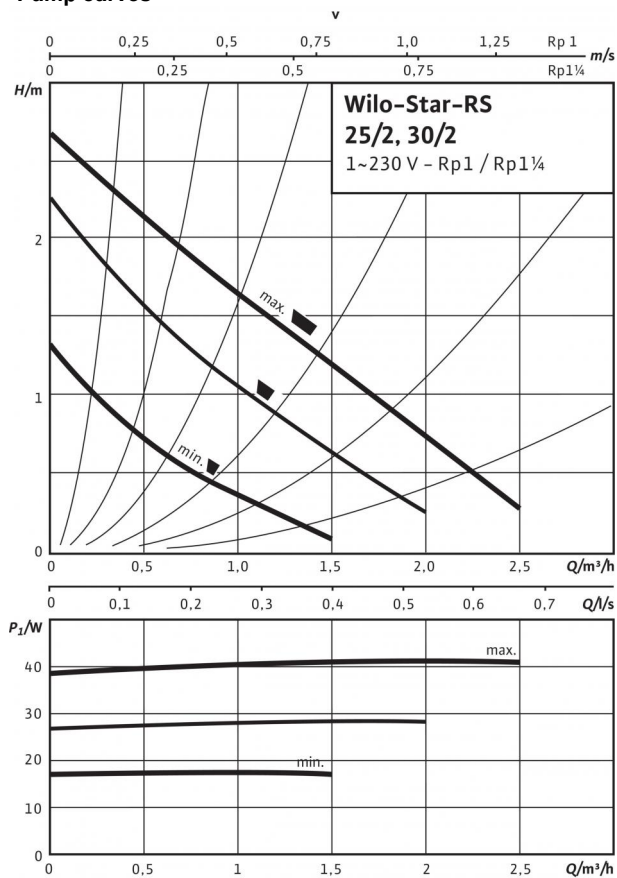
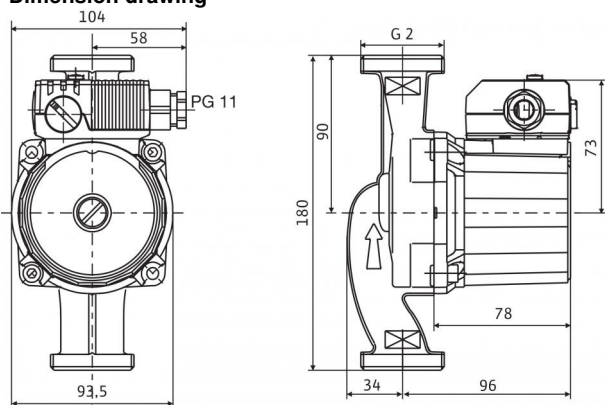


Data sheet: Star-RS 30/2

Pump curves



Dimension drawing



Motor horizontal

Terminal box positions for 3, 6, 9 and 12 o'clock possible

Approved fluids (other fluids on request)

Heating water (in accordance with VDI 2035)

Water-glycol mixtures (max. 1:1; above 20% admixture, the pumping data must be checked)

Permitted field of application

Temperature range at max. ambient temperature +40 °C

Maximum permissible operating pressure P_{max}

-10...+110 °C

10 bar

Pipe connections

Threaded pipe union

Thread

Overall length L_0

Rp 1 1/4

G 2

180 mm

Motor/electronics

Electromagnetic compatibility

Emitted interference

Interference resistance

Speed control

Protection class

Insulation class

Mains connection

Speed n

Power consumption P_1

Current consumption I

Motor protection

Threaded cable connection PG

EN 61800-3

EN 61000-6-3

EN 61000-6-2

-

IP 44

F

1~230 V, 50 Hz

1660 / 2210 / 2250 rpm

18 / 30 / 45 W

0.08 / 0.13 / 0.20 A

Not required (blocking-current proof)

1x11

Materials

Pump housing

Impeller

Pump shaft

Bearing

Grey cast iron (EN-GJL-200)

Plastic (PP - 40% GF)

Stainless steel (X40Cr13)

Carbon, metal impregnated

Minimum suction head at suction port for avoiding cavitation at water pumping

Temperature
Minimum suction head at 50 / 95 / 110 °C

0.5 / 3 / 10 m

Information for order placements

Make

Art no.

Type

Weight approx. m

Wilo

4033760

Star-RS 30/2

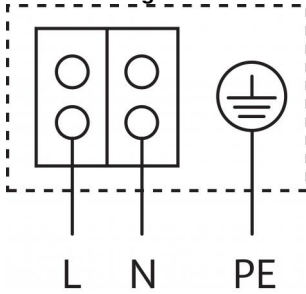
2.66 kg

Version ...RG with pump housing made of red brass

Version ...L with connection for quick aspirator

Data sheet: Star-RS 30/2

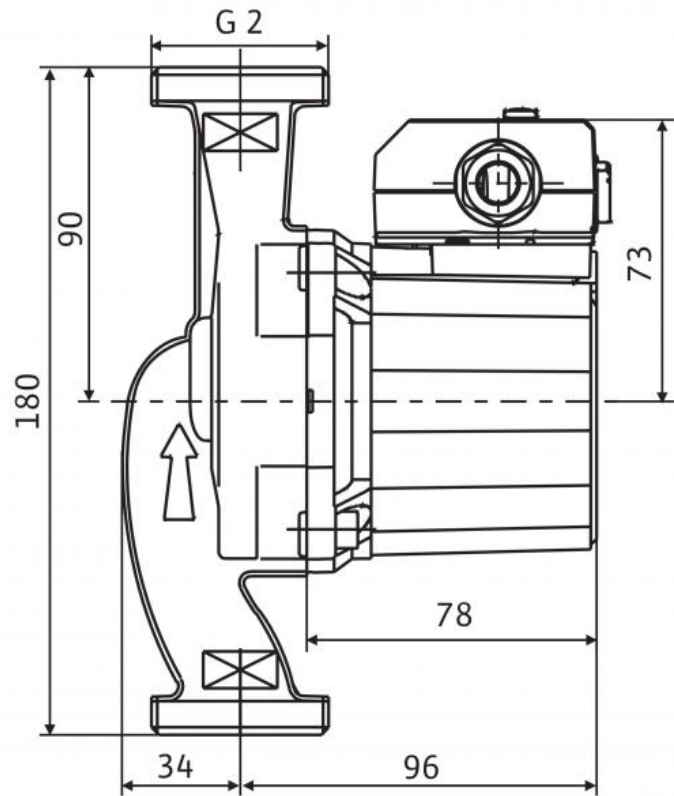
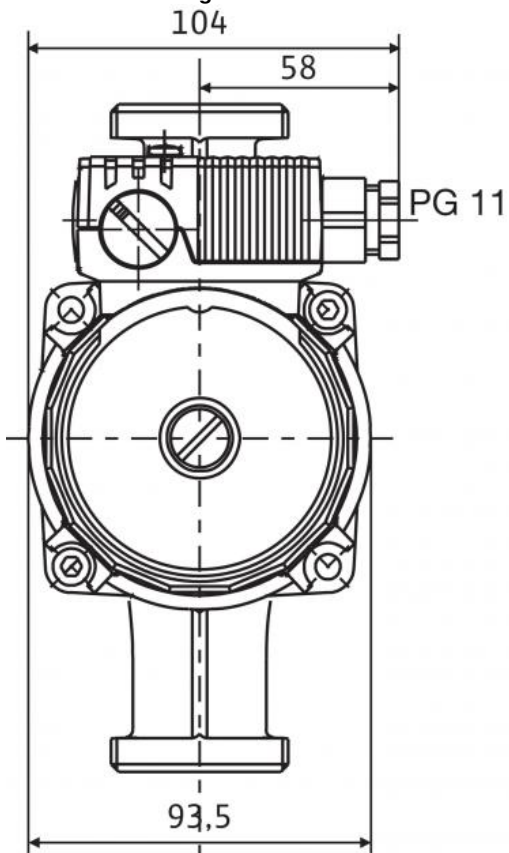
Terminal diagram



Blocking current-proof motor
Single-phase motor (EM) 2-pole - 1~230 V, 50 Hz
With built-in capacitor

Dimensions and dimensions drawings: Star-RS 30/2

Dimension drawing



Motor horizontal
Terminal box positions for 3, 6, 9 and 12 o'clock possible

Pump curves: Star-RS 30/2

Pump curves

