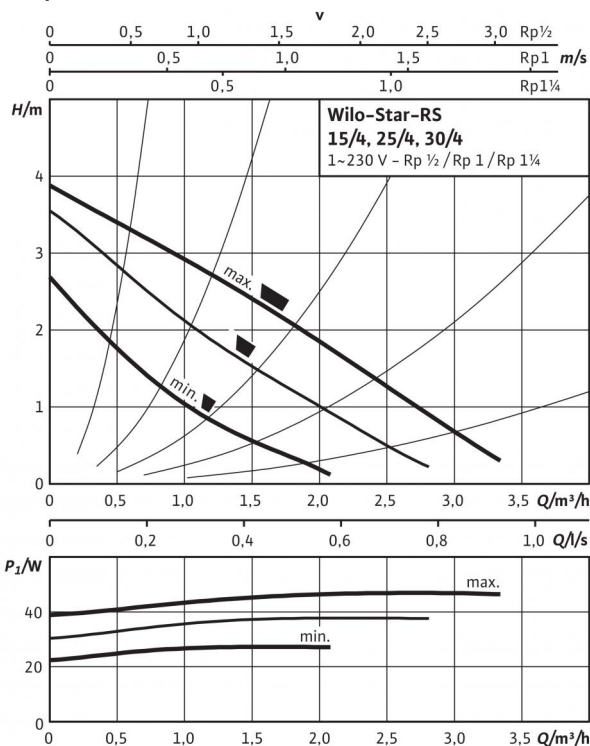
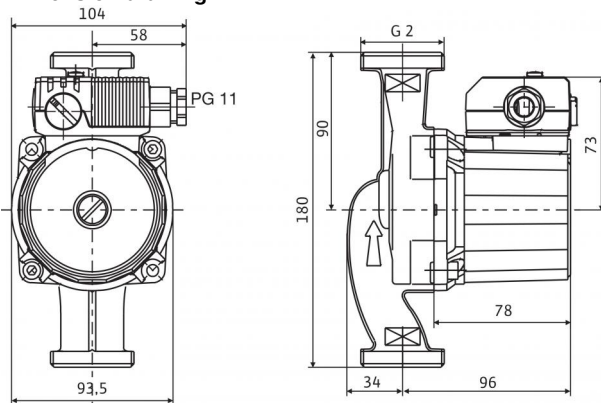


Data sheet: Star-RS 30/4

Pump curves

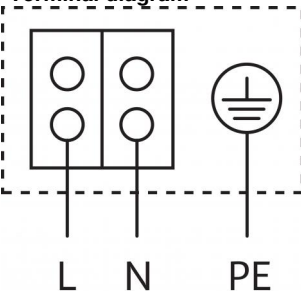


Dimension drawing



Motor horizontal
Terminal box positions for 3, 6, 9 and 12 o'clock possible

Terminal diagram



Blocking current-proof motor
Single-phase motor (EM) 2-pole - 1~230 V, 50 Hz
With built-in capacitor

Approved fluids (other fluids on request)

Heating water (in accordance with VDI 2035)
Water-glycol mixtures (max. 1:1; above 20% admixture, the pumping data must be checked)

Permitted field of application

Temperature range at max. ambient temperature +40 °C
Maximum permissible operating pressure P_{max}

Pipe connections

Threaded pipe union
Thread
Overall length L_0

Motor/electronics

Electromagnetic compatibility
Emitted interference
Interference resistance
Speed control
Protection class
Insulation class
Mains connection
Speed n
Power consumption P_1
Current consumption I
Motor protection
Threaded cable connection PG

Materials

Pump housing
Impeller
Pump shaft
Bearing

Minimum suction head at suction port for avoiding cavitation at water pumping

Temperature
Minimum suction head at 50 / 95 / 110 °C

Information for order placements

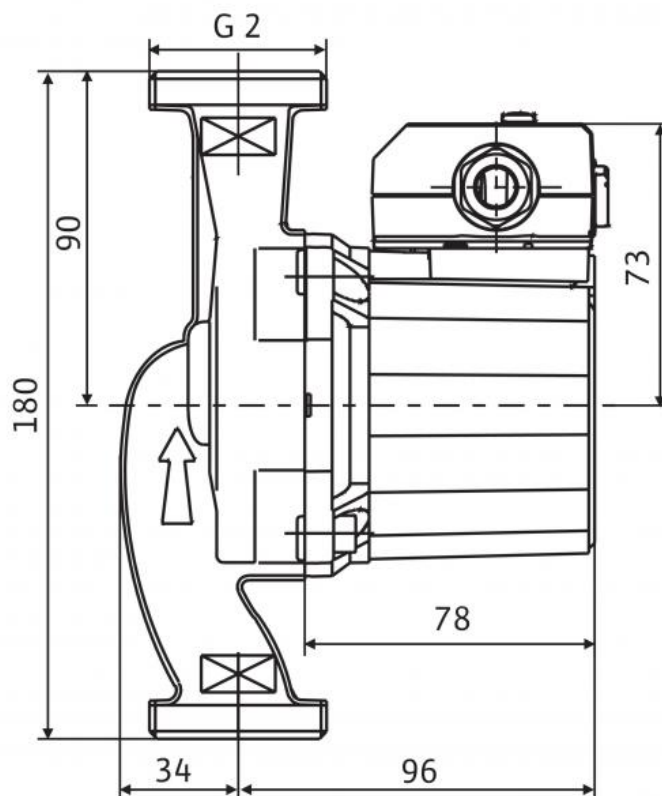
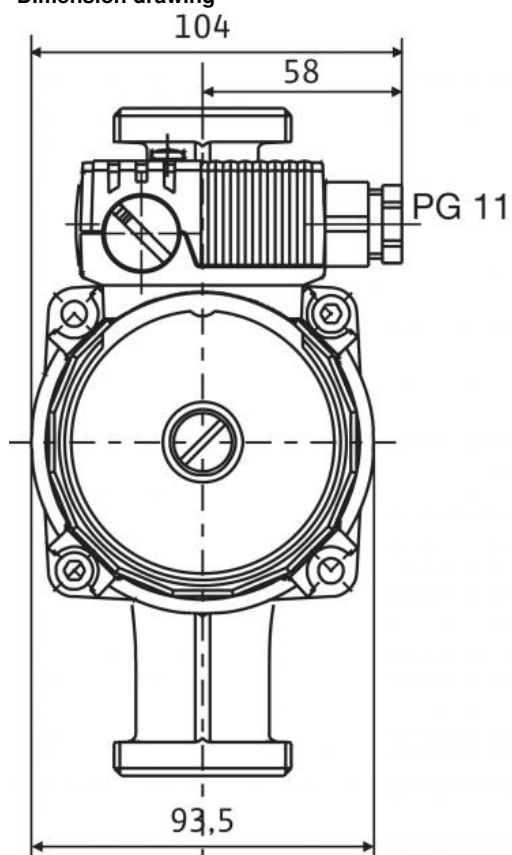
Make
Art no.
Type
Weight approx. m

Version ...RG with pump housing made of red brass

Version ...L with connection for quick aspirator

Dimensions and dimensions drawings: Star-RS 30/4

Dimension drawing



Motor horizontal
Terminal box positions for 3, 6, 9 and 12 o'clock possible

Pump curves: Star-RS 30/4

Pump curves

