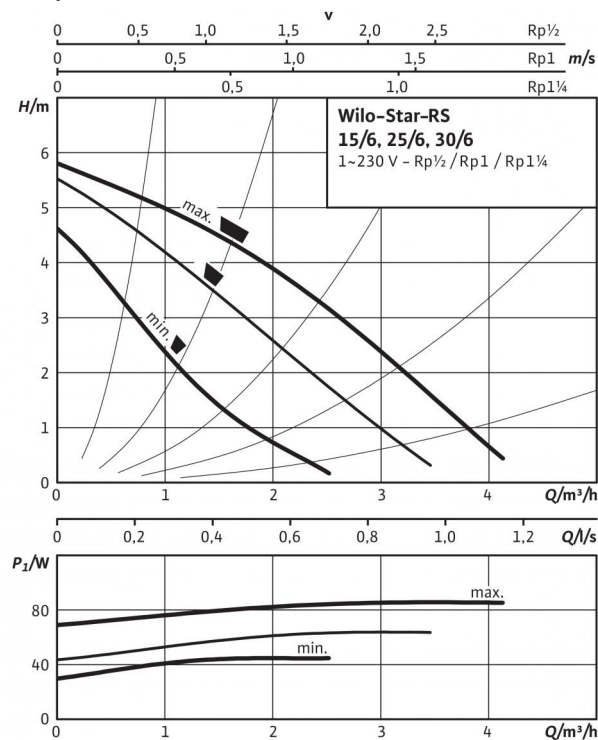
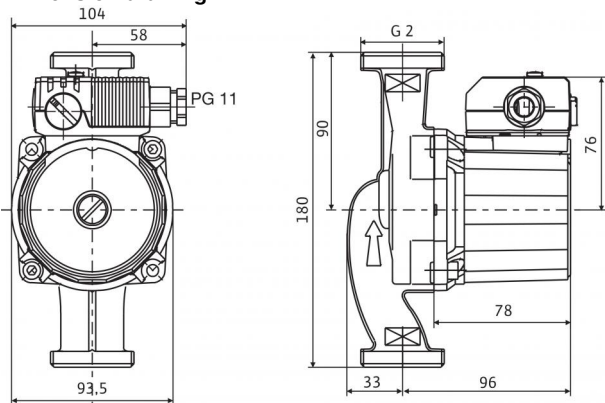


## Data sheet: Star-RS 30/6

### Pump curves

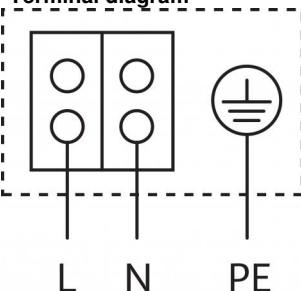


### Dimension drawing



Motor horizontal  
Terminal box positions for 3, 6, 9 and 12 o'clock possible

### Terminal diagram



Blocking current-proof motor  
Single-phase motor (EM) 2-pole - 1~230 V, 50 Hz  
With built-in capacitor

### Approved fluids (other fluids on request)

Heating water (in accordance with VDI 2035)  
Water-glycol mixtures (max. 1:1; above 20% admixture, the pumping data must be checked)

### Permitted field of application

Temperature range at max. ambient temperature +40 °C  
Maximum permissible operating pressure  $P_{max}$

### Pipe connections

Threaded pipe union  
Thread  
Overall length  $L_0$

### Motor/electronics

Electromagnetic compatibility  
Emitted interference  
Interference resistance  
Speed control  
Protection class  
Insulation class  
Mains connection  
Speed  $n$   
Power consumption  $P_1$   
Current consumption  $I$   
Motor protection  
Threaded cable connection  $PG$

### Materials

Pump housing  
Impeller  
Pump shaft  
Bearing

### Minimum suction head at suction port for avoiding cavitation at water pumping

Temperature  
Minimum suction head at 50 / 95 / 110 °C

### Information for order placements

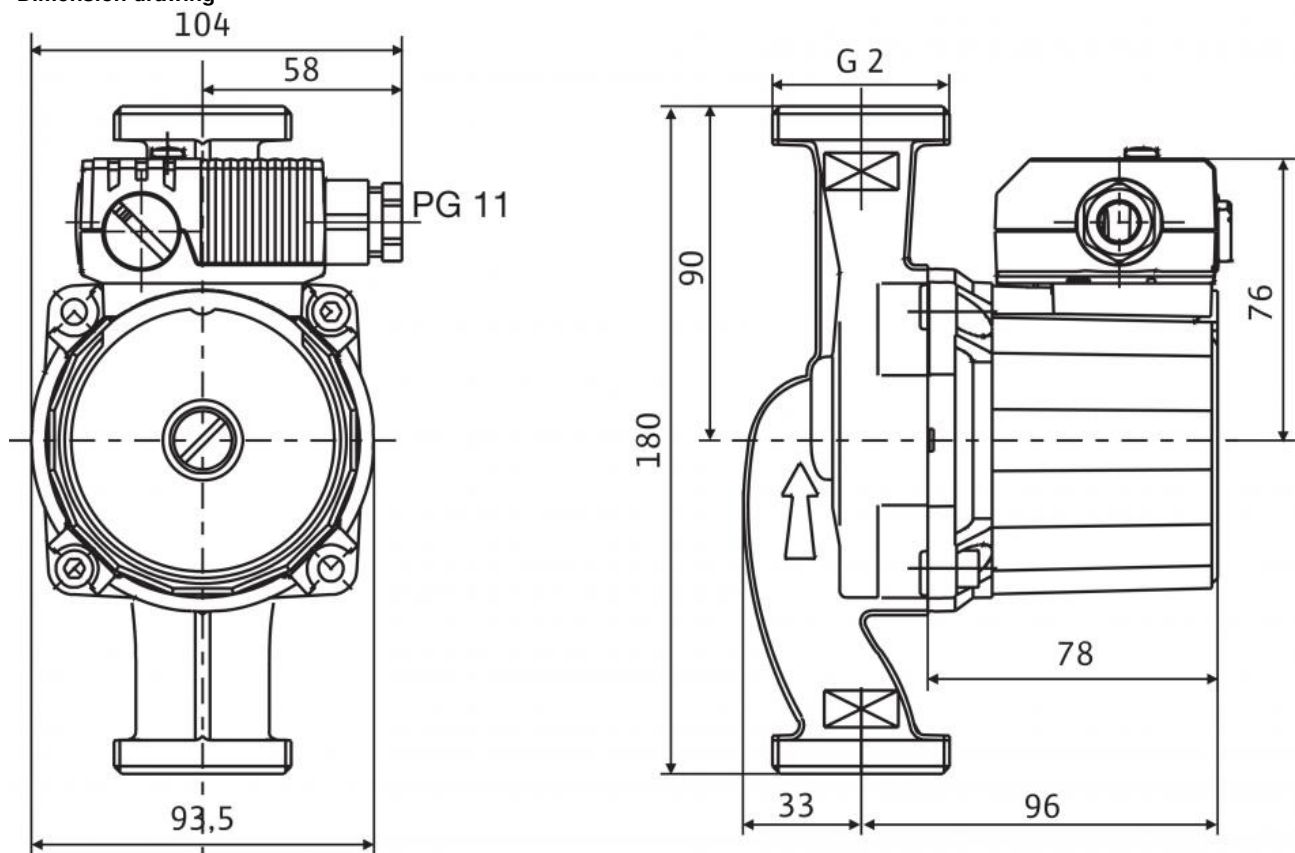
Make  
Art no.  
Type  
Weight approx.  $m$

Version ...RG with pump housing made of red brass

Version ...L with connection for quick aspirator

Dimensions and dimensions drawings: Star-RS 30/6

Dimension drawing



Motor horizontal  
Terminal box positions for 3, 6, 9 and 12 o'clock possible

## Pump curves: Star-RS 30/6

Pump curves

