



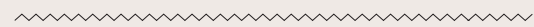


PIANO PLAIN

design meneghello paoelli
associati



Semplicità, linearità e raffinatezza: queste le parole chiave che meglio rappresentano Piano Plain. Un radiatore capace di soddisfare i gusti estetici di molti e che ben si adatta ad ogni stile abitativo, dal classico al moderno.








Simplicity, linearity and refinement: these are the keywords that best describe Piano Plain. The radiator is able to satisfy the aesthetic preferences of many and goes well with all types of home decor style, from classical to contemporary.

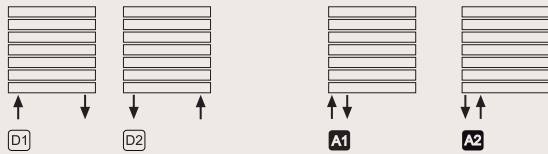
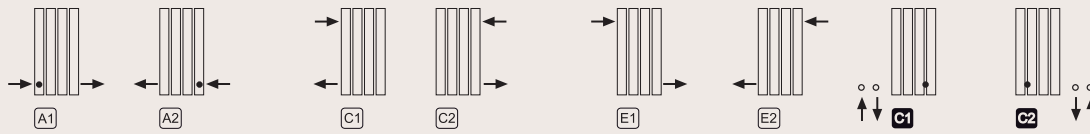
*Finitura fotografata in queste pagine:
RAL 9016 opaco.*

*Finish photographed on these pages:
RAL 9016 matt.*

PIANO PLAIN

hxb (cm)	n numero elementi/ elements number	peso a vuoto/ weight empty (kg)	volume d'acqua/ water volume (dm ³)	a (cm)	c (cm)	d (cm)	e (cm)	Qs resa termica/ thermal yield Δt 50°C (watt)	Q potenza elettrica/ electrical power (watt)	versione mista/ combined version	fissa/ not opening	fissa/ not opening
												
verticale/vertical												
60,0x36,7	3	5,8	0,47	50,0	5,0	-	-	319	-	-	•	-
60,0x48,8	4	7,7	0,63	50,0	5,0	-	-	425	-	-	•	-
60,0x61,0	5	9,6	0,79	50,0	5,0	-	-	531	-	-	•	-
60,0x73,1	6	11,6	0,94	50,0	5,0	-	-	637	-	-	•	-
60,0x85,3	7	13,5	1,10	50,0	5,0	-	-	743	-	-	•	-
60,0x97,4	8	15,4	1,26	50,0	5,0	-	-	849	-	-	•	-
60,0x109,6	9	17,4	1,41	50,0	5,0	-	-	955	-	-	•	-
70,0x36,7	3	6,8	0,53	60,0	5,0	-	-	361	-	-	•	-
70,0x48,8	4	9,1	0,70	60,0	5,0	-	-	481	-	-	•	-
70,0x61,0	5	11,4	0,87	60,0	5,0	-	-	602	-	-	•	-
70,0x73,1	6	13,6	1,05	60,0	5,0	-	-	722	-	-	•	-
70,0x85,3	7	15,9	1,22	60,0	5,0	-	-	842	-	-	•	-
70,0x97,4	8	18,2	1,40	60,0	5,0	-	-	962	-	-	•	-
70,0x109,6	9	20,4	1,57	60,0	5,0	-	-	1083	-	-	•	-
90,0x36,7	3	8,9	0,63	80,0	5,0	-	-	444	-	-	•	-
90,0x48,8	4	11,8	0,84	80,0	5,0	-	-	592	-	-	•	-
90,0x61,0	5	14,8	1,05	80,0	5,0	-	-	740	-	-	•	-
90,0x73,1	6	17,7	1,26	80,0	5,0	-	-	888	-	-	•	-
90,0x85,3	7	20,7	1,47	80,0	5,0	-	-	1036	-	-	•	-
90,0x97,4	8	23,6	1,68	80,0	5,0	-	-	1184	-	-	•	-
90,0x109,6	9	26,6	1,89	80,0	5,0	-	-	1332	-	-	•	-
130,0x36,7	3	13,0	0,84	120,0	5,0	-	-	605	-	-	•	-
160,0x36,7	3	16,0	1,00	150,0	5,0	-	-	723	-	-	•	-
190,0x36,7	3	19,1	1,16	180,0	5,0	-	-	840	-	-	•	-
190,0x48,8	4	25,5	1,55	180,0	5,0	-	-	1121	-	-	•	-
190,0x61,0	5	31,9	1,93	180,0	5,0	-	-	1402	-	-	•	-
190,0x73,1	6	38,3	2,32	180,0	5,0	-	-	1682	-	-	•	-
orizzontale/horizontal												
36,6x70,0	3	6,8	0,53	60,0	5,0	-	-	235	-	-	-	•
48,7x70,0	4	9,1	0,7	60,0	5,0	-	-	315	-	-	-	•
60,8x70,0	5	11,4	0,87	60,0	5,0	-	-	391	-	-	-	•
36,6x90,0	3	8,9	0,6	80,0	5,0	-	-	289	-	-	-	•
48,7x90,0	4	11,8	0,84	80,0	5,0	-	-	385	-	-	-	•
60,8x90,0	5	14,8	1,05	80,0	5,0	-	-	481	-	-	-	•
36,6x190,0	3	19,1	1,19	180,0	5,0	-	-	547	-	-	-	•
48,7x190,0	4	25,5	1,55	180,0	5,0	-	-	729	-	-	-	•
60,8x190,0	5	31,9	1,93	180,0	5,0	-	-	911	-	-	-	•

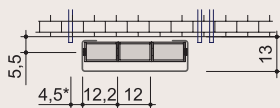
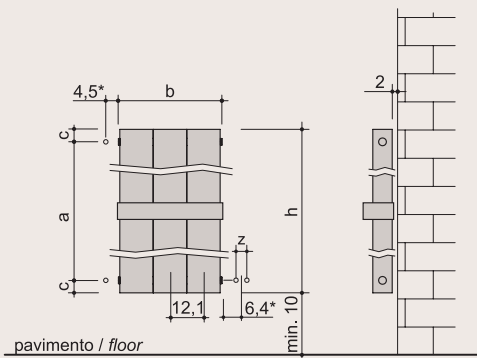
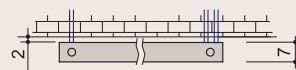
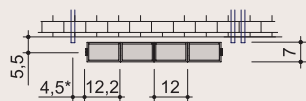
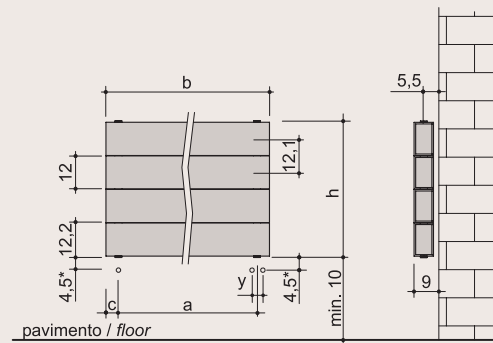
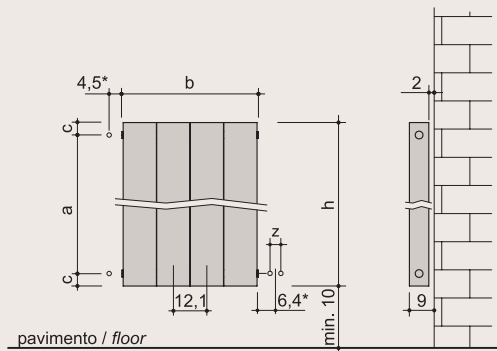
Per connessioni di tipo:
For connections type:



● = posizione diaframma
position of the diverter

Xn = allacci per impianti bitubo
/connections for double-pipe plants

Xn = allacci per impianti monotubo
/connections for mono-pipe plants



*.
utilizzando valvole Ridea
y.
attacco per impianto monotubo
interasse 4,0 cm per tubi rame,
multistrato e ferro filettato
utilizzando valvole Ridea
Z.
attacco per impianto monotubo
interasse 3,5 cm per tubi rame,
multistrato e ferro filettato
utilizzando valvole Ridea

~~~~~  
\*.  
using Ridea valves  
y.  
connection for single pipe  
4,0 cm centre to centre distance  
for copper, multilayer and iron  
threaded pipes using Ridea  
valves  
Z.  
connection for single pipe  
3,5 cm centre to centre distance  
for copper, multilayer and iron  
threaded pipes using Ridea  
valves