



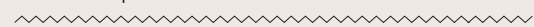


PIANO SHIFT

design meneghello paoelli
associati



Con i suoi elementi disallineati, pare proprio un pianoforte. Un radiatore vivo e in continuo cambiamento, in grado di riempire la stanza con una melodia di design ed eleganza. Ecco l'incontro perfetto tra arte e musica.








With its array of misaligned elements, this radiator really looks like a piano. Its constantly changing, lively appearance permeates the environment with a counterpoint of style and elegance. A perfect encounter between art and music.



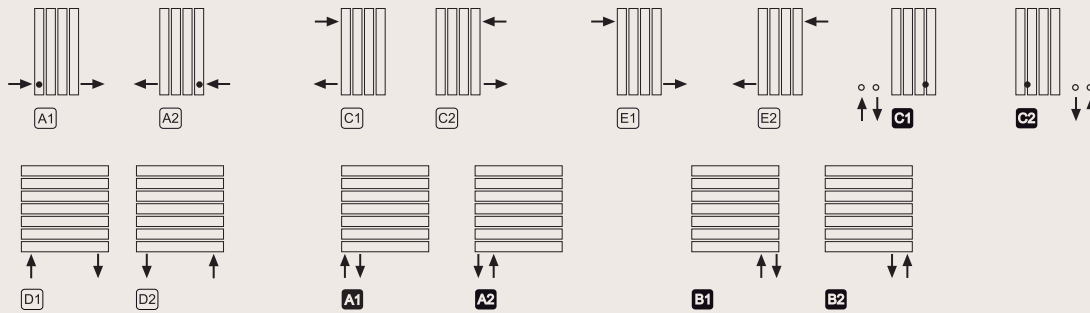
*Finitura fotografata in queste pagine:
RAL 9016 opaco.*

*Finish photographed on these pages:
RAL 9016 matt.*

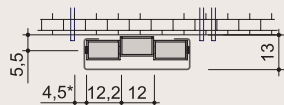
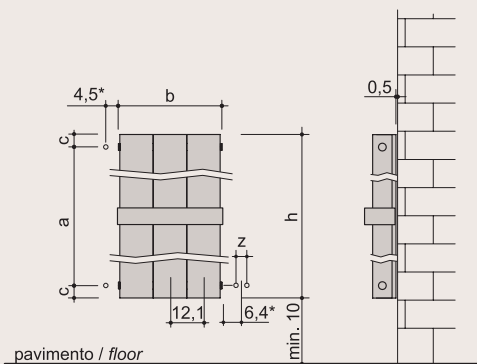
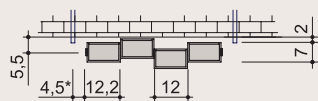
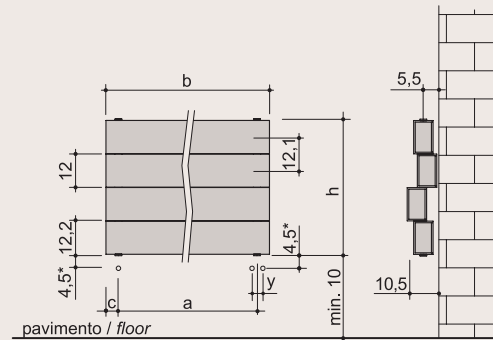
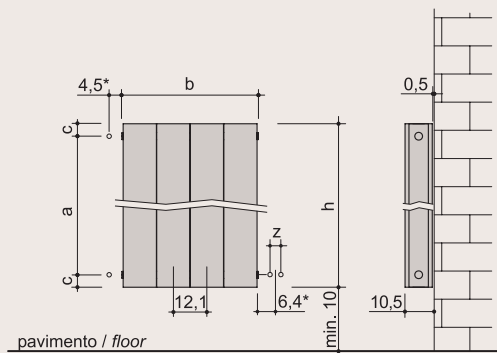
PIANO SHIFT

hxb (cm)	n numero elementi/ elements number	peso a vuoto/ weight empty (kg)	volume d'acqua/ water volume (dm ³)	a (cm)	c (cm)	d (cm)	e (cm)	Qs resa termica/ thermal yield Δt 50°C (watt)	Q potenza elettrica/ electrical power (watt)	versione mista/ combined version	fissa/ not opening	fissa/ not opening
												
verticale/vertical												
60,0x36,7	3	5,8	0,47	50,0	5,0	-	-	319	-	-	•	-
60,0x48,8	4	7,7	0,63	50,0	5,0	-	-	425	-	-	•	-
60,0x61,0	5	9,6	0,79	50,0	5,0	-	-	531	-	-	•	-
60,0x73,1	6	11,6	0,94	50,0	5,0	-	-	637	-	-	•	-
60,0x85,3	7	13,5	1,10	50,0	5,0	-	-	743	-	-	•	-
60,0x97,4	8	15,4	1,26	50,0	5,0	-	-	849	-	-	•	-
60,0x109,6	9	17,4	1,41	50,0	5,0	-	-	955	-	-	•	-
70,0x36,7	3	6,8	0,53	60,0	5,0	-	-	361	-	-	•	-
70,0x48,8	4	9,1	0,70	60,0	5,0	-	-	481	-	-	•	-
70,0x61,0	5	11,4	0,87	60,0	5,0	-	-	602	-	-	•	-
70,0x73,1	6	13,6	1,05	60,0	5,0	-	-	722	-	-	•	-
70,0x85,3	7	15,9	1,22	60,0	5,0	-	-	842	-	-	•	-
70,0x97,4	8	18,2	1,40	60,0	5,0	-	-	962	-	-	•	-
70,0x109,6	9	20,4	1,57	60,0	5,0	-	-	1083	-	-	•	-
90,0x36,7	3	8,9	0,63	80,0	5,0	-	-	444	-	-	•	-
90,0x48,8	4	11,8	0,84	80,0	5,0	-	-	592	-	-	•	-
90,0x61,0	5	14,8	1,05	80,0	5,0	-	-	740	-	-	•	-
90,0x73,1	6	17,7	1,26	80,0	5,0	-	-	888	-	-	•	-
90,0x85,3	7	20,7	1,47	80,0	5,0	-	-	1036	-	-	•	-
90,0x97,4	8	23,6	1,68	80,0	5,0	-	-	1184	-	-	•	-
90,0x109,6	9	26,6	1,89	80,0	5,0	-	-	1332	-	-	•	-
130,0x36,7	3	13,0	0,84	120,0	5,0	-	-	605	-	-	•	-
160,0x36,7	3	16,0	1,00	150,0	5,0	-	-	723	-	-	•	-
190,0x36,7	3	19,1	1,16	180,0	5,0	-	-	840	-	-	•	-
190,0x48,8	4	25,5	1,55	180,0	5,0	-	-	1121	-	-	•	-
190,0x61,0	5	31,9	1,93	180,0	5,0	-	-	1402	-	-	•	-
190,0x73,1	6	38,3	2,32	180,0	5,0	-	-	1682	-	-	•	-
orizzontale/horizontal												
36,6x70,0	3	6,8	0,53	60,0	5,0	-	-	235	-	-	-	•
48,7x70,0	4	9,1	0,7	60,0	5,0	-	-	315	-	-	-	•
60,8x70,0	5	11,4	0,87	60,0	5,0	-	-	391	-	-	-	•
36,6x90,0	3	8,9	0,6	80,0	5,0	-	-	289	-	-	-	•
48,7x90,0	4	11,8	0,84	80,0	5,0	-	-	385	-	-	-	•
60,8x90,0	5	14,8	1,05	80,0	5,0	-	-	481	-	-	-	•
36,6x190,0	3	19,1	1,19	180,0	5,0	-	-	547	-	-	-	•
48,7x190,0	4	25,5	1,55	180,0	5,0	-	-	729	-	-	-	•
60,8x190,0	5	31,9	1,93	180,0	5,0	-	-	911	-	-	-	•

Per connessioni di tipo:
For connections type:



- = posizione diaframma
position of the diverter
- Xn = allacci per impianti bitubo
/connections for double-pipe plants
- Xn = allacci per impianti monotubo
/connections for mono-pipe plants



*.
utilizzando valvole Ridea
y.
attacco per impianto monotubo
interasse 4,0 cm per tubi rame,
multistrato e ferro filettato
utilizzando valvole Ridea
Z.
attacco per impianto monotubo
interasse 3,5 cm per tubi rame,
multistrato e ferro filettato
utilizzando valvole Ridea
~~~~~  
\*.  
using Ridea valves  
y.  
connection for single pipe  
4,0 cm centre to centre distance  
for copper, multilayer and iron  
threaded pipes using Ridea  
valves  
Z.  
connection for single pipe  
3,5 cm centre to centre distance  
for copper, multilayer and iron  
threaded pipes using Ridea  
valves