
Wall hung, fanflue, roomsealed, high efficiency gas boiler

Service manual

Advance Plus ERP

Models	G.C. Appl. No.	
Advance Plus 25C ERP	47-583-35	COMBI BOILER
Advance Plus 30C ERP	47-583-36	COMBI BOILER
Advance Plus 35C ERP	47-583-37	COMBI BOILER
Advance Plus 25S ERP	41-583-28	SYSTEM BOILER
Advance Plus 30S ERP	41-583-29	SYSTEM BOILER

Leave this manual adjacent to the gas meter

Warning:



Service / repairs must be carried out, only by a qualified Gas Safe Registered Engineer, who will be responsible for the current Regulations for gas appliances.

Note:

After servicing, complete the relevant Service Interval Record section of the Benchmark Checklist of the user and installation manual.



TABLE OF CONTENTS

1 OVERALL INFORMATION.....	4	12 PRIMARY CIRCUIT PRESSURE SWITCH	33
1.1 Overall View	4	12.1 Function.....	33
1.2 Hydraulic diagram	4	12.2 Checks.....	33
2 GENERAL ACCESS AND EMPTYING HYDRAULIC CIRCUITS	5	12.3 Removal	33
2.1 Nomenclature	5	13 EXPANSION VESSEL AND PRESSURE GAUGE	34
2.2 Case panels.....	5	13.1 Function.....	34
2.3 Control panel	6	13.2 Checks.....	34
2.4 Main electronic p.c.b. box	6	13.3 Removal of the expansion vessel	34
2.5 Emptying the primary circuit	7	13.4 Removal of the temperature-pressure gauge	35
2.6 Emptying the D.H.W. circuit.....	7	14 D.H.W. FLOW SWITCH, FILTER AND FLOW LIMITER ..	36
3 DIAGRAMS	8	14.1 Function.....	36
3.1 Wiring diagram Advance Plus 25C ERP - Advance Plus 30C ERP - Advance Plus 35C ERP.....	8	14.2 Description and location of parts - (Figure 14.2).....	36
3.2 Wiring diagram Advance Plus 25S ERP - Advance Plus 30S ERP	9	14.3 Removal of the sensor.....	36
3.3 Circuit voltages	10	14.4 Checks.....	36
4 FAULT FINDING.....	11	14.5 Removal of the flow switch group and D.H.W. circuit filter ..	37
4.1 Display diagnostic	13	14.6 Flow limiter	37
4.2 Programming the maintenance period	13	15 TEMPERATURE PROBE.....	38
5 CONDENSING HEAT EXCHANGER.....	14	15.1 Function.....	38
5.1 Function.....	14	15.2 Checks.....	38
5.2 Removal	14	15.3 Removal of the C.H. Temperature probe.....	38
5.3 Cleaning	15	15.4 Removal of the D.H.W. Temperature probes.....	38
6 D.H.W. HEAT EXCHANGER	16	16 BY-PASS VALVE	40
6.1 Function.....	16	16.1 Function.....	40
6.2 Removal	16	16.2 Removal	40
7 PUMP.....	17	17 FAN AND AIR BOX	41
7.1 Function.....	17	17.1 Function.....	41
7.2 Removal pump	17	17.2 Removal of the Air box and the Fan	41
8 THREE WAY DIVERTER VALVE.....	18	18 IGNITION, DETECTION ELECTRODES AND BURNER ..	42
8.1 Function.....	18	18.1 Function.....	42
8.2 Checks.....	18	18.2 Removal of the Ignition and detection electrodes	42
8.3 Removal of the electric actuator	18	18.3 Removal of the burner.....	42
8.4 Removal of the three way diverter valve	19	18.4 Removal of the front insulation panel	43
8.5 Removal of the diverter group.....	19	18.5 Removal of the rear insulation.....	43
9 MAIN ELECTRONIC CONTROL/IGNITION P.C.B.....	20	18.6 Checks.....	43
9.1 Function.....	20	19 SAFETY THERMOSTAT	45
9.2 Selection and adjustment devices.....	20	19.1 Function.....	45
9.3 Checking the temperature.....	21	19.2 Checks.....	45
9.4 Setting the boiler control function modes	22	19.3 Removal	45
9.5 Checks.....	24	20 FLUE TEMPERATURE PROBE NTC - FLUE THERMAL FUSE AND SAFETY THERMAL FUSE.....	46
9.6 Removal of the electronic control p.c.b.....	24	20.1 Function.....	46
9.7 Thermal control in the  mode.....	25	20.2 Removal	46
9.8 Thermal control in the  mode.....	26	20.3 Checks.....	46
10 CONTROL PANEL ELECTRONIC P.C.B.....	27	21 CONDENSATE TRAP	48
10.1 Function.....	27	21.1 Function.....	48
10.2 Normally information	27	21.2 Check the cleanness of the trap	48
10.3 Info modality	28	21.3 Removal	48
10.4 Function modes setting modality.....	28	22 SHORT SPARE PARTS LIST	49
10.5 Removal of the control panel electronic p.c.b	28		
11 GAS VALVE	30		
11.1 Function.....	30		
11.2 Description of the parts	30		
11.3 Adjustment.....	30		
11.4 Checks.....	32		
11.5 Removal of the gas valve	32		

OVERALL INFORMATION

1 OVERALL INFORMATION

1.1 Overall View

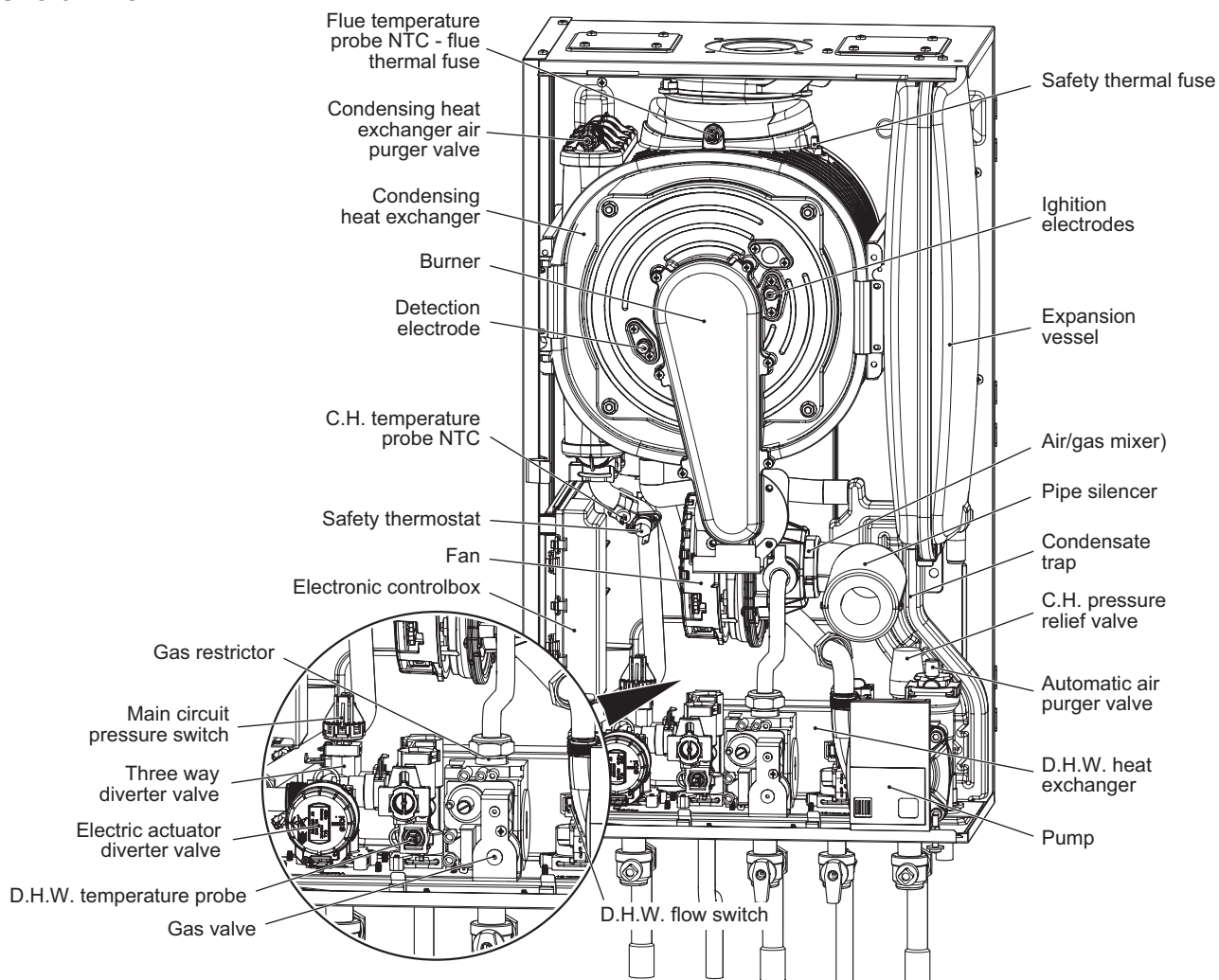


Figure 1.1

1.2 Hydraulic diagram

Central heating (C.H.) operation

Domestic hot water (D.H.W.) operation

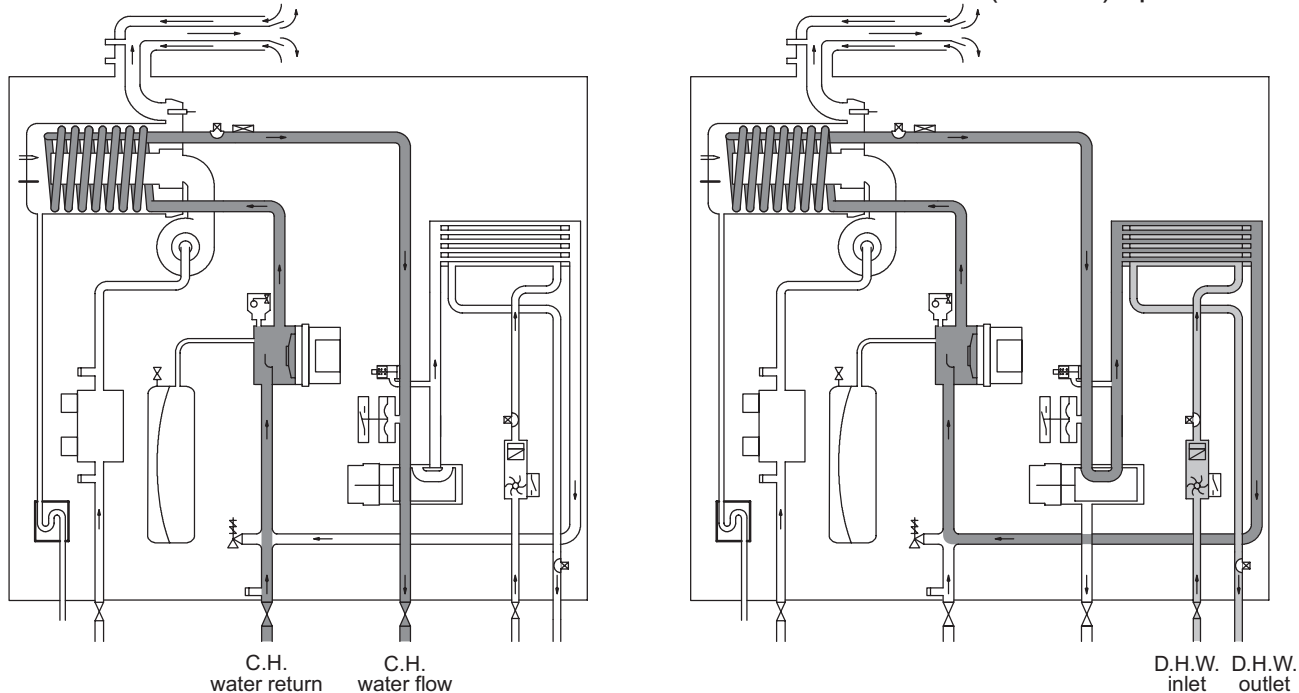


Figure 1.2

GENERAL ACCESS AND EMPTYING HYDRAULIC CIRCUITS

2 GENERAL ACCESS AND EMPTYING HYDRAULIC CIRCUITS

2.1 Nomenclature

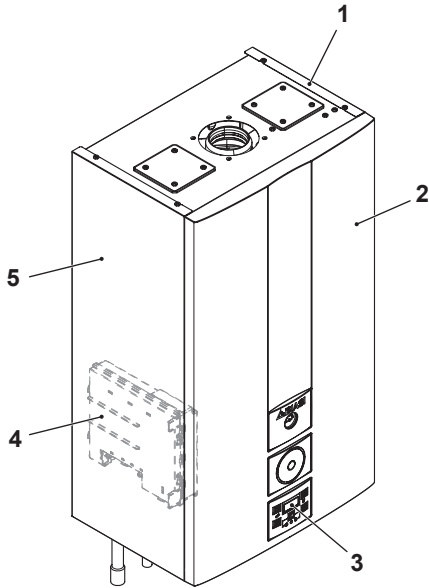


Figure 2.1

- 1 Right side panel
- 2 Front panel
- 3 Control panel
- 4 Main electronic p.c.b. box
- 5 Left side panel

2.2 Case panels



Warning: isolate the boiler from the mains electricity supply before removing any covering or component.

For the most part of the check and maintenance operations it is necessary to remove one or more panels of the case.

The side panels can be removed only after the removal of the front panel.

To remove the front panel loosen screws "A" (Figure 2.2), lift the panel and remove it.

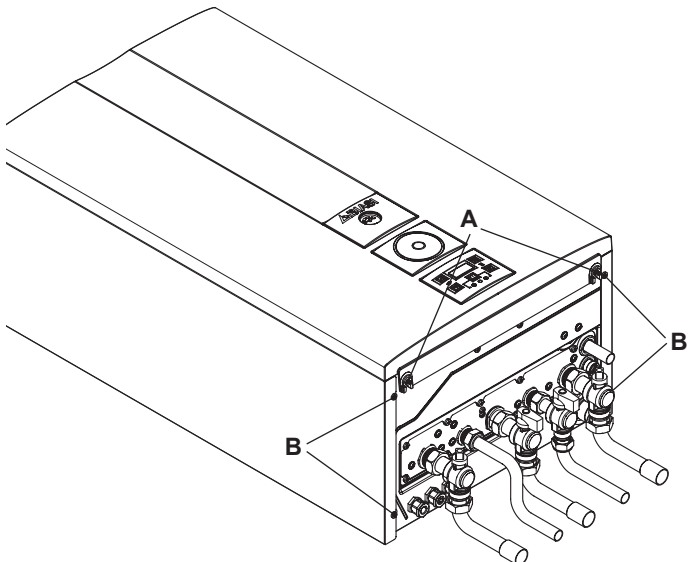


Figure 2.2 - Bottom view of the boiler

Pull the lower part of the front panel and lift it upwards (Figure 2.3).

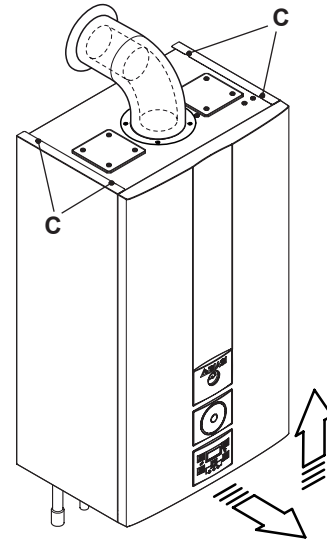


Figure 2.3

To remove the side panels loosen the screws "B" (Figure 2.2) and "C" (Figure 2.3).

Pull the side panels towards the outside.

To Fit the case panels

Fit the side case panels.



Warning: Fit the front panel hooking it on the upper side.

Push the spring towards the internal side of the boiler and simultaneously push the front case panel until it is completely hold in place (Figure 2.4 step 1, 2).

Repeat the same operation on the opposite side of the front panel (Figure 2.4 step 3, 4).

Ensure that the front panel edge is close-fitting to the side panels. Lock in place the panel with the appropriate screws.

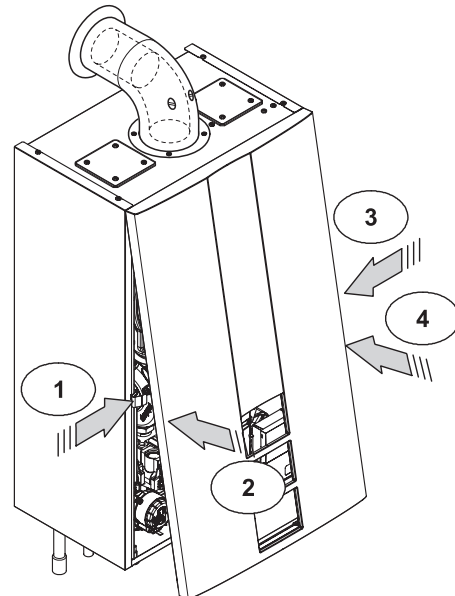


Figure 2.4

GENERAL ACCESS AND EMPTYING HYDRAULIC CIRCUITS

2.3 Control panel



Warning: isolate the boiler from the mains electricity supply before removing any covering or component.

To gain access to the parts located inside the control panel proceed as follows:

- 1 Remove the front panel of the case
- 2 Unscrew the screw "D" (Figure 2.5).
- 3 Free the hooks indicated and rotate the lid towards left.

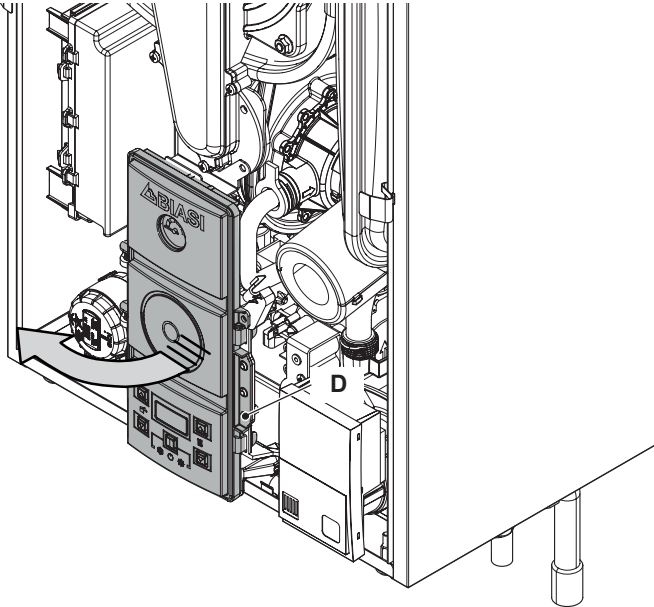


Figure 2.5

- 4 To access to the parts located behind the control panel to free the hook "E" and turn it as shown in Figure 2.6.

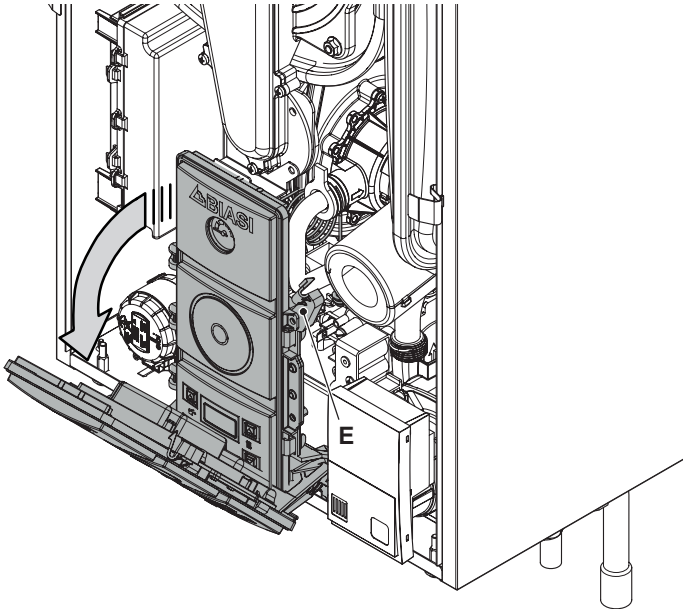


Figure 2.6

2.4 Main electronic p.c.b. box



Warning: isolate the boiler from the mains electricity supply before removing any covering or component.

To gain access to the parts located into main electronic p.c.b. box proceed as follows:

- 1 Remove the front panel of the case.

Terminal block lid removal

- 2 To remove the terminal block lid "F" (Figure 2.7), free the front hooks.

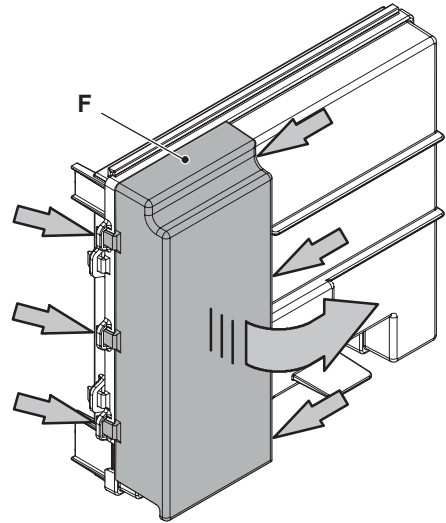


Figure 2.7

- 3 Slightly rotate the lid as indicated by the curved arrow and free the rear hooks.
- 4 Remove the lid.

Main electronic p.c.b. lid removal

To get access to the main electronic p.c.b.:

- 5 Pull the box that contains the electronic p.c.b. and rotate it (Figure 2.8).

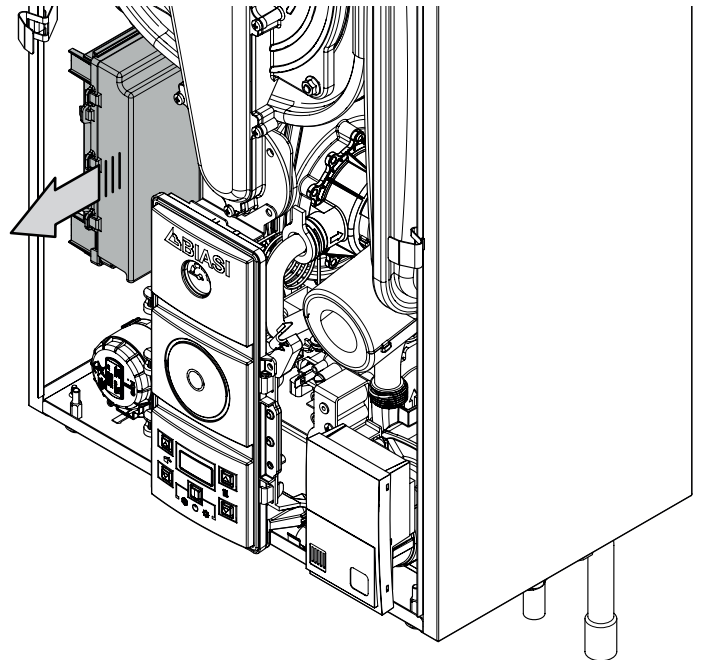


Figure 2.8

- 6 Remove the terminal block lid "F" (Figure 2.7).
- 7 Free the hooks placed on the three sides indicated and rotate the lid towards left (Figure 2.9).

GENERAL ACCESS AND EMPTYING HYDRAULIC CIRCUITS

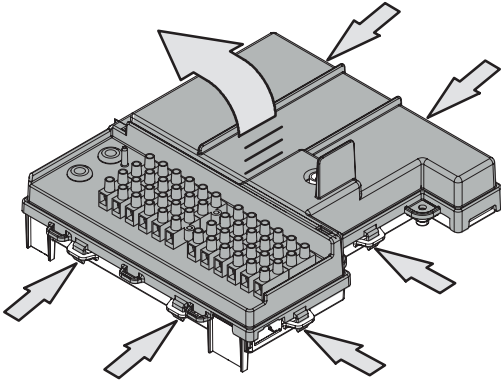


Figure 2.9

2.5 Emptying the primary circuit

- 1 Close the C.H. circuit flow and return cocks "G" (Figure 2.10).

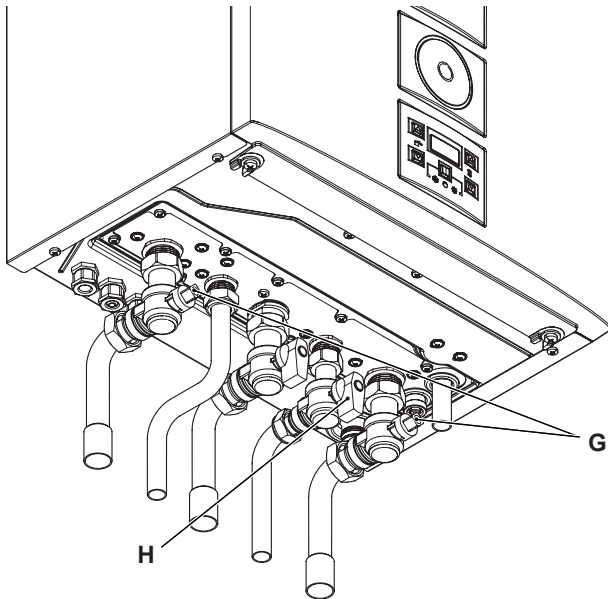


Figure 2.10

- 2 Remove the front and right panels of the boiler.
- 3 Loosen the central heating drain cock "I" (Figure 2.11) until the boiler is completely emptied.

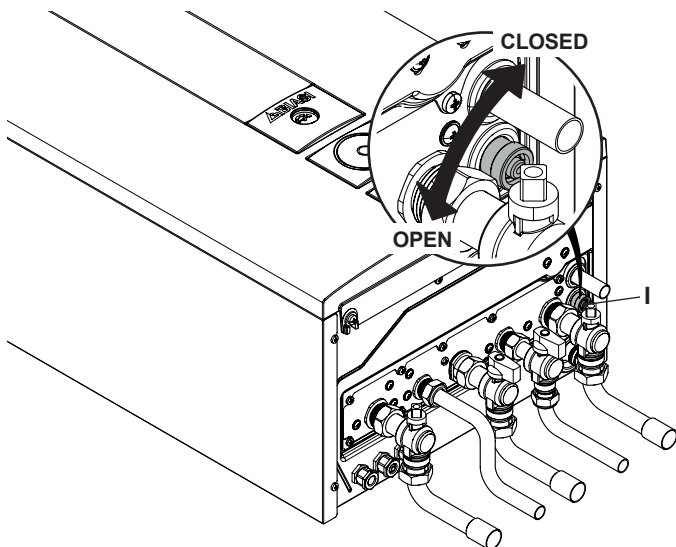


Figure 2.11

- 4 To make draining easier, lift the plug "J" of the automatic relief valve in Figure 2.12.

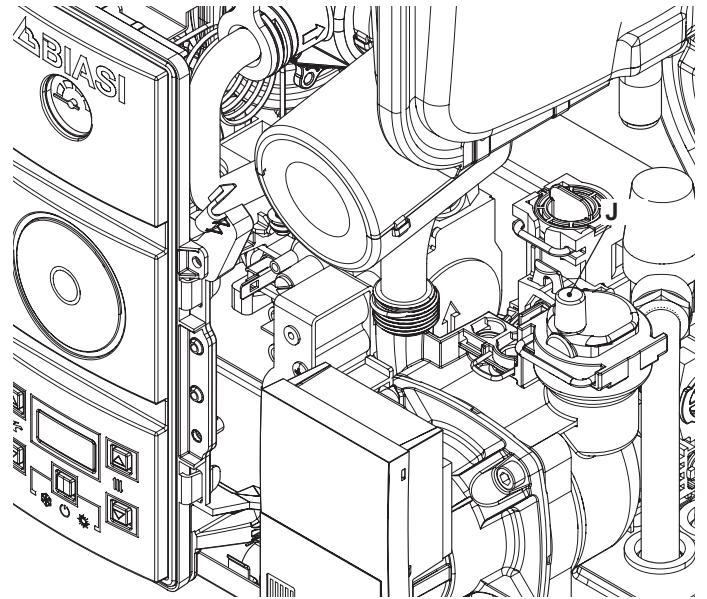


Figure 2.12

2.6 Emptying the D.H.W. circuit

- 1 Close the D.H.W. inlet cock "H" (Figure 2.10).
- 2 Open one or more hot water taps until the boiler has been completely emptied.

DIAGRAMS

3 DIAGRAMS

3.1 Wiring diagram Advance Plus 25C ERP - Advance Plus 30C ERP - Advance Plus 35C ERP

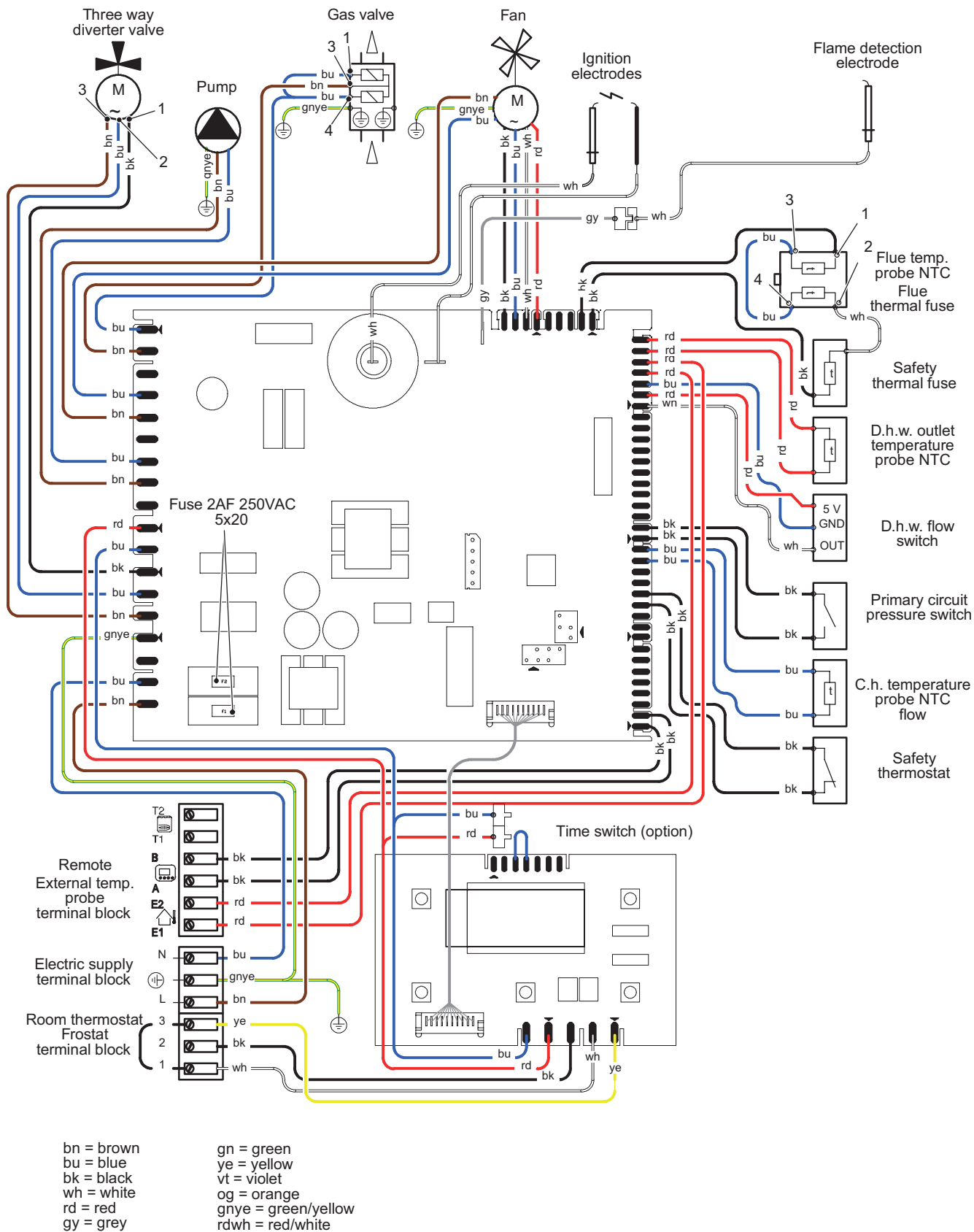


Figure 3.1

DIAGRAMS

3.2 Wiring diagram Advance Plus 25S ERP - Advance Plus 30S ERP

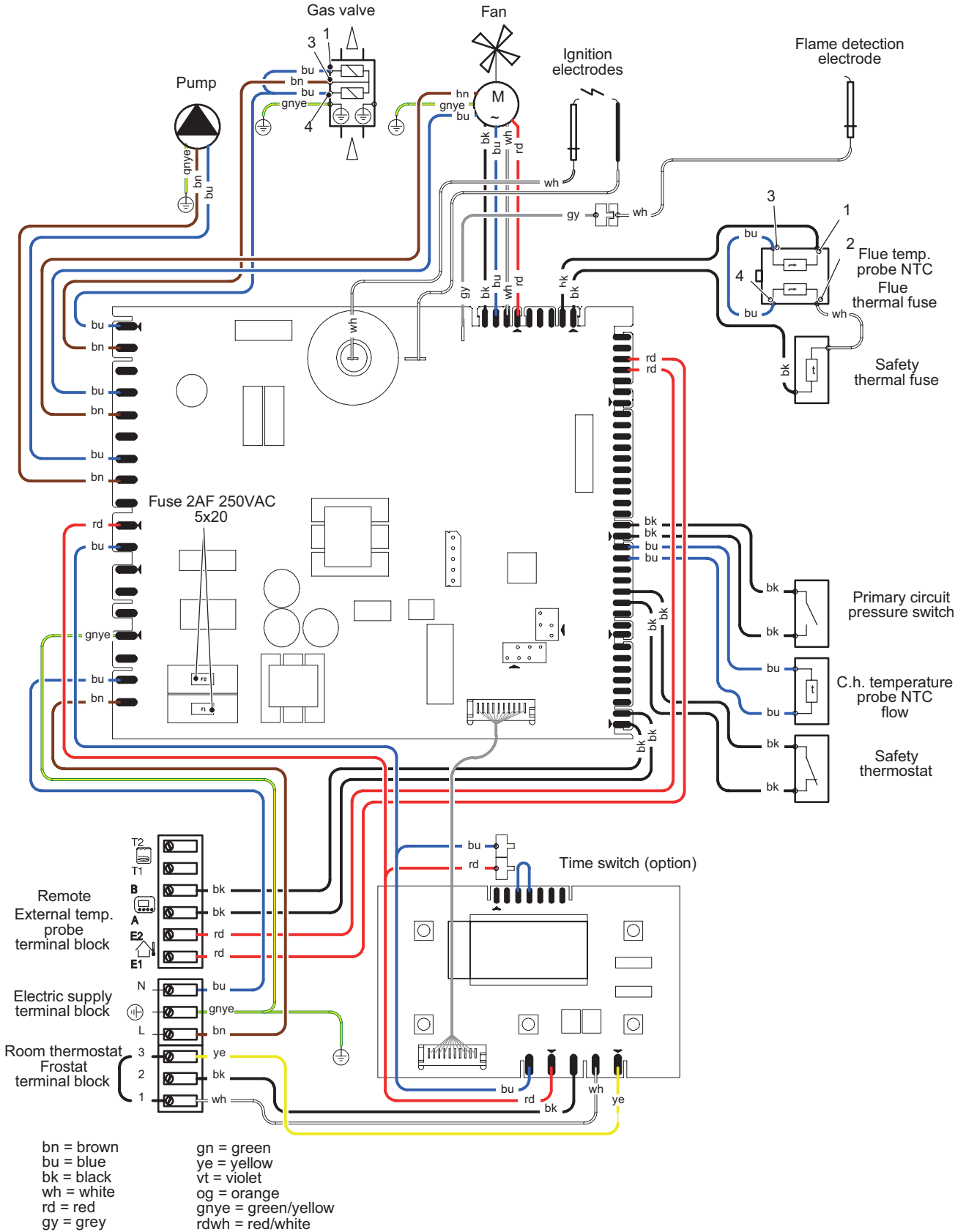


Figure 3.2

DIAGRAMS

3.3 Circuit voltages

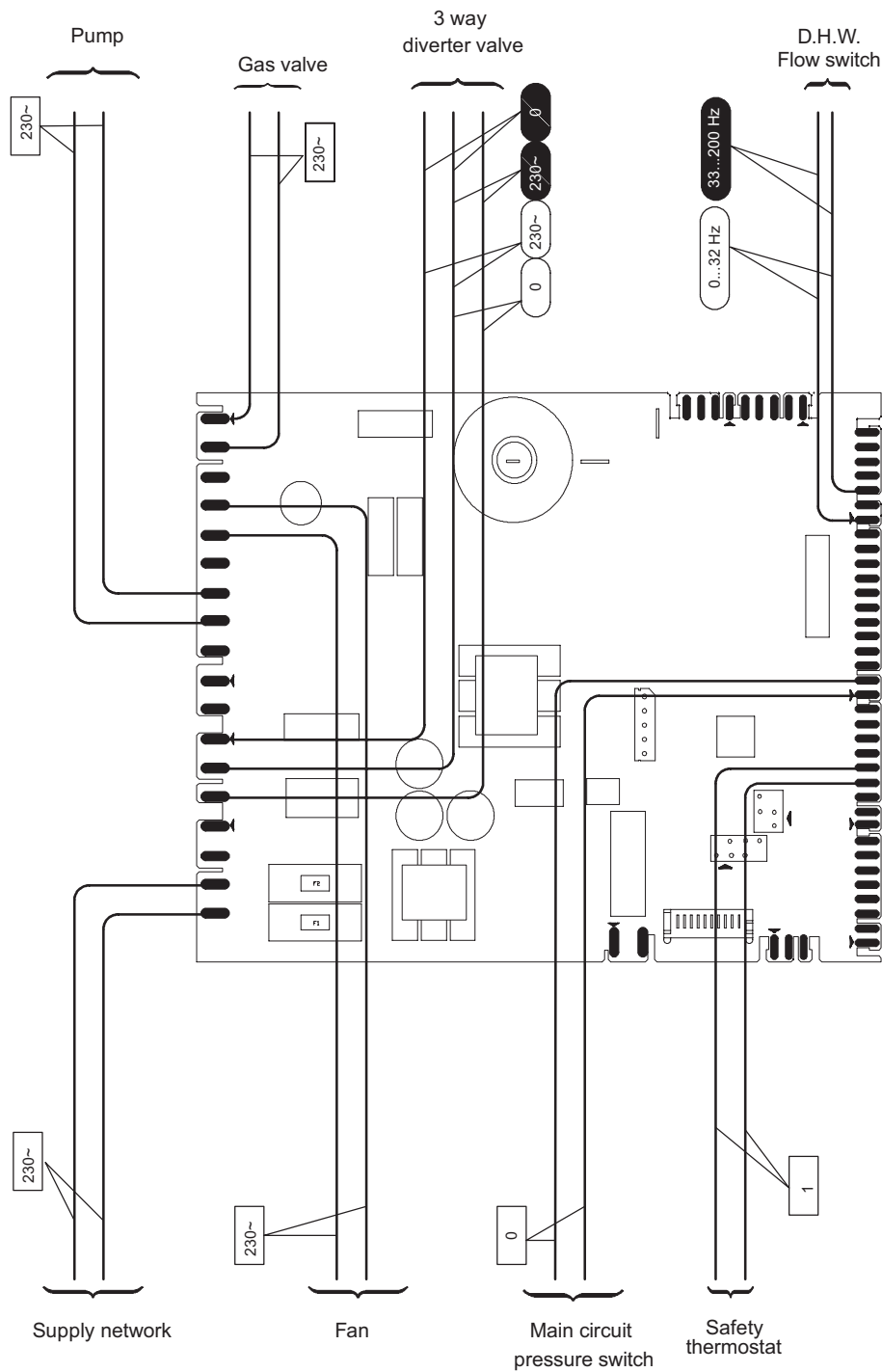
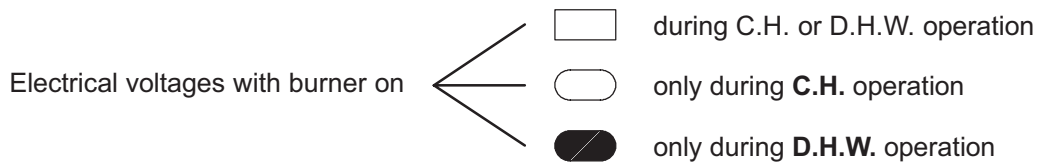




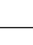




Figure 3.3

FAULT FINDING

4 FAULT FINDING

FAULT FINDING

Section of the manual → (note ref. in brackets)	Components to check																									
	(1)	(2)	(3)	21.1	(4)	5	6	7.2	8.2	14.3	9.5	10	11.4	12.2	14.5	15.2	16	17	18.4	19.2	19.2	20.1	(7)	-	-	
Appliance lock-out (*) ↓ Defect →	Power supply line	Gas supply line	Flue pipes	Cond. drain pipe and trap	C.H. circuit	D.H.W. circuit	Condensing heat exchanger	D.H.W. heat exchanger	Pump	Diverter valve	Fuses (Electronic p.c.b.) Main electronic p.c.b.	Control panel electr. p.c.b.	Gas valve	Main circuit pressure switch	D.H.W. filter	Main circuit temp. probe D.H.W. temp. probe	By-pass valve	Fan / air restrictor	Ignition electrode Detection electrode	Safety thermostat	Gas restrictor	Flue temp. probe NTC	Expansion vessel	Safety valve	Pressure gauge	External temp. probe
Er 01 + RESET	A		B			C						D	A						C	B						
Er 02 + RESET																										
Er 03 + RESET											A															
Er 04 + 								B																A		
Er 05 + 																		A								
Er 06 + 															A											
Er 07 + 																										
Er 08 + 																A										
Er 09 + 																										A
Er 10 + RESET																										
Er 11				A																						
Er 14 + RESET					A																					
Er 14 + 					A																					
Er 25 + RESET																										
Li 01							A																			

The letter in the cells indicates the possible fault cause.
A.....Z indicates the most probably (**A**) to less probably (**...Z**)








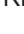




FAULT FINDING

4.1 Display diagnostic

The display indications provide help in the diagnosis of fault finding.

The control panel display gives other information for the user.

The following table gives fault code, error and the reason for the fault.

Er 01 + RESET	Lack of burner ignition on safety lockout
Er 02 + RESET	Safety thermostat intervention lockout
Er 03 + RESET	General lockout
Er 04 + 	Faulty primary circuit (no water or absence of flow)
Er 05 + 	Faulty fan control system
Er 06 + 	Faulty C.H. temperature probe NTC
Er 07 + 	Faulty D.H.W. temperature probe NTC
Er 08 + 	Faulty external temperature probe NTC
Er 09 + 	Faulty flue temperature probe NTC
Er 10 + RESET	Flue probe intervention lockout
An 11	Flame detection error (An flashing + number error flashing)
Er 12 + 	Faulty central heating temp. probe NTC (return)
Er 13 + 	DT delivery-return >40K
Er 14 + RESET	Faulty pump (absence of water flow in the main circuit) or primary temperature above 105 °C
Er 14 + 	Faulty primary circuit (no water or absence of flow) (temperature increase > 2K/s) (the boiler can't restart for 10 minutes)
Er 19 + 	Domestic hot water inlet probe failure (if present)
Er 25 + RESET	Flame detection error
Er 69	Wiring error lockout
Li 01	Primary circuit temperature limit during D.H.W. operation
 65  °C	Maintenance required The wrench symbol is flashing (without showing any error)

4.2 Programming the maintenance period

- 1 To enter in the parameters setting mode press sequentially the 3 keys "B - C - A" (Figure 4.1) and hold in for 10 second until the display shows Figure 4.2.

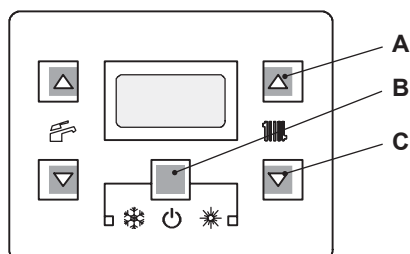


Figure 4.1

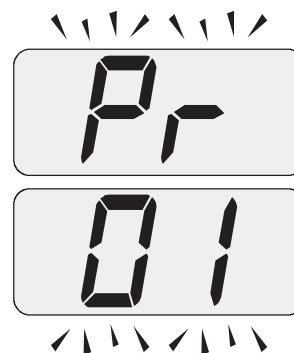


Figure 4.2

- 2 Scroll the various parameters using keys "A" or "C" (Figure 4.1) until the LCD display indicates the letters **Pr**, alternating with the code **28**, indicating entry in "parameter 28" (Figure 4.3).

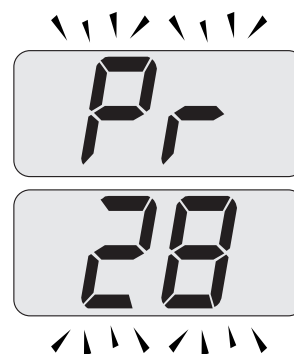


Figure 4.3

- 3 Press keys "B" and "A" (Figure 4.1) at the same time until the LCD display indicates the value of parameter 28 (e.g. **12** default value) Figure 4.4.

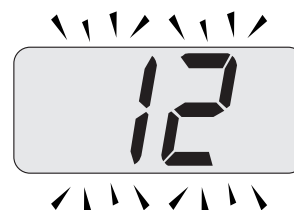
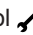


Figure 4.4

- 4 Pressing key "A" makes it possible to change the value of parameter 28 from **0** to **48** months. It is possible to set parameter 28 to **99** thereby disabling the maintenance request (symbol  will disappear from the display).
- 5 By pressing key "B" (Figure 4.1) confirmation of the inserted value is obtained.
- 6 By pressing keys "B" and "C" (Figure 4.1) together, you will exit without changing the value (return to parameter list Figure 4.3).
- 7 Press keys "B - C - A" (Figure 4.1) together for 10 seconds to exit "programming mode".

CONDENSING HEAT EXCHANGER

5 CONDENSING HEAT EXCHANGER

5.1 Function

The Condensing heat exchanger "A" in Figure 5.1 has the function of transferring heat produced from combustion of the gas and from the flue exhausted gas to the water circulating in it.

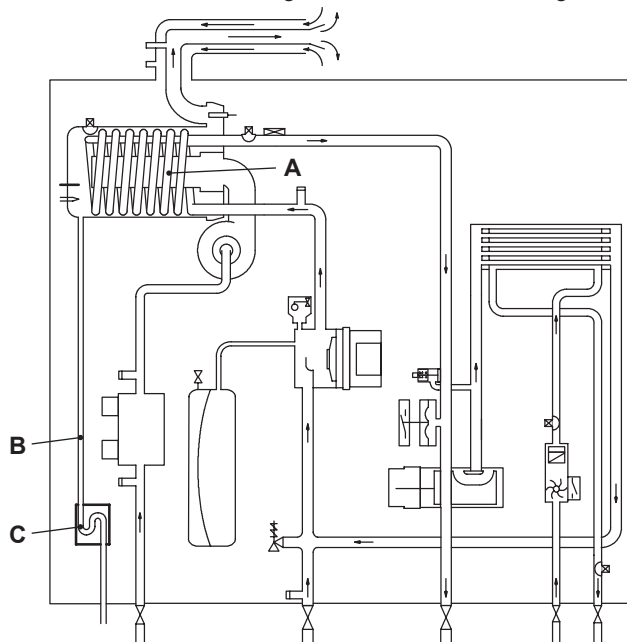


Figure 5.1

By reducing the combustion products temperature, the latent heat of the vapour is transferred to the water circuit, allowing an extra gain of useful heat.

The condensed vapour is then drained through the condensate trap "C" and the draining pipe "B".

5.2 Removal



Warning: isolate the boiler from the mains electricity supply before removing any covering or component.

- 1 Disconnect the flue system from the boiler.
- 2 Remove the fan group (rubber pipe, gas pipe) following the instructions from 1 to 6 in section "17.2 Removal of the Air box and the Fan" on page 41.
- 3 Disconnect the detection electrode connector "D", the ignition electrodes connector "E" and the earth wire "F".
- 4 Disconnect the fan connector "G" by pressing the plastic hook placed on the side of the connector (Figure 5.2).
- 5 Unscrew the connector "M" and remove the pipe "L" (Figure 5.2).
- 6 Unscrew the nuts "H" (Figure 5.2).
- 7 Remove the fan-burner group "I".
- 8 Empty the primary circuit of the boiler.
- 9 Remove the clips "J" (Figure 5.2).
- 10 Loosen the connection "L" and slightly move the pipe "K" upwards, turn it towards left (Figure 5.2) and then move the pipe downwards freeing it from the Condensing heat exchanger.
- 11 Loosen the connection "O" and slightly move the pipe "P" upwards, turn it towards left (Figure 5.2) and then move the pipe downwards freeing it from the Condensing heat exchanger.

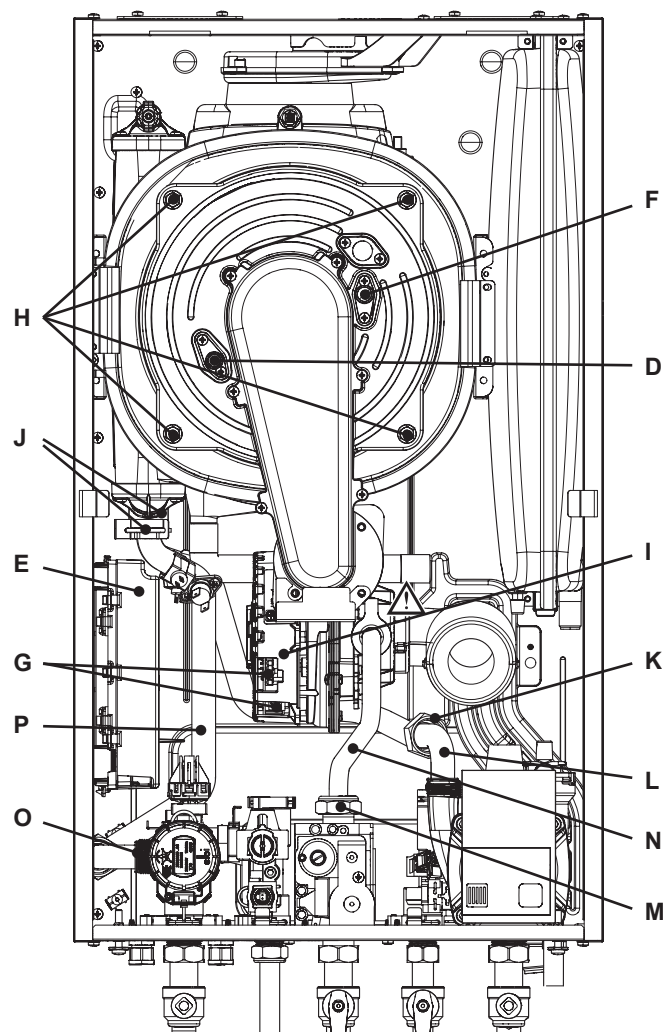


Figure 5.2

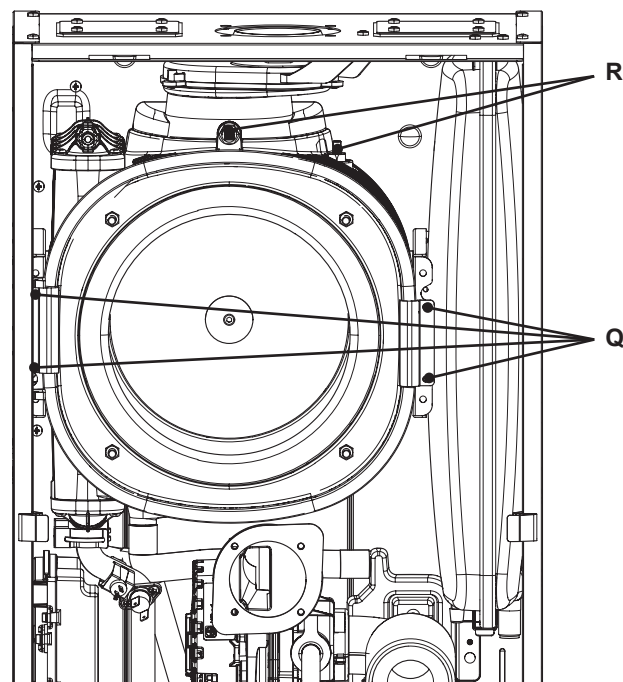


Figure 5.3

- 12 Unscrew the screws "Q" and remove the clamps (Figure 5.3).
- 13 Disconnect the two connectors "R" by pressing the plastic hook placed on the side of the connector (Figure 5.3).
- 14 Remove the Condensing heat exchanger by levering it and sliding it forwards.

CONDENSING HEAT EXCHANGER

15 Reassemble the Condensing heat exchanger carrying out the removal operations in reverse order.

Ensure to tighten the nuts "H" - Figure 5.2 firmly.

5.3 Cleaning

If there are deposits of dirt on the coil of the Condensing heat exchanger, clean with a bristle paintbrush and remove the dust with a Hoover.



Warning: After cleaning or replacement as detailed above, it is deemed necessary to undertake a combustion analysis as detailed in chapter "11.3 Adjustment" on page 30 section "11 GAS VALVE" on page 30.

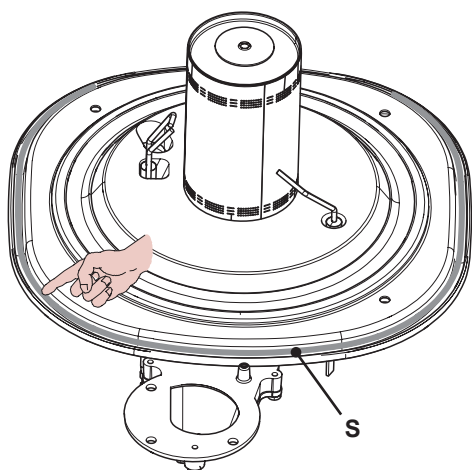


Figure 5.4

Caution:

After any periodical servicing or disturbance the combustion chamber silicon seal "S" Figure 5.4 and the Air-gas duct gasket (Figure 5.5) must be fully inspected and replaced at the discretion of the service engineer.

After any disturbance to the chamber door seal the appliance must undergo a full analytical combustion performance check.



Remove any limescale from the detection electrode and replace it if worn.

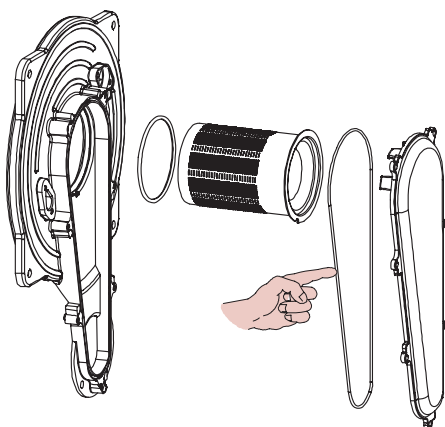


Figure 5.5

6 D.H.W. HEAT EXCHANGER

6.1 Function

The D.H.W. heat exchanger "A" in Figure 6.1 and Figure 6.3 allows the instantaneous transfer of heat from the primary hydraulic circuit to the water destined for D.H.W. use.

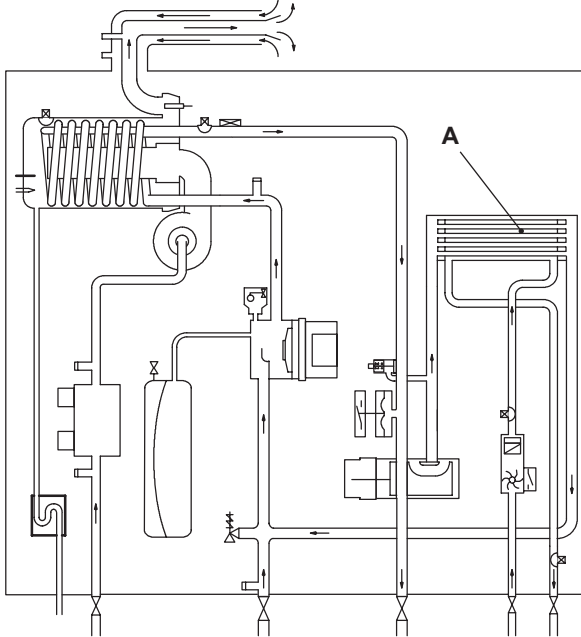


Figure 6.1

The schematic structure is shown in Figure 6.2.

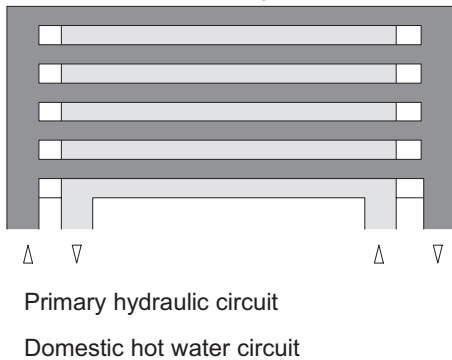


Figure 6.2

6.2 Removal



Warning: isolate the boiler from the mains electricity supply before removing any covering or component.

- 1 Remove the panels of the case.
- 2 Empty the primary circuit and the D.H.W. circuit of the boiler.
- 3 Remove the control panel following the instructions from 4 in section 2.3.
- 4 Remove main electronic p.c.b. box following the instructions from 5 in section 2.4.
- 5 Completely unscrew the Allen key screws "B" in Figure 6.3 which hold the exchanger to the plastic groups.

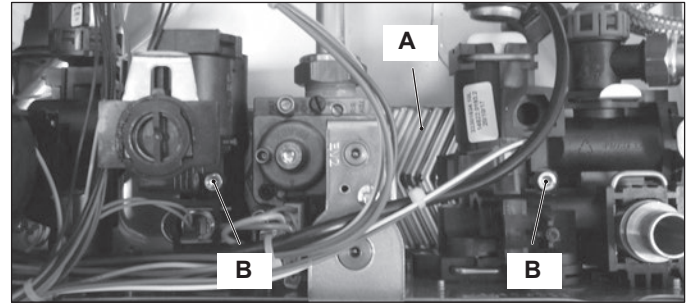


Figure 6.3

- 6 Move the exchanger towards the rear of the boiler and extract it to the left.

Reassemble the D.H.W. heat exchanger carrying out the removal operations in the reverse order.



Warning: to lubricate the O-ring gaskets exclusively use a silicone base grease compatible to be in contact with foods and approved by the local water Authorities.



Warning: When reassembling the exchanger be sure to put the off center location/securing pin indicated in Figure 6.4 towards the left side of the boiler.

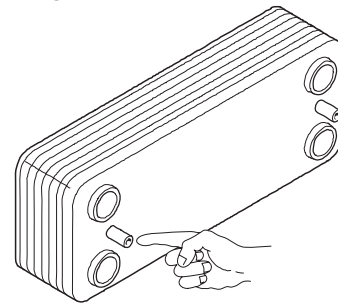


Figure 6.4

PUMP

7 PUMP

7.1 Function

The pump "A" in Figure 7.1 and Figure 7.2 has the function of making the water in the main circuit circulate through the main condensing heat exchanger and therefore through the C.H. system (during the C.H. function) or through the secondary heat exchanger (during the D.H.W. function).

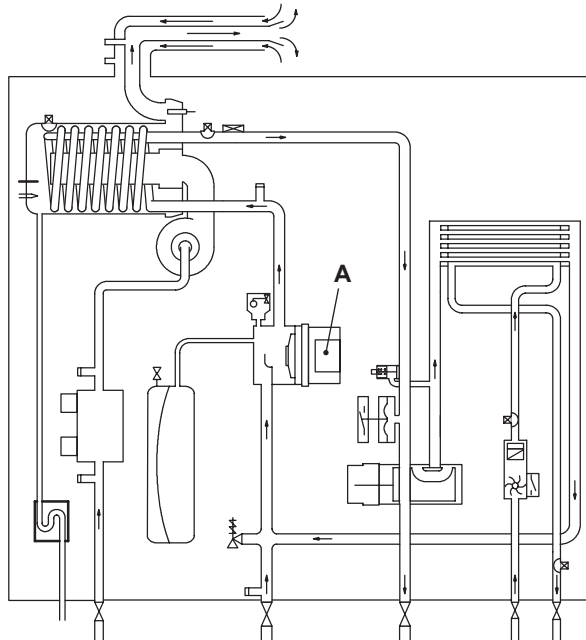



Figure 7.1

 **Warning: isolate the boiler from the mains electricity supply before removing any covering or component.**

✓ Check that the pump is not seized and that the movement of the rotor is not subject to mechanical impediments.

Switch the boiler on.

The boiler's P.C.B. software has an automatic pump seizure handling program built in.

There is no inspection plug and it's not necessary to operate manually with screwdriver.

✓ Check that the impeller is correctly connected to the rotor shaft and that the rotor moves freely.

With the boiler off remove the front and right hand side case panels, lower the control panel and empty the primary circuit.

Remove the pump head by undoing the screws which hold it to the pump body and check that the impeller is firmly joined to the rotor.

7.2 Removal pump



Warning: isolate the boiler from the mains electricity supply before removing any covering or component.

- 1 Remove the front and right hand side case panels.
- 2 Empty the primary circuit of the boiler.
- 3 Disconnect the connector "E" (Figure 7.2).

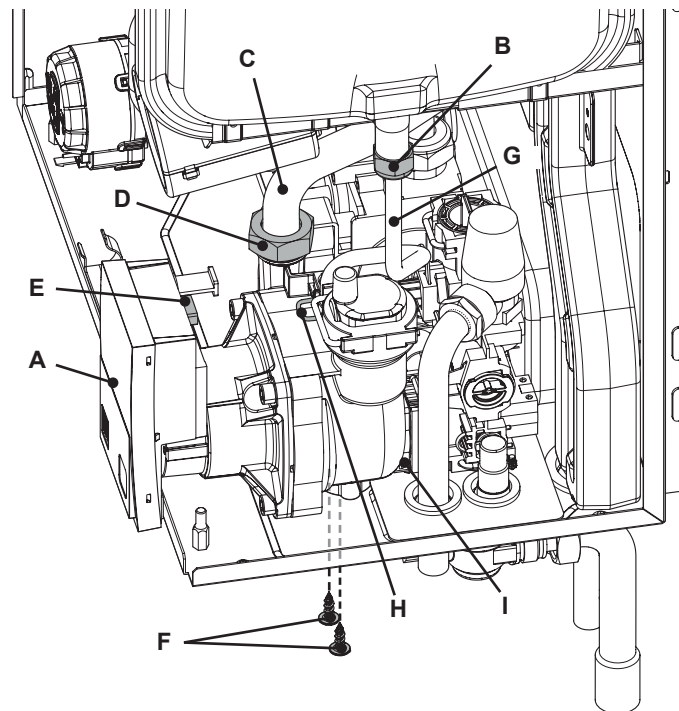


Figure 7.2

- 4 Loosen the connection "C", and pull up and turn to the left the pipe "D".
- 5 Remove the fork "H", loosen the connection "B" and remove the pipe "G".
- 6 Remove the locking plate "I".
- 7 Unscrew the two screws "F" that hold the pump on the frame and remove the pump.

Reassemble the pump carrying out the removal operations in the reverse order. When reassembling the pump, check the correct location of the O-ring gasket in the inlet port of the pump that seals the connection between the pump and the plastic group.

THREE WAY DIVERTER VALVE

8 THREE WAY DIVERTER VALVE

8.1 Function

The diverter valve "A" (Figure 8.1) has the function of modifying the hydraulic circuit of the boiler by means of an electric command given by the electronic control p.c.b. in order to send the water that exits the primary heat exchanger towards the C.H. system or towards the D.H.W. heat exchanger.

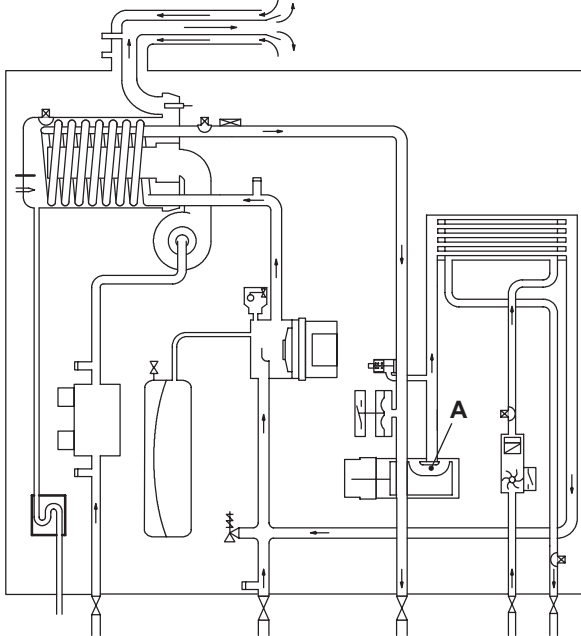


Figure 8.1

8.2 Checks



Warning: check the electrical continuity.

Figure 8.2 indicates the relationship between the electric command coming from the electronic control p.c.b. and the position of the actuator "B" (brass spindle) when the boiler operates in **D.H.W. mode**.

Figure 8.3 indicates the relationship between the electric command coming from the electronic control p.c.b. and the position of the actuator "B" (brass spindle) when the boiler operates in **C.H. mode**.

In both figures the relationship between the position of the actuator and the resistance of the motor windings (the motor must be disconnected from the wiring before undertaking any resistance tests) is also given.

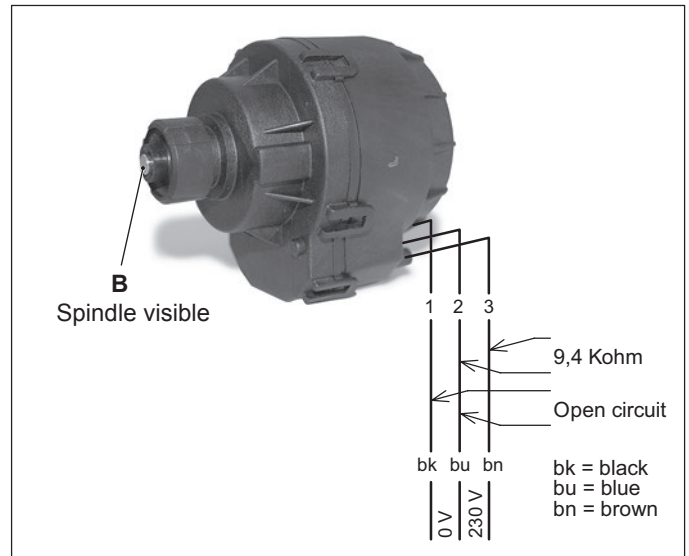


Figure 8.2 D.H.W. mode

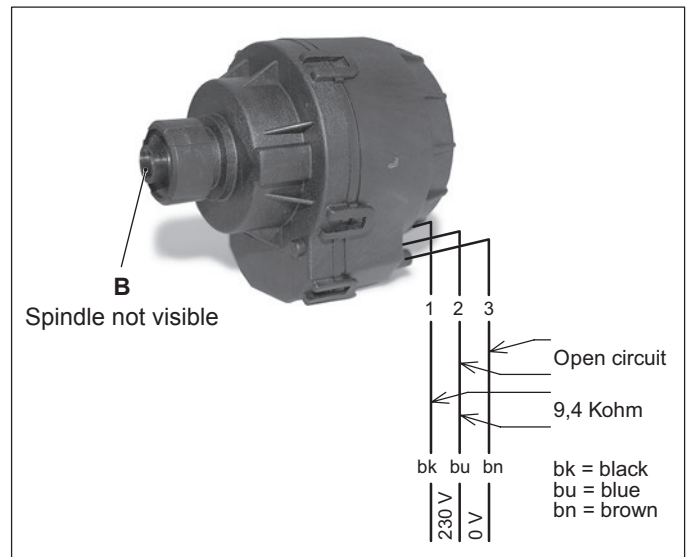


Figure 8.3 C.H. mode

8.3 Removal of the electric actuator



Warning: isolate the boiler from the mains electricity supply before removing any covering or component.

- 1 Remove the front case panel.
- 2 Disconnect the connectors "C" (Figure 8.4).
- 3 Remove the fixing spring "D" and remove the actuator E.

Reassemble the actuator carrying out the removal operations in the reverse order.

When reassembling the actuator, refer to Figure 8.3 or to the wiring diagram in section "3 Diagrams" on page 8 for the correct wiring connection.



Warning: Please note the electric actuator is energized 240VAC even if the boiler is in a standby condition.

THREE WAY DIVERTER VALVE

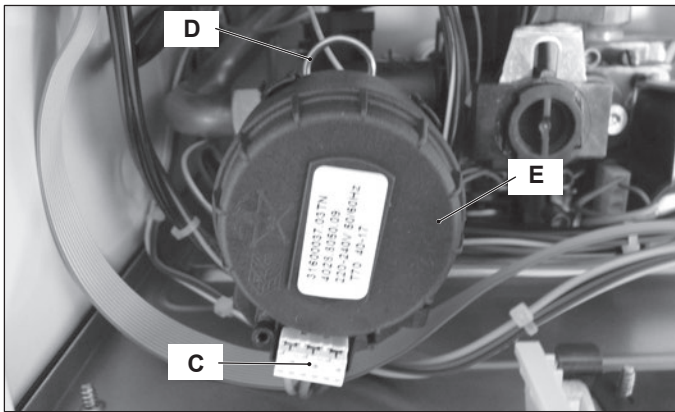


Figure 8.4

8.4 Removal of the three way diverter valve

- 1 Remove the front and both side case panels.
- 2 Empty the primary circuit and the D.H.W. circuit of the boiler.
- 3 Remove the electric actuator (see "8.3 Removal of the electric actuator" on page 18).
- 4 Remove the fixing spring "F" (Figure 8.5)
- 5 Remove the three way diverter valve "G" by levering with a screwdriver in as shown in Figure 8.5.

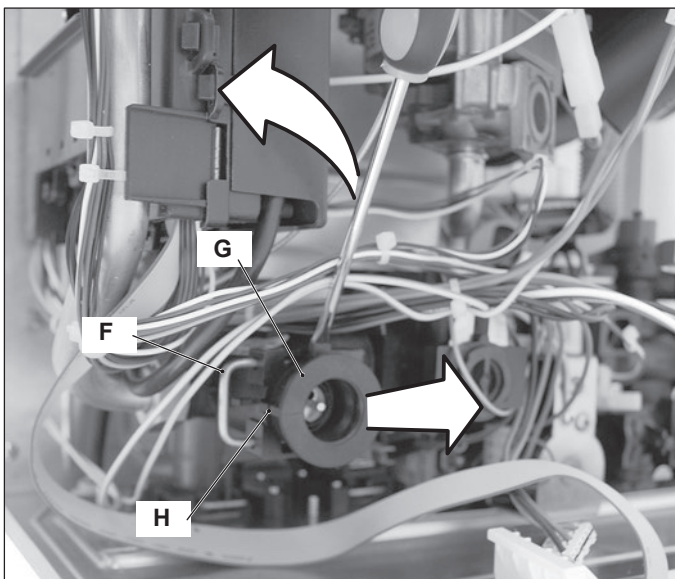



Figure 8.5

Reassemble the three way diverter valve carrying out the removal operations in the reverse order.

 **Warning:** to lubricate the O-ring gaskets exclusively use a silicone base grease compatible to be in contact with foods and approved by the local water Authorities.

Attention. When reassembling the three way diverter valve be sure that the three way diverter is correctly oriented by matching the reference "H" with the notch of the water group Figure 8.5.

8.5 Removal of the diverter group

- 1 Remove the front and both side case panels.
- 2 Empty the primary circuit and the D.H.W. circuit of the boiler.
- 3 Remove the electric actuator (section "8.3 Removal of the electric actuator" on page 18).
- 4 Remove the fixing spring "I" (Figure 8.6) and remove the pri-

mary circuit pressure switch "J".

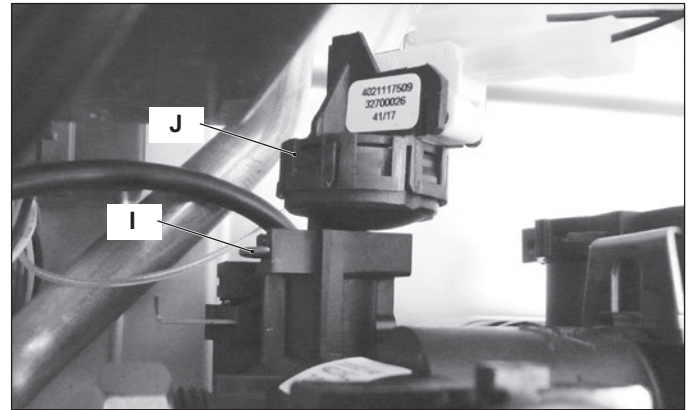


Figure 8.6

- 5 Disconnect D.H.W. temperature probe "K".

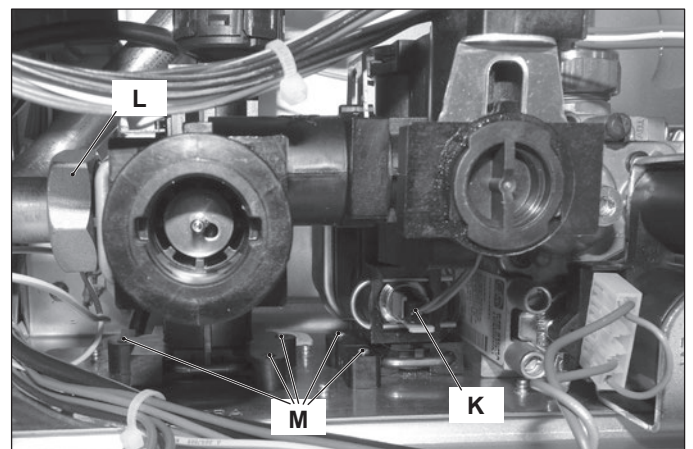



Figure 8.7

- 6 Unscrew the connector "L" (Figure 8.7), the C.H. flow connector and the D.H.W. outlet connector.
- 7 Remove the D.H.W. heat exchanger (see "6.2 Removal" on page 16).
- 8 Unscrew the screw "M" and remove the diverter group.
- 9 Reassemble the diverter group carrying out the removal operations in the reverse order.

 **Warning:** to lubricate the O-ring gaskets exclusively use a silicone base grease compatible to be in contact with foods and approved by the local water Authorities.

MAIN ELECTRONIC CONTROL/IGNITION P.C.B.

9 MAIN ELECTRONIC CONTROL/IGNITION P.C.B.

9.1 Function

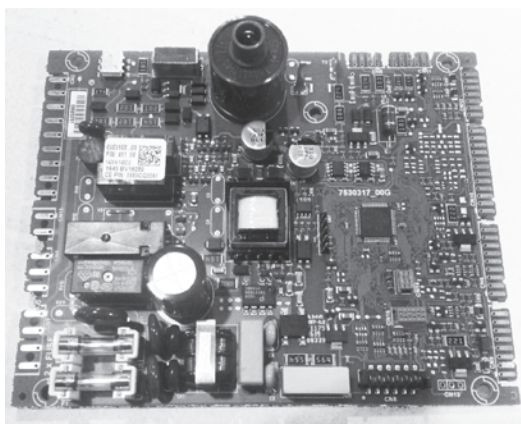
Inlet Information

On the *Main electronic control/ignition p.c.b.*

Function control
C.H. temperature adjustment
D.H.W. temperature adjustment
Boiler reset button
(printed circuit board p.c.b.)

From other boiler devices....

C.H. temperature probe NTC
D.H.W. temperature probe NTC
D.H.W. flow switch
Primary circuit pressure switch
Flue temperature probe NTC
Safety thermostat
Flame detection electrode
Room thermostat (if fitted)
Time switch (if fitted)



Outlet command

Pump
Three way diverter valve
Gas valve
Fan
Ignition electrodes
Display indicates "Er"*
*control panel electronic p.c.b.

The fundamental function of the *Main electronic control/ignition p.c.b.* is that of controlling the boiler in relation to the external needs (i.e. heating the dwelling or heating the water for D.H.W. use) and operating in order to keep the temperature of the hydraulic circuits constant.

This is obviously possible within the useful power and maximum working temperature limits foreseen.

Generally, the *Main electronic control/ignition p.c.b.* receives inlet information coming from the boiler (the sensors) or from the outside (printed circuit board p.c.b., room thermostat, etc.), processes it and consequently acts with outlet commands on other components of the boiler (Figure 9.1).

The *Main electronic control/ignition p.c.b.* is also a full sequence ignition device and does a sequence of operations (ignition cycle) which lead to the ignition of the gas at the burner.

It checks the presence of the flame during the entire period in which it is activated and supplies the fan regulating its speed.

The *Main electronic control/ignition p.c.b.* has a safety function and any incorrect interventions or tampering can result in conditions of dangerous functioning of the boiler.

The *Main electronic control/ignition p.c.b.* can lock the functioning of the boiler (lock state) and stop its functioning up to the resetting intervention. The lock-out is signalled on the display of the printed circuit board p.c.b. and can be reset only by using the boiler reset button placed on the control panel electronic p.c.b. (see section "10.1 Function" on page 27).

Some components which are connected to the device can activate the lock state. The causes of a lock state could be:

- The intervention of the safety thermostat (overheat of the primary circuit).
- The intervention of the flue temperature probe (overheat of the combustion products).
- A fault on gas supply.
- Faulty ignition (faulty ignition electrodes, their wiring or connection).
- Faulty flame detection (faulty detection electrode, its wiring or connection).
- Faulty condensate drainage.
- Faulty gas valve (faulty on-off operators or not electrically supplied).
- Faulty *Main electronic control/ignition p.c.b.*

Other components like the primary circuit pressure switch can temporarily stop the ignition of the burner but allow its ignition when the cause of the intervention has stopped.

Figure 9.13 and Figure 9.14 show the sequence of the operations that are carried out at the start of every ignition cycle and during normal functioning.

9.2 Selection and adjustment devices

On the *Main electronic control/ignition p.c.b.* several selection, adjustment and protection devices are located. (Figure 9.2).

Some of these devices are directly accessible by the user (function control, temperature adjustment etc.) others, like the fuses, are accessible by removing the main electronic p.c.b. lid.

Figure 9.1

MAIN ELECTRONIC CONTROL/IGNITION P.C.B.

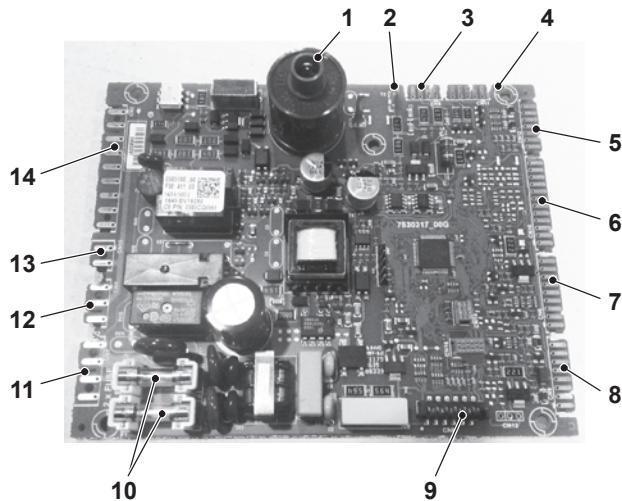


Figure 9.2

- 1 Connector - ignition electrode.
- 2 Connector - flame detection electrode
- 3 Connector - controller fan
- 4 Connector - flue temperature probe NTC
- 5 Connector - D.H.W. temperature probe NTC, D.H.W. flow switch and external temperature probe (optional)
- 6 Connector - primary circuit pressure switch
- 7 Connector - safety thermostat and C.H. temperature probe NTC
- 8 Connector - remote control (optional)
- 9 Connector - display and function control / C.H. / D.H.W. temperature adjustment control panel p.c.b.
- 10 Fuse F1, F2 2A F
- 11 Connector - electric supply Main electronic control/ignition p.c.b.
- 12 Connector - 3 way diverter valve
- 13 Connector - electric supply control panel p.c.b.
- 14 Connector - gas valve, pump and fan

9.3 Checking the temperature

The *Main electronic control/ignition p.c.b.* makes it possible to separately adjust the C.H. water flow temperature and D.H.W. outlet temperature.

The temperature of the water is converted into an electric signal by means of temperature probes.

The user, setting the desired temperature with the control panel p.c.b. key \triangle \square ∇ or \triangle \square ∇ .

If the power requested is lower than 40% of the maximum power output then control is achieved by switching ON the burner at minimum power, then switching OFF (ON/OFF function). If the power requested is higher, then the burner is switched ON at maximum power and will control by modulating to 40% of the maximum power output.

During the C.H. operation (Figure 9.3), the signal coming from the C.H. temperature probe is compared to the signal given by the control panel through the adjustment made by the user (key \triangle \square ∇). The result of such a comparison operates the fan speed thus regulating the gas flow rate and consequently changing the useful output of the boiler.

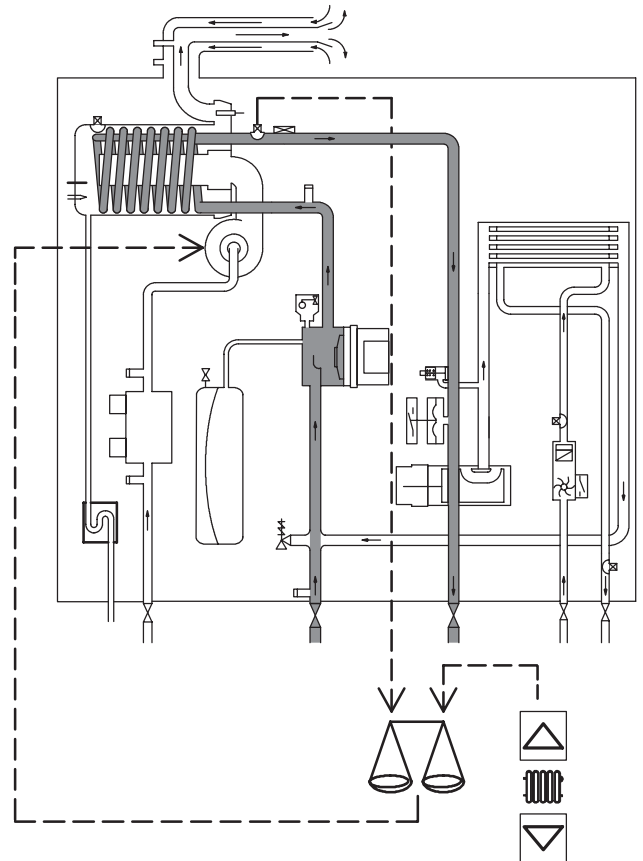


Figure 9.3

When the boiler functions in D.H.W. (Figure 9.4), the signal coming from the D.H.W. temperature probe is compared with the signal given by the control panel through the adjustment made by the user (key \triangle \square ∇).

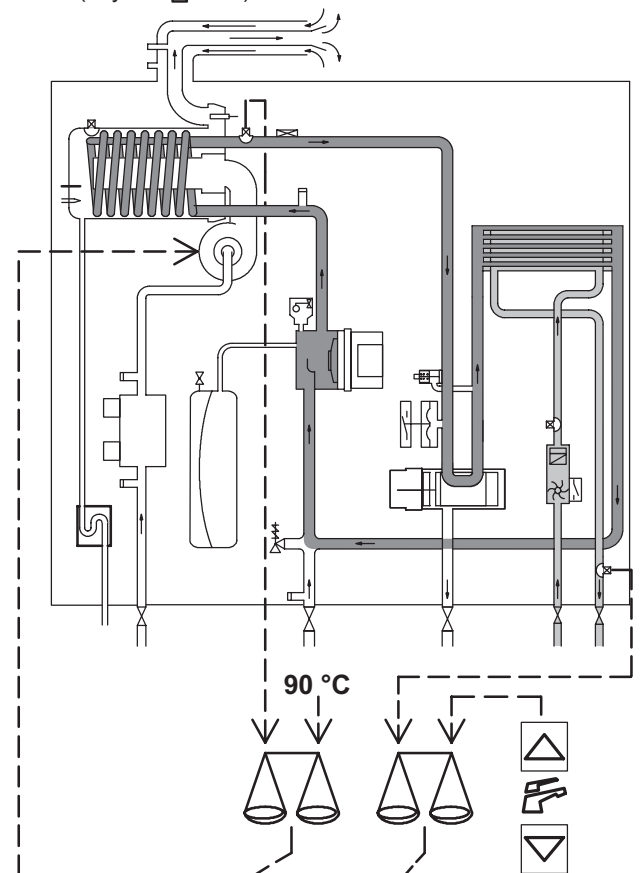


Figure 9.4

MAIN ELECTRONIC CONTROL/IGNITION P.C.B.

Normally, the result of the comparison between these two signals directly operates the fan speed adjusting the useful output generated in order to stabilize the temperature of the exiting water. If during the D.H.W. mode operation, the temperature of the primary circuit goes over 90°C, the useful output is automatically reduced so that the primary circuit cannot reach excessive temperatures.

The control sequences in function ❄️ and ☀️ in function are illustrated in detail in sections "9.7 Thermal control in the ☀️ mode" on page 25 and "9.8 Thermal control in the ❄️ mode" on page 26.

9.4 Setting the boiler control function modes

It is possible to select the various boiler control function modes hereafter named "parameters" by using the keys of the control panel p.c.b.

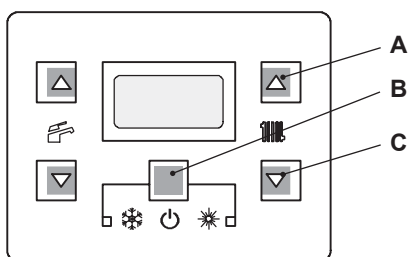


Figure 9.5

- 1 To enter in the parameters setting mode press sequentially the 3 keys B - C - A (Figure 9.5) and hold in for 10 second until the display shows Figure 9.6.



Figure 9.6

- 2 To move through the parameters press C.H. set keys (A or C Figure 9.7)

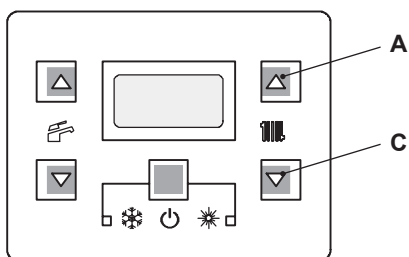


Figure 9.7

- 3 The display shows Figure 9.8

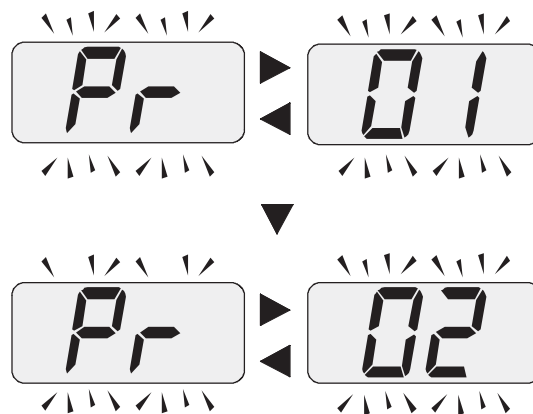


Figure 9.8

- 4 To modify the parameter press contemporary the keys (A - B Figure 9.9).

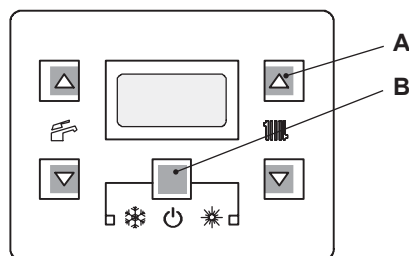


Figure 9.9

- 5 To change the parameters press C.H. set keys (A or C Figure 9.7).
- 6 To memorize the setting press the key (B Figure 9.10).

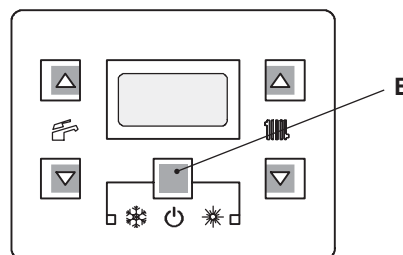


Figure 9.10

- 7 To exit for setting without modifying the set press the keys (B - C Figure 9.11)

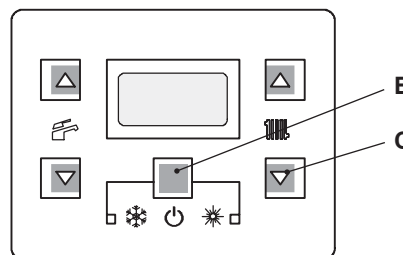


Figure 9.11

To reset the boiler to the normal operation press contemporary the 3 keys (A - B - C Figure 9.5) for 10 second.

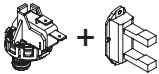
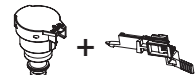

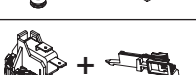





The following table gives details of each parameter and the possible value that can be set.



Warning: You must wait for a period of at least 8 seconds after you have stored your last P.C.B. adjustment before you turn the boiler off or exit the setting mode using the same 3 keys you used to enter the mode as described above.

Important: at the end of the setting operation it is important to fill/update the table in the installation manual see chapter COMMISSIONING section: Setting record.

MAIN ELECTRONIC CONTROL/IGNITION P.C.B.

PARAMETER	DIGIT	VALUES
Boiler type (to be updated with the complete range)	Pr 01	00 = No power Er 99 60 = Advance Plus 25C ERP 63 = Advance Plus 30C ERP 64 = Advance Plus 35C ERP 38 = Advance Plus 25S ERP 39 = Advance Plus 30S ERP
Type of water sensors (C.H. / D.H.W.)	Pr 02	00 = 
		01 = 
		02 = 
		03 =  factory set
		00 = 
		01 = 
Pump speed	Pr 03	00 =  (2) Max factory set
		01 =  (1) Med
		02 =  Self regulat
Zone valve setting Room Thermostat / Remote Control	Pr 04	00 = No (factory set) 01 = Z1 with R.T., Z2 with R.C., Max. C.H. flow temperature 02 = Z1 with R.T., Z2 with R.C., Min. C.H. flow temperature 03 = Z1 with R.T., Z2 with three way diverter valve 04 = Safety low voltage R.T.
Gas type	Pr 05	00 = G20 Natural 01 = G25 02 = ----- 03 = ----- 04 = G30 Butane 05 = G31 Propane
D.H.W. maximum temperature °C	Pr 06	35÷60 (factory set 60 °C)
C.H. flow max temperature °C	Pr 07	85÷45 (factory set 85 °C)
Factory parameters reset	Pr 08	00 = No reset 04 = All parameters return to factory set with the exclusion of Pr 01 and Pr 05 39 = All parameters return to factory set included Pr 01 and Pr 05

PARAMETER	DIGIT	VALUES
Chimney sweep function	Pr 09	00 = No chimney sweep fun (factory set) 01 = D.H.W. low power sweep---test 02 = C.H. low power sweep--test 03 = C.H. max power sweep---test 04 = D.H.W. max power sweep---test
C.H. reignition frequency	Pr 10	00÷99 (0÷600 sec.) (factory set 30 = 3 minutes)
C.H. pump post-circulation	Pr 11	00÷99 (0÷600 sec.) (factory set 10 = 1 minute)
Max. useful output in C.H. mode	Pr 12	00÷99 (0÷100%) factory set: 71 = Advance Plus 25C ERP 77 = Advance Plus 30C ERP 85 = Advance Plus 35C ERP 99 = Advance Plus 25S ERP 99 = Advance Plus 30S ERP
C.H. pump working type	Pr 13	00 = Depends on room thermostat (factory set) 04 = Always running
Ignition power	Pr 14	00÷99 (0÷100%) factory set: Natural gas (G20) 40 = Advance Plus 25C ERP 47 = Advance Plus 30C ERP 40 = Advance Plus 35C ERP 40 = Advance Plus 25S ERP 47 = Advance Plus 30S ERP Propane (G31) 40 = Advance Plus 25C ERP 47 = Advance Plus 30C ERP 40 = Advance Plus 35C ERP 40 = Advance Plus 25S ERP 47 = Advance Plus 30S ERP
K value (external probe diagram)	Pr 15	01 (=0,1) ÷ 60 (=6,0) K value factory set: 00 = OFF
Min. useful output C.H.	Pr 16	00 ÷ 99 (0%÷100 %) (factory set 00 = 0%)
D.H.W. burner turn off function	Pr 17	00 = Burner off at fixed D.H.W. = 65 °C (factory set) 01 = Burner off at set point +5 °C
NTC on the C.H. return	Pr 18	00 = Probe not present (factory set) 01 = Probe present
LCD type	Pr 19	00 = TOP 02 = MEDIUM (factory set)
Not used	Pr 20	
Not used	Pr 21	
D.H.W. flow minimum	Pr 22	10÷50 dl/min. (factory set according to Pr 01)
Not used	Pr 23	
Duty Cycle Zone, Only if Pr 04 = 01 or 02 and contemporary requests from Z1 and Z2	Pr 24	10÷30 (0÷30 min.) (factory set 30 = 30 minute)

MAIN ELECTRONIC CONTROL/IGNITION P.C.B.

PARAMETER	DIGIT	VALUES
C.H. flow temperature in antifreeze protection mode °C	Pr 25	25÷85 (factory set 45 °C)
Maximum temperature at main exchanger outlet in D.H.W. pre-heating mode °C	Pr 26	65÷75 (factory set according to Pr 01)
C.H. minimum setpoint	Pr 27	25÷45 (factory set 25 °C)
Maintenance intervals	Pr 28	00 ÷ 48 (= months) (factory set 12 months)
Presence of domestic cold water temp. probe or set of inlet cold water with solar control	Pr 29	00 = No NTC probe (factory set) 01 = Yes NTC probe 02 = Yes NTC probe and ΔT 04 ÷ 45 (°C) temp. NTC inlet probe with solar control
Correct pressure C.H. system	Pr 30	05 (0,5 bar) ÷ 15 (1,5 bar) factory set 10 (=1 bar)

Tab 9.1

9.5 Checks

✓ Check that the fuses are complete

If the Main electronic control/ignition p.c.b. does not supply any device (pump, fan, etc.) check that the fuses 10 (Figure 9.2) are complete.

If a fuse has blown replace it with one that has the same characteristics after having identified the reason for failure.

✓ Lock sequence

Start the boiler until the burner is ignited.

With the burner firing, interrupt the gas supply. The Main electronic control/ignition p.c.b. must carry out four complete ignition cycles and then, after about 4 minutes, goes to lock-out state. Switch off and on the electricity supply to the boiler, by means of the fused spur isolation switch, the device must not unlock and the burner must not turn on.

9.6 Removal of the electronic control p.c.b



Warning: isolate the boiler from the mains electricity supply before removing any covering or component.

When replacing the Main electronic control/ignition p.c.b. all parameters must be correctly checked / adjusted accordingly with the values noted in table in the installation manual see chapter COMMISSIONING section: Setting record (for information on parameters see also section "9.4 Setting the boiler control function modes" on page 22).

- 1 Remove all the body panels (see section "2.2 Case panels" on page 5).
- 2 Gain access to the parts located inside the Main electronic p.c.b. box as explained in the section "2.4 Main electronic p.c.b. box" on page 6 of this manual.
- 3 Remove all the wiring connected to the *Main electronic control/ignition p.c.b.*
- 4 Delicately flex the hooks "D" in the directions indicated (Figure 9.12) in order to release the circuit from the box.
- 5 Remove the *Main electronic control/ignition p.c.b.*

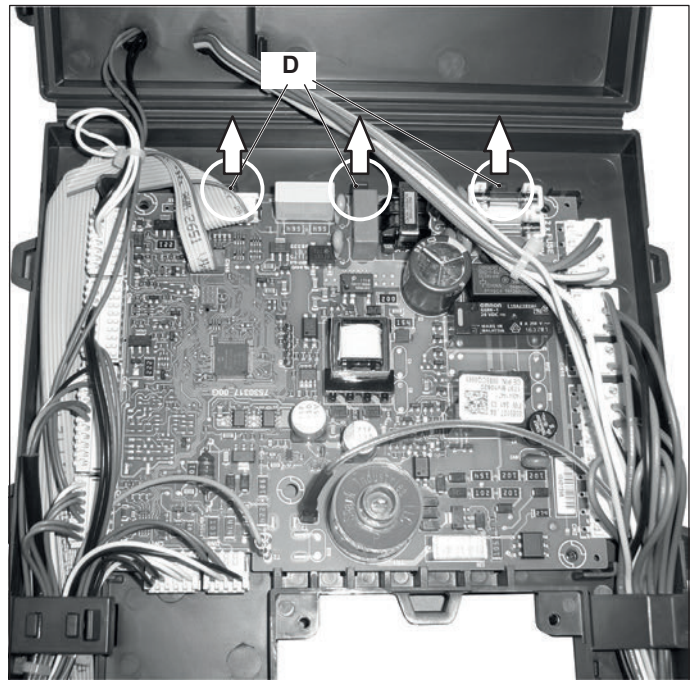


Figure 9.12

- 6 Re-assemble the *Main electronic control/ignition p.c.b.* following the removal procedures in the reverse order.

Important

When re-assembling the *Main electronic control/ignition p.c.b.*:

- 7 It is not necessary to utilise static protections but it is advisable to ensure that the p.c.b. is handled with care and held at the edges and with clean dry hands.

Attention

After installing the *Main electronic control/ignition p.c.b.* properly set the parameters.



Warning: After cleaning or replacement as detailed above, it is deemed necessary to undertake a combustion analysis as detailed in section "11.3 Adjustment" on page 30.

9.7 Thermal control in the ☼ mode

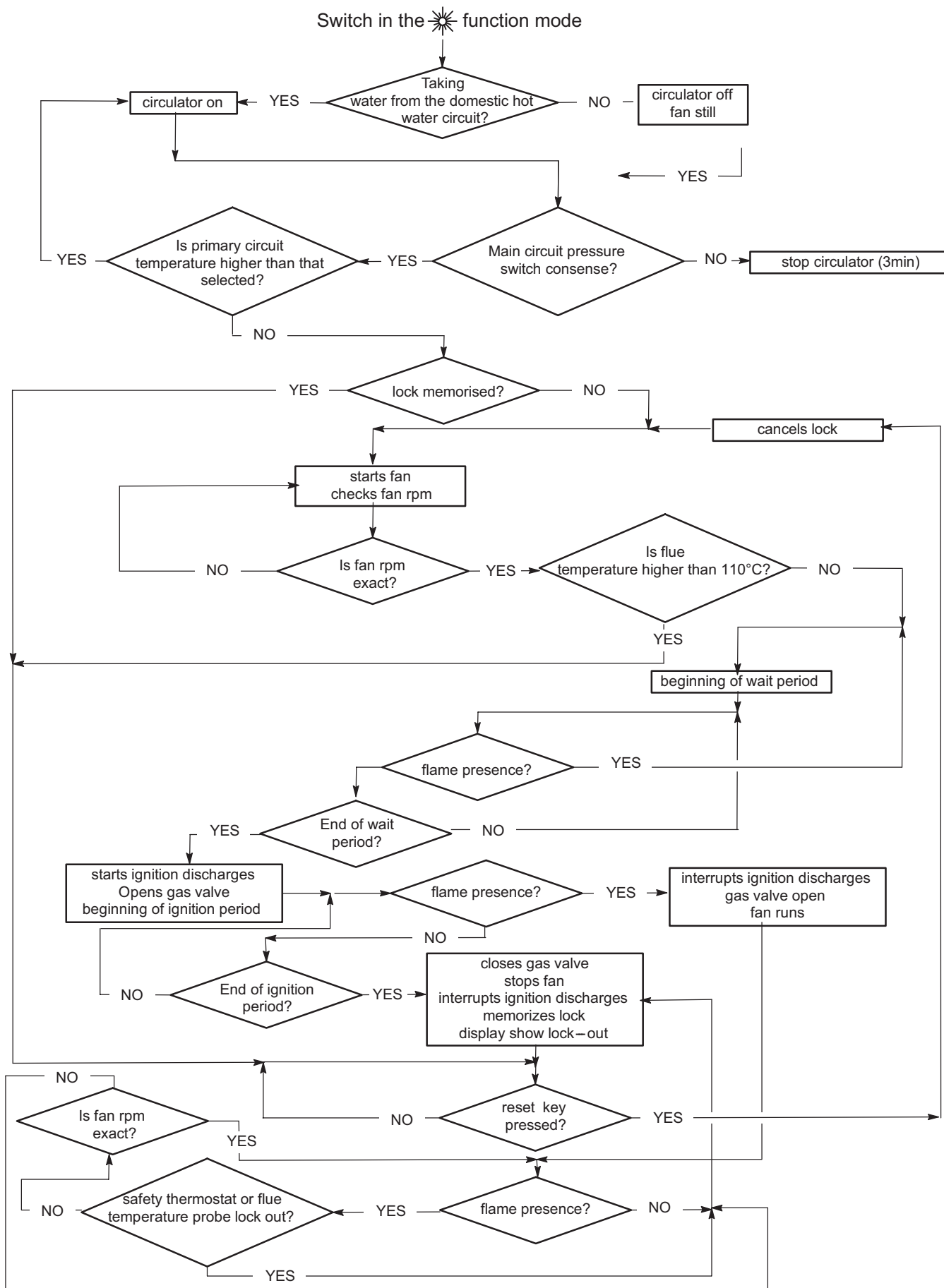


Figure 9.13

MAIN ELECTRONIC CONTROL/IGNITION P.C.B.

9.8 Thermal control in the ❄️ mode

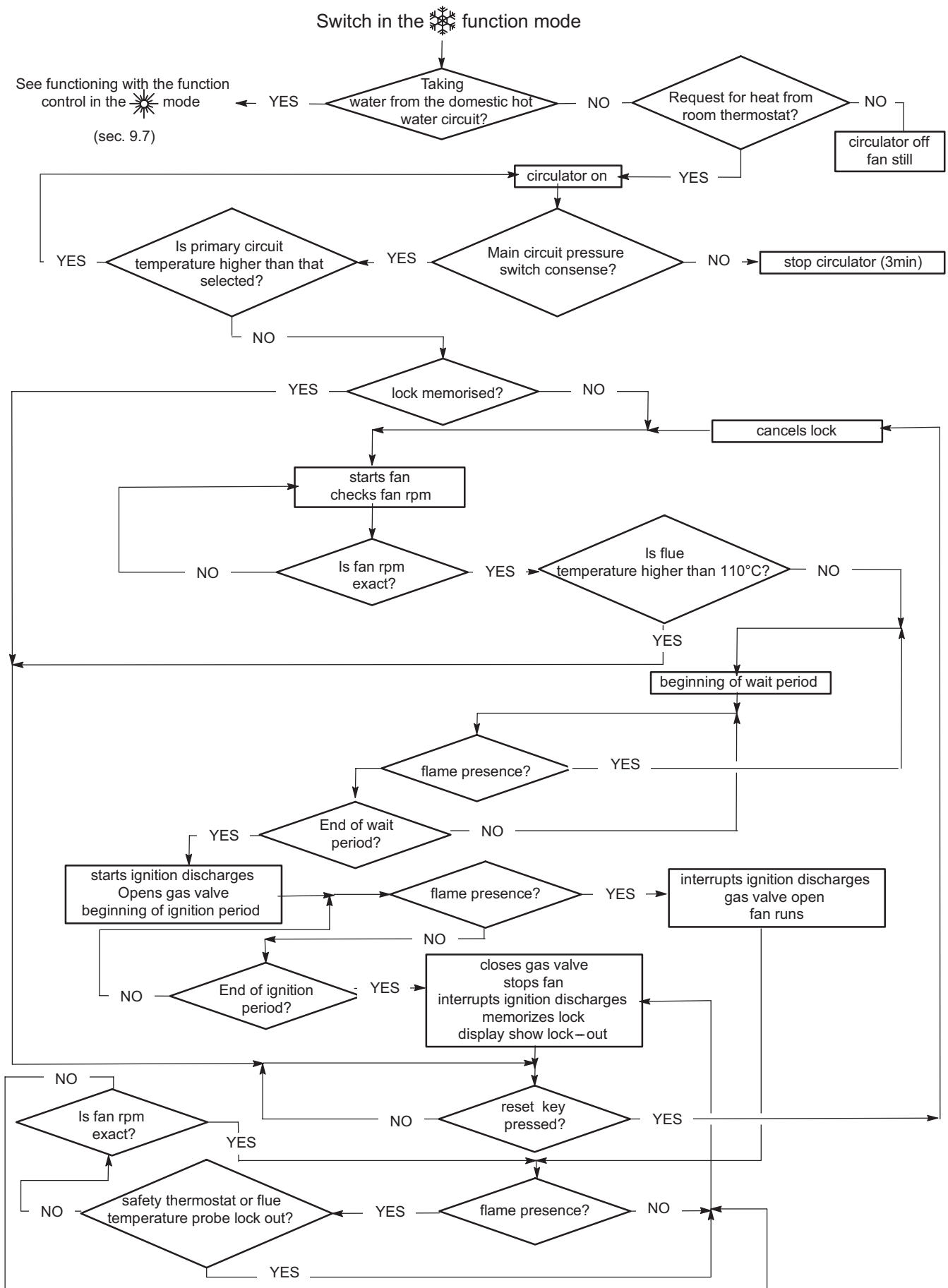


Figure 9.14

CONTROL PANEL ELECTRONIC P.C.B.

10 CONTROL PANEL ELECTRONIC P.C.B.

10.1 Function

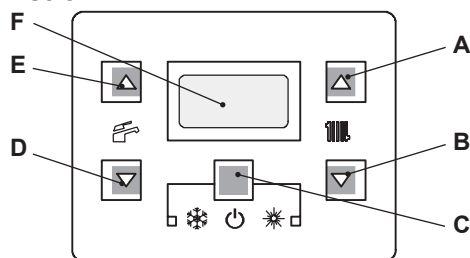


Figure 10.1

- A C.H. temperature increase key
- B C.H. temperature reduce key
- C Reset/Stand-by/Winter/Summer key
- D D.H.W. temperature reduce key
- E D.H.W. temperature increase key
- F Display

The Control panel electronic p.c.b. can give to the service 3 levels of informations:

- Normally information
- Info modality
- Function modes setting modality

10.2 Normally information

KEY

RESET	The symbol indicates that the boiler can be directly reactivated by the user, by pressing the reset button.
	The symbol indicates that the fault requires intervention on behalf of specialised technical assistance.
	All symbols represented with lines that surround them, indicate that the symbol is flashing.

SIGNAL DISPLAYED BY THE LCD

LCD	FUNCTION
Er 01 + RESET	Lack of burner ignition on safety lockout
Er 02 + RESET	Safety thermostat intervention lockout
Er 03 + RESET	General lockout
Er 04 +	Faulty primary circuit (no water or absence of flow)
Er 05 +	Faulty fan control system
Er 06 +	Faulty C.H. temp. probe NTC
Er 07 +	Faulty D.H.W. temp. probe NTC
Er 08 +	Faulty external temp. probe NTC
Er 09 +	Faulty flue temp. probe NTC
Er 10 + RESET	Flue probe intervention lockout
	Flame detection error (An flashing + error flashing number)
Er 11 + RESET	Flame detection error

LCD	FUNCTION
Er 12 +	Faulty central heating temp. probe NTC (return)
Er 13 +	DT delivery-return >40K
Er 14 + RESET	Faulty pump or primary temperature above 105° C
Er 14 +	Absence of flow from temperature gradient (>2k/s)
Er 19 +	Domestic hot water inlet probe failure (if present)
Er 25 + RESET	Flame detection error
Er 69	Wiring error lockout
Li 01	Primary circuit temp. limit during D.H.W. operation
- -	Boiler Stand-By, hyphens are turned on in sequence to simulate running /anti-freeze protection activated)
0 68°C 0 FL°C	Filling request: The boiler works regularly and the display shows all the icons, but the signal FL is flashing every 1 sec.
30°C	Boiler waiting for heat request
31°C	Boiler in summer mode (D.H.W.) The primary circuit temperature is displayed.
32°C	Boiler in winter mode (C.H. & D.H.W.) The primary circuit temperature is displayed.
41°C	Boiler on demand for D.H.W. power. The D.H.W. temperature is displayed.
34°C	Boiler on demand for C.H. power.
	Burner ignition (spark)
0	Flame present (Burner on)
cF 68	Pre-heating function 3 stars D.H.W. comfort. This information is not displayed. It will be possible to check its state in the section "INFO" value "cF" (the signal "cF" is alternated to the C.H. temperature value until the end of this function). You can enter the function pushing the buttons D and E together. The function is confirmed showing ON or OFF alternating for 5 sec. This function is always active at every hour (it's not possible to set the time slots unless a remote control is connected).
cF on	
bP°C 15	Boiler in anti-freeze phase (bP flashing + temperature flashing)

CONTROL PANEL ELECTRONIC P.C.B.

LCD	FUNCTION
	Boiler in antifrost phase (AF flashing + temperature flashing)
	Set C.H. (all other symbols are disabled)
	Remote control connected (one flash every 4 sec.)
	Set D.H.W. (all other symbols are disabled)
	Pump activated for the post---circulation phase (Po flashing + temperature flashing)
	Delayed burner ignition for setting the system (uu flashing + temperature flashing)
	Maintenance required The wrench symbol is flashing (without showing any error)
	Boiler in chimney sweep in function. The activation of the chimney sweep occurs configuring the "parameter P09=01" and is visualized: LP = minimum D.H.W. hP = minimum heating cP = maximum heating dP = maximum D.H.W.. The transition occurs with keys A (increase) and B (decrease) D.H.W. temperature. The writing on the display alternates.

10.3 Info modality

The INFO mode allows the display of some information on the boiler functioning status. In case of malfunctioning of the boiler, it may be useful to communicate such information to the Authorised Service Centre Engineer so that the causes can be understood.

In order to access the INFO mode, press keys A and C (Figure 10.1) at the same time until the letter di appears on the display that alternates with a code (Figure 10.1).

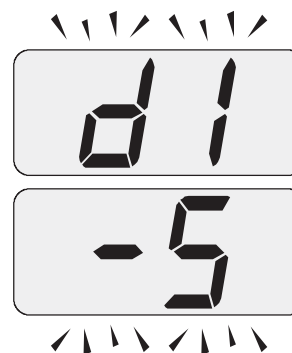


Figure 10.2

To scroll the values press B (reduce) and A (increase). keys (Figure 10.1). In order to exit the INFO mode, hold keys A and C (Figure 10.1) pressed at the same time. The following table gives details of each parameter and the possible value that can be show.

Description	Parameter	Value
External temperature °C (if fitted)	d1	-5
K value (external probe diagram) (the value is x 10)	d2	12
Offset (Translation of K diagram ± 15°C)	d3	-10
C.H. temperature °C (calculated by external sensor)	d4	66
C.H. flow temperature °C	d5	78
C.H. return temperature °C (if fitted)	d6	44
D.H.W. temperature °C	d7	40
Flue temperature °C	d8	67
Fan speed (the value has to be x 100 = 4400 rpm)	d9	44
Number of months to maintenance	c3	12
SW version BC (burner control)	dc	01
SW version MB (main board)	dd	03

Tab. 10.1

10.4 Function modes setting modality

It is possible to select the various boiler control function modes hereafter named "parameters" by using the keys of the control panel p.c.b.

During the function modes setting, the boiler does not operate.

To get in function modes setting modality see section "9.4 Setting the boiler control function modes" on page 22.

10.5 Removal of the control panel electronic p.c.b



Warning: isolate the boiler from the mains electricity supply before removing any covering or component.

- 1 Remove all the body panels (see section "2.2 Case panels" on page 5).
- 2 Gain access to the parts located inside the *Control panel electronic p.c.b.* as explained in the section "2.3 Control panel" on page 6 of this manual.
- 3 Remove all the wiring "G" connected to the *Control panel electronic p.c.b.* (Figure 10.3).

CONTROL PANEL ELECTRONIC P.C.B.

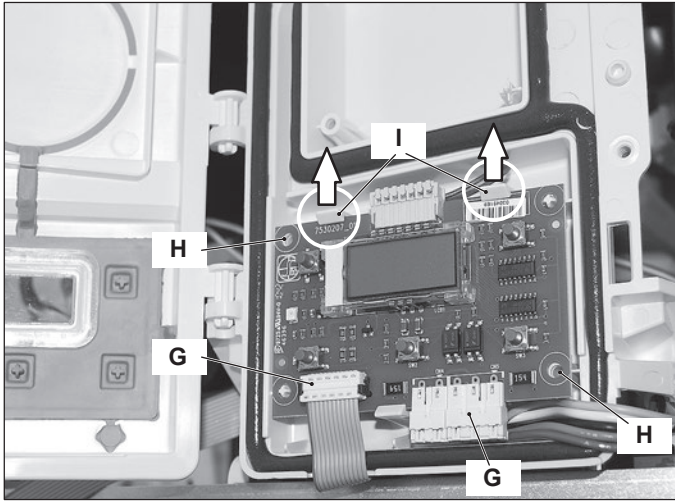


Figure 10.3

- 4 Unscrew the screws "H".
- 5 Delicately flex the hooks "I" in the directions indicated (Figure 10.3) in order to release the circuit from the box.
- 6 Remove the *Control panel electronic p.c.b.*
- 7 Reassemble the *Control panel electronic p.c.b.* carrying out the removal operations in the reverse order.

GAS VALVE

11 GAS VALVE

11.1 Function

The gas valve "A" in Figure 11.1 controls the gas inflow to the boiler burner.

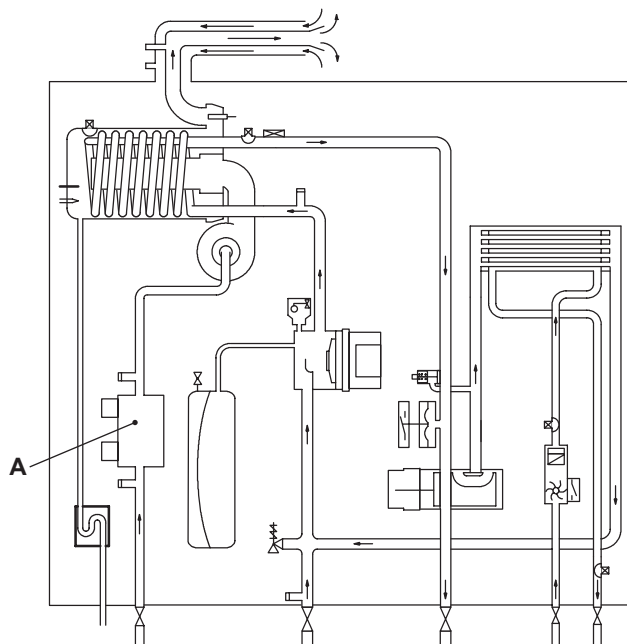


Figure 11.1

By means of an electric command given to the on-off operators the passage of the gas through the Gas valve can be opened or closed.

11.2 Description of the parts

(Figure 11.2)

- B** Maximum boiler power adjustment
- C** Minimum boiler power adjustment
- D** On-off operators
- E** On-off operators electric connector
- F** Gas valve inlet pressure test point

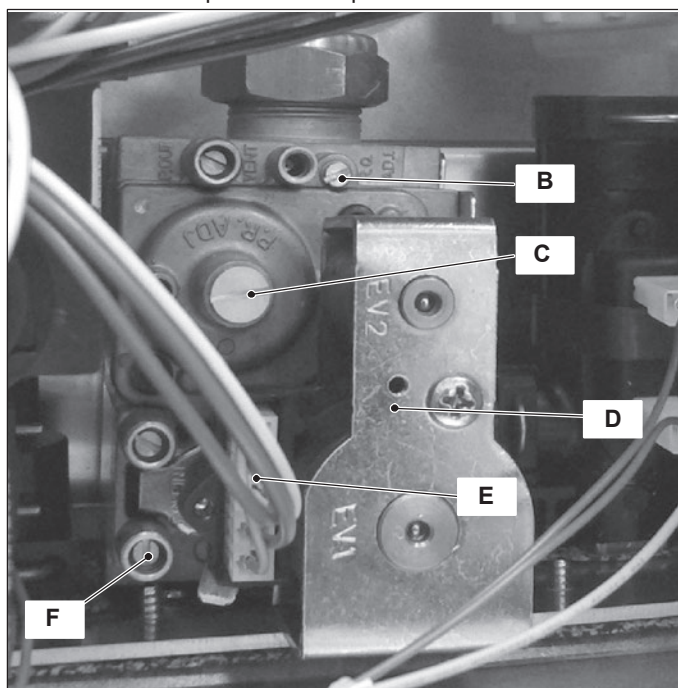


Figure 11.2

11.3 Adjustment



Warning: isolate the boiler from the mains electricity supply before removing any covering or component.

Check the supply pressure before making any adjustment to the gas valve.

- 1 Close the gas inlet valve.
- 2 Remove the front panel of the case and lower the control panel (see sections "2.2 Case panels" on page 5 and "2.3 Control panel" on page 6).
- 3 Loosen the internal screw on the Inlet Pressure Test Point "F" (Figure 11.2) of the Gas valve and connect a pressure gauge using a suitable hose.
- 4 Open the gas inlet valve.
- 5 Turn on the electricity supply to the boiler, switching on the fused spur isolation switch.
- 6 Set the boiler in C.H. / D.H.W. function as illustrated in Figure 11.3.

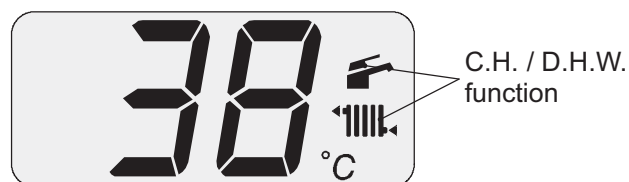


Figure 11.3

- 7 Open at least one hot water tap fully.
- 8 Read the inlet pressure value and ensure that it is within the limits given in the table *Gas supply pressures*, of the user/installation manual. If it does not comply with the required pressure check the gas supply line and governor for faults and/or correct adjustment.
- 9 Switch off the boiler **close the gas inlet valve** and close the water tap.
- 10 Disconnect the pressure gauge and close the Inlet Pressure Test Point "F" (Figure 11.2).

Gas valve adjustment



The person carrying out a combustion measurement should have been assessed as competent in the use of a flue gas analyser and the interpretation of the results. The flue gas analyser used should be one meeting the requirements of BS7927 or BS-EN50379-3 and be calibrated in accordance with the analyser manufacturers' requirements, and have a current calibration certificate.

- 11 Fit the probe of the flue analyser in the flue exhaust sampling point located on the exhaust pipes of the boiler (Figure 11.4).

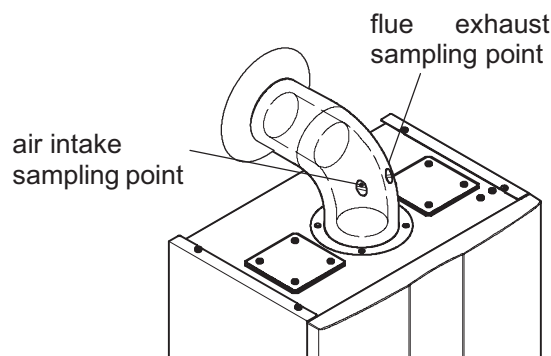


Figure 11.4

- 12 Turn on the boiler, switching on the fused spur isolation

GAS VALVE

switch.

- 13 Open the gas inlet valve.
- 14 Turn on the boiler and operate for 2 minutes to pre-heat the flue, before commencing any adjustments
- 15 Open at least one hot water tap fully.

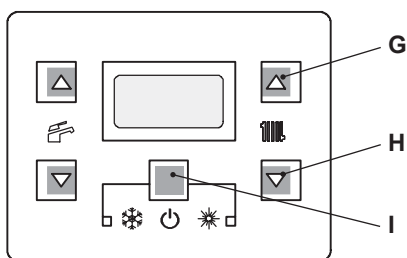


Figure 11.5

- 16 To enter in the parameters setting mode press sequentially and hold in the 3 keys (G - H - I Figure 11.5) for 10 second until the display shows Figure 11.6.



Figure 11.6

- 17 Press keys G and H (Figure 11.5) at the same time until the display shows the letters LP that alternate with the heating water temperature value (e.g. 45), indicating the activation of the "chimney sweep function" at minimum output (Figure 11.7).



Figure 11.7

- 18 Allow the analyser to give a stable reading.
- 19 Read the CO₂ % value. It should be between:

Model	Type gas	CO ₂ % value (range)
Advance Plus 25C ERP Advance Plus 25S ERP	Natural G20	8,5 - 9,1
Advance Plus 25C ERP Advance Plus 25S ERP	Propane G31	9,3 - 9,9
Advance Plus 30C ERP Advance Plus 35C ERP Advance Plus 30S ERP	Natural G20	8,3 - 8,9
Advance Plus 30C ERP Advance Plus 35C ERP Advance Plus 30S ERP	Propane G31	9,2 - 9,8

To adjust the CO₂ % value remove the brass plug by unscrewing it and rotate the Allen key screw Ø 4 mm ("C" - Figure 11.2) (by rotating it clockwise the CO₂ % increases).

Checking the maximum gas valve setting

- 20 Press key G to vary the output in chimney sweep mode: when the display shows the letters cP that alternate with the heating water temperature value (e.g. 60), the "chimney sweep function" is at maximum output in heating mode (Figure 11.8);



Warning: If the boiler has a correct CO₂ reading in LP but is incorrect CO₂ in DP before adjusting the boiler ensure the supply pressure is within acceptable limits!



Figure 11.8

- 21 Press further key G to vary again the output in chimney sweep mode: when the display shows the letters dP that alternate with the heating water temperature value (e.g. 60), the "chimney sweep function" is at maximum output in domestic hot water mode" (Figure 11.9);

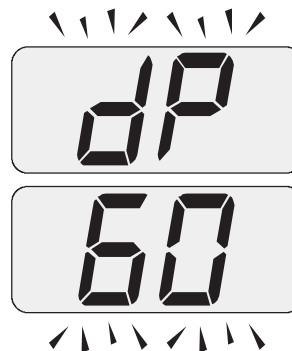


Figure 11.9

- 22 Allow the analyser to give a stable reading.
- 23 Read the CO₂ % value. It should be between:

Model	Type gas	CO ₂ % value (range)
Advance Plus 25C ERP Advance Plus 35C ERP Advance Plus 25S ERP	Natural G20	9,3 - 9,9
Advance Plus 25C ERP Advance Plus 35C ERP Advance Plus 25S ERP	Propane G31	10,3 - 10,9
Advance Plus 30C ERP Advance Plus 30S ERP	Natural G20	9,2 - 9,8
Advance Plus 30C ERP Advance Plus 30S ERP	Propane G31	10,2 - 10,8

To adjust the CO₂ % value rotate screw ("B" - Figure 11.2) (by rotating it clockwise the CO₂ % decreases).

- 24 Press keys G - H - I (Figure 11.5) at the same time again to exit the "chimney sweep mode" and return to the previously

GAS VALVE

set boiler status (Figure 11.10)

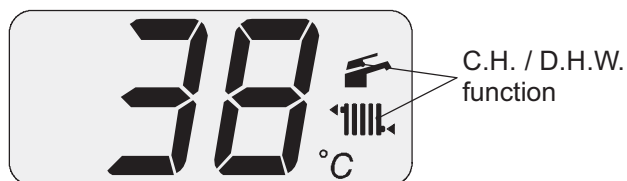


Figure 11.10

- 25 Switch off the boiler and turn off the hot water tap(s).
- 26 Close the air-flue sampling points.
- 27 After adjustment fit the protective brass plug ("C" - Figure 11.2).

Important: after the gas pressure checks and any adjustment operations, all of the test points must be sealed.

11.4 Checks



Warning: isolate the boiler from the mains electricity supply before removing any covering or component.

- ✓ Check the on-off operators coils

 - 1 Remove the front panel of the case.
 - 2 Disconnect the electrical connector "E" (Figure 11.2).
 - 3 Measure the electrical resistance between the connector pins of the on-off operators as illustrated in Figure 11.11.

Upper on-off operator
approx. 6400 Ω*

Lower on-off operator
approx. 920 Ω*

*at ambient temperature.

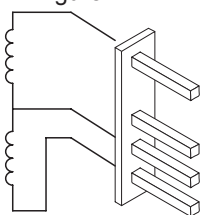


Figure 11.11

11.5 Removal of the gas valve



Warning: isolate the boiler from the mains electricity supply before removing any covering or component.

- 1 Remove the front panel of the case as explained in the section "2.3 Control panel" on page 6, of this manual.
- 2 Disconnect the connector "K" (Figure 11.12), see also connector "E" (Figure 11.2).

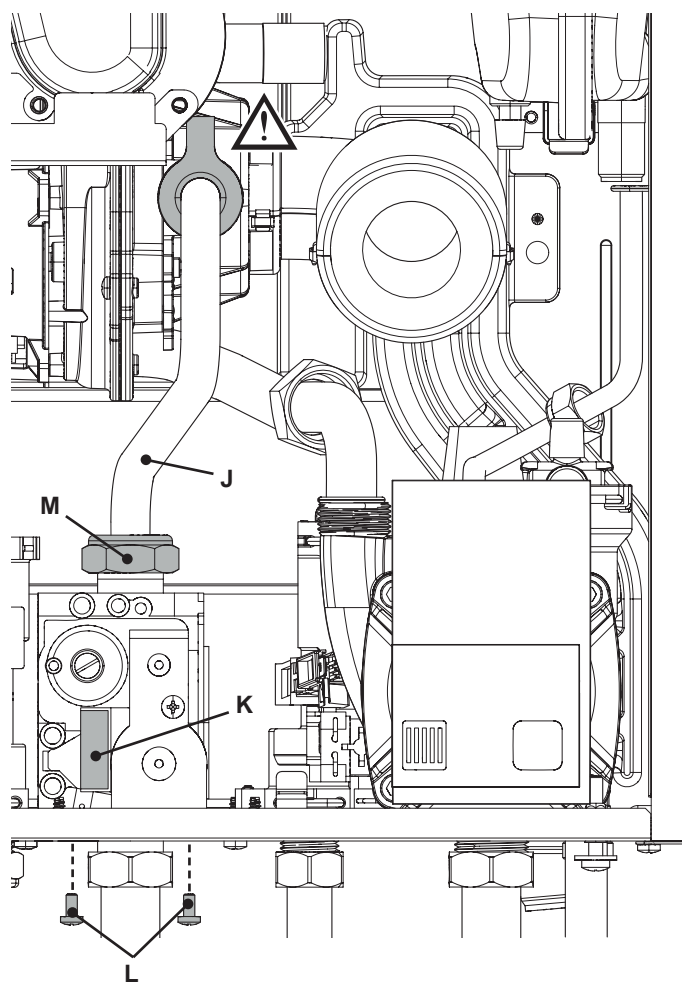


Figure 11.12

- 3 Turn off the gas supply and disconnect the gas isolation cock connector from the inlet port of the gas valve.
- 4 Unscrew the connector "M" (Figure 11.12) and remove the pipe "J".
- 5 Unscrew the screws "L" and remove the valve (Figure 11.12).
- 6 Reassemble the valve carrying out the removal operations in reverse order.



Warning: Be careful not to damage the OR gasket of the gas pipe when inserting the pipe in the air box (air/gas mixer).

Before fitting a new valve, it is advisable to preset it as follows.

- 7 Remove the brass plug and turn the plastic screw inside it fully clockwise until it stops. Do not overtight.
- 8 Turn it counter-clockwise 2 and 3/4 turns.
- 9 Adjust the gas valve using the flue analyser as described in section "11.3 Adjustment" on page 30.

After any service operation on the components of the gas circuit check all the connections for gas leaks.



Warning: After cleaning or replacement as detailed above, it is deemed necessary to undertake a combustion analysis as detailed in section "11.3 Adjustment" on page 30.

PRIMARY CIRCUIT FLOW SWITCH

12 PRIMARY CIRCUIT PRESSURE SWITCH

12.1 Function

The Primary circuit pressure switch ("A" in Figure 12.1) function is to check the presence of water in the primary hydraulic circuit and that the pressure is above the minimum.

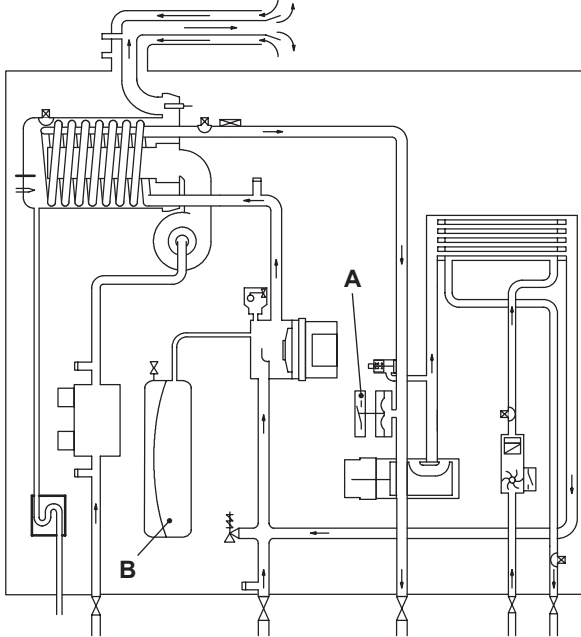


Figure 12.1

This device is connected to the main electronic control p.c.b. and if, it does not activate the control board will indicate that a fault condition (see section "4.1 Display diagnostic" on page 13 of this manual) has occurred.

12.2 Checks



Warning: isolate the boiler from the mains electricity supply before removing any covering or component.

✓ Electrical check

It is possible to verify the general operation of the switch by measuring the electric resistance between the contacts "C" and "N.O." of the switch.

- 1 Measure the electrical resistance between the tabs "C" and "N.O." (Figure 12.2).

The contact must close (resistance zero) with C.H. pressure of 0,35 bar or higher.

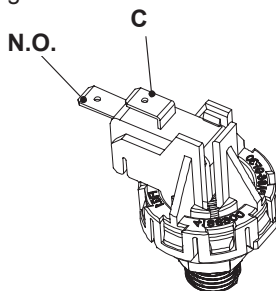


Figure 12.2

12.3 Removal



Warning: isolate the boiler from the mains electricity supply before removing any covering or component.

- 1 Remove the front and right hand side panels of the case, turn off the flow and return isolation valves and empty the primary circuit.
- 2 Remove the fixing spring "E" (Figure 12.3) and remove the primary circuit pressure switch "D".
- 3 Disconnect the connectors "F" (Figure 12.3).



Figure 12.3

- 4 Reassemble the primary circuit pressure switch in reverse order of removal.



Warning: to lubricate the O-ring gaskets exclusively use a silicone base grease compatible to be in contact with foods and approved by the local water Authorities.

EXPANSION VESSEL AND PRESSURE GAUGE

13 EXPANSION VESSEL AND PRESSURE GAUGE

13.1 Function

The Expansion vessel ("A" in Figure 13.1) function is to allow for the volume expansion of the C.H. circuit water due to the temperature rise.

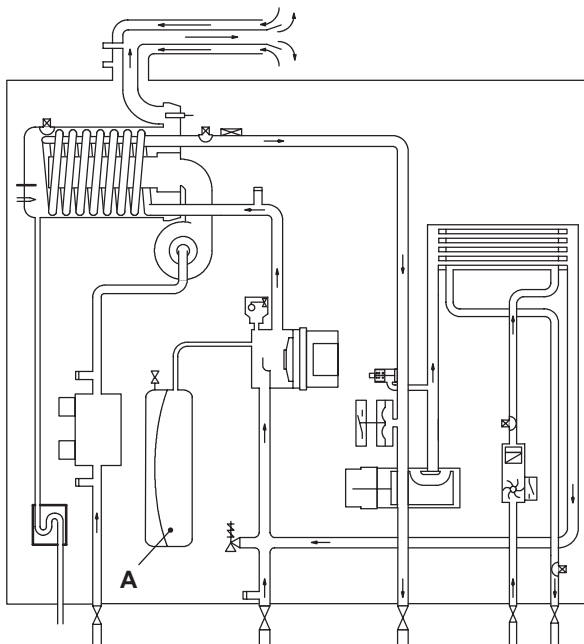


Figure 13.1

13.2 Checks

- 1 Turn off the flow and return isolation valves and empty the primary circuit of the boiler.
- 2 Remove the protective cap "B" in Figure 13.2 from the valve on the top of the expansion vessel and connect a suitable air pressure gauge.

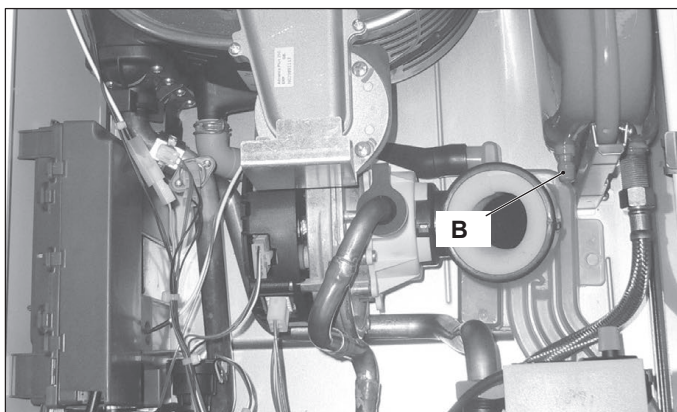


Figure 13.2

- 3 Check the pre-load pressure and refer to the section *Expansion vessel* in the *User manual and installation instructions* for the correct value.

13.3 Removal of the expansion vessel



Warning: isolate the boiler from the mains electricity supply before removing any covering or component.

- 1 Remove the front and right hand side panels of the case, turn off the flow and return isolation valves and empty the primary circuit.
- 2 Completely unscrew the connection "C" (Figure 13.3).
- 3 Unscrew the screws "D" and "E" (Figure 13.3).
- 4 Remove the expansion vessel from the front of the boiler.
- 5 Re-assemble the parts in reverse order of removal.

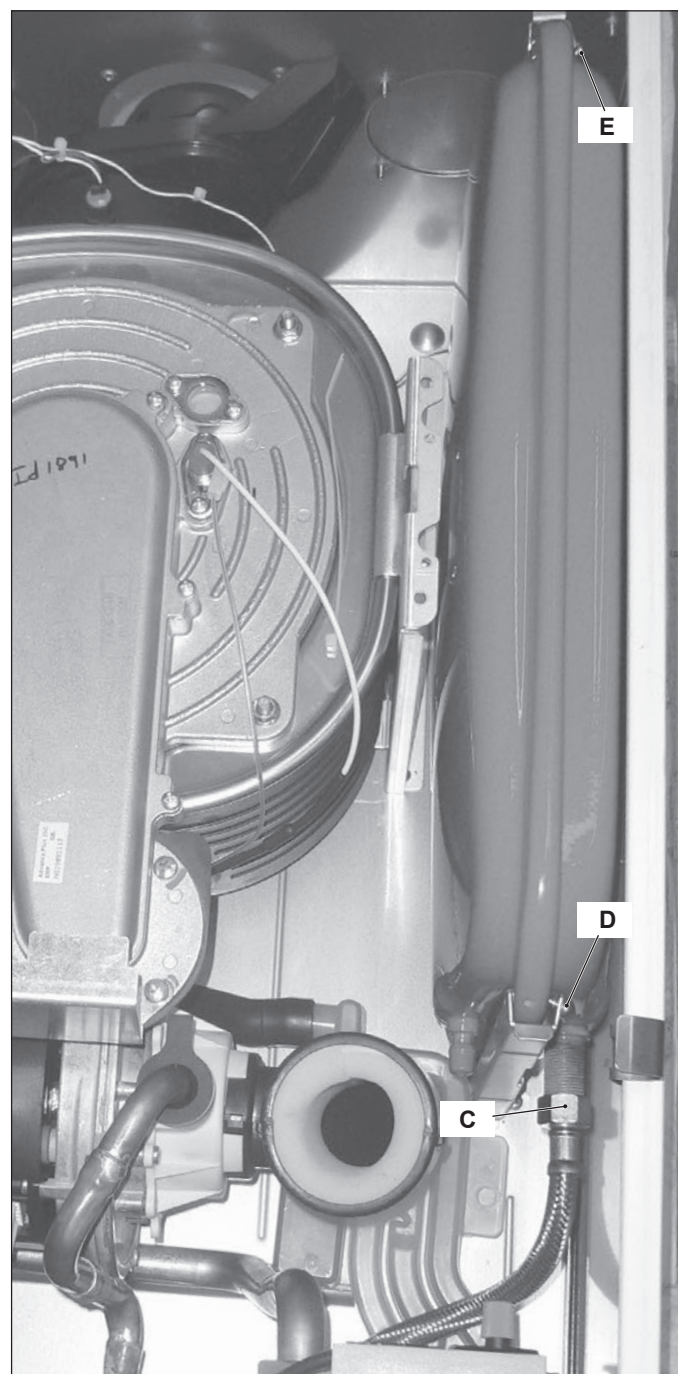


Figure 13.3

EXPANSION VESSEL AND PRESSURE GAUGE

13.4 Removal of the temperature-pressure gauge

- 1 Remove the front and right hand side panels of the case, turn off the flow and return isolation valves and empty the primary circuit.
- 2 Enlarge the fork "F" and the connector "G" (Figure 13.4).

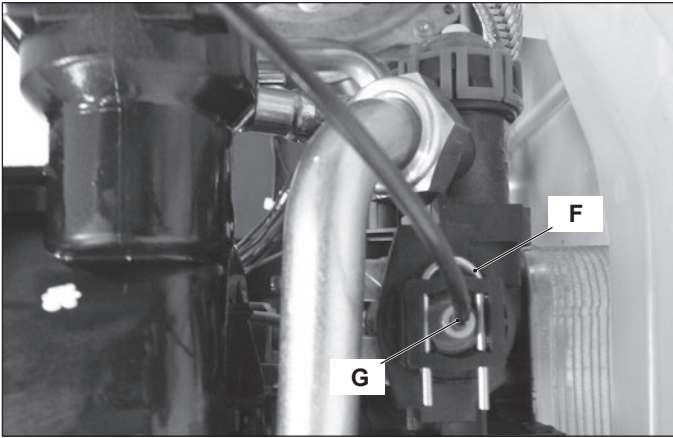


Figure 13.4

- 3 Squeeze the tabs "H" to release the temperature-pressure gauge "I" and remove it (Figure 13.5).

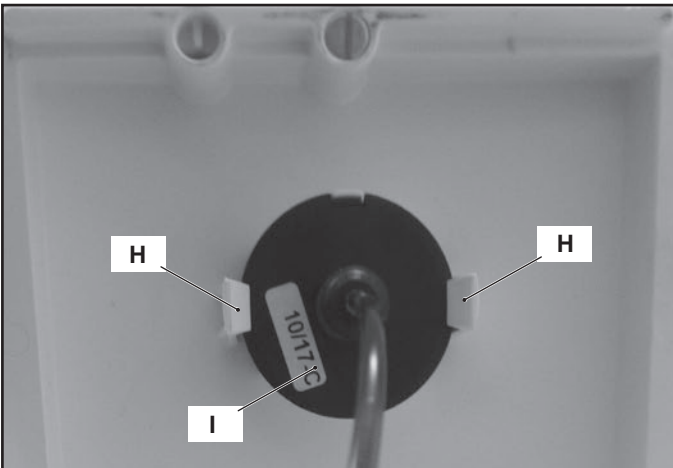


Figure 13.5

- 4 Re-assemble the parts in reverse order of removal.

D.H.W. FLOW SWITCH, FILTER AND FLOW LIMITER

14 D.H.W. FLOW SWITCH, FILTER AND FLOW LIMITER

14.1 Function

The D.H.W. flow switch "A" in Figure 14.1 is a device that generates an electrical signal when hot water is drawn.

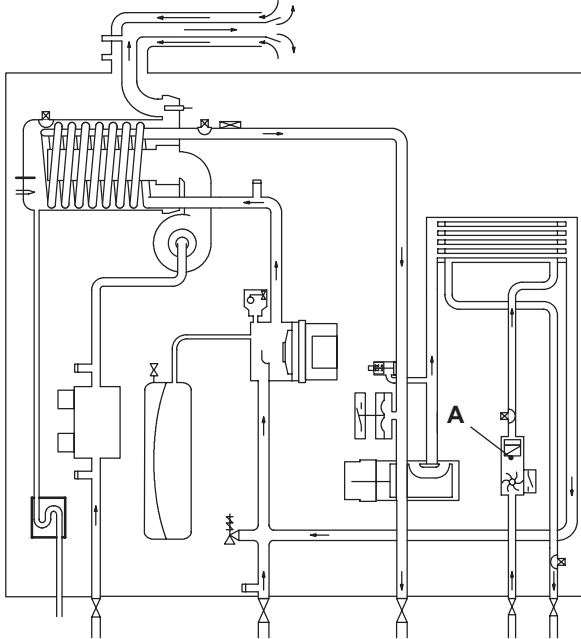


Figure 14.1

When the flow rate through the D.H.W. circuit reaches about 2,5 litres/min', the sensor closes the electric contact that switches the boiler D.H.W. operation ON.

14.2 Description and location of parts - (Figure 14.2)

- 1 Flow switch plug
- 2 O-ring
- 3 Flow limiter (Advance Plus 30C ERP - Advance Plus 35C ERP optional accessory)
- 4 Body with flow meter turbine
- 5 Filter

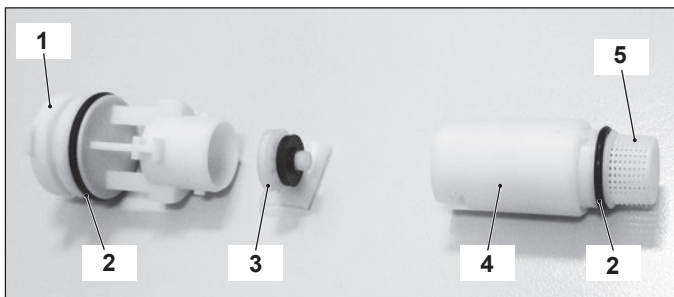


Figure 14.2

14.3 Removal of the sensor



Warning: isolate the boiler from the mains electricity supply before removing any covering or component.

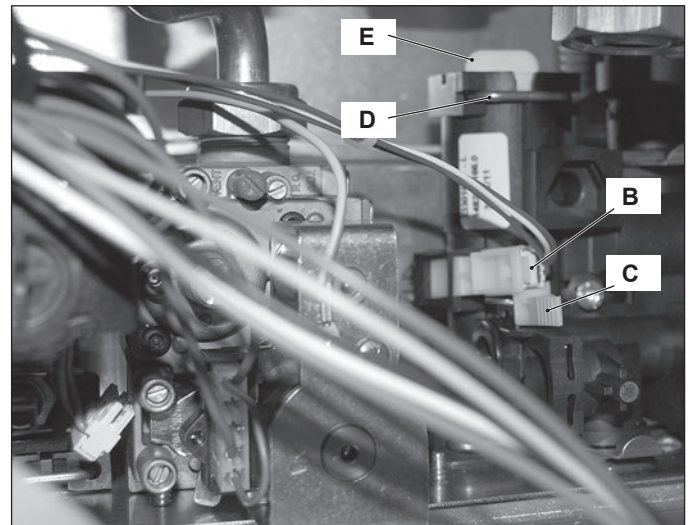


Figure 14.3

- 1 Remove the front panel of the case.
- 2 Remove the sensor holder "C" and disconnect the connectors "B" (Figure 14.3).
- 3 Remove the sensor.

14.4 Checks



Warning: isolate the boiler from the mains electricity supply before removing any covering or component.

✓ Sensor operation

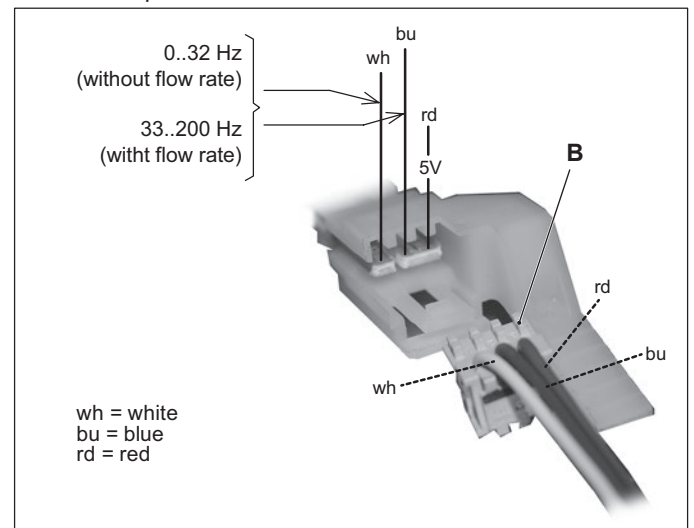


Figure 14.4

- 1 Remove the front panel of the case.
- 2 Don't disconnect the connectors "B".
- 3 Measure the electrical frequency at the leads of the sensor. Without flow rate the electrical frequency must be 0÷32Hz. With flow rate the electrical frequency must be 33÷200Hz.

D.H.W. FLOW SWITCH, FILTER AND FLOW LIMITER

14.5 Removal of the flow switch group and D.H.W. circuit filter



Warning: isolate the boiler from the mains electricity supply before removing any covering or component.

- 1 Please remove the sensor first as previously described and ensure it remains dry.
- 2 Remove the front panel of the case and empty the D.H.W. circuit.
- 3 Remove the fork "D" and pull up the flow switch plug "E" (Figure 14.3) with the help of a screwdriver.
- 4 To remove the body "4" with the filter from the flow switch group rotate the flow switch plug "1" (Figure 14.5).
- 5 Reassemble the parts following the removing sequence in reverse order.

14.6 Flow limiter

The Advance Plus 25C ERP model is factory fitted with a 10 litres/min. flow limiter (white).

To install the flow limiter:

- 1 Remove the flow switch group as explained in the section "14.5 Removal of the flow switch group and D.H.W. circuit filter" on page 37.
- 2 Rotate the flow switch plug "1" to separate it from the body "4" (Figure 14.5).

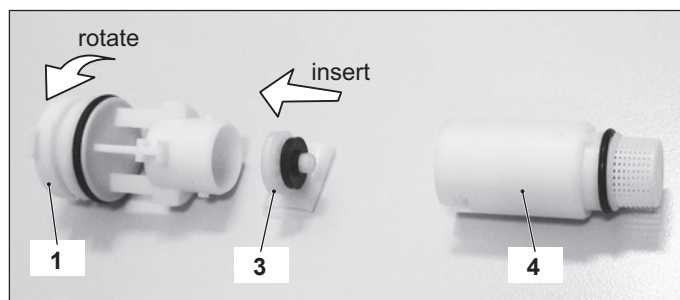


Figure 14.5

- 3 Insert the flow limiter "3" as shown in Figure 14.5.
- 4 Reassemble the group following the above sequence in reverse order.

TEMPERATURE PROBE

15 TEMPERATURE PROBE

15.1 Function

The Temperature probe has the function of converting the temperature of the water in the hydraulic circuit where it is installed into an electrical signal (resistance).

The relation between temperature and electrical resistance is stated in Figure 15.1.

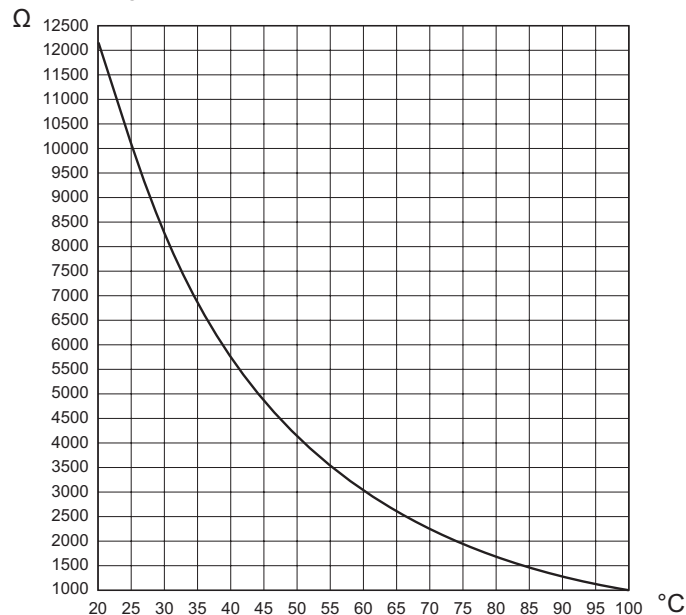


Figure 15.1

On the boiler there are two temperature probes. One on the output of the primary condensing heat exchanger (C.H. temperature probe) "A" in Figure 15.2 and Figure 15.3; one on the output of the D.H.W. heat exchanger (D.H.W. temperature probe) "B" in Figure 15.2 and Figure 15.4.

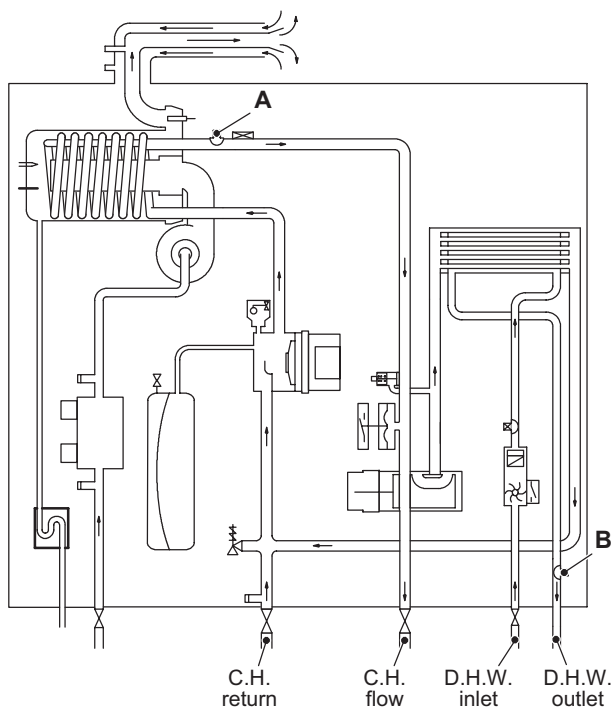


Figure 15.2

15.2 Checks

- ✓ Temperature-resistance relationship



Warning: isolate the boiler from the mains electricity supply before removing any covering or component.

Disconnect the cable from the Temperature probe. Measure the temperature of the pipe "D" (only C.H. temperature probe) where the Temperature probe is located and check the electrical resistance according to the graph in Figure 15.1.

15.3 Removal of the C.H. Temperature probe



Warning: isolate the boiler from the mains electricity supply before removing any covering or component.

- 1 Remove all the case panels and the sealed chamber lid.
- 2 Empty the primary circuit of the boiler.
- 3 Remove the electric connector "C" and unscrew the C.H. Temperature probes "A" (Figure 15.3).
- 4 Reassemble the C.H. Temperature probes carrying out the removal operations in reverse order.

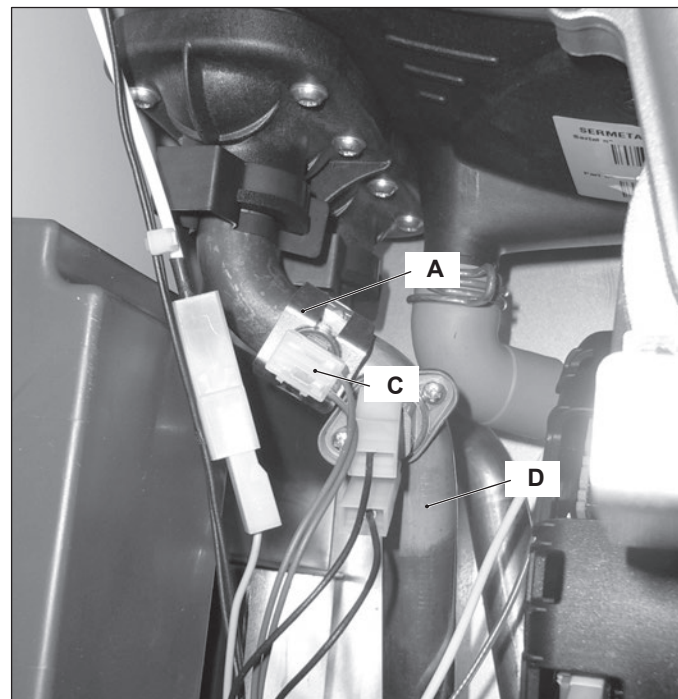


Figure 15.3

15.4 Removal of the D.H.W. Temperature probes




Warning: isolate the boiler from the mains electricity supply before removing any covering or component.

Removal of the D.H.W. Outlet Temperature probe

- 1 Remove the front panel of the case and lower the control panel.
- 2 Empty the D.H.W. circuit of the boiler.
- 3 Remove the electric connector "E" (Figure 15.4)
- 4 Remove the fork "F" and pull the D.H.W. Temperature probe "B".
- 5 Reassemble the D.H.W. Temperature probe carrying out the removal operations in reverse order.

TEMPERATURE PROBE

 **Warning:** to lubricate the O-ring gaskets exclusively use a silicone base grease compatible to be in contact with foods and approved by the local water Authorities.

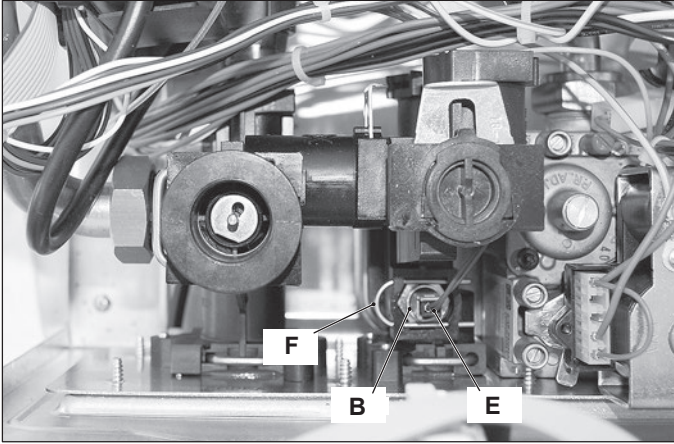


Figure 15.4

BY-PASS VALVE

16 BY-PASS VALVE

16.1 Function

The By-pass valve "A" in Figure 16.1 is located between the C.H. water flow and return and its function is that of guaranteeing a minimum flow across the primary heat exchanger if the circulation across the C.H. system is completely closed.

The By-pass valve is fitted on the rear side of the diverter group.

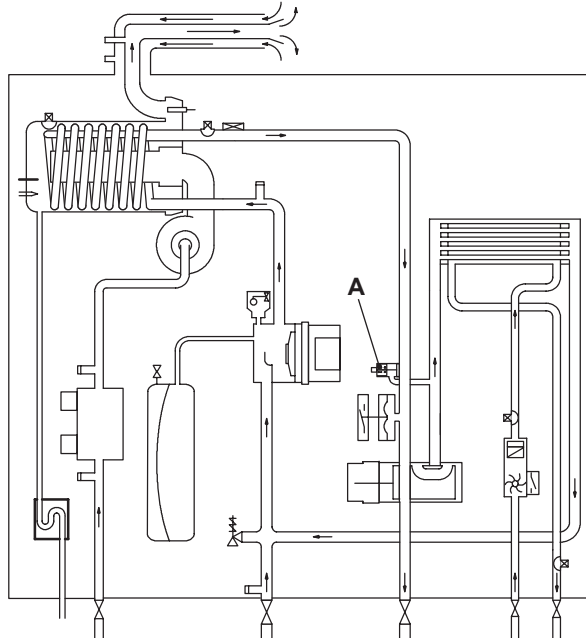


Figure 16.1

Attention. When reassembling the By-pass valve be sure that it is correctly oriented by matching the reference "C" with the notch "D" of the water group Figure 16.3.

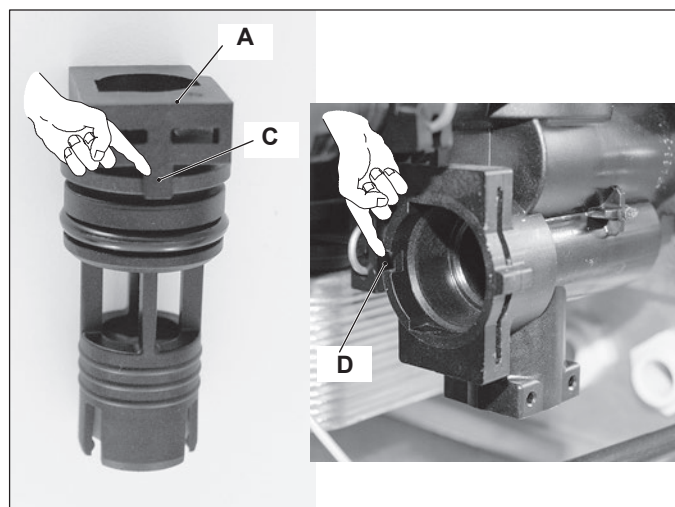



Figure 16.3

16.2 Removal

 **Warning:** isolate the boiler from the mains electricity supply before removing any covering or component.

- 1 Remove all the case panels.
- 2 Empty the primary circuit of the boiler.
- 3 Remove the locking plate "B" and pull up the by-pass valve "A" (Figure 16.2).

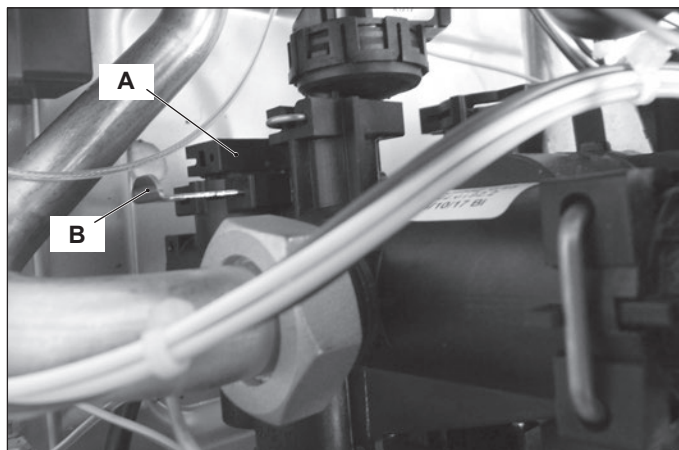



Figure 16.2

- 4 Reassemble the by-pass valve as illustrated in Figure 16.2 reversing the order of removal.

 **Warning:** to lubricate the O-ring gaskets exclusively use a silicone base grease compatible to be in contact with foods and approved by the local water Authorities.

17 FAN AND AIR BOX

17.1 Function

The function of the Fan "A" (Figure 17.1) is to force the mixture of air and gas into the burner.

The function of the Air box "B" is to mix the gas and the air in the right proportion.

The flow rate of the air-gas mixture and consequently the input power of the boiler is proportional to the speed of the fan that is controlled by the electronic control p.c.b.

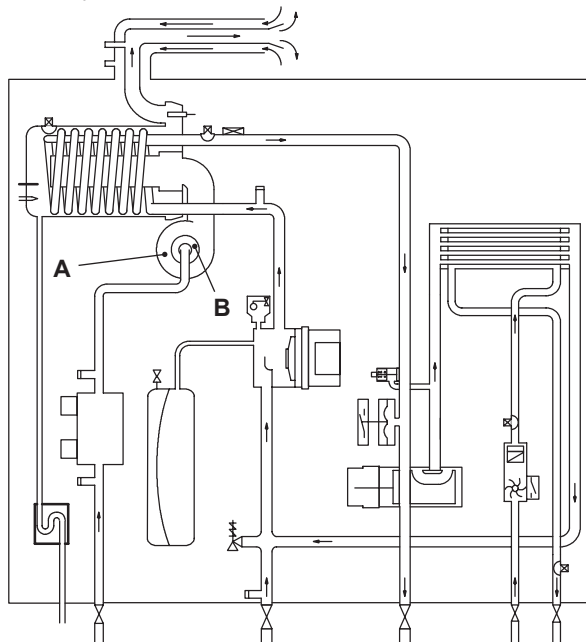


Figure 17.1

- 3 Disconnect the air manifold "E" (Figure 17.2).
- 4 Unscrew the gas connector "F".
- 5 Remove the gas pipe "G".
- 6 Disconnect the connector "C".
- 7 Disconnect the fan connector "D" by pressing the plastic hook placed on the side of the connector.
- 8 Unscrew the screws "H".
- 9 Remove the fan "A" with the air box "B".
- 10 Assemble the Fan carrying out the removal operations in reverse sequence.

Before reassembling ensure the fan gasket (Figure 17.2) is correctly mounted.



Warning: Place the seal on the pipe and offer the pipe with O'ring pre fitted into the manifold rather than inserting the O'ring into the manifold and offering the pipe into it.

After any service operation on the components of the gas circuit check all the connections for gas leaks.



Warning: After cleaning or replacement as detailed above, it is deemed necessary to undertake a combustion analysis as detailed in section "11.3 Adjustment" on page 30.

17.2 Removal of the Air box and the Fan



Warning: isolate the boiler from the mains electricity supply before removing any covering or component.

- 1 Turn off the gas supply.
- 2 Remove all the case panels (see section "2 General access and emptying hydraulic circuits" on page 5).

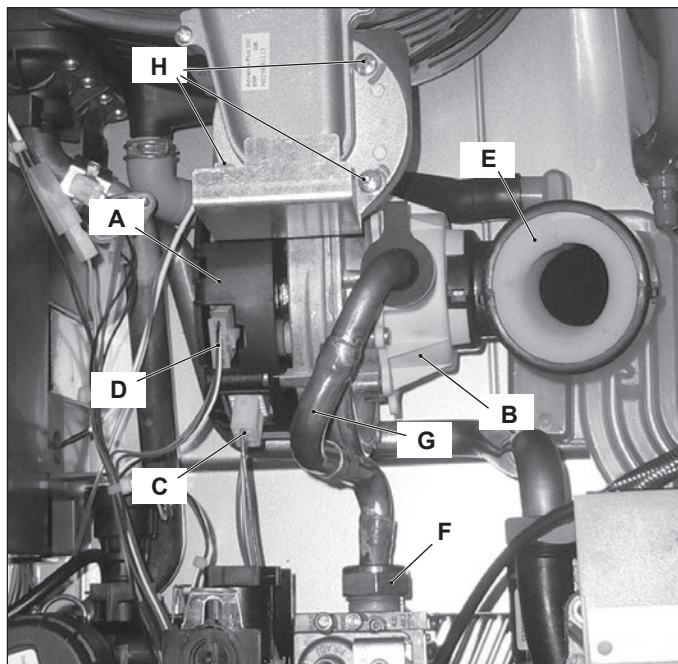


Figure 17.2

IGNITION AND DETECTION ELECTRODES

18 IGNITION, DETECTION ELECTRODES AND BURNER

18.1 Function

Three electrodes are fitted on the fan-burner group. Two of them, fitted on the right side of the fan-burner group "A", are the ignition electrodes "B". On the left side is the detection electrode "C" and it detects the presence of the flame.

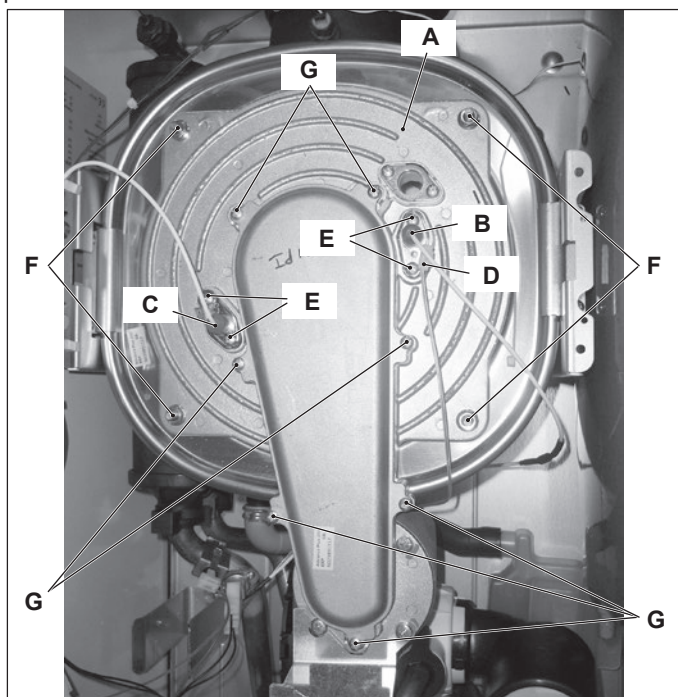


Figure 18.1

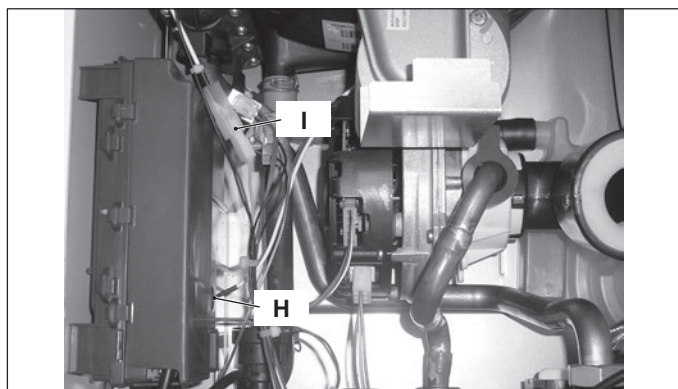


Figure 18.2

The burner "J" is fitted on the rear of the fan-burner group "A".

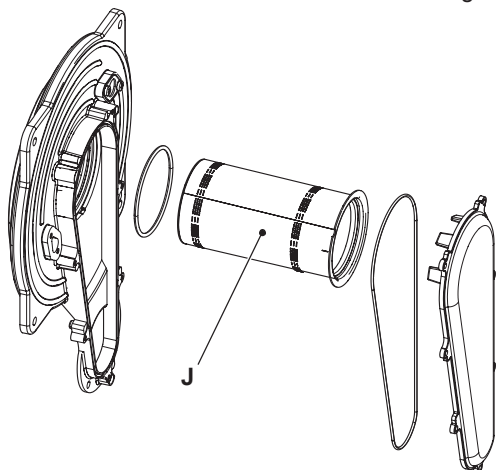


Figure 18.3

18.2 Removal of the Ignition and detection electrodes



Warning: isolate the boiler from the mains electricity supply before removing any covering or component.

- 1 Remove all the case panels (see section "2 General access and emptying hydraulic circuits" on page 5).
- 2 Disconnect the ignition electrodes connector "H" (Figure 18.2) and the earth wire "D" (Figure 18.1) and disconnect the detection electrode connector "I" (Figure 18.2).
- 3 Unscrew the screws "E" and remove the ignition electrodes "B" and the detection electrode "C".
- 4 Assemble the Ignition and detection electrodes carrying out the removal operation in reverse order.



Warning: A new sealing gasket must be used during refitting of the electrodes on all occasions of removal.

18.3 Removal of the burner



Warning: isolate the boiler from the mains electricity supply before removing any covering or component.

- 1 Remove the air box and the fan (see section "17.2 Removal of the Air box and the Fan" on page 41).
- 2 Remove the Ignition and detection electrodes (see section "18.2 Removal of the Ignition and detection electrodes" on page 42).
- 3 Unscrew the screws "F" (Figure 18.1) and remove the cover of the combustion chamber.
- 4 Unscrew the screws "G" (Figure 18.1) and remove the Air-gas duct lid.
- 5 Remove the burner by sliding it forward.

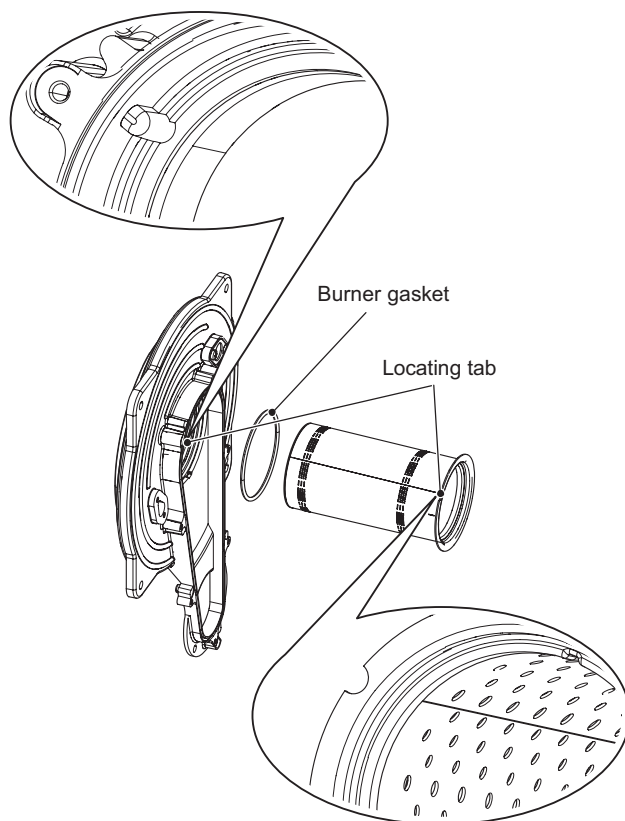


Figure 18.4

IGNITION AND DETECTION ELECTRODES

- 6 Assemble the burner carrying out the removal operation in reverse order. Ensure the burner is correctly located by lining up the locating tab (Figure 18.4).

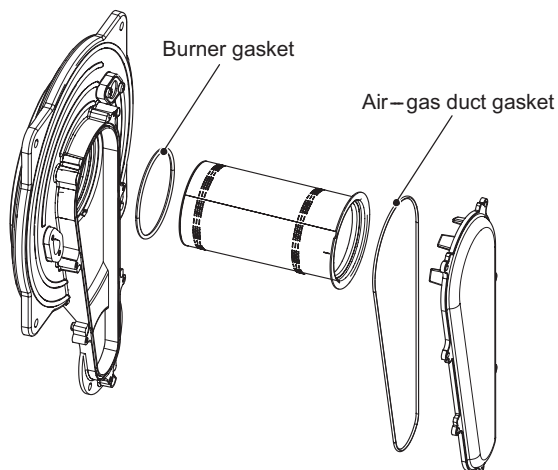


Figure 18.5

Before reassembling ensure the burner gasket is correctly located.



Warning: After cleaning or replacement as detailed above, it is deemed necessary to undertake a combustion analysis as detailed in section "11.3 Adjustment" on page 30).

18.4 Removal of the front insulation panel

See warning note at the end of this chapter before to remove this part.

- 1 Remove the Ignition and detection electrodes (see section "18.2 Removal of the Ignition and detection electrodes" on page 42).
- 2 Remove the burner (see section "18.3 Removal of the burner" on page 42).
- 3 Remove the front insulation panel (Figure 18.6).
- 4 Assemble the new front insulation carrying out the removal operation in reverse order. When fitting the new panel ensure that the electrodes holes coincide with the holes of the combustion chamber.

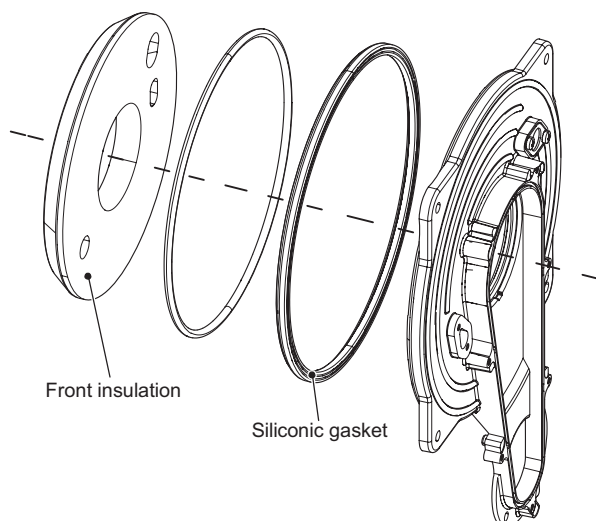


Figure 18.6

Caution:

After any periodical servicing or disturbance the combustion

chamber silicon seal (Figure 18.6) and the Air-gas duct gasket (Figure 18.7) must be fully inspected and replaced at the discretion of the service engineer.

After any disturbance to the chamber door seal the appliance must undergo a full analytical combustion performance check.

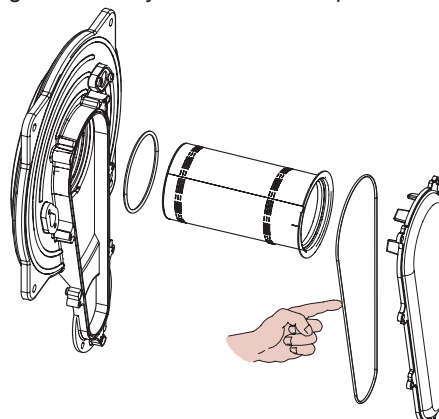


Figure 18.7

18.5 Removal of the rear insulation

See warning note at the end of this chapter before to remove this part.



Attention: Cover the inner of the condensing heat exchanger to avoid that dirt and debris fall in the coil.

- 1 Do the operations of section "18.3 Removal of the burner" on page 42 from step 1 to step 3.
- 2 Remove the insulation "K" by pulling it towards the boiler front (Hung it with a screwdriver tip) (Figure 18.8).

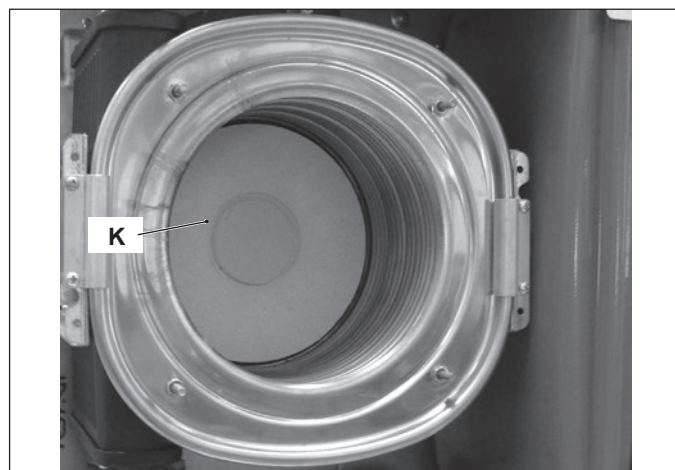


Figure 18.8

18.6 Checks

- ✓ Check of the spark generator



Warning: isolate the boiler from the mains electricity supply before removing any covering or component.

There is not a significant way to verify the integrity of the spark generator. When the fan turns but the burner does not light a possible cause is a faulty spark generator and it is advisable to replace it to locate the fault.

- ✓ Check the position of the electrode edges

IGNITION AND DETECTION ELECTRODES



Warning: isolate the boiler from the mains electricity supply before removing any covering or component.

- 1 Remove the ignition electrodes (see section "18.2 Removal of the Ignition and detection electrodes" on page 42).
- 2 Check for the correct distance between the metallic edges of the ignition electrode (see Figure 18.9 - Figure 18.10).

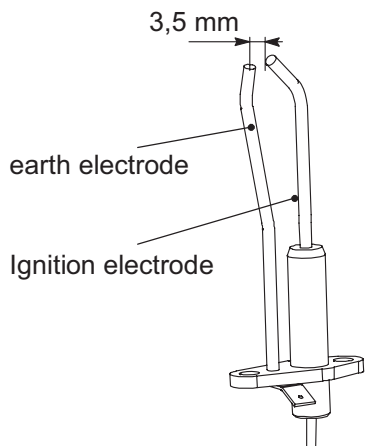


Figure 18.9

- ✓ Check the connection wires



Warning: isolate the boiler from the mains electricity supply before removing any covering or component.

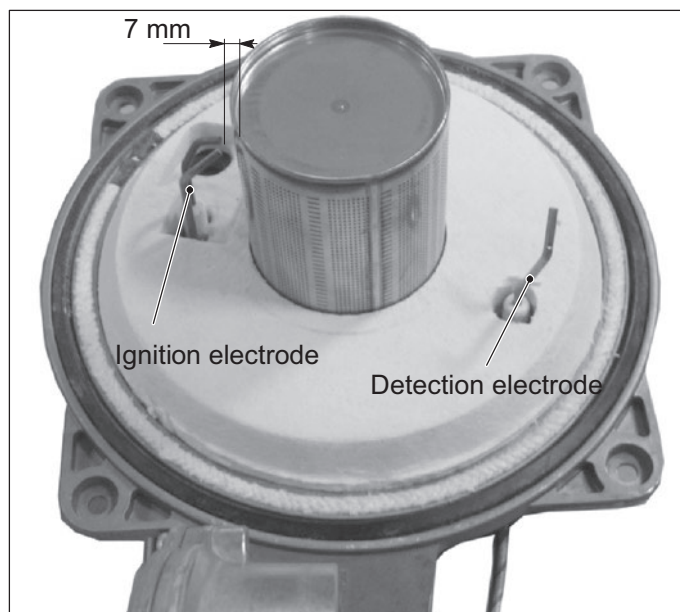


Figure 18.10

- 1 Remove all the case panels and the sealed chamber lid.
- 2 Check for the integrity of the insulation of wires which connect the electrodes to the spark generator and to the control/ignition p.c.b.

- ✓ Check of the detection electrode.



Warning: isolate the boiler from the mains electricity supply before removing any covering or component.

The detection electrode in Figure 18.10 also functions as a sensor for the correct drainage of the condensate.

Should the mentioned electrode come into contact with the condensate water present within the combustion chamber it sends the boiler into safety lockout.

Therefore, should the insulation be wet or deteriorated, provide for the substitution of the same.

Remove any encrustations and dirt from the detection electrode or replace it if damaged.

Warning - Insulation panels material handling care

Mineral fibres are used in this appliance for the insulation panels of the combustion chamber

Excessive exposure to these materials may cause temporary irritation to eyes, skin and respiratory tract.

Known hazards - Some people can suffer reddening and itching of the skin. Fibre entry into the eye will cause foreign body irritation, which can cause severe irritation to people wearing contact lenses. Irritation to respiratory tract.

Precautions - Dust goggles will protect eyes. People with a history of skin complaints may be particularly susceptible to irritation.

High dust levels are only likely to arise following harsh abrasion.

In general, normal handling and use will not present high risk, follow good hygiene practices, wash hands before, touching eyes, consuming food, drinking or using the toilet.

First aid - Medical attention must be sought following eye contact or prolonged reddening of the skin.

SAFETY THERMOSTAT

19 SAFETY THERMOSTAT

19.1 Function

The safety thermostat "A" in Figure 19.1 is a device that senses the temperature of the primary circuit water which flows in the outlet pipe of the condensing heat exchanger.

If the temperature control system of the boiler fails and the temperature of the primary circuit reaches a dangerous temperature, the safety thermostat opens the electric circuit that supplies the on-off operators of the gas valve.

Consequently, the full sequence ignition device attempts to light the burner and, at the end, locks the boiler and lights the lock-out on the display.

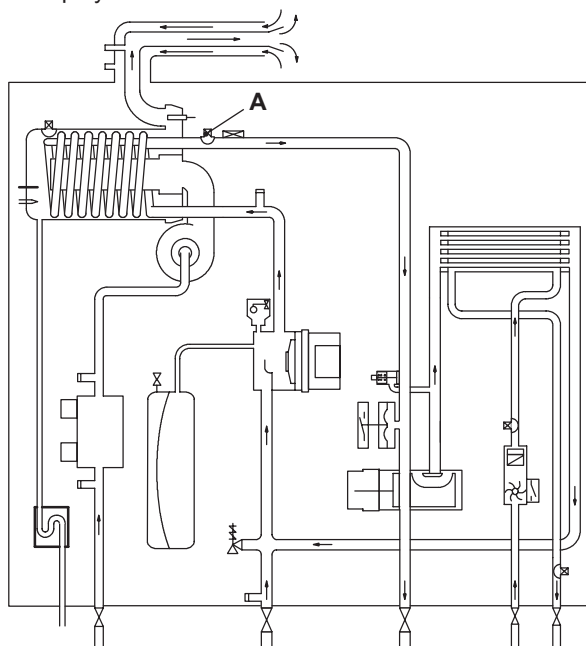


Figure 19.1

19.2 Checks

✓ Overheat temperature value

- 1 Run the boiler and set the temperature at maximum by pressing the appropriate key.
- 2 Allow the boiler to reach its maximum operating temperature (monitor the temperature gauge on the instrument panel). The boiler should maintain a temperature below that of the safety thermostat and no overheat intervention should occur.



Warning: isolate the boiler from the mains electricity supply before removing any covering or component.

✓ Electrical function

- 1 Remove all the case panels and the lid of the sealed chamber.
- 2 Disconnect the safety thermostat and check its electrical function. Normally (no intervention) the contact must be closed (electrical resistance zero Ω).

19.3 Removal



Warning: isolate the boiler from the mains electricity supply before removing any covering or component.

- 1 Remove all the case panels.
- 2 Disconnect the wiring "B" (detail in Figure 19.2).
- 3 Unscrew the screws "C" and remove the overheat thermostat.

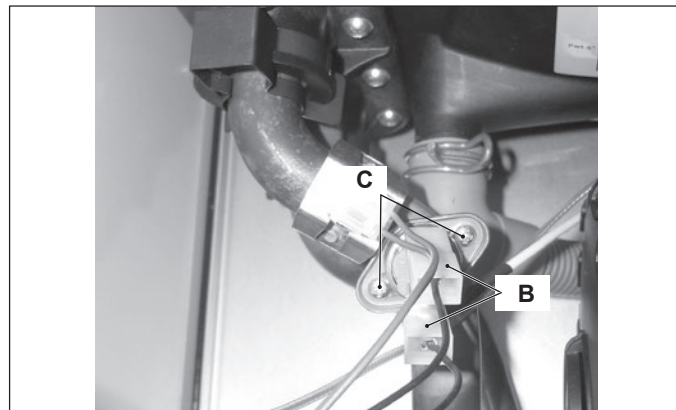


Figure 19.2

- 4 Reassemble the overheat thermostat carrying out the operations in reverse order.
- 5 Apply an adequate quantity of heat conducting compound between the pipe and the thermostat.



Warning: After cleaning or replacement as detailed above, it is deemed necessary to undertake a combustion analysis as detailed in section "11.3 Adjustment" on page 30.

FLUE TEMPERATURE PROBE NTC AND SAFETY THERMAL FUSE

20 FLUE TEMPERATURE PROBE NTC - FLUE THERMAL FUSE AND SAFETY THERMAL FUSE

20.1 Function

The Flue temperature probe NTC - Flue thermal fuse "A" in Figure 20.1 and Figure 20.2 senses the temperature of the combustion products that flow through the condensing heat exchanger.

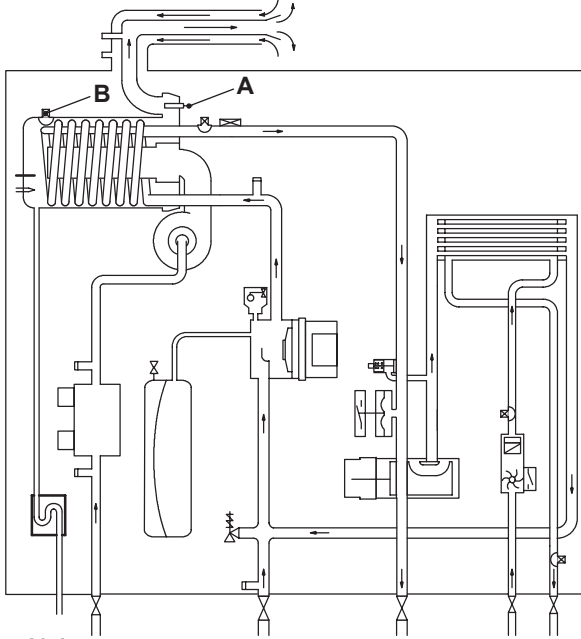


Figure 20.1

If the temperature of the combustion products circuit reaches the limit temperature, the Flue temperature probe NTC reduces the gas flow rate to the burner. The temperature of the combustion products should decrease to a safe value temperature.

In the case that the temperature of the combustion products reaches a potentially dangerous value, the flue thermal fuse stops the boiler operation (lock-out).

This allows the use of plastic materials for the flue outlet pipes and bends.

The use of kits different from the original isn't however allowed, since the flue pipes are integral parts of the boiler.

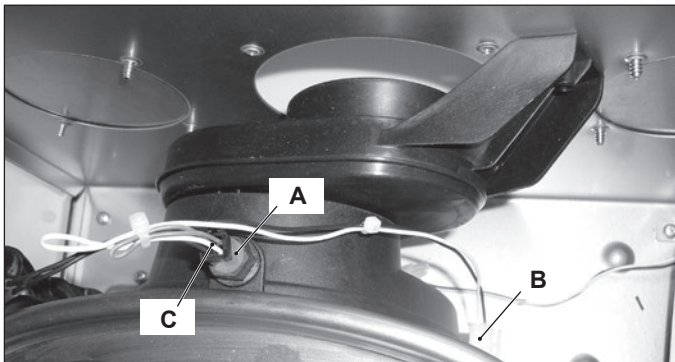


Figure 20.2

A Flue temperature probe NTC - Flue thermal fuse "A" in Figure 20.1 and Figure 20.2 is also connected in series with the Flue temperature probe NTC and acts as a safety device in extreme case of incorrect operation of the Flue temperature control system.

Reaching the breakdown temperature it opens the circuit and locks out the boiler.

In case of intervention of this safety device the heat exchanger (part shown in Figure 20.3) may be damaged and must be replaced.

A Safety thermal fuse "B" in Figure 20.1 and Figure 20.2 is also connected in series with the Flue temperature probe NTC and acts as a safety device in extreme case of incorrect operation of the Flue temperature control system.

Reaching the breakdown temperature it opens the circuit and locks out the boiler.

In case of intervention of this safety device the heat exchanger (part shown in Figure 20.3) may be damaged and must be replaced.



Figure 20.3

20.2 Removal



Warning: isolate the boiler from the mains electricity supply before removing any covering or component.

- 1 Remove all the case panels.
- 2 Disconnect the connector "C" from the Flue temperature probe NTC by pressing the plastic hook placed on the side of the connector (Figure 20.2).
- 3 Unscrew and remove the Flue temperature probe NTC "A" (Figure 20.2) from the condensing heat exchanger.
- 4 Assemble the Flue temperature probe NTC carrying out the removal operations in reverse sequence.
- 5 Ensure the flue NTC probe seal is in a good serviceable condition to avoid POC and condensate leakage.

20.3 Checks

✓ Overheat temperature value

- 1 Set the temperature control knobs to their max. position and run the boiler in D.H.W. and C.H.
- 2 Allow the boiler to reach its maximum operating temperature (monitor the temperature gauge on the instrument panel). The boiler should maintain a temperature below that of the Flue temperature probe NTC and no overheat intervention should occur.

✓ Temperature-resistance relationship.

- 1 Remove the Flue temperature probe NTC (see section "20.2 Removal" on page 46).
- 2 Measure the Flue temperature probe NTC electrical resistance at the ambient temperature and check it according to the graph in (Figure 20.4).

FLUE TEMPERATURE PROBE NTC AND SAFETY THERMAL FUSE

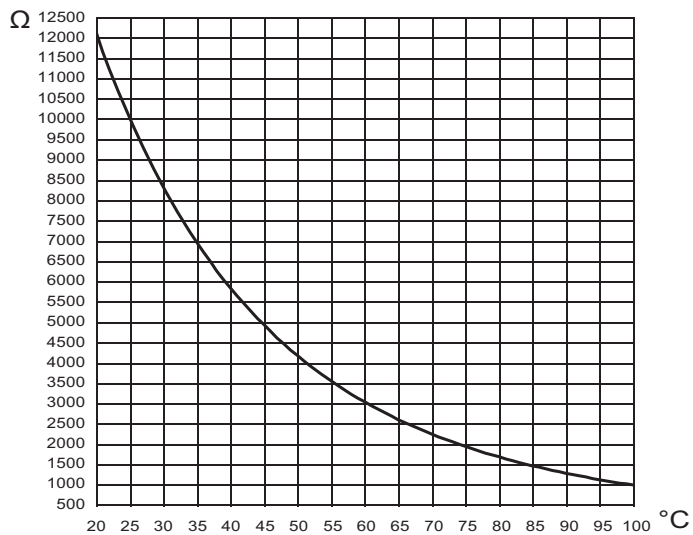


Figure 20.4

CONDENSATE TRAP

21 CONDENSATE TRAP

21.1 Function

The condensate trap "A" in Figure 21.1 and Figure 21.2 allows the discharge of the condensate via the condensate drain pipe avoiding in the mean time the escape of combustion products. A plastic ball closes the trap outlet in case that the trap is empty.

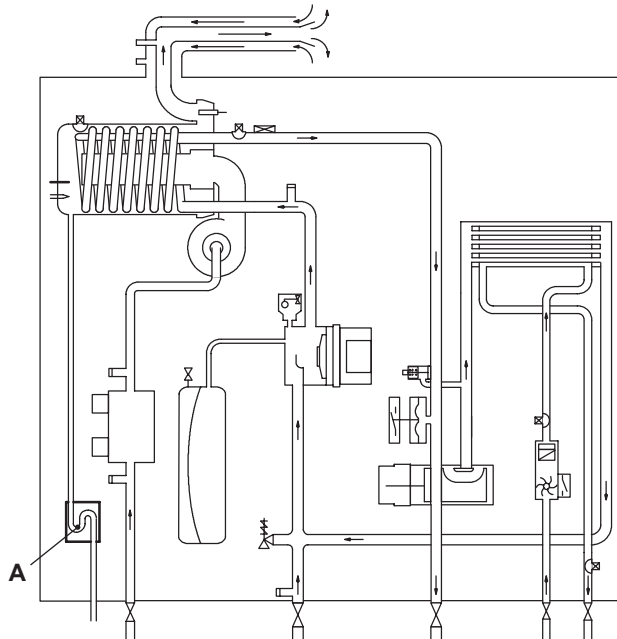


Figure 21.1

If the drain pipe becomes blocked, or condensate cannot drain, the condensate level in the trap rises until it affects the flame detection probe, this will cause the boiler lock-out.

21.2 Check the cleanness of the trap

The condensate drain pipe "A" in Figure 21.2 does not require any particular maintenance but just check:

- 1 That no solid deposits have formed, if so remove them.
- 2 That the condensate drain piping is not clogged.

To clean the inside of the siphon, remove it and turn it upside down to remove any dirt (see section "21.3 Removal" on page 48).

21.3 Removal



Warning: isolate the boiler from the mains electricity supply before removing any covering or component.

- 1 Remove the front and right case panels.
- 2 Disconnect the air manifold "B".
- 3 Using pliers, remove the spring "C" moving it to the left.
- 4 Remove the pipe "D" from the trap "A".

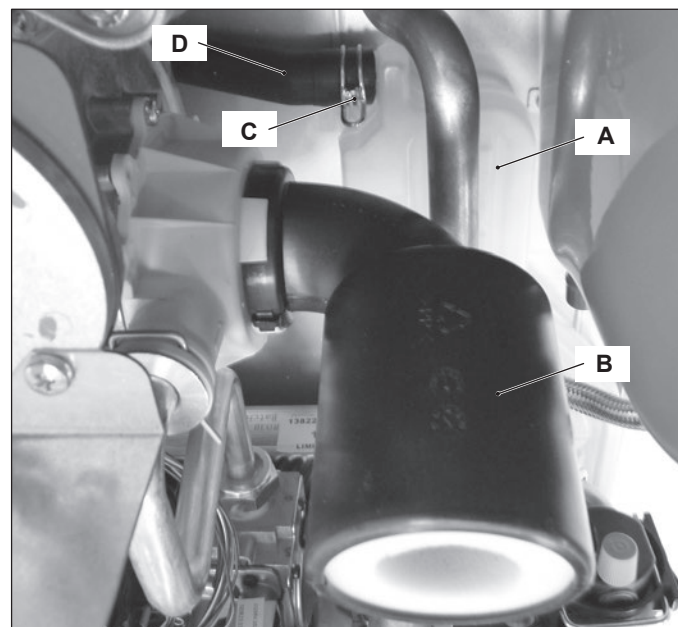


Figure 21.2

- 5 Remove the trap "A", moving it upwards; from the grommet "E".
- 6 Reassemble carrying out the removal operations in reverse order.

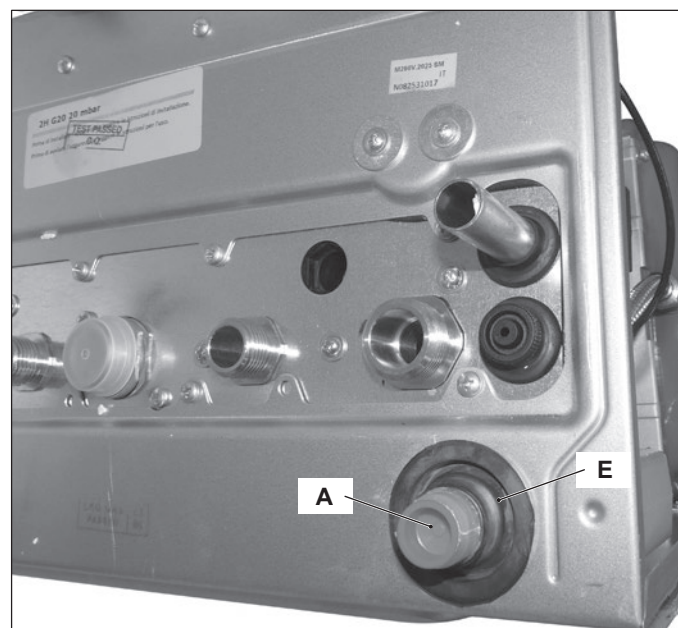


Figure 21.3

SHORT SPARE PARTS LIST

22 SHORT SPARE PARTS LIST

Key	G.C. part no.	Description	Q.ty	Manufacturer part no.	Manufacturer's reference
1		Burner (mod. Advance Plus 25C ERP, Advance Plus 25S ERP)	1	BI1573 100	
		Burner (mod. Advance Plus 30C ERP, Advance Plus 35C ERP, Advance Plus 30S ERP)	1	BI1573 101	
2		Expansion vessel	1	BI1462 100	
3	H58-660	Condensing heat exchanger (mod. Advance Plus 30C ERP, Advance Plus 35C ERP, Advance Plus 30S ERP)	1	BI1432 101	
	H58-659	Condensing heat exchanger (mod. Advance Plus 25C ERP, Advance Plus 25S ERP)	1	BI1432 100	
4		Fan (mod. Advance Plus 25C)	1	BI1503 109	
		Fan (mod. Advance Plus 30C ERP, Advance Plus 35C ERP, Advance Plus 30S ERP)	1	BI1503 116	
5		Gas valve	1	BI1313 103	SIT 848 RQ
6		Safety valve (mod. Advance Plus 25C ERP, Advance Plus 30C ERP, Advance Plus 35C ERP)	1	BI1441 116	
	E83-013	Safety valve (mod. Advance Plus 25S ERP, Advance Plus 30S ERP)	1	BI1131 100	
7		Main Electronic control/ignition p.c.b.	1	BI2535 100	
8		Control panel electronic p.c.b.	1	BI2445 104	
9	E01-204	D.H.W. heat exchanger (mod. Advance Plus 25C ERP)	1	BI1001 101	
	E01-205	D.H.W. heat exchanger (mod. Advance Plus 30C ERP, Advance Plus 35C ERP)	1	BI1001 102	
10		Pump (mod. Advance Plus 25C ERP, Advance Plus 30C ERP, Advance Plus 35C ERP)	1	BI1672 100	
		Pump (mod. Advance Plus 25S ERP, Advance Plus 30S ERP)	1	BI1682 100	
11	H74-553	Temperature probe (main circuit)	1	BI1442 106	
12		D.H.W. flow switch	1	BI1441 501	
13		D.H.W. flow sensor	1	BI1441 104	
14	H74-545	Primary circuit pressure switch	1	BI1351 118	
15		Three way diverter valve (electric actuator)	1	BI1431 100	
16		Condensate trap	1	BI1782 107	
17	E83-101	Overheat thermostat	1	BI1172 105	ELTH - type 261
18		Flue temperature probe NTC - Flue thermal fuse	1	BI1782 103	
19	E23-792	Fuse 2 AF 250VAC 5x20	2	BI1165 112	
20	169-016	Temperature probe (D.H.W. circuit)	1	KI1042 501	
21		Detection electrode	1	BI1573 102	
22		Ignition electrode	1	BI1363 103	

SHORT SPARE PARTS LIST

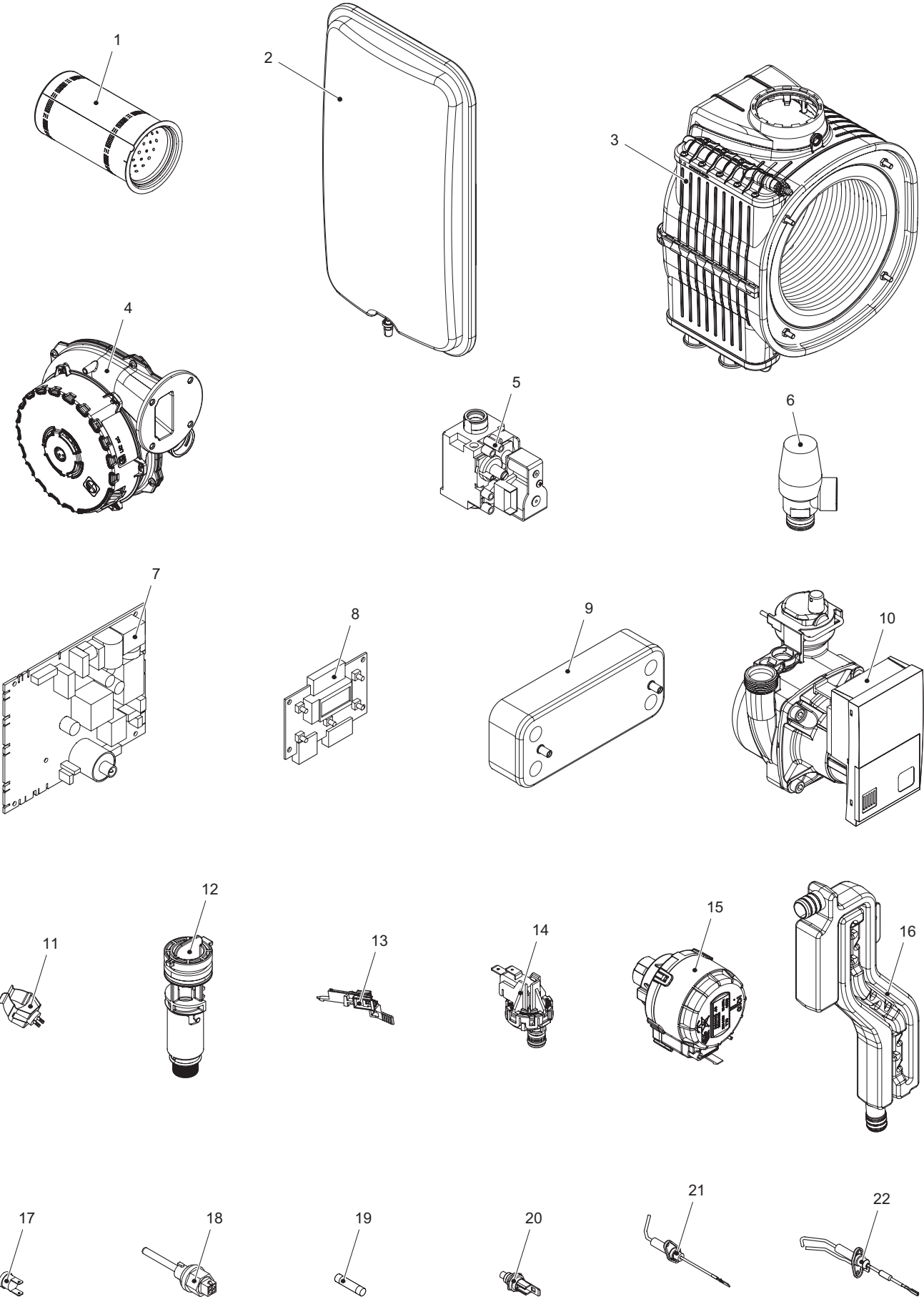


Figure 22.1



17962.2516.2 1718 52A4 UK



Biasi UK Ltd
Commercial Road
Leamore Enterprise Park
WALSALL

WS2 7NQ

Sales Tel. 01922 714600
Tech. Service Tel. 01922 714636
www.biasi.co.uk

