

# Riva COMBI

## WALL HUNG GAS BOILER FOR CENTRAL HEATING AND DOMESTIC HOT WATER SUPPLY

**Please Read Instructions Carefully  
Save for Future Reference**

**WARNING:** If the information in this manual is not followed exactly, a fire or explosion may result causing property damage, personal injury or loss of life.

- Do not store or use gasoline or other flammable vapors and liquids in the vicinity of this or any other appliance.
- **WHAT TO DO IF YOU SMELL GAS**
  - Do not try to light any appliance.
  - Do not touch any electric switch; do not use any phone in your building.
  - Immediately call your gas supplier from a neighbor's phone. Follow the gas supplier's instructions.
  - If you can not reach your gas supplier call the fire department.
- Installation and service must be performed by a qualified installer, service agency or the gas supplier.

Manufactured by:



Biasi S.p.A.  
Verona, Italy

Distributed By:



Quincy Hydronic Technology, Inc.  
3560 Lafayette Road  
Portsmouth, NH 03801  
Phone: 603-334-6400  
Fax: 603-334-6401



Dear Customer:

Thank you for buying a Biasi Riva Combi Boiler System.

The Riva Combi is a high efficiency, non-condensing, wall mounted gas boiler which provides central heat and domestic hot water.

We realize that it is not possible to answer all questions about the Riva Combi boiler system in this manual. Reading this installation manual does not make the reader an expert in all aspects of installation and operation, and does not replace the need for a qualified, licensed heating contractor. We urge you to contact your installing contractor or distributor if you are in question about any aspect of your boiler's performance. Our main concern is that you are satisfied with your boiler and its performance. We require that your contractor complete efficiency tests using instruments.

The external controls and accessories listed in this manual (excluding those supplied inside the boiler) are intended to serve as guidelines rather than specific recommendations. We realize that other makes and models of such devices are available and can be used as successfully as those we specify. The installing contractor is the best judge of a system's specific requirements, as well as the local availability of certain makes and models of controls and accessories. The preceding does not apply, however, to the equipment that comes with every boiler, such as the overheat control and pressure relief valves. **The installation of the specific devices supplied with every boiler is absolutely necessary to the safe operation of the boiler and protection of the heating system.**

All BIASI wall hung boilers are built in accordance with the ASME boiler and pressure vessel code, and bear the "H" stamp. The Entire range of applications for the Riva Combi has been tested to standard CSA 4.9 and is CSA compliant.

This Riva Combi has a 2 year warranty, a copy of which is provided with the boiler. Please be sure to return the warranty registration card as the warranty will be void without your boiler's serial numbers (located on the ratings label affixed to the boiler), date of installation and the name of your installer being on record in our files.

Thank you for purchasing our Riva Combi boiler. If you have questions or comments, please don't hesitate to contact us immediately. Our goal is 100% customer satisfaction.

**QHT inc.**

# Table of Contents

<b>Section Title</b>	<b>Section Number</b>	<b>Page Number</b>
Warnings	-	5-6
Important Information	-	7
General Information	1	8
Technical Information (M35.30CB)	2	8-9
Parts List	3	10
Internal Piping and Parts List	4	11
Electric Diagrams	5	12
Sequence of Operation	5.1	13
Installation Location	6	14
Exhaust Pipe Location	7	15
Mounting Bracket	8	16
Venting	9	17-25
Vent Requirements for Massachusetts	9	18
Restrictor Sizing	9.1	18
Fitting the Flue System	9.2	19
Choice of Flue	9.3	20-25
Pipe Connections	10	26
Gas Pipe Connections	11	27
Electrical Connections/Wiring	12	28-30
Power Connection	12.1	28
Connection to the Electricity Supply	12.2	28
Room Thermostat Connection	12.3	29
Relay Panel Connection	12.4	29
Zone Valve Microswitch Connection	12.5	30
Circulator Sizing	13	31
Circ. Cap. as a Function of Flow Rate	13.1	31
Expansion Vessels	13.2	31
Piping	14	32-35
Primary-Secondary Piping	14.1	33
Primary-Secondary with Zone Valves	14.2	34

# Table of Contents

<b>Section Title</b>	<b>Section Number</b>	<b>Page Number</b>
Manifold Piping with Zone Valves or Circ.	14.3	35
Commissioning	15	36-41
Filling the d.h.w. System	15.1	36
Initial Filling of the System	15.2	36
Lightning the Boiler	15.3	37
Checking the Gas Pres. at the Burner	15.4	37
Adjustment of the Gas Pressure	15.5	38
Checking the Ignition Device	15.6	38
Checking the Burner Ignition	15.7	39
Adjustment of the Useful c.h. Output	15.8	39
Labels Placement	15.9	40
Checking Flue System and Combustion	15.10	41
Instructing the User	15.11	41
Gas Conversion	16	42-43
Annual Maintenance	17	44-46
Warnings	17.1	44
Dismantling the External Panels	17.2	44
Emptying the d.h.w. System	17.3	44
Emptying the c.h. System	17.4	44
Cleaning the Primary Heat Exch.	17.5	45
Checking the Pressures. in C.h. Vess.	17.6	45
Checking the Pressures. in D.h.w. Vess.	17.7	45
Checking the Magnesium Anode	17.8	45
Cleaning the Burner	17.9	45
Checking the Flue	17.10	45
Visual Inspection of Appliance	17.11	45
Gas Pressures and Soundness	17.12	46
Installer Notes and Vent Part		
Spares Vent Part Spares	18	41



# WARNING

Boiler is certified as an indoor appliance. Do not install boiler outdoors or locate where it will be exposed to freezing temperatures.

**WARNING: If the information in this manual is not followed exactly, a fire or explosion may result causing property damage, personal injury or loss of life.**

- Do not store or use gasoline or other flammable vapors and liquids in the vicinity of this or any other appliance.
- **WHAT TO DO IF YOU SMELL GAS**
  - Do not try to light any appliance.
  - Do not touch any electric switch; do not use any phone in your building.
  - Immediately call your gas supplier from a neighbour's phone. Follow the gas supplier's instructions.
  - If you can not reach your gas supplier call the fire department.
- Installation and service must be performed by a qualified installer, service agency or the gas supplier.

# DANGER

**Caution: Do not store or use flammable materials, chemicals or flammable liquids, especially gasoline, in the vicinity of this heating appliance.**

# WARNING

Any appliance that burns natural gas, propane gas, fuel oil, wood or coal is capable of producing carbon monoxide (CO). Carbon Monoxide (CO) is a gas which is odorless, colorless and tasteless but is very toxic. CO is lighter than air and thus may travel throughout the building.

**BRIEF EXPOSURE TO HIGH CONCENTRATIONS OF CO, OR PROLONGED EXPOSURE TO LESSER AMOUNTS OF CO MAY RESULT IN CARBON MONOXIDE POISONING. EXPOSURE CAN BE FATAL AND EXPOSURE TO HIGH CONCENTRATIONS MAY RESULT IN THE SUDDEN ONSET OF SYMPTOMS INCLUDING UNCONSCIOUSNESS.**

Symptoms of CO poisoning include the following:

dizziness	vision problems	shortness of breath
headache	loss of muscle control	unclear thinking
nausea	weakness	unconsciousness

The symptoms of CO poisoning are often confused with those of influenza, and the highest incidence of poisoning occurs at the onset of cold weather or during flu season. A victim may not experience any symptoms, only one symptom, or a few symptoms.

**Suspect the presence of carbon monoxide if symptoms tend to disappear when you leave your home.**

The following signs may indicate the presence of carbon monoxide:

- Hot gasses from appliance, venting system pipes or chimney, escaping into the living space.
- Stale or smelly air.
- The presence of soot or carbon in or around the appliance.
- Flames coming out around the appliance.
- Very high unexplained humidity inside the building.
- Yellow colored flames in the appliance.

If any of the symptoms of CO occur or if any of the signs of carbon monoxide are present, **VACATE THE PREMISES IMMEDIATELY AND CONTACT A QUALIFIED HEATING SERVICE COMPANY OR THE GAS COMPANY OR THE FIRE DEPARTMENT.**

**ONLY QUALIFIED, LICENSED SERVICE CONTRACTORS SHOULD PERFORM WORK ON YOUR BIASI RIVA COMBI BOILER.**

## **IMPORTANT INFORMATION**

**Please read this page carefully.**

- **ALL BOILERS MUST BE INSTALLED IN ACCORDANCE WITH NATIONAL, STATE AND LOCAL PLUMBING, HEATING AND ELECTRICAL CODES AND ORDINANCES, AS WELL AS THE REGULATIONS OF THE SERVING ELECTRICAL, WATER AND GAS UTILITIES.**
- **All systems should be designed by competent contractors, and only persons knowledgeable in the layout and installation of heating systems should attempt the installation of any boiler. It is the responsibility of the installing contractor to see that all controls are correctly installed and operating properly when the installation is completed.**
- **This boiler is intended for use, only with propane or natural gas. All flammable liquids (especially gasoline), chemicals, rags, paper, wood scraps, debris, etc., should be kept away from the boiler at all times. Keep the boiler area clean and free of all fire hazards.**
- **Please read the literature and warranties supplied by the manufacturers for the various accessory equipment. This equipment is warranted by the respective manufacturers, not by Quincy Hydronic Technologies, Inc. Each piece of equipment must be installed and used according to the recommendations of the manufacturer.**

### **Codes and Regulations:**

Installation of the boiler and related equipment must conform to national, state and local regulating agencies and codes applicable to the installation of the equipment. In the absence of local requirements, the following codes apply:

- |   |
|---|
| A. ANSI/NFPA - #70 National Electric Code     |
| B. ANSI/NFPA - #211 Chimneys and Vents        |
| C. ANSI/NFPA - #Z223.1 National Fuel Gas Code |
| C. ANSI/NFPA - Domestic Gas Conversion Burner |
| D. CAN/CGA - B149 Installation Codes          |
| E. ANSI/ASME - CSD-1                          |

The above codes are available from:

National Fire Protection Association (NFPA)  
Battery March Park  
Quincy, Massachusetts, 02269  
<http://www.nfpa.org>

CSA International  
8501 E. Pleasant Valley Road  
Cleveland, OH 44134-5575  
<http://www.csa-international.org>

# 1. General Information

The Riva Combi is a high efficiency, non-condensing, wall mounted gas boiler which provides central heat and domestic hot water. The boiler features a gas valve which modulates the energy input from 44,000 BTU/h to 108,000 BTU/h. The boiler is shipped fully assembled with the components listed on page 11. All units are pressure and combustion tested at the factory prior to shipping.

## Key Features:

- Wall mountable - saving valuable floor space.
- Several flue options available
- Electronic spark ignition
- Safety flow switch - positioned on the main circuit, which monitors the flow and protects the main heat exchanger from thermal shock should there be a lack of water in the system.
- Frost protection - contains an integral frost protection system to prevent frost damage which can occur in areas susceptible to very cold weather conditions.
- Boiler operation recognition system - should the boiler not be used for longer than 24 hours, it then performs a controlled system test to ensuring the motorized components within the boiler do not become inoperable due to lack of use.
- Gas valve modulation - the gas input modulates based off central heating and domestic hot water temperature to within  $\pm 2$  °F
- Diagnostic information system equipped with three LED diagnostic lights for quick error assessment.

# 2. Technical Information (M35.30CB)

GENERAL		
Height	in	35.4
Width	in	23.6
Depth	in	18.1
Weight	lb	172

DOMESTIC HOT WATER		
Maximum temperature	°F	140
Minimum temperature	°F	100
Maximum pressure	psi	116
Useful tank capacity	gal	13.2
D.h.w circuit flow rate $\Delta T = 55$ °F (30 °C)	gpm	3.99
Continuous d.h.w production $\Delta T = 45$ °F (25 °C)	gpm	4.54
Continuous d.h.w. production $\Delta T = 72$ °F (40 °C)	gpm	2.85
Preparation time	min	7'57"

CENTRAL HEATING		
Maximum working temp.	°F	185
Temp. Regulation range*	°F	100-176
Maximum pressure	psi	30.0
Minimum pressure	psi	4.35
Max head loss (at 4.4 GPM)	ft	10
*At the minimum useful output		

## 2. Technical Information Cont.

### ENERGY CAPACITY

Nominal heat input (0/2000ft)	MBH	122.8
Nominal heat input (2000/4500ft)	MBH	116.7
Minimum heat input	MBH	49.5
Maximum useful output (0/2000ft)	MBH	100.7
Maximum useful output (2000/4500ft)	MBH	95.9
Minimum useful output	MBH	37.0

### GAS SUPPLY PRESSURE

Gas		Normal	Min	Max
Natural	inwc	7.0	3.5	10.5
Propane	inwc	11.0	8.0	12.0

### GAS PRESSURE AT BURNER

Gas		Min	Max	Ignition
Natural	inwc	0.8	5.3	2.4
Propane	inwc	1.4	9.0	5.2

### FLUE DESIGN

Minimum Venturi pressure	inwc	0.66
Flue pipe diameter		
Coaxial	in	2.25/4 3.25/5
Twin split pipes	in	3.25/3.25
Nominal heat flow rate (0/2000ft)	MBH	122.8
Nominal heat flow rate (2000/4500ft)	MBH	116.7
Min Exhaust temperature	°F	255
Max Exhaust temperature	°F	302

### INJECTORS

	No.	Size
Natural	14	130
Propane	14	89

### GAS FLOW RATE

Gas		Min	Max
Natural	ft <sup>3</sup> /h	48.7	121.1
Propane	lb/h	2.23	5.55

### ELECTRICAL

Voltage	V	120
Frequency	Hz	60
Current	A	< 1.6
Power consumption	W	176

### FLUE GAS FIGURES

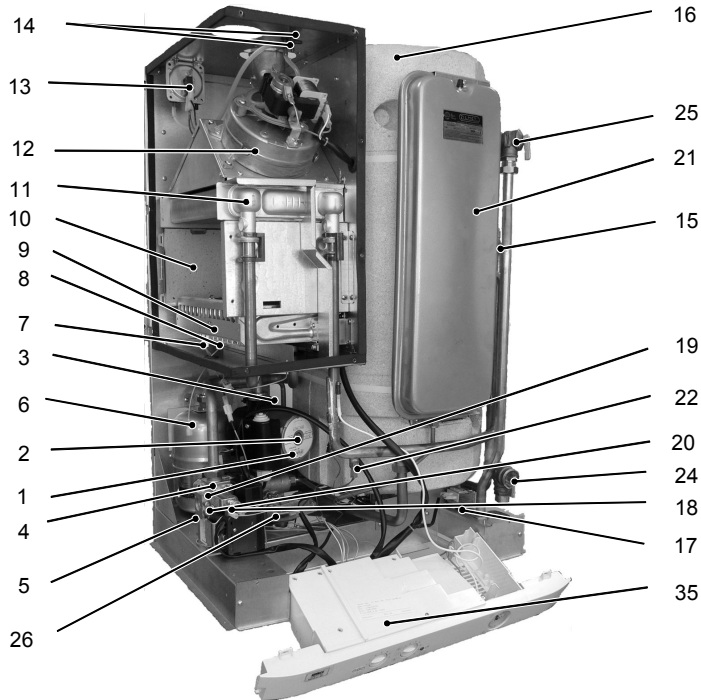
Gas	Min	Max
CO <sub>2</sub>	2.2%	6.9%
O <sub>2</sub>	17.0%	8.6%

### CLEARANCE TO COMBUSTIBLES

	in	
Front	in	18
Back	in	0
Top	in	8
Sides	in	2
Bottom	in	8
Flue pipe enclosed	in	2
Flue pipe free air	in	0

# 3. Parts List

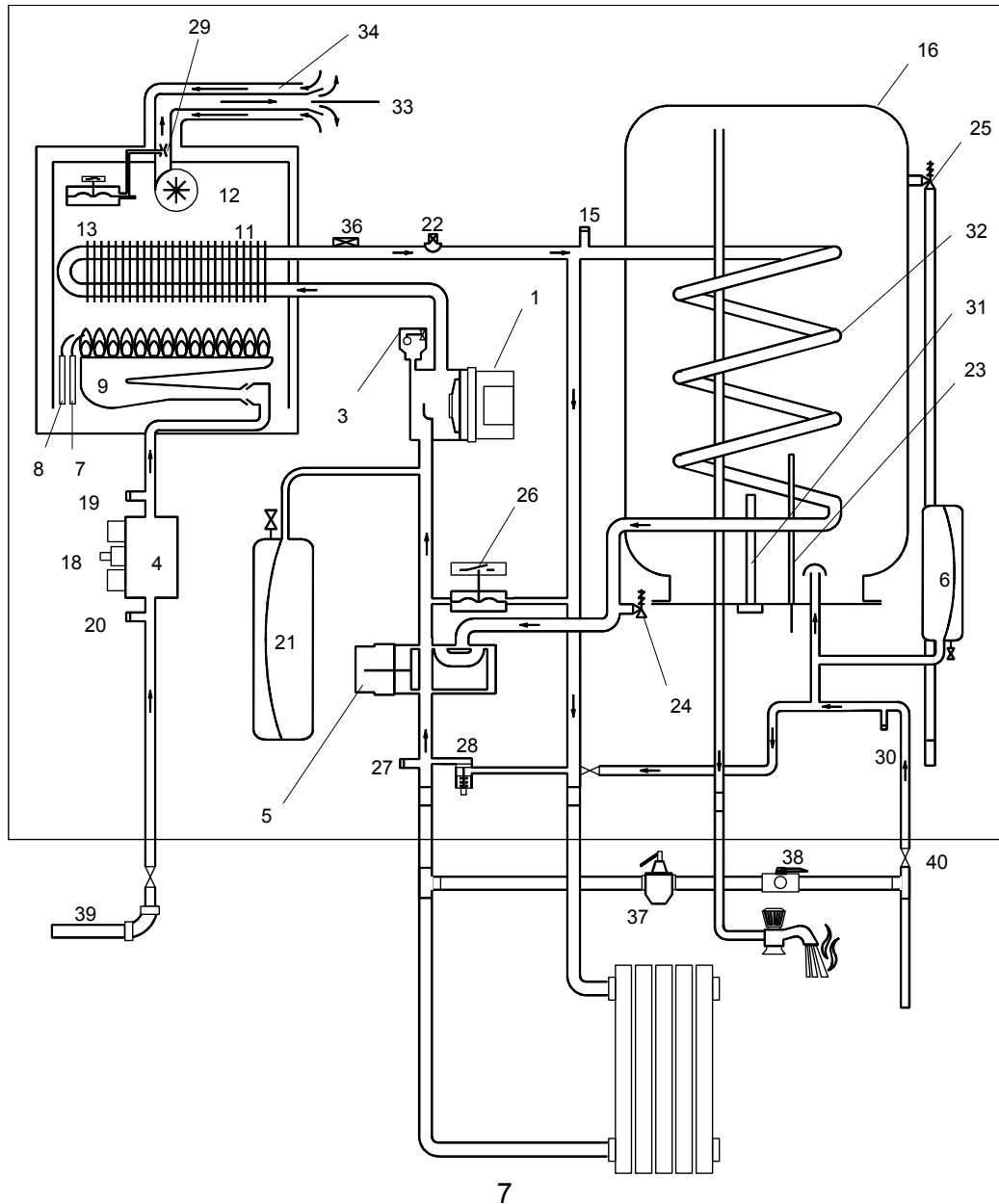
## Primary Components:



- 1 Pump
- 2 Pump vent plug
- 3 Automatic air purger valve
- 4 Modulation gas valve
- 5 Three-way diverter valve
- 6 D.h.w. expansion vessel
- 7 Flame-detecting electrode
- 8 Ignition electrodes
- 9 Burner
- 10 Combustion chamber
- 11 Primary heat exchanger
- 12 Fan
- 13 Air pressure switch
- 14 Air switch pres. Test points
- 15 Main circuit air breathe valve
- 16 D.h.w. storage tank
- 17 Safety thermostat
- 18 Modulation operator
- 19 Gas valve outlet pres. Test point
- 20 Gas valve inlet pres. Test point

- 21 Central heating expansion vessel
- 22 Central heating temp. Probe NTC
- 23 D.h.w. storage tank NTC
- 24 Central heating pressure relief valve
- 25 D.h.w. circuit pressure relief valve
- 26 Primary circuit flow switch
- 27 Main circuit drain cock
- 28 By-pass valve
- 29 Venturi device
- 30 Storage tank drain cock
- 31 Magnesium anode
- 32 Storage tank coil
- 33 Flue outlet pipe
- 34 Air Intake Pipe
- 35 Control panel
- 36 Safety thermostat probe
- 37 Pressure reducing automatic fill valve
- 38 Backflow preventer
- 39 Gas supply line cock
- 40 D.h.w. inlet cock

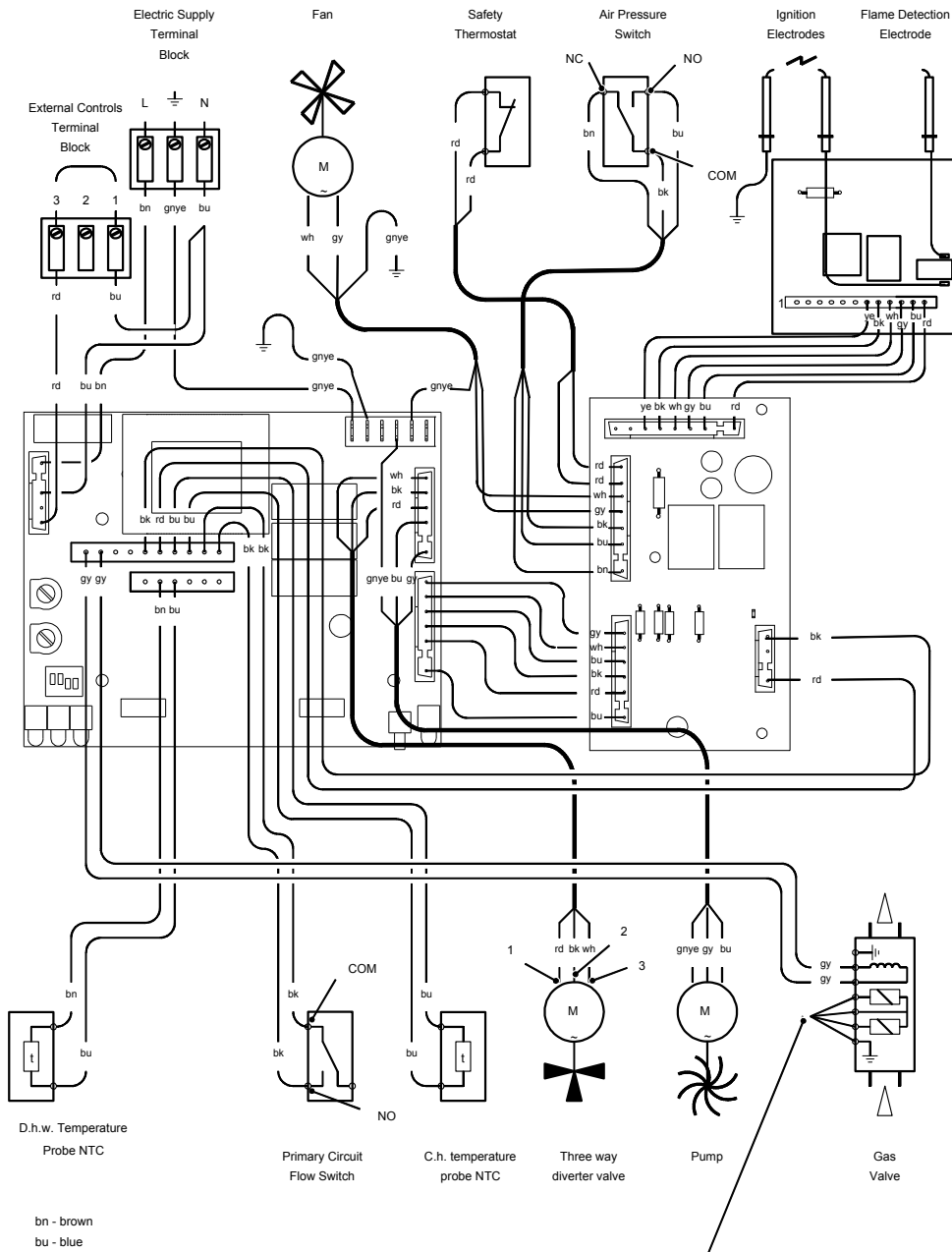
## 4. Internal Piping & Parts List



**Note:**

- Pressure Relief Valves (#24, #25) should be piped to a drain or to the floor as close as possible to a drain.
- This diagram is a graphical representation only and is not drawn to scale. Do not use for piping purposes.

# 5. Electric Diagrams



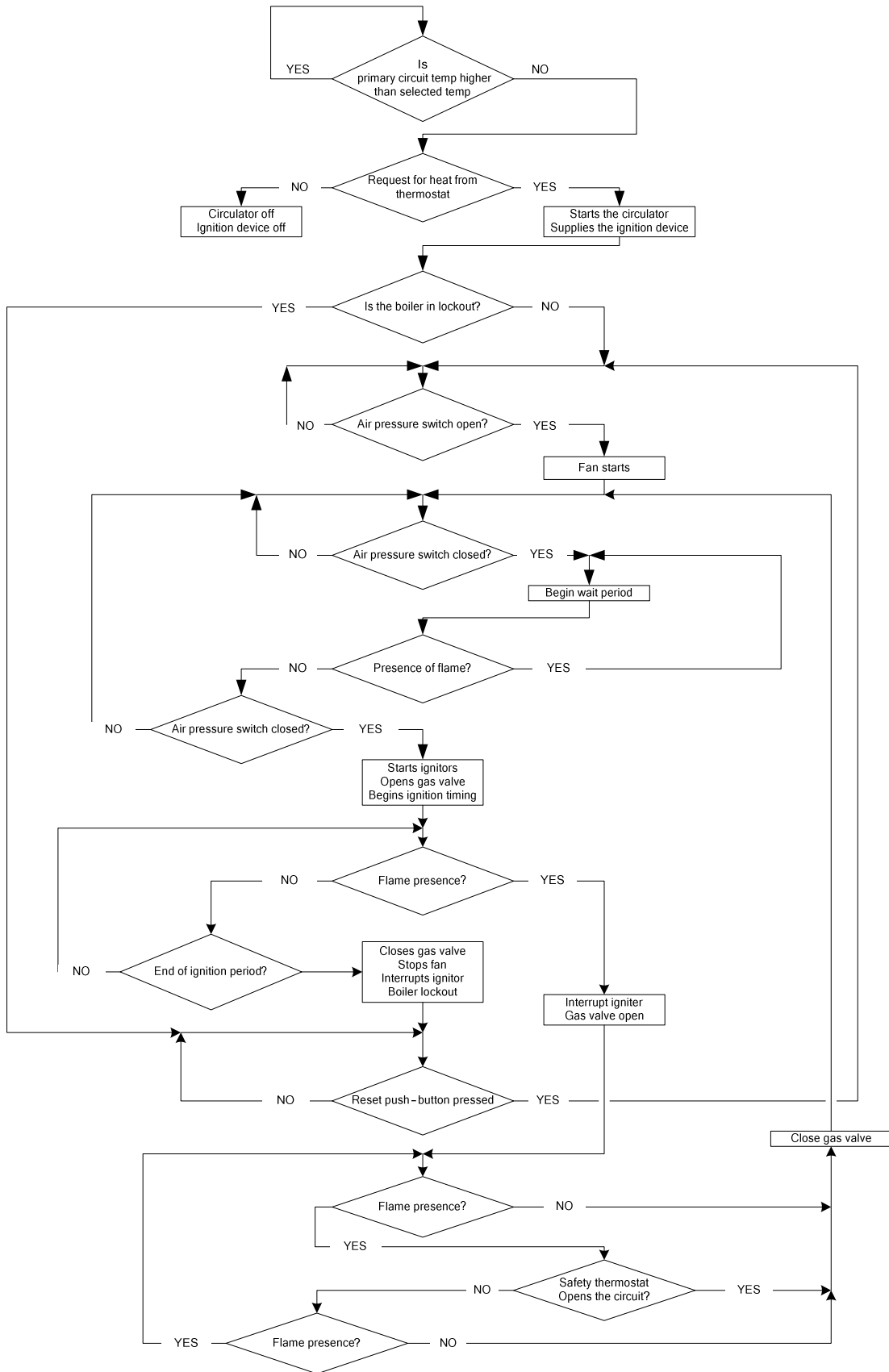
bn - brown  
 bu - blue  
 bk - black  
 wh - white  
 rd - red  
 gy - grey  
 ye - yellow  
 vt - violet  
 og - orange  
 gnye - green/yellow

\* ---> directly connected to the electronic ignition board

**Caution: Label all wires prior to disconnection when servicing controls. Wiring errors can cause improper and dangerous operation. Verify proper operation after servicing**



# 5.1 Sequence of Operation



# 6. Installation Location

The installation location chosen must:

- Comply with all clearances listed below.
- Provide suitable location for the exhaust and intake venting.
- Not be installed in an unheated space.
- Comply with all local codes and standards.

**Note:** Dimensions shown are minimums. Greater clearances will simplify installation and service.

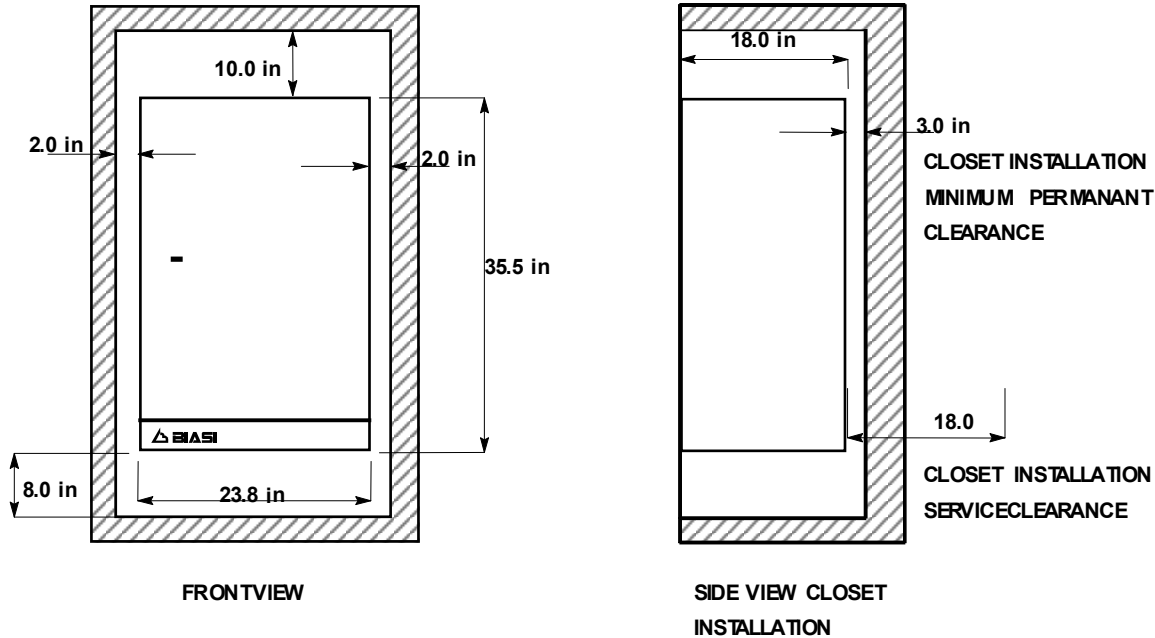
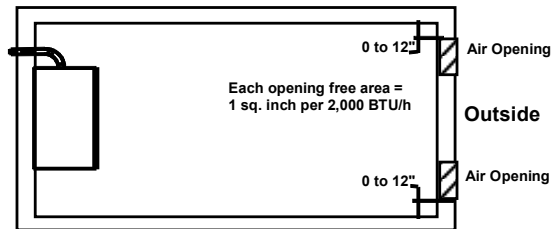


Figure 6.1

## WARNING: Do not install the boiler on carpeting

If the boiler is to be installed in an enclosed room with no fresh air intake, the room must have proper vent louvers installed. There should be two louvers, place each within 12" of the ceiling and floor respectively. Each vent will have a free area of 54 square inches.

**Note:** For boilers in an enclosed space it is recommended to install a CO detector in the boiler room.



## 7. Exhaust Pipe Location

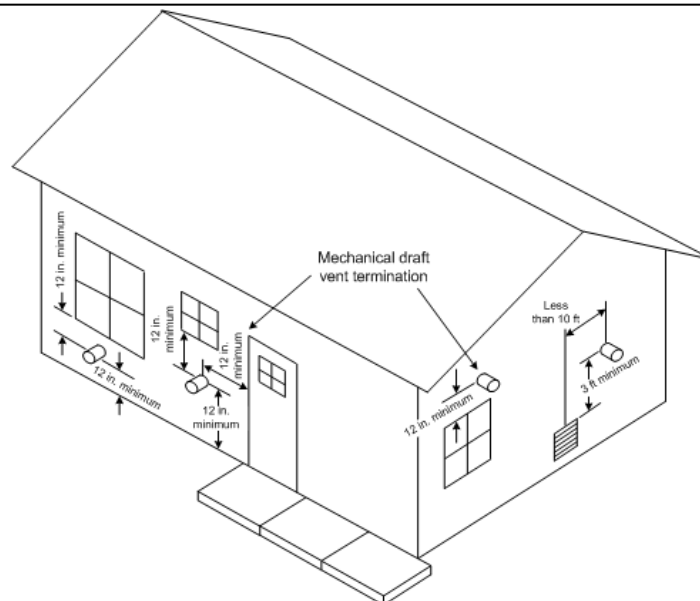
When choosing an installation location insure the exhaust and intake pipes comply with NFPA 54. The drawing on the next page illustrates the restrictions on exhaust locations.

### CAUTION

EXTERNAL VENT SURFACES ARE HOT.

IT IS RESPONSABILITY OF THE HOMEOWNER TO KEEP THE VENT TERMINAL CLEAR OF SNOW AND ICE

**NOTE: USE ONLY LISTED COMPONENTS SUPPLIED WITH THE BOILER. SURFACE DISCOLORATION OF THE BUILDING MAY OCCUR DUE TO IMPROPER INSTALLATION. QHT WILL NOT ACCEPT RESPONSIBILITY OR LIABILITY FOR SUCH DISCOLORATION.**



The **Exhaust Hood** must be installed on the leeward side of house and conform to the following guidelines:

1. The Vent hood shall not be less than 3 feet above any forced air inlet to the house.
2. The Vent hood shall not be less than 1 foot below, 1 foot horizontally, or 1 foot above any door, window or gravity inlet into any building.
3. The Vent hood shall not be less than 2 feet from an adjacent building.
4. The Vent hood shall be not less than 7 feet above grade when located adjacent to public walkway.
5. The Vent hood shall be located so that flue gasses are not directed to jeopardize people, overheat combustible structures, materials or enter buildings.
6. Minimum of 4 feet horizontal clearance from electric meters, gas meters, regulators and relief equipment.
7. **All joints in system are to be sealed to prevent leakage of products of combustion in the building.**
8. Avoid installing exhaust hood on the North, West, or the side of the house receiving the prevailing winds.
9. The vent should not be situated so that the flue gases are directed towards brickwork, siding, or other construction, in such a manner that may cause damage from heat or condensate from the flue gases

## 8. Mounting Bracket

After a suitable installation location is chosen, verify that the mounting wall is properly braced and strong enough to support the 300 pound weight of the unit when filled with water.

**NOTE: The boiler shall be installed such that the gas ignition system components are protected from water and liquids in general (dripping, spraying, rain, etc) during the appliance operation and service.**

Use the paper template provided with the boiler to determine the location of the mounting bracket. Securely mount the bracket to the wall using appropriate hardware for the particular wall construction.

### Mounting Steps:

1. Tape the paper template to the wall in the chosen location. Be sure to level the template.
2. Pre-drill two holes in the center of the "oval" slots on the mounting bracket, sized for the hardware being used.
3. Mount the bracket to the wall. Be sure to level the bracket by adjusting the screw in the vertical slot.
4. Pre-drill the remaining hole in the mounting bracket and secure the final screw.
5. Mark and drill the exhaust/intake pipe holes through the house. If you are using a coaxial pipe system, drill the hole marked A ( $\varnothing$  4") in the drawing below and on the paper template. If you are using a separate pipe system drill holes marked B and C ( $\varnothing$  3.25") shown below as well as on the paper template.
6. Remove paper template and hang boiler on bracket.

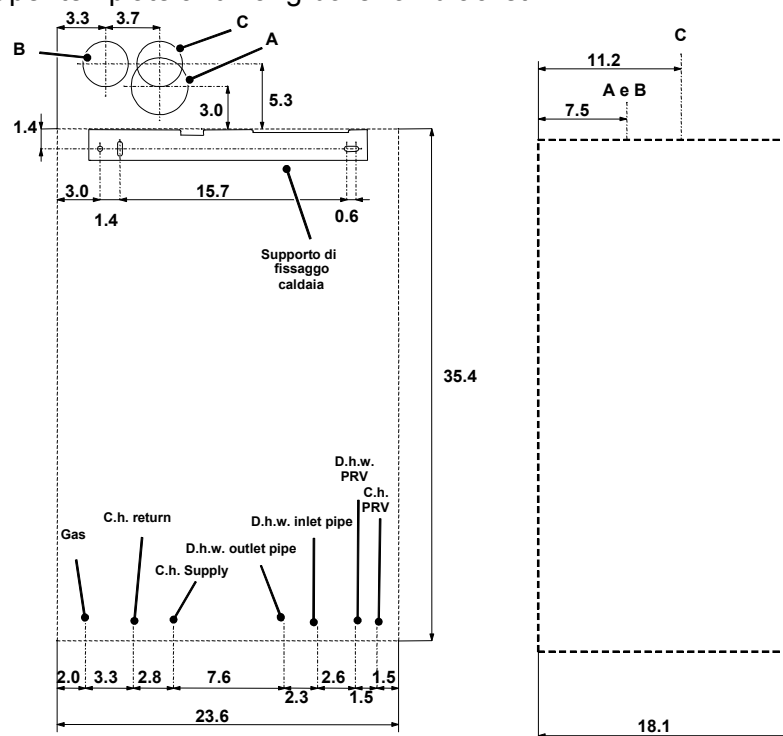


Figure 8.1

## 9. Venting

The Riva is a mechanical draft, side wall vented boiler. There are two side wall flue options available – separate and coaxial. The coaxial option has one configuration shown on the next page. The separate option has two possible configurations shown on the following pages. There is also a vertical roof venting option. Regardless of what vent kit is installed, they should all conform to the **Provisions for combustion and ventilation air in accordance with section 5.3, Air for Combustion and Ventilation, of the National Fuel Gas Code, ANSI Z223.1, or Sections 7.2, 7.3 or 7.4 of CAN/CGA B149, Installation Codes, or applicable provisions of the local building codes.**

If the Biasi Riva replaces a boiler that was attached to a common vent system, the common venting system is likely to be too large for proper venting of the appliances remaining connected to it. To ensure the remaining appliances will function properly, the test procedure below should be followed:

At the time of removal of an existing boiler, the following steps shall be followed with each appliance remaining connected to the common venting system placed in operation, while the other appliances remaining connected to the common venting system are not in operation.

- A. Seal any unused openings in the common venting system.
- B. Visually inspect the venting system for proper size and horizontal pitch and determine there is no blockage or restriction, leakage, corrosion and other deficiencies which could cause an unsafe condition.
- C. Insofar as is practical, close all building doors and windows and all doors between the space in which the appliances remaining connected to the common venting system are located and other spaces of the building. Turn on clothes dryers and any appliance not connected to the common venting system. Turn on any exhaust fans, such as range hoods and bathroom exhausts, so they will operate at maximum speed. Do not operate a summer exhaust fan. Close fireplace dampers.
- D. Place in operation the appliance being inspected. Follow the lighting instructions. Adjust thermostat so appliance will operate continuously.
- E. Test for spillage at the draft hood relief opening after 5 minutes of main burner operation. Use the flame of a match or candle, or smoke from a cigarette, cigar or pipe.
- F. After it has been determined that each appliance remaining connected to the common venting system properly vents when tested as outlined above, return doors, windows, exhaust fans, fireplace dampers and any other gas-burning appliance to their previous condition of use.” (g) Any improper operation of the common venting system should be corrected so the installation conforms with the *National Fuel Gas Code, ANSI Z223.1* and/or *CAN/CGA B149, Installation Codes*. When resizing any portion of the common venting system, the common venting system should be resized to approach the minimum size as determined using the appropriate tables in Part 11 of the *National Fuel Gas Code, ANSI Z223.1* and/or *CAN/CGA B149, Installation Codes*.

# 9. Venting Requirements for the State of Massachusetts

**The Commonwealth of Massachusetts requires compliance with regulation 248 CMR 4.00 and 5.00 for installation of through – the – wall vented gas appliances as follows:**

(a) For direct-vent appliances, mechanical-vent heating appliances or domestic hot water equipment, where the bottom of the vent terminal and the air intake is installed below four feet above grade the following requirements must be satisfied:

1. If there is not one already present, on each floor level where there are bedroom(s), a carbon monoxide detector and alarm shall be placed in the living area outside the bedroom(s). The carbon monoxide detector shall comply with NFPA 720 (2005 Edition).
2. A carbon monoxide detector shall be located in the room that houses the appliance or equipment and shall:
  - a. Be powered by the same electrical circuit as the appliance or equipment such that only one service switch services both the appliance and the carbon monoxide detector;
  - b. Have battery back-up power;
  - c. Meet ANSI/UL 2034 Standards and comply with NFPA 720 (2005 Edition);and
  - d. Have been approved and listed by a Nationally Recognized Testing Laboratory as recognized under 527 CMR.
3. A Product-approved vent terminal must be used, and if applicable, a Product-approved air intake must be used. Installation shall be in strict compliance with the manufacturer’s instructions. A copy of the installation instructions shall remain with the appliance or equipment at the completion of the installation.
4. A metal or plastic identification plate shall be mounted at the exterior of the building, four feet directly above the location of vent terminal. The plate shall be of sufficient size to be easily read from a distance of eight feet away, and read “Gas Vent Directly Below”.

(b) For direct-vent appliances, mechanical-vent heating appliances or domestic hot water equipment where the bottom of the vent terminal and the air intake is installed above four feet above grade the following requirements must be satisfied:

1. If there is not one already present, on each floor level where there are bedroom(s), a carbon monoxide detector and alarm shall be placed in the living area outside the bedroom(s). The carbon monoxide detector shall comply with NFPA 720 (2005 Edition).
2. A carbon monoxide detector shall:
  - a. Be located in the room that houses the appliance or equipment;
  - b. Be either hard-wired or battery powered or both; and
  - c. Shall comply with NFPA 720 (2005 Edition).
3. A Product-approved vent terminal must be used, and if applicable, a Product-approved air intake must be used. Installation shall be in strict compliance with the manufacturer’s instructions. A copy of the installation instructions shall remain with the appliance or equipment at the completion of the installation.

## 9. Venting Cont.

The Riva is a mechanical draft, side wall vented boiler. There are two flue options available - separate and coaxial. The coaxial option has one configuration shown on the next page. The separate option has two possible configurations shown on the following pages.

### 9.1 Restrictor Sizing:

Each exhaust option is shipped standard with 3 feet of exhaust pipe, 3 feet of intake air pipe. There is also a restrictor kit in which there are some restrictors that must be placed in exhaust breach of fan on the top of the boiler (Fig. 9.1) according to the flue configuration used.

If additional flue piping is need for a particular application, it can be ordered separately in 3 feet increments. Depending on the final flue pipe length, an alternative restrictor may be required. Refer to the tables 9.1 for proper restrictor ring sizing



Figura 9.1

<b>Coaxial 2.5/4.0</b>	<b>Restrictor Size</b>
From 1.65 to 3.30 (ft)	41
From 3.30 to 8.86 (ft)	44
<b>Separate 3.25/3.25</b>	<b>Restrictor Size</b>
For 1.65 and 1.65 (ft. in +out)	38
From 3.30 to 39.40 (ft in+out)	41

Table 9.1

### 9.2 Fitting the flue system:

In general, it has to be taken in consideration that the horizontal sections of the flue pipe must have a horizontal sloping not less than 1.5 degree (0.3 in per ft) away from the boiler. In the standard horizontal flue kit the flue pipe is angled within the air duct therefore the air duct must be horizontally installed. If one or more extensions have to be used they must be adequately supported so that there is no sag in the flue pipe and a minimum fall of 1.5 degree (0.3 in per ft) over the whole length away from the boiler is ensured.

## 9. Venting Cont.

### 9.3 Choice of flue:

The following flue kits are available for connecting to the boiler:

#### A Standard coaxial horizontal flue kit (Exhaust & intake outside)

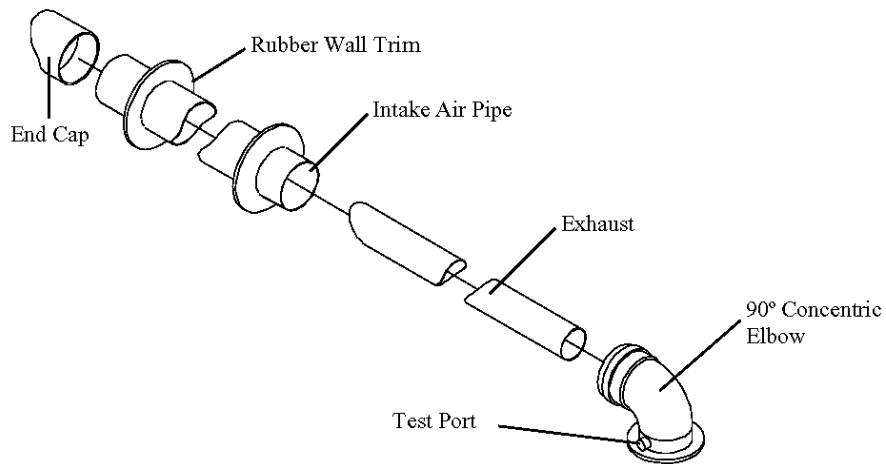


Figure 9.2 (Coaxial 2.5/4.0 inches – nominal length 3.3 ft)

It can be fitted to allow discharge to the rear or either side of the boiler via the flanged boiler adapter elbow. Minimum length required is 1 ft. Maximum equivalent length of 13 ft can be achieved utilising extensions. This flue system can only be used to discharge horizontally; **it is not designed to enable termination in the vertical plane.**

#### **Installation:**

- Drill hole A (on the wall template) through the outside wall that is less than 18" thick.
- Cut the pipes as necessary so that a no more than 6" protrudes from the house.
- Slide the intake and exhaust pipes through the hole.
- Slide one rubber wall trim piece on the pipe from inside and one from outside.
- Connect exhaust (inner) pipe to concentric elbow.
- Connect intake (outer) pipe to concentric elbow.
- Secure elbow to boiler using gasket and four screws provided.
- Secure end cap on the intake pipe outside the house.



## 9. Venting Cont.

### B Standard separate horizontal flue kit (Exhaust & intake outside)

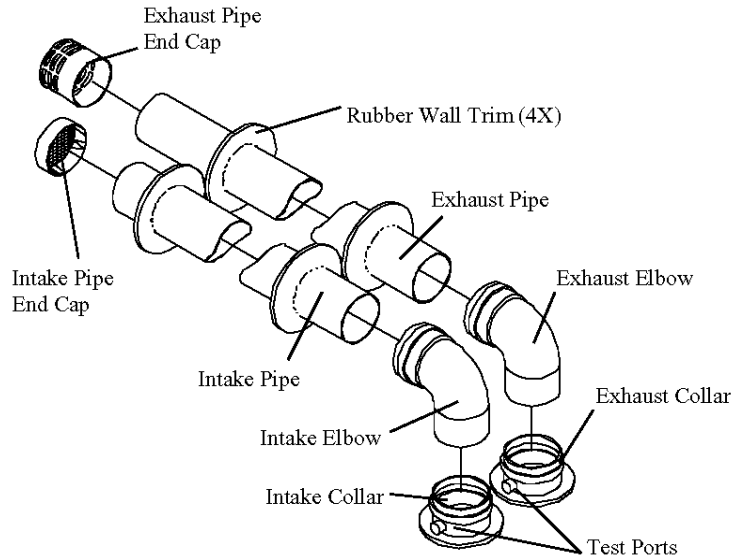


Figure 9.3 (Twin pipe  $\phi$  3.15 in)

Various twin (split) pipes kits and optional accessories (elbows) are available to assist in the termination of the flue where the boiler is installed in a location remote to an outside wall. These kits allow for separation of the air supply pipe from the pipe that discharges the exhaust gasses. Consequently it is possible to extend the flue system to a greater distance than that provided by the standard coaxial horizontal flue.

If either an additional 45° or 90° accessory elbow is used then the maximum permissible length of either pipe must be reduced by 3.0 ft or 5.4 ft respectively. The sum of the lengths of the two horizontal parts must be less than 50 ft.

#### **Installation:**

- Drill holes B & C (on the wall template) through the outside wall that is less than 18" thick.
- Cut the pipes as necessary so that no more than 6" of intake pipe protrudes from the house and the exhaust pipe is a minimum of 4 inches longer than the intake pipe.
- Slide the Intake and exhaust pipes through the respective holes.
- Slide one rubber wall trim piece on each pipe from inside and one from outside.
- Attach each collar to the boiler with the gasket and screws provided.
- Insert each elbow into its corresponding collar.
- Connect each pipe to its corresponding elbow (as shown in the diagram).
- Secure end cap on the intake and exhaust pipe outside the house.

## 9. Venting Cont.

### C Alternative separate configuration (Exhaust outside & intake inside)

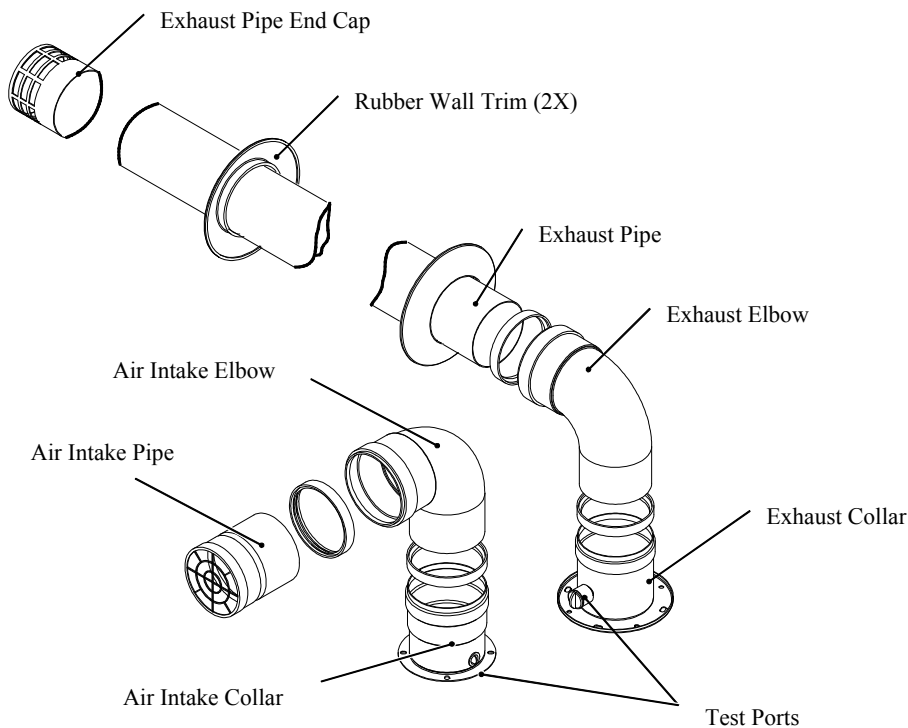


Figure 9.4 (Twin pipe  $\Phi$  3.25 in)

This configuration of the twin pipe kit allows discharging the exhaust gasses outside. The air supply is obtained with an air intake pipe. This allows taking air from the room where the boiler is installed.

If either an additional 45° or 90° accessory elbow is used then the maximum permissible length of either pipe must be reduced by 3.0 ft or 5.4 ft respectively.

**Note: When utilizing this option, see page 14 for room ventilation details.**

#### **Installation:**

- Drill holes B & C (on the wall template) through the outside wall that is less than 18" thick.
- Cut the pipe as necessary so that no more than 6" protrudes from the house.
- Slide the exhaust pipe through the hole.
- Slide one rubber wall trim piece on the pipe from inside and one from outside.
- Attach each collar to the boiler with the gasket and screws provided.
- Insert each elbow into its corresponding collar.
- Connect each pipe to its corresponding elbow.

## 9. Venting Cont.

### D Alternative separate kit (Exhaust outside & intake inside)

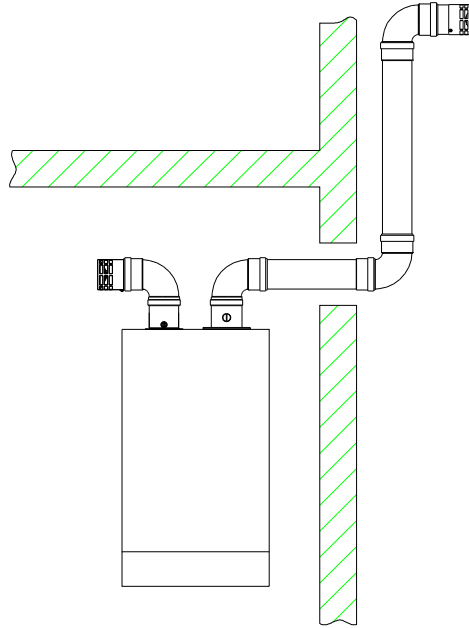


Figure 9.6 (Twin Pipe  $\Phi$  3.25 in)

This configuration of the twin pipe kit allows discharging the exhaust gasses outside. The air supply is obtained with an air intake pipe. This allows taking air from the room where the boiler is installed. If either an additional 45° or 90° accessory elbow is used then the maximum permissible length of either pipe must be reduced by 3.0 ft or 5.4 ft respectively.

**Note: When utilizing this option, see page 14 for room ventilation details.**

#### **Installation:**

- Drill hole C (on the wall template) through the outside wall that is less than 18" thick.
- Cut the pipe as necessary so that no more than 6" protrudes from the house.
- Slide the exhaust pipe through the hole.
- Slide one rubber wall trim piece on the pipe from inside and one from outside.
- Attach each collar to the boiler with the gasket and screws provided.
- Insert each elbow into its corresponding collar.
- Connect each pipe to its corresponding elbow.

## 9. Venting Cont.

### E Alternative separate kit (Exhaust & intake outside)

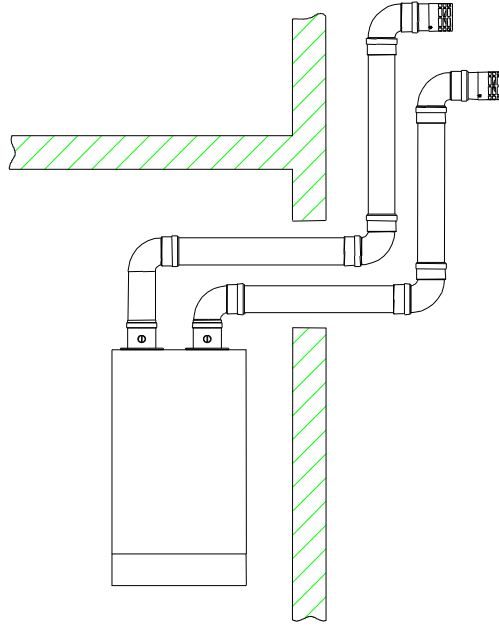


Figure 9.7 (Twin Pipe  $\Phi$  3.25 in)

These kits allow for separation of the air supply pipe from the pipe that discharges the exhaust gasses. Consequently it is possible to extend the flue system to a greater distance than that provided by the standard coaxial horizontal flue.

If either an additional 45° or 90° accessory elbow is used then the maximum permissible length of either pipe must be reduced by 3.0 ft or 5.4 ft respectively. The sum of the lengths of the two horizontal parts must be less than 49. ft.

#### **Installation:**

- Drill holes B & C (on the wall template) through the outside wall that is less than 18" thick.
- Cut the pipes as necessary so that no more than 6" of intake pipe protrudes from the house and the exhaust pipe is a minimum of 4 inches longer than the intake pipe.
- Slide the Intake and exhaust pipes through the respective holes.
- Slide one rubber wall trim piece on each pipe from inside and one from outside.
- Attach each collar to the boiler with the gasket and screws provided.
- Insert each elbow into its corresponding collar.
- Connect each pipe to its corresponding elbow (as shown in the diagram).
- Secure end cap on the intake and exhaust pipe outside the house.

## 9. Venting Cont.

### F Standard Vertical-roof kit (Exhaust & intake outside)

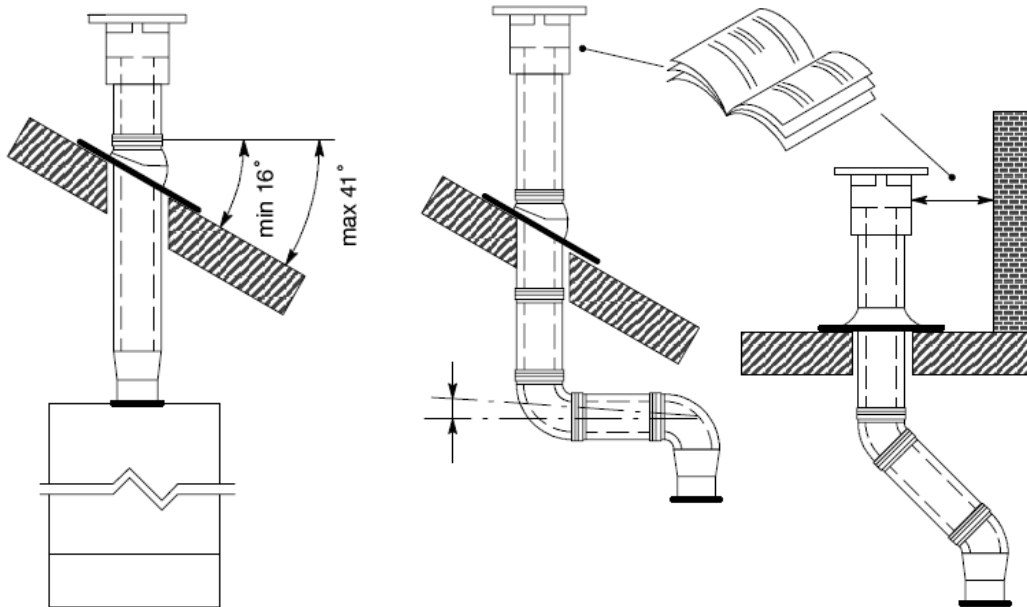


Figure 9.8 (vertical pipe  $\Phi$  3.1 /  $\Phi$  4.9 in)

This kit allows vertical termination of the flue pipe through the roof. The kit is 1.2 min length. Extension pieces (Co-axial) are also available which allows the flue system to be extended to a total overall maximum permissible length of 28 feet.

Optional 45° and 90° elbows can be used to offset the flue route.

Each additional elbow reduces the overall acceptable length of the flue system as follows:

45° reduce length by 1.6 ft.

90° reduce length by 3.2 ft.

#### **Installation:**

- Drill hole through the outside roof.
- Cut the pipe as necessary.
- Slide the intake and exhaust pipes through the hole.
- Slide one rubber wall trim piece on the pipe from inside and one from outside.
- Connect exhaust (inner) pipe to concentric elbow.
- Connect intake (outer) pipe to concentric elbow.
- Secure elbow to boiler using gasket and four screws provided.
- Secure end cap on the intake pipe outside the house.

# 10. Pipe Connections

The Riva boiler is supplied with a 3/4" stainless steel gas pipe (A in figure 10.1), 4 - 3/4" copper pipe (C,D,J,K in figure 10.1), 2 - 1/2" copper pipe (E,H in figure 10.1), located in a plastic bag in the boiler package.

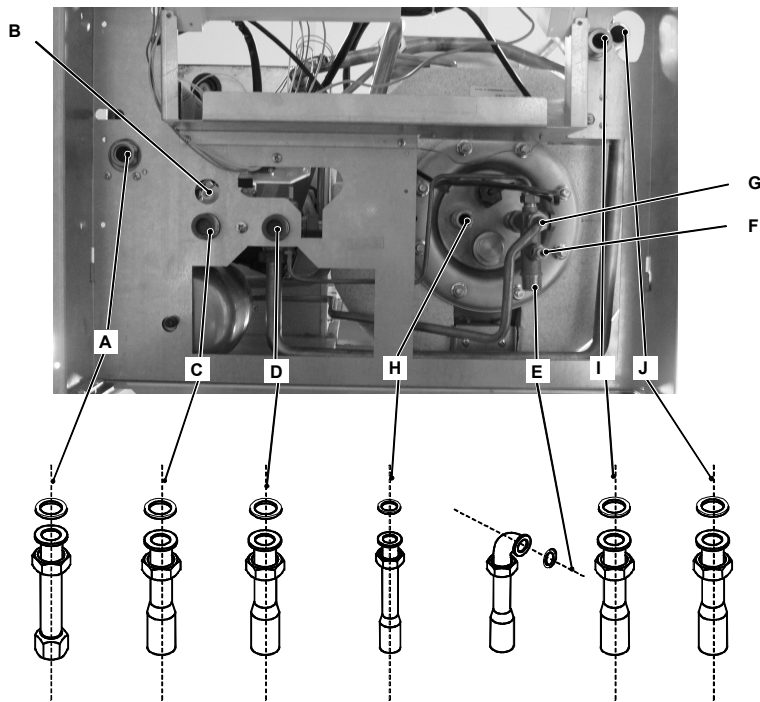


Figure 10.1

- A) Stainless steel gas pipe
- B) Main circuit drain cock
- C) C.h. return copper pipe
- D) C.h. supply copper pipe
- E) D.h.w. inlet copper pipe
- F) D.h.w. drain cock
- G) D.h.w. expansion vessel pipe
- H) D.h.w. outlet copper pipe
- I) D.h.w. PRV discharge copper pipe
- J) C.h. PRV discharge copper pipe

## Installation:

- Remove the protective caps off boiler connections (Figure 10.1).
- Thoroughly clean the connections.
- Attach the supplied components to the boiler connections (see Figures 10.1). Be sure to use the proper gaskets for the pipe connections.
- Before connecting the boiler to the heating system piping, review the suggested piping diagrams in Section 4 (page 12).
- If the c.h. system is above the boiler level, it is advisable to install c.h. cocks close to the boiler for servicing operation

# 11. Gas Pipe Connections

Gas supply piping is to be sized and installed properly in order to provide a supply of gas sufficient to meet the maximum demand without undue loss of pressure between the meter and the boiler. Consult with the **National Fuel Gas Code ANSI Z223.1** for proper sizing of gas piping for various lengths and diameters.

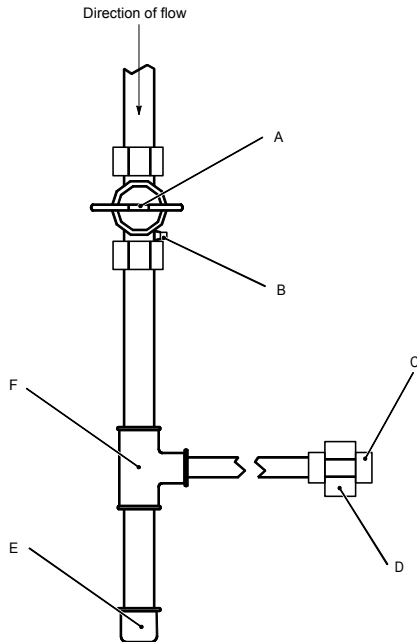


Figure 11.1

- A) Manual T-handle Shutoff Valve
- B) Pressure Gauge Port
- C) Flexible Gas Line to Burner
- D) Male Union  $\frac{3}{4}$ " NPT
- E) Pipe Cap
- F) 1" X 1" X  $\frac{3}{4}$ " TEE

**Note:** Height of valve above ground level to conform to local codes, if any. Massachusetts state code requires gas shut off to be a tee handled gas cock.

Locate a drop pipe adjacent to, but not in front of the boiler. Locate a tee (F) in the drop pipe at the same elevation as the gas inlet connection to the boiler. Extend the drop line with a nipple towards the floor and cap to form a sediment trap (E). Install a shut off valve (A) before the tee with sediment trap and a union after the tee before the combination gas valve (D). When installing the boiler, make sure a pipe compound resistant to the action of liquefied petroleum is used. Check piping for leaks. Always check leaks with a water and soap solution. The boiler and its gas connection must be leak tested before placing the boiler in operation. The boiler and its individual shutoff valve must be disconnected from the gas supply piping system during any pressure testing of that system at test pressures in excess of 1/2 psi (3.5 kPa).

## WARNINGS

DO NOT USE A FLAME FOR CHECKING GAS LEAKS

# 12. Electrical Connections/Wiring

## 12.1 Power Connection:

### Removing Side Panel:

- Remove screws B

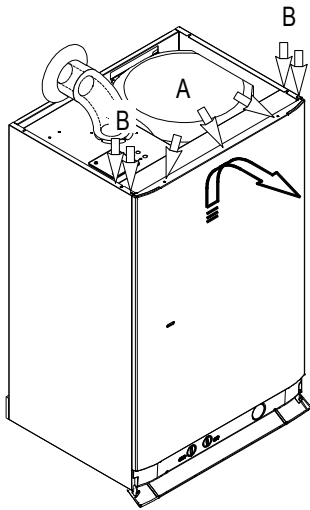


Figure 12.1

### Removing Front Panel:

- Remove the front panel by removing screws A and sliding the front panel up and away from the boiler

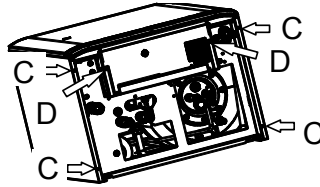


Figure 12.2

### Removing Service Panel:

- Remove screws C and D.

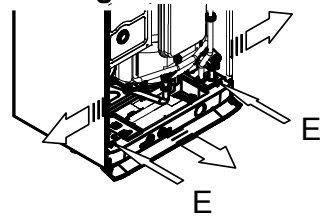


Figure 12.3

- Move the lower part of the side panels (figure 12.3) and remove screws E.
- Pull the control panel. When completely pulled out, the panel can rotate 45° downward.

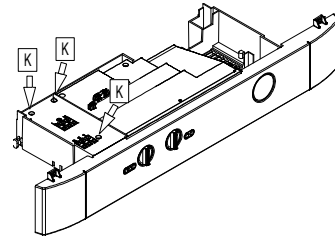


Figure 12.4

- Loosen screws K and remove the service panel (Fig. 12.4).

**For the electrical connection to the boiler use electric wires which conform to local regulations. The boiler, when installed, must be electrically bonded to ground in accordance with the requirements of the authority having jurisdiction or, in the absence of such requirements, with the *National Electrical Code, ANSI/NFPA 70* and/or the *Canadian Electrical Code Part I, CSA C22.1, Electrical Code*.**

## 12.2 Connection to the electricity supply:

- Connect the electrical supply cable coming from the fused spur isolation switch to the power supply terminal block of the boiler (as shown in figure 12.5) keeping the same connections for the live wire and the neutral wire

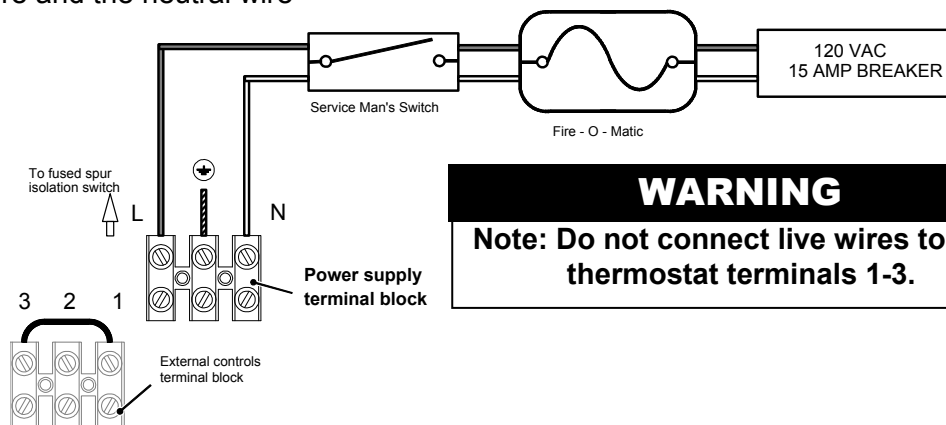


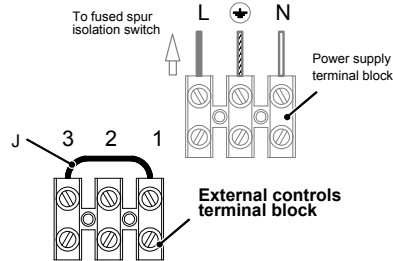
Figure 12.5

- Connect the earth wire (yellow/green). Boiler must be wired directly to earth ground on breaker panel.



# 12. Electrical Connections/Wiring Cont.

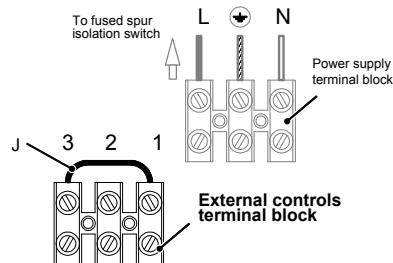
- The room thermostat must be connected to the terminal block situated next to the control panel.



**120 VAC Control Terminal Block**

Figure 12.6

- The relay control must be connected to the terminal block situated next to the control panel.



**120 VAC Control Terminal Block**

Figure 12.8

## 12.3 Room Thermostat Connection:

- Any external controls and connection lines must be rated at 120 VAC but under no circumstances should external live voltage be connected to the room thermostat link on the boiler.
- When connecting any type of external control, the jumper J in Fig. 12.6 must be removed.
- The room thermostat must be connected to the "Control Terminal Block" (Fig 12.7).

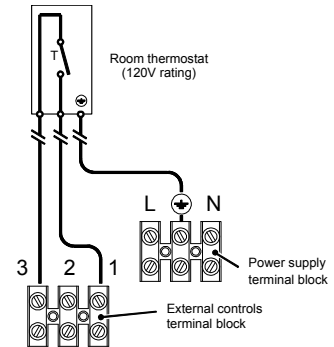


Figure 12.7

- Connect the room thermostat between terminals 1 and 3 as shown in Fig. 12.7.

## 12.4 Relay Panel Connection:

- When connecting any type of relay control, the jumper J in Fig. 12.8 must be removed.
- Connect the dry contact switch of the relay panel to the 120 VAC control terminal block (Fig 12.9).

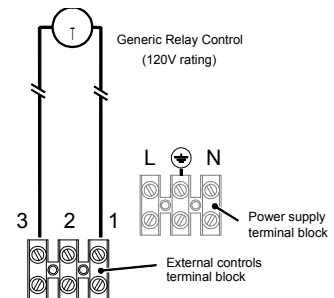


Figure 12.9

- Connect the dry contact switch to terminals 1 and 3 shown in Fig. 12.9.

# 12. Electrical Connections/Wiring Cont.

- The zone valve micro switch must be connected to the terminal block situated next to the control panel.

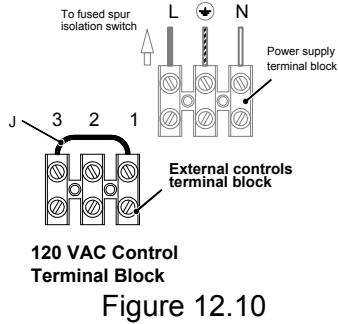


Figure 12.10

## 12.5 Zone Valve Micro Switch Connection:

- When connecting the zone valve switch, the jumper J in Fig. 12.10 must be removed.
- Connect the micro switch of the zone valve to terminals 1 and 3 as shown in figure 12.11
- Connect the zone valve switch to the room thermostat as shown in figure 12.11

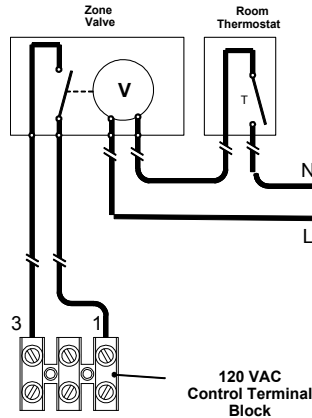


Figure 12.11

## 12.6 Finishing

- Route the electrical supply cord and the external control cord as illustrated in Fig. 12.12.

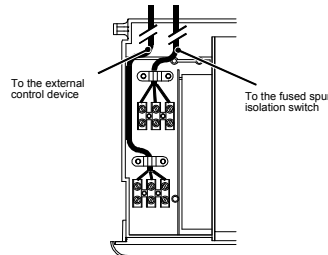


Figure 12.12

- Lock the cords in place with the flexible cord clamps.
- Replace the control panel reversing the steps on page 23.

# 13. Circulator Sizing

## 13.1 Circulator capacity as a function of flow rate:

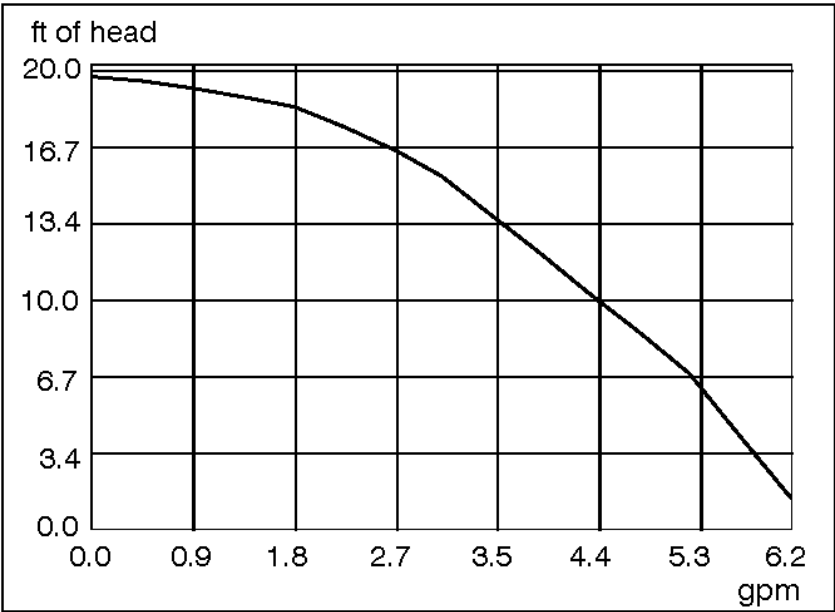


Figura 13.1

The hydraulic specification in Fig 13.1 represents the pressure (available head for the central heating system) as a function of the flow rate. The pressure loss due to the internal piping in the boiler has already been subtracted.

When determining proper piping of the heating system, verify that the internal boiler circulator will overcome the head loss of the system at the designed flow rate using the graph above. If the internal circulator is **adequate**, direct system piping can be utilized. See section 4 page 12 for suggested direct supply/return piping. If the internal circulator is **inadequate**, a secondary circulator must be utilized. See sections 14 for suggested primary/secondary piping.

## 13.2 Expansion vessels:

The height difference between the C.h. PRV (24 on page 11) and the highest point in the system may be 23 ft at most. For greater differences, increase the pre-load pressure in the C.h. expansion vessel (21 on page 11) and the system when cold, by 0.1 bar for additional 3.3 ft. For systems with volumes greater than 38.5 gallons (154l), an additional expansion vessel must be provided.

The d.h.w. expansion vessel (25 on page 11) allows the expansion of the water inside the storage tank (16 on page 11) and also absorbs the water hammer inside the pipe.

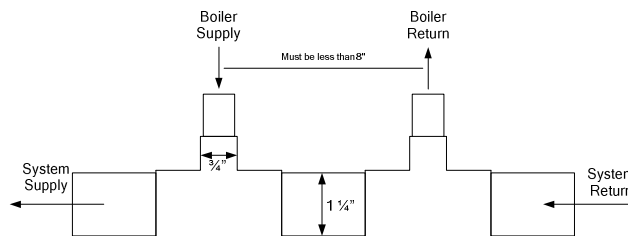
# 14. Piping

All external piping components are to be supplied by the installer. It is very important to use a Primary Secondary piping scheme when an external circulator will be used. Also, when the boiler is piped in a primary secondary manner, it is necessary to use the central heating flow restrictor supplied with the boiler. The flow restrictor ensures that there will be enough back pressure to make the central heating flow switch in a low head loss piping system like primary secondary.

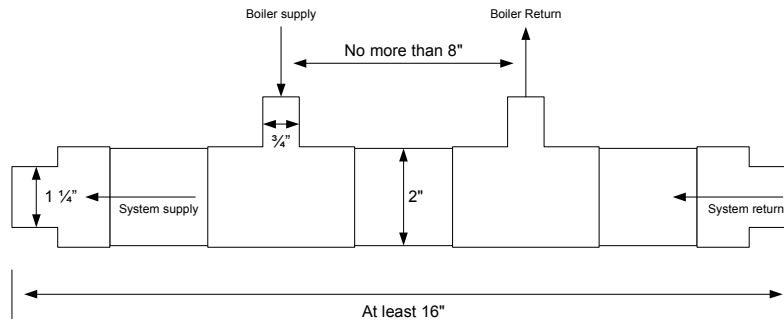
Installation of flow restrictor: The flow restrictor is installed inside the pipe tail that attaches to the boiler. Place the flow restrictor into the gasket for the central heating supply pipe tail. Place the gasket on the pipe tail so the flow restrictor seats into the pipe tail. Then install the pipe tail onto the boiler.



There are two methods for accomplishing a Primary Secondary piping system. The first is to use two closely spaced tees for the boiler supply and return. An example is shown below in Figure 14.1. The run legs should be sized so that there is no excessive head loss on the external circulator that is installed. In most circumstances 1 ¼" piping will be the best choice. When the boiler is piped in this way, the external circulator will not have any hydraulic effect on the Riva boiler. This is essential to ensure that the flow switch will operate properly.



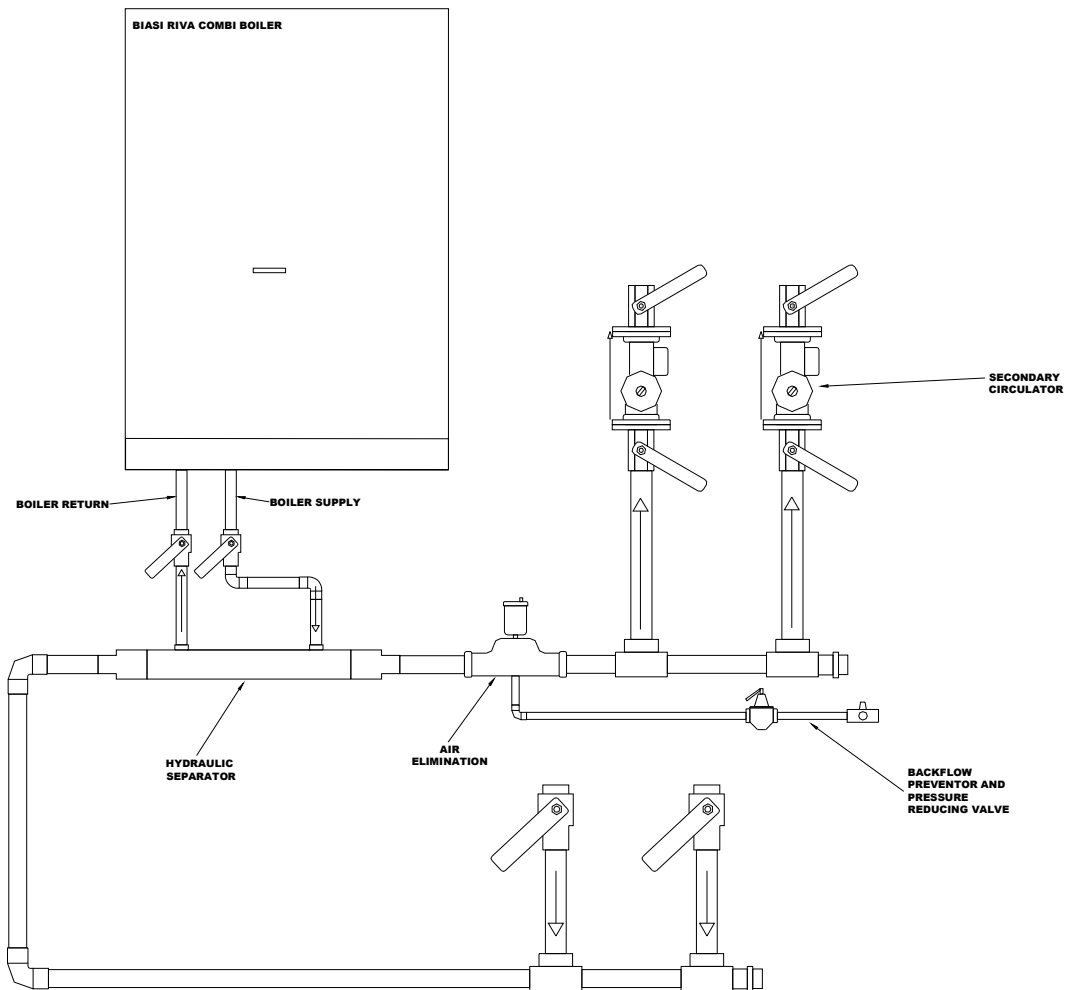
The second method is a hydraulic separator. Hydraulic separators are available commercially; however you can also construct your own. An example of a hydraulic separator is given in Figure 14.2. It is important that the separator be at least 2" in size to ensure proper performance.



# 14. Piping

## 14.1 Primary – Secondary Piping:

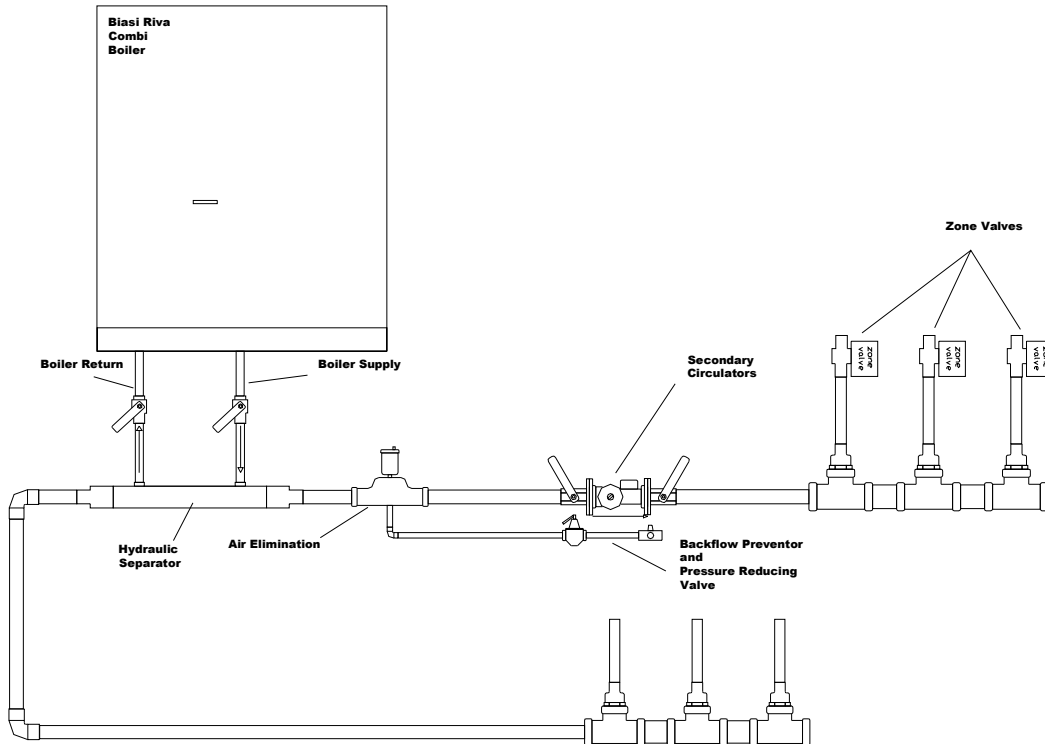
All external piping components are to be supplied by the installer.  
It is very important to use a hydraulic separator before secondary circulators.



# 14. Piping Cont.

## 14.2 Primary – Secondary Piping with Zone Valves:

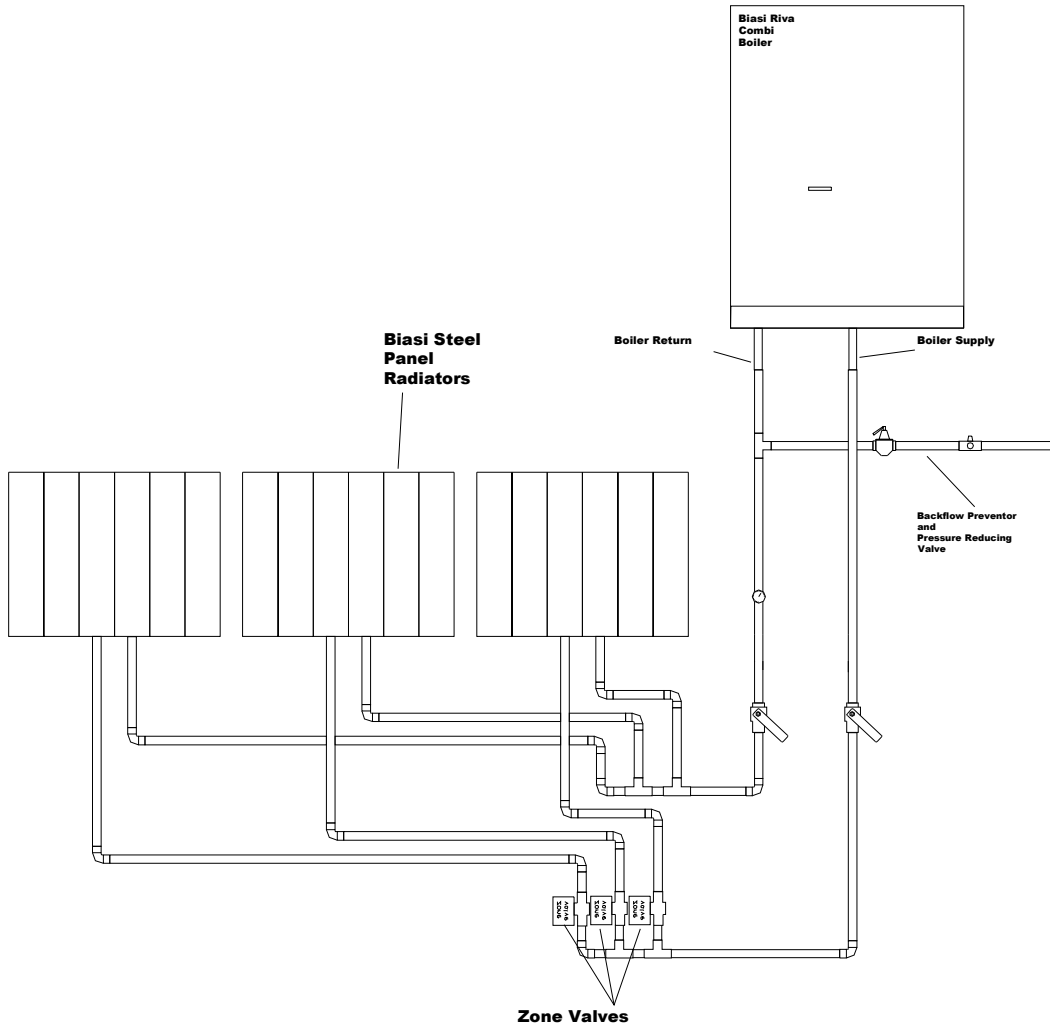
All external piping components are to be supplied by the installer.  
It is very important to use a hydraulic separator before secondary circulators.



# 14. Piping Cont.

## 14.3 Manifold Piping with Zone Valves or Circulators (shown conn. to radiators):

All external piping components are to be supplied by the installer.



# 15. Commissioning

## 15.1 Filling the d.h.w. System:

- Close all hot water draw-off taps.
- Gradually open the d.h.w. cold water inlet cock (40 on Sections 4 and 14) and fill the d.h.w. storage tank.
- Slowly open each draw-off tap and close it only when clear water, free of bubbles, flows out.

**Note:** The d.h.w. cold water inlet cock (40 on sections 4 and 14) is not given with the boiler but it is necessary for the isolation of the boiler from the system.

## 15.2 Initial filling of the system:

- Remove the front panel of the case.
- Unscrew the cap on the automatic air purger valve 3 (Fig 15.1) one full turn and leave open permanently.

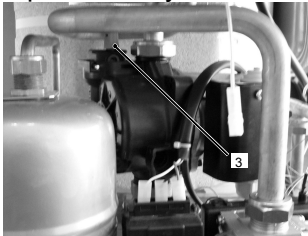


Figure 15.1

- Loosen the storage tank air purge valve (15 in Fig. 15.2).

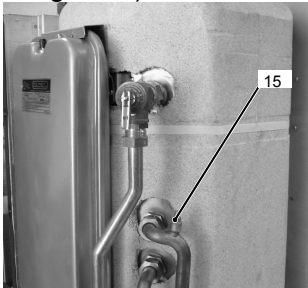


Figure 15.2

- Open the installer supplied automatic fill

valve between the cold water inlet and Central Heating System (See 37 on piping diagrams in previous section).

- Open each radiator air release tap starting with the lower point and close it only when clear water, free of bubbles, flows out.
- Close the storage tank air purge valve (15 in Fig. 15.2) when water flows out.

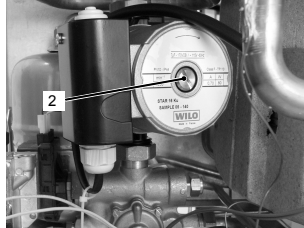


Figure 15.3

- Purge the air from the pump by unscrewing the pump plug 2 (Fig. 15.3); release the pump by turning the rotor in the direction indicated by the arrow

on the information plate.

- Close the pump plug.
- Continue filling the system. The actual reading should ideally be 1.3 bar (19 psi) and not less than 0.3 bar (4.3 psi).
- Close all air release valves on the c.h. system.
- Inspect the boiler and the system for water soundness and remedy any leaks discovered.
- Cold flush the system to remove any loose particles and any system debris before starting the boiler for the first time.
- Reassemble the front panel of the case.
- Return fill valve to automatic positio



# 15. Commissioning Cont.

## 15.3 Lighting the boiler:

Note: If external controls are fitted (e.g. room thermostat) ensure they "call for heat".

### WARNING

THE BOILER AND ITS GAS CONNECTION MUST BE LEAK TESTED BEFORE THE BOILER IS PLACED IN OPERATION.

- Turn on the electricity supply to the boiler, switching on the circuit breaker switch. The appliance operation light A will flash every 4 seconds.
- Turn the function selector B as in Fig. 15.4 The appliance operation light A will flash every 2 seconds.

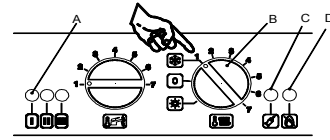


Figure 15.4

The boiler will now go through an ignition sequence and the burner will light.

If during the ignition attempt period the boiler fails to light, the full sequence control p.c.b. will go to lockout and the lock-out signal lamp D will appear. To reset the boiler turn the knob B (figure 15.4) on the 0 position and then press and release the boiler reset button C (Fig. 15.4)

## 15.4 Checking the gas pressure at the burner:

**This boiler has been tested to the highest quality control standards. The maximum and minimum gas pressures are already set during this quality control process however the checking procedure must be followed to ensure maximum operating efficiency from the boiler.**

- Remove the front panel of the case.
- Loosen the internal screw 19 (Figure 15.5) on the Outlet Pressure Test Point of the Gas Valve and connect a pressure gauge using a suitable hose.
- Set the d.h.w. and c.h. temperature control knobs to their maximum position. If external controls are fitted (e.g. room thermostat) ensure they "call for heat".
- Switch on the boiler and open at least one hot water tap fully.
- Check the maximum gas pressure and compare the value on the gauge with the value indicated in the Section 2 on page 10 (gas pressures at the burner).
- Check the maximum gas flow at the gas meter and compare the value indicated in the section 2 on page 10 (gas flow rate).
- Switch off the boiler.
- Disconnect the gas modulator coil by removing the electrical connector E (Figure 15.5).
- Switch on the boiler.
- Check the minimum gas pressure and compare the value on the gauge with the value indicated in the Section 2 on page 10 (gas pressures at the burner).
- Switch off the boiler and re-connect the electrical connector E to the modulator coil.
- Switch on the boiler.
- Check that the boiler lights up uniformly.
- Switch off the boiler, turn off the hot water taps and disconnect the pressure gauge.

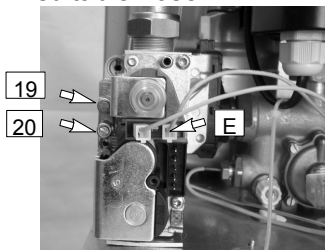


Figure 15.5

**Important: after the checks all of the test points must be sealed.**

# 15. Commissioning Cont.

- Remove the front panel of the case.
- Open the gas valve inlet pressure test point (20 in Fig. 15.6) at the valve input, connect a suitable pressure gauge and check the gas pressure of the supply network.
- Remove the gauge and close the pressure test point 20.
- Open the gas valve outlet pressure test point (19 in Fig. 15.6) and connect the gauge.

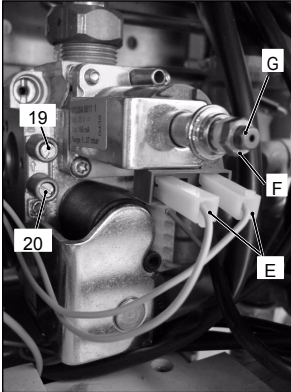


Figure 15.6

## 15.5 Adjustment of the gas pressure:

- Remove the protection cap I (Fig. 15.7) from the mechanical pressure adjustment components levering with a flat screwdriver in the slots H.
- Start the boiler at its maximum power.

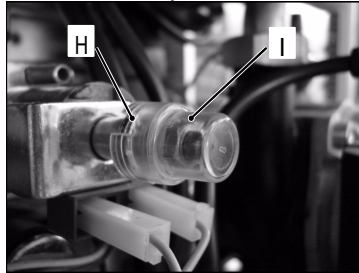


Figure 15.7

- Operate the boiler in d.h.w. mode or ensure that the boiler is not range rated if the test is carried out in c.h. mode.
  - Rotate the maximum gas pressure adjustment (F in Fig. 15.6) until you obtain the required pressure (by rotating clockwise the pressure increases).
- Turn the boiler off and disconnect one of the two connectors (E in Fig. 15.6).
  - Start the boiler and rotate the minimum gas pressure adjustment (G in Fig. 15.6) until you obtain the required pressure (by rotating clockwise the pressure increases).
  - Turn the boiler off and re-connect the wire to the modulating operator.
  - Start the boiler and check again the maximum gas pressure setting.
  - Turn the boiler off and disconnect the gauge.

**Important: after the checks all of the test points must be sealed.**

## 15.6 Checking the ignition device:

With the burner on high flame close the gas cock. After three ignition attempts (within about three minutes), the lock-out signal lamp must appear (D on Figure 15.4). To reset the boiler turn the knob B (figure 15.4) on the 0 position and then press and release the boiler reset button (C on Figure 15.4).

# 15. Commissioning Cont.

- Turn the boiler OFF.
- Open the gas valve outlet pressure test point 19 (figure 15.6) and connect the gauge
- Turn the boiler ON positioning the function selector B in the position shown in figure 15.8 and ensure that the room thermostat is set to “heat demand”.

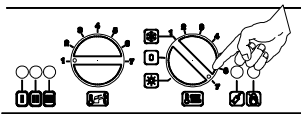


Figure 15.8

- Loosen screws K and remove the service panel (figure 15.9).

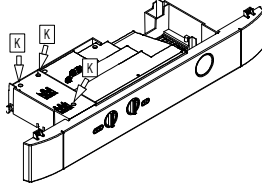


Figure 15.9

## 15.7 Checking the burner ignition:

- Watch the gauge and check to see if the ignition pressure registered corresponds to the values given in the Technical Data. Turn off the boiler and reignite it by turning the function selector B to the OFF position and then back to that indicated in figure 15.8
- Repeat this process two to three times leaving 30 second intervals between each ignition. Check the ignition pressures and visually check that the burner lights uniformly and in a controlled manner.
- To carry out the adjustment move the function selector 3 to the OFF position (Fig. 15.10) and use the device (ACC).

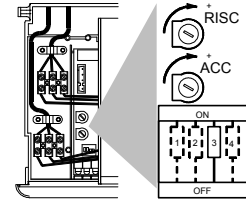


Figure 15.10

- Adjust the gas pressure at the injectors to the value indicated in the tables of section 2. By rotating the device clockwise the pressure increases.
- After the adjustment operations bring the selector 3 of figure 15.10 back to the normal position (ON).
- Reassemble the service panel.
- Close the gas valve outlet pressure test point 19 (figure 15.6).
- Reassemble the front panel of the case.

**Important: after the checks all of the test points must be sealed.**

## 15.8 Adjustment of the useful c.h. output:

- Turn the boiler OFF.
- Open the gas valve outlet pressure test point 19 (figure 15.6) and connect the gauge.
- Turn the boiler ON positioning the function selector B in the position shown in figure 15.8 and ensure that the room thermostat is set to “heat demand”.
- Loosen screws K and remove the service panel (figure 15.9).
- To carry out the adjustment use the adjustment device (RISC) with the help of a screwdriver.
- By rotating the device clockwise the pressure increases.
- Adjust the gas pressure at the burner to the value according to the useful c.h. output wanted (Tab. 15.1).
- Reassemble the service panel.
- Close the gas valve outlet pressure test point 19 (figure 15.6).
- Reassemble the front panel of the case.

# 15. Commissioning Cont.

## 15.9 Labels placement:

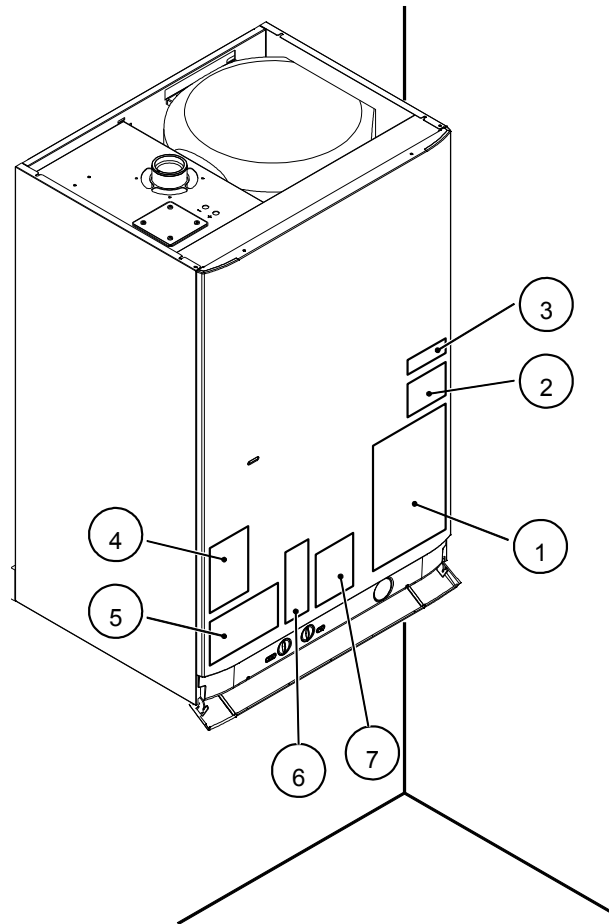


Figure 15.11

**Warning: The installation is not complete unless labels supplied are placed on the boiler as shown in Figure 15.11.**

All the labels supplied with the boiler are numbered for reference. According to Figure 15.11 place all the labels on the boiler. Use label numbered as 1 (already installed in the front panel) to begin the placement in the correct way.

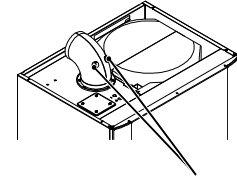
# 15. Commissioning Cont.

## 15.10 Checking the flue system and combustion:

- The flue system should be visually checked for soundness. Check all clamps, gaskets and fixings are secure and tight.
- Ensure that the flue terminal is sited correctly in accordance with the flue fitting instructions.

To check the exhaust gas:

- Remove the plugs indicated (Fig. 15.12).
- Insert the analyzer probe in the exhaust gas sampling point or in the air intake sampling point.
- Reference tables are given in the Sections 2 on page 10 of this manual for proper CO2 levels.



Air-Flue exhaust sampling points

Figure 15.12

## 15.11 Instructing the user:

- Hand over the User manual, this Installation, Operation and Service manual to the end user and explain how to use the unit in both C.h. and D.h.w. modes.
- Take the User step by step through the lighting instructions.
- Show the User how to switch off the appliance quickly and indicate the position of the electric service switch and the boiler on/off switch.
- Explain the proper use and adjustment of all system controls; this will ensure the greatest possible safety and fuel economy.
- Explain the function and use of the function switch.
- Explain how to turn off the appliance for both short and long periods and advise on the precautions necessary to prevent damage should the appliance be inoperative when freezing conditions may occur.
- Fill in the details required on the Boiler Guarantee Certificate and hand to the User advising them to return the correct section for boiler Guarantee registration. Finally, advise the User that, for continued safe and efficient operation, the appliance must be serviced by a competent person at least once a year.

<b>Useful output</b>	<i>KW</i>	10.8	12.0	14.0	17.0	20.0	23.0	26.0	29.5
	<i>MBH</i>	<b>36.8</b>	<b>40.9</b>	<b>47.8</b>	<b>58</b>	<b>68.2</b>	<b>78.5</b>	<b>88.7</b>	<b>100.7</b>
Natural	Pa	220	250	330	470	640	830	1050	1330
	<i>inwc</i>	<b>0.88</b>	<b>1.00</b>	<b>1.32</b>	<b>1.89</b>	<b>2.57</b>	<b>3.33</b>	<b>4.22</b>	<b>5.34</b>
	m <sup>3</sup> /h	48.7	53.0	60.7	72.4	84.0	96.0	107.7	121.1
Propane	Pa	360	420	560	800	1080	1400	1760	2230
	<i>inwc</i>	<b>1.45</b>	<b>1.69</b>	<b>2.25</b>	<b>3.21</b>	<b>4.34</b>	<b>5.62</b>	<b>7.06</b>	<b>8.95</b>
	lb/h	2.2	2.4	2.8	3.3	3.9	4.4	4.9	5.5

Tab 15.1

# 16. Gas Conversion

**WARNINGS:** Procedures to adapt the boiler to the type of gas available must be carried out by a competent and responsible person. Components used to adapt it to the type of gas available must be genuine parts only.

**Procedures:**

- Check that the gas cock (39 in Section 4) fitted on the gas supply pipe is turned off and the appliance is switched off at the circuit breaker.
- Remove the front and side panels of the case (see the section 17.2 Annual Maintenance – Dismantling the External Panels).
- Take off the lid of the sealed chamber.
- Loosen the screws A on figure 16.1 and move to the left the side panel of the combustion chamber.

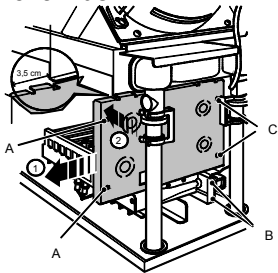


Figure 16.1

- Loosen the screws B and remove the air deflector (figure 16.1)
- Loosen the screws C and remove the front panel of the combustion chamber

moving it to the left for about 1.5 in, rotating it inside the combustion chamber (figure 16.1 follow the arrows) and then pulling it outside the combustion chamber (figure 16.2)

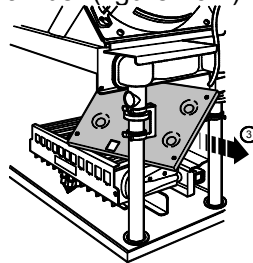


Figure 16.2

- Remove the connections of the ignition and detection electrodes
- Remove the burner 37 moving it to the left, rotating it upward and then pulling it outside the combustion chamber (follow the arrows on figure 16.3)

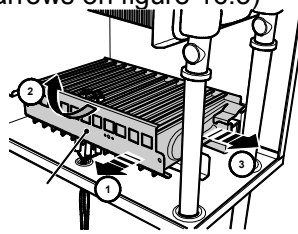


Figure 16.3

- Carry out the conversion for the type of gas, replacing the burner injectors correctly.
- Reassemble the burner, the side panel of the combustion chamber and the lid of the sealed chamber.
- Extract the control panel as explained in the section 12.1 of this manual.
- Loosen the screws K and remove the service panel (figure 16.4).

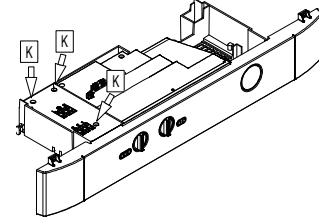


Figure 16.4

- Set correctly the dip-switch "2" to the correct position (Fig. 16.5) in accordance with the following table.

Gas supply	Position of the switch 2
Natural gas	On
L.P.G.	Off

## 16. Gas Conversion

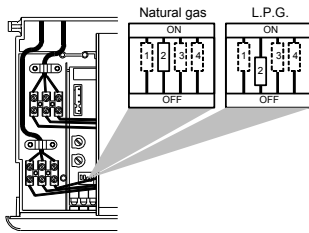


Figure 16.5

- Close the service panel.
- Turn on the boiler.
- Calibrate the gas valve according to the instructions given in section 15.5 of this manual.

- Set the correct gas pressure for central heating output required.
- Stick on the inside of the left hand side panel adjacent to the data badge the self-adhesive label (included with the conversion kit) indicating the type of gas, and the gas pressures to which the appliance has been set.

- Reassemble the front and side panels of the case.

# 17. Annual Maintenance

## 17.1 Warnings:

The procedures detailed in this chapter must be carried out only by a professionally qualified person. Thus you are advised to contact an Authorised Service Agent.

For efficient and continuous operation of the boiler you are advised to have, at least once a year, maintenance and cleaning done by an Approved Service Person.

Isolate the appliance from the electricity supply by turning off the fused spur isolation switch adjacent to the appliance and turn off the gas cock, before carrying out any procedures, whatsoever, for cleaning, maintenance, opening or dismantling boiler panels.

## 17.2 Dismantling the external panels:

### **Front Panel:**

- Loosen the three screws A (Fig. 17.1)
- Lift and remove the panel.

### **Side Panels:**

- Loosen the screws B (Figure 17.1) and C (Figure 17.2). Bring the bottom of the panels away from the boiler and lift them, freeing them from the top hooks.

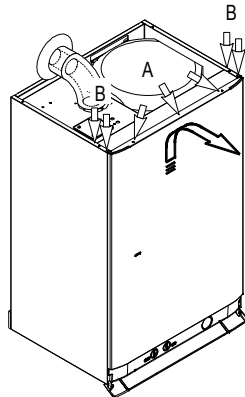


Figure 17.1

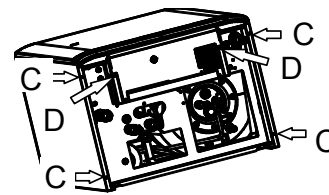


Figure 17.2

## 17.3 Emptying the d.h.w. system:

- Turn off the d.h.w. cold water inlet cock (40 on Sections 4 and 14) and turn on the hot water taps and any drain cocks.
- Turn on the storage tank drain cock E in Fig. 17.3 and empty the d.h.w. tank.

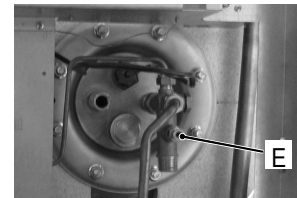


Figure 17.3

## 17.4 Emptying the Central Heating System:

- Close the pressure reducing automatic fill valve (37 on Section 4)
- Open the central heating drain cock (F in Fig. 17.4).
- Loosen the d.h.w. storage tank air purge valve (G in Fig. 17.5)

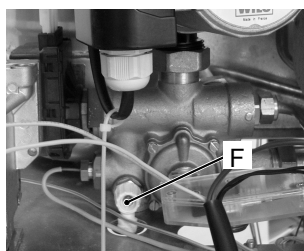


Figure 17.4

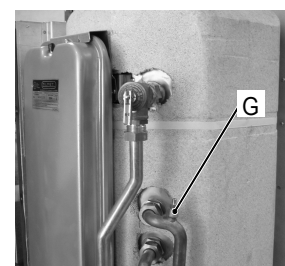


Figure 17.5



## **17. Annual Maintenance Cont.**

### **17.5 Cleaning the primary heat exchanger:**

- Take off the front panel of the case, then the sealed chamber lid and the front panel of the combustion chamber.

If you notice dirt on the fins of the primary heat exchanger (11 on page 11), cover the sloping surfaces of the burner (9 on page 11) entirely in a protective layer (sheets of newspaper or similar). Brush out the primary heat exchanger (11 on page 11) with a bristle paintbrush.

### **17.6 Checking the pressurization in the expansion vessel:**

Empty the central heating system as described in section 17.4 of this chapter and check that the pressure in the expansion vessel is not less than 1 bar (14.5 psi). See also section 13.2 page 26 of this manual. If the pressure should be lower, take steps to correct the pressure level.

### **17.7 Checking the pressurization in the d.h.w. expansion vessel:**

Empty the d.h.w. circuit as described in section 17.3 of this chapter and check that the pressure in the d.h.w. expansion vessel is not less than 3,5 bar (50 psi). See also section 13.2 page 26 of this manual. If the pressure should be lower, take steps to correct the pressure level.

### **17.8 Checking the magnesium anode:**

To guarantee protection of the storage tank from corrosion, it is advisable to check periodically the magnesium anode (31 on page 12) by an Approved Service Person.

Note: Empty the storage tank as shown on 17.3 before checking the magnesium anode

### **17.9 Cleaning the burner:**

The sloping and multi-gas type burner (9 on page 11) does not need special maintenance, but it is sufficient to dust it with a bristle paintbrush.

### **17.10 Checking the combustion fan:**

The combustion fan does not require any special maintenance. Lubrication is not necessary due to the fact that the ball bearings are sealed. Check that the fan operates and that the visible impeller fins are free of any dirt or obstructions.

### **17.11 Checking the flue:**

Have the integrity of the flue outlet pipe (33 on page 12) air intake pipe (34 on page 12), checked periodically, the venturi device (29 on page 12) cleaned and the efficiency of the flue safety circuit checked at least once a year. For all the above maintenance operations it is advisable to call an approved Service Engineer.

## 17. Annual Maintenance Cont.

- Remove the four Phillips head screws from the vent connector on the boiler.
- Remove the vent connector from the boiler by pulling vertically on it.
- Remove the first elbow from the horizontal run of the exhaust to the outside.
- Using a flashlight, inspect each length of vent pipe for obstructions and dirt build up. Clean any that is found with an appropriate sized brush.
- Inspect the venture device inside the outlet of the combustion fan. Make sure that it is free of any dirt build up or blockage.
- Make sure the seals are properly seated in the female ends of the vent pipe with the fins facing the male end of the pipe.
- Reinstall the elbow onto the horizontal run of the pipe first by simply pushing the parts together.
- Push the vent adapter down onto the top of the boiler and reinstall the four Phillips head screws.

To check the pressure at the venturi device, use the test points in Fig. 17.6.

- Remove the caps of the pressure test points and connect a differential pressure gauge.
- Switch on the boiler.
- Compare the value on the gauge with the minimum values of venturi pressure indicated in the Section 2 on page 10.

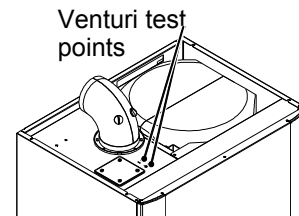


Figure 17.6

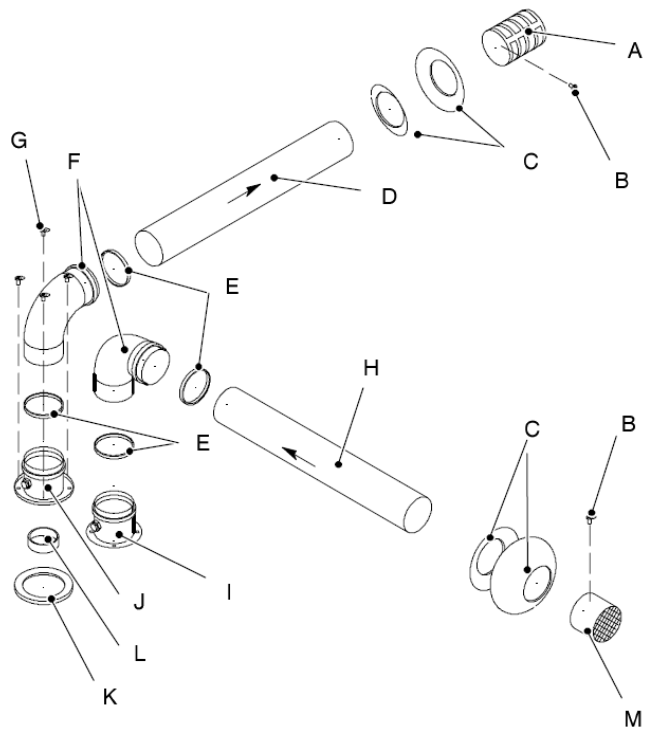
### **17.12 Visual inspection of appliance:**

Visually inspect all water joints, seals and connections for any evidence of leakage and retighten, grease or replace them as necessary.

### **17.13 Gas pressures and soundness:**

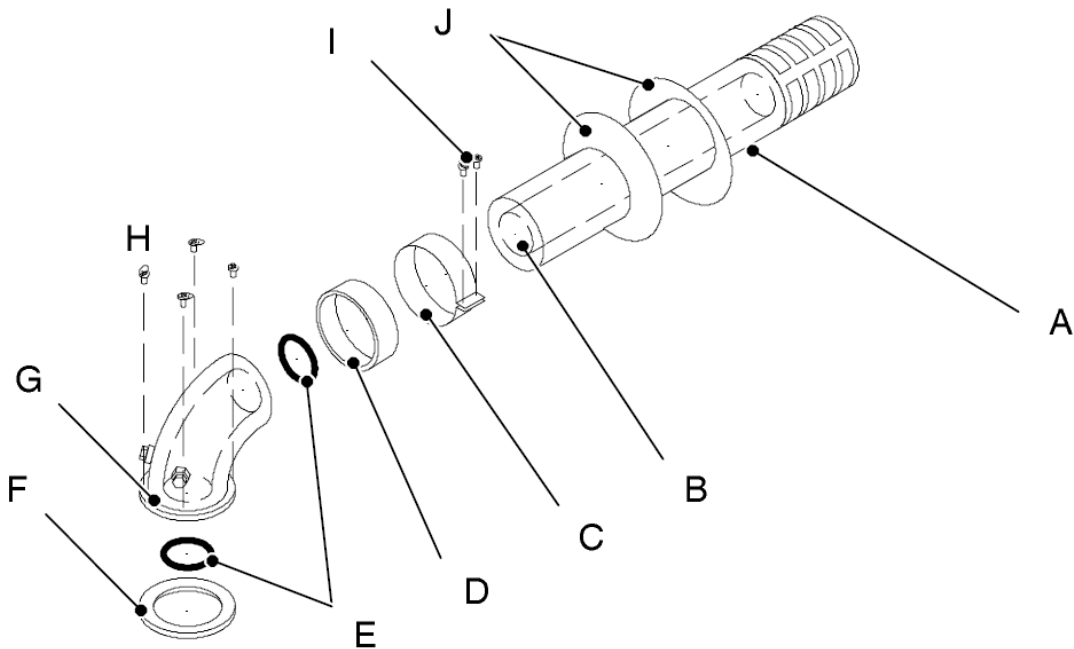
Check appliance for gas soundness. Recheck operational pressures and adjust as necessary as described in Section 15.5 page 32 of this manual.

# 18. Vent Part Spares



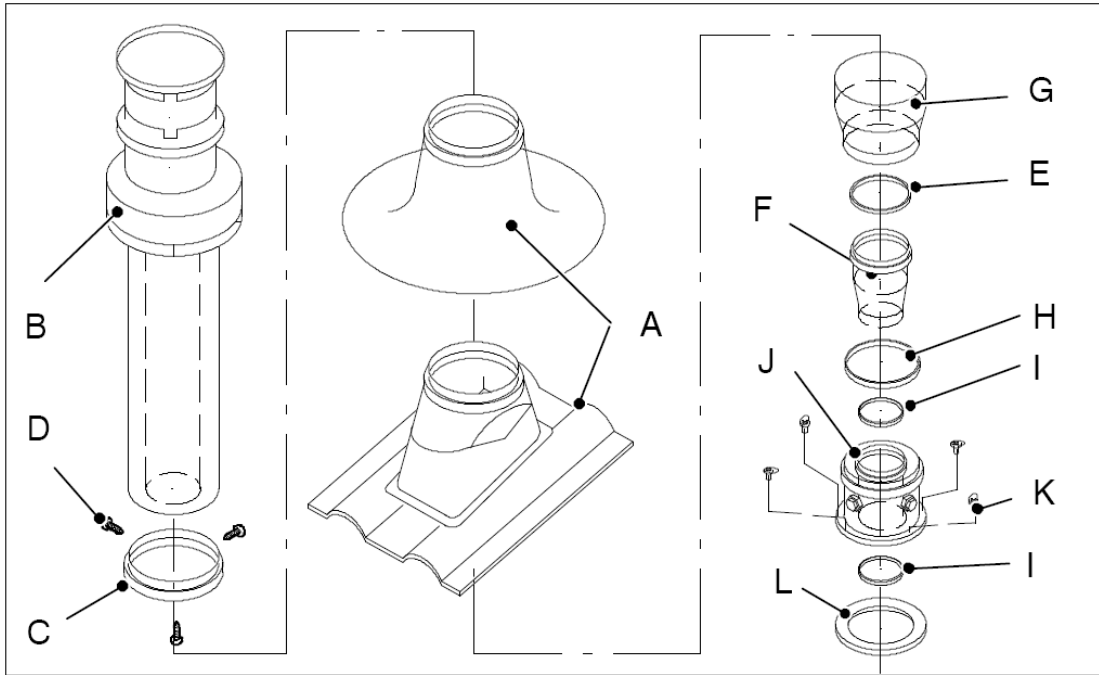
Part	Description	Order Number
A	Separate vent termination	
B	Termination hardware	
C	Wall gaskets	
D	Separate flue vent pipe	
E	Separate vent sealing gaskets	
F	Separate vent 90 degree elbows	
G	Boiler vent adapter hardware	
H	Separate flue intake pipe	
I	Separate flue intake boiler adapter	
J	Separate flue exhaust boiler adapter	
K	Exhaust adapter gasket	
L	Exhaust restrictor	
M	Separate flue intake termination	

## 18. Vent Part Spares Cont.



Part	Description	Order Number
A	Coaxial intake pipe	
B	Coaxial termination pipe	
C	Coaxial union clamp	
D	Coaxial union gasket	
E	Coaxial exhaust gasket	
F	Coaxial boiler adapter gasket	
G	Coaxial boiler adapter	
H	Coaxial boiler adapter hardware	
I	Coaxial union clamp hardware	
J	Wall gaskets	

# 18. Vent Part Spares Cont.



Part	Description	Order Number
A	Roof flashing kit (pitched or flat)	
B	Roof venting termination	
C	Roof venting termination collar	
D	Roof venting termination collar hardware	
E	Roof venting exhaust gasket	
F	Roof venting exhaust adapter	
G	Roof venting intake adapter	
H	Roof venting intake gasket	
I	Roof venting boiler adapter exhaust gasket	
J	Roof venting boiler adapter	
K	Roof venting boiler adapter hardware	
L	Roof venting boiler adapter gasket	

For any spare parts, please contact QHT Inc. at 800-501-7697.

# 18. Installer Notes

**System Checkout:**

Boiler Model No. \_\_\_\_\_

Serial No. \_\_\_\_\_

Original Purchaser:  
\_\_\_\_\_  
\_\_\_\_\_  
\_\_\_\_\_

Installer:  
\_\_\_\_\_  
\_\_\_\_\_  
\_\_\_\_\_



**Performance Tests:**

GROSS STACK TEMPERATURE \_\_\_\_\_

ROOM TEMPERATURE (AMBIENT) \_\_\_\_\_

NET STACK TEMPERATURE \_\_\_\_\_

CO2 \_\_\_\_\_

O2 \_\_\_\_\_

SMOKE READING \_\_\_\_\_

COMBUSTION EFFICIENCY \_\_\_\_\_

COMMENTS \_\_\_\_\_  
\_\_\_\_\_  
\_\_\_\_\_



\*1796212111\*

17962.1211.1 2906 (44A4)USA