

# FUTURA



## FUTURA

**Material**  
Stainless Steel

**Stock Finishes**  
PLS SEE COLOUR  
KEY CHART - [Click for Link](#)

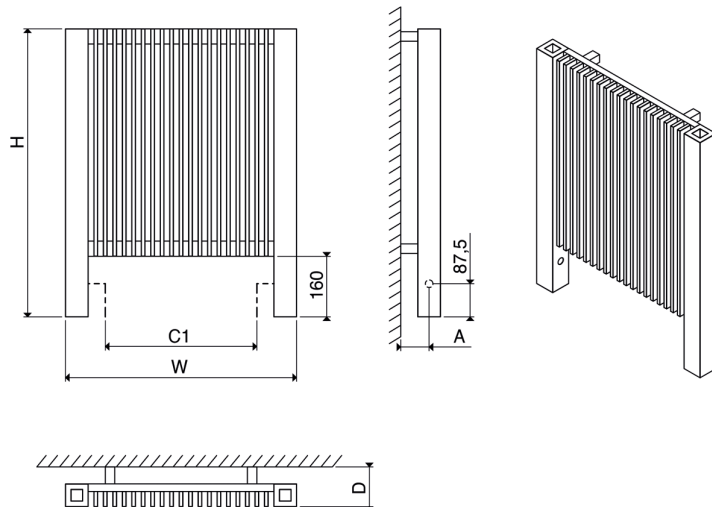
**Guarantee**  
20 Years

**Installation**  
Horizontal

PRODUCT CODE	Height (mm) H	Width (mm) W	Sections n	Pipe Centers (mm) C1	Wall to pipe Centers A (mm)	Wall Distance D (mm)	Nett Weight (kg)	Water Content (lt)	Fuel Type	Heat Outputs	
										Watts	BTU
FUT 0610076021	760	610	21	400	75-90	105-120	24,1	7,4	C	416	1419
FUT 0710076025	760	710	25	500	75-90	105-120	27,1	8,3	C	504	1719
FUT 0810076029	760	810	29	600	75-90	105-120	30,1	9,2	C	584	1992
FUT 0910076033	760	910	33	700	75-90	105-120	33,0	10,1	C	656	2238
FUT 1110076041	760	1110	41	900	75-90	105-120	38,7	11,5	C	814	2778

Please add finishing code at the end of the product code **Code example : FUT 0610076021 STP**

Fuel type i.e  
C: Central Heating  
E: Electrical Heating  
D: Dual Heating (C+E)



A full range of made to order sizes available.

Please ask for details.

n = number of sections

Max. working pressure 10 bar

Max. working temperature 95 °C

Connections ½"

Pipe centers C1 W-210mm