

# WOODSTOCK



## WOODSTOCK

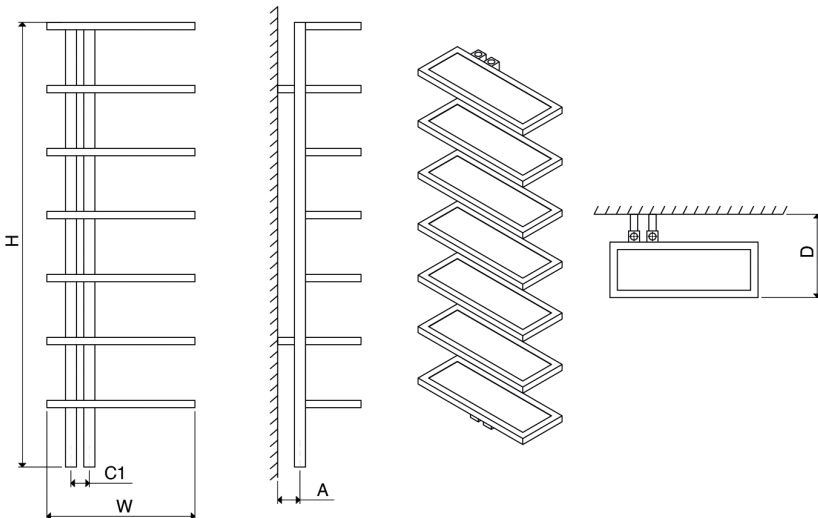
<b>Material</b>	<b>Stock Finishes</b>	<b>Guarantee</b>	<b>Installation</b>
Stainless Steel	<a href="#">PLS SEE COLOUR KEY CHART - Click for Link</a>	20 Years	Vertical

PRODUCT CODE	Height (mm)	Width (mm)	Sections	Pipe Centers (mm)	Wall to pipe Centers	Wall Distance	Nett Weight	Water Content	Fuel Type	Heat Outputs	
	H	W	n	C1	A (mm)	D (mm)	(kg)	(lt)		Watts	BTU
WDS 0400120007	1200	400	7	50	60-75	225-240	12.3	3.5	D	583	1988

Please add finishing code at the end of the product code

Code example : WDS 0400120007 STP

Fuel type i.e C: Central Heating  
E: Electrical Heating  
D: Dual Heating (C+E)



A full range of made to order sizes available.

Please ask for details.

n = number of sections

Max. working pressure

10 bar

Max. working temperature

95 °C

Connections

1/2"

Pipe center

C1

50 mm