

## INSTALLATION, USE AND MAINTENANCE MANUAL

GAS WALL-MOUNTED  
CONDENSING BOILER

# MYDENS



# CONTENTS

1 - GENERAL SAFETY WARNINGS.....	5
1.1 - National installation laws.....	5
2 - GENERAL INFORMATION .....	6
2.1 - Presentation.....	6
2.2 - Overview of models .....	6
2.3 - Accessories included .....	7
2.4 - Manufacturer.....	7
2.5 - Meaning of symbols used .....	7
2.6 - Maintenance .....	7
2.7 - Disposal .....	7
3 - MAIN COMPONENTS.....	8
4 - OPERATION .....	10
4.1 - Operation and intended use of the appliance.....	12
4.2 - Characteristic residual head curves at the central heating system.....	13
4.3 - Characteristic curve of the domestic hot water head losses.....	13
5 - INSTALLATION .....	14
5.1 - Opening the package.....	14
5.2 - Dimensions and minimum distances to be observed .....	14
5.3 - Choosing where to install the appliance .....	14
5.4 - Delivery and return.....	14
5.5 - Low-temperature systems (or underfloor heating).....	15
5.6 - Domestic hot and cold water.....	15
5.7 - Gas .....	15
5.8 - Unit assembly .....	16
5.9 - Condensate drain.....	16
5.10 - Safety valve .....	16
5.11 - Hydraulic and gas connections, and mounting of the lower cover.....	17
5.12 - Hydraulic connections for model -- B boiler .....	18
5.13 - Polyphosphate softener (on request).....	18
5.14 - Electrical connections: details.....	19
5.14.1 - Connecting the power supply cable.....	20
5.14.2 - Choosing the room thermostat/ chronothermostat.....	20
5.14.3 - Connecting the room thermostat/ chronothermostat.....	21
5.14.4 - CR04 remote time control (on request).....	21
5.14.5 - Installing the external temperature sensor (on request) .....	21
5.14.6 - 0-10 VDC type dialogue.....	21
5.14.7 - Alarm contact .....	21
5.15 - Connecting appliances in a cascade .....	22
5.16 - Connecting the boiler to indirect water heater with coil .....	23
5.16.1 - Anti-legionella.....	23
5.17 - Burned gas exhaust and combustion agent air intake pipe .....	24
5.17.1 - Type of intake/exhaust B23 and B23P .....	25
5.17.2 - "Split 80/80PP" system (polypropylene) (type C43; C53; C83; C93).....	26
5.17.3 - "Split 80/80PP" system (type C43; C53; C83; C93): accessories available.....	27
5.17.4 - "Split 80/80PP" system (type C43; C53; C83; C93): installation examples .....	28
5.17.5 - "60/100PP vertical coaxial" system (polypropylene) (type C13; C33).....	29
5.17.6 - "60/100PP horizontal coaxial" system (polypropylene) (type C13; C33) .....	30
5.17.7 - "60/100PP coaxial" system: accessories available .....	31
5.17.8 - "60/100PP coaxial" system: installation examples.....	32
5.17.9 - "80PP single" system (polypropylene) (type B23 or B23P).....	33
5.17.10 - "80PP single" system: accessories available.....	34
5.18 - Installing and uninstalling the MYDENS external cover kit (on request).....	34
6 - START-UP.....	37
6.1 - Start-up.....	37
6.1.1 - Instructions to the user.....	37
6.1.2 - Filling the condensate drain siphon .....	37
6.1.3 - Filling the central heating system.....	37
6.2 - General recommendations regarding the gas supply .....	38
6.3 - Type of gas for which the appliance is set. ....	38
6.4 - Conversion of the appliance from one type of gas to another .....	39
6.5 - Ignition .....	41
6.6 - Controlling the supply gas pressure and any adjustments .....	41
6.7 - Controlling the level of CO2 and any adjustments.....	42
6.8 - Adjusting the power in central heating mode (Range Rated) .....	44
6.9 - Adjusting the domestic hot water flow rate .....	44
7 - USE.....	45
7.1 - Checking the cock opening.....	45
7.2 - Checking the central heating system pressure.....	45

# CONTENTS

7.3 - General information.....	46
7.4 - Ignition procedure .....	46
7.5 - Summer operating mode .....	46
7.6 - Winter operating mode.....	46
7.7 - Adjusting the instantaneous domestic hot water.....	47
7.8 - Central heating.....	47
7.9 - Thermostatic adjustment.....	48
7.10 - Climatic adjustment.....	48
7.10.1 - Climatic adjustment: which systems? .....	48
7.10.2 - Climatic adjustment: precautions during adjustment .....	48
7.10.3 - Climatic adjustment: setting the parameters .....	48
7.10.4 - Climatic adjustment: adaptation to different climatic areas .....	49
7.10.5 - Climatic adjustment: switching the central heating service on and off .....	49
7.10.6 - Climatic adjustment with room compensation.....	49
7.11 - Timers for the various functions .....	51
7.12 - Pump and diverter valve anti-block function .....	51
7.13 - Anti-freeze protection.....	51
7.14 - Automatic system filling (on request) .....	51
7.15 - "User profile" .....	52
7.16 - "Installer profile" .....	54
7.16.1 - Parameters for cascade systems.....	58
7.17 - Diagnostics .....	59
7.17.1 - Diagnostics: locks "Loc" .....	59
7.17.2 - Diagnostics: errors "Err" .....	62
7.17.3 - Diagnostics: alarms "AttE" .....	65
8 - MAINTENANCE .....	66
8.1 - General recommendations.....	66
8.2 - Maintenance protocol.....	67
8.2.1 - Checking the system water pressure and any leaks.....	67
8.2.2 - Checking the gas pressure and any leaks .....	67
8.2.3 - Checking the condition of the safety valve.....	67
8.2.4 - Checking the condition of the safety and control devices .....	68
8.2.5 - Checking the condition of the electrical system .....	68
8.2.6 - Checking the operation of the main switch .....	68
8.2.7 - Checking the correspondence of the adjusted temperatures in the heating and domestic hot water systems .....	68
8.2.8 - Checking if the device is triggered in case of gas failure .....	68
8.2.9 - Checking the condition of the air intake and flue exhaust ducts .....	68
8.2.10 - Checking the ignition and detection electrodes .....	68
8.2.11 - Checking the condition of the air vent valves.....	68
8.3 - Removing the casing and accessing the internal components.....	69
8.4 - Dismantling the burner fan assembly.....	70
8.5 - Cleaning the burner and the primary heat exchanger (fumes side).....	70
8.6 - Correctly positioning the ignition and detection electrodes .....	71
8.7 - Dismantling the ignition and detection electrodes .....	71
8.8 - Dismantling and replacing the gas valve .....	72
8.9 - Checking the expansion tank.....	73
8.10 - Cleaning the condensate conveyor siphon.....	74
8.11 - Removing the air vent valve.....	75
8.12 - Replacing the pump motor.....	75
8.13 - Removing the central heating circuit pressure sensor.....	75
8.14 - Removing the diverter valve servomotor .....	76
8.15 - Removing the diverter valve .....	76
8.16 - Removing the flow meter .....	76
8.17 - Removing the safety valve.....	77
8.18 - Secondary heat exchanger for the production of DHW .....	77
8.19 - Emptying the appliance on the central heating side .....	78
8.20 - Emptying the appliance on the domestic hot water side.....	78
8.21 - Minimum and maximum power .....	78
8.22 - Checking the ionisation current .....	79
8.23 - Checking combustion efficiency.....	79
8.24 - Water temperature measurement sensors .....	79
8.25 - External temperature sensor.....	79
8.26 - Wiring diagram.....	80
9 - TECHNICAL DATA .....	82
10 - COMMAND MENU DIAGRAM .....	84
11 - EU DECLARATION OF CONFORMITY .....	85
12 - ErP PRODUCT SHEET.....	86

# 1 - GENERAL SAFETY WARNINGS

## If you smell gas

1. - Close the gas cock.
2. - Ventilate the room.
3. - Do not switch on any electric device, telephone included.
4. - From another room, call a professionally qualified technician immediately or the gas supply company. Call the Fire Service if the former are not available.

## If you can smell combustion products

1. - Switch the appliance off.
2. - Ventilate the room.
3. - Call a professionally qualified technician.

## Explosive or highly flammable products

Do not store or use explosive or highly flammable materials such as paper, solvents, paints, etc. in the room where the appliance is installed.

## Installation, modifications

- ☞ The gas appliance must be installed, calibrated or modified by professionally qualified staff, in compliance with national and local regulations, as well as the instructions in this manual.
- ☞ Incorrect installation or poor maintenance can cause damage or injury to persons, animals or objects, for which the manufacturer cannot be deemed liable.
- ☞ The appliance exhaust must be connected to a burned gas evacuation pipe. Failure to comply with this regulation leads to serious risks for the safety of persons and animals.
- ☞ A domestic hot water temperature level exceeding 51°C can cause permanent damage or injury to persons, animals and objects. In particular, protect children, the elderly and people with disabilities against any possible risks of scalds, by inserting devices that limit the usage temperature of the DHW to users.
- ☞ The parts conducting the fumes must not be modified.
- ☞ Do not obstruct the ends of the intake/exhaust pipes.
- ☞ Do not leave parts of the packaging and any replaced parts within the reach of children.
- ☞ Seal the adjustment devices after every calibration.
- ☞ In agreement with the provisions for use, the user must keep the installation in good working order and guarantee reliable and safe operation of the appliance.
- ☞ The user must have maintenance performed on the appliance by a professionally qualified technician in compliance with national and local regulations and this manual.
- ☞ We would also highlight the convenience of an annual scheduled maintenance contract with a professionally qualified technician.
- ☞ Before performing any cleaning or maintenance operations, disconnect the appliance from the mains power supply and/or use the cut-off devices.
- ☞ After having performed any cleaning or maintenance operations, make sure that all internal parts of the appliance are dry before re-connecting the electric power supply.
- ☞ This appliance is not intended for use by persons (including children) with reduced physical, sensory and mental capabilities or a lack of experience or knowledge, unless they are supervised or have been instructed on use of the appliance by a person responsible for their safety.

☞ This manual is an integral and essential part of the product and must be kept carefully by the user for future consultation. If the appliance needs to be transferred or if you should move and leave the unit to another user, always ensure that this manual remains with the new user and/or installer.

☞ Any optionals or kits added later must be original Cosmogas products.

☞ This appliance must be intended only for the use for which it has been expressly declared: central heating water for closed circuits intended for central heating of rooms for civil and domestic use, production of domestic hot water for civil use.

☞ Any contractual and non-contractual liability on the part of the manufacturer is excluded for damage caused by installation errors or usage errors and, in all cases, following a failure to comply with the instructions given by the manufacturer or with applicable national and/or local laws.

☞ For safety reasons and to safeguard the environment, the packaging components must be disposed of in the relevant separate waste collection centres.

## In case of breakdown

In the event of a fault and/or poor operation of the appliance, disconnect it and do not attempt to carry out any repairs. Contact a professionally qualified technician only. If components need to be replaced, these must be original spare parts. Failure to comply with the above may jeopardise the safety of the appliance.

## Professionally qualified technicians.

A 'professionally qualified technician' means a person with specific technical skill in the sector of central heating system components and the production of domestic hot water for sanitary and civil uses, electric installations, and systems for the use of combustible gas. Such people must have the skills envisaged by the law.

## Technical drawings

All the drawings shown in this manual relating to electrical, hydraulic or gas installation systems must be understood to be purely illustrative. All the safety devices, auxiliary devices and the diameters of the electrical, hydraulic and gas pipes must always be checked by a professionally qualified technician, to make sure they satisfy the applicable laws and regulations.

## 1.1 - National installation laws

Respect the national regulations, provisions, directives and laws in force.

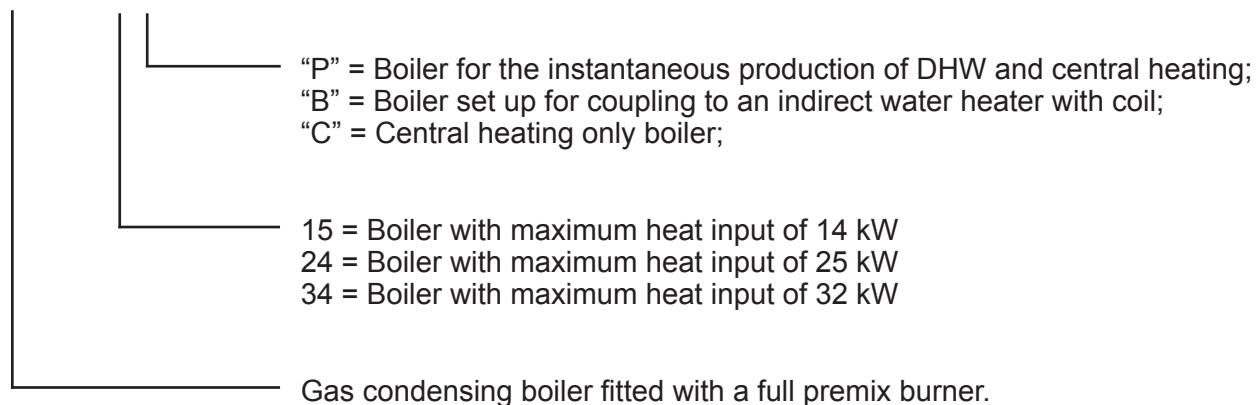
- Ministerial Decree n°37 dated 22/01/2008 (former Law n°46 dated 05/03/90)
- Law n° 10 dated 09/01/91
- Presidential Decree n° 412 dated 26/08/93
- Presidential Decree n° 551 dated 21/12/99
- Legislative Decree n° 192 dated 19/08/05
- Legislative Decree n° 311 dated 29/12/06
- UNI 7129-1 standard
- UNI 7129-2 standard
- UNI 7129-3 standard
- UNI 7129-4 standard
- UNI 7129-5 standard
- UNI 7131 standard
- IEC 64-8 standard

### 2.1 - Presentation

Congratulations! You have purchased one of the best products on the market. Each individual part is proudly designed, manufactured, tested and assembled within the COSMOGAS facilities, thus guaranteeing the best quality control.

### 2.2 - Overview of models

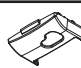
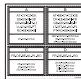

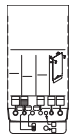
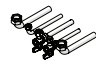

#### MYDENS XXY



## 2 - GENERAL INFORMATION

### 2.3 - Accessories included

The boiler is supplied with the following accessories:

Quantity No.	Description	Code	Figure
n° 1	LOWER COVER	61405266	
n° 1	GAS CONVERSION KIT	For 15 and 24 models	
		For 34 models	
n° 1	INDIRECT WATER HEATER SENSOR	Only for "B" (factory assembled) and "C" models	
n° 1	PREINSTALLATION TEMPLATE	61804018	
n° 1	CONNECTIONS KIT (including appliance wall support KIT)	For all 15 and 24 "C", "B" and "P" models	
		For all 34 "C", "B" and "P" models	
n° 1	CONNECTIONS KIT	Only for "B" models	

### 2.4 - Manufacturer

COSMOGAS srl  
Via L. da Vinci 16  
47014 - Meldola (FC) Italy  
Tel. (+39) 0543 498383  
Fax. (+39) 0543 498393  
www.cosmogas.com  
info@cosmogas.com

### 2.5 - Meaning of symbols used



#### WARNING!

Electric shock hazard Failure to comply with these warnings may jeopardise the working order of the appliance or cause serious damage or injury to persons, animals or objects.



#### Generic hazard

Failure to comply with these warnings may jeopardise the working order of the appliance or cause serious damage or injury to persons, animals or objects.

 Important indication symbol

### 2.6 - Maintenance

A regular annual maintenance check on the appliance is advised for the following reasons:

- to maintain high efficiency and manage the central heating system economically (with low fuel consumption);
- to achieve a high level of operating safety;
- to maintain the level of environmental compatibility of the combustion high;

To do this, please see the table in section 8.2.

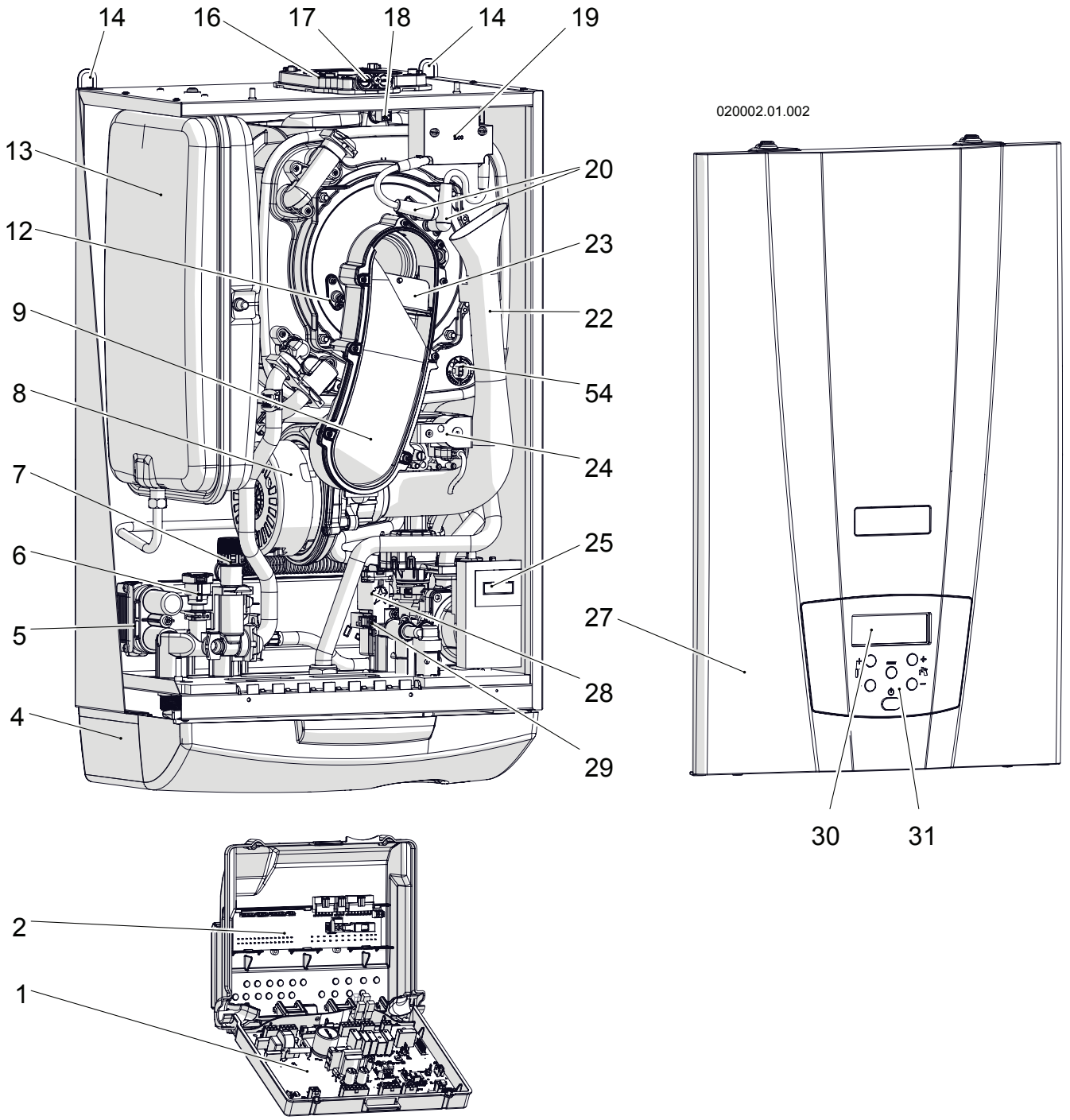
Offer your customer a scheduled maintenance contract.

### 2.7 - Disposal



The crossed wheelie bin symbol means that the product must not be thrown away in the ordinary rubbish bin (i.e. in with "mixed urban rubbish"); it must be dealt with separately, in order to undergo suitable operations for it to be reused or treated, so that any substances that are dangerous for the environment can be removed and disposed of safely. This will enable all the raw materials to be recycled. The user is responsible for getting rid of the boiler at the end of its life, delivering it to a recycling centre run by the local authority or city hygiene companies, or, when he/she buys a new boiler, giving the product that has been replaced to the dealer, who is obliged to take it under the terms of EU Directive 2012/19/EU. For further information regarding correct decommissioning of these units, users can contact the public service in charge or retailers.

### 3 - MAIN COMPONENTS

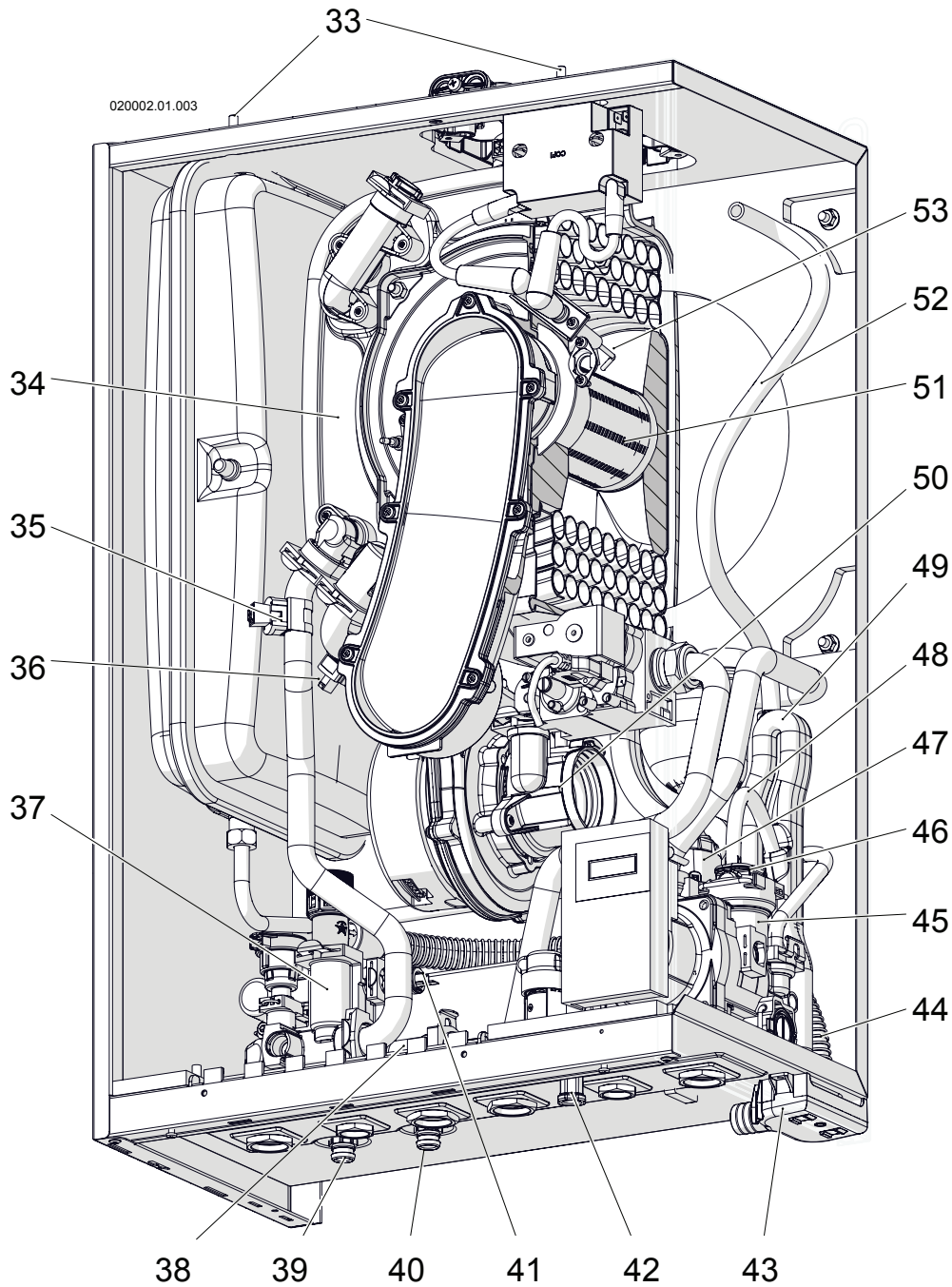


- 1 - Command and control board
- 2 - Electric connections board
- 3 - -----
- 4 - Lower cover
- 5 - Secondary heat exchanger for domestic hot water
- 6 - Central heating water pressure sensor
- 7 - Safety valve
- 8 - Fan
- 9 - Air/gas manifold
- 10 - -----
- 11 - -----
- 12 - Detection electrode
- 13 - Expansion tank
- 14 - Support attachments
- 15 - -----
- 16 - Air intake and burned gas exhaust fittings
- 17 - Combustion analysis points
- 18 - Fumes temperature sensor (Par. 1006) and flue gas temperature fuse
- 19 - Spark generator
- 20 - Ignition cables
- 21 - -----
- 22 - Air inlet manifold
- 23 - Back flue preventer valve
- 24 - Gas valve
- 25 - Circulation pump
- 26 - -----
- 27 - Front casing
- 28 - Domestic hot water flow meter
- 29 - Domestic hot water flow meter sensor (Par. 1062)
- 30 - Display
- 31 - Control panel
- 32 - -----
- 54 - Primary heat exchanger fuse

Figure 3-1 – Boiler internal components



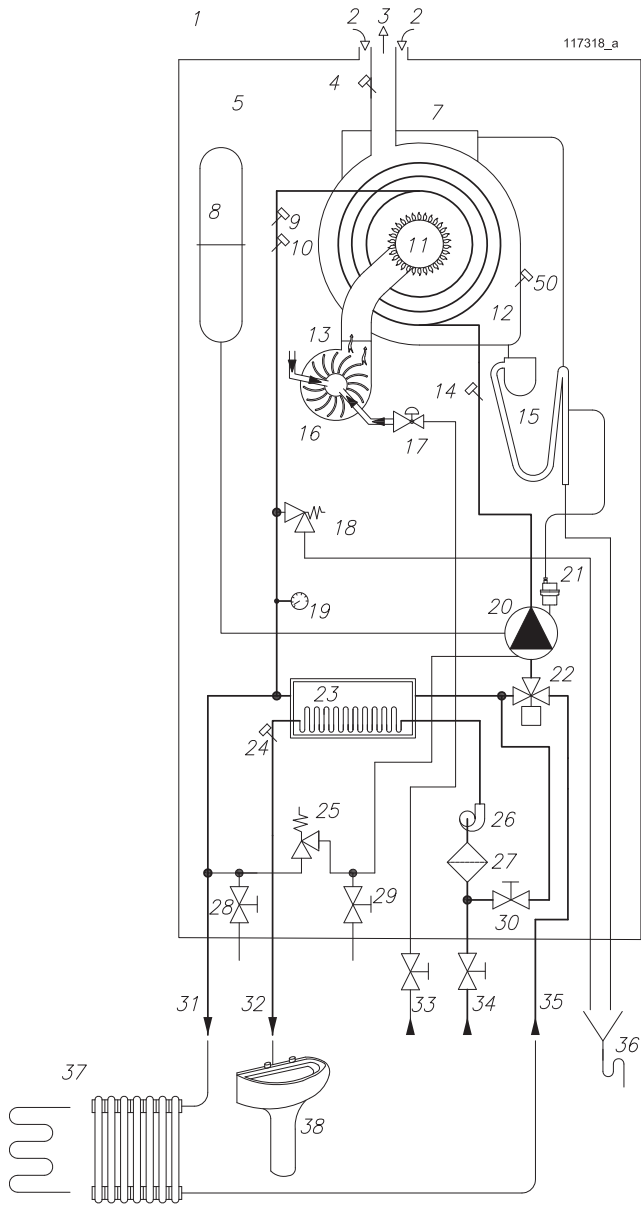
### 3 - MAIN COMPONENTS



- |  |   |
|--|---|
| 33 - Front casing couplings                                | 43 - Condensate collection tank   |
| 34 - Titanium-plated steel primary heat exchanger          | 44 - Safety valve drain pipe  |
| 35 - Double supply temperature sensor (Par. 1001 and 1005) | 45 - Return hydraulic unit  |
| 36 - Return temperature sensor (Par. 1007)                 | 46 - Air vent valve   |
| 37 - Hydraulic supply unit                                 | 47 - 3-way diverter valve   |
| 38 - By-pass pipe  | 48 - Air vent valve drain pipe  |
| 39 - Central heating circuit drain cock                    | 49 - Condensate drain siphon  |
| 40 - Central heating circuit drain cock                    | 50 - Air/gas mixing unit  |
| 41 - Domestic hot water temperature sensor (Par. 1002)     | 51 - Burner   |
| 42 - System fill cock                                      | 52 - Drain pipe for any water coming from the combustion agent air pipe |
|  | 53 - Ignition electrodes  |
|  | 54 = Primary heat exchanger fuse (not present)                          |

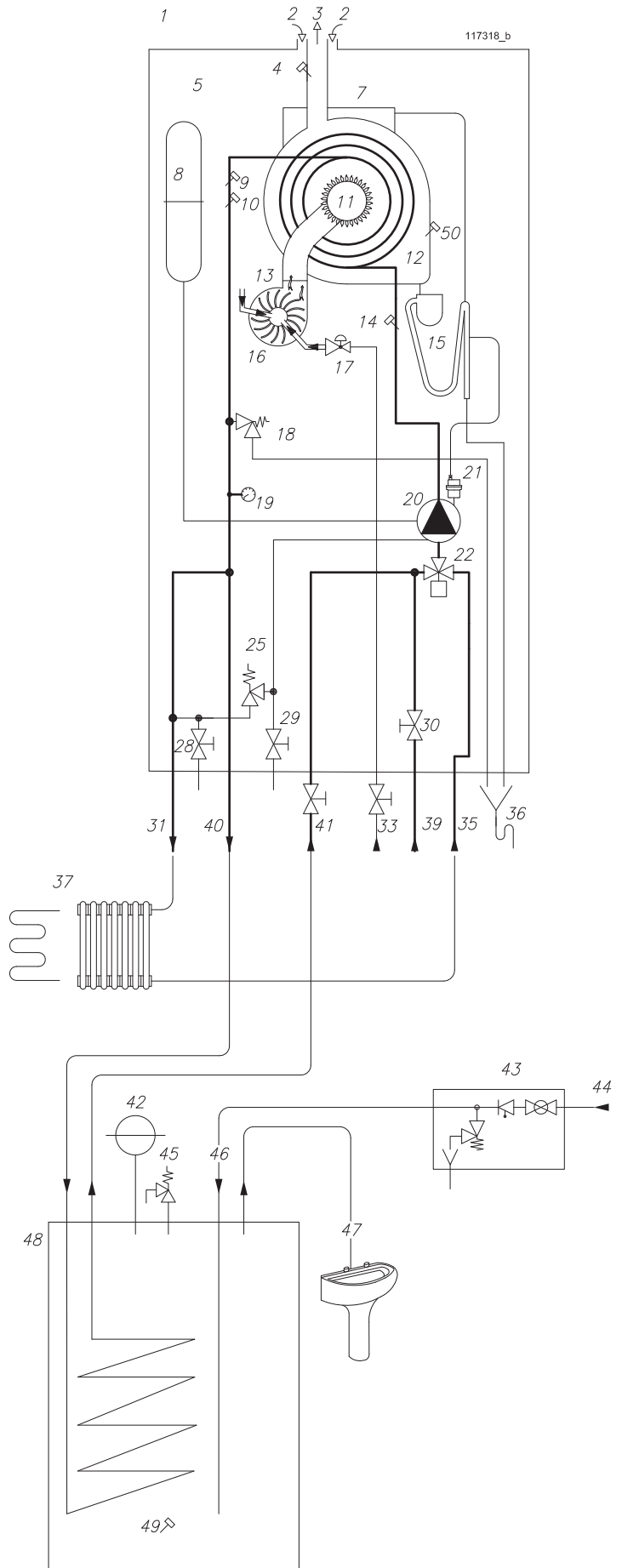
Figure 3-2 – Boiler internal components

# 4 - OPERATION



**Figure 4-1 – Hydraulic layout**

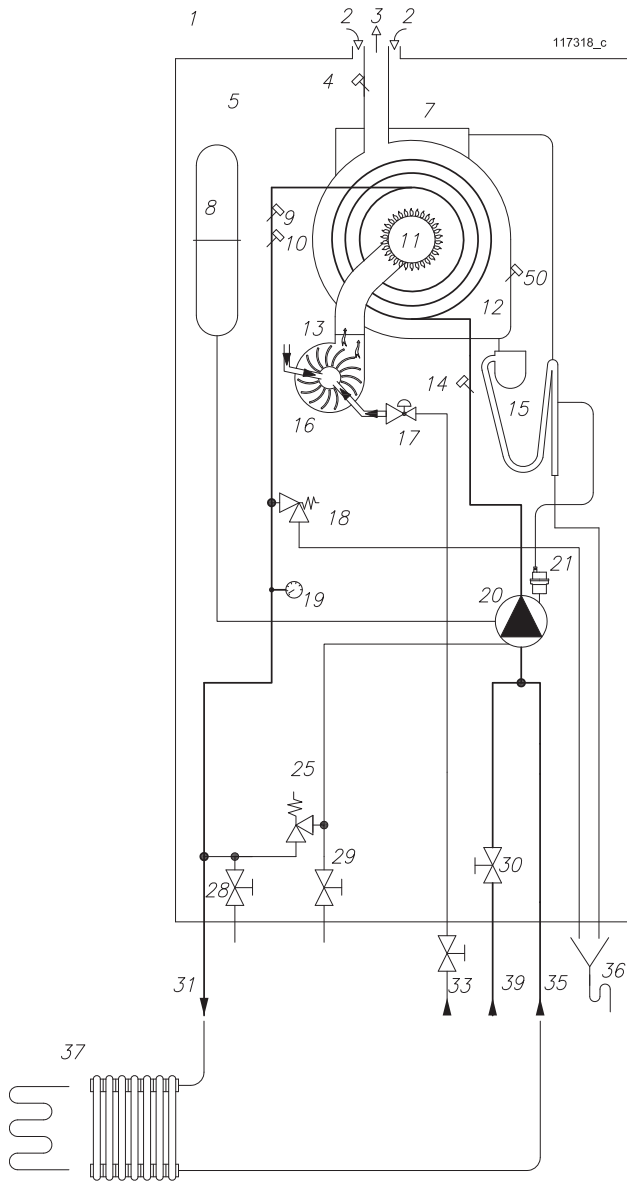
MYDENS 24P  
MYDENS 34P



**Figure 4-2 – Hydraulic layout**

MYDENS 15B  
MYDENS 24B  
MYDENS 34B

## 4 - OPERATION



Key for figures 4-1, 4-2, 4-3:

- 1 = Boiler
- 2 = Combustion agent air inlet
- 3 = Fumes outlet
- 4 = Fumes temperature sensor (Par. 1006) and flue gas temperature fuse
- 5 = Sealed chamber
- 6 = -----
- 7 = Water collection pipe coming from the combustion agent inlet pipe
- 8 = Expansion tank
- 9 = Supply temperature sensor (Par. 1001)
- 10 = Supply temperature safety sensor (Par. 1005)
- 11 = Burner
- 12 = Titanium-plated stainless steel VRC type heat exchanger
- 13 = Fan
- 14 = Return temperature sensor (Par. 1007)
- 15 = Condensate collection siphon with sediment decanter
- 16 = Air/gas mixer
- 17 = Pneumatic gas valve
- 18 = Safety valve
- 19 = Central heating water pressure sensor (Par. 1033)
- 20 = Circulation pump
- 21 = Air vent valve
- 22 = Diverter valve
- 23 = Plate heat exchanger for domestic hot water
- 24 = Domestic hot water temperature sensor (Par. 1002)
- 25 = Central heating by-pass valve
- 26 = Domestic hot water flow meter (Par. 1062)
- 27 = Domestic hot water filter
- 28 = Supply circuit drain cock
- 29 = Return circuit drain cock
- 30 = Central heating system fill cock
- 31 = Central heating circuit supply
- 32 = Domestic hot water outlet
- 33 = Gas inlet
- 34 = Domestic cold water inlet
- 35 = Central heating circuit return
- 36 = Collector for condensate drain and safety valve
- 37 = Central heating system
- 38 = Domestic hot water system
- 39 = Water supply attachment for filling the system
- 40 = Supply to indirect water heater
- 41 = Return from indirect water heater
- 42 = Expansion tank for indirect water heater
- 43 = Hydraulic safety unit
- 44 = Cold water supply
- 45 = Safety valve
- 46 = Cold water
- 47 = Domestic hot water
- 48 = Indirect water heater
- 49 = Indirect water heater temperature sensor (Par. 1002)
- 50 = Primary heat exchanger fuse (not present)

Figure 4-3 – Hydraulic layout

MYDENS 15C  
MYDENS 24C  
MYDENS 34C

## 4 - OPERATION

### 4.1 - Operation and intended use of the appliance

This product is a condensing, gas appliance, intended for the generation of central heating and production of domestic hot water for civil use.

Make the adaptation between the boiler and the system, selecting the characteristic residual head curve in figure 4-5 deemed most suitable from those available.

The maximum useful output power is always guaranteed for the production of domestic hot water, as the central heating service switches off at every request for domestic hot water. The temperature of the domestic hot water is adjusted following the procedure in section 7.7.

The following types of systems can be set up depending on the model:

A) - MYDENS -- "P". With this boiler it is possible to create a system to produce instantaneous domestic hot water and a central heating system with the heating elements operating at a temperature between 30°C and 80°C. An example of this type of set-up is given in fig. 4-1.

B) - MYDENS -- "B". With this boiler it is possible to create a system to produce domestic hot water via a coil-type storage indirect water heater and a central heating system with the heating elements operating at a temperature between 30°C and 80°C. An example of this type of set-up is given in fig. 4-2.

C) - MYDENS -- "C". With this boiler it is possible to create a system for central heating only with the heating elements operating at a temperature between 30°C and 80°C. An example of this type of set-up is given in fig. 4-3.

This model can be connected to a coil-type indirect water heater also after installation, filled via a diverter valve or a pump outside the boiler.

In all of the boiler versions previously described, connecting the domestic hot water service is not essential; if the boiler is used for central heating only, just connect the cold water pipe to fill the central heating system and close the DHW outlet fitting.

All boiler versions previously described, can be connected to a room thermostat for adjustment of the central heating. To perfect the quality of the heating service, an external temperature sensor can be connected (climatic adjustment) to automatically adjust the supply temperature depending on the external temperature. In this case, the room thermostat can compensate for the room temperature via an ON /OFF or two-step command. For further information regarding climatic adjustment, refer to section 7.10.

☞ This appliance must be connected to a central heating system and to a domestic hot water distribution network, compatible with the features, performance and power of the appliance itself.

☞ Before installing the appliance, the central heating system and the domestic hot water system must be washed thoroughly in order to remove any residues or impurities, which could compromise the working order of the boiler.

☞ This boiler is not designed to be installed in the open air; it must not be exposed to temperatures below 0.5°C and above 50°C. Choose a place sheltered from weathering and frost. If the appliance is equipped with a special external cover kit (see section 5.18) it can be installed outside, in a place partially protected from rain, snow and hail, such as a balcony or porch (see figure 4-4).

☞ Check figure 5-1 concerning the minimum safety distances for installation and future maintenance.

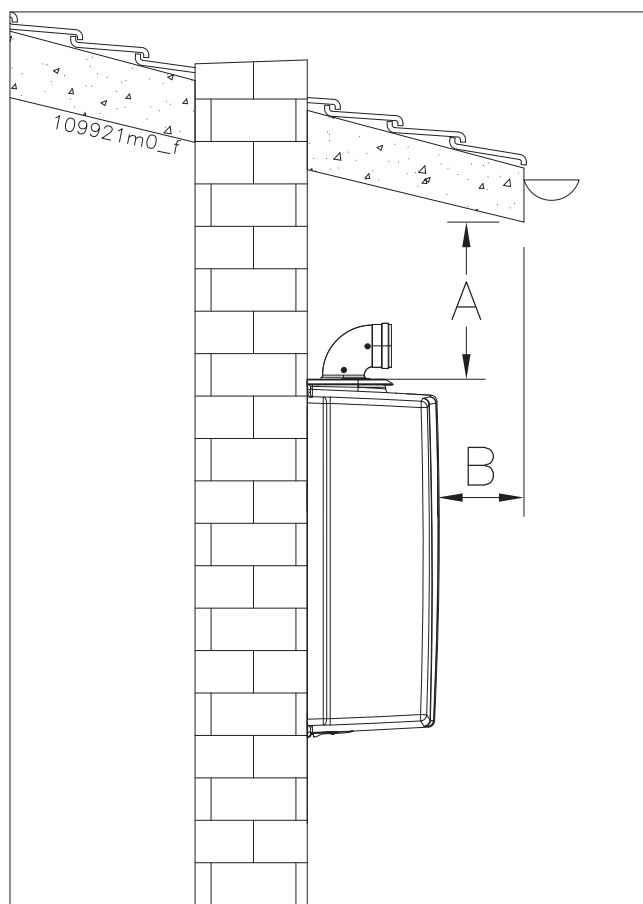


Figure 4-4 – Example of a partially protected place

**Figure 4-4 key – Distances "A" and "B" must be assessed during installation so that rain does not reach the appliance directly.**

### 4.2 - Characteristic residual head curves at the central heating system

The residual head at the appliance connections is given as a graph in figure 4-5.

The modulation range (particularly "x") can be checked using the graph in figure 4-5.

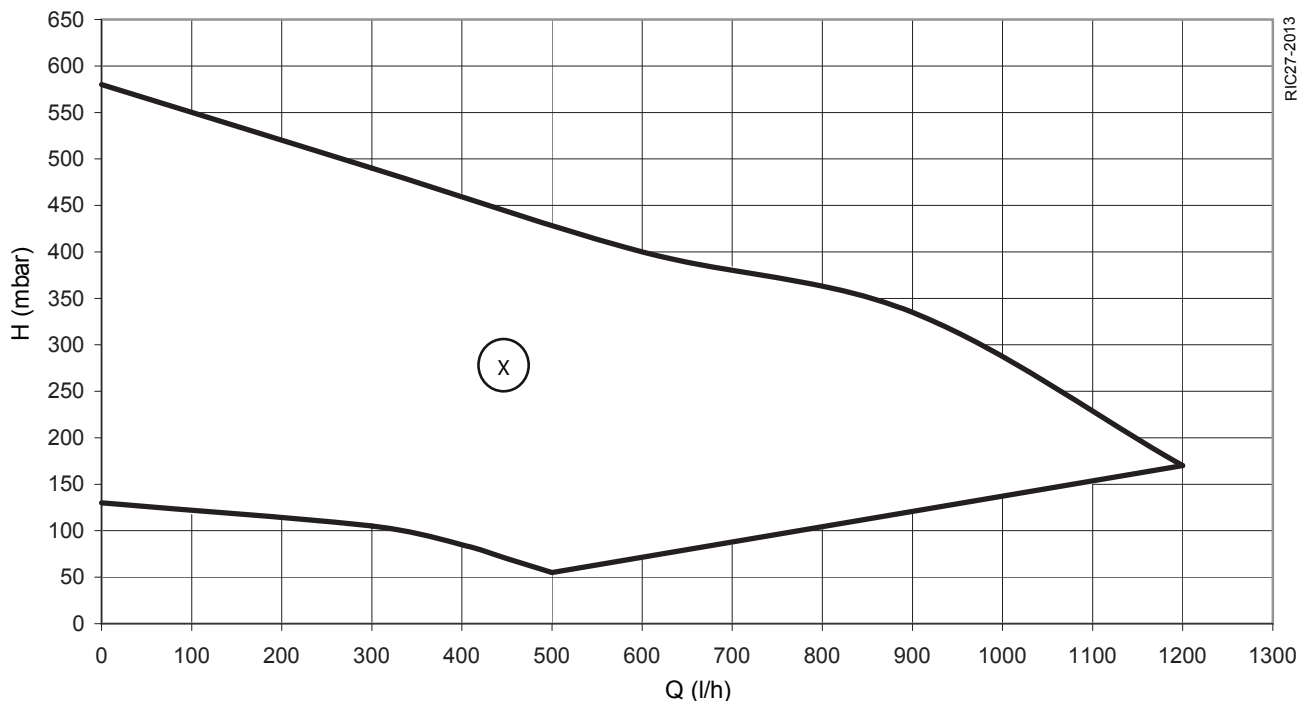


Figure 4-5 – Residual head

### 4.3 - Characteristic curve of the domestic hot water head losses

Each boiler exerts resistance to the passage of domestic hot water (see the flow rate/pressure graph in figure 4-6).

The installer or project technician must take this into consideration in order to guarantee the correct domestic hot water flow rate to the utility.

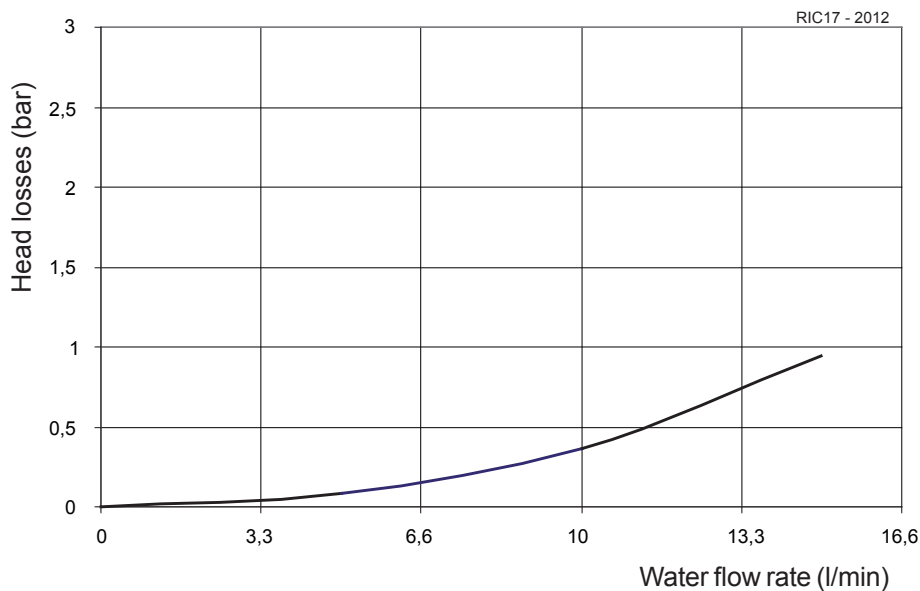


Figure 4-6 – Domestic hot water losses curve

## 5 - INSTALLATION

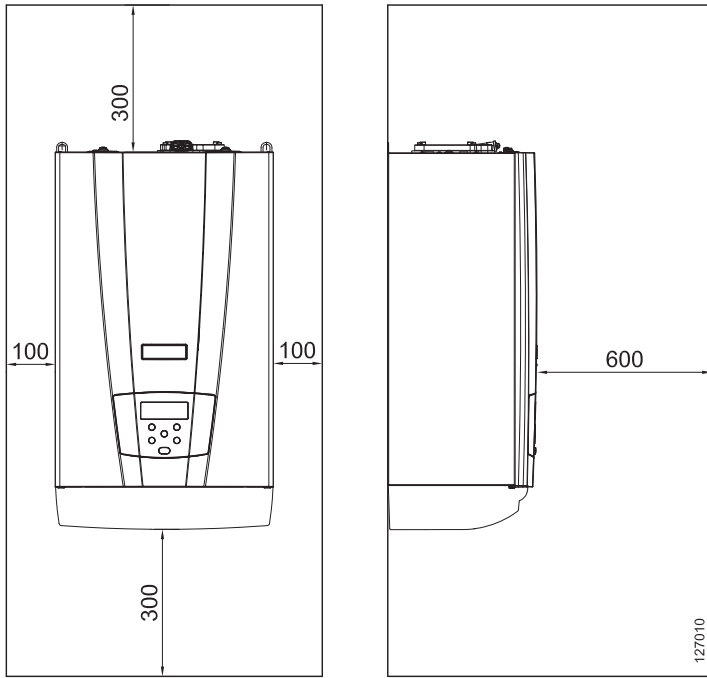


Figure 5-1 – Minimum safety distances

### 5.1 - Opening the package

Take the product out of the cardboard box and remove any protective film.

### 5.2 - Dimensions and minimum distances to be observed

For both installation and maintenance, it is necessary to leave free spaces around the boiler, as shown in figure 5-1.

### 5.3 - Choosing where to install the appliance



**WARNING!** The appliance must be installed exclusively on a solid, vertical wall, which can bear the weight.

The appliance must be installed inside your home, or otherwise protected from atmospheric agents such as rain, wind, sun, and especially freezing.

Choose the room and suitable position for installation, taking into account the following factors:

- connection of the fumes exhaust/air intake pipes;
- connection of the gas supply pipe;
- connection to the water supply;
- connection to the central heating system;
- connection to the domestic hot water system;
- electric connection;
- connection to the drain for the condensate produced by the boiler;
- electric connection of the room thermostat (where applicable);
- connection to safety valve outlet;
- connection to the external temperature sensor (where applicable);

☞ This appliance must be installed in a place where water leakages from the appliance itself, from the joints between the pipes or from any drainage from the safety valve, cannot cause damage to materials or items below it.

### 5.4 - Delivery and return



**WARNING!** This boiler has a safety valve calibrated at 3 bar. Therefore, it must not be installed with a water head over 30 m.



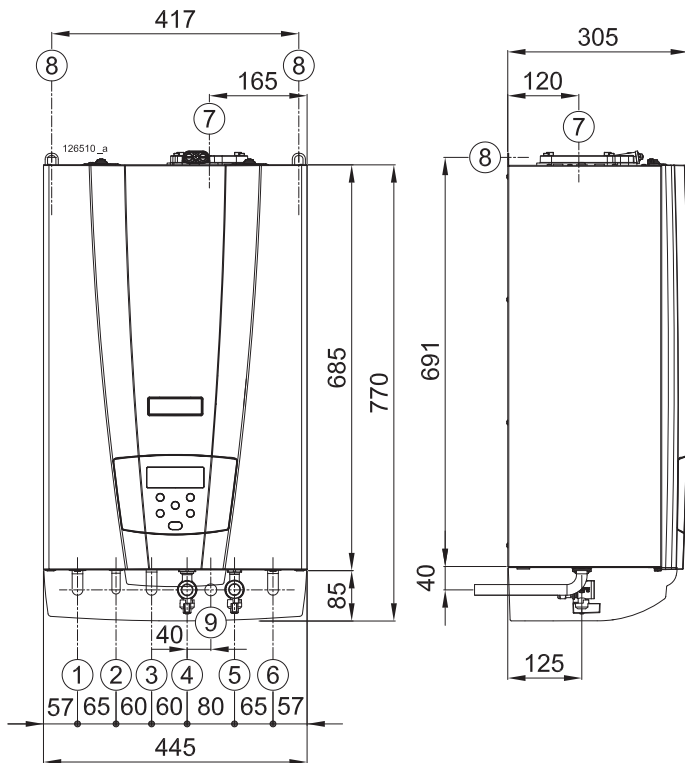
**WARNING!** COSMOGAS is not liable for any damage caused by incorrect use of additives in the central heating system.



**WARNING!** The system after the appliance must be made with materials that resist temperatures up to 95°C and pressure of 3 bar. Otherwise (e.g. with plastic piping), the system must be fitted with the relevant protection and safety devices.

Before connecting the central heating pipes, wash the system thoroughly to eliminate any waste (hemp, radiators casting sand, etc.), which could damage the appliance. This must also be performed if the appliance is replaced.

Figure 5-2 shows the positioning of the supply and return fittings.



- 1 - Central heating supply  
3/4" in the 15 and 24 models  
1" in the 34 model
- 2 - 1/2" DHW output ("P" models only)
- 2 - 3/4" indirect water heater supply ("B" models only)
- 2 - (not in "C" models)
- 3 - 3/4" indirect water heater return ("B" models only)
- 4 - 3/4" gas inlet
- 5 - 1/2" cold water inlet
- 6 - Central heating return  
3/4" in the 15 and 24 models  
1" in the 34 model
- 7 - Fumes exhaust
- 8 - Support attachments
- 9 - Ø20 condensate drain

Figure 5-2 – Boiler dimensions and attachments centre-to-centre distances

## 5 - INSTALLATION

- ☞ Install a metal mesh filter on the return pipe in order to stop any system residues before they return to the boiler.
- ☞ Do not use the appliance to introduce any type of additive into the system.
- ☞ A continuous intake of water into the central heating circuit increases the content of oxygen and limescale, with a risk of corrosion inside the heat exchanger body. This reduces the boiler's lifespan. Any leaks from the central heating circuit must be repaired to prevent the problem.

### 5.5 - Low-temperature systems (or underfloor heating)



**WARNING!** The system after the appliance must be made with materials that resist temperatures up to 95°C and pressure of 3 bar. Otherwise (e.g. with plastic piping), the system must be fitted with the relevant protection and safety devices.



**WARNING!** When installing the boiler in a low-temperature system, set parameters  $\overset{20}{24}$  and  $\overset{2}{11}$  to 45°C and parameters  $\overset{20}{23}$  and  $\overset{2}{10}$  to 20°C (see section 7.16).

With this setting, the boiler will adjust the supply to a temperature between 20°C and 45°C. No adjustment from the command panel (also via climatic adjustment) can supply water at a temperature over 45°C.



**WARNING!** If the boiler is installed in an underfloor system made with plastic piping, all of the necessary precautions must be taken against corrosion due to oxygen in the water:

make sure that the system is made with plastic pipes with oxygen permeability not exceeding 0.1 g/m<sup>3</sup> at 40°C. Should the pipe not meet these characteristics, the radiant panel circuit must be isolated from the boiler, via a plate heat exchanger suitable for resisting the corrosion generated by the oxygen dissolved in the water.

### 5.6 - Domestic hot and cold water



**WARNING!** If water hardness exceeds 25°F, we recommend installing a polyphosphate softener (see section 5.13).



**WARNING!** Install a filter with mesh no wider than 0.5 mm<sup>2</sup> in the domestic cold water inlet.



**WARNING!** The domestic hot water circuit must be made with materials resistant to temperatures of at least 95°C and a pressure of 10 bar. Otherwise (e.g. with plastic piping), the system must be fitted with the relevant protection and safety devices.



**WARNING!** If the appliance is connected to a domestic hot water recirculation circuit, install a safety valve and an expansion tank of a suitable size for managing the natural increase in the volume of water during heating.

In figure 5-2, you can verify the position of the domestic hot and cold water fittings.

Insert a closing cock before the cold water inlet, useful for maintenance work.

Connecting the domestic hot water service is not essential; if the boiler is used for central heating only, connect the cold water pipe to fill the central heating system and close the DHW outlet.

### 5.7 - Gas



**WARNING!** Do not power the appliance with gases other than those specified.



**WARNING!** Check that the gas and supply pressure are those for which the boiler has been adjusted.

Two situations are possible:

A - the gas and supply pressure correspond to the adjustment of the boiler. In this case, it can be connected;

B - the gas and supply pressure do not correspond to the adjustment of the boiler. In this case, the boiler must be converted to the type of gas and supply pressure corresponding to those of the supply available.

The boiler is supplied with the special gas conversion kit.

- ☞ Before installation, clean the inside of the gas supply pipe thoroughly;
- ☞ Install a shut-off cock on the gas supply pipe;
- ☞ To prevent damage to the appliance gas control unit, run a leak test at a pressure not exceeding 50 mbar;
- ☞ If the gas system must be inspected at pressures over 50 mbar, turn the cock positioned immediately before the boiler, to isolate it from the system.

Use figure 5-2 to check the position of the appliance gas fitting. The cross-sections of the pipes in the gas supply system must always guarantee a gas supply that is sufficient to cover the maximum requested.

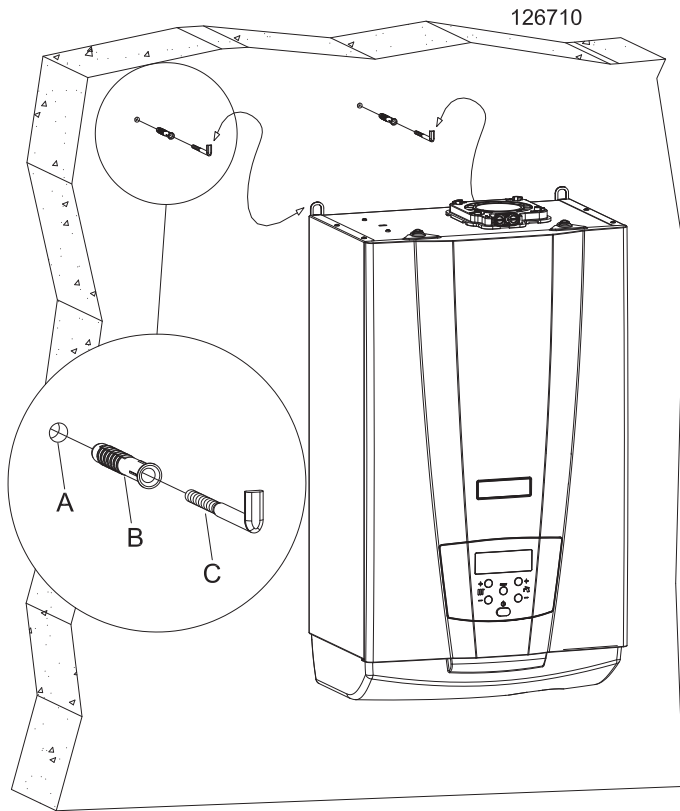


Figure 5-3 – Support plugs

## 5.8 - Unit assembly

Refer to figure 5-3:

- 1.- put the paper template, provided with the appliance, against the wall;
- 2.- check that the template is square;
- 3.- mark the holes for the plugs and hydraulic fittings on the wall;
- 4.- remove the paper template;
- 5.- make the holes "A" and insert the wall plugs "B";
- 6.- make the boiler hydraulic and gas connections;
- 7.- hang the boiler on the plugs "C";
- 8.- make the hydraulic connections.

## 5.9 - Condensate drain

There is a siphon inside the boiler for the evacuation of condensate (see figure 3-2, detail "49") and to prevent combustion products from escaping. The end of the siphon is pipe "F" in figure 5-4. This end must be conveyed into another, anti-odour siphon (figure 5-6, detail "G") to prevent bad odours returning to the environment (the anti-odour siphon "G" is supplied on request).

In particular, the condensate drain system must:

- ☞ be for rooms used for residential purposes and for offices with more than 10 users; it can be connected to the domestic waste disposal plant by means of appropriate siphon with disjunction, capable of preventing the pressurisation of the system (the siphon is inside the boiler) and the return of bad odours from the sewers (detail "G" in figure 5-6). If the room used for office purposes has fewer than 10 users, before up the domestic waste drain, install a condensate neutraliser (see section 9 for the acidity value of the condensate and the quantities).
- ☞ be performed with a pipe with an internal diameter equal to or greater than 13 mm;
- ☞ be installed in such a way as to prevent the liquid from freezing; therefore pay attention to any external sections. It is prohibited to drain into gutters or rainwater drainpipes;
- ☞ slope continuously towards the drain point; avoid high points, which could pressurise the pipe;

## 5.10 - Safety valve

The appliance is protected against overpressures by a safety valve calibrated to 3 bar (see figure 3-1 detail "7"). The safety valve drain must be conveyed to pipe "F" in figure 5-4, which must be then taken to the anti-odour siphon (detail "G", figure 5-6). This drain with a siphon is used to prevent overpressures if the valve is opened, and it allows the user to check intervention. The anti-odour siphon "G" in figure 5-6 is provided on request.



**WARNING!** If the safety valve is not connected to the drain, whenever the valve intervenes, it could cause damage to persons, animals or objects.

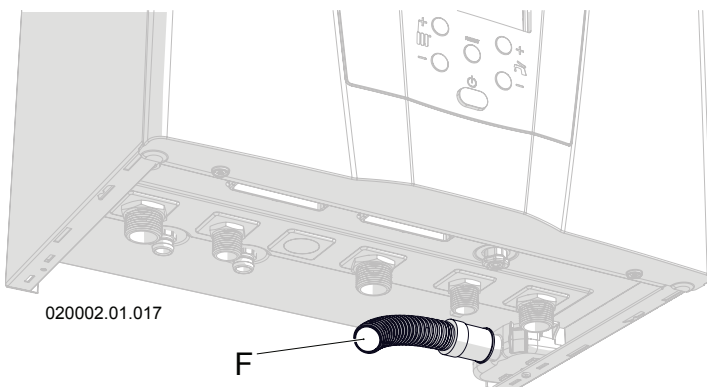


Figure 5-4 – Condensate drain pipe



## 5.11 - Hydraulic and gas connections, and mounting of the lower cover

The boiler is provided with the fittings illustrated in figure 5-5 as standard, where:

- A = central heating supply  
 $\varnothing$  18 in the 15 and 24 models  
 $\varnothing$  22 in the 34 model
- B = domestic hot water  $\varnothing$  14 (absent in the "B" and "C" models)
- C = 3/4" gas inlet cock (EN 331 type-approved)
- D = 1/2" domestic cold water inlet cock
- E = gas  $\varnothing$  18
- F = domestic cold water  $\varnothing$  14
- G = central heating return  
 $\varnothing$  18 in the 15 and 24 models  
 $\varnothing$  22 in the 34 model

Once the hydraulic and gas connections have been made, proceed with assembly of the lower cover "H" as indicated in figure 5-5.

Connections of pipes "A" and "G" on model 34 are 1" size, however, at option of the installer the "A" adaptor can be removed, changing the connection for 3/4". Couplings and raccords "A", "B", "C", "D", "E", "F", "G", in some models could be not supplied by factory.

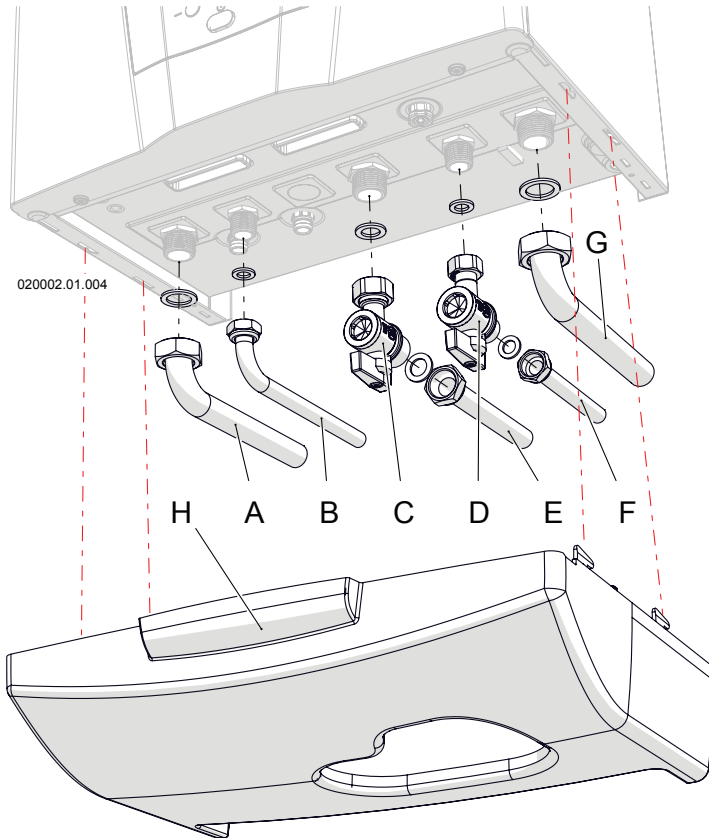


Figure 5-5 – Water and gas connections

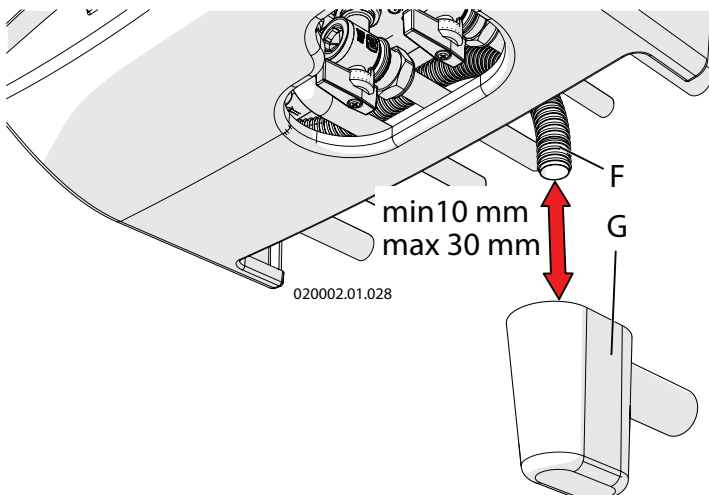
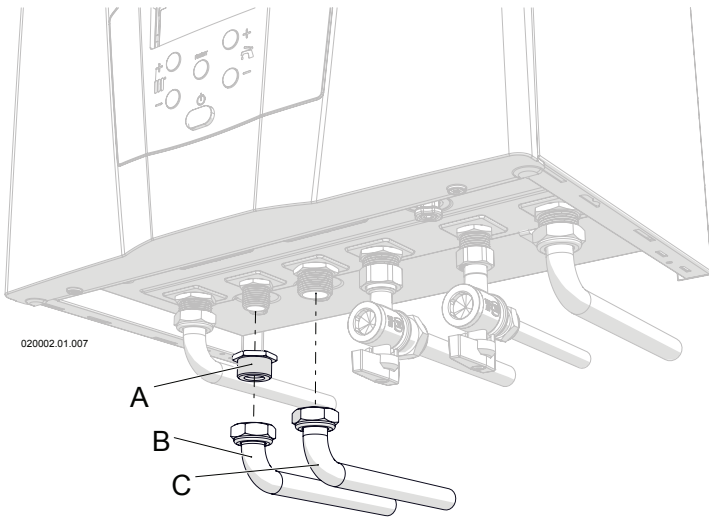


Figure 5-6 – Siphon funnel (on request)



A = reducer fitting  
 B = supply to indirect water heater coil  
 C = return from indirect water heater coil

**Figure 5-7 – Hydraulic connections for boiler with indirect water heater with coil**

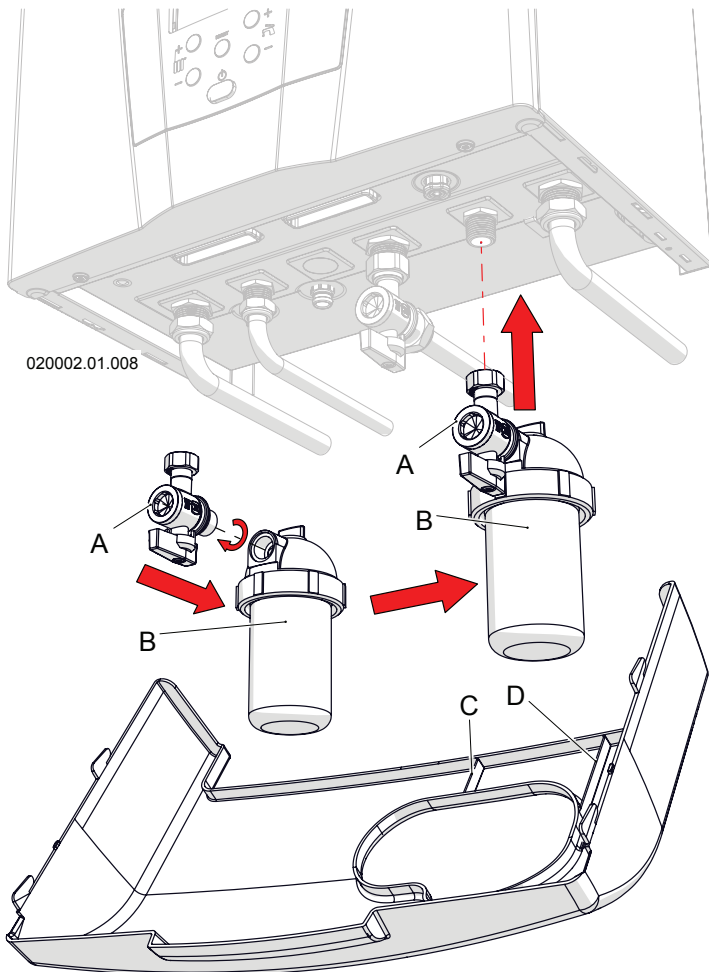
## 5.12 - Hydraulic connections for model -- B boiler

The "B" version of the boiler must be connected to coil-type indirect water heater for the production of domestic hot water (see also section 5.16).

To do this, fittings have been set-up for connection to the indirect water heater. Prepare as follows (refer to figure 5-7):

- 1.- fit the reducer "A";
  - 2.- fit the ducts "B" and "C";
- Make sure that every coupling has its own gasket.

Couplings and raccords "A", "B" and "C" in some models could be not supplied by factory.



**Figure 5-8 – Polyphosphate softener (on request)**

## 5.13 - Polyphosphate softener (on request)

If the boiler is installed in a geographical area where domestic hot water has hardness exceeding 25°F (250 mg/l), a polyphosphate softener must be installed on the cold water supply (see figure 5-8, detail "B"), in order to safeguard the appliance against limescale deposits.

Proceed as follows for installation (refer to figure 5-8):

- 1.- Connect the softener "B" to the cock "A";
- 2.- Mount the cock "A" on the boiler fitting;
- 3.- Proceed with the installation of the cold water inlet pipe on the fitting behind the softener "B";
- 4.- Before refitting the lower cover, trim the entire part between walls "C" and "D", from the outer edge to the central slot (only in the rear part), to allow the softener "B" to be housed.

## 5 - INSTALLATION

### 5.14 - Electrical connections: details



**WARNING!** The appliance is only electrically safe when it has been correctly connected to an efficient earth circuit, performed as provided for by the current safety regulations.

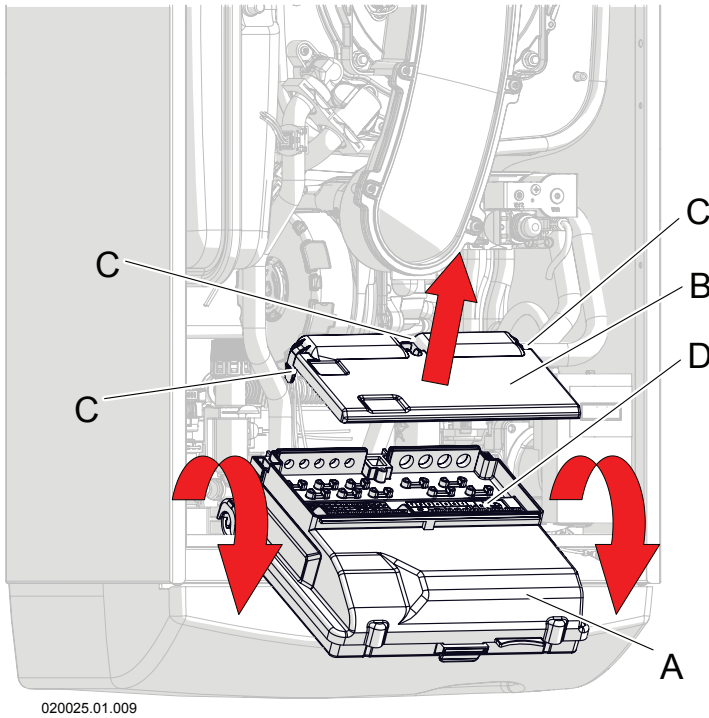
This fundamental safety requirement must be met. If in doubt, request a thorough check of the electrical system by a professionally qualified technician.

- ☞ Have a professionally qualified technician check that the electrical system is suitable for the electric power required by the appliance, as indicated on the plate.
- ☞ The use of adapters, multiplugs, extension leads, etc. is not permitted.
- ☞ The appliance must be connected to the mains electricity using a three-polar electric cable, with double isolation, a minimum section of 1.5 mm<sup>2</sup> and resistance to a minimum temperature of 70°C.

- ☞ For connection to mains electricity, a bipolar switch must be installed near the appliance with a contact opening distance of at least 3 mm, as envisioned by the current sector regulations.
- ☞ Respect the polarity between the neutral and phase wires when connecting the appliance.
- ☞ Make sure that the water system and heating pipes are not used as earth points for the electrical system or telephone lines. This piping is not suitable for this purpose; serious corrosion damage would occur in a very short time to the appliance, piping and radiators.



**WARNING!** The boiler is not protected against the effects caused by lightning.



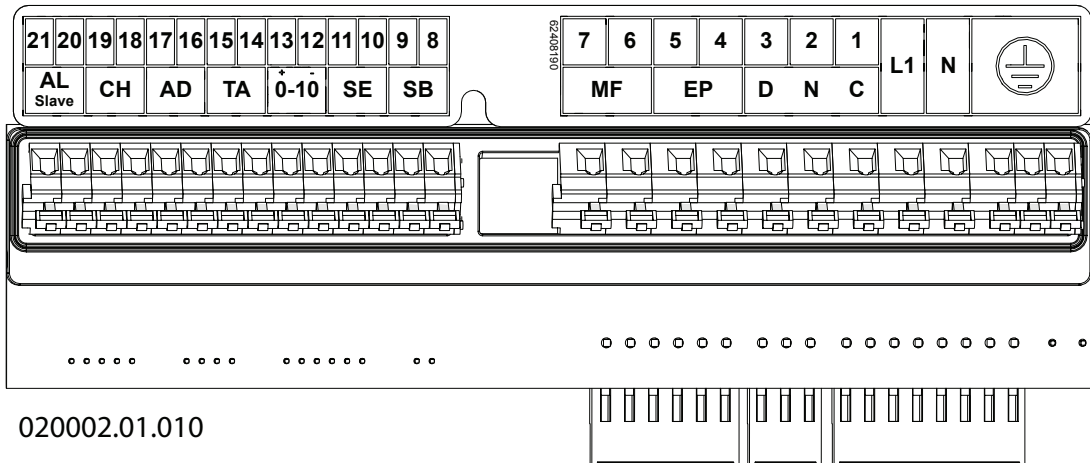
020025.01.009

Figure 5-9 key

- A = Control panel box;
- B = Electrical connections board cover;
- C = Connections cover closing flaps;
- D = Electrical connections board

#### Electrical contacts key

- AL Slave = Slave appliance BUS;
- CH = Cascade probe;
- AD = Master appliance BUS;
- TA = Room thermostat/ chronothermostat/ CR04 remote time control/ Cosmokit
- 0-10 = 0-10 VDC communication;
- SE = External sensor (where present);
- SB = Indirect water heater sensor (where present);
- MF = Alarm output/ Automatic fill;
- EP = External pump (where present);
- DNC = External diverter valve (where present) (D = Domestic hot water line; N = Neutral; C = Heating line)
- L1 = Boiler power supply line
- N = Boiler power supply neutral
- EARTH SYMBOL = Earth contacts



020002.01.010

Figure 5-9 – Electrical connections

## 5 - INSTALLATION

### 5.14.1 - Connecting the power supply cable

Proceed as follows to connect the power supply cable (refer to figure 5-9):

- 1.- Use a triple-pole dual-insulation cable, with a minimum cross-section of 1.5 mm<sup>2</sup>;
- 2.- Remove the casing from the appliance, following the relevant instructions in section 8.3;
- 3.- Rotate panel "A" towards the front of the boiler;
- 4.- Use the flaps "C" and open the lid "B" as indicated by the arrow;
- 5.- Lay the power supply cable through the fairlead near the contacts "L1", "N" and the earth symbol;
- 6.- Strip the cable, making sure that the earth wire (yellow/green) is kept 20 mm longer than the other two;
- 7.- Connect the yellow/green cable to the earth terminal (see symbol);
- 8.- Connect the brown cable (Phase) to terminal L1;
- 9.- Connect the blue cable (Neutral) to terminal N.

### 5.14.2 – Choosing the room thermostat/ chronothermostat

The boiler is set up to operate with any room thermostat or chronothermostat which has the contact to which the cables from the boiler can be connected, with the following features:

- open/closed (ON/OFF);
- potential-free (not powered);
- closing, when there is a request for heat;
- 24VAC, 1A.

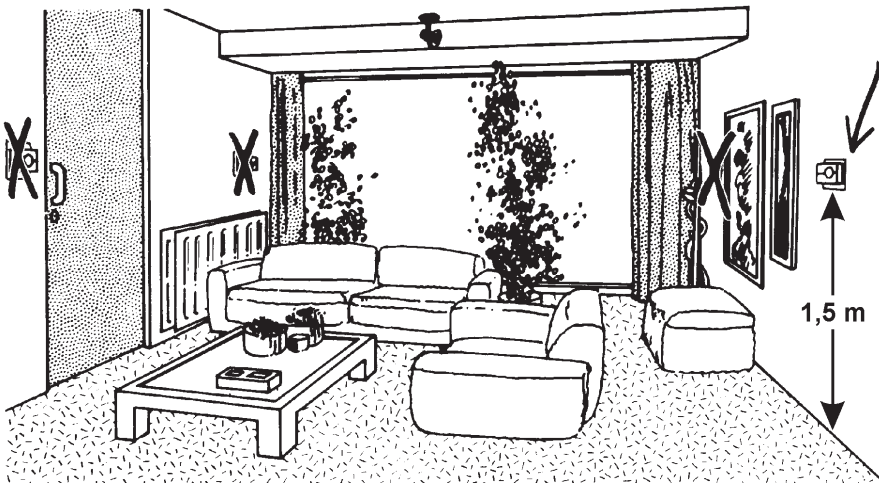


Figure 5-10 – Correct positioning of the room thermostat/ chronothermostat

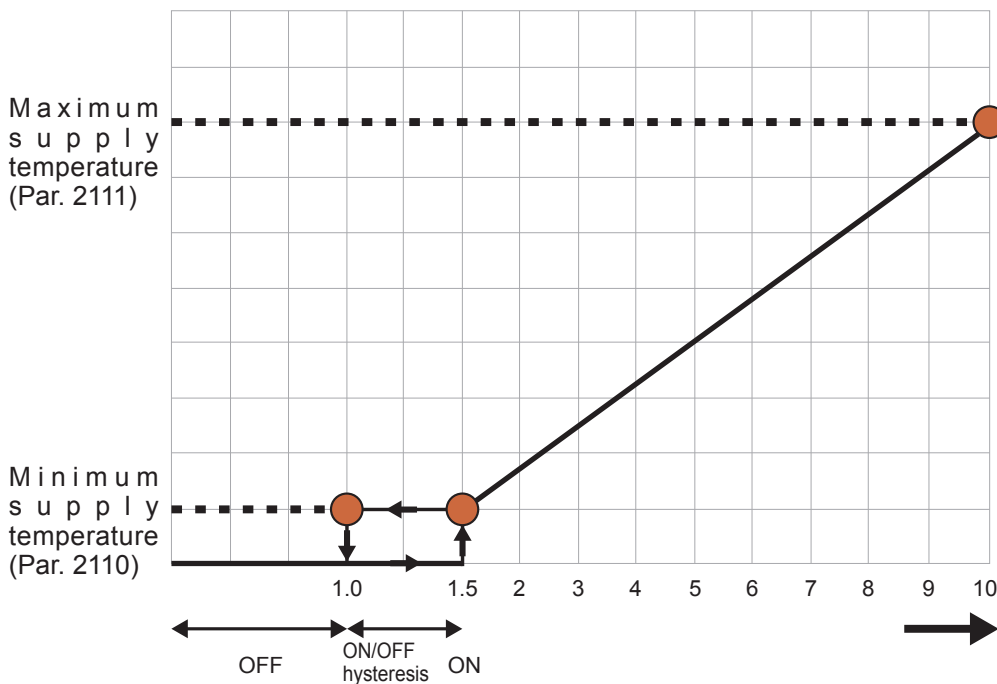


Figure 5-11 – Operating rules for 0-10 VDC analogue input

## 5 - INSTALLATION

### 5.14.3 - Connecting the room thermostat/chronothermostat

Install the room thermostat in a place in the house where the temperature is the most characteristic of the home and, however, in an area that is **not** subjected to repeated temperature changes, away from windows or doors which open directly to the outside (see figure 5-10).

Proceed as follows to connect the room thermostat cable (refer to figure 5-9):

- 1.- Use a bipolar cable, with a minimum cross-section of 1.5 mm<sup>2</sup>, from the appliance to the room thermostat/chronothermostat; The maximum length allowed is 20 metres. For lengths exceeding 100 metres, use a shielded cable with shield earthing;
- 2.- Remove the casing from the appliance, following the relevant instructions in section 8.3;
- 3.- Lay the electric cable through the fairlead near the "TA" contacts;
- 4.- Use a free fairlead, not used by other wires;
- 5.- Strip the cable;
- 6.- Connect the two ends of the cable to the "TA" clamps (see figure 5-9).



**WARNING! As the room thermostat/chronothermostat cables are subjected to a very low safety voltage (24 VDC), they must flow in wires different from the 230 VAC power supplies.**

### 5.14.4 - CR04 remote time control (on request)

The CR04 remote time control, is a room thermostat capable of interacting with the boiler, adjusting the room temperature in a modulating manner and not by steps. This device is a real heat regulator capable of operating with the outside temperature sensor and, therefore, of adjusting the room temperature in an optimum manner.

Install the CR04 remote control in a place in the house where the temperature is the most characteristic of the home and, however, in an area that is **not** subjected to repeated temperature changes, away from windows or doors which open directly to the outside (see figure 5-10). In order to connect the remote control, proceed as follows (refer to figure 5-9):

- Use a bipolar cable, with a minimum cross-section of 1.5 mm<sup>2</sup>, from the appliance to the CR04 remote control; The cable must also be shielded. The shield must be connected to the earth from the side of the appliance. The maximum length permitted is 100 metres;
- remove the casing and access the junction box (see section 8.3);
- connect the two cable ends to the boiler terminals "14" and "15" (see figure 5-9 "TA").
- connect the other two ends of the cable to the terminals on the remote control (follow the instructions in the CR04 manual).



**WARNING!**  
**As the CR04 remote control cables are subjected to a very low safety voltage (24 VDC), they must flow in wires different from the 230 VAC power supplies.**

Once the CR04 remote control has been connected, all the room temperature adjustments and domestic hot water temperature operations must be carried out directly on the remote control. Remember to follow the instructions in the CR04 remote control manual carefully.

### 5.14.5 - Installing the external temperature sensor (on request)

Install the external temperature sensor outside the building on a wall facing NORTH or NORTH-EAST, at a height of between 2 metres and 2.5 metres from the ground. For buildings with several floors, it must be installed at about half way up the second floor. Do not install it above windows, doors or ventilation outlets or directly below balconies or gutters. Do not plaster over the external temperature sensor. Do not install the sensor on walls without eaves, i.e. where not protected from rain.

Where the sensor is installed on a wall that has yet to be plastered, it must be installed with a suitable thickness or be removed before plastering.

Proceed as follows to connect the external temperature sensor cable:

- 1.- Lay a bipolar electric cable with a minimum cross-section of 1.5 mm<sup>2</sup>, which goes from the boiler to the external temperature sensor. The maximum length allowed is 20 metres. For other lengths up to 100 metres, use a shielded cable with shield earthing.




**WARNING! As the cables are subjected to a very low safety voltage (24 VDC), they must flow in wires different from the 230 VAC power supplies.**

- 2.- Connect the bipolar cable to the "SE" clamps in figure 5-9;
- 3.- Connect the bipolar cable to the ends of the external temperature sensor.

Set the boiler to learn from the external temperature sensor as follows:

- 1.- Access the "Installer" profile as detailed in section 7.16;
- 2.- Set parameter  $2001$  to  $1$  or  $2$  (see section 7.16) according to the type of climatic adjustment desired (see section 7.10);


To confirm that the external sensor has been enabled, the  icon shows on the display.

Proceed with the steps given in section 7.10.3 to set the correct adjustment values for the supply temperature, according to the external temperature.

### 5.14.6 - 0-10 VDC type dialogue

The appliance be controlled via 0-10 VDC dialogue by proceeding as follows:

- 1.- Access the "Installer" profile as detailed in section 7.16 and set parameter  $2001 = 4$ ;
- 2.- Now the boiler can be controlled via the 0-10 VDC signal according to the rules shown in figure 5-11;

 Opening the TA contact has priority over the 0-10 V signal.

### 5.14.7 - Alarm contact

The alarm contact closes whenever the appliance shows an error or locks.

## 5 - INSTALLATION

### 5.15 - Connecting appliances in a cascade

This appliance can be connected in a cascade including up to a maximum of 8 devices. The hydraulic connection diagram is shown in figure 5-12. Other types of hydraulic connections can be performed (ask the manufacturer for the reference diagrams). The cascade is managed by the motherboard in the device that will be defined here and then referred to as the "Master". To connect the appliances in a cascade, proceed as follows:

- 1 - Set up the hydraulic installation as shown in figure 5-12;
- 2 - Set up the electrical installation as shown in figure 5-13;
- 3 - Access the appliance where the cascade probe has been connected; this will be the one closest to the hydraulic separator. Set parameter 4184 = 1 (logical address of the communication bus) and set parameter 4147 to the total number of appliances installed in the cascade (including the "Master");

4 - On the "Master" unit, check that switch "S4" is in the ON position (see figure 5-13);

- 5 - Access the next appliance which will become the first "Slave" and set parameter 4184 = 2 (logical address of the communication bus). Make sure that parameter 2001 is "0";
- 6 - On the "Slave" unit, move switch "S4" to the OFF position (see figure 5-13);

7 - Access each of the following appliances, repeating the instructions in points 5 and 6 above. Parameter 4184 must be increased by one unit for each additional appliance.

☞ When the slave appliance is correctly connected to the master, the radiator symbol ("E", figure 7-1) disappears from the display.

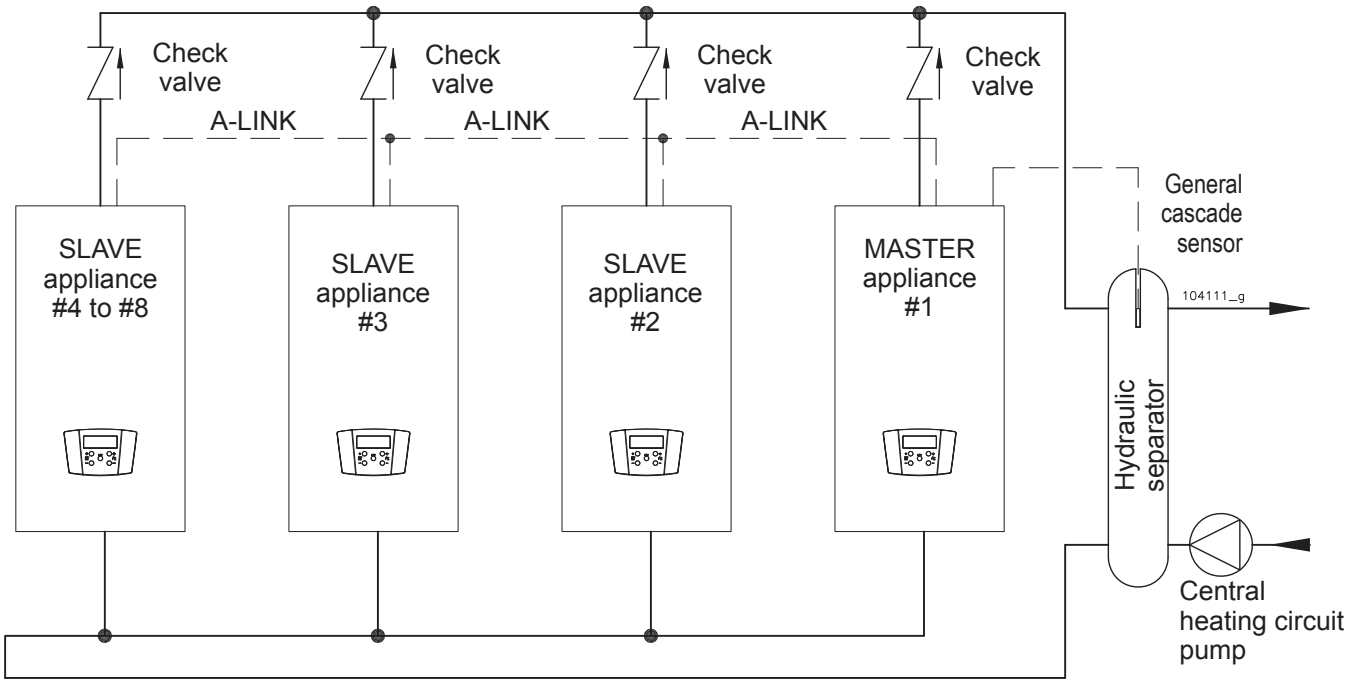


Figure 5-12 – Concept diagram: connecting appliances in a cascade

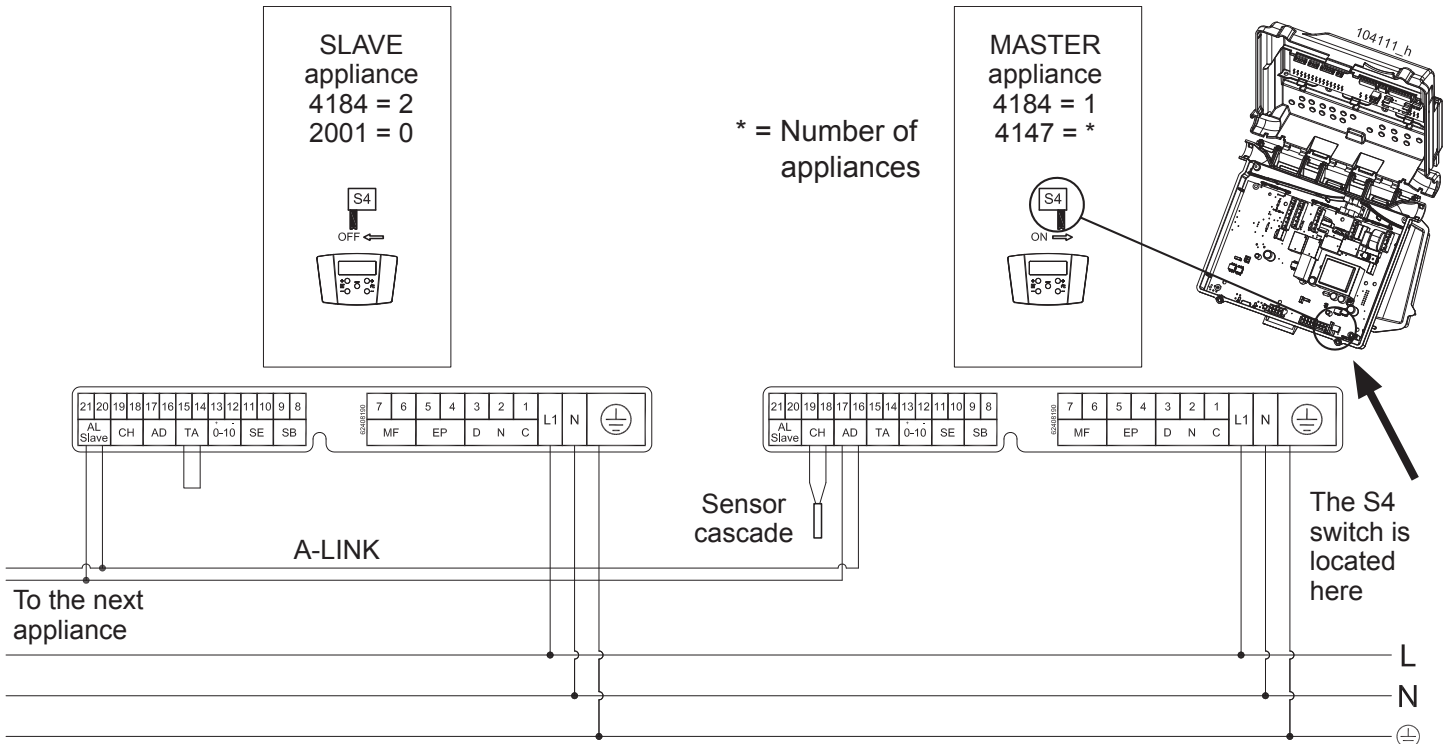
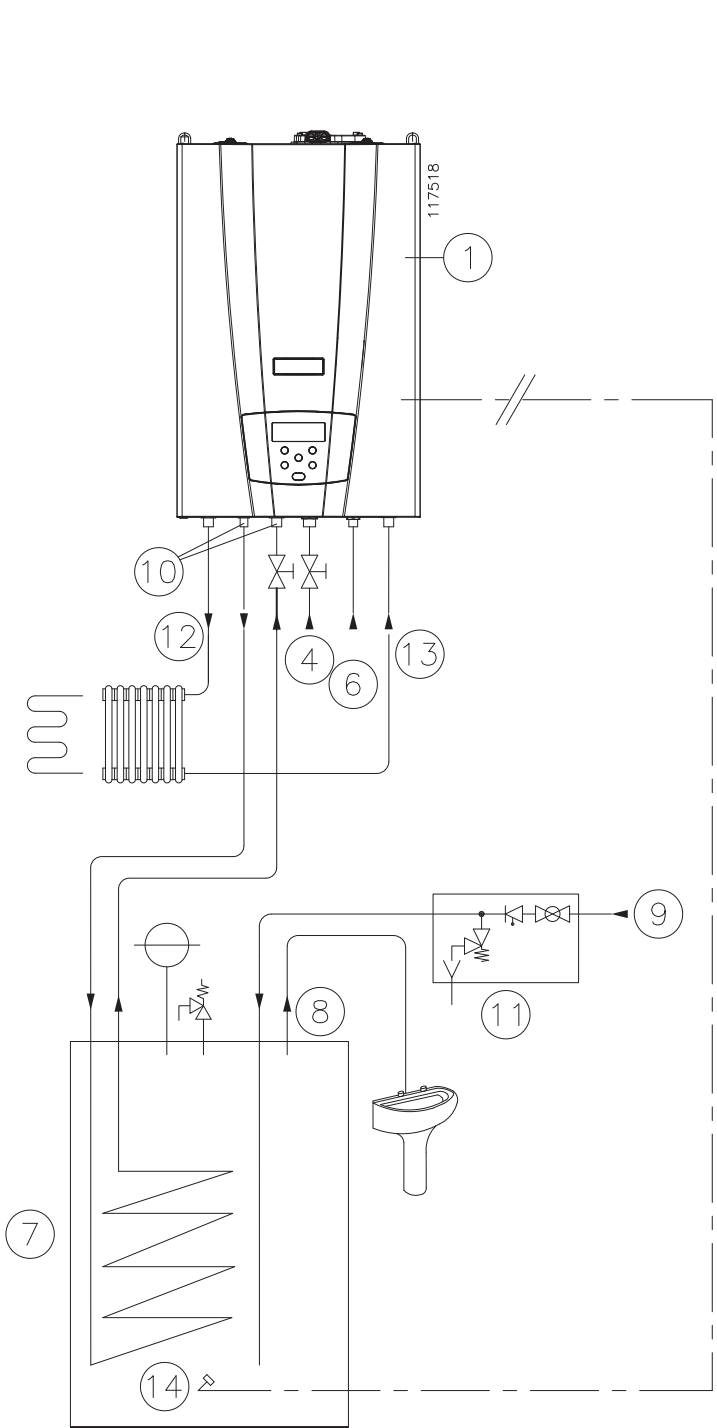


Figure 5-13 – Wiring diagram for appliances in a cascade



- 1 - Appliance model -- B
- 2 -
- 3 -
- 4 Gas supply
- 5 -
- 6 Filling the central heating system (installer's duty)
- 7 Generic indirect water heater with coil
- 8 Domestic hot water outlet
- 9 Cold water inlet
- 10 Supply and return for indirect water heater filling
- 11 Hydraulic safety unit (installer's duty)
- 12 Supply to the central heating system
- 13 Return from the central heating system
- 14 Indirect water heater temperature probe (standard for mod. "B" only)

Figure 5-14 – Hydraulic connection to indirect water heater with coil

**5.16 - Connecting the boiler to indirect water heater with coil**

Only the MYDENS -- B model boilers can be connected to an indirect water heater with coil.

The hydraulic connections must be made as per figure 5-14 (see also section 5.12).

Proceed as follows for the electric connections (refer to figure 5-9):

- 1.- Disconnect the electric power supply from the appliance;
- 2.- Lay a bipolar electric cable with a minimum cross-section of 1.5 mm<sup>2</sup>, which goes from the appliance to the indirect water heater temperature sensor and connect it to the boiler on clamps "8" and "9" (SB);
- 3.- Connect the other end of the cable to the indirect water heater temperature sensor;
- 4.- Insert the temperature sensor probe inside the indirect water heater sample point (see figure 5-14, detail "14").
5. - Set parameter 2035 to 1;
- 6.- Set parameter 2038 to 10;

The MYDENS -- C model boiler can be connected to an indirect water heater with coil also after installation. In this case, a diverter valve must be installed external to the appliance.

The temperature of the water stored inside the indirect water heater can be selected by the user from a range of between 40°C and 60°C.

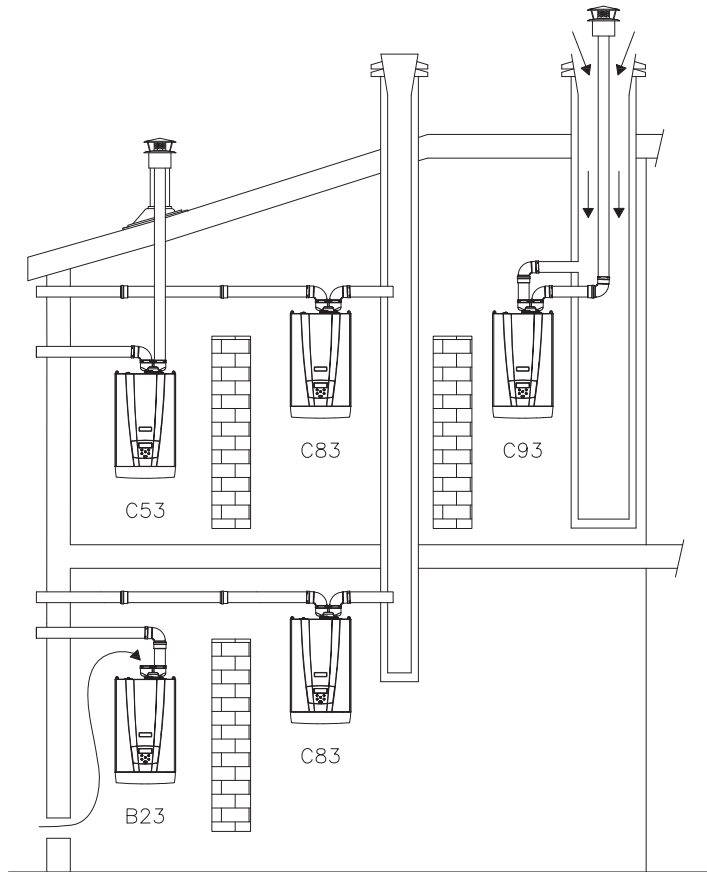
**WARNING!** A hot water temperature level exceeding 51°C may cause permanent injury/damage to persons, animals and objects. In particular, protect children, the elderly and people with disabilities against any possible risks of scalds, by inserting devices that limit the usage temperature of the DHW to users.

**5.16.1 - Anti-legionella**

If the boiler is connected to an indirect water heater for the preparation of domestic hot water, a disinfection cycle is used against legionella bacteria. This cycle involves bringing the indirect water heater to 60°C (temperature at which the legionella bacteria dies), 2 hours after the appliance was connected to the power supply and at least every week. It is for this reason that the water may (at certain times) reach the utilities at a higher temperature than that set with the relevant command.

**WARNING!** A hot water temperature level exceeding 51°C may cause permanent injury/damage to persons, animals and objects. In particular, protect children, the elderly and people with disabilities against any possible risks of scalds, by inserting devices that limit the usage temperature of the DHW to users.

5.17 - Burned gas exhaust and combustion agent air intake pipe



**WARNING!** To connect the burned gas exhaust and combustion agent air intake, the relevant national and local regulations must be respected.



**WARNING!** The fumes from this appliance can reach 90°C in certain conditions. Therefore, use pipes in plastic that can resist high temperatures.



**WARNING!** This appliance is a “condensing” boiler. Use AISI 316L stainless steel materials or polypropylene plastic materials to make the fumes exhaust so as to prevent corrosion due to the acidity of the condensate.

Please remember that appliances of this type must have exhaust and intake pipes supplied by the manufacturer of the appliance itself. Other types of pipes, if used, must be type-approved for this intended use.

The types of exhaust for which the appliance is approved are given in the technical features table at the end of the manual under the “type” heading and on the data plate on the boiler, also under the “type” heading.

The symbols used to define the type of exhaust are given below:

- B23 and B23P, separated with intake in room and exhaust through wall or roof.



**WARNING!** If the appliance is installed with a B23 or B23P exhaust, it will take in air for combustion from the surrounding environment. Therefore, all precautions must be taken regarding ventilation of the rooms as prescribed by the national and/or local regulations.

- C13, coaxial in vertical wall

- C33, coaxial at the roof

- C43, separated with exhaust in flue, combined with intake in common channel.



**WARNING!** The appliances installed in type C43 must only be connected to natural-draught flues.

- C53, separated with exhaust on roof and intake on wall, or in two potentially different pressure points.

- C63, the appliance can be fitted to type-approved exhaust and intake pipes made by other brands.



**WARNING!** With C43 and C63 exhausts, the condensate coming from the chimney cannot be conveyed into the boiler. The boiler cannot have the air intake and fumes exhaust on opposite walls of the building.

- C83, separated with wall intake or another point independent from the intakes of other appliances, and flue exhaust.

- C93, separated with exhaust on roof and intake in pre-existing channel.

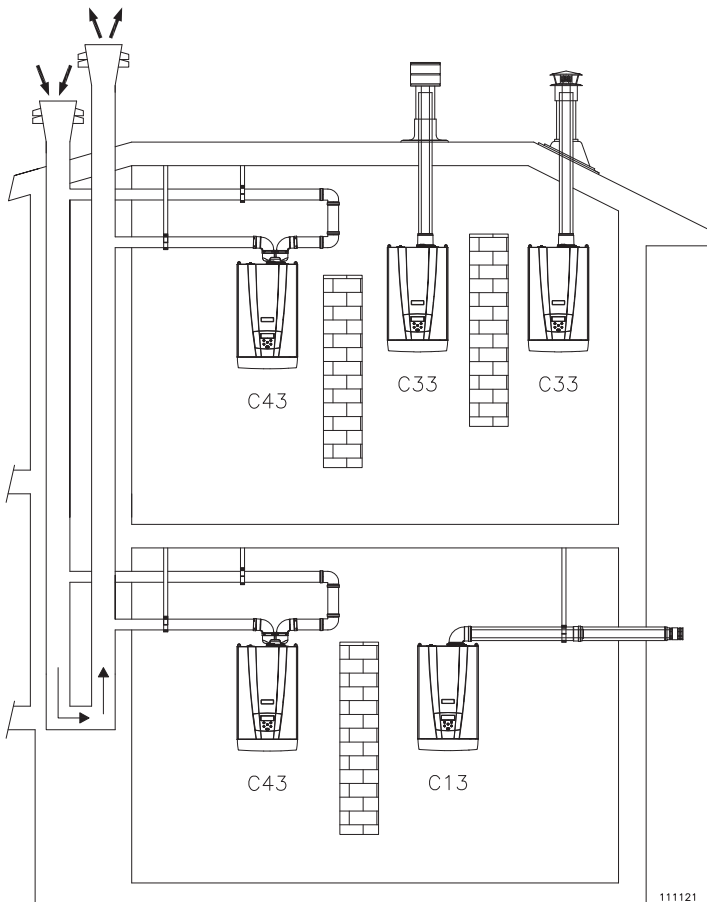


Figure 5-15 – Exhaust/intake systems



## 5 - INSTALLATION

During operation, especially in winter, it is possible that white smoke may emerge from the boiler's flue gas outlet because of its high performance. This is a natural phenomenon and is not a cause for concern. It is the water vapour in the fumes which condensates when it comes in contact with the outside air.

### 5.17.1 - Type of intake/exhaust B23 and B23P

In the case of B23 and B23P type combustion agent air intake/fumes exhaust systems, it is essential that the rooms in which the appliances are installed have at least as much air as is required for combustion and ventilation of the room. It is therefore useful to remember that the combustion of 1 m<sup>3</sup> of gas requires 11 cm<sup>3</sup> of air.

The natural flow of air must take place directly through permanent openings made in the outside walls of the room to be ventilated. However, these must be away from sources of pollution, such as vents of dubious origin, airborne industrial exhausts, etc.

The ventilation openings must meet the following requirements:

- ☞ cross-sections with net passage of at least 6 cm<sup>2</sup> for every kW of heat input installed, with minimum of 100 cm<sup>2</sup>;
- ☞ constructed in a way that the opening inlets both inside and outside the wall cannot be blocked;
- ☞ be protected, for example with grids, mesh, etc. The net passage cross-section must not be reduced by these systems;
- ☞ be positioned at a height near to floor level and in such a way as not to cause any problems with the operation of the combustion product exhaust devices; where this position is not possible, the cross-section of the ventilation openings must be increased by at least 50%.

The air flow can also be obtained from an adjoining room provided that:

- ☞ it has direct ventilation, in compliance with the points above;
- ☞ in the room to be ventilated, only appliances fitted to exhaust pipes are installed;
- ☞ the adjacent room is not a bedroom;
- ☞ the adjacent room is not a communal part of the building;
- ☞ the adjacent room is not an environment with fire hazards such as hangars, garages, warehouses for combustible materials, etc.;
- ☞ the adjacent room does not have a negative pressure with respect to the room to be ventilated due to reverse draught (which can be caused by another appliance operating with any type of fuel in the same room, or a fireplace or any other intake device for which an adequate air intake has not been provided for);
- ☞ the flow of air from the adjacent room to the room to be ventilated can take place freely through permanent openings, with a total net cross-section not less than that indicated at the start of this section.

In rooms where gas appliances are installed, it may become necessary to evacuate stale air, as well as introducing combustion agent air, the result being the release of an additional equal amount of clean air.

If the stale air is evacuated with the aid of a mechanical tool (electric fan), the following conditions must be respected:

- a) if there is a common exhaust pipe in the room that is not in service, it must be capped;
- b) the ventilation opening in the room in which the gas appliance is installed must be increased, depending on the maximum air flow rate required at the electric fan.
- c) the action of the electric fan must not affect the correct evacuation of the combustion products. Check all of the above running a draught test. Run the fan or extractor hood at its maximum power and the gas appliance at the maximum and minimum power.

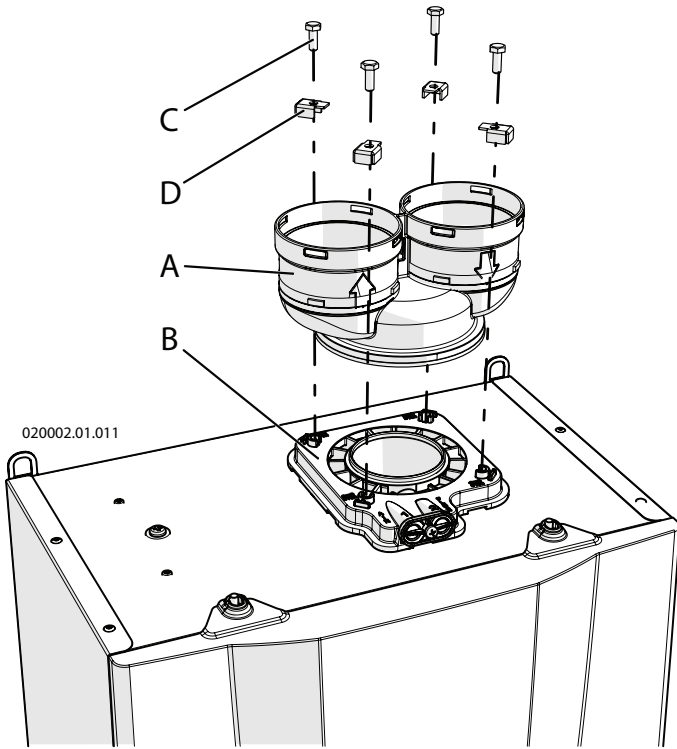


Figure 5-16 – Installation of the “80/80PP Split” system

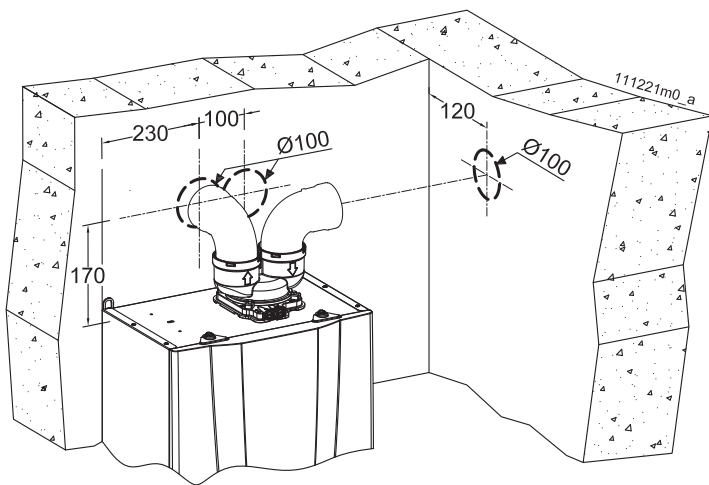


Figure 5-17 – Pre-installation centre-to-centre distances

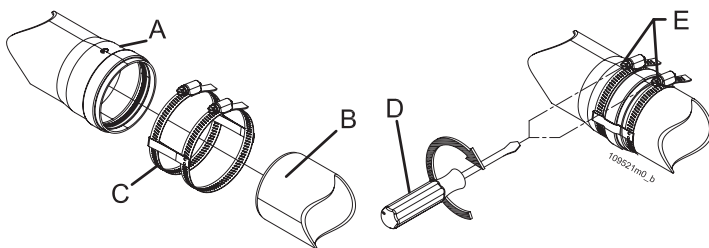


Figure 5-18 – Fixing the exhaust and intake pipes

## 5.17.2 - “Split 80/80PP” system (polypropylene) (type C43; C53; C83; C93)

The appliance is supplied as per standard without fittings to connect the fumes exhaust/air intake. To connect the boiler to a “80/80PP Split” system, the relevant kit must be requested and must be installed as in figure 5-16. Fitting “A” can rotate freely 360°, guaranteeing optimum installation versatility.

- ☞ In the fumes exhaust side, it is recommended to install AISI 316L stainless steel or polypropylene pipes, which are more resistant to the formation of condensate.
- ☞ Take particular care with the installation of pipes in the part that passes through the wall to the outside. The normal maintenance operations must always be possible; therefore, install the pipes in a sheath so that they can be slid out.
- ☞ The horizontal tracts must always have an inclination of at least 2% towards the condensate drain device.
- ☞ The boiler is already set up with a condensate collector, which must be fitted to a drain pipe (see section 5.9).

**! WARNING!** This condensate drain is designed to drain away all of the liquid produced by a single appliance. If more than one boiler is installed, each boiler should be provided with its own condensate drain.

The fumes exhaust/air intake system can be extended up to a maximum distance as indicated in section 9. Every 90° bend has a loss equivalent to the value in section 9. Every 45° bend has a loss equivalent to the value in section 9.

**! WARNING!** The fumes exhaust terminal must be appropriately protected against the effects of the wind (see also section 7.17.1 error Loc 22).

**! WARNING!** Mechanically secure the joints between the various component elements of the exhaust and intake pipe, through the use of fixing systems or equivalent systems. See figure 5-18

**! WARNING!** The temperature of the exhaust pipe can reach 90°C during operation. If the pipe passes through walls that are sensitive to these temperatures, insert a protective heat-insulating sheath.

**! WARNING!** If the air intake and fumes exhaust terminals are positioned on the same wall, they must remain at a minimum distance of 1 metre.

**! WARNING!** The exhaust and intake pipes must be appropriately sustained via rigid brackets positioned no more than 1 metre from each other. The brackets must be fixed to rigid walls that can support the weight of the pipe itself.

### 5.17.3 - "Split 80/80PP" system (type C43; C53; C83; C93): accessories available

To make the "80/80PP split" fumes exhaust/air intake system, we propose some of the most common accessories available; remember that a wide range can be consulted in the relevant catalogue:

(the number after the code refers to the piece in the diagrams that follow)

62617306 - N° 10 PP coaxial roof terminal

62617244 - N° 12 M/F PP 90° bend

62617255 - N° 29 valley for pitched roofs from 15° up to 25°

62617236 - N° 11 M/F PP extension

62617249 - N° 18 PP anti-slip bands for extensions

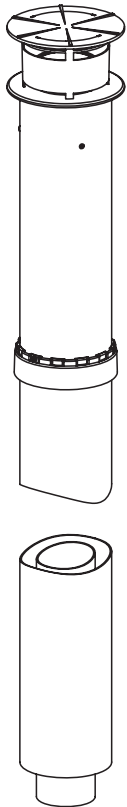
62617240 - N° 14 M.F. PP L=20m hose

62617241 - N° 16 spacer for hose

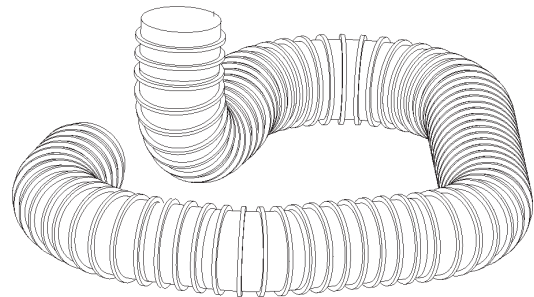
62617238 - N° 17 PP telescopic joint

62617242 - N° 15 PP T-fitting

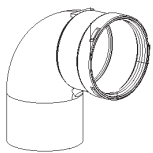
62617246 - N° 13 M/F PP 45° bend



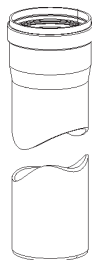
62617306



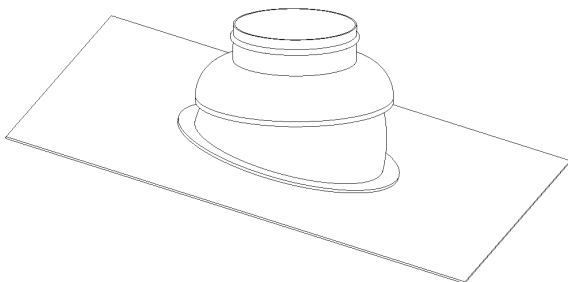
62617240



62617244



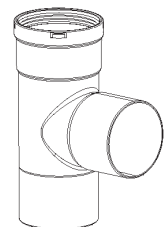
62617236



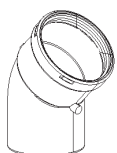
62617255



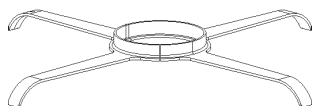
62617238



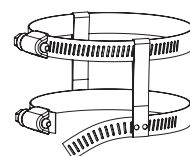
62617242



62617246



62617241



62617249

## 5.17.4 - "Split 80/80PP" system (type C43; C53; C83; C93): installation examples

In figure 5-19 two installation examples are given:

- exhaust in chimney with condensate collection inside the boiler itself.

The horizontal part of the fumes exhaust side must be inclined towards the boiler.

The intake must slope towards the outside to prevent rain water entering.

- exhaust on the outside, directly via the boiler pipes with condensate collection inside the boiler itself.

The intake must slope towards the outside to prevent rain water entering.

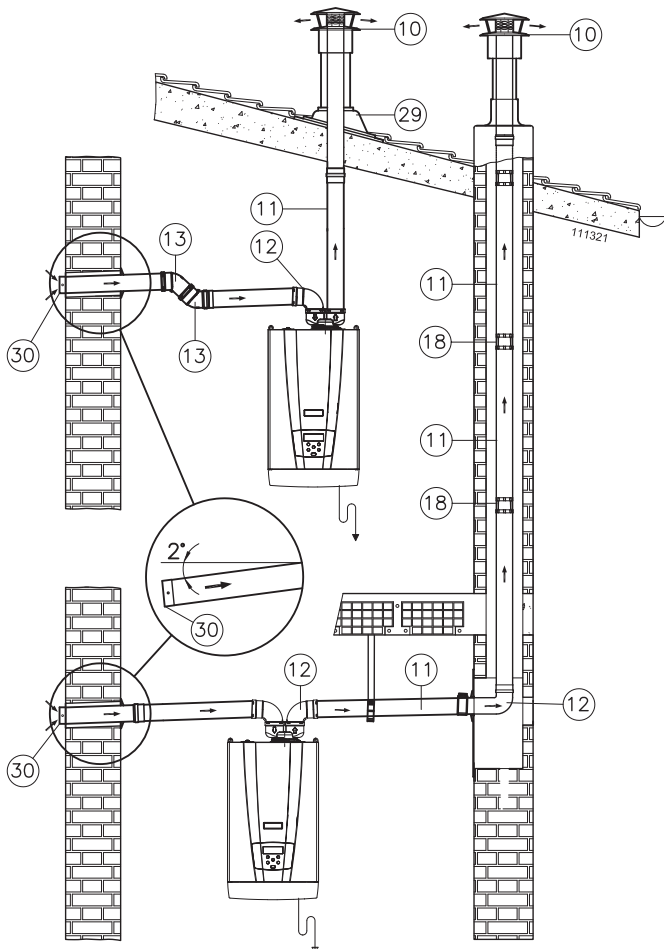


Figure 5-19 – Example of "80/80 PP system" installation

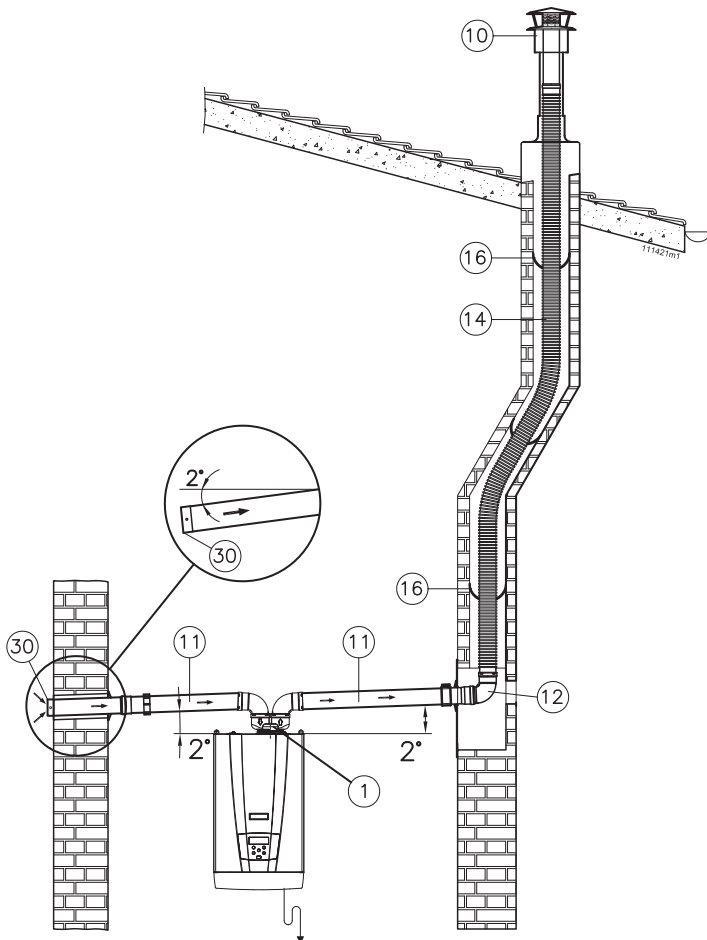


Figure 5-20 – Example of "80/80 PP system" installation

See figure 5-20 for a separated fumes exhaust set-up, where the exhaust is made from a polypropylene hose for piping the technical cells.

The condensate produced in the vertical pipe must all be conveyed into the boiler.

The intake must slope towards the outside to prevent rain water entering.

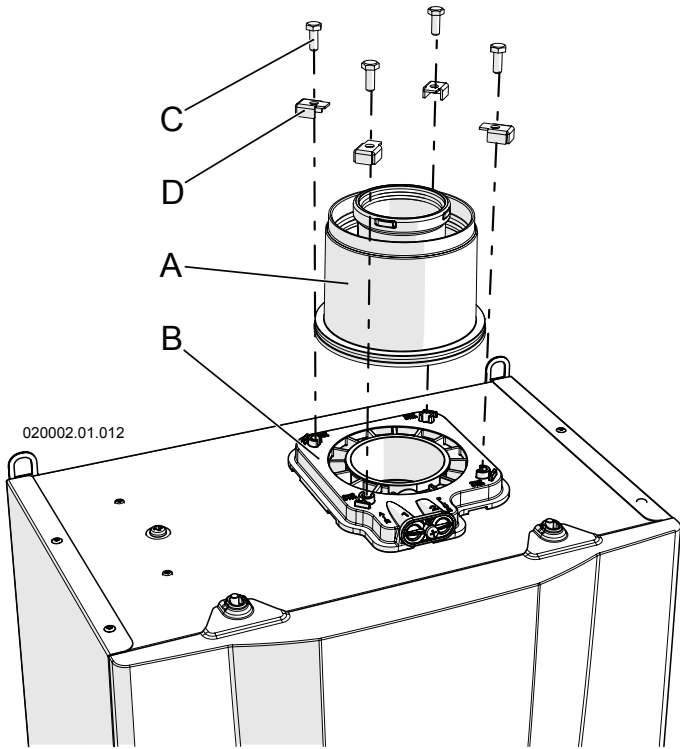


Figure 5-21 – Installation of vertical coaxial system

## 5.17.5 - “60/100PP vertical coaxial” system (polypropylene) (type C13; C33)

The appliance is supplied as per standard without fittings to connect the fumes exhaust/air intake. To connect the boiler to a 60/100 vertical coaxial system, the relevant kit must be requested and must be installed as in figure 5-21.



**WARNING!** Scrupulously follow the installation phases of the coaxial pipe as illustrated in figure 5-23. In particular:

- 1.- Introduce coaxial pipe “C” inside the bend “A”;
- 2.- Fix the external pipe using the stainless steel self-threading screws “B”.



**WARNING!** The coaxial exhaust and intake pipes must be appropriately sustained via rigid brackets positioned no more than 1 metre from each other. The brackets must be fixed to rigid walls that can support the weight of the pipe itself.



**WARNING!** Once these operations have been performed, check that the exhaust/intake terminal is exposed to the outdoors with the tolerances given in figure 5-27

☞ Take particular care with the installation of pipes in the part that passes through the wall to the outside. The normal maintenance operations must always be possible; therefore, install the pipes in a sheath so that they can be slid out.

☞ The horizontal tracts must always have an inclination of at least 2% towards the boiler.

☞ The fumes exhaust/air intake pipe can be extended up to the maximum distance indicated in the table in section 9 at the end of the manual. Every 90° bend has a loss equivalent to the value in section 9. Every 45° bend has a loss equivalent to the value in section 9.

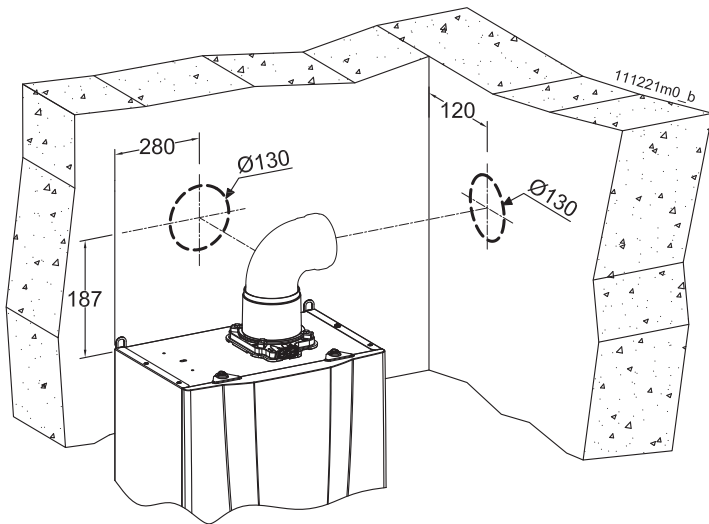


Figure 5-22 – Pre-installation centre-to-centre distances

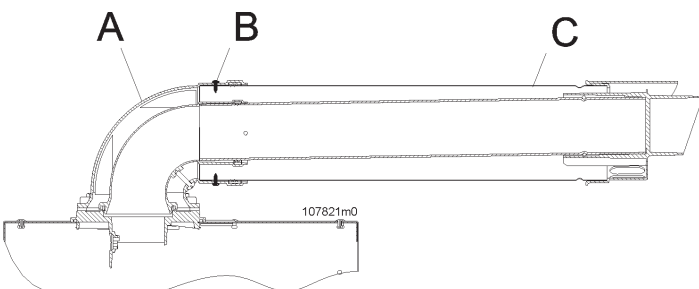


Figure 5-23 - Positioning the coaxial pipe

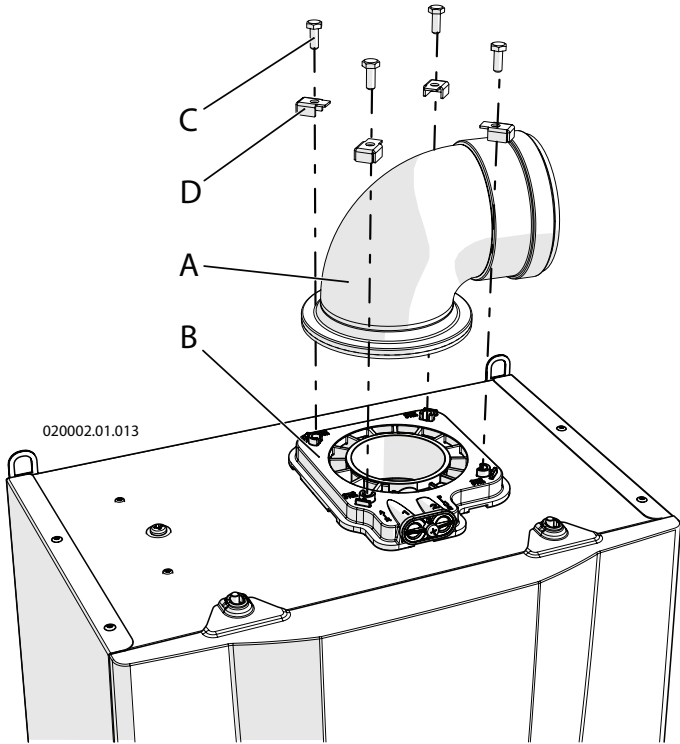


Figure 5-24 – Installing the horizontal coaxial system

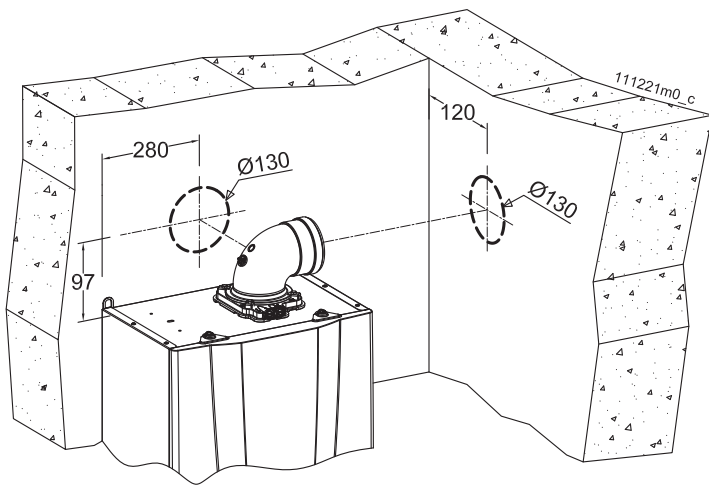


Figure 5-25 – Pre-installation centre-to-centre distances

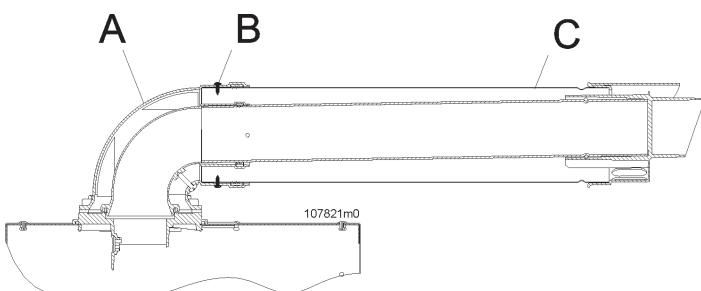


Figure 5-26 – Positioning the coaxial pipe

## 5.17.6 - “60/100PP horizontal coaxial” system (polypropylene) (type C13; C33)

The appliance is supplied as per standard without fittings to connect the fumes exhaust/air intake. To connect the appliance to a 60/100 coaxial system, the relevant kit must be requested and must be installed as in figure 5-24.



**WARNING!** Scrupulously follow the installation phases of the coaxial pipe as illustrated in figure 5-26. In particular:

1. - Introduce coaxial pipe “C” inside bend “A”;
2. - Fix the external pipe using the stainless steel self-threading screws “B”.



**WARNING!** The coaxial exhaust and intake pipes must be appropriately sustained via rigid brackets positioned no more than 1 metre from each other. The brackets must be fixed to rigid walls that can support the weight of the pipe itself.

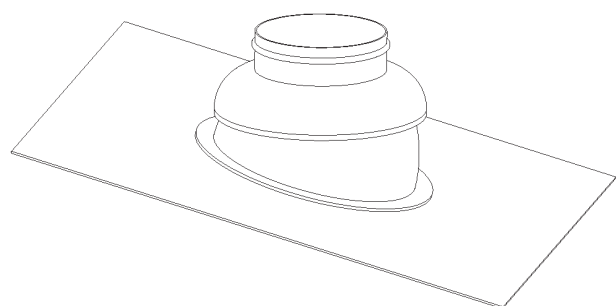


**WARNING!** Once these operations have been performed, check that the exhaust/intake terminal is exposed to the outdoors with the tolerances given in figure 5-27

☞ Take particular care with the installation of pipes in the part that passes through the wall to the outside. The normal maintenance operations must always be possible; therefore, install the pipes in a sheath so that they can be slid out.

☞ The horizontal tracts must always have an inclination of at least 2% towards the boiler.

☞ The fumes exhaust/air intake pipe can be extended up to the maximum distance indicated in the table in section 9 at the end of the manual. Every 90° bend has a loss equivalent to the value in section 9. Every 45° bend has a loss equivalent to the value in section 9.



62617255

### 5.17.7 - "60/100PP coaxial" system: accessories available

The following accessories are available on request to make the 60/100 coaxial fumes exhaust/air intake system: (the number after the code refers to the piece in the diagrams that follow)

62617255 - N° 2 valley for pitched roofs from 5° to 25°  
extension L = 1000 mm

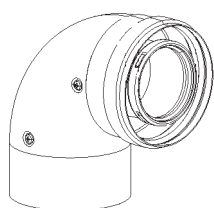
62617234 - N° 1 M/F PP 90° coaxial bend

62617252 - N° 6 M/F PP 45° coaxial bend

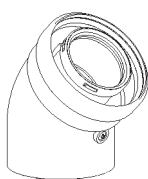
62617231 - N° 7 L 1m PP coaxial extension

62617304 - N° 3 PP coaxial roof terminal

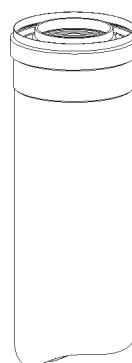
62617232 - N° 5 PP coaxial wall terminal



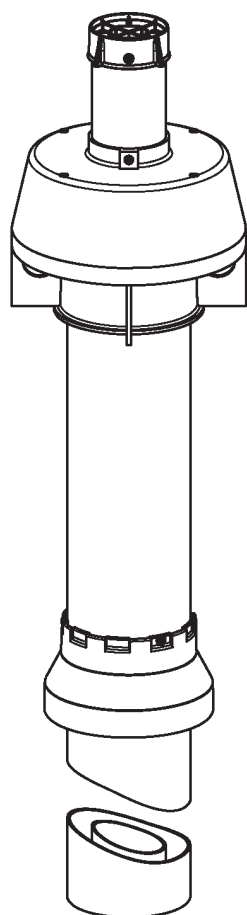
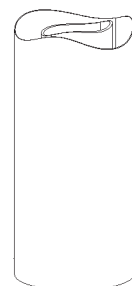
62617234



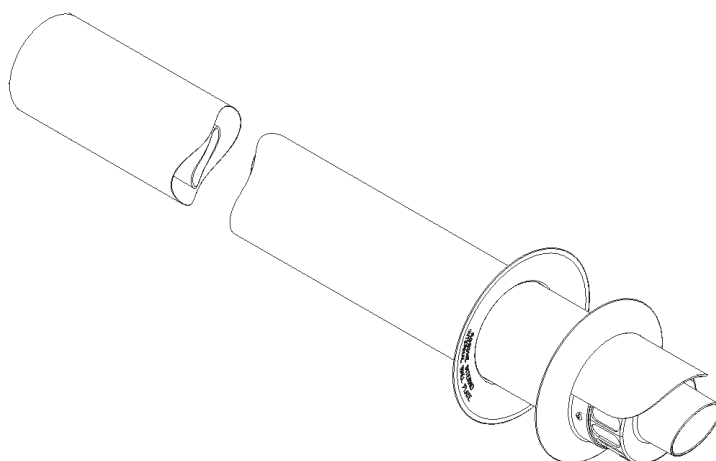
62617252



62617231



62617304



62617232

**5.17.8 - "60/100PP coaxial" system:  
installation examples**

When setting up a coaxial exhaust (see figure 5-27), whether vertical and horizontal, the exhaust pipe must slope upwards so that the condensate flows into the boiler.

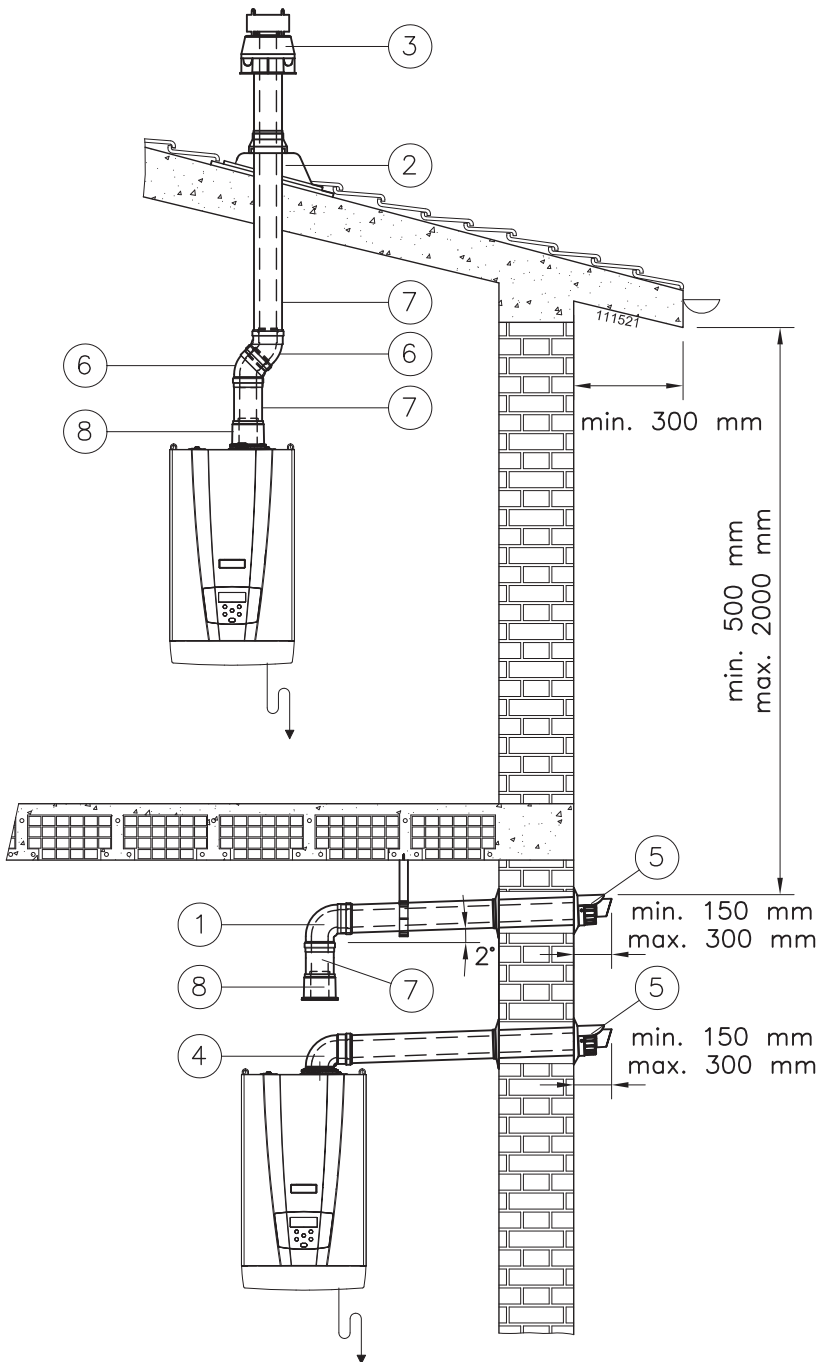


Figure 5-27 – Examples of coaxial pipe installation



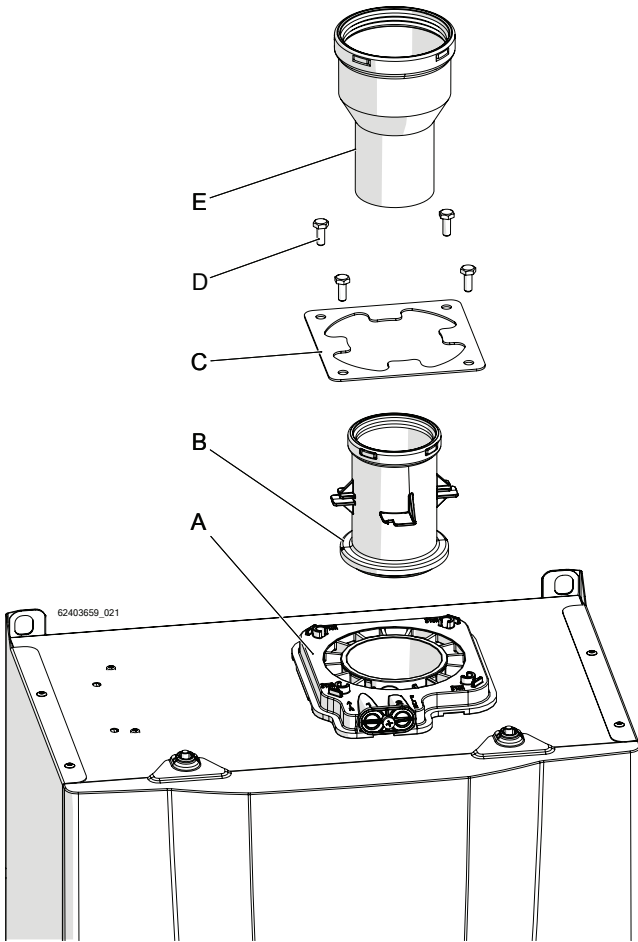


Figure 5-28 – Installing the single system

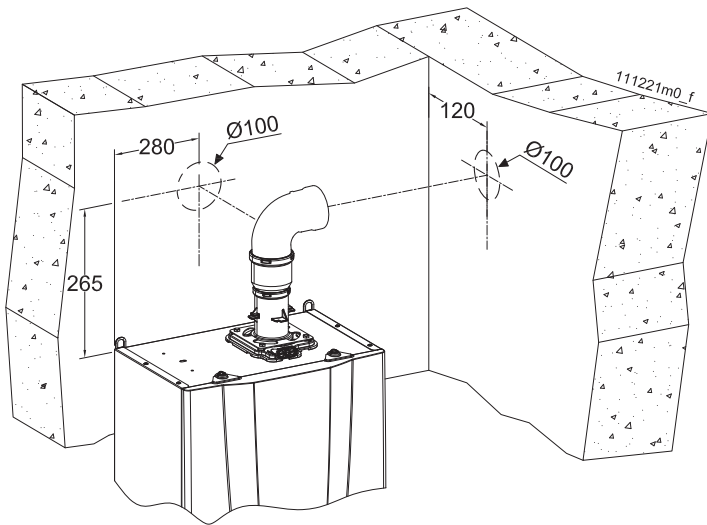


Figure 5-29 – Pre-installation centre-to-centre distances

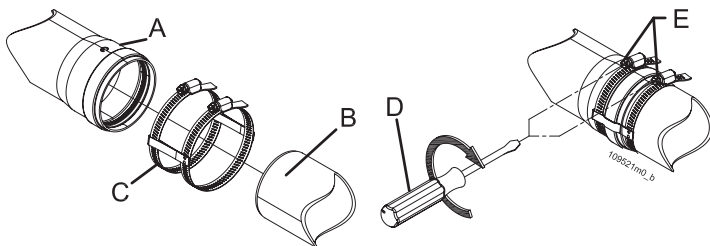


Figure 5-30 – Fixing the exhaust and intake pipes

## 5.17.9 - "80PP single" system (polypropylene) (type B23 or B23P)



**WARNING!** The appliance with this exhaust kit **sucks the combustion air from the room where it is installed. Read and follow the precautions set out in section 5.17.1.**

The appliance is supplied as standard without fittings to connect the fumes exhaust. To connect the appliance to a "80PP single" system, the relevant kit must be requested and must be installed as in figure 5-28, as follows:

- 1 - Rest fitting "B" on fitting "A".
- 2 - Fit fixing plate "C" on fitting "B".
- 2 - Fasten fixing plate "C" on fitting "a" using the screws "D".
- 3- Fit the reducer "E" as shown in the figure.

☞ Take particular care with the installation of pipes in the part that passes through the wall to the outside. The normal maintenance operations must always be possible; therefore, install the pipes in a sheath so that they can be slid out.

☞ The horizontal tracts must always have an inclination of at least 2% towards the condensate drain device.

☞ The boiler is already set up with a condensate collector, which must be fitted to a drain pipe (see section 5.9).



**WARNING!** This condensate drain is designed to drain away all of the liquid produced by a single appliance. If more than one boiler is installed, each boiler should have its own condensate drain.

The fumes exhaust system can be extended up to a maximum distance as indicated in section 9. Every 90° bend has a loss equivalent to the value in section 9. Every 45° bend has a loss equivalent to the value in section 9.



**WARNING!** The fumes exhaust terminal must be appropriately protected against the effects of the wind (see also section 7.17.1 error Loc 22).



**WARNING!** Mechanically secure the joints between the various component elements of the exhaust pipe, using fixing systems or similar. See figure 5-30



**WARNING!** The temperature of the exhaust pipe can reach 90°C during operation. If the pipe passes through walls that are sensitive to these temperatures, insert a protective heat-insulating sheath.



**WARNING!** The exhaust pipes must be appropriately sustained via rigid brackets positioned no more than 1 metre from each other. The brackets must be fixed to rigid walls that can support the weight of the pipe itself.

## 5 - INSTALLATION

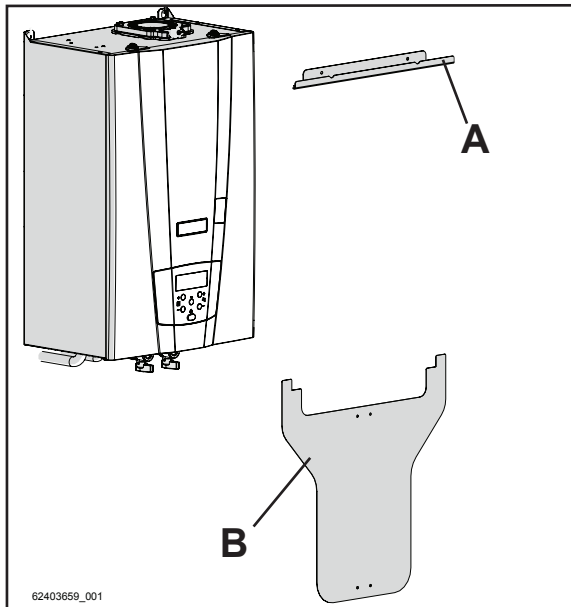


Figure 5-31

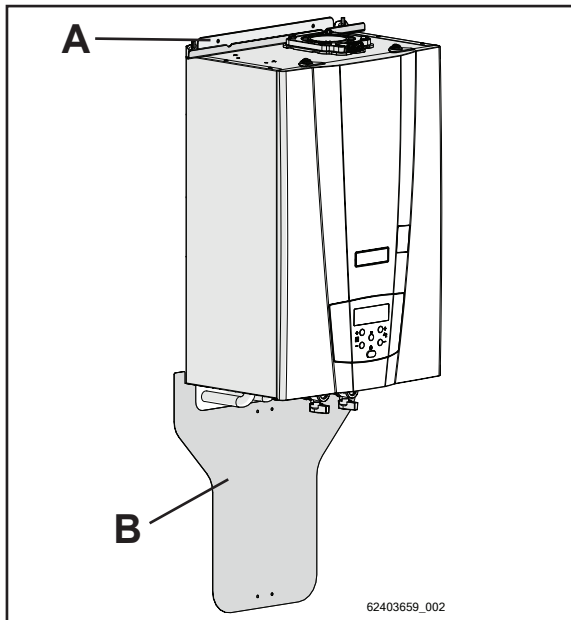


Figure 5-32

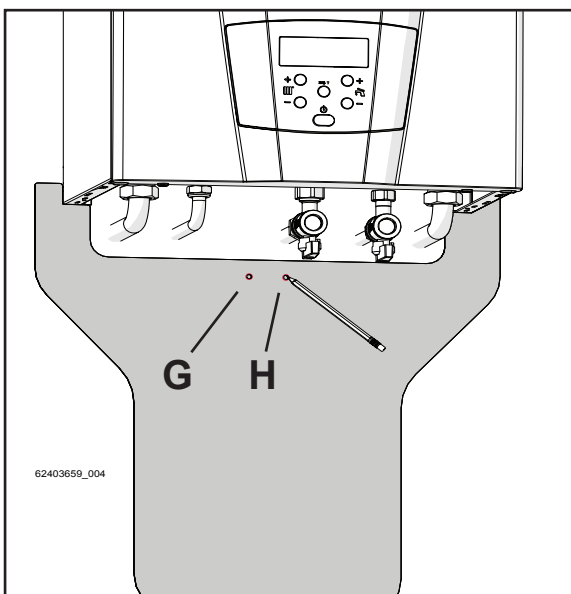


Figure 5-33

### 5.17.10 - "80PP single" system: accessories available

The accessories in section 5.17.3 are available on request to set up an "80PP single" fumes exhaust system.

### 5.18 - Installing and uninstalling the MYDENS external cover kit (on request)

To fasten the external cover, follow the instructions below:

- 1 - Position upper fixing bracket "A" and the centring template "B" on the wall, as shown in figures 5-31 and 5-32.
- 2 - Mark holes "G", "H" and "L", "M" using a pencil as shown in figures 5-33 and 5-34;
- 3 - Remove the template and fixing bracket, and drill the holes marked out previously, as shown in figures 5-35 and 5-36;
- 4 - Fasten upper fixing bracket "A" to the wall, using the dowels supplied in the kit, as shown in figure 5-37;
- 5 - Remove pre-cut disc "R" from fixing bracket "N", as shown in figure 5-38;
- 6 - Fasten fixing bracket "N" to the wall, insert gas pipe "P" inside it and connect the various components as shown in figures 5-39 and 5-40;
- 7 - Apply the cover as shown in figures 5-41, 5-42 and 5-43 in sequence, making sure that the hooks "C", in the cover frame, are anchored to the upper fixing bracket "A" as shown in figure 5-44;
- 8 - Lock the cover using clamping screw "E", as shown in figure 5-45;
- 9 - Apply the Rainproof gasket "D" on the cover "Q" as shown in figure 5-46;



#### WARNING!

- If the appliance is equipped with a fumes discharge terminal, remove the area marked "F" (which can be identified using a pre-cut piece on the lower surface) from the gasket "D" with a cutter (fig. 5-47).

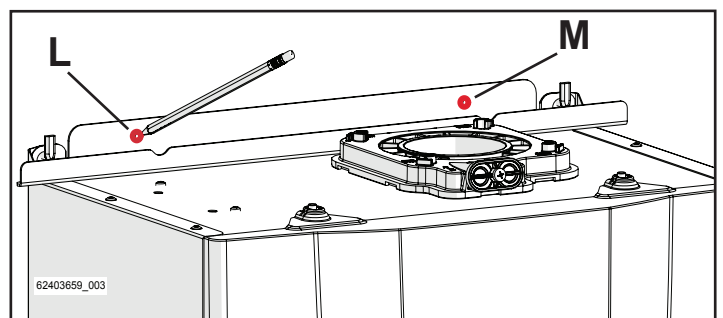


Figure 5-34

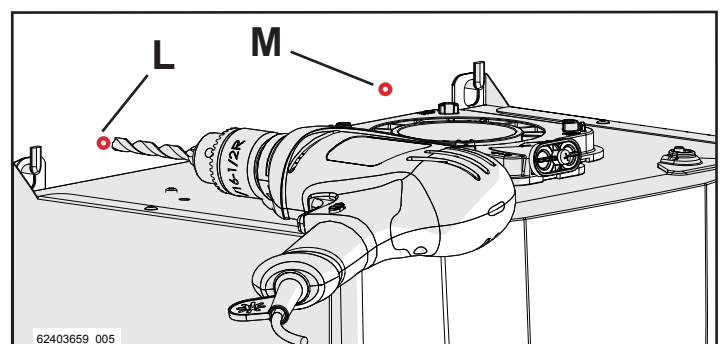


Figure 5-35

# 5 - INSTALLATION

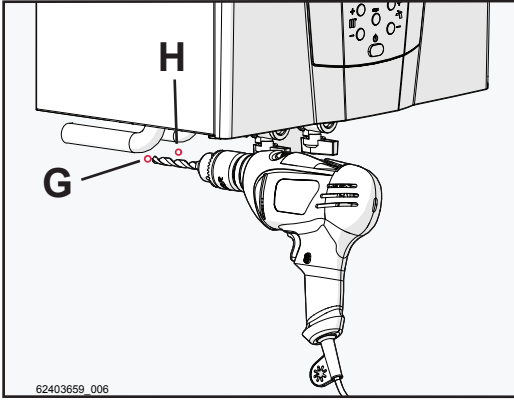


Figure 5-36

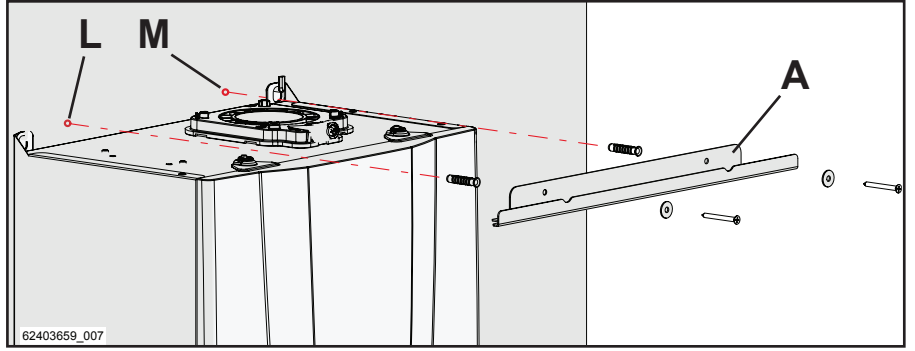


Figure 5-37

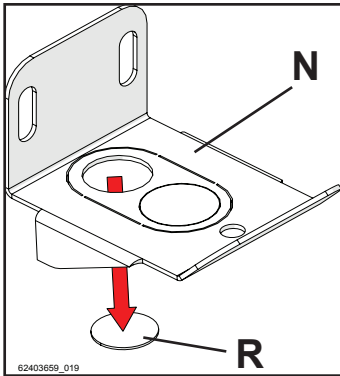


Figure 5-38

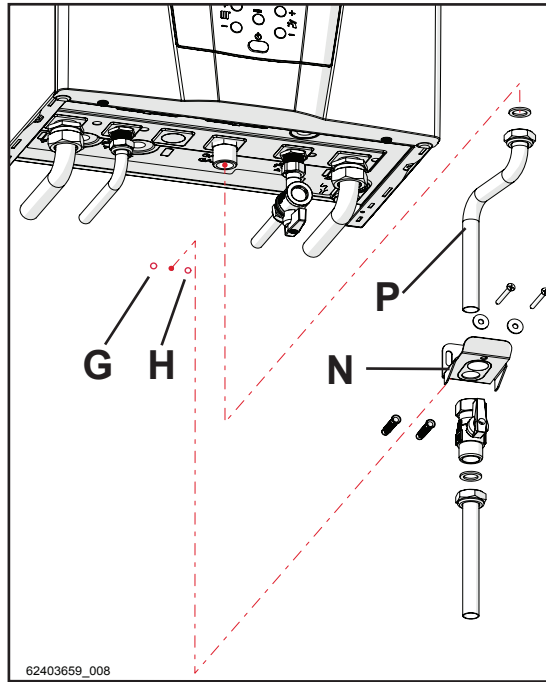


Figure 5-39

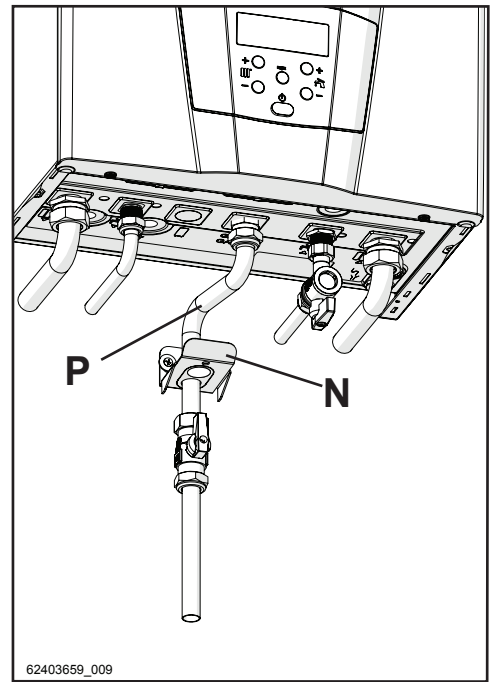


Figure 5-40

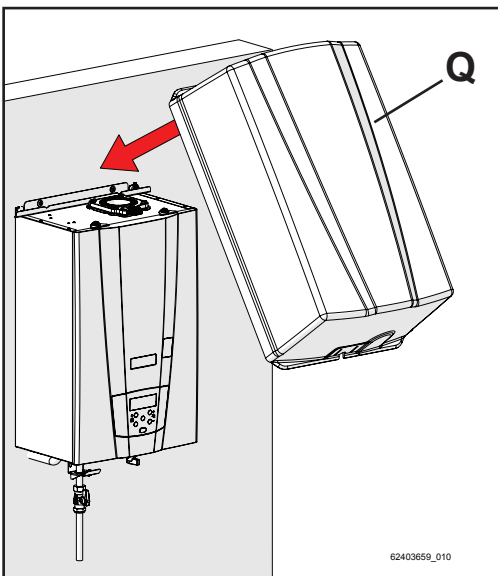


Figure 5-41

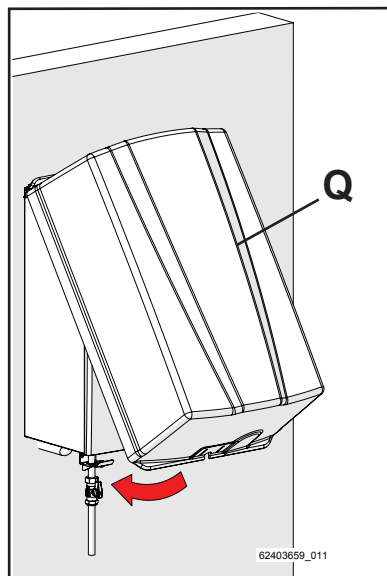


Figure 5-42

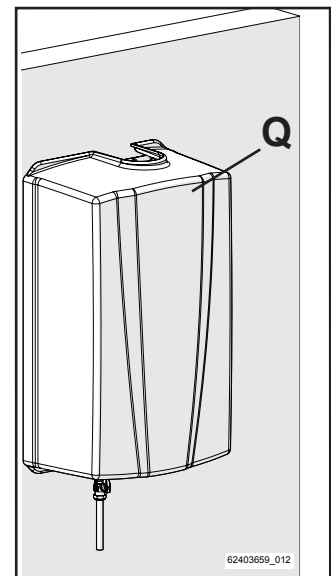


Figure 5-43

# 5 - INSTALLATION

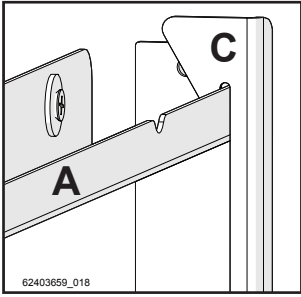


Figure 5-44

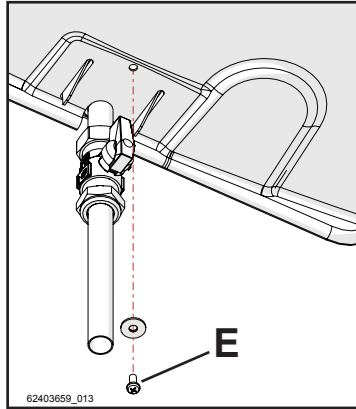


Figure 5-45

- If the appliance is equipped with a single fumes discharge terminal, remove the areas marked "U" from the gasket "D" with a cutter (fig. 5-47).

To remove the external cover, follow the instructions below:

- 1 - Remove the fixing screw "E" in figure 5-45;
- 2 - Press on the areas marked with an arrow in figure 5-48; this takes you from the position in figure 5-49 showing two triangular points "S" and "T", to the position in figure 5-50;
- 3 - Turn and lift the cover as shown in figure 5-51, remembering to remove frame hooks "C" from the upper support bracket "A" as illustrated in figure 5-44.

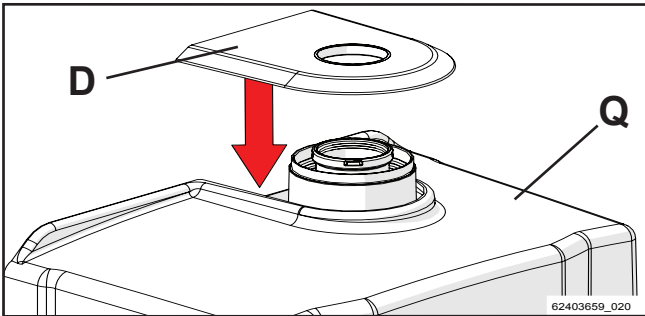


Figure 5-46

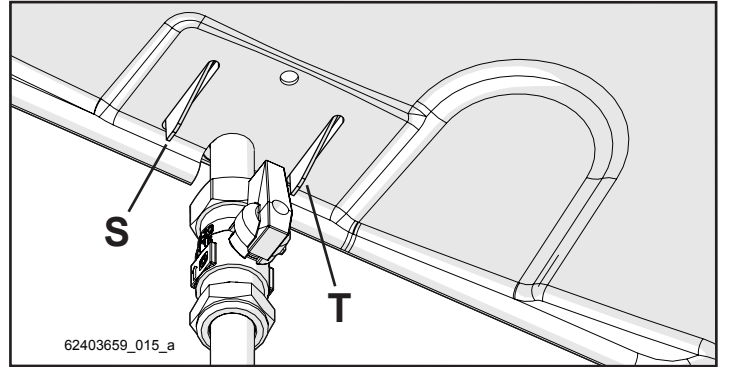


Figure 5-49

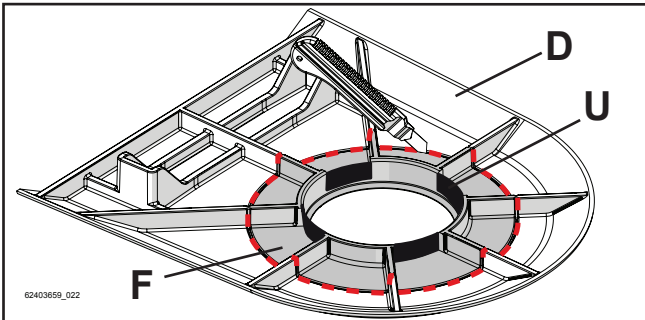


Figure 5-47

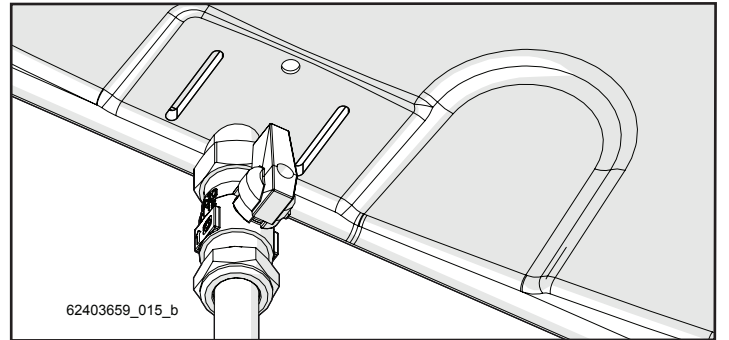


Figure 5-50

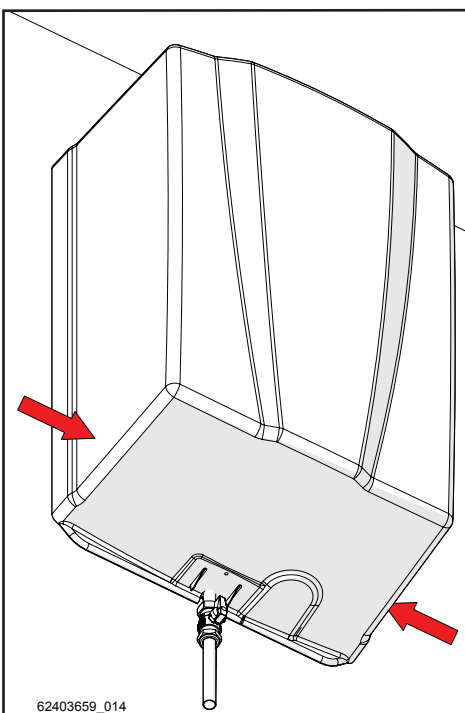


Figure 5-48

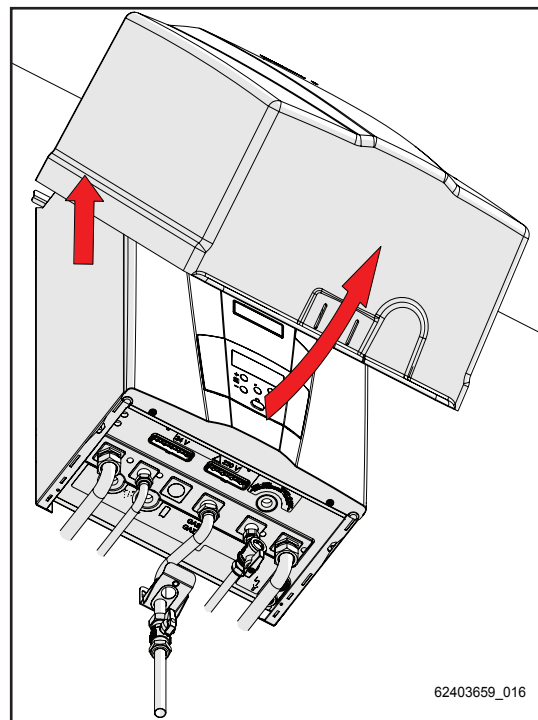


Figure 5-51

## 6 - START-UP

### 6.1 - Start-up

Before starting up the boiler, the following operations must be carried out.

#### 6.1.1 - Instructions to the user

Instruct the user on correct use of the boiler and the whole system in general. In particular:

- ☞ Hand over the installation and use manual and all the documentation contained in the package to the user.
- ☞ Instruct the user on any special measures for discharging burned gases, informing them that they must not be modified.
- ☞ Inform the user of the water pressure check that needs to be done on the system and the steps required to fill it and vent the air.
- ☞ Inform the user regarding the correct temperature, control unit/room thermostat and radiator settings for saving energy.

#### 6.1.2 - Filling the condensate drain siphon

The siphon found inside the boiler (see figure 3-2, detail "49") must be filled with water to create the head capable of preventing the fumes escaping from pipe "F" in figure 5-4. Proceed as follows to do this:

- 1.- Loosen screw "E";
- 2.- Remove lid "D" and gaskets "C";
- 3.- Insert a rubber hose into opening "B" (do not confuse with "A") and the other end of the hose into the funnel;

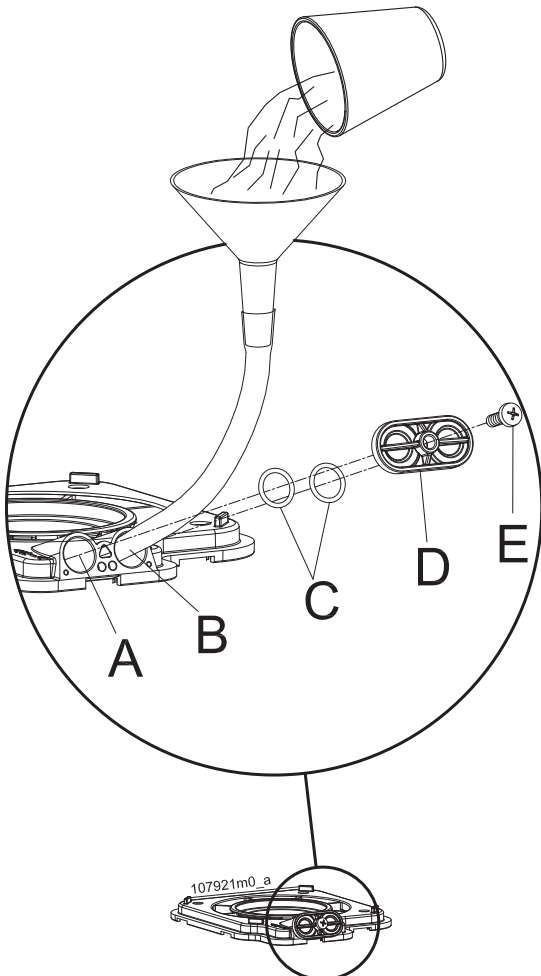


Figure 6-1 – Filling the condensate drain siphon

4.- Use the funnel to slowly pour in about 200 cm<sup>3</sup> of water (= a glass);

5.- Refit all parts in reverse order.



**WARNING!** If the boiler remains off for more than 3 months, the siphon must be filled again as explained above.

#### 6.1.3 - Filling the central heating system

If the word **FILL** appears on the display when the boiler is powered electrically, this means that the central heating system must be filled. Proceed as follows:

☞ only use clean water from the mains.



**WARNING!** The addition of chemical substances such as anti-freeze must be performed in compliance with the product instructions. In all cases, these substances must not be introduced directly inside the boiler.

- 1.- Open the fill cock positioned under the boiler (see figure 7-2 detail "A") and fill the system at about 1.5 bar (the word **FILL** disappears from the display);
- 2.- Make sure there are no water leaks from the fittings;
- 3.- Close the filling cock (see figure 7-2, detail "A");
- 4.- Bleed the heating elements;
- 5.- Check the pressure on the boiler display again. If it has dropped, fill up to 1.5 bar again.



**WARNING!** If there is an automatic load group, no manual intervention is required to fill the system.

### 6.2 - General recommendations regarding the gas supply

To commission the boiler, have a professionally qualified technician perform the following checks:

- ☞ That the boiler is powered by the type of fuel for which it is set-up.
- ☞ That the gas supply pressure (with boiler operating and stopped) is within the maximum and minimum values indicated in the table in section 9 at the end of the manual.
- ☞ That the gas supply system is fitted with all of the safety and control parts required by current national and local regulations.
- ☞ That the fumes discharge terminal and the combustion agent air intake terminal are free from any obstruction.
- ☞ That the fumes exhaust and combustion agent air intake terminal are positioned outside the building.
- ☞ That the condensate drain connection is connected.



**WARNING! If you smell gas:**

- A - Do not switch on any electric devices, including telephones, or any object that can cause sparks;**
- B - Immediately open doors and windows to create a current of air that quickly cleans the gas from the room;**
- C - From another room, or from a neighbour's property, immediately call a professionally qualified technician or the gas supply company. Call the Fire Service if the former are not available.**

### 6.3 - Type of gas for which the appliance is set.

There is a label on the front of the appliance certifying the gas supply type and pressure for which the boiler is set. The boiler may have one of the following two types of wording:

#### **2H-G20-20mbar NATURAL GAS**

This means that the boiler is set to operate with G20 gas (methane) of group H of the second family, at a supply pressure of 20 mbar.

#### **3P-G31-37mbar LPG**

This means that the boiler is set to operate with G31 gas (propane, also known as LPG) of group P of the third family, at a supply pressure of 37 mbar.

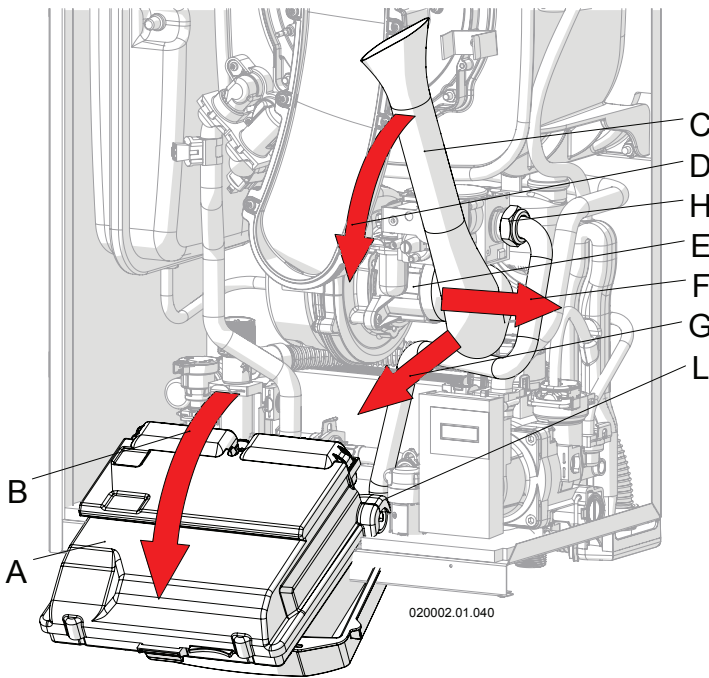


Figure 6-2 – Removing the air manifold

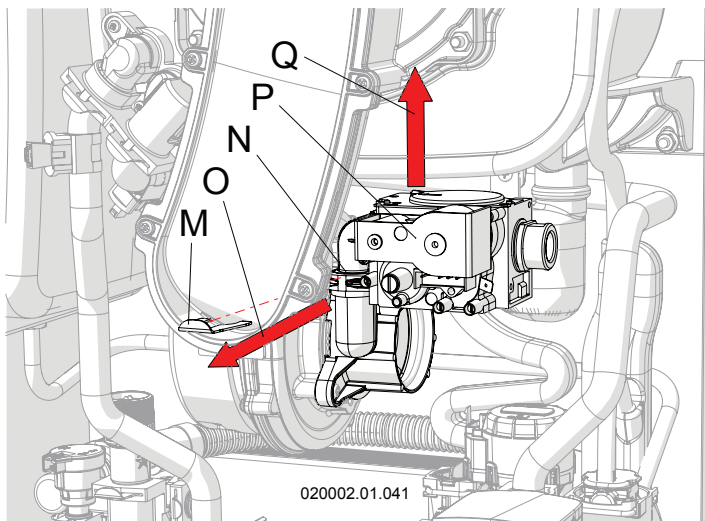


Figure 6-3 – Removing the gas valve

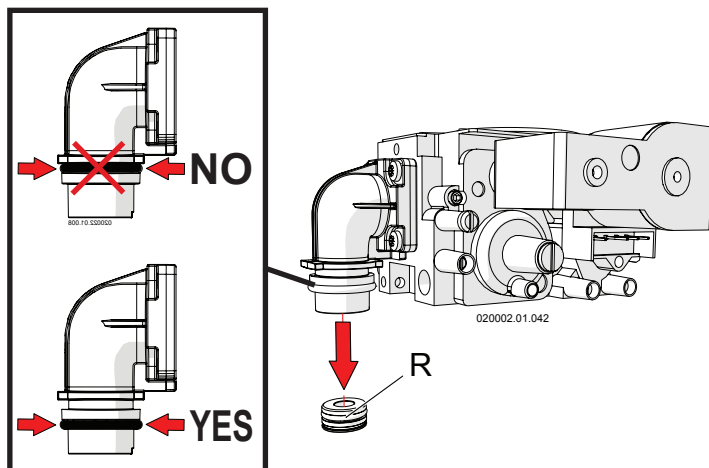


Figure 6-4 – Replacing the gas nozzle

## 6.4 - Conversion of the appliance from one type of gas to another



**Read these instructions carefully before changing the gas:**

- The gas appliance must be installed, calibrated or modified by specialised staff in compliance with the law;
- Check and be certain that the type of gas which is powering the appliance is compatible with the adjustment kit in your possession;
- Do not supply the boiler with a type of gas other than those specified.

Follow the instructions given below to change the gas:

1. - Access the "installer" profile (see section 7.16);
2. - Set parameter  $e^{138}$  to the value shown in table on figure 6-6;
3. - Turn off electricity to the boiler;
4. - Open the boiler casing as reported in section 8.3;
5. - Close the gas supply;
6. - Remove the air manifold, making sure to rotate it outwards and then slide it out of the fan inlet (see figure 6-2, detail "C");
7. - Remove the gas inlet pipe using the two fittings (see figure 6-2, details "H" and "L");
8. - Remove clamp spring "M" from seat "N" releasing valve "P" (see figure 6-3);
9. - Slide gas valve "P" up and out;
10. - Replace gas nozzle "R" (see figure 6-4) with an appropriate one according to figure 6-6 under "Gas nozzle diameter";
11. - Refit the gas valve (see figure 6-3, detail "P"), making sure to reposition spring "M";
12. - Refit the gas supply pipe via the two fittings (see figure 6-2, details "H" and "L");
13. - Refit the air manifold (see figure 6-2, detail "C");
14. - Open the gas cock;
15. - Check for any gas leaks using the relevant tools.



**WARNING! Perform the gas leak test using a soap and water solution only. The use of naked flames is prohibited.**



**WARNING! If you smell gas:**

- A - Do not switch on any electric devices, including telephones, or any object that can cause sparks;
- B - Immediately open doors and windows to create a current of air that quickly cleans the gas from the room;
- C - From another room, or from a neighbour's property, immediately call a professionally qualified technician or the gas supply company. Call the Fire Service if the former are not available.

- 16.- Check the supply gas pressure, following the procedure in section 6.6;
- 17.- Open the CO2 adjustment screw completely (see figure 6-9, detail "A");
- 18.- Check and adjust the CO2, following the procedure in section 6.7;
- 19.- Apply the sticker certifying the appliance's new setting onto the front casing of the boiler in place of the label showing the old status (see figure 6-5): apply label "B" if the boiler has been converted from natural gas to LPG; apply label "A" if the boiler has been converted from LPG to natural gas.

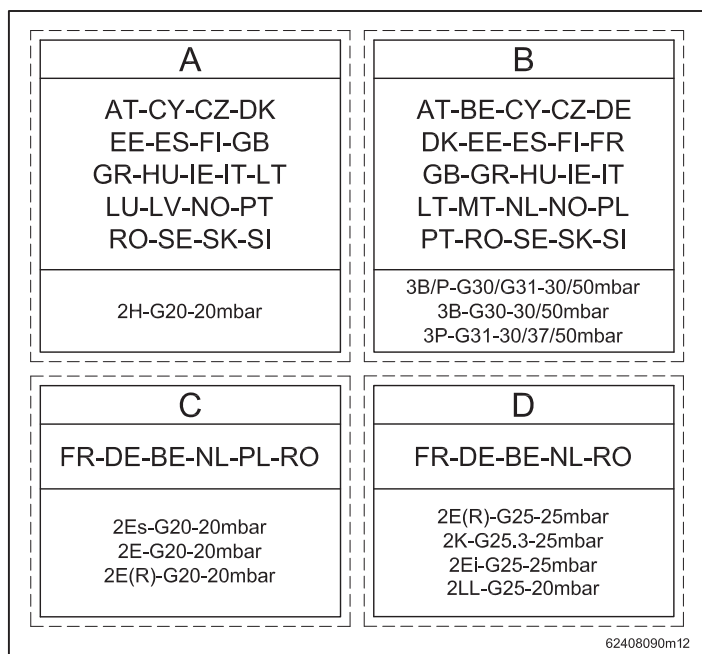


Figure 6-5 – Labels certifying the new boiler status




Model	Type of gas	Setting parameter <b>2 138</b>	Gas supply minimum pressure (mbar)	Gas supply maximum pressure (mbar)	Gas nozzle diameter (mm)	CO2 Maximum power (%)	CO2 Minimum power (%)	O2 Maximum power (%)	O2 Minimum power (%)
15	G20	50	17	25	4.9	9.0 ± 0.3	8.5 ± 0.1	4.9 ± 0.2	5.8 ± 0.1
	G25	50	20	30	4.9	9.0 ± 0.3	8.5 ± 0.1	4.5 ± 0.2	5.4 ± 0.1
	G30	51	25	35	3.55	10.4 ± 0.3	9.5 ± 0.1	5.4 ± 0.2	6.7 ± 0.1
	G31	51	25	45	3.7	10.4 ± 0.3	10.0 ± 0.1	5.0 ± 0.2	5.6 ± 0.1
24	G20	50	17	25	4.9	9.0 ± 0.3	8.5 ± 0.1	4.9 ± 0.2	5.8 ± 0.1
	G25	50	20	30	4.9	9.0 ± 0.3	8.5 ± 0.1	4.5 ± 0.2	5.4 ± 0.1
	G30	51	25	35	3.55	10.5 ± 0.3	9.5 ± 0.1	5.2 ± 0.2	6.7 ± 0.1
	G31	51	25	45	3.7	10.5 ± 0.3	9.5 ± 0.1	4.9 ± 0.2	6.4 ± 0.1
34	G20	52	17	25	6.5	9.0 ± 0.3	8.5 ± 0.1	4.9 ± 0.2	5.8 ± 0.1
	G25	50	20	30	6.7	9.0 ± 0.3	8.5 ± 0.1	4.5 ± 0.2	5.4 ± 0.1
	G30	53	25	35	4.5	10.5 ± 0.3	9.5 ± 0.1	5.2 ± 0.2	6.7 ± 0.1
	G31	53	25	45	4.7	10.5 ± 0.3	10.0 ± 0.1	4.9 ± 0.2	5.6 ± 0.1


Figure 6-6 – Correspondence table for parameter **2 138** and the operating values






## 6 - START-UP


### 6.5 - Ignition

- 1.- Open the gas cock;
- 2.- Power the boiler electrically;
- 3.- Adjust the desired temperature from the heating service using the  and  keys. The icon  on the display shows the heating service operating status:


a)  icon: central heating inactive (check that the room thermostat is in call mode or, where there is an external sensor, that the outdoor temperature is lower than the heating stop spring temperature (par. 2025);


b) flashing  icon: central heating in operation.

4. - Adjust the desired temperature for the domestic hot water service using the  and  keys. The icon  on the display shows the DHW service operating status:

a) fixed  icon: domestic hot water inactive (no-one is using domestic hot water, or where there is an indirect water heater, the delivery temperature has been reached);

b) flashing  icon: domestic hot water service in use.

- 5.- If the  icon flashes, but the radiators do not heat up, the pump may be blocked (see figure 3-1, detail "25"). Check the condition of the pump and replace it if necessary;

- 6.- If the  icon flashes but the radiators still do not heat up, bleed the air from the radiators again.

### 6.6 - Controlling the supply gas pressure and any adjustments

The gas supply pressure must correspond to that stated in the table in section 9 at the end of the manual. Proceed as follows to verify the pressure:

- 1.- Close the gas cock;
- 2.- Access the components inside the boiler, following the procedure in section 8.3;
- 3.- Loosen pressure point "A" (see figure 6-7);
- 4.- Connect a manometer with a resolution of at least 0.1 mbar (1 mmH<sub>2</sub>O) to it;
- 5.- Open the gas cock;
- 6.- Check that the pressure does not exceed the value given in the table in section 9 under "Gas supply maximum pressure";
- 7.- Make sure that any cocks and thermostatic valves after the central heating circuit are open;

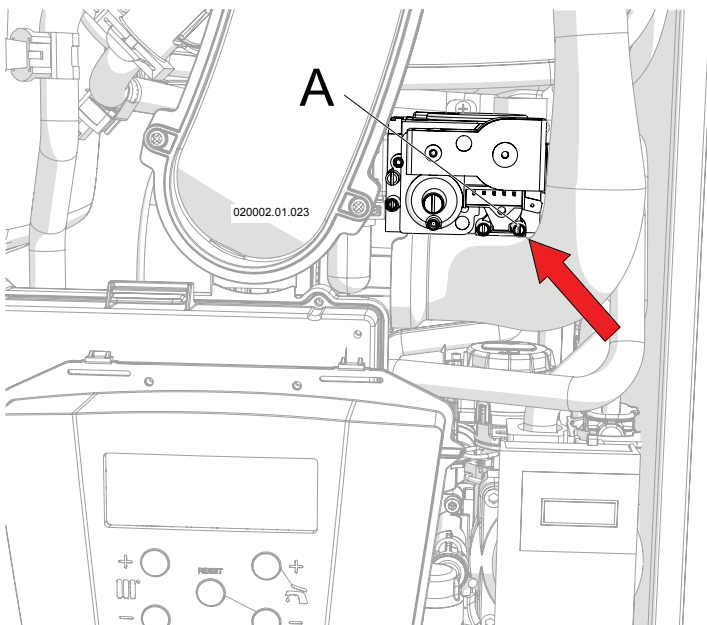


**WARNING! When forcing the delivery temperature, it automatically goes to 93°C to dispose of as much of the heat generated by the boiler as possible. Check that the central heating system can support this temperature.**

- 8.- Access the "installer" profile as detailed in section 7.16;
- 9.- Set parameter **0200** to **H 1**;
- 10.- Now the burner will operate at maximum power for 10 minutes;
- 11.- Check that the pressure does not drop to a value lower than the "Gas supply minimum pressure" given in the table in section 9. If the supply pressure does not respect the values described, operate on the system before the appliance in order to bring it back to within the minimum and maximum range;
- 12.- Once the check is complete, access the "installer" profile again and set parameter **0200** back to **OFF**;
- 13.- Close the pressure point "A" again as in figure 6-7;
- 14.- Check for any gas leaks at the pressure point using suitable tools.



**WARNING! Perform the gas leak test using a soap and water solution only. The use of naked flames is prohibited.**



A - Gas inlet pressure point.

Figure 6-7 – Gas valve

## 6.7 - Controlling the level of CO<sub>2</sub> and any adjustments

The boiler in normal operating mode, and for altitudes up to 1000 m, has a level of CO<sub>2</sub> (carbon dioxide) in the fumes as shown in the table in section 9. A combustion analysis must be performed to check and adjust the CO<sub>2</sub> level as required. Proceed as follows:

- 1.- Start up the boiler;
- 2.- Connect a combustion analyser to the appropriate point on the fumes exhaust fitting "B" in figure 6-8;
- 3.- Make sure that any cocks and thermostatic valves after the central heating circuit are open;

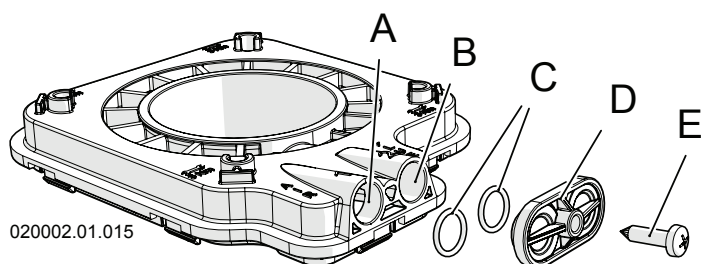


**WARNING! When forcing the delivery temperature, it automatically goes to 93°C to dispose of as much of the heat generated by the boiler as possible. Check that the central heating system can support this temperature.**

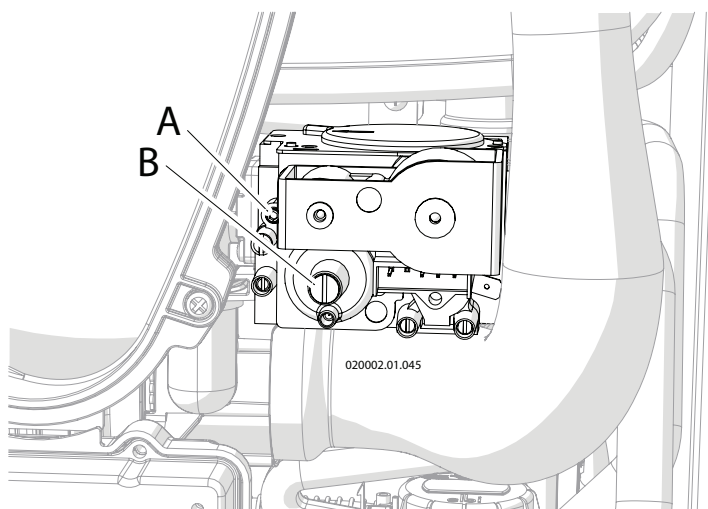
- 4.- Access the "installer" profile as detailed in section 7.16;
- 5.- Set parameter `0200` to `H 1`;
- 6.- Now the burner will operate at maximum power for 10 minutes;
- 7.- Wait for the CO<sub>2</sub> measurement to stabilise;
- 8.- Compare the value measured with that given in the table in figure 6-6, "CO<sub>2</sub> maximum power". If the value measured differs from the value read, it must be brought back to within the value given in the table in figure 6-6, proceeding as follows:
  - a) Turn screw "A" clockwise as in figure 6-9 to decrease the level of CO<sub>2</sub>;
  - b) Turn screw "A" anti-clockwise as in figure 6-9 to increase the level of CO<sub>2</sub>;
- 9.- Once the check has been completed, seal the screw "A" in figure 6-9 with red paint or a similar method;
- 10.- Access the "installer" profile again as detailed in section 7.16 and set `0200` to `L 0`;
- 11.- Now the burner will operate at minimum power for 10 minutes;
- 12.- Wait for the CO<sub>2</sub> measurement to stabilise;
- 13.- Compare the value measured with that given in the table in figure 6-6, "CO<sub>2</sub> minimum power". If the value measured differs from the value read, it must be brought back to within the value given in the table in figure 6-6, proceeding as follows:
  - a) Turn screw "B" anti-clockwise as in figure 6-9 to decrease the level of CO<sub>2</sub>;
  - b) Turn screw "B" clockwise as in figure 6-9 to increase the level of CO<sub>2</sub>;
- 14.- Once the check has been completed, seal screw "B" in figure 6-9 with red paint or a similar method;
- 15.- Access the "installer" profile again as detailed in section 7.16 and set parameter `0200` to `OFF`;



**WARNING!** If during forcing, the power supplied by the boiler is much higher than the power absorbed by the system, the boiler switches off continuously to reach the maximum temperature allowed (93°C). To resolve this problem, set the heating power to the value effectively required by the system, as laid down in section 6.8, and run the CO<sub>2</sub> analysis test or combustion efficiency test, setting parameter **0200** previously referred to at the **r E 9** value.



**Figure 6-8 – Combustion analysis points**



A - CO<sub>2</sub> adjustment screw at maximum power;  
B - CO<sub>2</sub> adjustment screw at minimum power;

**Figure 6-9 – Gas valve**

Power necessary (kW)	BOILER MODEL		
	15	24	34
32			
31			94
29			88
27			82
25		98	76
23		89	70
21		80	64
19		71	58
17		62	52
15		53	46
13	44	44	40
11	35	35	34
9	26	26	28
7	17	17	22
5	8	8	16

Figure 6-10 – Corresponding values to enter under parameter 20 14 to obtain the desired power necessary in central heating mode

## 6.8 - Adjusting the power in central heating mode (Range Rated)



This appliance is designed and type-approved to adapt the maximum heating power to the effective power needed by the system, as per the calculation. To do this and to make use of the boiler's full potential, it is recommended to set the maximum power in central heating mode at the effective value required by the system. Proceed as follows:

- 1.- Access the "installer" profile as detailed in section 7.16;
- 2.- Set parameter 20 14 as shown in the table in figure 6-10;

## 6.9 - Adjusting the domestic hot water flow rate

The boiler is supplied with a domestic hot water maximum flow rate adjuster. However, if the boiler is installed in a geographical area where the temperature of the cold water is very low, the flow rate of domestic hot water that passes inside the boiler may have to be reduced.

It is therefore good practice to perform the following adjustment:

- 1.- Switch the boiler on;
- 2.- Using the  and  keys, adjust the temperature of the domestic hot water to 48°C-50°C;
- 3.- Open the hot water cock completely. In the case of a single lever mixer tap, the position must be completely on "HOT";
- 4.- Wait 3 minutes for the temperature to stabilise;
- 5 - If the water temperature is too cold, the flow rate must be reduced using selector "A" in figure 6-11, until the desired temperature is reached.

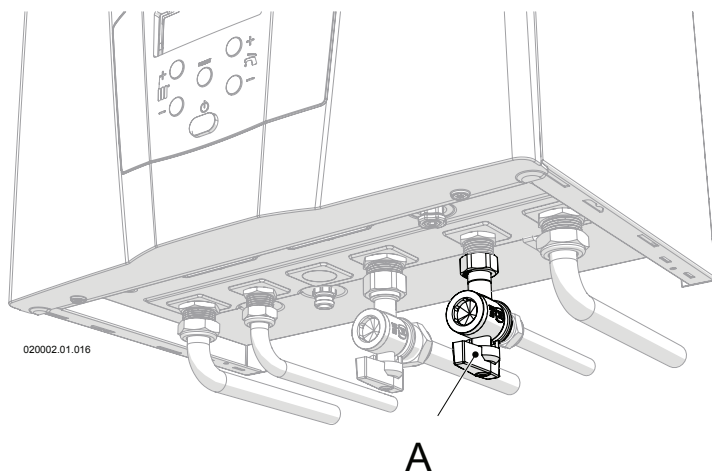


Figure 6-11 – Domestic hot water flow rate selector switch

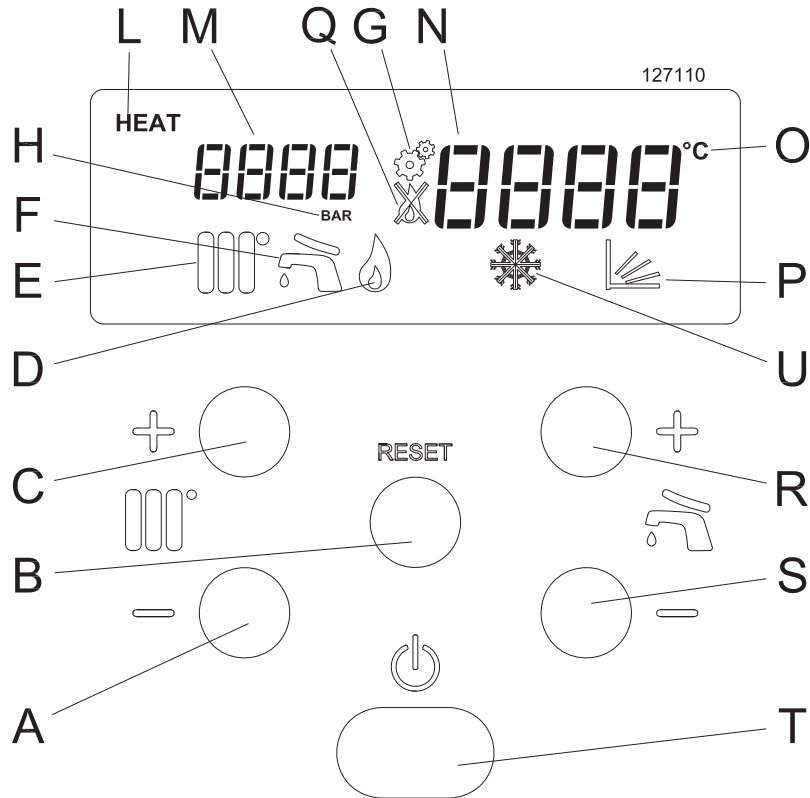


Figure 7-1 – Control board  
Figure 7-1 key

- A - Key for reducing the central heating temperature (below the minimum, the central heating is set to OFF)
- B - Reset key
- C - Key for switching on and increasing the heating temperature
- D - Burner status (the burner is on when this icon is showing)
- E - Heating service status:  
Icon off = Central heating off  
Icon on = Central heating active but not in operation  
Icon flashing = Central heating active and in operation
- F - Domestic hot water service status:  
Icon off = Domestic hot water off  
Icon on = Domestic hot water active but not in operation  
Icon flashing = Domestic hot water active and in operation
- G - Icon to enter the “installer” menu
- H - Unit of measurement of the pressure displayed
- L - Cascade pump status (if the icon is showing, the pump is on)
- M - Central heating system pressure (if flashing, pressure is low) or indicator of parameters in the various menus
- N - Temperature of the central heating or domestic hot water or indicator of the values assumed by the various parameters
- O - Unit of measurement of the temperature displayed
- P - Central heating service adjusted by the external sensor
- Q - Boiler in lockout (see sections 7.17.1 and 7.17.2 for the diagnostics)
- R - Key for switching on and increasing the temperature of the domestic hot water or for scrolling through and changing the value of the parameters
- S - Key for reducing the temperature of the domestic hot water (below the minimum, the domestic hot water is set to OFF) or for scrolling through and changing the value of the parameters
- T - On/off switch
- U - Appliance in anti-freeze mode

### 7.1 - Checking the cock opening

- The gas cock must be open;
- Any valves on the supply and return must be open;
- Any valves on the hot and cold water lines must be open.

### 7.2 - Checking the central heating system pressure

If the pressure inside the central heating circuit drops below 0.8 bar, the display “N” in figure 7-1 shows the message

**F I L L** to indicate that the correct pressure must be restored. Proceed as follows:

- 1.- Pull the knob “A” in figure 7-2 downwards;
- 2.- Open the fill cock, turning the knob anti-clockwise to fill the system;
- 3.- Check the pressure on the display “M” in figure 7-1; it must reach a pressure of 1.3 bar - 1.5 bar (the **F I L L** message disappears on exceeding 1.1 bar);
- 4.- Close the fill cock (see knob “A” in figure 7-2), turning it clockwise.

In some boiler models the system fill knob “A” in figure 7-2 may be absent. In these cases, use the device provided by the installer in the system before the boiler itself.



**WARNING! During normal operation, fill cock “A” (see figure 7-2) must always remain in the closed position.**

If the pressure drops over time, restore the correct value. This operation may have to be repeated several times in the first month of operation to remove any air bubbles in the system.

## 7 - USE

### 7.3 - General information

During operation, the display shows the boiler operating status as well as other information as indicated in section 7.17 (Diagnostics).

Other parameters can be consulted through the "user profile" (see section 7.15), useful for understanding appliance operation and checking the most recent lockouts or errors.


### 7.4 - Ignition procedure

- 1.- Open the gas cock;
- 2.- Power the boiler electrically;
- 3.- Adjust the domestic hot water temperature and the central heating temperature as per sections 7.7 and 7.8 respectively.

The command and control equipment will switch the burner on. If ignition does not take place within 20 seconds, the boiler automatically attempts ignition again up to 3 times, after which, if it still does not ignite, it locks out and the display shows "L o c k".

Press and hold the RESET button until **r St** appears on the display, then release the RESET button and wait for the normal operating conditions to resume.

The boiler will automatically attempt to ignite again.



NOTE: If, when pressing the RESET button, the display changes, press the  key once to return to the normal display. Then press the RESET key, taking care to hold it down until the message "r St" shows on the display.





**WARNING! If shutdown due to lockout occurs frequently, contact a qualified technician to restore normal operating conditions.**

Once the boiler has been ignited correctly, it will continue to operate for the service requested.

### 7.5 - Summer operating mode


Whenever the central heating function is to be stopped for a long period of time, leaving only the domestic hot water function operating, adjust the central heating temperature to the minimum using the  or  keys, until the message "D F F" appears.

### 7.6 - Winter operating mode



In winter operating mode, the boiler sends the water to the system via the pump at the temperature set using the  or  keys.

When the temperature inside the boiler approaches the temperature set, the burner starts to modulate the flame to reduce the power to the effective power required by the system. If the temperature starts to rise further, the burner stops.

At the same time, the pump that sends water to the system is switched on and off by the room thermostat. This can be

noted because the  indicator flashes when the pump is on, while it remains on when the pump is off.

The pump may initially make a noise. This is due to the presence of residual air in the hydraulic system, which will disappear quickly, without any intervention.

For a sustainable use of the boiler, it is recommended to keep the central heating temperature, adjusted using the  or  keys, at the lowest value possible, compatibility with the temperature requested in the rooms. If the winter season is particularly cold, meaning the room temperature can no longer be maintained, raise the central heating temperature to higher values.

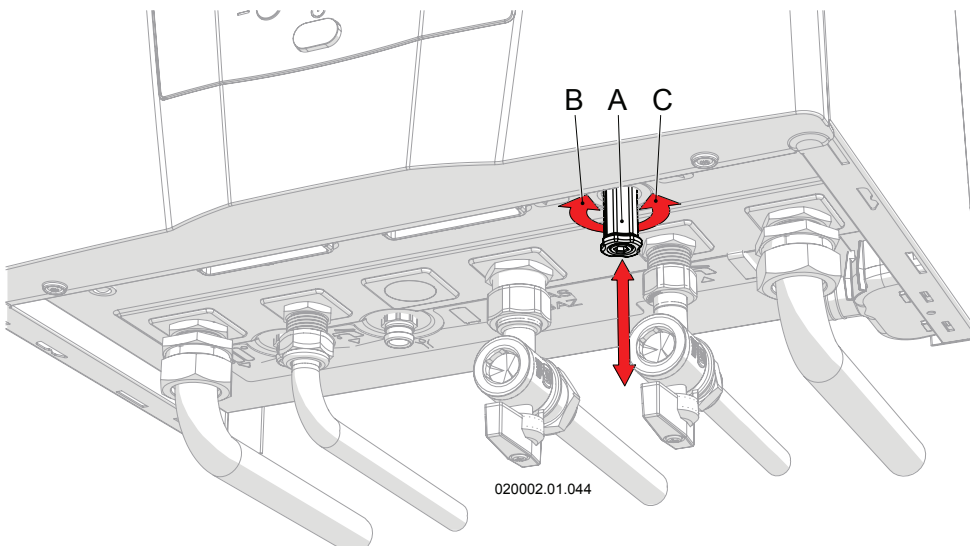





Figure 7-2 – System fill cock

Figure 7-2 key

- A = System fill knob
- B = Closing direction
- C = Opening direction







## 7.7 - Adjusting the instantaneous domestic hot water

The temperature of the domestic hot water is adjusted using the  and  keys. Once one of the two keys has been pressed, the display "N" in figure 7-1 starts to flash and show the temperature that is being set. The temperature of the domestic hot water can be set to between a range of 40°C and 60°C.

By pressing and holding the  key down even below 40°C, the message "OFF" appears to indicate that the domestic hot water service is being switched off. The icon "F" in figure 7-1 also switches off.

## 7.8 - Central heating

Using parameter **2001**, which can be modified by accessing the "installer profile" (see section 7.16), it is possible to select different operating modes for the central heating service:

- **2001 = 00**; "Constant temperature with TA (Thermostatic adjustment)": the central heating supply temperature is adjusted manually via the  or  keys. The opening and closing of the room thermostat stops or starts the boiler pump correspondingly in order to adjust the room temperature;
- **2001 = 01**; "Climatic adjustment with TA": The icon  appears on the display; the supply temperature to the central heating is adjusted automatically by the external temperature sensor according to the algorithm corresponding to figure 7-3. The opening and closing of the room thermostat stops or starts the boiler pump correspondingly. When the external temperature rises above the value set under parameter **2025** (heating stop spring temperature), the central heating service ends. It re-starts automatically when the external temperature drops below the temperature set under parameter **2025** again. Small corrections can be made to the supply temperature via parameter **2109**, as shown in figure 7-3.
- **2001 = 02**; "Climatic adjustment with TA compensation": The icon  appears on the display; the supply temperature to the central heating is adjusted automatically by the external temperature sensor according to the algorithm corresponding to figure 7-3. The opening of the room thermostat reduces the temperature of the supply to the central heating by a value set under parameter **2028**. The boiler pump operates constantly. When the external temperature rises above the value set under parameter **2025** (heating stop spring temperature), the central heating service ends. It re-starts automatically when the external temperature drops below the temperature set under parameter **2025** again. Small corrections can be made to the supply temperature via parameter **2109**, as shown in figure 7-3.
- **2001 = 03**; "Constant temperature with TA compensation": the central heating supply temperature is adjusted manually via the  or  keys. The opening of the room thermostat reduces the temperature of the supply to the central heating by a value set under parameter **2028**.
- **2001 = 04**; "Control from input 0-10 VDC with TA": The heating supply temperature is adjusted by means of the 0-10 VDC signal as shown in figure 5-11. The opening or closing of the room thermostat has priority over the 0-10 VDC signal adjustment.

## 7.9 - Thermostatic adjustment

The boiler is factory set with parameter **2001** at **00**, i.e. the boiler supplies hot water to the central heating system at a temperature adjusted using the **000+** or **000-** keys. Any room thermostat operates directly on the pump inside the boiler to adjust the heating of the rooms.

To make full use of the boiler efficiency, adjust the temperature to a value that is just sufficient to obtain the desired temperature in the rooms. If the season gets colder, progressively increase the value of the central heating temperature. Proceed in reverse order when the season goes towards warmer temperatures.

This very simple operating method is suitable for the following types of systems:

- small systems, with radiators and where there is one room whose temperature is characteristic of all other rooms;
- large systems, with radiators, where each area is controlled by its own room thermostat and the boiler pump is stopped only when all area thermostats are satisfied (appropriate electrical system set-up required);
- large systems, with radiant panels (low temperature), where each area is controlled by its own room thermostat and the boiler pump is stopped only when all area thermostats are satisfied (appropriate electrical system set-up required).

## 7.10 - Climatic adjustment

Access the "installer menu" to set parameter **2001** to **01**. The central heating supply temperature is related to the external temperature sensor according to the algorithm in figure 7-3. To adapt the calculation line to the various homes/climatic conditions, all adjustment parameters must be set according to the following sections. The calculated delivery temperature is visible by pressing the **000+** or **000-** key.

Corrections can be made to the line via parameter **2109**, as shown in figure 7-3.

### 7.10.1 - Climatic adjustment: which systems?

"Climatic adjustment" is a more sophisticated and precise adjustment than the "Thermostatic adjustment". This feature is able to make full use of boiler efficiency and is suitable for the following types of system:

- small systems, with radiators and where there is one room whose temperature is characteristic of all other rooms. The room thermostat makes the appropriate corrections to the room temperature by switching the boiler pump on and off.
- large systems, with radiators, where each area is controlled by its own room thermostat and the boiler pump is stopped only when all area thermostats are satisfied (appropriate electrical system set-up required);
- small systems, with radiant panels (low temperature), where there is one room whose temperature is characteristic of all other rooms. The room thermostat makes the appropriate corrections to the room temperature by switching the boiler pump on and off.
- large systems, with radiant panels (low temperature), where each area is controlled by its own room thermostat and the boiler pump is stopped only when all area thermostats are satisfied (appropriate electrical system set-up required).

### 7.10.2 - Climatic adjustment: precautions during adjustment

To set the supply temperature correctly, it is good practice to immediately set the line setting values in figure 7-3. If these values do not give a satisfactory result, make the relevant changes, keeping in mind that:

- every parameter must be adjusted in small degrees;
- after each change, wait at least 24 hours to see the result;
- the better the adjustment line corresponds to the real requirements of the building, the more the central heating in the building will provide comfort and the greater the energy savings will be;
- the small corrections highlighted in figure 7-3, i.e. moving the parallel line, can be made using parameter **2109**, in steps of 1°C more or 1°C less, up to 10°C.

### 7.10.3 - Climatic adjustment: setting the parameters

Access the "installer profile" (see section 7.16) to set:

- **2019** = the "Winter heating temperature", adjustable to between 20°C and 90°C. The supply temperature assumes the value set under this parameter when the external temperature corresponds to that set under parameter **2020**. The recommended start values are: 40°C for low-temperature systems (underfloor heating); 70°C for high-temperature systems (radiators);
  - **2020** = the "Outside winter temperature", adjustable to between -25°C and 25°C. This is the outdoor temperature used to define the heat output necessary for the system. The recommended start value for a typical home is -5°C;
  - **2021** = the "Spring heating temperature", adjustable to between 20°C and 90°C. The supply temperature assumes the value set under this parameter when the external temperature corresponds to that set under parameter **2022**. The recommended start values are: 30°C for low-temperature systems (underfloor heating); 40°C for high-temperature systems (radiators);
  - **2022** = "Outside spring temperature", adjustable to between 0°C and 30°C. This is the outdoor temperature at which the central heating is to reach the minimum supply temperature. The recommended start value is 20°C;
  - **2025** = "Heating stop spring temperature", adjustable to between 0°C and 35°C. When the outdoor temperature reaches the value set under this parameter, the central heating is switched off automatically. The central heating switches back on automatically when the outdoor temperature drops back to below this value. The recommended start value is 22°C.
- It is also possible to set the minimum and maximum central heating temperatures using the respective parameters **2110**, **2111**, **2023** and **2024** in section 7.16.



#### 7.10.4 - Climatic adjustment: adaptation to different climatic areas

The previously recommended values are for homes with average insulation and for climatic areas where the external temperature used for calculating the heat requirement is  $-5^{\circ}\text{C}$  (with these data and a high-temperature system, there is correspondence with the graph in figure 7-3). If the climatic

area is different, adjust parameter **2020**, "Outside winter temperature", so as to obtain a supply temperature of  $70^{\circ}\text{C}$  ( $40^{\circ}\text{C}$  in the case of "low-temperature" systems), when the external temperature is the one used as the basis for calculating the heat requirement.

#### 7.10.5 - Climatic adjustment: switching the central heating service on and off

The climatic adjustment service is completely automatic, including switch-off at the end of the season and switch-on

at the start of the next season via parameter **2025**. When the outside temperature rises above the value set under this parameter, the central heating switches off automatically. When the outside temperature drops back below the value set under this parameter, the central heating service switches back on automatically.

#### 7.10.6 - Climatic adjustment with room compensation

Access the "installer profile" (see section 7.16) to adjust

parameter **2001** to **02**. Everything operates exactly as in the previous sections on "Climatic adjustment", the only difference being that now the boiler pump is always on. Opening the room thermostat contact translates into a downward parallel translation of the line in figure 7-3 for the

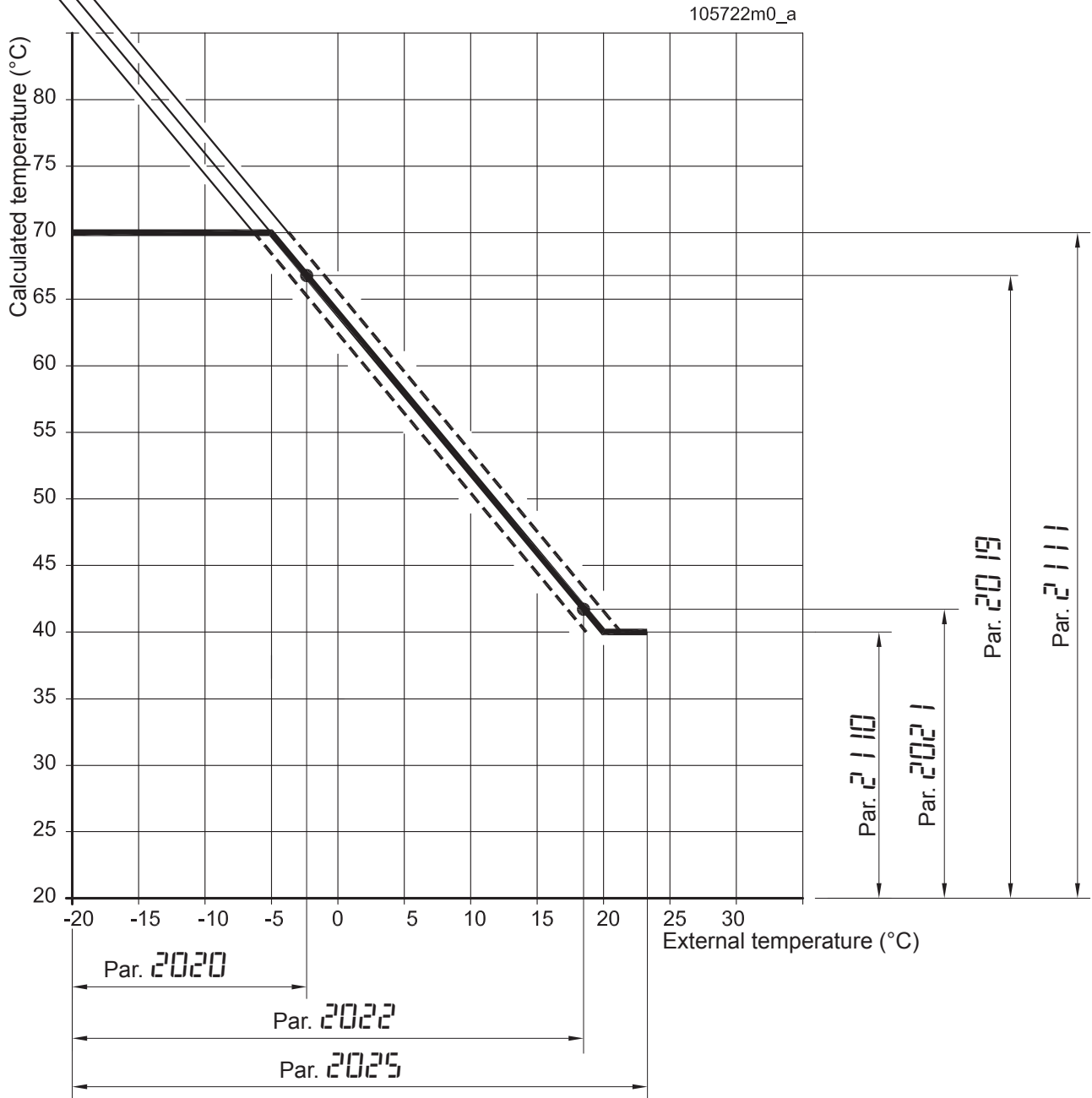
value set under parameter **2028**, which can be set from the "installer profile" (see section 7.16). Parameter **2028** can assume values between  $0^{\circ}\text{C}$  and  $30^{\circ}\text{C}$ . The values recommended for this parameter are:

- $10^{\circ}\text{C}$  for high-temperature systems (radiators)
- $3^{\circ}\text{C}$  for low-temperature systems (underfloor heating).

Values that are too high can translate into room temperature instability. Values that are too low can make the room thermostat ineffective.

The climatic adjustment with room compensation can be used in all cases specified in section 7.10.1, with the advantage that the pump's continuous operation stabilises the room temperatures and makes them uniform, especially where some of the heat system loops have flow resistances that are much higher than others.

Par. 2109



- Par. 2019 = - Winter heating temperature
- Par. 2020 = - Outside winter temperature
- Par. 2021 = - Spring heating temperature
- Par. 2022 = Outside spring temperature
- Par. 2025 = Heating stop spring temperature
- Par. 2109 = Adjusting the line parallelism
- Par. 2110 = Minimum heating temperature setting
- Par. 2111 = Maximum heating temperature setting

Figure 7-3 – Climatic adjustment graph for “high temperature” systems (with radiators)

## 7 - USE

### 7.11 - Timers for the various functions

To protect the lifespan of the appliance, improve comfort, and increase energy savings, timers have been introduced during operation. These time settings are as follows:

- Pump post-circulation: every time the room thermostat determines the end of the central heating service, the pump continues to operate for 3 minutes;
- Central heating delay: every time the domestic hot water service finishes, before the central heating service is reactivated, there is a standby period of 2 minutes;
- Pump and diverter valve anti-block function: every 24 hours, the central heating pump, the domestic hot water pump (if present) and the diverter valve are forced;
- Anti-legionella: if the boiler is connected to an indirect water heater for preparing DHW, every seven days the indirect water heater is forced to a temperature of 60°C to disinfect it and protect against legionella bacteria. This function is also activated two hours after the boiler has been powered electrically.
- Ignition delay: In all operating modes, excluding domestic hot water mode, every time the burner switches off, it waits 3 minutes before it ignites again.

### 7.12 - Pump and diverter valve anti-block function

During the summer, the pump switches on once every 24 hours for 15 seconds in order to prevent any deposits from blocking it. The diverter valve and the indirect water heater pump (if present) are activated at the same time for the same reason.

### 7.13 - Anti-freeze protection



**WARNING!** For the anti-freeze protection to be effective, the appliance must be left with the electrical power supply and gas supply present and the two services (domestic hot water and central heating) in the **OFF** position.



**WARNING!** The anti-freeze protection service offered by the boiler cannot guarantee anti-freeze protection of the central heating system, the domestic hot water system or the building itself, or a part of the same.

The central heating pump starts automatically when the boiler temperature reaches 7°C. If the temperature drops further to below 2°C, the burner also ignites to protect the boiler from the effects of freezing.

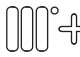

If the boiler is not used for a long period of time (over a year), empty it following the procedures in sections 8.19 and 8.20.



### 7.14 - Automatic system filling (on request)

The appliance is usually supplied with a manual cock for filling the central heating system. On request, the boiler can be manufactured with automatic system fill.


### 7.15 - "User profile"





Each time the appliance is switched on, the "user profile" opens by default.

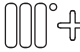
To adjust the heating setpoint, press the  or  keys;


to adjust the DHW setpoint, press the  and  keys.

To display the parameters that are available for consultation in this profile, press the RESET button once. The display "M" in

figure 7-1 shows parameter .

Press the  and  keys to scroll through the parameters within this profile. Once the desired parameter has been found, press the ENTER key to select it. Then use the  and  keys to change it and press the RESET key again to confirm the change.

To exit the parameter, press the  key.

To exit parameter consultation mode, press the  key. If no key is pressed for more than 60 seconds, consultation mode is exited automatically.

The following parameters can be examined in this profile:

Parameter	Description of the parameter	Access level	U.M.	Setting range	Factory value
0003	Central heating temperature requested	User	°C		Value
0048	DHW temperature requested	User	°C		Value
0200	Forcing	Installer	Test	OFF = No forcing FAN = fan only at maximum speed Lo = burner at minimum power Ign = burner at ignition power Hi = burner at maximum power rEg = burner at power regulated by parameter 2014; Stb = Burner stopped; LCO01 = Safety input 1 test (N/A) LCO02 = Safety input 2 test (N/A)	OFF
0901	Temperature unit of measurement	Factory	°C/°F	C/F	C
0902	Pressure unit of measurement	Factory	bar/psi	bar/psi	bar
0997	Display icon test	User			
0998	Installer access code	Factory	Code	0000-9999	0300
0999	Factory access code	Factory	Code	0000-9999	

#### Parameters for consultation only:

Parameter	Description of the parameter	Access level	U.M.
1001	Delivery temperature	User	°C
1002	Domestic hot water temperature (or indirect water heater temperature, if present)	User	°C
1003	Cold water temperature (N/A)	User	/
1004	External temperature (visible when an external temperature sensor is installed)	User	°C
1005	Delivery temperature (according to sensor)	User	°C
1006	Fumes temperature	User	°C
1007	Return temperature	User	°C
1008	Ionisation current (see section 8.22)	User	µA
1012	Temperature required by climatic curve or by input 0-10 V	User	°C

## 7 - USE

1013	Room thermostat input status (OPEN = no central heating request; CLOSED = central heating request)	User	OPEN/CLOSED
1014	Fumes temperature (according to sensor) (N/A)	User	(N/A)
1015	Cascade temperature	User	°C
1030	Burner status (2 = Stand by; 8 = Flame present; 11 = Post-circulation pump);	User	Value
1031	Error code	User	Value
1033	Central heating water pressure	User	bar
1040	Current fan speed	User	RPM
1041	Fan speed at ignition	User	RPM
1042	Fan speed at minimum power	User	RPM
1043	Fan speed at maximum power	User	RPM
1051	Last lock code (Loc) (see section 7.17.1) (255 means no locks)	User	Value
1052	Last error code (Err) (see section 7.17.2) (255 means no errors)	User	Value
1053	Number of failed flames	User	Value
1054	Number of successful ignition attempts	User	Value
1055	Number of failed ignition attempts	User	Value
1056	Operating hours in heating mode	User	hx10
1057	Operating hours in domestic hot water mode	User	hx10
1058	Total operating hours (power supply to the appliance)	User	days
1059	Time between last two locks (Loc)	User	1: mins 2: hours 3: days 4: weeks
1060	Time between last two errors (Err)	User	1: mins 2: hours 3: days 4: weeks
1061	Instant turbine speed	User	RPM
1062	Domestic hot water flow rate	User	l/min
1063	Input 0-10 V	User	volt
1090	Days until maintenance (negative when the deadline has expired)	User	days
1098	Command board version	User	Hexadecimal
1099	Appliance software version	User	Hexadecimal
1995	Display software version	User	Hexadecimal

\* N/A = Not applicable;

## 7 - USE

### 7.16 - "Installer profile"



**WARNING! Changing these parameters could cause boiler and therefore system malfunctions. For this reason, only a technician that has an in-depth knowledge of the appliances can modify them.**

To analyse the operation and adaptation of the appliance to the system, the technician has access to the parameters below via the "installer profile".

To access this profile:

1.- Press the RESET key; the display "M" in figure 7-1

shows parameter 0.000. Use keys + and - to scroll to the CODE parameter and press RESET to access it.

2.- Type the code 0300 in the following way:

use keys + and - to select the values:

0 and confirm with the RESET key;

3 and confirm with the RESET key;

0 and confirm with the RESET key;

0 and confirm with the RESET key;

3.- The + and - keys can be used to scroll through the parameters within this profile:

4.- Once the desired parameter is displayed, it can be changed as follows:

a.- Press the RESET key to access the parameter (the display "N" in figure 7-1 starts to flash);

b.- Modify the value of the parameter using the + and - keys;

c.- Press the RESET key to confirm the change and go back to the list of parameters;

5.- Press the + key twice to exit.

If no key is pressed for more than 5 minutes, the menu returns to the "user" profile. Any changes to data that have not been confirmed using the RESET key will be lost.



**WARNING! Any variations made to the parameters must be noted in the "Customised values" column in the following table, in order to facilitate any future replacements of the command and control board.**

The following parameters can be changed or examined in this profile:

Parameter	Description of the parameter	Access level	U.M.	Setting range	Factory value	Customised values
2001	Central heating mode	Installer	#	0 = Constant temperature with TA; 1 = Climatic with TA; 2 = Climatic compensated by TA; 3 = Constant temperature compensated by TA; 4 = Control from input 0-10 V with TA; 5 = N/A	0	
2003	Central heating temperature requested	Installer	°C	30-80	60	
2005	Heating post-circulation pump	Installer	Secs	0-900	120	
2006	Maximum fumes temperature	Factory	°C	10-120	95	
2007	Heating positive hysteresis	Factory	°C	0-20	5	
2009	Delay against frequent burner ignition	Installer	Secs	10-900	180	
2010	Temperature differential against frequent burner ignition	Installer	°C	0-20	16	
2012	Maximum differential heat exchanger temperature	Factory	°C	10-80	30	
2013	Maximum differential heat exchanger temperature delay	Factory	Secs	10-250	10	
2014	Central heating maximum power	Installer	%	1-100	75	
2015	Central heating minimum power	Installer	%	1-75	1	
2016	Heating PID factor P	Factory	#	0-1275	20	
2017	Heating PID factor I	Factory	#	0-1275	100	
2018	Heating PID factor D	Factory	#	0-1275	0	
2019	Climate - Winter heating temperature	Installer	°C	20-90	80	
2020	Climate - Outside winter temperature	Installer	°C	-25-25	-5	
2021	Climate - Spring heating temperature	Installer	°C	20-90	40	
2022	Climate - Outside spring temperature	Installer	°C	0-30	20	

## 7 - USE

2023	Climatic - Minimum heating temperature (priority over Par. 2021)	Installer	°C	0-80	30	
2024	Climatic - maximum heating temperature (priority over Par. 2019)	Installer	°C	27-90	80	
2025	Climatic - Heating stop spring temperature	Installer	°C	0-35	22	
2026	Heating acceleration increase (N/A)	Installer	°C	0-30	0	
2027	Heating acceleration delay (N/A)	Installer	min	1-120	0	
2028	Night heating reduction by opening TA	Installer	°C	0-30	10	
2035	DHW mode	Installer	#	0 = No domestic hot water; 1 = Puffer with temperature sensor; 2 = Puffer with thermostat; 3 = N/A; 4 = N/A; 5 = Plate heat exchanger; 6 = N/A; 7 = Hot water heater with recirculation control; 8 = Hot water heater;	5	
2036	Puffer negative hysteresis	Factory	°C	0-20	3	
2037	Puffer positive hysteresis	Factory	°C	0-20	3	
2038	Delivery temperature increase for puffer	Installer	°C	0-30	0	
2039	Puffer fill delivery negative hysteresis	Factory	°C	0-20	5	
2040	Puffer fill delivery positive hysteresis	Factory	°C	0-20	5	
2041	Puffer maintenance temperature (N/A)	Factory	°C	0-10	5	
2042	DHW priority mode with puffer	Installer	#	0 = Time (time set under par. 2043); 1 = Heating priority; 2 = DHW priority; 3 = N/A;	2	
2043	DHW/heating priority timing	Installer	min	1-255	60	
2044	DHW post-circulation	Installer	Secs	0-900	40	
2045	Puffer PID factor P	Factory	#	0-1275	50	
2046	Puffer PID factor I	Factory	#	0-1275	270	
2047	Puffer PID factor D	Factory	#	0-1275	0	
2048	DHW temperature requested	Installer	°C	40-80	50	
2049	Instant DHW negative hysteresis	Factory	°C	0-20	5	
2050	Instant DHW positive hysteresis	Factory	°C	0-20	5	
2051	Instant DHW PID factor P	Factory	#	0-1275	50	
2052	Instant DHW PID factor I	Factory	#	0-1275	270	
2053	Instant DHW PID factor D	Factory	#	0-1275	0	
2060	DHW flow rate detection	Factory	l/min	0.1-20.0	2.5	
2061	Flow rate at which the setpoint can be reached at minimum power (N/A)	Factory	l/min		2.5	
2062	Flow rate at which the setpoint can be reached at maximum power (N/A)	Factory	l/min		2.5	
2063	DHW modulation timing ON/OFF	Factory	Secs		30	

## 7 - USE

2064	DHW recirculation pre-heat mode (only for 2035 = 7)	Installer	#	0 = Off; 1 = Antifreeze (N/A) 2 = Eco (recirculation kept at value set under 2065); 3 = Comfort (recirculation keep at DHW temperature);	0	
2065	ECO recirculation temperature (see par. 2064)	Factory	°C	20-60	30	
2067	Recirculation pre-heat timer after call	Factory	Secs	0-255	30	
2068	DHW timer after call	Factory	Secs	0-255	120	
2069	Recirculation pre-heat negative hysteresis	Factory	°C	0-30	0	
2070	Recirculation pre-heat positive hysteresis	Factory	°C	0-30	5	
2071	Recirculation pre-heat delay	Factory	Secs	0-15	10	
2091	Maximum DHW temperature setting	Installer	°C	50-90	60	
2092	Maximum fan speed setting	Factory	RPM	1750-9999		
2093	Minimum fan speed setting	Factory	RPM	500-7050		
2094	Setting fan speed ignition	Factory	RPM	1950-7050		
2096	Minimum DHW temperature setting	Installer	°C	20-50	40	
2109	Climatic offset adjustment (parameter 2001 = 1 or 2)	Installer	°C	OFF - 10-10	0	
2110	Minimum heating temperature setting for 0-10 V control (2001 = 4)	Installer	°C	20-50	20	
2111	Maximum heating temperature setting for 0-10 V control (2001 = 4)	Installer	°C	50-90	80	
2112	Central heating negative hysteresis	Factory	°C	0-20	5	
2113	Maximum power in DHW mode	Installer	%	50-100	100	
2114	Minimum power in DHW mode	Installer	%	1-30	1	
2115	DHW puffer temperature setting	Installer	°C	20-80	50	
2116	Programmable input J7 2-3 Central heating pressure sensor	Installer	#	0 = Disabled 1 = Enabled 2 = N/A 3 = N/A	1	
2117	Programmable input J7 7-8 1 = Instantaneous DHW flow sensor; 2 = Instantaneous DHW thermostat; 3 = Heat exchanger flow sensor;	Installer	#	0 = Disabled 1 = Enabled point 1 2 = Enabled point 2 3 = Enabled point 3 4 = N/A;	1	
2118	Programmable input J7 9-10	Installer	#	0 = Disabled 2 = N/A	0	
2120	Programmable input J6 3-10 Return temperature sensor	Installer	#	0 = Disabled 1 = Enabled	1	
2121	Programmable input J6 5-12 Fumes temperature sensor	Installer	#	0 = Disabled 1 = Enabled 2 = N/A	1	
2122	Programmable input J6 6-13 Cascade sensor	Installer	#	0 = Disabled 1 = N/A 3 = Enabled	3	
2123	Programmable input J7 2-4	Installer	#	0 = Disabled 1 = N/A 3 - 6 = N/A	0	
2124	Room thermostat programmable input	Installer	#	0 = Disabled 1 = Enabled	1	
2125	Programmable output 1 J3 3-8 6 = Alarm 7 = Automatic filling	Installer	#	0 = Disabled 1-5 = Not applicable 6 = Enabled point 6 7 = Enabled point 7	0	



## 7 - USE

2126	Programmable output 2 J3 5-10 9 = External spark generator	Factory	#	0 = Disabled 1-8 = N/A 9 = Enabled point 9 10 = N/A	9	
2127	Programmable output 3 J3 6	Installer	#	0 = Disabled 1-10 = N/A	0	
2128	Output setting 18 = 3-way DHW valve in standby 20 = 3-way central heating valve in standby	Installer	#	0 = Disabled 1-17 = N/A 18 = Enabled point 18 19 = N/A 20 = Enabled point 20	20	
2129	Domestic hot water flow rate sensor	Installer	#	0 = Bitron 1 = Huba DN8 2 = Huba DN10 3 = Huba DN15 4 = Huba DN20 5 = N/A	0	
2130	Domestic hot water flow rate factor (N/A)	Installer	l/min	0-25.5	3.2	
2131	Minimum central heating water pressure	Installer	bar	OFF 0.1-5.0	0.8	
2132	Automatic filling hysteresis	Installer	bar	OFF 0.1-1.0	0.5	
2133	Modulating pump temperature differential	Installer	°C	5-40	15	
2134	Modulating pump ignition time	Installer	Secs	0-255	120	
2135	Type of modulating pump	Installer	#	0 = Wilo Yonos; 1 = Salmson; 2 = Grundfos;	0	
2136	Modulating pump mode	Installer	#	0 = Not modulating 1 = Modulating 2 = N/A 3 = N/A 4 = fixed speed at 40% 5 = fixed speed at 50% 6 = fixed speed at 60% 7 = fixed speed at 70% 8 = fixed speed at 80% 9 = fixed speed at 90% 10 = fixed speed at 100%	10	
2137	Minimum pump modulation power	Installer	%	0-100	40	
2138	Fan speed map	Installer	#	50-55	50	
2139	Air bleed function (N/A)	Installer		0-2	0	
2140	Minimum heat exchanger water flow rate (N/A)	Installer	l/min/10	0-10	0.8	
2141	Rated heat exchanger water flow rate (N/A)	Installer	l/min/10	0-10	4.3	
2201	Enable/disable central heating	Installer		EnA = Enabled dIS = Disabled	EnA	
2202	Enable/disable domestic hot water	Installer		EnA = Enabled dIS = Disabled	EnA	
2203	Setting maintenance requests	Installer		ON = On OFF = Off RST = Reset	OFF	
2204	Days until maintenance request	Installer	days	30-1275	1000	
2205	Anti-freeze protection	Installer		EnA = Enabled dIS = Disabled	EnA	
2206	Anti-legionella	Installer		EnA = Enabled dIS = Disabled	EnA	
2207	DHW detection delay	Installer	secs	0-255	1	

## 7.16.1 - Parameters for cascade systems



**WARNING! Changing these parameters could cause boiler and therefore system malfunctions. For this reason, only a technician that has an in-depth knowledge of the appliances can modify them.**

For systems with appliances installed in a cascade, the following parameters can be changed or examined (accessible from the installer profile only):

Parameter	Description of the parameter	Access level	U.M.	Setting range	Factory value	Customised values
4072	Emergency mode	Installer		NO/YES	NO	
4074	Emergency temperature	Installer	°C	20-90	45	
4075	Next module ignition delay	Installer	Secs	5-1275	60	
4076	Next module shutdown delay	Installer	Secs	5-1275	60	
4077	Module ignition negative hysteresis	Factory	°C	0-20	5	
4078	Module shutdown positive hysteresis	Factory	°C	0-20	5	
4079	Cascade temperature maximum decrease	Installer	°C	0-20	6	
4080	Cascade temperature maximum increase	Installer	°C	0-20	6	
4081	Modulation delay	Installer	min	0-60	1	
4082	Next module insertion power	Installer	%	10-100	80	
4083	Next module removal power	Installer	%	10-100	40	
4084	Rotation interval	Installer	days	0-30	5	
4086	Cascade temperature control PID, parameter P	Factory	#	0-1275	20	
4087	Cascade temperature control PID, parameter I	Factory	#	0-1275	300	
4142	Next module rapid ignition delay	Installer	Secs	5-1275	30	
4143	Next module rapid shutdown delay	Installer	Secs	5-1275	30	
4144	Module rapid ignition negative hysteresis	Factory	°C	0-20	5	
4145	Module rapid shutdown positive hysteresis	Factory	°C	0-20	5	
4146	All module shutdown positive hysteresis	Installer	°C	0-20	7	
4147	Number of modules in cascade (Master included)	Installer	#	0-8	0	
4148	Power management 0 = modulation on cascade temperature; 1 = minimum number of active modules; 2 = maximum number of active modules; 3 = balanced number of active modules;	Installer	#	0 = Enabled point 0 1 = Enabled point 1 2 = Enabled point 2 3 = Enabled point 3	2	
4149	First module igniting (due to rotation)	Installer	#	1-8	1	
4150	Positive power turn PID	Factory	#	0-26	0	
4151	Negative power turn PID	Factory	#	0-26	0	
4152	Power management 2 (parameter 4148) – Minimum power	Installer	%	0-100	10	
4153	Power management 2 (parameter 4148) – hysteresis	Installer	%	0-100	40	
4154	Cascade pump post-circulation	Installer	Secs	0-255	60	
4155	Cascade sensor anti-freeze temperature	Installer	°C	10-30	15	
4184	Module logical address	Installer	#	0-8	0	

## 7.17 - Diagnostics

During normal appliance operation, the display “N” in figure 7-1, shows the working status of the appliance via the following indications:

Parameter	Description of the parameter	Display “N” in figure 7-1
<i>ALtE</i>	Boiler not locked but alarm pending	Alarm code (see section 7.17.3 for code key)
<i>FILL</i>	System pressure too low, perform filling (see section 6.1.3)	FILL
<i>Loc</i>	Boiler in lock mode. To reset, press and hold the <b>RESET</b> button until the <i>rSt</i> message is displayed. If the lockout occurs frequently, contact a professional qualified technician	Lock code (see section 7.17.1 for code key)
<i>Err</i>	Boiler in error mode. Restore operation by resolving the cause of the anomaly. Contact a professionally qualified technician	Error code (see section 7.17.2 for code key)
<i>ALeG</i>	Anti-legionella function running (see section 7.11). It will end when the water in the indirect water heater reaches 60°C.	Indirect water heater temperature (°C)
<i>SEr</i>	Boiler maintenance request	

### 7.17.1 - Diagnostics: locks “Loc”

Once the type of “Loc” has been displayed and the appropriate checks and solutions have been found and carried out, reset the appliance by pressing and holding the RESET button (detail “B” in figure 7-1) until the “rSt” message is displayed.

Lock	Lock description	Checks	Solutions
Loc 0	Internal memory error E2prom at command board		Replace the command and control board.
Loc 1	No flame detection after three successive ignition attempts	<p>Check: supply gas pressure (see section 6.6), sparks on the ignition electrodes (see section 8.6); 230 VAC electric power supply to the gas valve; electric resistance of the two gas valve coils of 0.88 kohm and 6.59 kohm.</p> <p>If the burner comes on and goes off at the end of the ignition attempt, check: that the ionisation current is above 4 (see section 8.22)</p>	<p>If the supply pressure is not correct, adjust the components before the appliance to restore the correct value. If the current at the gas valve is not 230 VAC, replace the command and control board. If the electric resistance of the gas valve is not 0.88 kohm and 6.59 kohm, replace the valve.</p> <p>If the ionisation current is not over 4, check the CO<sub>2</sub> (see section 6.7) and restore it to the correct value. Check the ionisation spark plug and replace it if necessary. Check the integrity of the ionisation current electric circuit cables.</p>
Loc 2	Gas valve command relay broken		Replace the command and control board.
Loc 3	The appliance has reached the maximum intervention temperature	<p>Check that the pump works;</p> <p>Check that the electrical resistance of the two sensors matches the graph in section 8.24;</p> <p>Check that the high limit flue gas temperature fuse has not been triggered;</p>	<p>Restore the water circulation or replace the command and control board;</p> <p>If either or both of the sensors are not within the correct values, replace them;</p> <p>If the flue gas temperature fuse has been triggered (the contact is open), carefully check the appliance efficiency as detailed in section 8.23 before replacing it; <b>WARNING! If the efficiency is not within the specified limits, DO NOT ATTEMPT TO RESET THEM. Please contact the manufacturer.</b></p>
Loc 4	Boiler in error mode for more than 20 hours	Check the last error displayed on the board.	Respond according to the last error displayed.

## 7 - USE

Loc 5	Fan stopped for more than 60 seconds	Check it is powered at 300 VDC.	If the fan is powered, it must be replaced; otherwise, replace the command board.
Loc 6	Fan too slow for more than 60 seconds	Check it is powered at 300 VDC.	If the fan is powered, it must be replaced; otherwise, replace the command board.
Loc 7	Fan too fast for more than 60 seconds	Check it is powered at 300 VDC.	If the fan is powered, it must be replaced; otherwise, replace the command board.
Loc 8	Software error on the command board		Replace the command board.
Loc 9	Content of the command board internal memory E2prom not updated		Replace the command board.
Loc 10	E2prom memory parameters incorrect		Replace the command board.
Loc 11	Software error on the command board		Replace the command board.
Loc 12	Software error on the command board		Replace the command board.
Loc 13	Software error on the command board		Replace the command board.
Loc 14	Software error on the command board		Replace the command board.
Loc 15	Flue fuse  The supply temperature exceeds 105°C with the gas valve closed	Check that the high limit flue gas temperature fuse has not been triggered  Check that the electrical resistance of the two supply sensors matches the graph in section 8.24.  Check that the gas valve closes the gas correctly when the burner switches off.	If the flue gas temperature fuse has been triggered (the contact is open), carefully check the appliance efficiency as detailed in section 8.23 before replacing it; <b>WARNING! If the efficiency is not within the specified limits, DO NOT ATTEMPT TO RESET THEM. Please contact the manufacturer.</b>  If one of the two sensors does not match, the double supply sensor must be replaced.  The gas valve must be replaced if it does not close correctly.
Loc 16	Exhaust flue maximum temperature. <b>WARNING! If the lock is repeated more than once a day, turn off the appliance and contact a qualified service centre. NOT ATTEMPT TO REPAIR THE APPLIANCE.</b>	Check there is no air in the central heating circuit; bleed the highest radiators;  Check the circulation pump is operating correctly;  Check that the flue exhaust temperature is not more than 30°C above the return temperature;  Measure the boiler efficiency; it must correspond to value declared in the technical features.	Bleed the air from the boiler and from the highest central heating elements with respect to the boiler.  If the pump is not working, it must be replaced.  If the difference between the return temperature and the flue gas temperature is above 30°C, contact a qualified service centre.  If the efficiency does not correspond to the data at the end of the manual, the primary heat exchanger is probably dirty from the flue gas side or the water side. Clean and check efficiency again.
Loc 17	Software error on the command board		Replace the command board.
Loc 18	Software error on the command board		Replace the command board.
Loc 19	Software error on the command board		Replace the command board.
Loc 20	Flame present 10 seconds after gas valve is closed		Replace the gas valve or the command board.
Loc 21	Flame present before ignition		Replace the gas valve or the command board.

## 7 - USE

Loc 22	Flame lost three times	<p>Check that the ionisation current is above 4 (see section 8.22)</p> <p>Check that the fumes exhaust is properly protected against obstructions caused by gusts of wind</p>	<p>If the ionisation current is not over 4, check the CO2 (see section 6.7) and restore it to the correct value. Check the ionisation spark plug and replace it if necessary. Check the integrity of the ionisation current electric circuit cables.</p> <p>If the flue gas outlet is on a vertical wall it must be protected by a windproof grill; if the flue gas outlet is on the roof, check that it is not in a area where there is flowback, and that any windproof chimney that may be provided is really effective</p>
Loc 23	Software error on the command board		Replace the command board.
Loc 24	Software error on the command board		Replace the command board.
Loc 25	The two supply sensors measure temperatures that are at least 10°C different for more than 60 seconds.	Check that the electrical resistance of the two sensors matches the graph in section 8.24;	If either or both of the sensors are not within the correct values, replace them;
Loc 26	Software error on the command board		Replace the command board.
Loc 27	Too many system loads in one hour	Check the pressure switch calibration pressure. "FILL" must appear when the pressure drops below 0.6 bar and disappear when the pressure rises above 1.5 bar; check that there are no water leaks from the central heating system	If the pressure switch is not calibrated correctly, it must be replaced. If the system has a leak, it must be repaired.
Loc 28	System filling time too long	Check the pressure switch calibration pressure. "FILL" must appear when the pressure drops below 0.6 bar; check that there are no water leaks from the central heating system	If the pressure switch is not calibrated correctly, it must be replaced. If the system has a leak, it must be repaired.
Loc 29	Software error on the command board		Replace the command board.
Loc 30	Software error on the command board		Replace the command board.
Loc 31	Software error on the command board		Replace the command board.
Loc 32	Software error on the command board		Replace the command board.
Loc 33	Software error on the command board		Replace the command board.
Loc 34	Software error on the command board		Replace the command board.
Loc 35	Software error on the command board		Replace the command board.
Loc 36	Software error on the command board		Replace the command board.
Loc 37	Software error on the command board		Replace the command board.
Loc 38	Software error on the command board		Replace the command board.

## 7.17.2 - Diagnostics: errors "Err"

Error	Error description	Checks	Solutions
Err 100	Software error on the command board		Replace the command board.
Err 101	Software error on the command board		Replace the command board.
Err 102	Software error on the command board		Replace the command board.
Err 103	Software error on the command board		Replace the command board.
Err 104	Software error on the command board		Replace the command board.
Err 105	The supply temperature exceeds 95°C with the gas valve closed	Check that the electrical resistance of the two supply sensors matches the graph in section 8.24.  Check that the gas valve closes the gas correctly when the burner switches off.	If one of the two sensors does not match, the double supply sensor must be replaced.  The gas valve must be replaced if it does not close correctly.
Err 106	Software error on the command board		Replace the command board.
Err 107	Software error on the command board		Replace the command board.
Err 108	Software error on the command board		Replace the command board.
Err 109	Software error on the command board		Replace the command board.
Err 110	Software error on the command board		Replace the command board.
Err 111	0-10 V input polarity reversed  Software error on the command board	Check the polarity input 0-10 V	Restore correct polarity  Replace the command board.
Err 112	Software error on the command board		Replace the command board.
Err 113	0-10 V input polarity reversed  Software error on the command board	Check the polarity input 0-10 V	Restore correct polarity  Replace the command board.
Err 114	Flame detected in a moment when it should not be		Replace the gas valve or the command board.
Err 115	Low central heating water pressure	Check the pressure switch calibration pressure. "FILL" must appear when the pressure drops below 0.6 bar; check that there are no water leaks from the central heating system.	If the pressure switch is not calibrated correctly, it must be replaced. If the system has a leak, it must be repaired.
Err 116	Central heating water pressure sensor error	Check the pressure switch calibration pressure. "FILL" must appear when the pressure drops below 0.6 bar; check that there are no water leaks from the central heating system.	If the pressure switch is not calibrated correctly, it must be replaced. If the system has a leak, it must be repaired.
Err 117	Software error on the command board		Replace the command board.
Err 118	Software error on the command board		Replace the command board.
Err 119	Return sensor circuit (1007) open	Check that the electric resistance of the sensor matches the graph in section 8.24. Check the electric cables for connection between the sensor and the command board.	If the electric resistance does not match, replace it. If the electric circuit is damaged, repair it. Where neither of the two previous cases apply, replace the command board.
Err 120	Supply sensor circuit 1 (1001) open	Check that the electric resistance of the sensor matches the graph in section 8.24. Check the electric cables for connection between the sensor and the command board.	If the electric resistance does not match, replace it. If the electric circuit is damaged, repair it. Where neither of the two previous cases apply, replace the command board.

## 7 - USE

Err 121	Supply sensor circuit 2 (1005) open	Check that the electric resistance of the sensor matches the graph in section 8.24. Check the electric cables for connection between the sensor and the command board.	If the electric resistance does not match, replace it. If the electric circuit is damaged, repair it. Where neither of the two previous cases apply, replace the command board.
Err 122	Domestic hot water sensor circuit (1002) open	Check that the electric resistance of the sensor matches the graph in section 8.24. Check the electric cables for connection between the sensor and the command board.	If the electric resistance does not match, replace it. If the electric circuit is damaged, repair it. Where neither of the two previous cases apply, replace the command and control board.
Err 123	Fumes sensor circuit 1 (1006) open	Check that the electrical resistance of the fumes sensor 1006 matches the graph in section 8.24  Check that the wires between the board and the double fumes sensor are connected correctly	If the sensor does not match, the double fumes sensor must be replaced.  If the wires are not connected correctly, the connections must be restored.
Err 124	Fumes 2 sensor circuit (1014) open (N/A)	Check that the electrical resistance of the fumes sensor 1014 matches the graph in section 8.24  Check that the wires between the board and the double fumes sensor are connected correctly	If the sensor does not match, the double fumes sensor must be replaced.  If the wires are not connected correctly, the connections must be restored.
Err 125	External temperature sensor circuit (1004) open	Check that the electrical resistance of the external temperature sensor (1004) matches the graph in section 8.25  Check that it has been connected correctly	If the sensor does not match, it must be replaced.  If the wires are not connected correctly, the connections must be restored.
Err 126	Return sensor circuit (1007) in short circuit condition	Check that the electric resistance of the sensor matches the graph in section 8.24. Check the electric cables for connection between the sensor and the command board.	If the electric resistance does not match, replace it. If the electric circuit is damaged, repair it. Where neither of the two previous cases apply, replace the command and control board.
Err 127	Supply sensor circuit 1 (1001) in short circuit condition	Check that the electric resistance of the sensor matches the graph in section 8.24. Check the electric cables for connection between the sensor and the command board.	If the electric resistance does not match, replace it. If the electric circuit is damaged, repair it. Where neither of the two previous cases apply, replace the command and control board.
Err 128	Supply sensor circuit 2 (1005) in short circuit condition	Check that the electric resistance of the sensor matches the graph in section 8.24. Check the electric cables for connection between the sensor and the command board.	If the electric resistance does not match, replace it. If the electric circuit is damaged, repair it. Where neither of the two previous cases apply, replace the command and control board.
Err 129	Domestic hot water sensor circuit (1002) in short circuit condition	Check that the electric resistance of the sensor matches the graph in section 8.24. Check the electric cables for connection between the sensor and the command board.	If the electric resistance does not match, replace it. If the electric circuit is damaged, repair it. Where neither of the two previous cases apply, replace the command and control board.
Err 130	Fumes sensor circuit 1 (1006) in short circuit condition	Check that the electrical resistance of the fumes sensor 1006 matches the graph in section 8.24  Check that the wires between the board and the double fumes sensor are connected correctly	If the sensor does not match, the double fumes sensor must be replaced  If the wires are not connected correctly, the connections must be restored
Err 131	Fumes sensor circuit 2 (1014) in short circuit condition (N/A)	Check that the electrical resistance of the fumes sensor 1014 matches the graph in section 8.24  Check that the wires between the board and the double fumes sensor are connected correctly	If the sensor does not match, the double fumes sensor must be replaced  If the wires are not connected correctly, the connections must be restored
Err 133	Incorrect electrical mains frequency	Check that the electrical frequency is 50 Hz	If the frequency is not 50 Hz, contact your electricity supplier  If the frequency is 50 Hz, replace the command board
Err 134	RESET key pressed too many times in short period	Wait 5 seconds after each press of the RESET key	
Err 135	Software error on the command board		Replace the command board.
Err 136	Software error on the command board		Replace the command board.
Err 137	Software error on the command board		Replace the command board.
Err 138	Software error on the command board		Replace the command board.

## 7 - USE

Err 139	Software error on the command board		Replace the command board.
Err 140	Software error on the command board		Replace the command board.
Err 141	Software error on the command board		Replace the command board.
Err 142	Software error on the command board		Replace the command board.
Err 143	Software error on the command board		Replace the command board.
Err 144	Software error on the command board		Replace the command board.
Err 145	Software error on the command board		Replace the command board.
Err 146	Software error on the command board		Replace the command board.
Err 147	Software error on the command board		Replace the command board.
Err 148	Software error on the command board		Replace the command board.
Err 149	Software error on the command board		Replace the command board.
Err 150	Software error on the command board		Replace the command board.
Err 151	Software error on the command board		Replace the command board.
Err 152	Software error on the command board		Replace the command board.
Err 153	Software error on the command board		Replace the command board.
Err 154	Software error on the command board		Replace the command board.
Err 155	Software error on the command board		Replace the command board.
Err 156	Software error on the command board		Replace the command board.
Err 157	Software error on the command board		Replace the command board.
Err 158	Software error on the command board		Replace the command board.
Err 159	Software error on the command board		Replace the command board.
Err 160	Software error on the command board		Replace the command board.
Err 161	Software error on the command board		Replace the command board.
Err 162	Fill alert	The pressure is too low. The request is interrupted but no error must be stored at this time	
Err 163	Software error on the command board		Replace the command board.
Err 164	Software error on the command board		Replace the command board.
Err 165	Supply current too low	Power supply current too low for more than 60 seconds	
Err 166	Supply current too high	Power supply current too high for more than 60 seconds	

N/A = Not applicable;



## 7.17.3 - Diagnostics: alarms "AttE"

Alarm	Alarm description	Checks	Solutions
AttE 200	Lost cascade communication	System with appliances in a cascade. The cascade management system has lost the connection with one of the appliances. Possible causes: a - one of the appliances in the cascade is OFF; b - the communication BUS between the appliances (A-Link) is interrupted in one or more points; c - parameters 4184 and/or 4147 are not set according to the rules in section 5.15; d - the S4 switches are not positioned as described in section 5.15;	a - switch the appliance off by resolving the problem that caused it to shut down; b - restore the BUS communication between the appliances; C - set parameters 4184 and/or 4147 correctly, according to the rules in section 5.15 d - position the S4 switches as described in section 5.15.
AttE 201	Protective anode active	N/A	Replace the command and control board
AttE 202	Connected appliance recognition error	N/A	Replace the command and control board
AttE 203	Communication lost with appliance connected in cascade	N/A	Replace the command and control board
AttE 204	External probe error (contact open or short-circuited)	Check the electrical resistance of the sensor;  Check that it has been connected correctly.	If the electric resistance does not match, replace it. If the electric circuit is damaged, repair it. Where neither of the two previous cases apply, replace the command and control board.
AttE 205	Cascade probe error (contact open or short-circuited)	Check the electrical resistance of the sensor;  Check that it has been connected correctly.	If the electric resistance does not match, replace it. If the electric circuit is damaged, repair it. Where neither of the two previous cases apply, replace the command and control board.
AttE 206	Cascade probe error (contact open or short-circuited)	N/A	Replace the command and control board

### 8.1 - General recommendations

Perform regular yearly maintenance on the central heating system for the following reasons:

- to maintain high efficiency and save fuel;
- to maintain a high level of safety;
- to maintain the high level of combustion environmental compatibility;

In order to maintain the frequency of maintenance, there is a parameter **2203** in the installer menu (see section 7.16), which is used to activate the maintenance call

(Service), along with parameter **2204** which is used to set the operating days that must pass between one call and the next.

The control system identifies the operating days, checking the burner activity time.

Proceed as follows to activate the call service:

1.- Access the Installer profile (see section 7.16) and set

parameter **2203** to **On**;

2.- Access parameter **2204** and set the boiler operating days which must pass between one call and the next.

The call will be executed with the message "SE r" on the display. To remove the message "SE r" and renew the call period, do as follows:

1.- Access the "Installer" profile;

2.- Access parameter **2203** and set it to **Off**.

The call time has now been reset and the message "SE r" appears on the display.



**WARNING! Appliance maintenance must be carried out only by a professionally qualified technician.**



**WARNING! During maintenance operations, to ensure the appliance operates correctly, check its condition and operation, and check for any water leakages from any of the air vent valves on the appliance.**



**WARNING! Before any maintenance work, disconnect the appliance from the electrical power supply, using the relevant switch nearby.**



**WARNING! Close the gas cock before any maintenance work**

### 8.2 - Maintenance protocol

- Clean the burner and the primary heat exchanger (fumes side); check the condition of the thermal insulators and seals  
(See section 8.5);
- Check the system water pressure; check for leaks  
(See section 8.2.1);
- Check the gas supply pressure; check for gas leaks  
(Follow sections 6.6 and 8.2.2);
- Check and clean the condensate drain system  
(See section 8.10);
- Check the condition of the safety valve  
(See section 8.2.3);
- Check the condition of the expansion tank  
(See section 8.9);
- Check the condition of the safety and control devices  
(See section 8.2.4);
- Check the condition of the electrical system  
(See section 8.2.5);
- Check the burner is calibrated correctly in DHW and heating mode  
(See section 6.7);
- Check the operation of the main switch and the temperature setting in DHW and heating mode  
(See sections 8.2.6 and 8.2.7);
- Check that the device against the lack of gas is triggered and check the intervention time  
(See section 8.2.8);
- Check the condition of the air intake and flue exhaust ducts  
(See section 8.2.9);
- Check the ignition and detection electrodes  
(See sections 8.2.10 and 8.6);
- Check the condition and operation of the air vent valves  
(See section 8.2.11);
- Check the appliance efficiency  
(See section 8.23);

#### 8.2.1 - Checking the system water pressure and any leaks

1. - Check that the system is full of water and pressurised as reported in section 9 "Technical data". Check the system when cold and after each time the system is filled.
2. - Check for leaks in the hydraulic connections.



**WARNING!** Remove any leaks from the system or the appliance. Continuously adding new water leads to increased minerals that reduce the cross-section of the passage, decreasing heat exchange and causing the heat exchangers to overheat. All of this leads to failures and reduces the appliance life.

#### 8.2.2 - Checking the gas pressure and any leaks

- 1.- Check the gas supply pressure is correct, as stated in section 9 "Technical data".
2. - Make sure there are no gas leaks in the system;
3. - Check for gas leaks using a leak detector (bubble or similar) or an equivalent system, thoroughly checking the entire gas route from the meter to the appliance.



**WARNING!** Do not carry out these checks in the presence of naked flames.

#### 8.2.3 - Checking the condition of the safety valve

1. - Visually check that the safety valve does not have any obstructions in the drain pipe, signs of corrosion, physical damage, water marks or signs of rust.
2. - In case of obstructions in the drain pipe proceed with cleaning the pipe; in case of other damage indicated above proceed with replacing the valve.

## 8 - MAINTENANCE

---

### 8.2.4 - Checking the condition of the safety and control devices

1. - Check any interventions of the safety and control devices by consulting the appliance diagnostics;
2. - Visually check that the safety and control devices show no signs of corrosion or physical damage;
3. - In case of damage as indicated above, replace the devices.

### 8.2.5 - Checking the condition of the electrical system

1. - Access the internal electrical components as per section 8.3.
2. - Visually check that the cables are correctly housed in the relative cable glands, and that the plug-in connections are fixed correctly and do not show signs of blackening or burns.
3. - In case of damage as indicated above, replace the damaged cables.

### 8.2.6 - Checking the operation of the main switch

1. - Check that the appliance is switched off when the main switch is set to OFF and vice versa that the appliance is switched on when it is turned ON.
2. - In case of a malfunction, replace the switch.

### 8.2.7 - Checking the correspondence of the adjusted temperatures in the heating and domestic hot water systems

1. - Check the correspondence between the real and set temperatures in heating mode and in DHW mode.
2. - If the temperatures do not correspond, replace the interested sensor. If the problem persists, replace the command and control board.

### 8.2.8 - Checking if the device is triggered in case of gas failure

1. - Check that after attempts to start the appliance, with the gas shut-off valve closed, the appliance goes into lockout mode and the "Loc 1" message appears on the display.
2. - If the lock message does not appear, replace the command and control board.

### 8.2.9 - Checking the condition of the air intake and flue exhaust ducts

1. - Check that the air intake and flue exhaust ducts are not obstructed, and show no signs of corrosion, physical damage, water marks or signs of rust.
2. - Make sure the externally assembled intake grids and flue exhaust outlets do not have any residue and are clean.

### 8.2.10 - Checking the ignition and detection electrodes

1. - Remove the burner fan unit (as shown in section 8.4).
2. - Clean any material build-up from the electrodes.
3. - Make sure the electrodes are in the correct position as shown in section 8.6.

### 8.2.11 - Checking the condition of the air vent valves

1. - Visually check that the air vent valves are not obstructed in the drain pipe, and show no signs of corrosion, physical damage, water marks or signs of rust.
2. - In case of obstructions in the drain pipe, clean the pipe; in case of other damage indicated above, replace the valve.

### 8.3 - Removing the casing and accessing the internal components



**WARNING!** If the cover is installed externally, remove it following the instructions in section 5.18 of this manual.

To dismantle the casing, proceed as follows (refer to figure 8-1):

- 1.- Pull the lower cover "A" towards the front by about 10 mm;
- 2.- Push the lower cover "A" downwards;
- 3.- Unscrew screws "H";
- 4.- Pull the lower part of the front-piece "B" towards the front and then slide upwards until it is released from the guides "C";

To access the command and control board:

- 1.- Turn the command board "D" towards the front;
- 2.- Open the command board "D" using closing mechanism "G"

To access the electrical connections board:

- 1.- Turn the command board "D" towards the front;
- 2.- Slide cover "E" out using the closing flaps "F";

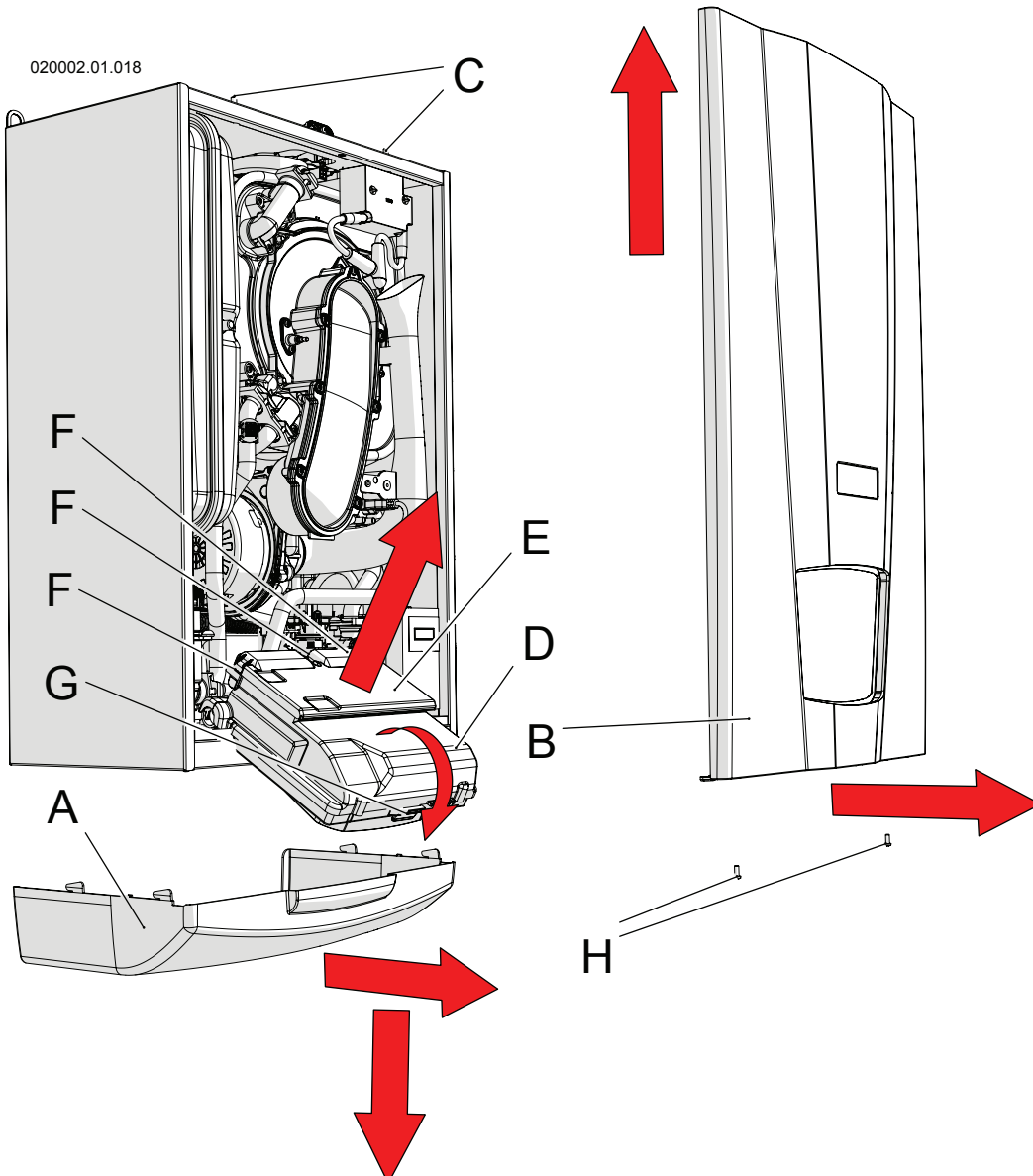


Figure 8-1 – Removing the casing and opening the command board  
COSMOGAS

## 8 - MAINTENANCE

### 8.4 - Dismantling the burner fan assembly


Proceed as follows to remove the burner fan unit (refer to figure 8-2 when not specified otherwise):

- 1.- Access the internal components following section 8.3;
- 2.- Remove the air manifold (detail "C" in figure 6-2) rotating it towards the outside of the boiler and then pulling it towards the right (see figure 6-2);
- 3.- Unscrew nut "C" from valve "D";
- 4.- Disconnect cables "B" and the detection cable from the ignition and detection electrodes (details "12", and "53" in figures 3-1 and 3-2);
- 5.- Unscrew the four nuts "E";
- 6.- Extract the assembly "F" as per figure;


### 8.5 - Cleaning the burner and the primary heat exchanger (fumes side)

To correctly clean the burner and heat exchanger body (fumes side), proceed as follows (refer to figure 8-2 when not specified otherwise):

- 1.- Access the internal components following section 8.3;
- 2.- Remove the burner unit following section 8.4;
- 3.- Pass a cylindrical brush with plastic bristles inside the combustion chamber;
- 4.- Using a suction device, suck up the unburnt residues found inside the combustion chamber;
- 5.- Use the same device on the surfaces of the burner and around the electrodes;
- 6.- Rinse the heat exchanger with clean water to remove residues and check that the space between the exchanger elements is not clogged (the water must naturally flow into the condensate siphon);
- 7.- Visually check that the burner and the combustion chamber are in good condition;

 **WARNING!** Every time the burner and the primary heat exchanger are cleaned, check that thermal insulation elements "G" and "H" are in good condition. If necessary, replace with burner along with gasket "L". Request the kit with code 62632006.


8.- Reassemble the components in reverse order, checking that the gaskets are in good condition and replacing them where necessary;

 **WARNING!** The gasket on the burner door, irrespective of its condition, must be replaced at least every two years.

9.- Open the gas cock;

10.- Reconnect the electric power supply;

11.- Check that there are no gas leaks between the joints removed.

 **WARNING!** Perform the gas leak test using a soap and water solution only. The use of naked flames is prohibited.

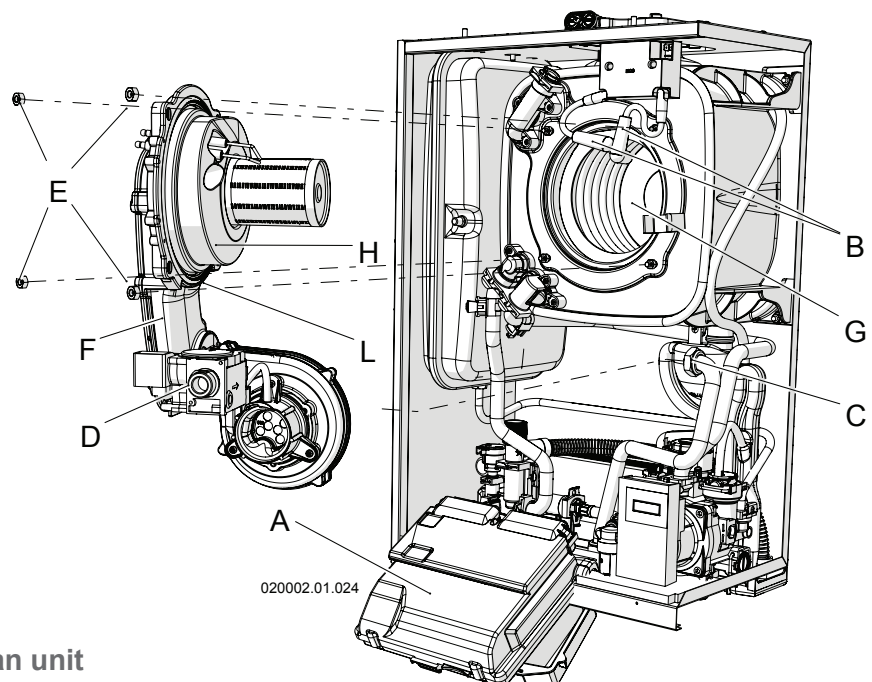
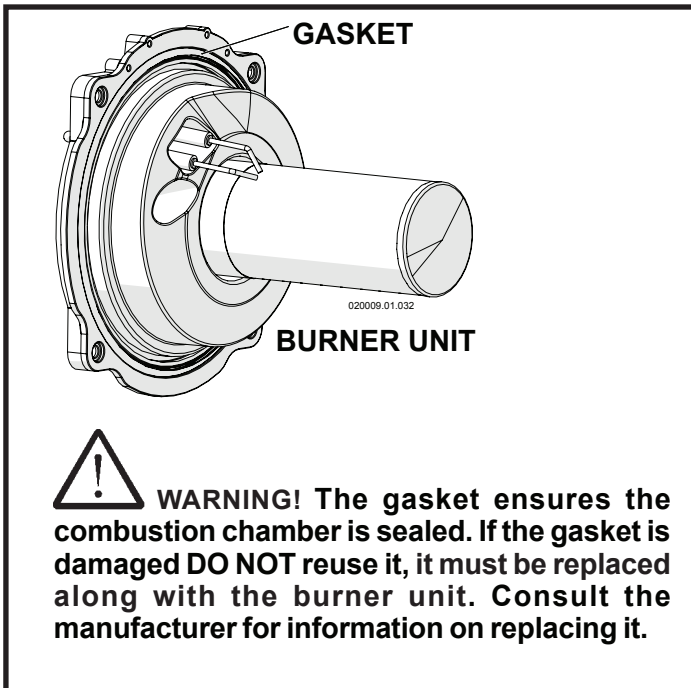


Figure 8-2 – Removing the burner fan unit

## 8 - MAINTENANCE

### 8.6 - Correctly positioning the ignition and detection electrodes

For the appliance to work well, the electrodes must be positioned correctly (refer to figure 8-3):

- the distance between ignition electrodes "A" and "B" must be between 2.0 and 2.5 mm;
- the distance of the ignition electrodes from the surface of the burner must be between 5 and 5.5 mm;
- the distance of the detection electrodes from the surface of the burner must be between 5.5 mm and 6.5 mm.

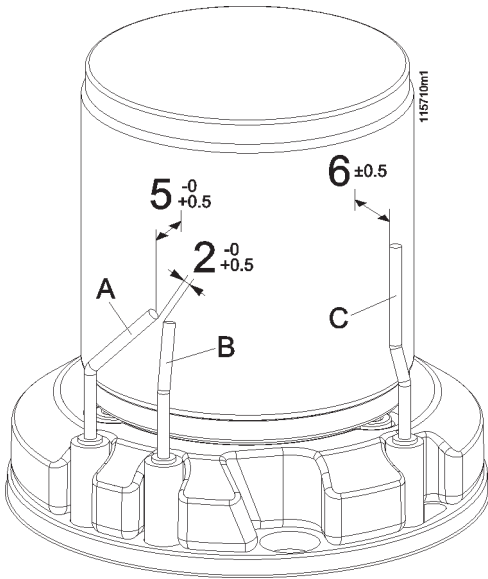


Figure 8-3 – Positioning the electrodes on the burner

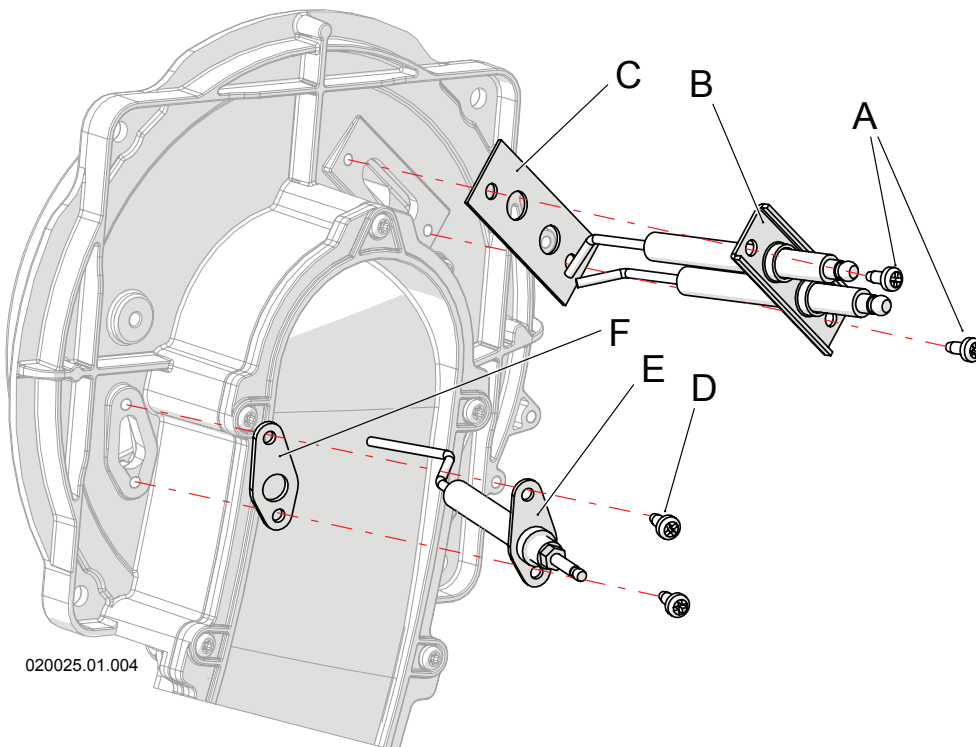
### 8.7 - Dismantling the ignition and detection electrodes

If the ignition and/or detection electrodes need replacing, proceed as follows:

- 1.- Close the gas supply;
- 2.- Turn off electricity to the boiler;
- 3.- Access the components inside the appliance, following section 8.3;
- 4.- Remove the burner fan unit as shown in section 8.4;
- 5.- Disassemble the electrodes to be replaced "B" or "E" by means of screws "A" or "D" in figure 8-4, taking care to remove seals "C" and "F";
- 6.- Assemble the new electrodes with the new gaskets "C" and "F" supplied with the replacement kits;
- 7.- Check the electrodes are in the correct position as per section 8.6;
- 8.- Refit the rest of the components in reverse order;
- 9.- Open the gas cock;
- 10.- Connect the boiler to the electric power supply;
- 11.- Check for any gas leaks using the relevant tools;



**WARNING!** Perform the gas leak test using a soap and water solution only. The use of naked flames is prohibited.



020025.01.004

Figure 8-4 – Removing the electrodes

## 8 - MAINTENANCE

### 8.8 - Dismantling and replacing the gas valve



**WARNING!** After this operation, run the self-calibrating procedure (see section 6.6).

If the gas valve needs replacing, proceed as follows:  
Refer to figure 8-5 when not specified otherwise.

- 1.- Close the gas supply;
- 2.- Turn off electricity to the boiler;
- 3.- Access the components inside the appliance, following section 8.3;
- 4.- Detach the power cable from gas valve "D";
- 5.- Remove the gas inlet pipe via the two fittings "A" and "B";
- 6.- Remove the clamp spring "C", releasing gas valve "D";
- 7.- Slide off the gas valve "D" upwards;
- 8.- Using screws "F", remove bend "G" from the gas valve;
- 9.- Fit curve "G" on the new gas valve, taking care to position gasket "H" (supplied in the kit) correctly in the kit; the one removed previously can be disposed of;

10.- Refit the appliance back together by performing the operations above in reverse order;

11.- Open the gas cock;

12.- Connect the boiler to the electric power supply;

13.- Check for any gas leaks using the relevant tools;



**WARNING!** Perform the gas leak test using a soap and water solution only. The use of naked flames is prohibited.

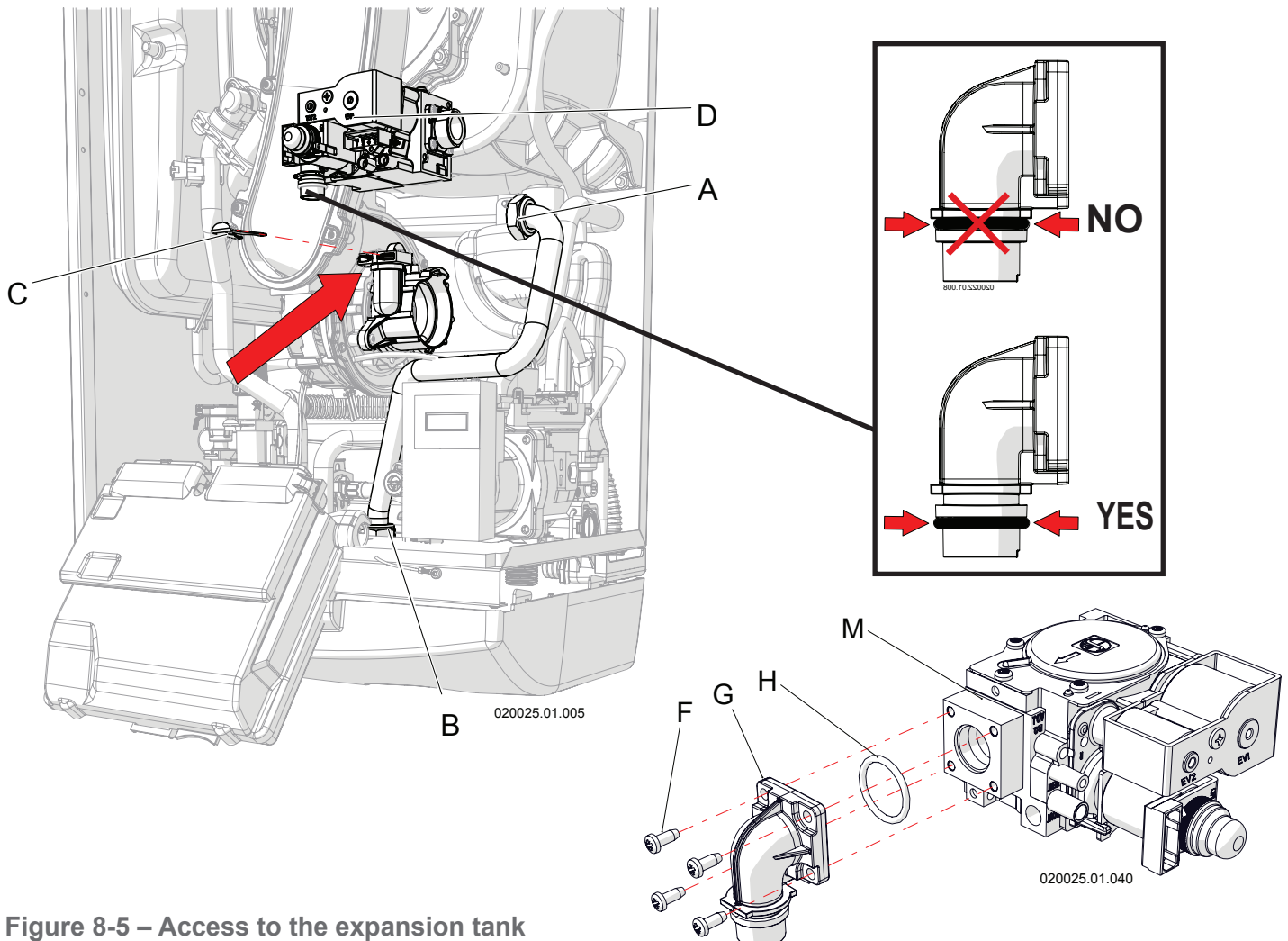


Figure 8-5 – Access to the expansion tank



### 8.9 - Checking the expansion tank

The expansion tank is positioned on the left side of the boiler.

Check the pre-fill pressure of the expansion tank. It must be at 1 bar. If the pressure is lower, increase it as follows:

- 1.- Convey the exhaust pipes "A" and "B" in figure 8-18 to a drain, using a rubber hose;
- 2.- Open the exhausts until the pressure on the appliance display is "0";
- 3.- Use pin "F" in figure 8-6 to pump air into the tank until it reaches 1 bar. At the same time, allow water to flow from exhausts "A" and "B" in figure 8-18;
- 4.- Close exhausts "A" and "B" in figure 8-18;
- 5.- Restore the pressure in the central heating system as per section 7.2.

If the tank needs replacing, proceed as follows to remove it (refer to figure 8-6 when not specified otherwise):

- 1.- Access the components inside the appliance, following section 8.3;
- 2.- Empty the central heating circuit, following the procedure in section 8.19;
- 3.- Remove screws "B";
- 4.- Loosen fitting "C";
- 5.- Extract the expansion tank "D" towards the front;
- 6.- Replace the tank.
- 7.- Restore the pressure in the central heating system as per section 7.2.

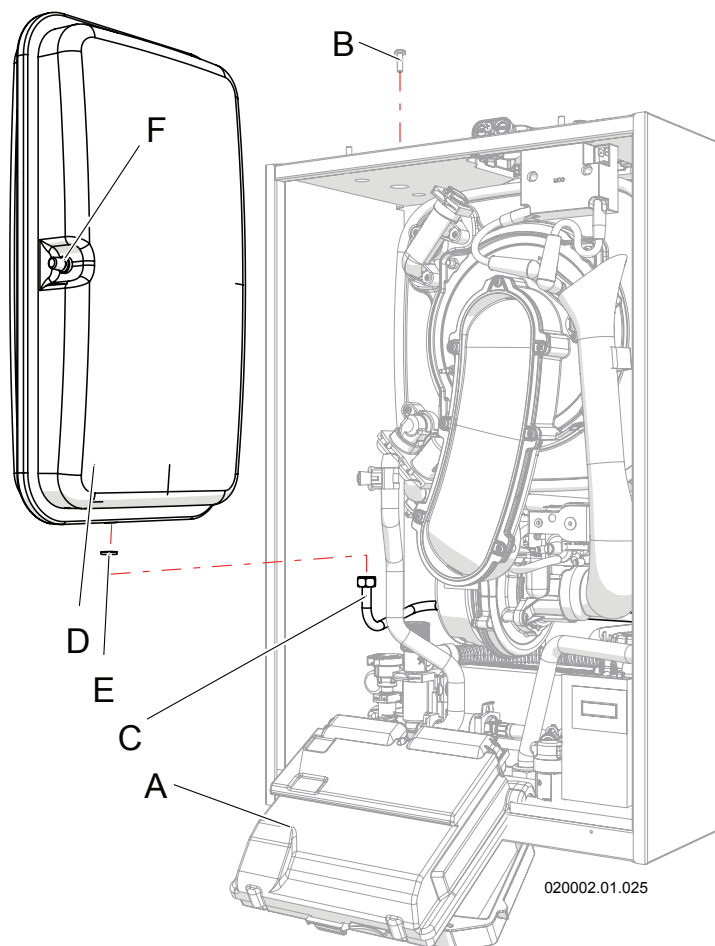


Figure 8-6 – Access to the expansion tank

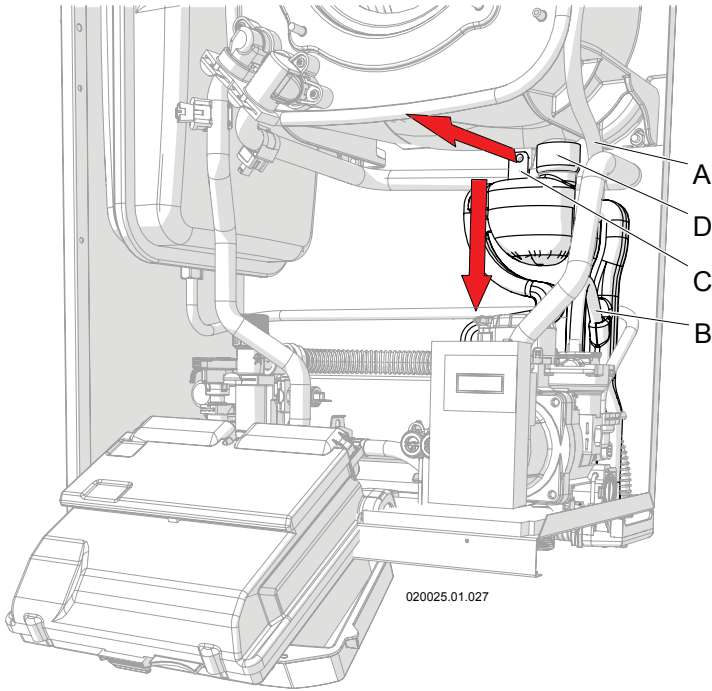


Figure 8-7 – Removing the condensate collection siphon

### 8.10 - Cleaning the condensate conveyer siphon

For correct cleaning of the collection siphon and conveying of the condensate produced by combustion, operate as follows (refer to the figures 8-7, 8-8 and 8-9):

- 1.- With the boiler on, open a domestic hot water cock fully so that the burner runs at maximum power and the level of liquid inside the siphon tank "D" lowers (see figure 8-8);
- 2.- Access the internal components as described in section 8.3;
- 3.- Remove the burner fan unit as described in section 8.4;
- 4.- Remove the servomotor as described in section 8.14;
- 5.- Cover the electric system and pump unit with a cloth to protect them from any water residue inside the siphon to be removed;
- 6.- Slide support "C" outwards from the holding support;
- 7.- Slide tank "D" downwards carefully as it is full of condensate water which could leak;
- 8.- Extract the siphon by moving it outwards (see figure 8-8), taking care to disconnect the collection pipes for the water coming from the upper part of the appliance and from the air vent valve;
- 9.- Clean the decanting tank "D";
- 10.- Refit everything in reverse order, making sure gasket "E" is put back in the relevant place and that end "G" is correctly positioned correctly in "H";
- 11.- Restore the level of liquid inside the siphon, following the procedure in section 6.1.2.

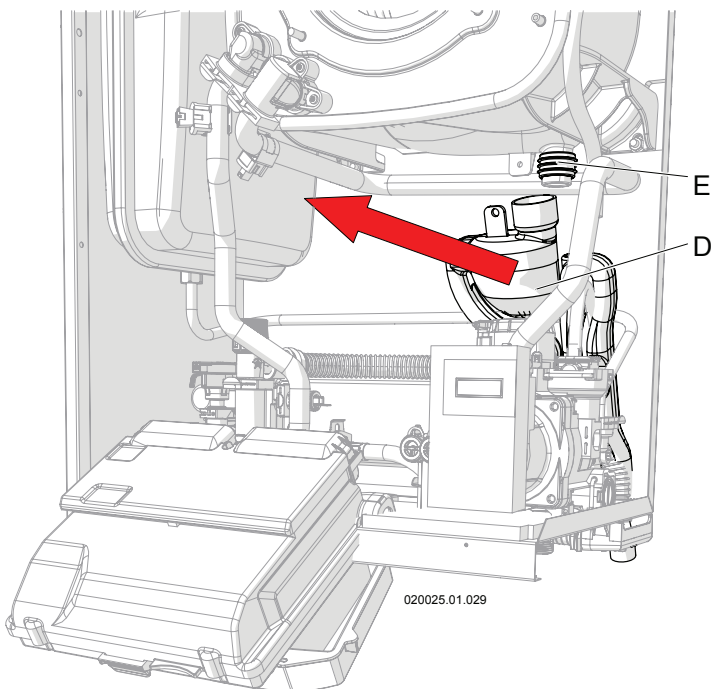


Figure 8-8 – Removing the condensate collection siphon

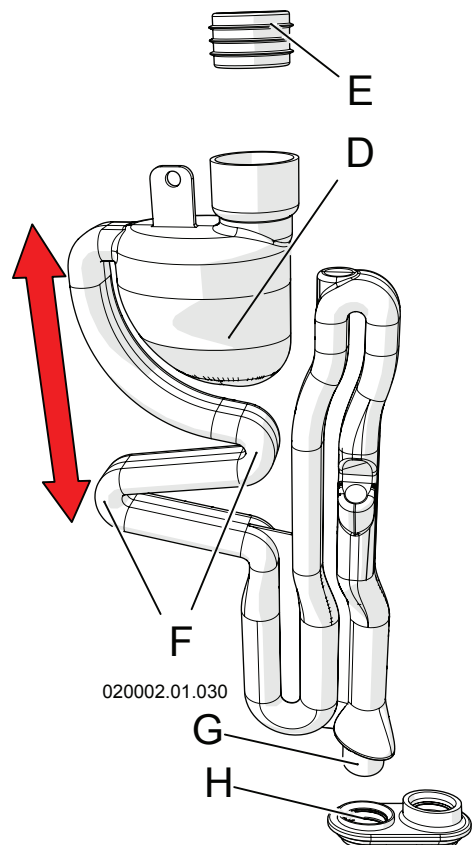


Figure 8-9 – Condensate collection siphon

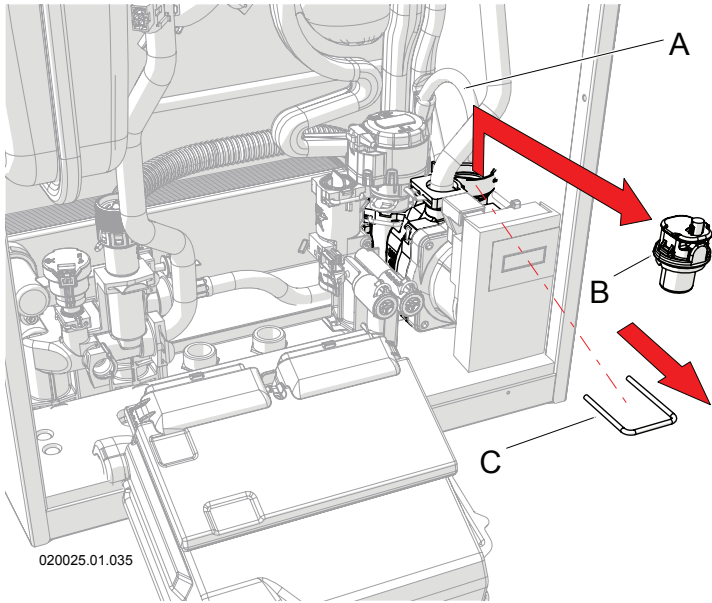


Figure 8-10 – Removing the air vent valve

## 8.11 - Removing the air vent valve

Refer to figure 8-10 and proceed as follows:

- 1.- Empty the central heating circuit, following the procedure in section 8.19;
- 2.- Access the components inside the appliance, following section 8.3;
- 3.- Remove pipe “A” from the air vent valve “B”;
- 4.- Slide drive bar “C” towards the front;
- 5.- Slide air vent valve “B” upwards and extract it.

## 8.12 - Replacing the pump motor

If the circulation pump needs replacing, operate as follows (refer to figure 8-11):

- 1.- Empty the central heating circuit, following the procedure in section 8.19;
- 2.- Access the components inside the appliance, following section 8.3;
- 3.- Disconnect the electric wires from the pump body;
- 4.- Remove screws “B”;
- 5.- Extract pump “C” by sliding it outwards;
- 6.- Replace the pump motor.

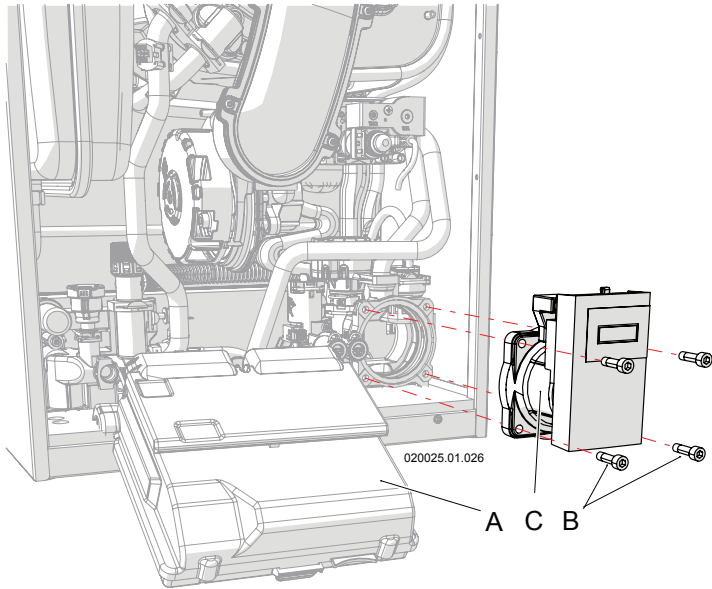


Figure 8-11 – Replacing the pump motor

## 8.13 - Removing the central heating circuit pressure sensor

Proceed as follows, making reference to figure 8-12:

- 1.- Empty the central heating circuit, following the procedure in section 8.19;
- 2.- Access the components inside the appliance, following section 8.3;
- 3.- Extract drive bar “A” towards the front;
- 4.- Slide pressure sensor “B” upwards and extract it.

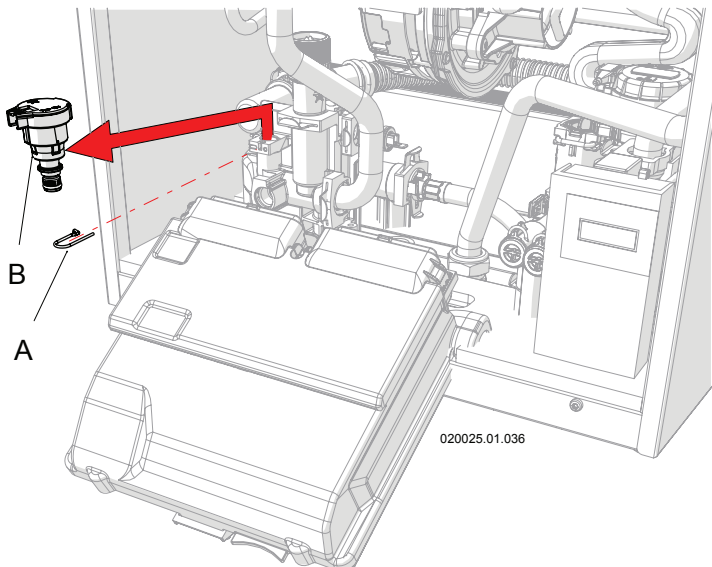


Figure 8-12 – Removing the central heating circuit pressure sensor

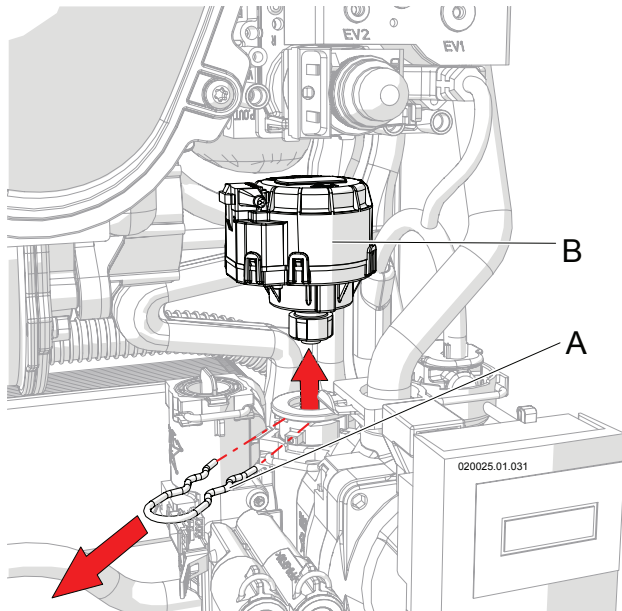


Figure 8-13 – Removing the servomotor

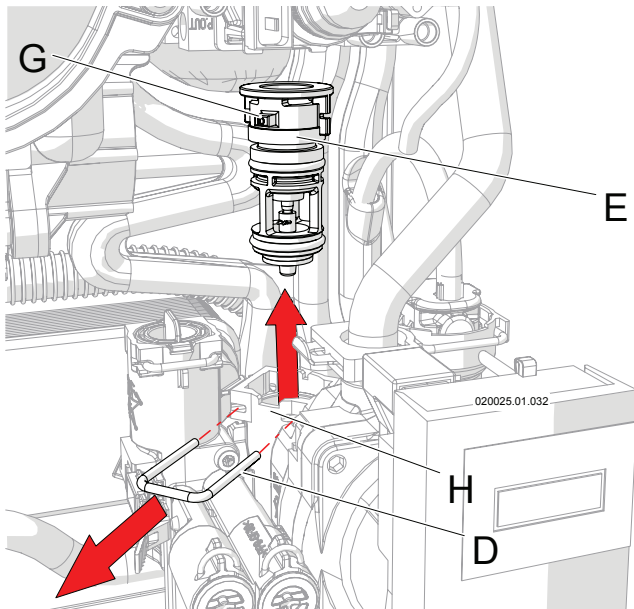


Figure 8-14 – Removing the diverter valve

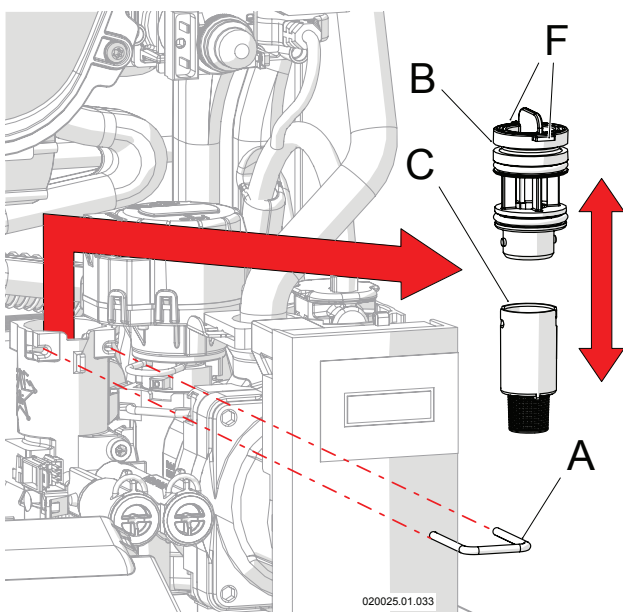


Figure 8-15 – Removing the flow meter

## 8.14 - Removing the diverter valve servomotor

Proceed as follows, making reference to figure 8-13:

- 1.- Access the components inside the appliance, following section 8.3;
- 2.- Remove the air manifold (detail “C” in figure 6-2) rotating it towards the outside of the boiler and then pulling it towards the right (see figure 6-2);
- 3.- Slide drive bar “A” outwards as in figure 8-13;
- 4.- Extract servomotor “B” upwards as in figure 8-13.

## 8.15 - Removing the diverter valve

The diverter valve (detail “47” in figure 3-2) switches the flow of water produced by the primary heat exchanger to the central heating circuit or to the secondary heat exchanger for the production of DHW. If it needs to be replaced, proceed as follows (refer to figure 8-14):

- 1.- Remove the diverter valve servomotor following section 8.14;
- 2.- Empty the central heating circuit, following the procedure in section 8.19;
- 3.- Slide the drive bar “D” outwards;
- 4.- Slide diverter valve “E” upwards.

## 8.16 - Removing the flow meter

The flow meter is used to measure the domestic hot water flow rate. If it needs to be replaced, proceed as follows (refer to figure 8-15):

- 1.- Empty the domestic hot water circuit, following the procedure in section 8.20;
- 2.- Access the components inside the appliance, following section 8.3;
- 3.- Remove spring “A”;
- 4.- Remove flowmeter “B”;
- 5.- Clean filter “C” making sure to extract it from the body of flow meter “B” as indicated in the figure;
- 6.- Wash the filter and refit everything in reverse order;
- 7.- When refitting the flow meter, the two tabs (detail “F” in figure 8-15) must be slotted into the respective holes in the hydraulic unit (the largest towards the front of the appliance and the small one at the rear).



**WARNING!** This filter is intended as a precaution only. A filter with greater capacity must be installed outside the boiler, on the cold water inlet, as specified in section 5.6.

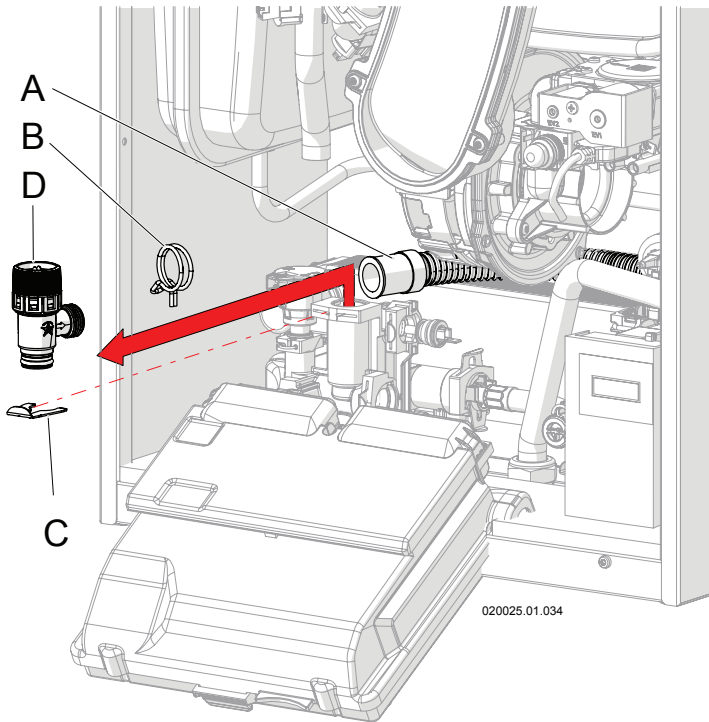


Figure 8-16 – Removing the safety valve

## 8.17 - Removing the safety valve

The safety valve (detail “D” in figure 8-16) protects the appliance against overpressure. If it needs to be replaced, proceed as follows (refer to figure 8-16):

- 1.- Empty the central heating circuit, following the procedure in section 8.19;
- 2.- Access the components inside the appliance, following section 8.3;
- 3.- Disconnect drain pipe “A”, loosening the sealing spring “B”;
- 4.- Slide drive bar “C” towards the front;
- 5.- Extract the safety valve “D” lifting it upwards;

## 8.18 - Secondary heat exchanger for the production of DHW

The production of DHW is delegated to the secondary heat exchanger (detail “5” in figure 3-1). If this heat exchanger stops being efficient, it may require cleaning or replacement. To remove the secondary heat exchanger, proceed as follows (refer to figure 8-17):

- 1.- Empty the central heating circuit and the domestic hot water circuit, following sections 8.19 and 8.20 respectively;
- 2.- Access the internal components as per section 8.3;
- 3.- Remove the burner fan unit as shown in section 8.4;
- 4.- Remove the siphon as described in section 8.10;
- 5.- Unscrew bolts “A”;
- 6.- Move the secondary heat exchanger “B” backwards and turn it as per figure;
- 7.- Extract the heat exchanger “B” towards the front of the boiler.

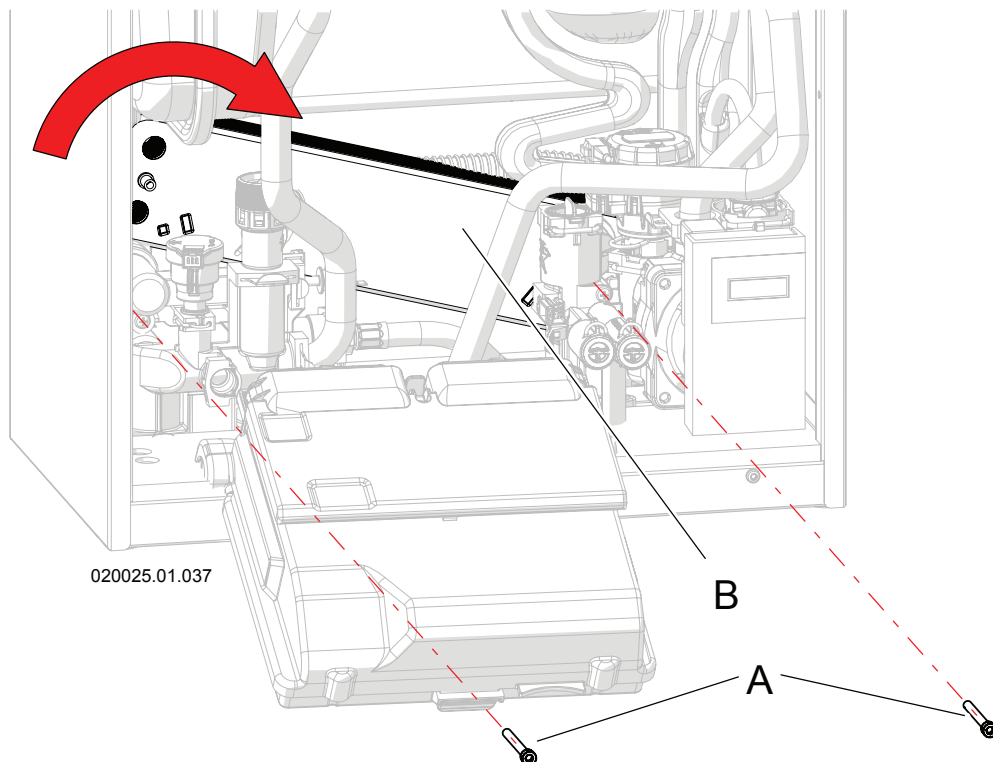



Figure 8-17 – Removing the secondary heat exchanger

## 8 - MAINTENANCE

### 8.19 - Emptying the appliance on the central heating side

To empty the appliance from the central heating side, proceed as follows:

- 1.- Generate a central heating request;
- 2.- Set the central heating temperature at the lowest value possible to cool the water inside the boiler;
- 3.- Switch the appliance off;
- 4.- Access the internal components, following the procedure in section 8.3;
- 5.- Connect a hose to drain cocks "A" and "B" (see figure 8-18) and convey it to a sink drain or similar;
- 6.- Open drain cocks "A" and "B" (see direction of rotation in figure 8-19);
- 7.- Open the air vent valves of the heating elements. Start from the highest central heating elements and continue with the lowest.
- 8.- Once all of the water has been evacuated, close all of the heating element vent valves and drain cocks "A" and "B" in figure 8-18.

 **WARNING!** Do not salvage or reuse the water evacuated from the central heating circuit for any purpose as it could be polluted.

### 8.20 - Emptying the appliance on the domestic hot water side

To empty the appliance from the domestic hot water side, proceed as follows:

- 1.- Close the main cold water supply cock in the house;
- 2.- Open all hot and cold water taps in the house;
- 3.- Make sure that at least one of these is at a height below the level of the boiler.

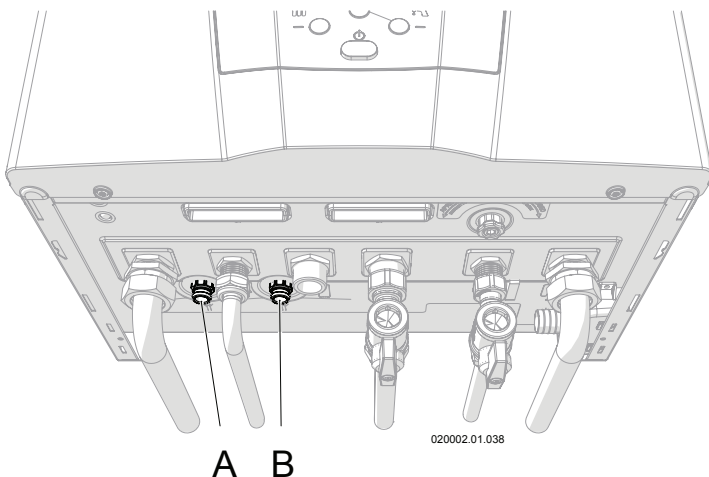



Figure 8-18 – Heating circuit drain valves


### 8.21 - Minimum and maximum power


To force operation at the appliance's minimum, maximum, set or ignition power, proceed as follows:

- 1.- Make sure that any cocks and thermostatic valves after the central heating circuit are open;

 **WARNING!** When forcing the delivery temperature, it automatically goes to 93°C to dispose of as much of the heat generated by the boiler as possible. Check that the central heating system can support this temperature.

- 2.- Access parameter `0200`, which can be viewed and changed from the "Installer profile" (see section 7.16);
- 3.- Set parameter `0200` to the following value:
  - a) `L0` to force the boiler to minimum power;
  - b) `19n` to force the boiler to ignition power;
  - c) `H1` to force the boiler to maximum power;
  - d) `rE9` to force the boiler to the maximum central heating power, as set (Range Rated) in section 6.8, parameter `2014`.
- 4.- To end forcing, set parameter `0200` to `OFF` and press the RESET key.

 **WARNING!** If during forcing, the power supplied by the boiler is much higher than the power absorbed by the system, the boiler switches off continuously to reach the maximum temperature allowed (93°C).

 Forcing lasts 10 minutes, after which the appliance returns to normal operating conditions.

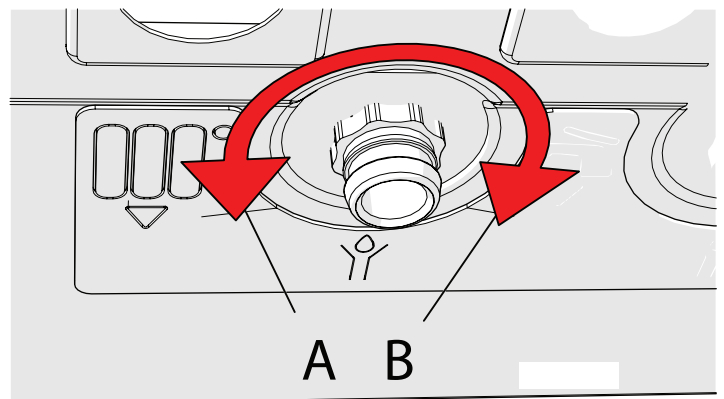


Figure 8-19 – Opening and closing direction of cocks  
A = Open  
B = Closed

**8.22 - Checking the ionisation current**

In any operating status, including during checks on the minimum and maximum power stated in section 8.21, the ionisation current value can be consulted at parameter

**1008** from any profile. This value must be between 4 and 7 uA (microampere).

**8.23 - Checking combustion efficiency**

According to national laws on gas appliances, it is necessary to periodically check the combustion efficiency; To do this, operate exactly as stated in section 6.7 and check, along with the CO2, the combustion efficiency at full load (80/60), which must be over the regulatory requirements.

**8.24 - Water temperature measurement sensors**

Various temperature sensors are positioned on the heat exchanger body. The electrical resistance between the two sensor contacts must correspond to figure 8-20.

The temperature sensors are: **1001**, **1002**, **1005**, **1006**, and **1007**. Check their positioning in figures 3-1 and 3-2.

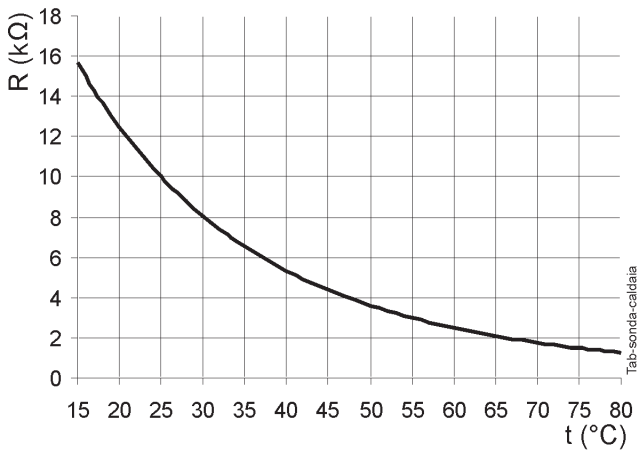


Figure 8-20 - Water sensors curve

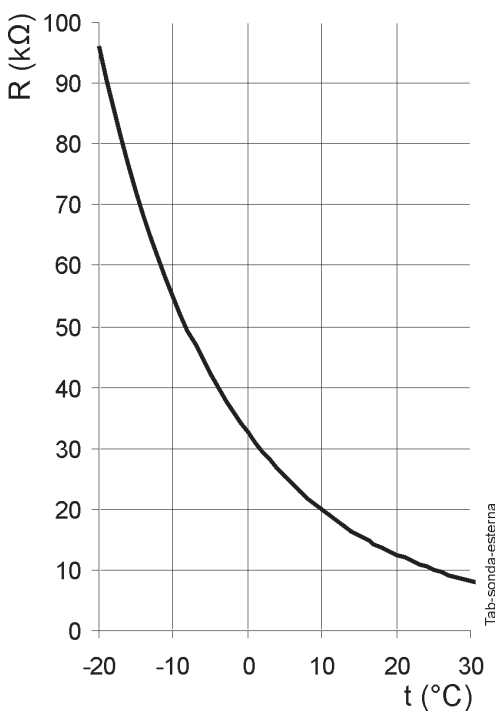


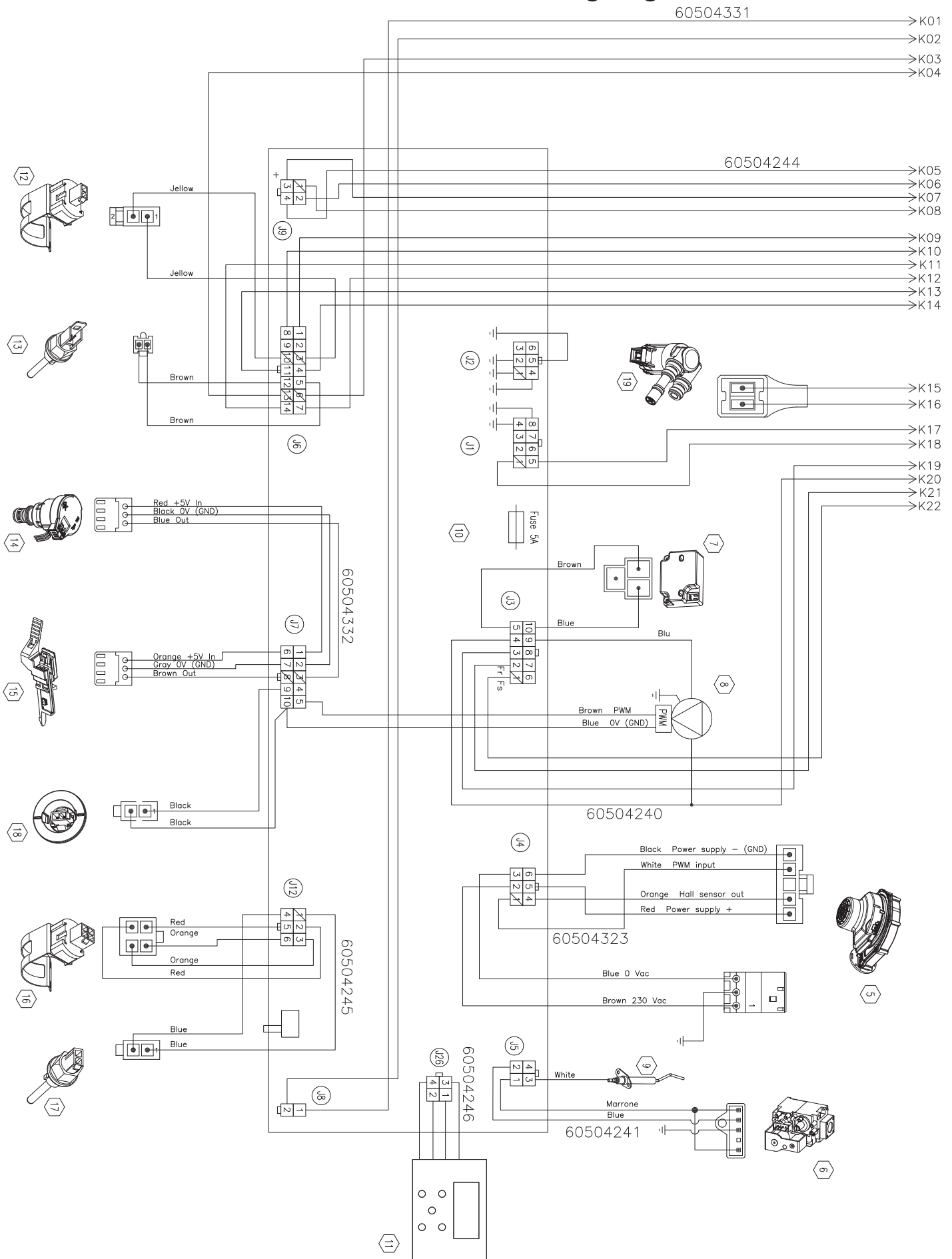
Figure 8-21 - External temperature sensor curve

**8.25 - External temperature sensor**

On request, the external temperature sensor can be

connected to the boiler **1004** (see section 5.14.5). The electrical resistance between the two sensor contacts must correspond to figure 8-21.

8.26 - Wiring diagram

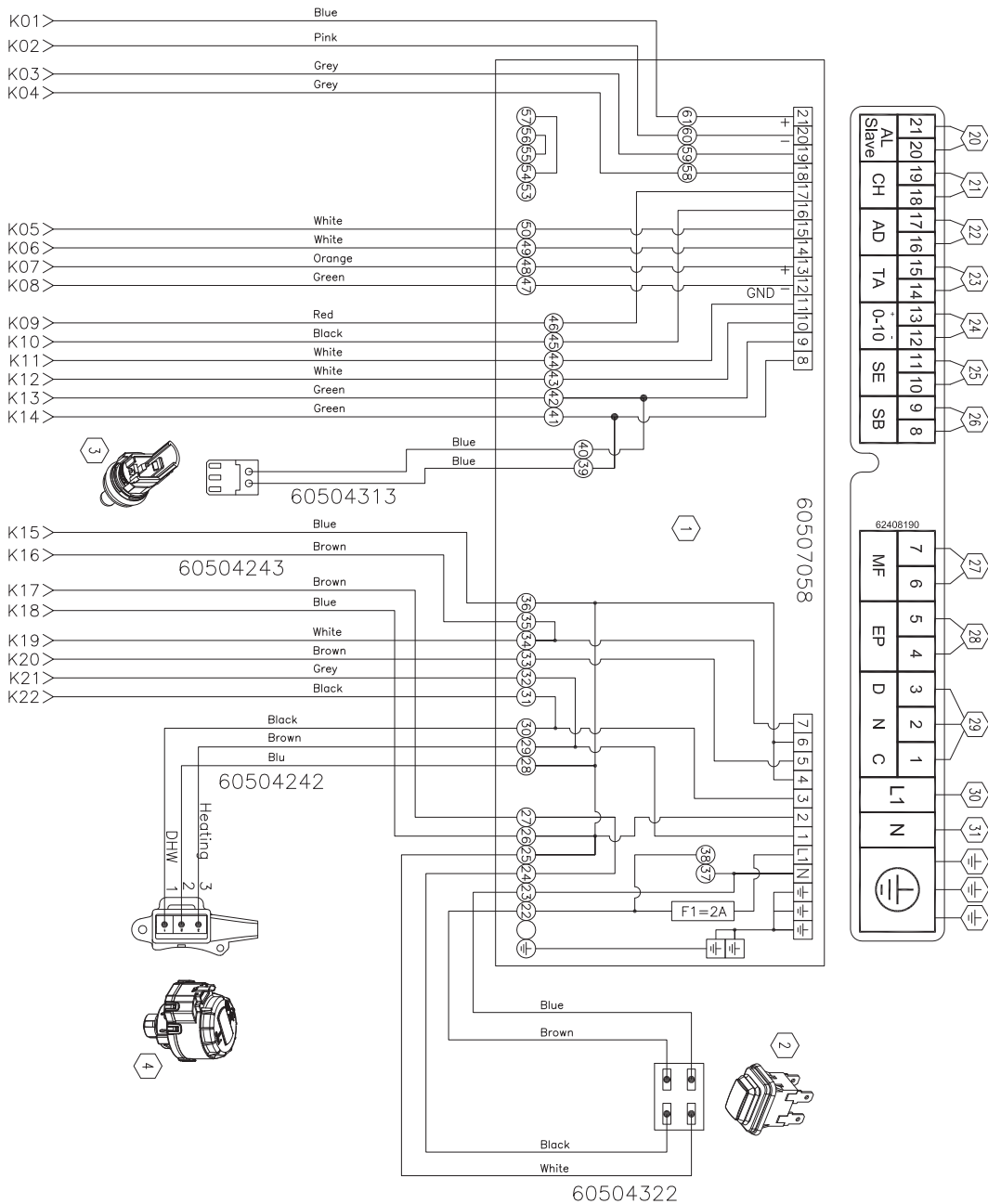


104111

Figure 8-22 – Wiring diagram



# 8 - MAINTENANCE




- 1 - Electric connections board
- 2 - Master switch;
- 3 - DHW output sensor (1002) \*
- 4 - Diverter valve
- 5 - Fan
- 6 - Gas valve
- 7 - Spark generator
- 8 - Pump
- 9 - Ionisation electrode
- 10 - Command and control board
- 11 - Display
- 12 - Return sensor (1007)
- 13 - Fumes temperature sensor (1006)
- 14 - Water pressure sensor (1033)
- 15 - Water pressure sensor (1062)
- 16 - Double supply temperature sensor
- 17 - Flue safety fuse
- 18 - Heat exchanger fuse
- 19 - System fill solenoid valve
- 20 - Slave appliance BUS
- 21 - Cascade sensor (1015)
- 22 - Master appliance BUS

- 23 - Ambient thermostat (TA) / CR04 remote control / Cosmobit
- 24 - 0-10 VDC communication
- 25 - External sensor (SE)
- 26 - Indirect water heater sensor (SB) (1002) \*\*
- 27 - Alarm output / Automatic fill
- 28 - External pump
- 29 - External diverter valve
- 30 - Line
- 31 - Neutral

\* Not present with indirect water heater;  
 \*\* Only with indirect water heater;

→ K1      K1 →

104111m0\_esempio



**WARNING! To facilitate consultation, K references are given in the wiring diagram followed by a number (see example above). This is to identify the correct follow-on of the cables on the next page.**

## 9 - TECHNICAL DATA

MYDENS TECHNICAL DATA		UM	15	24	34
Type (Type of fumes exhaust/air intake)			B23; B23P; C13; C33; C43; C53; C63; C83; C93		
Category			I12H3P	I12H3P	I12H3P
EU type approval certificate (PIN)			0476CQ1097	0476CQ1097	0476CQ1097
Range Rated Boiler			APPROVED	APPROVED	APPROVED
Central heating max. heat input "Qn" PCI (PCS)		kW	14.0 (15.5)	25.5 (28.3)	32.0 (35.5)
Domestic hot water max. heat input "Qn" PCI (PCS)		kW	/	25.5 (28.3)	32.0 (35.5)
Heating min. heat input PCI (PCS)		kW	3.2 (3.6)	3.2 (3.6)	6.0 (6.7)
Domestic hot water min. heat input PCI (PCS)		kW	/	3.2 (3.6)	6.0 (6.7)
Central heating max. useful output power (80/60) "Pn"		kW	13.6	24.8	30.9
Efficiency at 100% load (80/60)		%	96.5 (86.9)	97.2 (87.6)	96.8 (87.2)
Min. useful output power (80/60)		kW	3.02	3.02	5.75
Efficiency at min. useful output power (80/60)		%	94.5 (85.1)	94.5 (85.1)	95.8 (86.3)
Central heating max. useful output power (50/30)		kW	14.9	27.0	33.5
Efficiency at central heating max. useful output power (50/30) PCI (PCS)		%	106.5 (96.0)	105.7 (95.2)	104.7 (94.3)
Min. useful output power (50/30)		kW	3.30	3.30	6.14
Efficiency at min. useful output power (50/30) PCI (PCS)		%	103.0 (92.8)	103.0 (92.8)	102.4 (92.3)
Efficiency at 30% of the load PCI (PCS)		%	107.5 (96.8)	108.5 (97.7)	107.0 (96.4)
Losses at the chimney, burner ON (80/60)		%	1.5	1.5	1.5
Losses at the chimney, burner ON at minimum power		%	0.5	0.5	0.5
Losses at the chimney, burner OFF		%	0.1	0.1	0.1
Losses at the casing, burner ON (80/60)		%	0.5	0.5	0.5
Losses at the casing, burner OFF		%	0.1	0.1	0.1
Losses at zero load		%	0.3	0.3	0.3
Gas flow rate	G20	m <sup>3</sup> /h	1.48	2.70	3.38
	G25	m <sup>3</sup> /h	1.72	3.14	3.94
	G30	kg/h	1.10	2.01	2.52
	G31	kg/h	1.09	1.98	2.48
Gas supply pressure	G20	mbar	20	20	20
	G25	mbar	25	25	25
	G30	mbar	30	30	30
	G31	mbar	37	37	37
Gas supply minimum pressure	G20	mbar	17	17	17
	G25	mbar	20	20	20
	G30	mbar	25	25	25
	G31	mbar	25	25	25
Gas supply maximum pressure	G20	mbar	25	25	25
	G25	mbar	30	30	30
	G30	mbar	35	35	35
	G31	mbar	45	45	45
Primary heat exchanger water content		lt	2.9	2.9	2.9
Secondary heat exchanger water content		lt	/	0.5	0.5
Domestic hot water useful output power		kW	/	27.0	33.5
DHW minimum flow rate		l/min	/	2	2
Instantaneous DHW production (dt 30°C)		l/min	/	12.9	16.0
Instantaneous DHW adjustment range		°C	/	40-60	40-60
DHW adjustment range with indirect water heater		°C	40-70	40-70	40-70
Design temperature		°C	95	95	95
Maximum central heating temperature		°C	80	80	80
Minimum central heating temperature		°C	20	20	20

## 9 - TECHNICAL DATA

MYDENS TECHNICAL DATA		UM	15	24	34
Maximum central heating pressure "PMS"		bar	3	3	3
Minimum central heating pressure		bar	0.5	0.5	0.5
Maximum DHW circuit pressure "PMW"		bar	/	7	7
Minimum DHW pressure		bar	/	0.3	0.3
Expansion tank pre-load pressure		bar	1	1	1
Expansion tank capacity		lt	10	10	10
Rated power supply voltage		V ~	230	230	230
Rated power supply frequency		Hz	50	50	50
Absorbed electrical power		W	120	120	120
Electrical protection rating			IPX4D	IPX4D	IPX4D
Burner electrical power		W	70	70	70
Electrical power absorbed by the pump		W	50	50	50
Air intake/ fumes exhaust pipe diameter (split)		mm	80	80 or 50	80 or 50
Air intake pipe max. length (split) (80) or (50)		m	20	(20) or (7*)	(12.5) or (3*)
Fumes exhaust pipe max. length (split) (80) or (50)		m	20	(20) or (7*)	(12.5) or (3*)
Minimum usable diameter of collective aspiration duct (type C93)		mm	100	100	100
Fumes pipe diameter (coaxial)		mm	60/100	60/100	60/100
Fumes pipe max. length (coaxial)		m	10	10	10
Equivalent length of a bend		m	45° bend = 0.5 m, 90° bend = 1 m		
Weighted CO (0% O <sub>2</sub> )	G20	ppm	5	20	25
Weighted NO <sub>x</sub> (0% O <sub>2</sub> ) (Class 6 EN 15502) PCS	G20	mg/kWh	25	31	24
CO <sub>2</sub> (%) at minimum/maximum power	G20	%	8.5/9.0	8.5/9.0	8.5/9.0
	G25	%	8.5/9.0	8.5/9.0	8.5/9.0
	G30	%	9.5/10.4	9.5/10.5	9.5/10.5
	G31	%	10.0/10.4	9.5/10.5	10.0/10.5
O <sub>2</sub> (%) at minimum/maximum power	G20	%	5.8/4.9	5.8/4.9	5.8/4.9
	G25	%	5.4/4.5	5.4/4.5	5.4/4.5
	G30	%	6.7/5.2	6.7/5.2	6.7/5.2
	G31	%	5.6/4.9	6.4/4.9	5.6/4.9
Maximum recirculation of fumes in windy conditions		%	10	10	10
Maximum fumes temperature at boiler outlet		°C	80	80	80
Minimum fumes temperature at boiler outlet		°C	30	30	30
Δt fumes temperature/Return (at 100% of the load) (80/60)		°C	7	15	28
Δt fumes temperature/Return (at 30% of the load) (37/30)		°C	8	5	3
Maximum CO in exhaust fumes		ppm	250	250	250
Mass flow of fumes at maximum power		g/s	6.4	11.6	14.6
Mass flow of fumes at minimum power		g/s	1.5	1.5	3.4
Head available at exhaust		Pa	90	90	90
Maximum temperature of the combustion agent air		°C	50	50	50
Maximum CO <sub>2</sub> content in the combustion agent air		%	0.9	0.9	0.9
Maximum fumes temperature for overheating		°C	95	95	95
Max. negative pressure allowed in the fumes exhaust/air intake system		Pa	90	90	90
Condensate maximum flow rate		l/h	1.9	3.2	4.0
Condensate average acidity		PH	4	4	4
Operating room temperature		°C	0.5 ; 50	0.5 ; 50	0.5 ; 50
Boiler weight	<b>B</b>	kg	38	38	38
	<b>C</b>	kg	36	36	36
	<b>P</b>	kg	/	38	38

\* In these conditions, the appliance power is reduced by 10%

# 10 - COMMAND MENU DIAGRAM

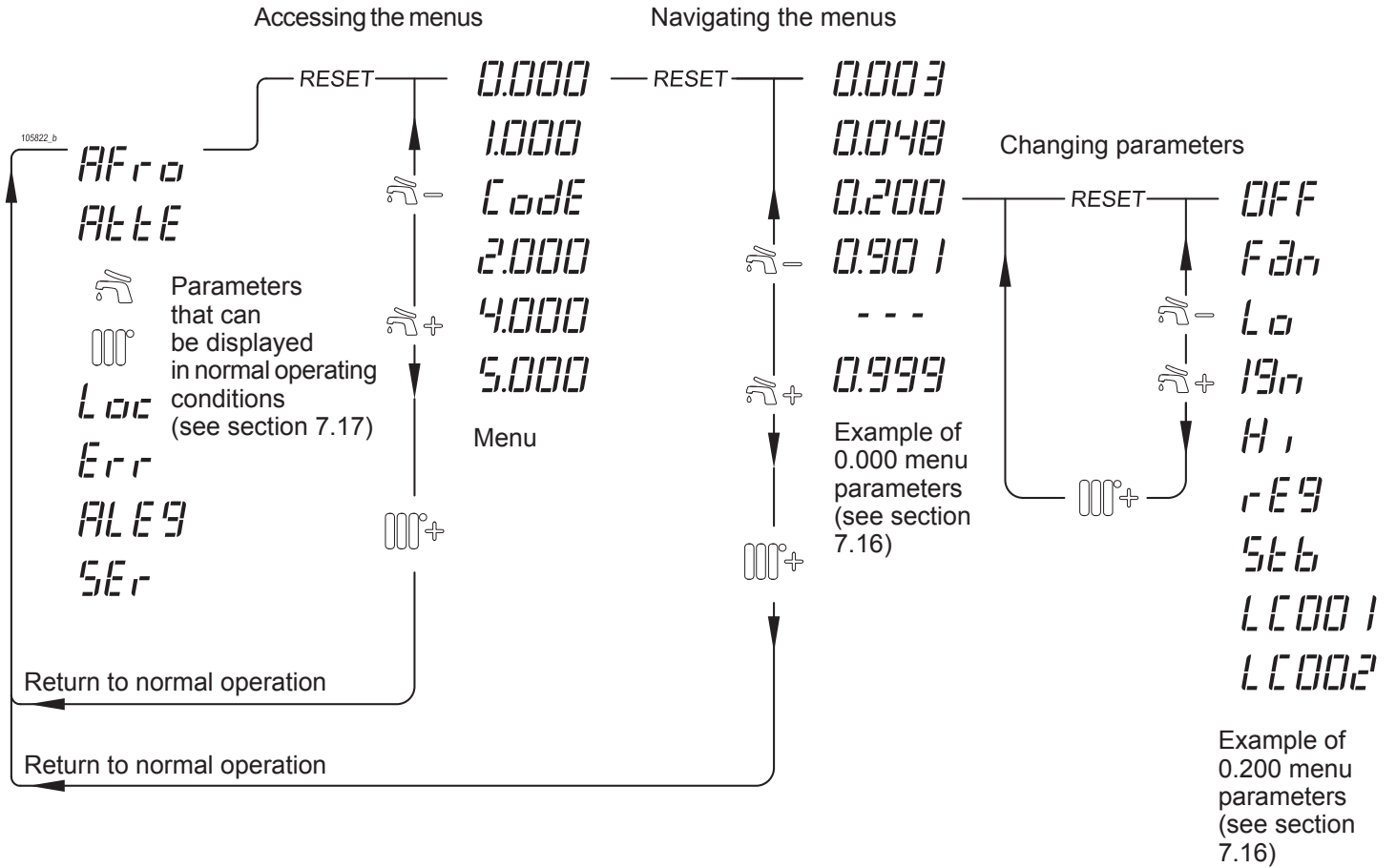


Figure 10-1 - Command menu diagram

The undersigned company **COSMOGAS S.r.L.**, with registered office in Via L. Da Vinci no. 16 - 47014 Meldola (FC) ITALY,

### DECLARES

under its own responsibility that the product:

<b>SERIAL No.</b>	-----
<b>MODEL</b>	-----
<b>PRODUCTION</b>	-----

that is the subject of this declaration, complies with the model described in **EU** Type Test Certificate, issued by the notified body Kiwa Cermet Italia S.p.A., whose data are given in the table shown in the TECHNICAL DATA section under the heading “ EC type approval certificate (PIN)”, and fulfils the requirements of the EU Regulation on Gas Appliances, (**2016/426**), the Efficiency Directive, (**92/42/EEC** modified by **Reg. (EU) 813/2013**), the Low Voltage Directive, (**2014/35/EU**), and the Electromagnetic Compatibility Directive, (**2014/30/EU**). Monitoring of the product was carried out by the notified body shown on form “C”.

(The warranty number corresponds to the serial number)

This declaration is issued as stipulated by the aforementioned directives.

Meldola (FC) ITALY, (Date of construction).



---

Alessandrini Arturo  
Sole Director

## 12 - ErP PRODUCT SHEET

Name or brand of the supplier			ADVECO	
Supplier's model number			MYDENS	
			15 B	15 C
Condensing boiler			YES	YES
Low-temperature boiler			NO	NO
B1 boiler			NO	NO
Cogeneration space heater			NO	NO
Combination heater			NO	NO
Equipped with supplementary heater			NO	NO
Energy efficiency class			A	A
Item	Symbol	Unit		
Rated heat output	P <sub>n</sub>	kW	13.6	13.6
Seasonal space heating energy efficiency	η <sub>s</sub>	%	91.6	91.6
Useful output power at rated heat output in high-temperature regime (*)	P <sub>4</sub>	kW	13.6	13.6
Useful efficiency at rated heat output in high-temperature regime (*)	η <sub>4</sub>	%	86.9	86.9
Useful output power at 30% of rated heat output in low-temperature regime (**)	P <sub>1</sub>	kW	4.5	4.5
Useful efficiency at 30% of rated heat output in low-temperature regime (**)	η <sub>1</sub>	%	96.8	96.8

### Auxiliary electricity consumption

At full load	el <sub>max</sub>	kW	0.07	0.07
At partial load	el <sub>min</sub>	kW	0.03	0.03
In standby mode	P <sub>sb</sub>	kW	0.005	0.005

### Other factors

Standby heat loss	P <sub>stby</sub>	kW	0.1	0.1
Ignition burner power consumption	P <sub>ign</sub>	kW	0	0
Annual energy consumption	Q <sub>HE</sub>	GJ	26	26
Sound power level, indoors/outdoors	L <sub>WA</sub>	dB	49	49
Emissions of nitrogen oxides	NO <sub>x</sub>	mg/kWh	25	25

### Domestic hot water parameters

Declared load profile			N/A	N/A
DHW production efficiency	η <sub>wh</sub>	%	N/A	N/A
Daily consumption of electrical energy	Q <sub>elec</sub>	kWh	N/A	N/A
Annual consumption of electrical energy	AEC	kWh	N/A	N/A
Daily consumption of fuel	Q <sub>fuel</sub>	kWh	N/A	N/A
Annual consumption of fuel	AFC	GJ	N/A	N/A

According to Regulations (EU) no. 811/2013 and no. 813/2013.

N/A = Not applicable.

(\*) High-temperature regime means 60°C return temperature and 80°C supply temperature.

(\*\*) Low-temperature regime for condensing boilers means 30°C, for low-temperature boilers, 37°C, and for other appliances, 50°C return temperature

ADVECO					
MYDENS					
24 B	24 C	24 P	34 B	34 C	34 P
YES	YES	YES	YES	YES	YES
NO	NO	NO	NO	NO	NO
NO	NO	NO	NO	NO	NO
NO	NO	NO	NO	NO	NO
NO	NO	YES	NO	NO	YES
NO	NO	NO	NO	NO	NO
A	A	A	A	A	A

24.8	24.8	24.8	30.9	30.9	30.9
92.5	92.5	92.5	91.2	91.2	91.2
24.8	24.8	24.8	30.9	30.9	30.9
87.6	87.6	87.6	87.2	87.2	87.2
8.3	8.3	8.3	10.4	10.4	10.4
97.7	97.7	97.7	96.3	96.3	96.3

0.07	0.07	0.07	0.07	0.07	0.07
0.03	0.03	0.03	0.03	0.03	0.03
0.005	0.005	0.005	0.005	0.005	0.005

0.1	0.1	0.1	0.1	0.1	0.1
0	0	0	0	0	0
43	43	43	57	57	57
51	51	51	52	52	52
31	31	31	24	24	24

N/A	N/A	XL	N/A	N/A	XXL
N/A	N/A	85.6	N/A	N/A	87.0
N/A	N/A	0.165	N/A	N/A	0.179
N/A	N/A	36	N/A	N/A	39
N/A	N/A	21.865	N/A	N/A	27.710
N/A	N/A	17	N/A	N/A	22

To contact technical support



Unit 7&8 Armstrong Mall, Southwood Business Park  
Farnborough, Hampshire GU14 0NR

PHONE 01252 551 540  
[enquiries@adveco.co](mailto:enquiries@adveco.co)  
[www.adveco.co](http://www.adveco.co)