

ideal
HEATING

heating excellence.



idealheating.com

*Terms and conditions apply.

experts in heating.



Market leading warranties

At Ideal Heating, we're experts in heating and we believe in making our installers' lives as easy as possible. That's why we combine ease of installation with high levels of quality and reliability. We rigorously test each and every one of our products with dozens of safety and reliability checks before they leave our Yorkshire based factory. This is why we confidently offer industry leading warranties on our boilers so you can go the extra mile for your customers.



Year round customer support

We believe in supporting our installers, not just with great products but with additional training and benefits. Our award-winning, loyalty scheme Connect provides easy warranty registrations, rewards and Gas Safe reminders, whilst our industry leading Expert Academy offers first class training centres and easy to access digital resources offering a range of courses and programmes to benefit you.



British made since 1906

CONTENTS

04 - Connect

06 - Rewarding our installers

07 - MAX Accredited Installers

08 - Our Logic Family

10 - Logic² MAX

13 - Logic² MAX dimensions

14 - Logic² MAX Combi

15 - Logic² MAX System

16 - Logic² MAX Heat

17 - Logic²+

18 - Vogue MAX

21 - Vogue MAX dimensions

22 - Vogue MAX Combi

23 - Vogue MAX System

24 - Vogue

25 - Ideal Cylinders

26 - Halo

28 - Accessories

30 - Gas conversion kits

32 - Flue siting

34 - Flue configurations

36 - High level flue outlet kit

38 - Rear flue & high rise flue options

39 - High rise flue options

40 - Installation Accessories

42 - Technical Specifications

43 - Vogue MAX Combi Technical Specification

44 - Vogue MAX System Technical Specification

45 - Logic² MAX Combi Technical Specification

46 - Logic² Max Heat Technical Specification

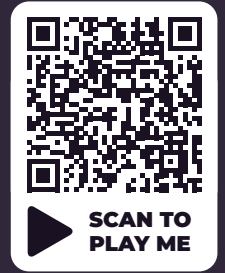
47 - Logic² MAX System Technical Specification

48 - Providing first class training

50 - Energy efficiency

52 - Quality service every day

Earn points for every registration* with the Connect loyalty scheme.



CONNECT

The more installs you register, the more loyalty points you earn each time



Free Gas Safe Registrations



Exclusive Promotions



Free Training



Earn Loyalty Points



Sales and Repair Leads Through our Website



I've used my Connect points for all sorts, even wrapping my van. It's so flexible it's a great scheme.



Who wouldn't want to be part of this scheme! Fantastic support whenever I need it, plus I get rewarded for my work!

HOW TO EARN CONNECT POINTS



WORKING WITH CONNECT

When you register with Connect you will get a wide range of benefits straight away. But there are a number of incentives to move up the ranks as well.

BRONZE

New accounts are Bronze, earning you £20 cashback for every Logic² MAX registration and £40 for every Vogue MAX registration*.

SILVER

Advance to the Silver tier after registering your 20th boiler of the year. As a Silver member you can earn £30 cashback for every Logic² MAX registration*.

GOLD

Reach the Gold tier after your 50th registration of the year. In this top tier you will earn £40 cashback for every Logic² MAX you register, and £55 for every Vogue MAX registration*.

	BRONZE 0-19 BOILERS	SILVER 20-49 BOILERS	GOLD 50+ BOILERS
VOGUE MAX COMBI & SYSTEM	£40 120 POINTS	£40 120 POINTS	£55 165 POINTS
LOGIC ² MAX COMBI, HEAT & SYSTEM	£20 60 POINTS	£30 95 POINTS	£40 120 POINTS
HALO RF & WI-FI	£5 15 POINTS (Same points total for all Connect tiers)		

rewarding our installers.

Advance up the Connect loyalty tiers and earn more points on every registration. Spend your hard earned points on a variety of rewards; including merchandise and branded workwear. You can even redeem your points as cash on a pre-paid Mastercard.



Mastercard



Gadgets & tools



Boilers, accessories and spare parts



Axinite workwear



EASY WARRANTY REGISTRATIONS

Register your customers' warranty through our website or Connect app. The Connect app is available for iOS and Android and allows you to register boilers on the go by simply scanning the boiler barcode and filling in the information.

Scan the QR code above to visit the Connect website.



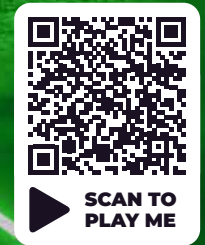
FREE GAS SAFE REGISTRATIONS

Our web portal allows you to register boilers and simultaneously notify Gas Safe where we will pick up the charge!

You can then access warranty and Gas Safe certificates as PDFs whenever you need them. Even emailing copies direct to your customer.

CONNECT

MAX ACCREDITED INSTALLER



WE'RE NOT BASHFUL ABOUT IT!

**WE WANT THE BEST INSTALLERS IN THE BUSINESS TO
BE INSTALLING IDEAL**

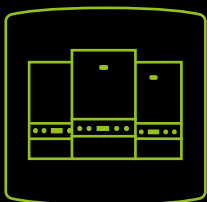
On top of your standard **CONNECT** benefits, you will have access to:

- 12 year extended warranties on the Vogue MAX range
- A priority listing on our website to drive sales leads
- Free training on marketing your MAX Accredited status
- Exclusive branded merchandise and workwear

Find out more today at

installerconnect.com

our Logic family.



BOILERS YOU CAN RELY ON

Our Logic², Logic²⁺ and Logic² MAX boiler ranges match efficiency with straightforward and robust design to create the perfect option for your central heating system. Reliability and comfort sum up the hassle-free Ideal Logic² boilers, plus a warranty of up to 10 years offers total peace of mind.



EASY TO INSTALL, EASY TO SERVICE

The Logic² is the mainstay of the Ideal range, and it's known and loved by installers and homeowners alike for its ease of use, quality and reliability. Featuring a lightweight, compact design, and a Quiet Mark accreditation, it can be installed discretely in a kitchen cupboard - and is fully serviceable from the front, it is an easy boiler to work on too.





Logic²

Logic² MAX

Logic²+



READY TO RUN SAFELY ON A 20% HYDROGEN BLEND

Current Ideal domestic boilers are ready to run safely on a 20% hydrogen blend with no technical adjustments. Blending up to 20% hydrogen into the gas grid with existing natural gas could save up to 6 million tonnes of carbon dioxide emissions every year. A 20% hydrogen blend also means that people can continue to use the gas supply as normal, without any changes being needed to gas appliances or pipework, while still reducing carbon emissions



CONNECT

EARN UP TO
£40
CASHBACK

EARN REWARDS FOR
EVERY LOGIC² MAX YOU
REGISTER ON CONNECT



LOGIC² MAX

With over four million Logic boilers sold in the UK, it has the reputation as one of the most reliable boilers available. We back this up with our 10 year warranty as standard for the Logic² MAX.

Combi: 24, 30, 35
System: 15, 18, 24, 30
Heat: 12, 15, 18, 24, 30



reliability as standard.

OVER A DECADE OF INNOVATION

For over a decade our Logic range has been heating homes all over the UK. In May 2022 we built our four millionth Logic boiler meaning we will be providing reliable warmth to millions of people for years to come.

First launched in 2009 the Logic range represents over 100 years of our advancement in heating technology. Our time served experience and products can give you peace of mind.

WE BELIEVE IN A QUIET HOME

The Logic MAX² Combi has been awarded the Quiet Mark, and is one of only a very small number of boiler ranges to have achieved this.

Our boilers have also been awarded Good Housekeeping Reader Recommended status six years in a row. For outstanding product features that left customers wanting to recommend Ideal Heating to their friends and families.



WE BELIEVE IN PROTECTING YOUR HEATING SYSTEM

The Logic² MAX comes with an Ideal System Filter in the box. Our system filter has been proven to ensure long lasting protection of the boiler and heating system with no compromise on performance.



Quality forged brass construction with nickel plating



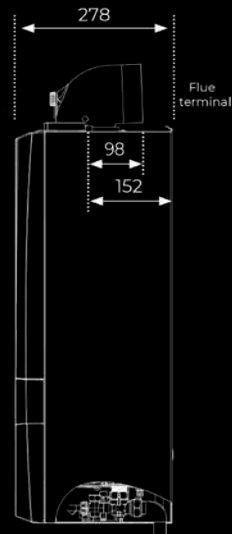
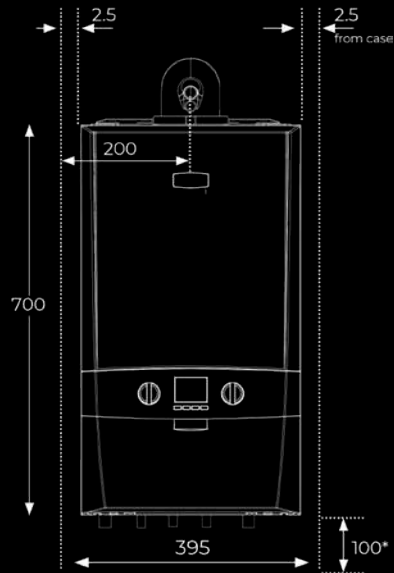
Powerful neodymium magnetic assembly



Quick and easy to install

Logic² MAX

Clearances & dimensions



Quick to install



Easy to service from the front



Compact cupboard fit



Compatible with our Halo thermostat range



Large colour screen and simple user interface

Note: The minimum front clearance when built into a cupboard is 5mm from the cupboard door but 450mm overall clearance with the cupboard door open is required for servicing.

*Bottom clearance after installation can be reduced to 5mm. However, 100mm is required for servicing.

**Reduces to 100mm with direct rear flue option. Applies to Heat only.

Logic² MAX Combi

C24 C30 C35



Up to 35kW output



Low lift weight



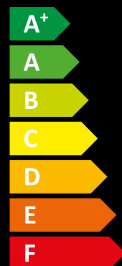
Easy to install push-fit PRV connection



Halo Combi compatible



A



A

END USER BENEFITS

- Award winning range
- Service indication
- Intelligent pre-heat function
- Large colour screen and simple user interface
- Compatible with a wide range of additional controls including our Halo range, weather compensation and other OpenTherm controls
- LPG conversion kit available for all kW outputs
- Green coloured filling loop handle drives user self-management
- Compatible with green heating technologies including solar thermal and hybrid systems

EASY TO INSTALL

- Honeywell gas valve
- Ideal System Filter included in the box
- Fully labelled and compartmentalised hardware pack
- Wiring centre can accommodate a variety of cable thicknesses including 5-core cable with simple screw bridge clamps for fixation
- Designed, developed and made in the UK
- 10 year warranty as standard
- Compact cupboard fit
- Stand-off kit options with and without pipes
- Wide range of flueing options
- Preformed copper tails
- Pre-wired mains lead
- Safety valve outlet pipe included
- Built in filling loop
- Fixed flue turret seal to prevent dislodgement during fitting
- Push-fit PRV connection removing the need for a compression fitting
- QR codes linked to 'how to' videos in the instruction manual

EASY TO SERVICE AND MAINTAIN

- Easily accessible pressure relief valve (PRV)
- Single dual-purpose spark and detection electrode
- Fully serviceable from the front

Logic² MAX System

S15 S18 S24 S30



Up to 30kW output



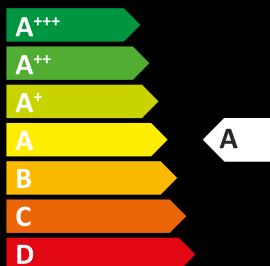
Halo Heat & System compatible



Easy to install push-fit PRV connection



Large colour screen and simple user interface



END USER BENEFITS

- Award winning range
- Service indication
- Compatible with a range of additional controls inc. weather compensation and our Halo range plus other OpenTherm controls
- LPG conversion kits available for most kW outputs

EASY TO INSTALL

- Honeywell gas valve
- Built in frost protection
- Ideal System Filter included in the box
- Designed, developed and made in the UK
- 10 year warranty as standard
- Wiring centre can accommodate a variety of cable thicknesses including 5-core cable with simple screw bridge clamps for fixation
- Low boiler lift weight of 26.1kg
- Compact cupboard fit
- Stand off kit options with and without pipes
- Wide range of flueing options
- Preformed copper tails
- Pre-wired mains lead
- Safety valve outlet pipe included
- Fixed flue turret seal to prevent dislodgement during fitting
- Push-fit PRV connection removing the need for a compression fitting
- QR codes linked to 'how to' videos in the instruction manual

EASY TO SERVICE AND MAINTAIN

- Easily accessible pressure relief valve (PRV)
- Single dual purpose spark and detection electrode
- Fully serviceable from the front

Logic² MAX Heat

H12 H15 H18 H24 H30



Up to 30kW output



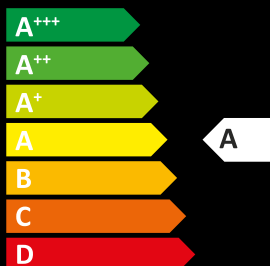
Halo Heat & System compatible



Direct rear flue option



Top system connections



END USER BENEFITS

- Award winning range
- Service indication
- Compatible with a range of additional controls inc. weather compensation and our Halo range plus other OpenTherm controls
- LPG conversion kits available for most kW outputs
- Large output range 12 - 30Kw
- New front cover with larger colour screen

EASY TO INSTALL

- Honeywell gas valve
- Built in frost protection
- Ideal System Filter included in the box
- Designed, developed and made in the UK
- 10 year warranty as standard
- Compact cupboard fit
- Stand-off kit
- Wide range of flueing options
- Direct 80mm diameter rear flue option
- Top system connections
- Wiring centre can accommodate a variety of cable thicknesses including 5-core cable with simple screw bridge clamps for fixation
- QR codes linked to 'how to' videos in the instruction manual

EASY TO SERVICE AND MAINTAIN

- Fully serviceable from the front
- Single dual-purpose spark and detection electrode
- Easier servicing due to the reduced number of gas connections



CONNECT

EARN UP TO
£55
CASHBACK

EARN REWARDS FOR
EVERY VOGUE MAX YOU
REGISTER ON CONNECT



VOGUE MAX

Over a century of heating innovation has led to one thing: the Vogue MAX.

A combination of sleek aesthetics and best in class components means the Vogue MAX sits at the pinnacle of the Ideal range with an impressive 12 year warranty*.

Combi: 26, 32, 40

System: 15, 18, 26, 32



BRITISH MADE SINCE 1906

First created at our factory in Yorkshire, the Vogue MAX has been designed, developed and built in the UK. Each year we invest into our UK based research and development facility ensuring our boilers are at the cutting edge of heating technology.





Quick to install
and service



Compatible
with our Halo
thermostat range



Premium
components



Easy to use full
colour display

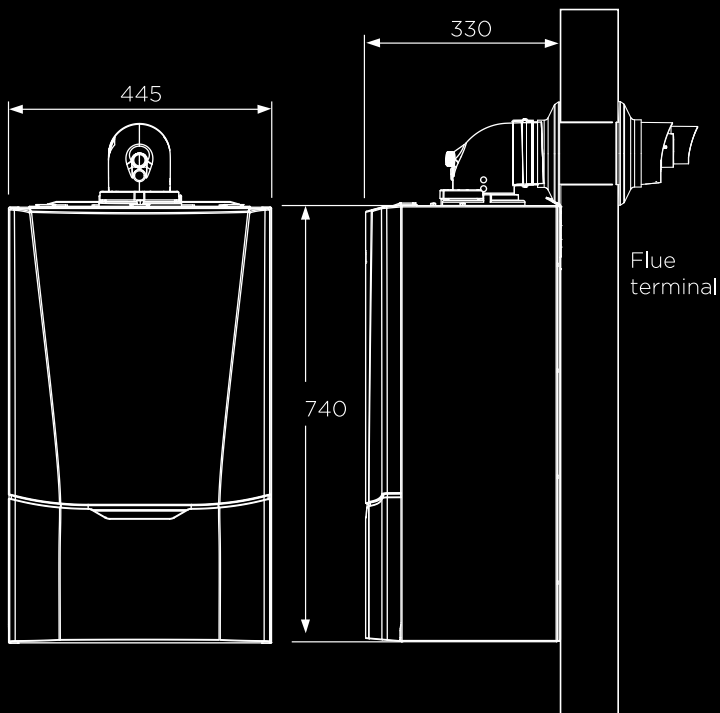
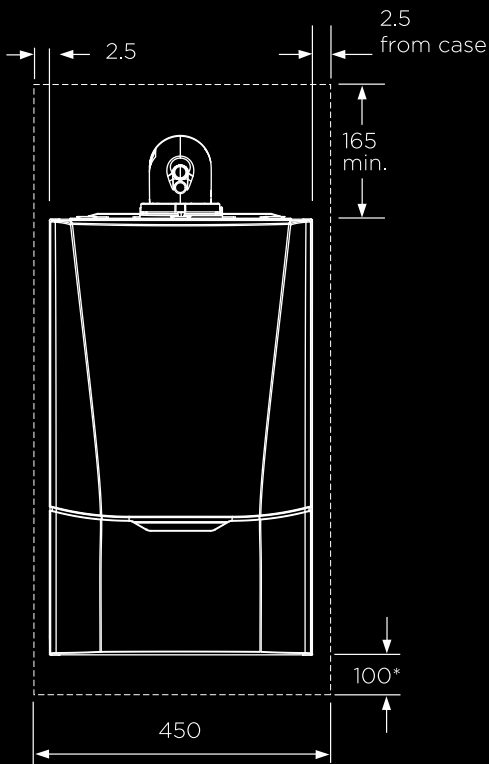


Stainless
steel heat
exchanger



Vogue MAX

Clearances & dimensions



Note: The minimum front clearance when built into a cupboard is 5mm from the cupboard door but 450mm overall clearance with the cupboard door open is required for servicing.

*Bottom clearance after installation can be reduced to 5mm. However, 100mm is required for servicing.



WE BELIEVE IN PROTECTING YOUR HEATING SYSTEM

The Vogue MAX comes with an Ideal System Filter in the box. Our system filter has been proven to ensure long lasting protection of the boiler and heating system with no compromise on performance.



Quality forged brass construction with nickel plating



Powerful neodymium magnetic assembly



Quick and easy to install

Vogue MAX Combi

26 32 40



Premium components



Up to 40kW output



Easy to use full colour display



Stainless steel heat exchanger



PREMIUM QUALITY COMPONENTS

- Hydrobloc incorporating a 24V stepper for enhanced reliability
- Large 10 litre expansion vessel
- Stainless steel heat exchanger
- Low energy modulating Grundfos pump
- 24V gas valve

EASY TO INSTALL AND SERVICE

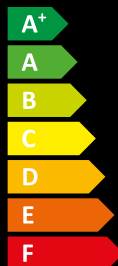
- Low boiler lift weight from 32.4kg
- Pre-wired mains lead (2m)
- Cool burner door technology
- Long maximum flue lengths with easy access sampling points
- Easy to read pressure gauge
- Uniform control opening across all Ideal Vogue and Logic combis
- Control box with push-in cable clamps

USER BENEFITS

- LPG conversions available on all outputs
- Backlit 3.5" LCD full colour display
- Multi-function buttons for simplified end user operation
- Up to 7:1 modulation
- Service display and installer phone number input
- Rotary controls for easier user operation
- Stylish aesthetics with full width door complete with damped opening



A



A

Vogue MAX System

15 18 26 32



Premium components



Up to 32kW output



Easy to use full colour display



Stainless steel heat exchanger



PREMIUM QUALITY COMPONENTS

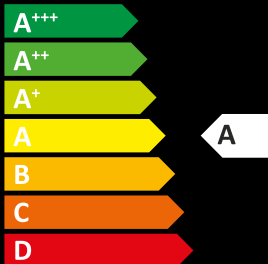
- Large 10 litre expansion vessel
- Stainless steel heat exchanger
- Low energy modulating Grundfos pump
- 24V gas valve

EASY TO INSTALL AND SERVICE

- Low boiler lift weight from 30.7kg
- Pre-wired mains lead (2m)
- Cool burner door technology
- Long maximum flue lengths with easy access sampling points
- Easy to read pressure gauge
- Control box with push-in cable clamps

USER BENEFITS

- LPG conversions available on all outputs
- Backlit 3.5" LCD full colour display
- Multi-function buttons for simplified end user operation
- Up to 5:1 modulation
- Service display and installer phone number input
- Rotary controls for easier user operation
- Stylish aesthetics with full width door complete with damped opening



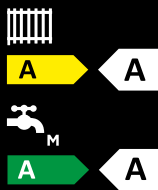
Vogue



BEST IN CLASS

The Vogue provides stylish aesthetics and premium components combined with an 8 year warranty.

With an easy to use colour screen, high outputs of up to 40kW (combi) and a quality stainless steel heat exchanger it is truly a premium boiler.



VOGUE OUTPUTS

COMBI

- 26kW
- 32kW
- 40kW

SYSTEM

- 15kW
- 18kW
- 26kW
- 32kW

Cylinders



Flat top and base with 20% more HCFC insulation



Low standing heat loss



Duplex stainless steel construction, reducing risk of corrosion



2 year parts and labour warranty



HALO

the ideal control.



Designed specifically to work with any Logic² or Vogue boiler range, Ideal Halo RF is a wireless programmable room thermostat that provides simple and easy heating control.

*Halo RF extension to Wi-Fi for an additional fee.



The Ideal Halo Wi-Fi is an internet connected wireless programmable room thermostat, Halo Wi-Fi comes with the same benefits as the Halo RF, but with the addition of app-controlled heating. This includes Geolocation, which gives your customer full control of their heating through their phone or device.

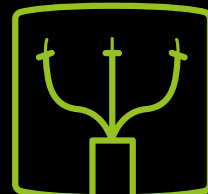


The Ideal Halo 2-Zone extension kit is an add-on kit for both Halo RF and Halo Wi-Fi offering full modulation on both heating zones.



NO HARDWIRING REQUIRED!

The Halo Combi range can be installed in 4 minutes from start to finish, simply Plug, Pair and Play - no hardwiring is required.



NO ADDITIONAL CABLE REQUIRED IF PERMANENT LIVE (PL) IS MISSING

When replacing existing Heat only boilers, it is not uncommon to find there is no Permanent Live available at the boiler.

The innovative Halo wiring centre, supplied with the Halo Heat & System range of controls, communicates with the Ideal boiler wirelessly using Opentherm, meaning the existing Switch Live (SL) can be re-purposed as a Permanent Live, alleviating the need to run additional cables.



CONNECT

EARN UP TO
£5
CASHBACK

EARN REWARDS FOR EVERY HALO YOU REGISTER ON CONNECT



IDEAL HALO RF & WI-FI

PART NO.	COMBI	HEAT	SYSTEM
222140 (RF)	✓	✗	✗
222142 (Wi-Fi)	✓	✗	✗
222141 (RF)	✗	✓	✓
222143 (Wi-Fi)	✗	✓	✓

HALO LITE OPENTHERM (WIRED THERMOSTAT)

PART NO.	COMBI	HEAT	SYSTEM
221528	✓	✗	✗

IDEAL HALO 2-ZONE EXTENSION KIT

PART NO.	COMBI	HEAT	SYSTEM
222144	✓	✗	✗
222145	✗	✓	✓

HALO ACCESSORIES

PART NO.	COMBI	HEAT	SYSTEM
Halo smart interface bracket 227156	✓	✗	✗
Halo zigbee booster 221132	✓	✓	✓

Accessories

To compliment our award winning range of boilers we also offer a huge range of flues and accessories, from weather compensation kits to expansion vessels. And don't forget you can order Ideal genuine spare parts directly from us at:

idealparts.com



IDEAL SYSTEM FILTER

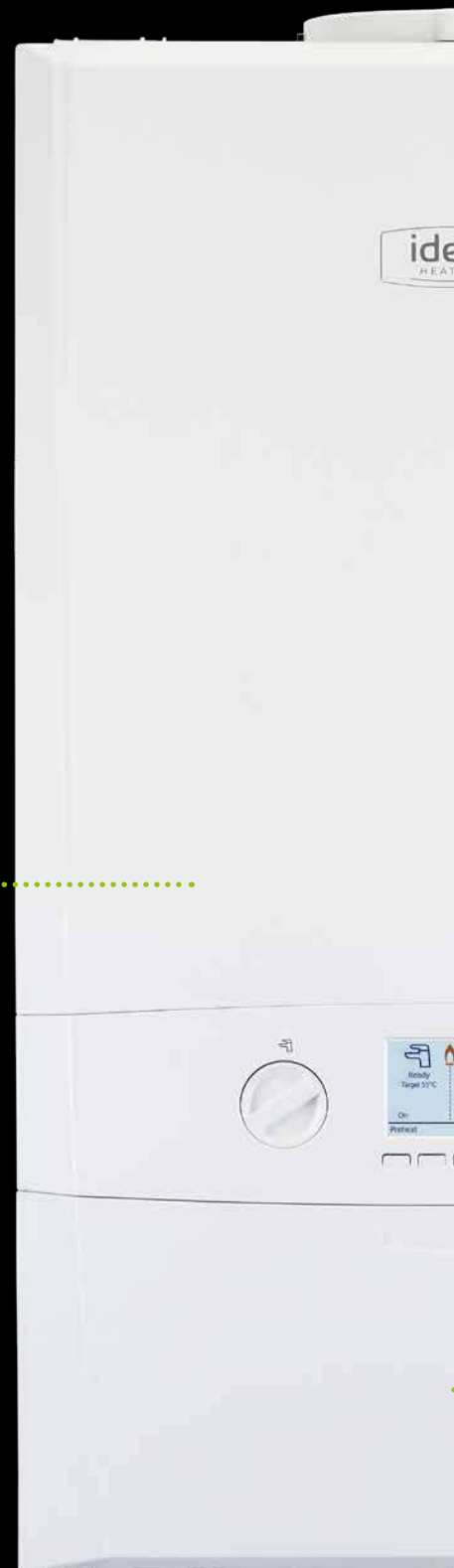
A proven, high efficiency, full-flow, magnetic and non-magnetic filter that is designed to protect your customer's central heating system from unwanted contaminants. Removing both metallic and non-metallic contaminants from the central heating system improves system efficiency, and reduces risk of damage. Not only this, but our system filter comes with a 10 year warranty and can increase the warranty on some boilers.

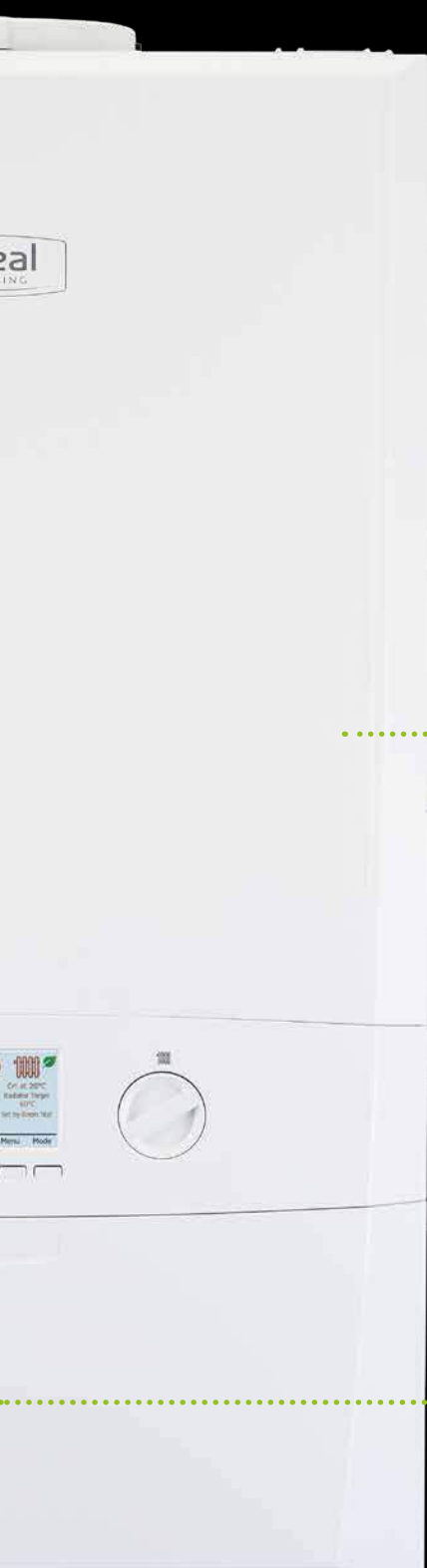


Quality forged brass construction with nickel plating



Powerful neodymium magnetic assembly





WEATHER COMPENSATION OUTDOOR SENSOR

The Ideal Weather Compensation kit allows the boiler to measure the outside temperature and, using this information, reduces the boiler water flow temperature. This improves the efficiency of the running of the boiler, and therefore reduces energy bills.



Measure outdoor weather to improve boiler efficiency

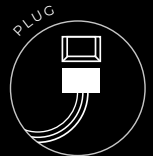


Boiler Plus compliant



HALO THERMOSTAT

The Halo Smart Interface is installed in the aperture into the front of any Logic or Vogue boiler. It will wirelessly communicate with the Halo control and, in the case of an internet connected Halo, the customer's home Wi-Fi.



NO HARDWIRING REQUIRED!

The Halo Combi range can be installed in 4 minutes from start to finish, simply Plug, Pair and Play - no hardwiring is required.

Gas conversion kits

LPG KITS

VOGUE MAX

Natural gas to LPG kit



EACH KIT COMPRISES:

- Burner injector
- Data plate labels
- Instructions

Two data plate labels are provided in the kits inclusive of a new data plate providing LPG details, and a label to retain boiler serial number identity.

KEY FEATURES

- Available for all Vogue MAX Combi and System models
- Fast & simple conversion using boiler controls and injector

PRODUCTS APPLICABLE

- Vogue MAX Combi 26, 32, 40
- Vogue MAX System 15, 18, 26, 32

PART No.	DESCRIPTION
227769	Stand-off kit with pipes Combi
227770	Stand-off kit with pipes System
229120	Stand-off kit Combi & System
234642	Secondary PRV kit

PRODUCT CODE	NG - LPG CONVERSION KITS
219118	Vogue MAX Combi 26
219119	Vogue MAX Combi 32
219120	Vogue MAX Combi 40
219121	Vogue MAX System 15
219122	Vogue MAX System 18
219123	Vogue MAX System 26
219124	Vogue MAX System 32
217081	Vogue C26
217082	Vogue C32
217083	Vogue C40
217084	Vogue S15
217085	Vogue S18
217086	Vogue S26
217087	Vogue S32

LOGIC² MAX

Natural gas to LPG kit



EACH KIT COMPRISES:

- Gas valve (preset operation)
- Burner injector
- Data plate labels
- Instructions

The Gas valve is supplied preset to enable a quick and easy installation whilst ensuring the safety benefits are retained during conversion.

Multitple data plate labels are provided in the kits inclusive of a new data plate providing gas details and a label to retain boiler serial number identity.

KEY FEATURES

- Available for all Logic² MAX Combi range.
- Available for Logic² MAX Heat & System ranges 18kW and above
- Suitable for most property sizes
- Fast & simple conversion with pre-set gas valve for no product adjustment

NATURAL GAS TO LPG (PROPANE) CONVERSION KIT	PRODUCT CODE
18kW LOGIC ² BOILERS	233045
24kW LOGIC ² BOILERS	233046
30kW LOGIC ² BOILERS	233047
35kW LOGIC ² BOILERS	233048

LPG (PROPANE) TO NATURAL GAS CONVERSION KIT	PRODUCT CODE
18kW LOGIC ² BOILERS	182457
24kW LOGIC ² BOILERS	182458
30kW LOGIC ² BOILERS	182459
35kW LOGIC ² BOILERS	182460

LOGIC ² BOILER		CONVERSION KIT			
MODEL NAME	UIN	18kW LPG	24kW LPG	30kW LPG	35kW LPG
		233045	233046	233047	233048
LOGIC COMBI ² C24	228307		x		
LOGIC COMBI ² C30	228308			x	
LOGIC COMBI ² C35	228309				x
LOGIC SYSTEM ² S18	228353	x			
LOGIC SYSTEM ² S30	228355			x	
LOGIC HEAT ² H18	228387	x			
LOGIC HEAT ² H24	228388		x		
LOGIC HEAT ² H30	228389			x	
LOGIC+ COMBI ² C24	228329		x		
LOGIC+ COMBI ² C30	228330			x	
LOGIC+ COMBI ² C35	228331				x
LOGIC+ SYSTEM ² S18	228369	x			
LOGIC+ SYSTEM ² S24	228370		x		
LOGIC+ SYSTEM ² S30	228371			x	
LOGIC+ HEAT ² H18	228397	x			
LOGIC+ HEAT ² H24	228398		x		
LOGIC+ HEAT ² H30	228399			x	
LOGIC MAX COMBI ² C24	228334		x		
LOGIC MAX COMBI ² C30	228335			x	
LOGIC MAX COMBI ² C35	228336				x
LOGIC MAX SYSTEM ² S18	228377	x			
LOGIC MAX SYSTEM ² S24	228378		x		
LOGIC MAX SYSTEM ² S30	228379			x	
LOGIC MAX HEAT ² H18	228402	x			
LOGIC MAX HEAT ² H24	228403		x		
LOGIC MAX HEAT ² H30	228404			x	

CONVERSION KIT CONTENTS

Each kit comprises:

- Gas valve (preset operation)
- Burner injector
- Data plate labels
- Instructions

The Gas valve is supplied preset to enable a quick and easy installation whilst ensuring the safety benefits are retained during conversion.

Multiple data plate labels are provided in the kits inclusive of a new data plate providing gas details and a label to retain boiler serial number identity.

Flue siting

There are a substantial number of flue options available, giving excellent siting flexibility for almost all applications.

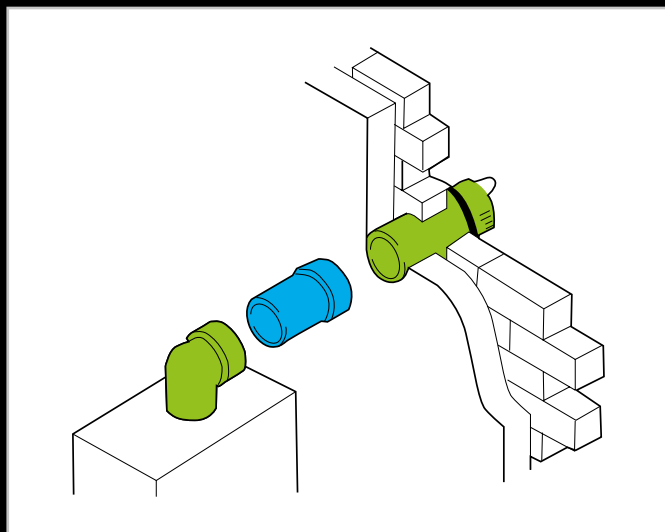
The range of options include standard and telescopic flues as well as vertical and raised horizontal options.

To ensure siting issues are kept to a minimum, High Level Flue Outlet kit options and Flue Deflectors are available.

FLUE TERMINAL POSITION	MIN. SPACING
1. Directly below, above or alongside an opening. 300 mm	300mm
2. Below guttering, drain pipes or soil pipes.	75mm 25mm*
3. Below eaves.	200mm 25mm*
4. Below balconies or car port roof.	200mm 25mm*
5. From vertical drain pipes or soil pipes.	150mm 25mm*
6. From an internal or external corner or to a boundary alongside the terminal.	300mm 25mm*
7. Above ground, roof or balcony level.	300mm
8. From a surface or a boundary facing a terminal.	600mm
9. From a terminal facing a terminal.	1200mm
10. From an opening in a car port into dwelling.	1200mm
11. Vertically from a terminal on the same wall.	1500mm
12. Horizontally from a terminal wall.	300mm
13. Horizontally from an adjacent window	600mm
14. Facing an opening into an adjacent building	2000mm
15. At an angle to the boundary	90° 300mm 45° 600mm
16. Parallel to a boundary	300mm
17. Below ground level - open light well	
a) Below ground	<1,000 mm
b) Above floor level	300mm
c) From side	300mm
d) From facing surface	600mm

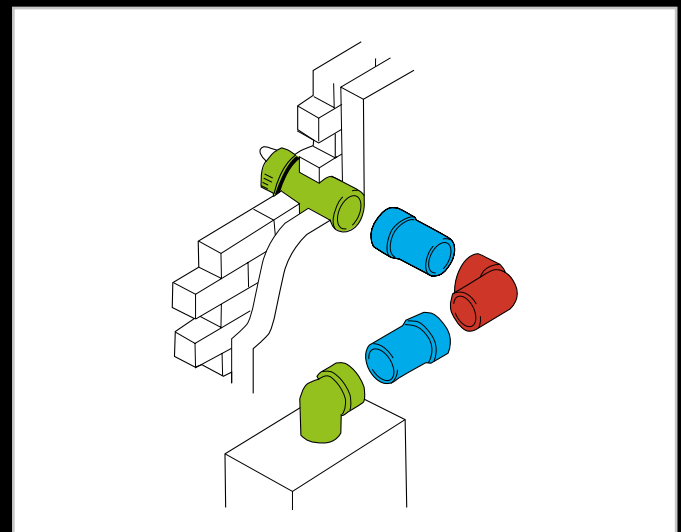
Flue configurations

HORIZONTAL CONCENTRIC 100MM DIAMETER



FLUE	PART NO.
Horizontal flue non-telescopic 0.6m	208171
Flue extension 1m with bracket	203129

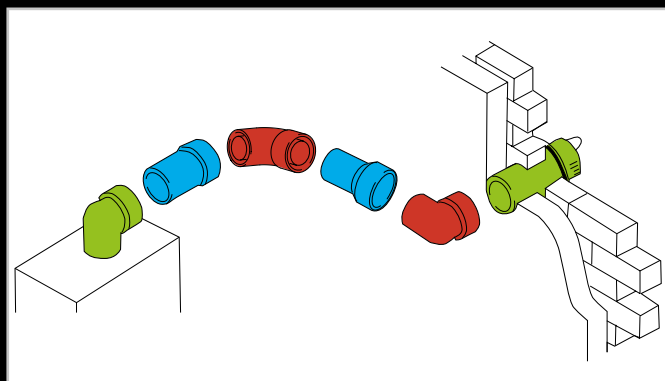
HORIZONTAL FLUE WITH 1 X 90° BEND



FLUE	PART NO.
Horizontal flue non-telescopic 0.6m	208171
Flue extension 1m with bracket	203129
Flue bend 90°	203130

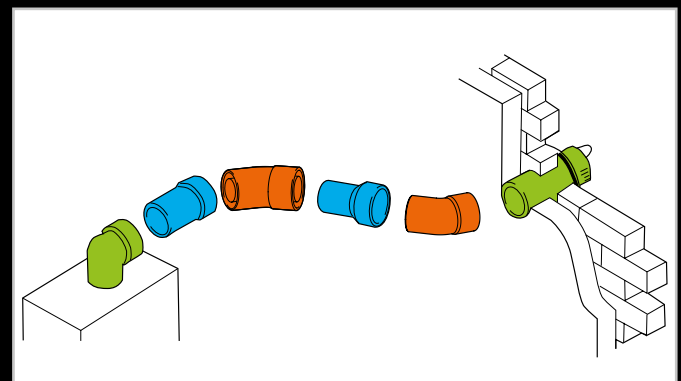
ALTERNATIVE FLUE TERMINALS	PART NO.
Horizontal flue telescopic 0.5m	208169
Horizontal flue telescopic 0.7m	208174
Horizontal flue non-telescopic 0.8m	217442

HORIZONTAL FLUE WITH 2 X 90° BEND



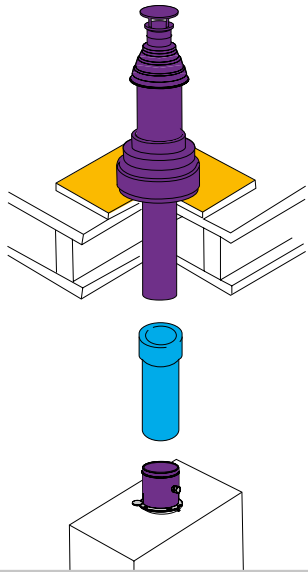
FLUE	PART NO.
Horizontal flue non-telescopic 0.6m	208171
Flue extension 1m with bracket	203129
Flue bend 90°	203130

HORIZONTAL FLUE WITH 2 X 45° BEND



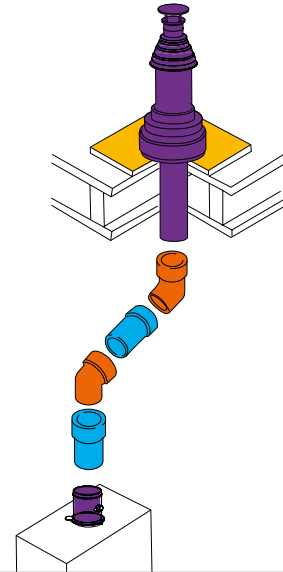
FLUE	PART NO.
Horizontal flue non-telescopic 0.6m	208171
Flue extension 1m with bracket	203129
Flue bend 45° pair	203131

VERTICAL FLUE SYSTEM



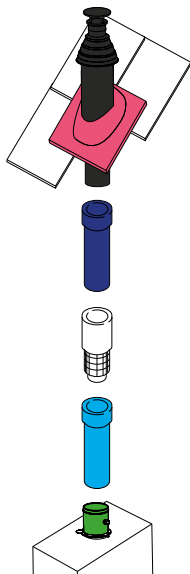
FLUE	PART NO.
Vertical flue terminal and connector	211039
Flue extension 1m with bracket	203129
Flat roof weather collar	152259

ROOF FLUE SYSTEM WITH 2 X 45° BEND



FLUE	PART NO.
Vertical flue terminal and connector	211039
Flue extension 1m with bracket	203129
Flue elbow 45° pair (Ø60/100)	203131
Flat roof weather collar	152259

VERTICAL FLUE WITH LOFT AIR INLET



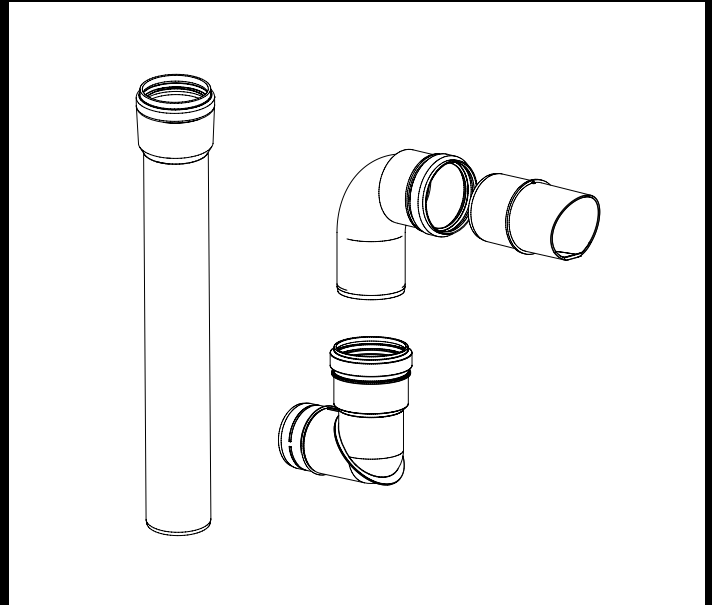
FLUE	PART NO.
Air inlet for vertical flue	203136
Flue vertical connector	208175
Vertical flue terminal	203134
Weather collar pitched roof	152258
Flue extension 1m with bracket	203129
Flue extension 1m pair (Ø80mm)	203142

NOTE: Allows the boiler to be sited in a position where no access to an outside wall is available. Permits the concentric flue to run vertically from the top of the boiler and obtain air supply within the roof space, the secondary flue continuing to the external flue terminal. Offset applications are permissible though the maximum length is reduced.

High level flue outlet kit

These easy to install kits allow the boiler flue outlet to be extended external to the building, upwards to provide a flue exit at high level, overcoming problems associated with plume emission. The kit is simple to retrofit if necessary.

An external 60mm diameter flue leads from the boiler terminal (which includes a 90° bend at the flue exit) to terminate with a 90° bend complete with grille. Push fit 1m extension pipes are used as required, and the fixing clips supplied support the system from the wall. Both 90° and 45° bend are available to provide routing options.



The kit comprises:

- Flue bend - 1 off
- 60mm flue exit bend - 1 off
- 60mm horizontal flue exit - 1 off
- 60mm x 500mm flue extension pipe - 1 off

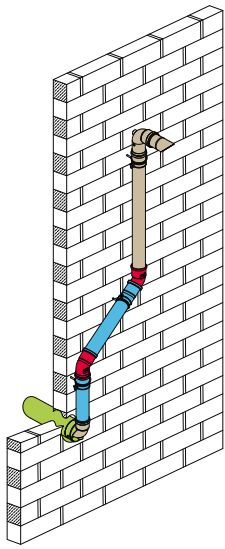
This kit is for use with horizontal non-telescopic and telescopic flue kits 208169, 208171, 208174 and 217442.

The standard terminal nose is replaced with the high level terminal.

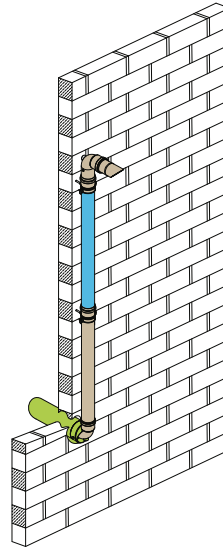
FLUE	IDEAL PART NO.
Horizontal flue non-telescopic 0.6m	208171
High level flue outlet kit (Ø60mm)	208178
Flue extension 1m for high level flue outlet (Ø60mm)	203228
High level flue bend 90° (Ø60mm)	203229
High level flue bend 45° (Ø60mm)	203230

Diagram representative only

NOTE: Please refer to the installation and service manual for assistance in calculating flue lengths. Adequate support must be provided for the flue in accordance with the installation instructions. If additional elbows to those supplied in the High Level Flue Outlet kit are used, deduct the following resistances (metres) from the maximum boiler flue length.



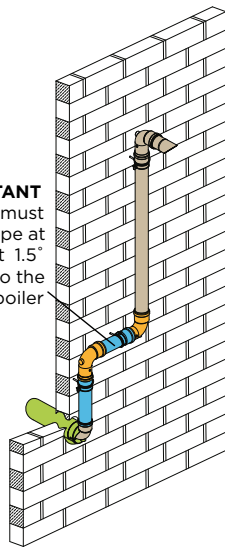
45° Left or Right



Vertical

Horizontal
Left or Right

IMPORTANT
Flue must
always slope at
least 1.5°
back to the
boiler



RESISTANCE

METRES

90° elbow

1.4

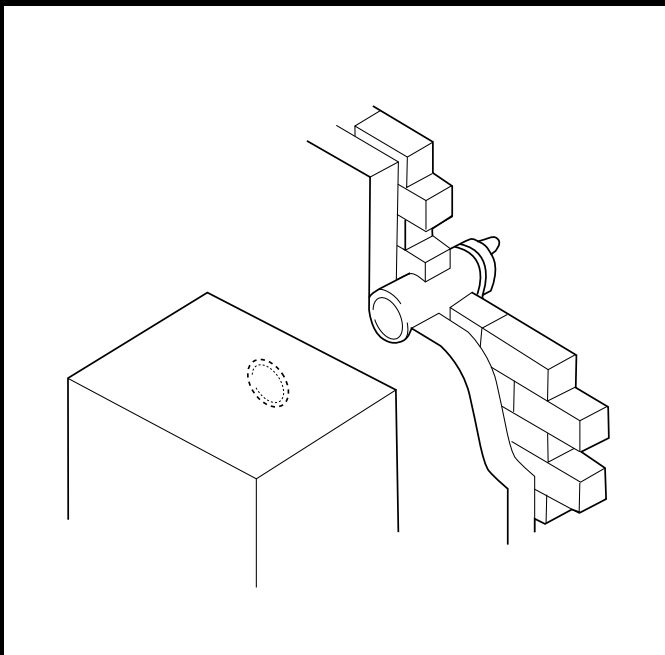
45° elbow (pair)

1.25

NOTE: If additional elbows to those supplied in the High Level Flue Outlet kit are used, deduct the following resistances (metres) from the maximum boiler flue length.

Rear flue & high rise flue options

The Logic MAX Heat and Logic+ Heat both come with an optional rear flue outlet which means it can be installed directly behind the boiler rather than on top of it.



REAR OUTLET FLUE TERMINAL (55/80) - 80MM

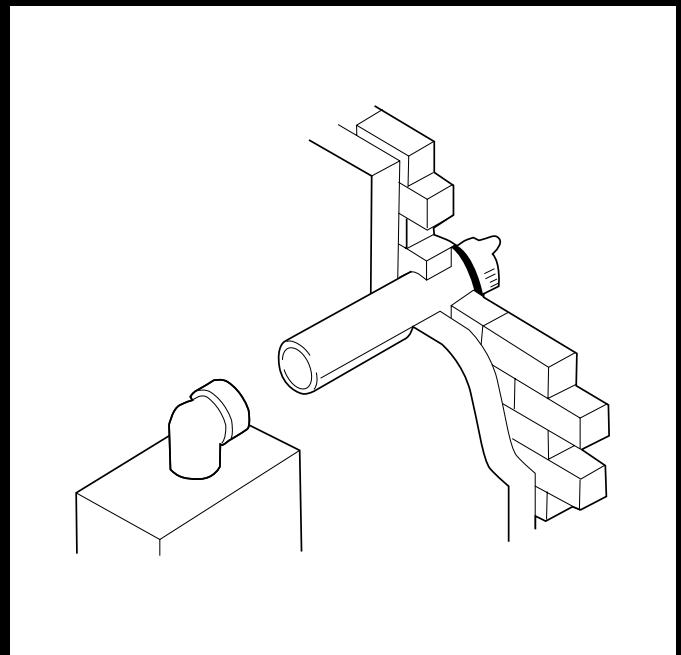
FLUE	PART NO.
Rear outlet flue outlet kit (55/80)	205990

NOTE: Length is wall thickness. Minimum wall thickness permissible is 115mm. No extensions are permitted.

FLUEING ACCESSORIES	PART NO.
Flue finishing kit (55/80)	206151

LOGIC HEAT ONLY	PART NO.
High level outlet kit (55/80)	205989

NOTE: Please refer to the installation and service manual for assistance in calculating flue lengths. For 1m extension and elbows use standard parts 203228/9 & 30.



HIGH RISE FLUE KIT

FLUE	PART NO.
Horizontal high rise flue (0.6m long)	223629
Horizontal high rise flue (1m long)	224701
Flue extension (1m) high rise	224702
Balcony kit high rise	224703

NOTE: Similar to 208171 but with an aluminium flue duct and unpainted air duct to comply with the revised Building Regulations for buildings over 18m high.

High rise flue options

When Building Regulations direct that combustible materials must not be used in the external walls of high-rise residential buildings, our high rise flues with an inner aluminium flue duct should be used.

Horizontal flue non-telescopic 0.6m (181-556mm)



Ideal part no. 208171

Horizontal flue non-telescopic 0.8m (601-816mm)



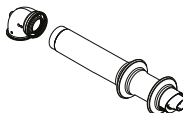
Ideal part no. 217442

Horizontal flue telescopic 0.5m (286-484mm)



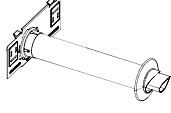
Ideal part no. 208169

Horizontal flue telescopic 0.7m (526-741mm)




Ideal part no. 208174

Horizontal flue rear outlet Heat (Ø55/80mm)



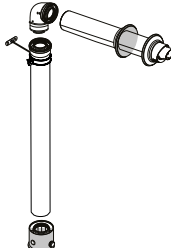
Ideal part no. 205990

Flue extension with bracket 0.5m, 1m or 2m



Ideal part no. 0.5m 211037
1m 203129
2m 211038

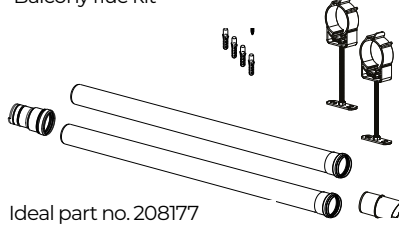
Raised horizontal flue kit



NOTE:
A 1 metre vertical pipe is supplied as standard. Both horizontal and vertical lengths can be extended.

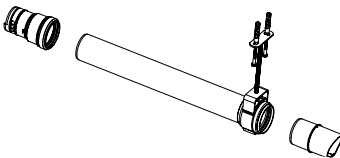
Ideal part no. 208290

Balcony flue kit



Ideal part no. 208177

Soffit flue kit



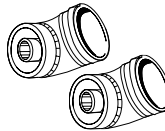
Ideal part no. 211302

Flue bend 90°



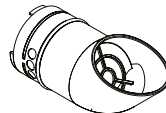
Ideal part no. 203130

Flue bend 45° pair



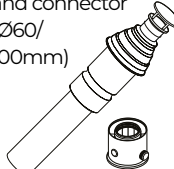
Ideal part no. 203131

Flue deflector (Ø 60mm)



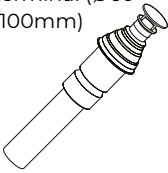
Ideal part no. 208176

Vertical flue terminal and connector (Ø60/100mm)




Ideal part no. 211039

Vertical flue terminal (Ø60/100mm)




Ideal part no. 203132

Vertical flue connector (Ø60/100mm)



Ideal part no. 208175

Vertical flue terminal extension (Ø60/100mm)



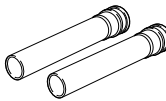
Ideal part no. 210803

Vertical flue loft air inlet (Ø80mm outlet)



Ideal part no. 203136

Flue extension 1m pair (Ø80mm)



Ideal part no. 203142

Vertical flue terminal (Ø80mm connection)




Ideal part no. 203134

Weather collar pitched roof



Ideal part no. 152258

Weather collar flat roof




Ideal part no. 152259

High level flue outlet kit (Ø60mm)



Ideal part no. 208178

Flue extension 1m for high level flue outlet (Ø60mm)



Ideal part no. 203228

High level flue bend 90° (Ø60mm)



Ideal part no. 90° 203229
45° 203230

High level flue outlet kit for Heat rear outlet



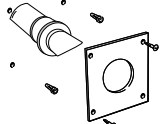
Ideal part no. 205989

Adjustable flue bracket



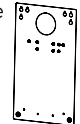
Ideal part no. Ø100 205247
Ø80 205028

Flue finishing kit (Ø100/80mm)



Ideal part no. Ø100 155988
Ø80 206151

RS terminal replacement wall plate



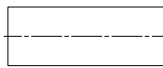
Ideal part no. System 211328
Combi 206164

Flue securing screws



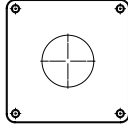
Ideal part no. 205024

Timber frame wall tube 0.4m



Ideal part no. 229130

Timber frame wall plates

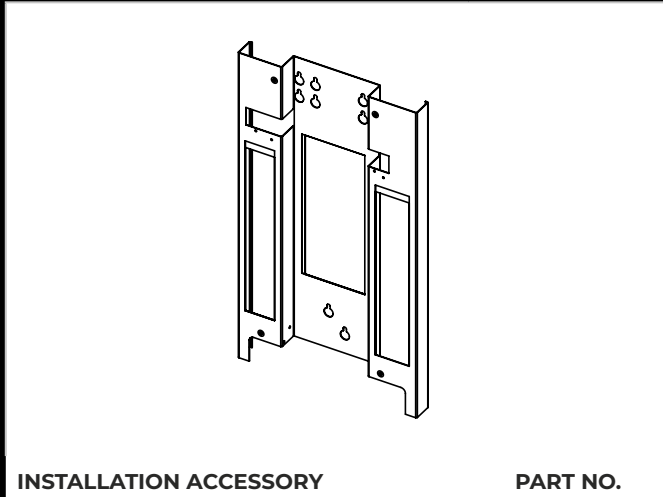


Ideal part no. 229128

Installation accessories

Our range of installation accessories are widely available due to our excellent distribution network. Our installation accessories include a range of brackets and stand off kits as well as a range of kits to help you deal with any situation.

STAND OFF KIT



INSTALLATION ACCESSORY

PART NO.

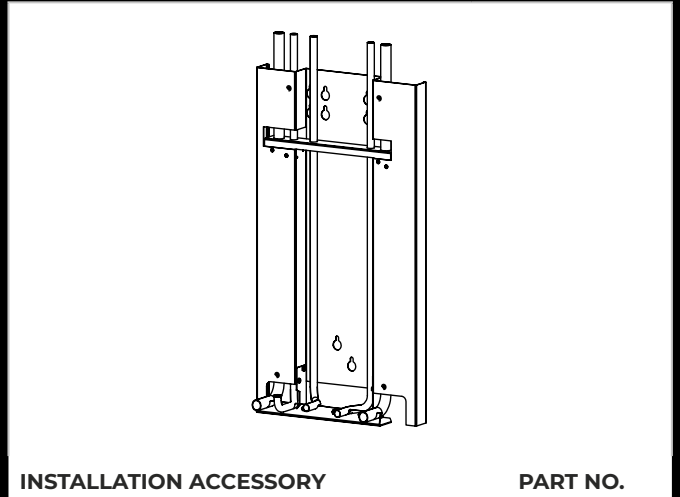
Stand-off kit Combi² and System²

229120

Stand-off kit Heat²

206153

STAND OFF KIT WITH PIPES



INSTALLATION ACCESSORY

PART NO.

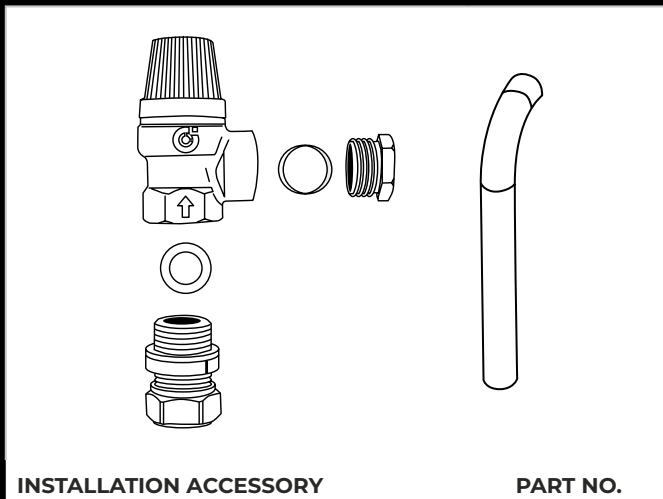
Stand-off kit with pipes Combi²

227769

Stand-off kit with pipes System²

227770

SECONDARY PRESSURE RELIEF VALVE KIT



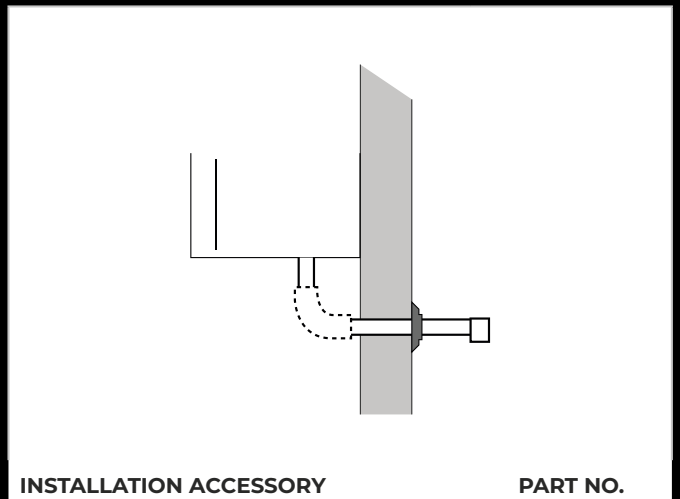
INSTALLATION ACCESSORY

PART NO.

Secondary pressure relief valve

234642

PRV OUTLET PIPE



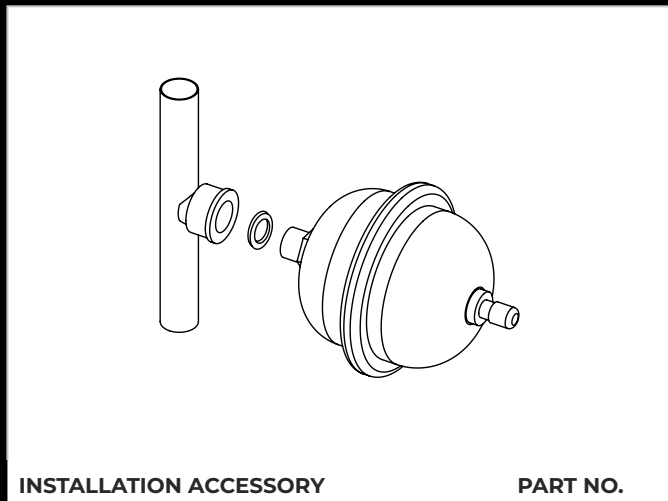
INSTALLATION ACCESSORY

PART NO.

PRV outlet pipe

205126

DHW EXPANSION VESSEL KIT



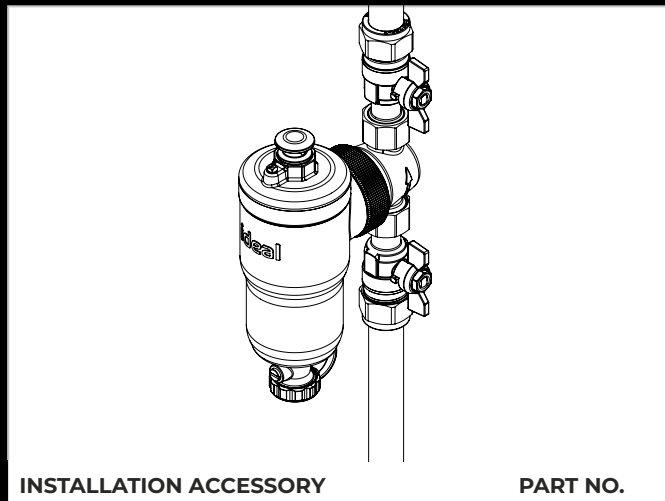
INSTALLATION ACCESSORY

PART NO.

DHW expansion vessel

205419

IDEAL SYSTEM FILTER



INSTALLATION ACCESSORY

PART NO.

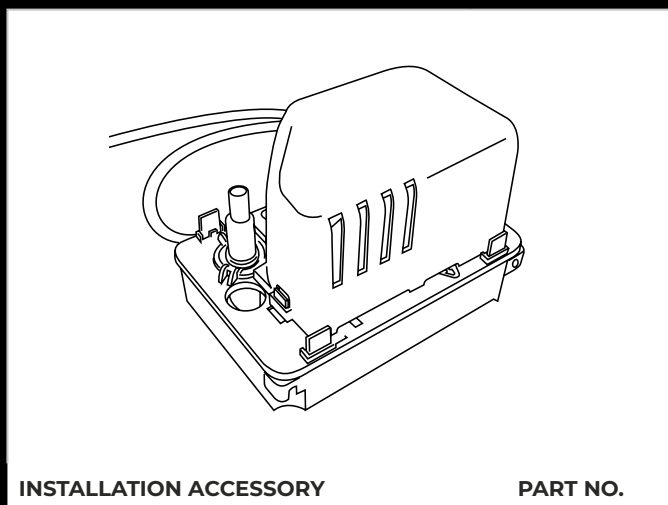
Ideal system filter

217528

Flushing adaptors for system filter

217729

CONDENSATE PUMP KIT



INSTALLATION ACCESSORY

PART NO.

Condensate pump kit

159991

Technical specifications



VOGUE MAX COMBI TECHNICAL SPECIFICATION

		VOGUE MAX COMBI		
BOILER MODEL		26	32	40
PRODUCT CODE		218856	218857	218858
SIZE	Height (mm)	740	740	740
	Width (mm)	445	445	445
	Depth (mm)	330	330	330
	Packaged weight (kg)	40.1	41.4	43.4
	Installation weight (kg)	32.4	33.8	35.4
PERFORMANCE	CH output (kW) Min/Max mean 70°C	3.7-18.0	4.6-26.0	5.7-32.0
	CH output (kW) Min/Max mean 40°C	4.0-19.3	4.9-27.9	6.1-34.3
	DHW output (kW) Max	26	32	40
	DHW flow rate l/min. 35°C rise	10.6	13.1	16.4
	SEDBUK (2005) %	91.0	91.1	91.0
	SEDBUK (2009/2012) %	89.1	89.2	89.1
	NOx Classification	6	6	6
	Optional LPG kit	Yes	Yes	Yes
CONSTRUCTION	Heat exchanger material	Stainless steel	Stainless steel	Stainless steel
	Burner type	Pre-mix with cool burner door		
	Fully modulating output	7:1	7:1	7:1
	DHW plate heat exchanger	Yes	Yes	Yes
	Integrated hydrobloc	Yes	Yes	Yes
INSTALLATION	Suitable for sealed systems	Yes	Yes	Yes
	Suitable for open-vent systems	No	No	No
	Filling loop	Yes	Yes	Yes
	Pre-wired mains lead	Yes	Yes	Yes
	In-built system bypass	Yes	Yes	Yes
	In-built condensate trap/siphon	Yes	Yes	Yes
	In-built boiler frost protection	Yes	Yes	Yes
	Safety valve drain outlet pipe	Yes	Yes	Yes
Zero compartment ventilation	Yes	Yes	Yes	
CLEARANCES	Top (min. mm) (from top of boiler)	165	165	165
	Side (mm)	2.5	2.5	2.5
	Bottom (mm)	100*	100*	100*
	Front (mm)	450*	450*	450*
USER INTERFACE	User display	Large full colour backlit LCD with text & symbols		
	User interface	Text display & multi-function buttons		
	Diagnostics	Plain English text		
	User adjustable	Manual heating & hot water controls		
	DHW preheat	Yes	Yes	Yes
	Pressure gauge	Analogue in control panel		
	In-built programmer	Optional (Mechanical & electronic)		
PIPES	Stand-off kit	Yes	Yes	Yes
	Stand-off kit inc. pipes.	Yes	Yes	Yes
FLUES	Max horizontal	10	8	8
	Max vertical	10	10	10
CONNECTIONS**	Gas supply connection	22mm copper compression		
	CH flow connection	22mm copper compression		
	CH return connection	22mm copper compression		
	Inlet connection - DHW	15mm copper compression		
	Outlet connection - DHW	15mm copper compression		
	Condensate drain	21.5mm universal		
ErP EFFICIENCIES	Condensing boiler	Yes	Yes	Yes
	Seasonal space heating efficiency class	A	A	A
	Rated heat output kW	18	26	32
	Seasonal space heating energy efficiency η_s %	93	93	93
	Sound power level, indoors LWA dB	47	50	49
	Water heating energy efficiency class	A	A	A

VOGUE MAX SYSTEM TECHNICAL SPECIFICATION

		VOGUE MAX SYSTEM			
BOILER MODEL		15	18	26	32
PRODUCT CODE		218859	218860	218861	218862
SIZE	Height (mm)	740	740	740	740
	Width (mm)	445	445	445	445
	Depth (mm)	330	330	330	330
	Packaged weight (kg)	38	38.8	40.2	42.2
	Installation weight (kg)	30.7	31.5	32.9	34.3
PERFORMANCE	CH output (kW) Min/Max mean 70°C	3.0-15.0	3.6-18.0	5.2-26.0	6.4-32.0
	CH output (kW) Min/Max mean 40°C	3.2-16.2	3.9-19.3	5.6-27.9	6.8-34.3
	DHW output (kW) Max	N/A	N/A	N/A	N/A
	DHW flow rate l/min. 35°C rise	N/A	N/A	N/A	N/A
	SEDBUK (2005) %	91.0	91.1	91.1	91.1
	SEDBUK (2009/2012) %	88.9	89.3	89.3	89.3
	NOx Classification	6	6	6	6
	Optional LPG kit	Yes	Yes	Yes	Yes
CONSTRUCTION	Heat exchanger material	Stainless steel	Stainless steel	Stainless steel	Stainless steel
	Burner type	Pre-mix with cool burner door			
	Fully modulating output	5:1	5:1	5:1	5:1
	DHW plate heat exchanger	N/A	N/A	N/A	N/A
	Integrated hydrobloc	N/A	N/A	N/A	N/A
INSTALLATION	Suitable for sealed systems	Yes	Yes	Yes	Yes
	Suitable for open-vent systems	No	No	No	No
	Filling loop	No	No	No	No
	Pre-wired mains lead	Yes	Yes	Yes	Yes
	In-built system bypass	Yes	Yes	Yes	Yes
	In-built condensate trap/siphon	Yes	Yes	Yes	Yes
	In-built boiler frost protection	Yes	Yes	Yes	Yes
	Safety valve drain outlet pipe	Yes	Yes	Yes	Yes
	Zero compartment ventilation	Yes	Yes	Yes	Yes
CLEARANCES	Top (min. mm) (from top of boiler)	165	165	165	165
	Side (mm)	2.5	2.5	2.5	2.5
	Bottom (mm)	100*	100*	100*	100*
	Front (mm)	450*	450*	450*	450*
USER INTERFACE	User display	Large full colour backlit LCD with text & symbols			
	User interface	Text display & multi-function buttons			
	Diagnostics	Plain English text			
	User adjustable	Manual heating control			
	DHW preheat	N/A	N/A	N/A	N/A
	Pressure gauge	Analogue in control panel			
	In-built programmer	No	No	No	No
PIPES	Stand-off kit	Yes	Yes	Yes	Yes
	Stand-off kit inc. pipes.	Yes	Yes	Yes	Yes
FLUES	Max horizontal	10	10	10	8
	Max vertical	10	10	10	10
CONNECTIONS**	Gas supply connection	22mm copper compression			
	CH flow connection	22mm copper compression			
	CH return connection	22mm copper compression			
	Inlet connection - DHW	N/A			
	Outlet connection - DHW	N/A			
	Condensate drain	21.5mm universal			
ErP EFFICIENCIES	Condensing boiler	Yes	Yes	Yes	Yes
	Seasonal space heating efficiency class	A	A	A	A
	Rated heat output kW	15	18	26	32
	Seasonal space heating energy efficiency η_s %	92	93	93	93
	Sound power level, indoors LWA dB	50	52	52	50
	Water heating energy efficiency class	N/A	N/A	N/A	N/A

LOGIC MAX COMBI² TECHNICAL SPECIFICATION

		LOGIC MAX COMBI ²		
BOILER MODEL		24	30	35
PRODUCT CODE		228334	228335	228336
SIZE	Height (mm)	700	700	700
	Width (mm)	395	395	395
	Depth (mm)	278	278	278
	Weight (packed) kg	34.8	35.0	35.0
	Maximum installation weight kg	28.5	28.6	28.6
PERFORMANCE	CH output (kW) Min/Max mean 70°C	4.8 - 24.2	6.1 - 24.2	7.1 - 24.2
	CH output (kW) Min/Max mean 40°C	5.1 - 25.6	6.4 - 25.6	7.5 - 25.6
	DHW output (kW) Max	24.2	30.3	35.3
	DHW flow rate l/min. 35°C rise	9.9	12.4	14.5
	SEDBUK (2005) %	91.1	91.1	91.1
	SEDBUK (2009/2012) %	89.6	89.6	89.6
	NOx Classification	6	6	6
	Optional LPG kit	Yes	Yes	Yes
CONSTRUCTION	Heat exchanger material	Cast Aluminium - Silicon Alloy		
	Burner type	Downward firing pre-mix		
	Fully modulating	Yes	Yes	Yes
	DHW plate heat exchanger	Yes	Yes	Yes
	Integrated hydrobloc	Yes	Yes	Yes
INSTALLATION	Suitable for sealed systems	Yes	Yes	Yes
	Suitable for open-vent systems	No	No	No
	Filling loop included	Yes	Yes	Yes
	Pre-wired mains lead	Yes	Yes	Yes
	Flow regulator	Yes	Yes	Yes
	In-built system bypass	Yes	Yes	Yes
	In-built condensate trap/siphon	Yes	Yes	Yes
	In-built boiler frost protection	Yes	Yes	Yes
Zero compartment ventilation	Yes	Yes	Yes	
CLEARANCES	Top (min. mm) from top of boiler	165	165	165
	Side (mm)	2.5	2.5	2.5
	Bottom (mm)	100*	100*	100*
	Front (mm)	450*	450*	450*
USER INTERFACE	User display	Full colour		
	User interface	2 knobs, 4 buttons		
	Diagnostics	Full text fault diagnosis display		
	User adjustable	Manual heating & hot water controls		
	'Eco' operation indicator	Yes	Yes	Yes
	Intelligent preheat	Yes	Yes	Yes
PIPES	Stand-off kit	Optional	Optional	Optional
	Stand-off kit inc. pipes	Optional	Optional	Optional
FLUES	Max horizontal	9m	8m	6m
	Max vertical	7.7m	7.5m	7.5m
	Vertical flue with loft inlet	22m	22m	22m
	Direct rear flue kit (55/80)	No	No	No
CONNECTIONS	Gas supply connection	15mm	15mm	15mm
	CH flow connection	22mm	22mm	22mm
	CH return connection	22mm	22mm	22mm
	Inlet connection - DCW	15mm	15mm	15mm
	Outlet connection - DHW	15mm	15mm	15mm
	Condensate drain	21.5mm	21.5mm	21.5mm
ErP EFFICIENCIES	Condensing boiler	Yes	Yes	Yes
	Seasonal space heating efficiency class	A	A	A
	Rated heat output kW	24	24	24
	Seasonal space heating energy efficiency η_s %	94	94	94
	Sound power level, indoors LWA dB	50	46	46
	Water heating energy efficiency class	A	A	A

LOGIC MAX HEAT² TECHNICAL SPECIFICATION

		LOGIC MAX HEAT ²				
BOILER MODEL		12	15	18	24	30
PRODUCT CODE		228400	222401	228402	228403	228404
SIZE	Height (mm)	700	700	700	700	700
	Width (mm)	395	395	395	395	395
	Depth (mm)	278	278	278	278	278
	Weight (packed) kg	27	27	27	27	27
	Maximum installation weight kg	21.9	21.9	21.9	21.9	21.9
PERFORMANCE	CH output (kW) Min/Max mean 70°C	4.8 - 12.0	4.8 - 15.0	4.8 - 18.0	4.8 - 24.2	6.1 - 30.3
	CH output (kW) Min/Max mean 40°C	5.1 - 13.0	5.1 - 15.9	5.1 - 19.1	5.1 - 25.6	6.4 - 31.0
	DHW output (kW) Max	N/A	N/A	N/A	N/A	N/A
	DHW flow rate l/min. 35°C rise	N/A	N/A	N/A	N/A	N/A
	SEDBUK (2005) %	91.1	91.2	91.1	91.2	91.1
	SEDBUK (2009/2012) %	89.4	89.4	89.7	89.7	89.6
	NOx Classification	6	6	6	6	6
	Optional LPG kit	No	No	Yes	Yes	Yes
CONSTRUCTION	Heat exchanger material	Cast Aluminium - Silicon Alloy				
	Burner type	Downward firing pre-mix				
	Fully modulating	Yes	Yes	Yes	Yes	Yes
	DHW plate heat exchanger	No	No	No	No	No
	Integrated hydrobloc	No	No	No	No	No
INSTALLATION	Suitable for sealed systems	Yes	Yes	Yes	Yes	Yes
	Suitable for open-vent systems	Yes	Yes	Yes	Yes	Yes
	Filling loop included	No	No	No	No	No
	Pre-wired mains lead	No	No	No	No	No
	Flow regulator	No	No	No	No	No
	In-built system bypass	No	No	No	No	No
	In-built condensate trap/siphon	Yes	Yes	Yes	Yes	Yes
	In-built boiler frost protection	Yes	Yes	Yes	Yes	Yes
Zero compartment ventilation	Yes	Yes	Yes	Yes	Yes	
CLEARANCES	Top (min. mm) from top of boiler	165	165	165	165	165
	Side (mm)	2.5	2.5	2.5	2.5	2.5
	Bottom (mm)	100*	100*	100*	100*	100*
	Front (mm)	450*	450*	450*	450*	450*
USER INTERFACE	User display	Full colour				
	User interface	1 knob, 4 buttons				
	Diagnostics	Full text fault diagnosis display				
	User adjustable	Manual heating control				
	'Eco' operation indicator	Yes	Yes	Yes	Yes	Yes
	In-built programmer	Optional	Optional	Optional	Optional	Optional
PIPES	Stand-off kit	Optional	Optional	Optional	Optional	Optional
	Stand-off kit inc. pipes	No	No	No	No	No
FLUES	Max horizontal	9m	9m	9m	9m	8m
	Max vertical	7.5m	7.5m	7.5m	7.5m	7.5m
	Vertical flue with loft inlet	22m	22m	22m	22m	22m
	Direct rear flue kit (55/80)	Yes	Yes	Yes	Yes	Yes
CONNECTIONS	Gas supply connection	15mm	15mm	15mm	15mm	15mm
	CH flow connection	22mm	22mm	22mm	22mm	22mm
	CH return connection	22mm	22mm	22mm	22mm	22mm
	Inlet connection - DHW	No	No	No	No	No
	Outlet connection - DHW	No	No	No	No	No
	Condensate drain	21.5mm	21.5mm	21.5mm	21.5mm	21.5mm
ErP EFFICIENCIES	Condensing boiler	Yes	Yes	Yes	Yes	Yes
	Seasonal space heating efficiency class	A	A	A	A	A
	Rated heat output kW	12	15	18	24	30
	Seasonal space heating energy efficiency η_s %	93	93	93	94	93
	Sound power level, indoors LWA dB	36	42	44	50	50
	Water heating energy efficiency class	N/A	N/A	N/A	N/A	N/A

LOGIC MAX SYSTEM² TECHNICAL SPECIFICATION

		LOGIC MAX SYSTEM ²			
BOILER MODEL		15	18	24	30
PRODUCT CODE		228376	228377	228378	228379
SIZE	Height (mm)	700	700	700	700
	Width (mm)	395	395	395	395
	Depth (mm)	278	278	278	278
	Weight (packed) kg	33.2	33.2	33.2	33.2
	Maximum installation weight kg	27.3	27.3	27.3	27.3
PERFORMANCE	CH output (kW) Min/Max mean 70°C	4.8 - 15.0	4.8 - 18.0	4.8 - 24.2	6.1 - 30.3
	CH output (kW) Min/Max mean 40°C	5.1 - 15.9	5.1 - 19.1	5.1 - 25.6	6.4 - 31.0
	DHW output (kW) Max	N/A	N/A	N/A	N/A
	DHW flow rate l/min. 35°C rise	N/A	N/A	N/A	N/A
	SEDBUK (2005) %	91.2	91.1	91.2	91.1
	SEDBUK (2009/2012) %	89.4	89.7	89.7	89.6
	NOx Classification	6	6	6	6
	Optional LPG kit	No	Yes	Yes	Yes
CONSTRUCTION	Heat exchanger material	Cast Aluminium - Silicon Alloy			
	Burner type	Downward firing pre-mix			
	Fully modulating	Yes	Yes	Yes	Yes
	DHW plate heat exchanger	No	No	No	No
	Integrated hydrobloc	Yes	Yes	Yes	Yes
INSTALLATION	Suitable for sealed systems	Yes	Yes	Yes	Yes
	Suitable for open-vent systems	No	No	No	No
	Filling loop included	No	No	No	No
	Pre-wired mains lead	Yes	Yes	Yes	Yes
	Flow regulator	No	No	No	No
	In-built system bypass	Yes	Yes	Yes	Yes
	In-built condensate trap/siphon	Yes	Yes	Yes	Yes
	In-built boiler frost protection	Yes	Yes	Yes	Yes
	Zero compartment ventilation	Yes	Yes	Yes	Yes
CLEARANCES	Top (min. mm) from top of boiler	165	165	165	165
	Side (mm)	2.5	2.5	2.5	2.5
	Bottom (mm)	100*	100*	100*	100*
	Front (mm)	450*	450*	450*	450*
USER INTERFACE	User display	Full colour			
	User interface	1 knob, 4 buttons			
	Diagnostics	Full text fault diagnosis display			
	User adjustable	Manual heating control			
	'Eco' operation indicator	Yes	Yes	Yes	Yes
	Intelligent preheat	No	No	No	No
PIPES	Stand-off kit	Optional	Optional	Optional	Optional
	Stand-off kit inc. pipes	Optional	Optional	Optional	Optional
FLUES	Max horizontal	9m	9m	9m	8m
	Max vertical	7.5m	7.5m	7.5m	7.5m
	Vertical flue with loft inlet	22m	22m	22m	22m
	Direct rear flue kit (55/80)	No	No	No	No
CONNECTIONS	Gas supply connection	15mm	15mm	15mm	15mm
	CH flow connection	22mm	22mm	22mm	22mm
	CH return connection	22mm	22mm	22mm	22mm
	Inlet connection - DCW	No	No	No	No
	Outlet connection - DHW	No	No	No	No
	Condensate drain	21.5mm	21.5mm	21.5mm	21.5mm
ErP EFFICIENCIES	Condensing boiler	Yes	Yes	Yes	Yes
	Seasonal space heating efficiency class	A	A	A	A
	Rated heat output kW	15	18	24	30
	Seasonal space heating energy efficiency η_{sp} %	93	93	94	93
	Sound power level, indoors LWA dB	42	44	50	50
	Water heating energy efficiency class	N/A	N/A	N/A	N/A

providing first class training.

Training options



IN-PERSON

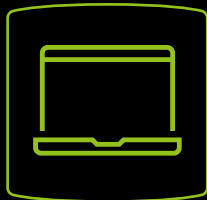
Work face-to face with our Experts in Heating.

Work on our leading range of products in-person, and complete our accreditation courses.

Scan to book your place on a training course:



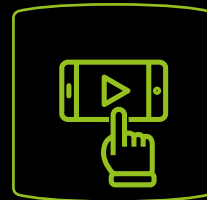
SCAN
ME



LIVE VIRTUAL

Always live, presented by our Experts in Heating.

Our live virtual training allows you to complete quality training online, without the travel time and costs. We use a fully equipped filming studio to provide high definition and detailed views. You can ask questions to our Experts throughout.



ON-DEMAND 24/7

What you need, when and where you need it!

Request a personal training account to access our comprehensive range of training products available to access 24/7. Designed to help you learn when suits you as well as providing on the job support.

[idealheating.com/installers/training](https://www.idealheating.com/installers/training)

We offer an industry leading range of training courses to help you become an expert in our products and keep on top of industry regulations. Helping you offer an exceptional service to your customers.

Our courses

We provide a range of product training courses across our domestic and product ranges free of charge.

We also offer wider installer industry training programmes from our accredited centres.

We continually update and expand our offer so please take a look at idealheating.com/training for full course details and availability.



DOMESTIC PRODUCTS

- Vogue range
- Logic² range
- Controls
- Accessories
- Alfea Heat Pump range



COMMERCIAL PRODUCTS

- Evomax 2
- Evo S
- Imax Xtra 2
- Imax Xtra EL
- Evomod
- Heat Interface Units



INDUSTRY TRAINING

- Unvented hot water
- Water regulations
- Essential electrics and safe isolation
- Heat pumps
- F-Gas
- System design

energy efficiency.

WHAT IS ERP?

- ErP is a regulation put in place by the European Union to increase the visibility of the efficiency and performance of heating and hot water products, allowing you to be aware of the impact of your purchases.
- Efficiency isn't something you need to worry about when choosing Ideal Heating, as all of our boilers achieve band A levels of efficiency, helping you to reduce your energy bills and carbon footprint.

WHAT IS BOILER PLUS?

- Boiler Plus is a Government regulation that was implemented in 2018, to improve energy efficiency in homes in England.
- Boiler Plus regulations only apply to replacement boilers being installed, so you don't need to worry about bringing your existing boiler up to standards.
- If you're fitting a replacement boiler the good news is that Ideal Heating has everything you need to comply, with all of our boilers achieving at least 92% ErP rating as standard, and a whole range of controls to suit your customers' needs!

All of our boilers
achieve band A ErP
rating of at least

92%

“We have the knowledge, experience and skills to play our part in ensuring the nation achieves its **Net Zero** targets and so our customers have the best and most advanced solutions for heating and hot water, whatever their needs and requirements.”



SHAUN EDWARDS
CEO

Delivering industry leading customer support is our promise to you which is why our UK based contact centre is open 364 days a year.

quality service every day.



At Ideal Heating we understand the importance of quality customer care and post sales support, which is why we have invested £4 million in our services to support you.

If your query cannot be resolved over the phone, we have a team of service engineers all over the UK to ensure we provide a rapid response typically the same or next day.



To ensure we are always achieving highest standards of customer service, all our customers are offered the opportunity to provide feedback on their interactions with us.

CUSTOMER SERVICE:

01482 498660

TECHNICAL HELP:

01482 498663



Your call will be answered by one of our highly trained team who will be able to help whether you are registering your warranty, booking a service or reporting an issue with your heating.



OPENING TIMES

MONDAY TO FRIDAY

08:00 – 18:00

SATURDAYS AND BANK HOLIDAYS

(EXCLUDING CHRISTMAS DAY)

08:00 – 16:00

SUNDAYS

08:00 – 12:00



Customer Service:

01482 498660

Technical Help:

01482 498663

Ideal Heating, PO Box 103, National Avenue,
Kingston upon Hull, East Yorkshire, HU5 4JN

enquiries@idealheating.com



idealheating.com

The information in this brochure was correct at the time of going to print. Ideal Heating reserve the right to make any modifications to product specifications or any other details, without prior notification. For further clarification, please enquire in writing to the head office address above.