

K·RAD

KOMPACT PANEL RADIATORS

The Kartell K-Rad Kollektion of radiators will enhance any home with space saving classic elegance and efficiency. Comprising over 210 sizes, they are manufactured using the latest state-of-the-art technology ensuring maximum efficiency.



DELIVERY CODE
A

THIS ITEM NORMALLY
DISPATCHED WITHIN
48 HOURS OF ORDER

HEIGHT
OPTIONS
300MM TO
900MM

WIDTH
OPTIONS
400MM TO
3000MM



SEE PAGES 7
FOR COLOUR
OPTIONS



SIZES	MATERIAL	COLOUR	PRESSURE TESTED TO	GUARANTEE
210+	STEEL	9016	13 BAR	10 YEARS

Internally welded with a final coating of white enamel (RAL9016) each radiator is degreased and zinc phosphated before being coated with water-based cathophoratic paint. The final coat is applied using an epoxy polyester electrostatic powder coating system that is baked to a hard finish.

You also have the protection of our 'Kartell No Quibble Guarantee' against faulty manufacture which lasts for 10 years. All radiators come complete with factory fitted top grille and side panels.



Extended range of sizes to fit application



Complete with fixing kit



CONNECTIONS

Each K-RAD Kompact radiator has 4 x 3/4" connections as standard. 3/4" valve adaptors are available, which provides a 3/4" inch connector option to the valve without reducing performance.

INSTALLATION

Everything required for installation can be found within the robust packaging.

APPLICATIONS

K-RAD radiators are suitable for two pipe installations. For single pipe applications, it is advisable to use diversion tees in the pipework, as this will assist in obtaining design performance from the radiators.

Brackets are of a strong design, with open top and deep slots, which facilitates easy and secure installation. Plastic inserts seat the radiator precisely on the bracket minimizing expansion and contraction noise.

The neat nickel-plated plug and vent provide a watertight joint, whilst complementing the superior finish.



Securely fitted top grille



Double panel



Single panel

TYPE 11



See page 10 for detailed specs and sizes

TYPE 21



See page 12 for detailed specs and sizes

TYPE 22



See page 14 for detailed specs and sizes



KOMPACT TYPE 11

STANDARD PRODUCT RANGE

Other sizes are available* - special order only.

300 Series
Height (h): 300mm

Code	Width (mm) (w)	Weight Kg/M	Water Content L/M	Output ΔT50°		Output ΔT60°	
				Watts	BTUs	Watts	BTUs
				S304K	400	3.79	0.68
S305K	500	4.74	0.85	262	892	335	1143
S306K	600	5.68	1.02	314	1071	402	1372
S308K	800	7.58	1.36	366	1249	469	1600
S310K	1000	9.47	1.70	523	1784	670	2286
S312K	1200	11.36	2.04	628	2141	804	2743
S314K	1400	13.26	2.38	732	2498	938	3201
S316K	1600	15.15	2.72	837	2855	1072	3658
S320K	2000	18.94	3.40	1046	3569	1340	4572

400 Series
Height (h): 400mm

S404K	400	4.79	0.84	270	921	346	1180
S405K	500	5.99	1.05	337	1151	432	1475
S406K	600	7.18	1.26	405	1381	519	1769
S407K	700	8.38	1.47	472	1611	605	2064
S408K	800	9.58	1.68	540	1842	691	2359
S409K	900	10.77	1.89	607	2072	778	2654
S410K	1000	11.97	2.10	675	2302	864	2949
S411K	1100	13.17	2.31	742	2532	951	3244
S412K	1200	14.36	2.52	810	2762	1037	3539
S414K	1400	16.76	2.94	945	3223	1210	4129
S416K	1600	19.15	3.36	1079	3683	1383	4718
S418K	1800	21.55	3.78	1214	4144	1556	5308
S420K	2000	23.94	4.20	1349	4604	1729	5898
S422K	2200	26.33	4.62	1484	5064	1902	6488
S427K	2700	32.32	5.67	1822	6215	2334	7962
S430K	3000	35.91	6.30	2024	6906	2593	8847

500 Series
Height (h): 500mm

S504K	400	6.03	1.00	326	1114	418	1427
S505K	500	7.54	1.25	408	1392	523	1783
S506K	600	9.04	1.50	490	1670	627	2140
S507K	700	10.55	1.75	571	1949	732	2496
S508K	800	12.06	2.00	653	2227	836	2853
S509K	900	13.56	2.25	734	2505	941	3210
S510K	1000	15.07	2.50	816	2784	1045	3566
S511K	1100	16.58	2.75	897	3062	1150	3923
S512K	1200	18.08	3.00	979	3341	1254	4280
S513K	1300	19.59	3.25	1061	3619	1359	4636
S514K	1400	21.10	3.50	1142	3897	1463	4993
S515K	1500	22.61	3.75	1224	4176	1568	5349
S516K	1600	24.11	4.00	1305	4454	1672	5706
S518K	1800	27.13	4.50	1469	5011	1881	6419
S520K	2000	30.14	5.00	1632	5568	2090	7133
S522K	2200	33.15	5.50	1795	6124	2099	7846
S524K	2400	36.17	6.00	1958	6682	2508	8558
S527K	2700	40.69	6.75	2203	7516	2822	9629
S530K	3000	45.21	7.50	2448	8351	3136	10699

600 Series
Height (h): 600mm

Code	Width (mm) (w)	Weight Kg/M	Water Content L/M	Output ΔT50°		Output ΔT60°	
				Watts	BTUs	Watts	BTUs
				S604K	400	7.35	1.16
S605K	500	9.19	1.45	475	1620	608	2076
S606K	600	11.02	1.74	570	1944	730	2491
S607K	700	12.86	2.03	665	2268	852	2906
S608K	800	14.70	2.32	760	2592	973	3321
S609K	900	16.53	2.61	855	2917	1095	3736
S610K	1000	18.37	2.90	950	3241	1217	4152
S611K	1100	20.21	3.19	1045	3565	1338	4567
S612K	1200	22.04	3.48	1140	3889	1460	4982
S613K	1300	23.88	3.77	1235	4213	1582	5397
S614K	1400	25.72	4.06	1330	4537	1703	5812
S615K	1500	27.56	4.35	1425	4861	1825	6227
S616K	1600	29.39	4.64	1520	5185	1947	6642
S618K	1800	33.07	5.22	1710	5833	2190	7473
S620K	2000	36.74	5.80	1900	6481	2433	8303
S622K	2200	40.41	6.38	2089	7129	2677	9133
S624K	2400	44.09	6.96	2280	7778	2921	9965
S627K	2700	49.60	7.83	2564	8750	3285	11209
S630K	3000	55.11	8.70	2849	9722	3650	12455

750 Series
Height (h): 750mm

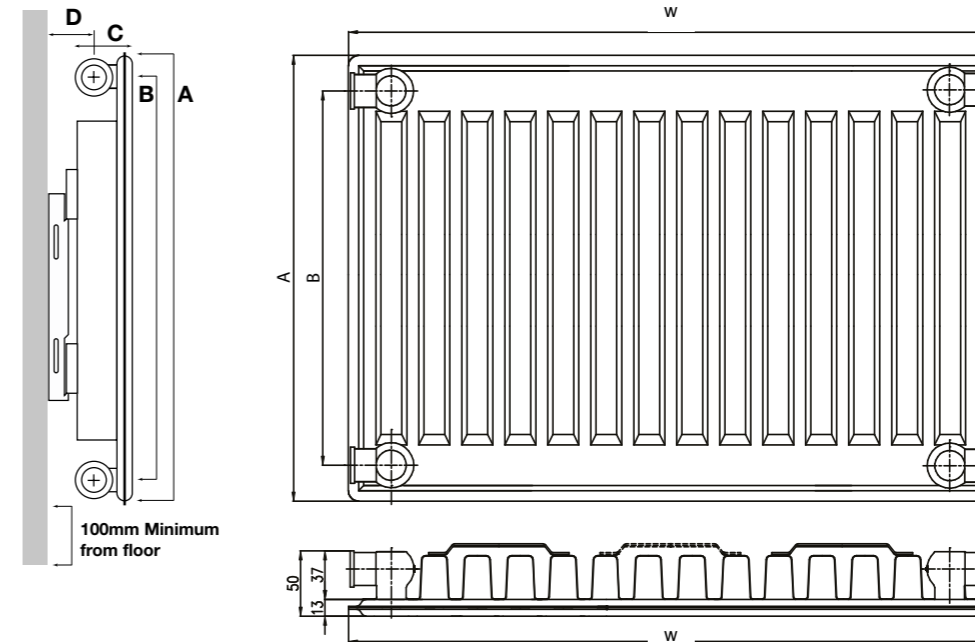
S704K	400	8.40	1.20	430	1468	551	1880
S705K	500	10.50	1.50	538	1834	689	2350
S706K	600	12.60	1.80	645	2201	827	2820
S708K	800	16.80	2.40	860	2935	1102	3760
S710K	1000	21.00	3.00	1075	3669	1378	4700
S712K	1200	25.20	3.60	1290	4403	1653	5640
S714K	1400	29.40	4.20	1505	5136	1929	6580
S716K	1600	33.60	4.80	1720	5870	2204	7520
S718K	1800	37.80	5.40	1936	6604	2480	8460

900 Series
Height (h): 900mm

S904K	400	11.11	1.40	520	1773	666	2271
S905K	500	13.89	1.75	649	2216	832	2839
S906K	600	16.66	2.10	779	2659	998	3407
S907K	700	19.44	2.45	909	3102	1165	3974
S908K	800	22.22	2.80	1039	3545	1331	4542
S909K	900	24.99	3.15	1169	3989	1498	5110

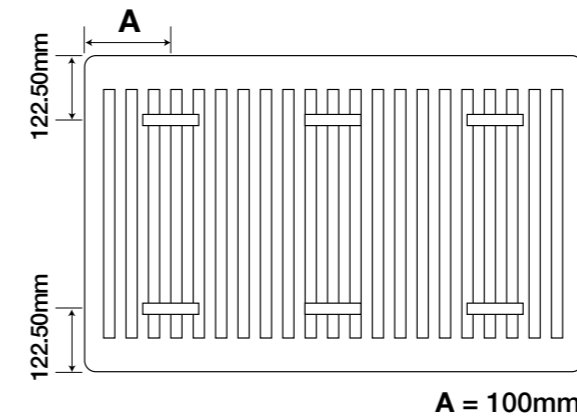
Heat output ΔT50°C = mean water temperature of 70°C and room temperature of 20°C.
Heat output ΔT60°C = mean water temperature of 80°C and room temperature 20°C.
*Other sizes are available in 100mm increments - special order only.

FITTING DIMENSIONS



Nominal Size (mm) (A)	Centre Distance (mm) (B)	Width (mm) (C)	Wall to Centre (mm) (D)
300	245	56	40 or 55
400	345	56	40 or 55
500	445	56	40 or 55
600	545	56	40 or 55
750	695	56	40 or 55
900	845	56	40 or 55

K-RAD BRACKET DETAILS



FOR MORE HEAT OUTPUT OPTIONS
SEE PAGE 17



KOMPACT TYPE 21

STANDARD PRODUCT RANGE

Other sizes are available* - special order only.

400 Series
Height (h): 400mm

Code	Width (mm) (w)	Weight Kg/M	Water Content Lt/M	Output $\Delta T50^\circ$		Output $\Delta T60^\circ$	
				Watts	BTUs	Watts	BTUs
				P404K	400	7.60	1.67
P405K	500	9.50	2.09	516	1759	661	2254
P406K	600	11.39	2.50	619	2111	793	2705
P407K	700	13.29	2.92	722	2463	925	3156
P408K	800	15.19	3.34	825	2815	1057	3607
P409K	900	17.09	3.75	928	3167	1189	4057
P410K	1000	18.99	4.17	1031	3519	1321	4508
P411K	1100	20.89	4.59	1134	3871	1453	4959
P412K	1200	22.79	5.00	1238	4223	1586	5410
P414K	1400	26.59	5.84	1444	4927	1850	6311
P416K	1600	30.38	6.67	1650	5630	2114	7213
P418K	1800	34.18	7.51	1856	6334	2378	8115
P420K	2000	37.98	8.34	2063	7038	2643	9016
P422K	2200	41.78	9.17	2269	7742	2907	9918

500 Series
Height (h): 500mm

P504K	400	9.27	1.97	493	1682	631	2154
P505K	500	11.59	2.47	616	2102	789	2693
P506K	600	13.90	2.96	739	2523	947	3232
P507K	700	16.22	3.45	863	2943	1105	3770
P508K	800	18.54	3.94	986	3363	1263	4309
P509K	900	20.85	4.44	1109	3784	1421	4847
P510K	1000	23.17	4.93	1232	4204	1579	5386
P511K	1100	25.49	5.42	1355	4625	1736	5925
P512K	1200	27.80	5.92	1479	5045	1894	6463
P514K	1400	32.44	6.90	1725	5886	2210	7540
P516K	1600	37.07	7.89	1972	6727	2526	8618
P518K	1800	41.71	8.87	2218	7568	2841	9695
P520K	2000	46.34	9.86	2464	8408	3157	10772
P522K	2200	50.97	10.85	2711	9249	3473	11849

600 Series
Height (h): 600mm

Code	Width (mm) (w)	Weight Kg/M	Water Content Lt/M	Output $\Delta T50^\circ$		Output $\Delta T60^\circ$	
				Watts	BTUs	Watts	BTUs
				P604K	400	11.43	2.28
P605K	500	14.29	2.85	708	2414	907	3093
P606K	600	17.14	3.42	849	2897	1088	3712
P607K	700	20.00	3.99	991	3380	1269	4330
P608K	800	22.86	4.56	1132	3863	1450	4949
P609K	900	25.71	5.13	1274	4346	1632	5568
P610K	1000	28.57	5.70	1415	4829	1813	6186
P611K	1100	31.43	6.27	1557	5312	1994	6805
P612K	1200	34.28	6.84	1698	5795	2176	7423
P613K	1300	37.14	7.41	1840	6277	2357	8042
P614K	1400	40.00	7.98	1981	6760	2538	8661
P615K	1500	42.86	8.55	2123	7243	2720	9279
P616K	1600	45.71	9.12	2264	7726	2901	9898
P618K	1800	51.43	10.26	2547	8692	3264	11135
P620K	2000	57.14	11.40	2830	9658	3626	12372
P622K	2200	62.85	12.54	3114	10623	3989	13610

750 Series
Height (h): 750mm

P704K	400	14.40	2.68	650	2216	832	2839
P705K	500	18.00	3.35	812	2771	1040	3549
P706K	600	21.60	4.02	974	3325	1248	4259
P708K	800	28.80	5.36	1299	4433	1664	5679
P710K	1000	36.00	6.70	1624	5541	2081	7099

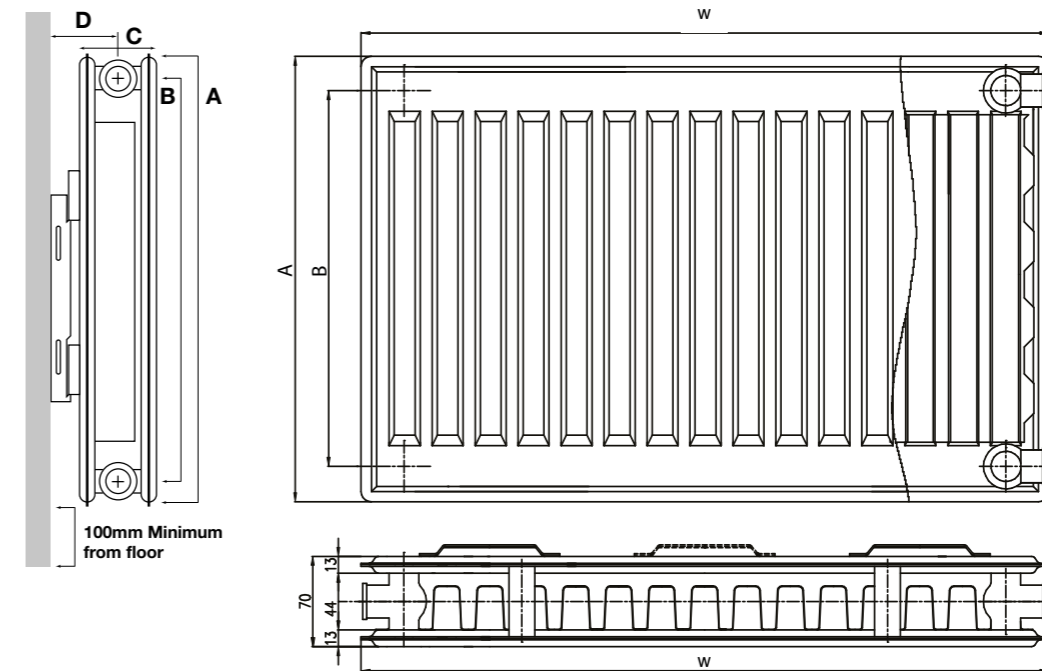
900 Series
Height (h): 900mm

P904K	400	16.99	3.08	752	2567	964	3289
P905K	500	21.24	3.85	941	3209	1205	4111
P906K	600	25.48	4.62	1129	3851	1446	4934
P907K	700	29.73	5.39	1317	4493	1687	5756
P908K	800	33.98	6.16	1505	5135	1928	6578
P909K	900	38.22	6.93	1693	5777	2169	7400

Heat output $\Delta T50^\circ C$ = mean water temperature of $70^\circ C$ and room temperature of $20^\circ C$.
Heat output $\Delta T60^\circ C$ = mean water temperature of $80^\circ C$ and room temperature $20^\circ C$.

*Other sizes are available in 100mm increments - special order only.

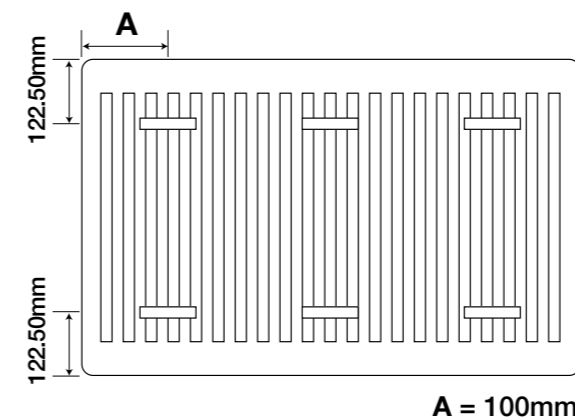
FITTING DIMENSIONS



Nominal Size (mm) (A)	Centre Distance (mm) (B)	Width (mm) (C)	Wall to Centre (mm) (D)
300	245	70	65 or 80
400	345	70	65 or 80
500	445	70	65 or 80
600	545	70	65 or 80
750	695	70	65 or 80
900	845	70	65 or 80

FOR MORE HEAT OUTPUT OPTIONS
SEE PAGE 18

K-RAD BRACKET DETAILS





KOMPACT TYPE 22

Other sizes are available* - special order only.

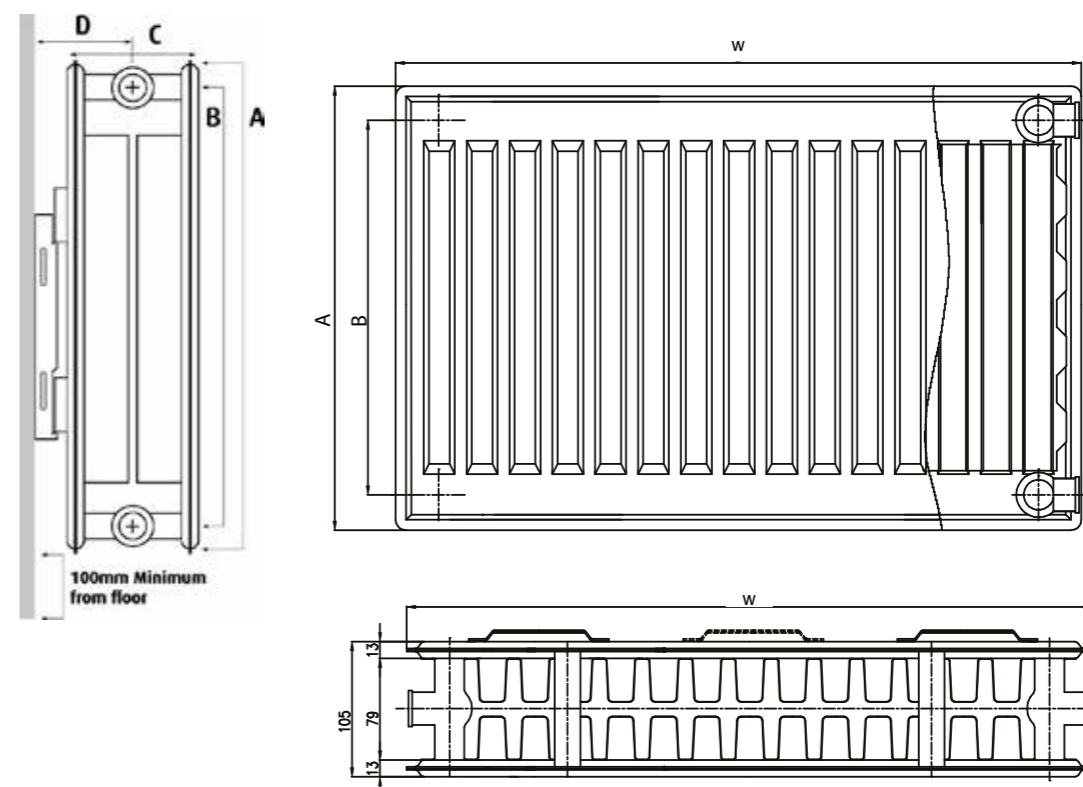
STANDARD PRODUCT RANGE

		TYPE 22							
		Code	Width (mm) (w)	Weight Kg/M	Water Content L/M	Output $\Delta T50^\circ$		Output $\Delta T60^\circ$	
						Watts	BTUs	Watts	BTUs
300 Series Height (h): 300mm	D304K	400	6.79	1.28	420	1432	538	1834	
	D306K	600	10.18	1.92	629	2148	806	2752	
	D308K	800	13.58	2.56	839	2864	1075	3669	
	D310K	1000	16.97	3.20	1049	3580	1344	4586	
	D312K	1200	20.36	3.84	1259	4296	1613	5503	
	D314K	1400	23.76	4.48	1469	5012	1882	6420	
	D316K	1600	27.15	5.12	1679	5727	2150	7337	
D320K	2000	33.94	6.40	2098	7159	2688	9172		
400 Series Height (h): 400mm	D404K	400	8.43	1.64	533	1819	683	2330	
	D405K	500	10.54	2.05	666	2273	854	2912	
	D406K	600	12.64	2.46	800	2728	1024	3495	
	D407K	700	14.75	2.87	933	3183	1195	4077	
	D408K	800	16.86	3.28	1066	3637	1366	4660	
	D409K	900	18.96	3.69	1199	4092	1536	5242	
	D410K	1000	21.07	4.10	1333	4547	1707	5825	
	D411K	1100	23.18	4.51	1466	5002	1878	6407	
	D412K	1200	25.28	4.92	1599	5456	2049	6990	
	D414K	1400	29.50	5.74	1866	6366	2390	8155	
	D416K	1600	33.71	6.56	2132	7275	2732	9320	
	D418K	1800	37.93	7.38	2399	8184	3070	10485	
	D420K	2000	42.14	8.20	2665	9094	3414	11650	
D422K	2200	46.35	9.02	2932	10003	3756	12815		
500 Series Height (h): 500mm	D504K	400	10.42	2.00	638	2176	817	2787	
	D505K	500	13.03	2.50	797	2720	1021	3484	
	D506K	600	15.64	3.00	956	3263	1225	4181	
	D507K	700	18.24	3.50	1116	3807	1430	4878	
	D508K	800	20.85	4.00	1275	4351	1634	5574	
	D509K	900	23.45	4.50	1435	4895	1838	6271	
	D510K	1000	26.06	5.00	1594	5439	2042	6968	
	D511K	1100	28.67	5.50	1754	5983	2246	7665	
	D512K	1200	31.27	6.00	1913	6527	2451	8362	
	D513K	1300	33.88	6.50	2072	7071	2655	9058	
	D514K	1400	36.48	7.00	2232	7615	2859	9755	
	D515K	1500	39.09	7.50	2391	8159	3063	10452	
	D516K	1600	41.70	8.00	2551	8703	3268	11149	
D518K	1800	46.91	9.00	2869	9790	3676	12542		
D520K	2000	52.12	10.00	3188	10878	4084	13936		
D522K	2200	57.33	11.00	3507	11966	4493	15330		
D524K	2400	62.54	12.00	3826	13054	4901	16723		

		TYPE 22							
		Code	Width (mm) (w)	Weight Kg/M	Water Content L/M	Output $\Delta T50^\circ$		Output $\Delta T60^\circ$	
						Watts	BTUs	Watts	BTUs
600 Series Height (h): 600mm	D604K	400	12.55	2.36	734	2504	940	3208	
	D605K	500	15.69	2.95	917	3130	1175	4010	
	D606K	600	18.82	3.54	1101	3756	1410	4812	
	D607K	700	21.96	4.13	1284	4382	1645	5614	
	D608K	800	25.10	4.72	1468	5008	1880	6416	
	D609K	900	28.23	5.31	1651	5634	2115	7218	
	D610K	1000	31.37	5.90	1835	6260	2350	8020	
	D611K	1100	34.51	6.49	2018	6886	2585	8822	
	D612K	1200	37.64	7.08	2202	7512	2820	9624	
	D613K	1300	40.78	7.67	2385	8138	3056	10425	
	D614K	1400	43.92	8.26	2569	8764	3291	11227	
	D615K	1500	47.06	8.85	2752	9390	3526	12029	
	D616K	1600	50.19	9.44	2935	10016	3761	12831	
	D618K	1800	56.47	10.62	3302	11268	4231	14435	
	D620K	2000	62.74	11.80	3669	12520	4701	16039	
	D622K	2200	69.01	12.98	4036	13772	5171	17643	
	D624K	2400	75.29	14.16	4404	15024	5640	19248	
D627K	2700	84.70	15.93	4954	16902	6346	21653		
D630K	3000	94.11	17.70	5504	18780	7051	24059		
750 Series Height (h): 750mm	D704K	400	16.80	2.70	830	2832	1063	3628	
	D705K	500	21.00	3.38	1038	3540	1329	4536	
	D706K	600	25.20	4.05	1245	4248	1595	5443	
	D708K	800	33.60	5.40	1660	5665	2127	7257	
	D710K	1000	42.00	6.75	2075	7081	2659	9071	
	D712K	1200	50.40	8.10	2490	8497	3190	10885	
	D714K	1400	58.80	9.45	2905	9913	3722	12700	
D716K	1600	67.20	10.80	3320	11329	4254	14514		
900 Series Height (h): 900mm	D904K	400	18.92	3.04	908	3344	1255	4284	
	D905K	500	23.65	3.80	1225	4180	1569	5355	
	D906K	600	28.38	4.56	1470	5016	1883	6426	
	D907K	700	33.11	5.32	1715	5852	2197	7496	
	D908K	800	37.84	6.08	1960	6688	2511	8567	
	D909K	900	42.57	6.84	2205	7523	2825	9638	
	D910K	1000	47.30	7.60	2450	8359	3139	10709	
	D911K	1100	52.03	8.36	2695	9195	3453	11780	
	D912K	1200	56.76	9.12	2940	10031	3766	12851	

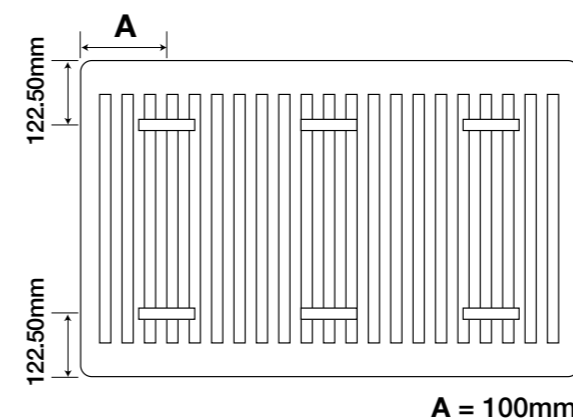
Heat output $\Delta T50^\circ C$ = mean water temperature of $70^\circ C$ and room temperature of $20^\circ C$.
 Heat output $\Delta T60^\circ C$ = mean water temperature of $80^\circ C$ and room temperature $20^\circ C$.
 *Other sizes are available in 100mm increments - special order only.

FITTING DIMENSIONS



Nominal Size (mm) (A)	Centre Distance (mm) (B)	Width (mm) (C)	Wall to Centre (mm) (D)
300	245	105	82.5 or 97.5
400	345	105	82.5 or 97.5
500	445	105	82.5 or 97.5
600	545	105	82.5 or 97.5
750	695	105	82.5 or 97.5
900	845	105	82.5 or 97.5

K-RAD BRACKET DETAILS

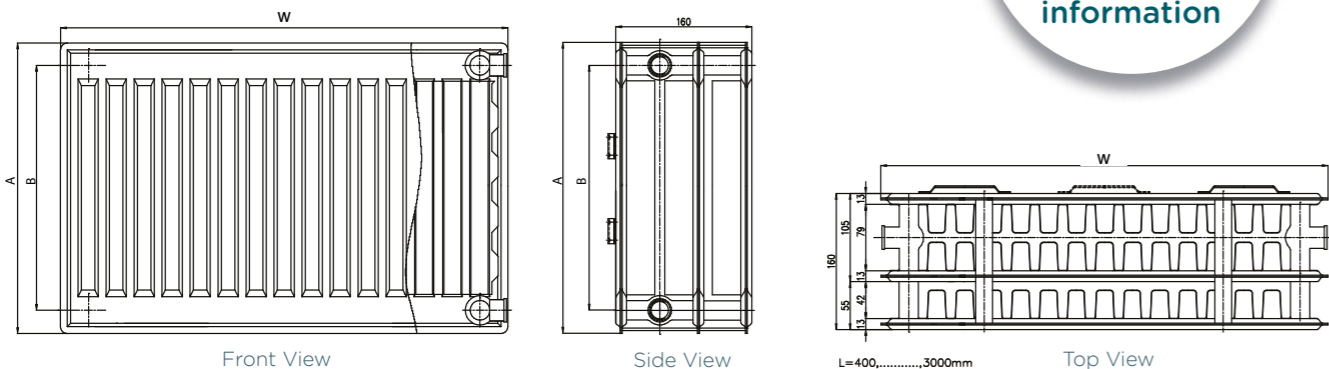


FOR MORE HEAT OUTPUT OPTIONS
SEE PAGE 19



KOMPACT TYPE 33

STANDARD PRODUCT RANGE



Other sizes are available* - contact sales office for more information

Heat output ΔT30°C - These outputs indicate radiator performance when using a Geo-Therm appliance (Flow Temperature 55°C / Return Temperature 45°C / Room Temperature 20°C)
Heat output ΔT42.5°C - These outputs indicate radiator performance when using a Geo-Therm appliance (Flow Temperature 70°C / Return Temperature 55°C / Room Temperature 20°C)
Heat output ΔT50°C - These outputs indicate radiator performance when using a condensing / HE appliance (Flow Temperature 75°C / Return Temperature 65°C / Room Temperature 20°C)
Heat output ΔT60°C - These outputs indicate radiator performance when using a non-condensing / SE appliance (Flow Temperature 90°C / Return Temperature 70°C / Room Temperature 20°C)

Width	ΔT	Mean Temperature °C	300			400			500			600			750			900		
			Heat Output			Heat Output			Heat Output			Heat Output			Heat Output			Heat Output		
			Watt	Kcal/h	BTU	Watt	Kcal/h	BTU	Watt	Kcal/h	BTU	Watt	Kcal/h	BTU	Watt	Kcal/h	BTU	Watt	Kcal/h	BTU
400	30	55/45/20	294	253	1005	374	322	1275	448	385	1528	517	445	1765	666	573	2274	703	605	2399
	42.5	70/55/20	461	397	1574	586	504	1999	702	604	2394	811	698	2766	769	662	2625	1102	948	3760
	50	75/65/20	572	493	1953	726	625	2478	870	749	2970	1006	865	3431	1194	1027	4073	1367	1176	4664
	60	90/70/20	724	623	2472	920	791	3138	1102	948	3759	1273	1095	4343	1530	1317	5220	1730	1489	5903
600	30	55/45/20	442	380	1507	561	483	1913	672	578	2292	776	668	2648	1000	860	3411	1055	908	3599
	42.5	70/55/20	692	596	2361	879	756	2998	1052	906	3591	1216	1047	4149	1154	993	3937	1653	1422	5640
	50	75/65/20	859	739	2930	1090	938	3718	1306	1124	4455	1508	1298	5147	1790	1541	6109	2050	1764	6995
	60	90/70/20	1087	935	3707	1379	1187	4707	1652	1422	5638	1909	1643	6514	2295	1975	7831	2595	2233	8854
800	30	55/45/20	589	507	2009	748	643	2551	896	771	3056	1035	891	3531	1333	1147	4548	1407	1210	4799
	42.5	70/55/20	923	794	3149	1171	1008	3997	1403	1208	4788	1621	1395	5532	1538	1324	5249	2204	1897	7519
	50	75/65/20	1145	985	3906	1453	1250	4957	1741	1498	5940	2011	1731	6862	2387	2054	8145	2734	2352	9327
	60	90/70/20	1449	1247	4943	1839	1583	6275	2203	1896	7517	2546	2191	8686	3060	2633	10441	3460	2978	11806
1000	30	55/45/20	736	634	2512	935	804	3189	1120	963	3820	1293	1113	4413	1666	1434	5684	1758	1513	5999
	42.5	70/55/20	1154	993	3936	1464	1260	4996	1754	1510	5985	2027	1744	6915	1923	1655	6561	2755	2371	9399
	50	75/65/20	1431	1231	4883	1816	1563	6196	2176	1873	7425	2514	2164	8578	2984	2568	10181	3417	2941	11659
	60	90/70/20	1811	1559	6179	2299	1978	7844	2754	2370	9397	3182	2738	10857	3825	3292	13051	4325	3722	14757
1200	30	55/45/20	883	760	3014	1121	965	3826	1343	1156	4584	1552	1336	5296	1999	1720	6821	2110	1816	7198
	42.5	70/55/20	1384	1191	4723	1757	1512	5996	2105	1812	7182	2432	2093	8298	2308	1986	7874	3306	2845	11279
	50	75/65/20	1717	1478	5859	2179	1875	7435	2611	2247	8909	3017	2596	10293	3581	3082	12218	4100	3529	13991
	60	90/70/20	2173	1870	7415	2759	2374	9413	3305	2844	11276	3818	3286	13028	4590	3950	15661	5190	4466	17708
1400	30	55/45/20	1031	887	3517	1308	1126	4464	1567	1349	5348	1811	1558	6179	2332	2007	7958	2461	2118	8398
	42.5	70/55/20	1615	1390	5510	2050	1764	6995	2456	2113	8379	2837	2442	9681	2692	2317	9186	3857	3319	13159
	50	75/65/20	2003	1724	6836	2542	2188	8675	3046	2622	10394	3520	3029	12009	4178	3595	14254	4784	4117	16322
	60	90/70/20	2535	2182	8651	3219	2770	10982	3856	3318	13155	4455	3834	15200	5355	4608	18271	6055	5211	20660
1600	30	55/45/20	1178	1014	4019	1495	1287	5102	1791	1541	6112	2070	1781	7061	2666	2294	9095	2813	2421	9598
	42.5	70/55/20	1846	1588	6297	2343	2106	7994	2807	2415	9576	3243	2791	11064	3077	2648	10498	4408	3793	15039
	50	75/65/20	2290	1970	7812	2906	2501	9914	3482	2996	11879	4022	3462	13724	4774	4109	16290	5467	4705	18654
	60	90/70/20	2898	2494	9887	3678	3166	12551	4406	3792	15035	5091	4381	17371	6120	5267	20881	6920	5955	23611
1800	30	55/45/20	1325	1140	4521	1682	1448	5740	2015	1734	6876	2328	2004	7944	2999	2581	10232	3165	2723	10798
	42.5	70/55/20	2076	1787	7084	2636	2268	8993	3157	2717	10773	3648	3140	12447	3461	2979	11810	4959	4267	16919
	50	75/65/20	2576	2217	8789	3269	2813	11153	3917	3371	13364	4525	3894	15440	5371	4622	18327	6151	5293	20986
	60	90/70/20	3260	2805	11122	4138	3561	14120	4957	4266	16914	5728	4929	19543	6885	5925	23492	7785	6700	26562
2000	30	55/45/20	1472	1267	5024	1869	1609	6377	2239	1927	7640	2587	2226	8827	3332	2867	11369	3516	3026	11997
	42.5	70/55/20	2307	1985	7872	2929	2520	9993	3508	3019	11970	4054	3488	13831	3846	3310	13123	5510	4741	18799
	50	75/65/20	2862	2463	9765	3632	3126	12392	4352	3745	14849	5028	4327	17156	5968	5136	20363	6834	5881	23318
	60	90/70/20	3622	3117	12358	4598	3957	15688	4740	4187	18793	6364	5477	21714	7650	6583	26102	8650	7444	29514

For all lengths and 20°C room temperature. * Mean temperature - the water inlet and outlet temperatures and a room temperature of 20°C

KOMPACT TYPE 11

ADDITIONAL HEAT OUTPUT OPTIONS

Heat output ΔT30°C - These outputs indicate radiator performance when using a Geo-Therm appliance (Flow Temperature 55°C / Return Temperature 45°C / Room Temperature 20°C)
Heat output ΔT42.5°C - These outputs indicate radiator performance when using a Geo-Therm appliance (Flow Temperature 70°C / Return Temperature 55°C / Room Temperature 20°C)
Heat output ΔT50°C - These outputs indicate radiator performance when using a condensing / HE appliance (Flow Temperature 75°C / Return Temperature 65°C / Room Temperature 20°C)
Heat output ΔT60°C - These outputs indicate radiator performance when using a non-condensing / SE appliance (Flow Temperature 90°C / Return Temperature 70°C / Room Temperature 20°C)

Width	ΔT	Mean Temperature °C	300			400			500			600			750			900		
			Heat Output			Heat Output			Heat Output			Heat Output			Heat Output			Heat Output		
			Watt	Kcal/h	BTU	Watt	Kcal/h	BTU	Watt	Kcal/h	BTU	Watt	Kcal/h	BTU	Watt	Kcal/h	BTU	Watt	Kcal/h	BTU
400	30	55/45/20	109	94	372	140	121	479	170	146	580	198	170	675	246	212	841	271	233	923
	42.5	70/55/20	171	147	582	220	189	751	266	229	908	310	267	1058	284	245	970	424	365	1447
	50	75/65/20	209	180	714	270	232	921	326	281	1114	380	327	1297	430	370	1467	519	447	1772
	60	90/70/20	268	231	914	346	297	1179	418	360	1426	487	419	1661	551	474	1881	666	573	2271
500	30	55/45/20	136	117	465	176	151	599	212	183	725	247	213	844	308	265	1051	338	291	1154
	42.5	70/55/20	213	184	728	275	237	939	333	286	1136	388	334	1322	356	306	1213	530	456	1808
	50	75/65/20	262	225	892	338	290	1152	408	351	1392	475	409	1621	538	463	1834	649	559	2214
	60	90/70/20	335	288	1143	432	372	1474	523	450	1783	609	524	2076	689	593	2351	832	716	2839
600	30	55/45/20	163	141	558	211	181	719	255	219	870	297	255	1013	370	318	1261	406	349	1385
	42.5	70/55/20	256	220	874	330	284	1127	399	344	1363	465	400	1587	427	367	1456	636	547	2170
	50	75/65/20	314	270	1071	405	349	1382	490	421	1671	570	491	1945	645	555	2201	779	670	2657
	60	90/70/20	402	346	1372	518	446	1769	627	540	2139	730	628	2491	827	712	2821	998	859	3407
700	30	55/45/20	191	164	650	246	212	839	297	256	1015	346	298	1182	431	371	1471	473	407	1616
	42.5	70/55/20	299	257	1019	385	332	1314	466	401	1590	543	467	1851	498	428	1698	742	638	2531
	50	75/65/20	366	315	1249	473	407	1612	571	492	1949	665	572							

KOMPACT TYPE 21 ADDITIONAL HEAT OUTPUT OPTIONS

Heat output $\Delta T30^{\circ}\text{C}$ - These outputs indicate radiator performance when using a Geo-Therm appliance (Flow Temperature 55°C / Return Temperature 45°C / Room Temperature 20°C)

Heat output $\Delta T42.5^{\circ}\text{C}$ - These outputs indicate radiator performance when using a Geo-Therm appliance (Flow Temperature 70°C / Return Temperature 55°C / Room Temperature 20°C)

Heat output $\Delta T50^{\circ}\text{C}$ - These outputs indicate radiator performance when using a condensing / HE appliance (Flow Temperature 75°C / Return Temperature 65°C / Room Temperature 20°C)

Heat output $\Delta T60^{\circ}\text{C}$ - These outputs indicate radiator performance when using a non-condensing / SE appliance (Flow Temperature 90°C / Return Temperature 70°C / Room Temperature 20°C)

Width	ΔT	Mean Temperature* $^{\circ}\text{C}$	300				400				500				600				750				900			
			Heat Output				Heat Output				Heat Output				Heat Output				Heat Output				Heat Output			
			Watt	Kcal/h	BTU		Watt	Kcal/h	BTU		Watt	Kcal/h	BTU		Watt	Kcal/h	BTU		Watt	Kcal/h	BTU		Watt	Kcal/h	BTU	
400	30	55/45/20	160	138	546	215	185	733	257	221	876	295	254	1006	355	306	1212	392	337	1337						
	42.5	70/55/20	251	216	855	337	290	1148	402	346	1373	462	398	1576	410	352	1398	614	528	2095						
	50	75/65/20	311	267	1060	412	355	1407	493	424	1681	566	487	1931	650	559	2216	753	648	2569						
	60	90/70/20	394	339	1343	528	455	1803	632	544	2155	725	624	2474	832	716	2840	964	830	3289						
500	30	55/45/20	200	172	682	268	231	916	321	276	1095	368	317	1257	444	382	1515	490	422	1671						
	42.5	70/55/20	313	270	1069	421	362	1435	503	433	1716	577	497	1970	512	441	1747	768	661	2619						
	50	75/65/20	389	334	1326	516	444	1759	616	530	2102	708	609	2414	812	699	2771	941	810	3211						
	60	90/70/20	492	423	1679	661	568	2254	790	679	2694	907	780	3093	1041	895	3550	1205	1037	4111						
600	30	55/45/20	240	207	819	322	277	1099	385	331	1314	442	381	1509	533	459	1818	588	506	2006						
	42.5	70/55/20	376	324	1283	505	434	1723	603	519	2059	693	596	2364	614	529	2096	921	793	3143						
	50	75/65/20	466	401	1591	619	532	2111	739	636	2522	849	731	2897	974	839	3325	1129	972	3853						
	60	90/70/20	590	508	2014	793	682	2704	947	815	3233	1088	936	3712	1249	1075	4260	1446	1244	4934						
700	30	55/45/20	280	241	955	376	323	1283	449	387	1533	516	444	1760	622	535	2121	686	590	2340						
	42.5	70/55/20	439	378	1497	589	507	2010	704	606	2402	808	696	2758	717	617	2446	1075	925	3666						
	50	75/65/20	544	468	1856	722	621	2462	862	742	2943	991	852	3380	1137	978	3879	1317	1134	4495						
	60	90/70/20	689	593	2350	925	796	3155	1105	951	3771	1269	1092	4330	1457	1254	4970	1687	1452	5756						
800	30	55/45/20	320	275	1092	430	370	1466	513	442	1752	590	507	2012	710	611	2424	784	674	2674						
	42.5	70/55/20	501	431	1711	673	579	2297	805	692	2745	924	795	3152	819	705	2795	1228	1057	4190						
	50	75/65/20	622	535	2121	825	710	2814	986	848	3363	1132	974	3862	1299	1108	4433	1506	1296	5137						
	60	90/70/20	787	677	2686	1057	909	3606	1263	1087	4310	1450	1248	4949	1665	1433	5680	1928	1659	6578						
900	30	55/45/20	360	310	1228	483	416	1649	578	497	1971	663	571	2263	799	688	2727	882	759	3008						
	42.5	70/55/20	564	485	1925	757	652	2584	905	779	3088	1039	894	3546	922	793	3144	1382	1189	4714						
	50	75/65/20	699	602	2386	928	799	3166	1109	954	3783	1274	1096	4345	1462	1258	4987	1694	1458	5779						
	60	90/70/20	886	762	3022	1189	1023	4057	1421	1223	4849	1632	1404	5567	1873	1612	6390	2169	1867	7401						
1000	30	55/45/20	400	344	1365	537	462	1832	642	552	2190	737	634	2515	888	764	3030	980	843	3343						
	42.5	70/55/20	627	539	2138	841	724	2871	1006	866	3432	1155	994	3940	1024	881	3494	1535	1321	5238						
	50	75/65/20	777	669	2651	1031	887	3518	1232	1060	4204	1415	1218	4828	1590	1368	5425	1882	1620	6421						
	60	90/70/20	984	847	3357	1321	1137	4507	1579	1359	5388	1813	1560	6186	2038	1754	6954	2410	2074	8223						
1100	30	55/45/20	440	379	1501	591	508	2015	706	608	2409	811	698	2766	977	841	3333	1078	927	3677						
	42.5	70/55/20	689	593	2352	926	797	3158	1106	952	3775	1270	1093	4334	1126	969	3843	1689	1453	5761						
	50	75/65/20	855	736	2916	1134	976	3870	1355	1166	4624	1557	1340	5311	1786	1537	6095	2070	1782	7064						
	60	90/70/20	1082	931	3693	1453	1251	4958	1737	1495	5926	1994	1716	6805	2289	1970	7810	2651	2281	9045						
1200	30	55/45/20	480	413	1638	644	555	2199	770	663	2628	884	761	3018	1066	917	3636	1176	1012	4011						
	42.5	70/55/20	752	647	2566	1010	869	3445	1207	1039	4118	1386	1193	4728	1229	1057	4193	1842	1585	6285						
	50	75/65/20	932	802	3181	1237	1065	4221	1478	1272	5044	1698	1461	5794	1949	1677	6649	2258	1944	7706						
	60	90/70/20	1181	1016	4029	1585	1364	5409	1895	1631	6465	2176	1872	7423	2497	2149	8520	2892	2489	9868						
1300	30	55/45/20	520	448	1774	698	601	2382	834	718	2847	958	825	3269	1154	993	3939	1274	1096	4345						
	42.5	70/55/20	815	701	2780	1094	941	3732	1307	1125	4441	1501	1292	5122	1331	1146	4542	1996	1717	6809						
	50	75/65/20	1010	869	3446	1340	1153	4573	1602	1378	5465	1840	1583	6276	2111	1817	7203	2447	2106	8348						
	60	90/70/20	1279	1101	4365	1717	1478	5859	2053	1767	7004	2357	2028	8042	2705	2328	9230	3133	2696	10690						
1400	30	55/45/20	560	482	1911	752	647	2565	899	773	3066	1032	888	3520	1243	1070	4242	1372	1180	4680						
	42.5	70/55/20	877	755	2994	1178	1014	4019	1408	1212	4804	1617	1391	5516	1434	1234	4891	2149	1849	7333						
	50	75/65/20	1088	936	3712	1443	1242	4925	1725	1484	5885	1981	1705	6759	2274	1957	7758	2635	2267	8990						
	60	90/70/20	1378	1186	4700	1849	1592	6310	2211	1902	7543	2538	2184	8660	2913	2507	9941	3374	2904	11512						
1500	30	55/45/20	600	516	2047	805	693	2748	963	829	3285	1105	951	3772	1332	1146	4545	1470	1265	5014						
	42.5	70/55/20	940	809	3208	1262	1086	4306	1509	1298	5147	1732	1491	5910	1536	1322	5241	2303	1982	7856						
	50	75/65/20	1166	1003	3977	1547	1331	5277	1848	1590	6305	2123	1827	7242	2436	2096	8312	2823	2429	9632						
	60	90/70/20	1476	1270	5036	1982	1705	6761	2369	2038	8081	2720	2340	9279	3122	2686	10651	3615	3111	12334						
1600	30	55/45/20	640	551	2184	859	739	2932	1027	884	3504	1179	1015	4023	1421	1223	4848	1567	1349	5348						
	42.5	70/55/20	1003	863	3422	1346	1159	4593	1609	1385	5490	1848	1590	6304	1638	1410	5590	2456	2114	8380						
	50	75/65/20	1243	1070	4242	1650	1420	5628	1971	1696	6726	2264	1948	7725	2598	2236	8866	3011	2591	10274						
	60	90/70/20	1574	1355	5372	2114	1819	7212	2526	2174	8620	2901	2496	9898	3330	2865	11361	3856	3318	13157						
1800	30	55/45/20	720	620	2457	967	832	3298	1155	994	3942	1327	1142	4526	1598	1376	5454	1763	1518	6017						
	42.5	70/55/20	1128	971	3849	1515	1303	5168	1810	1558	6177	2079	1789	7092	1843	1586	6289	2763	2378	9428						
	50	75/65/20	1399	1204	4772	1856	1597	6332	2218	1908	7566	2547	2192	8690	2923	2516	9974	3388	2915	11558						
	60	90/70/20	1771	1524	6043	2378	2046	8113	2842	2446	9698	3263	2808	11355	3746											