



Spare Parts List

Advance Plus 25C ERP	47–583–35
Advance Plus 30C ERP	47–583–36
Advance Plus 35C ERP	47–583–37
Advance Plus 16S ERP	41–583–27
Advance Plus 25S ERP	41–583–28
Advance Plus 30S ERP	41–583–29

Issue 05/2018

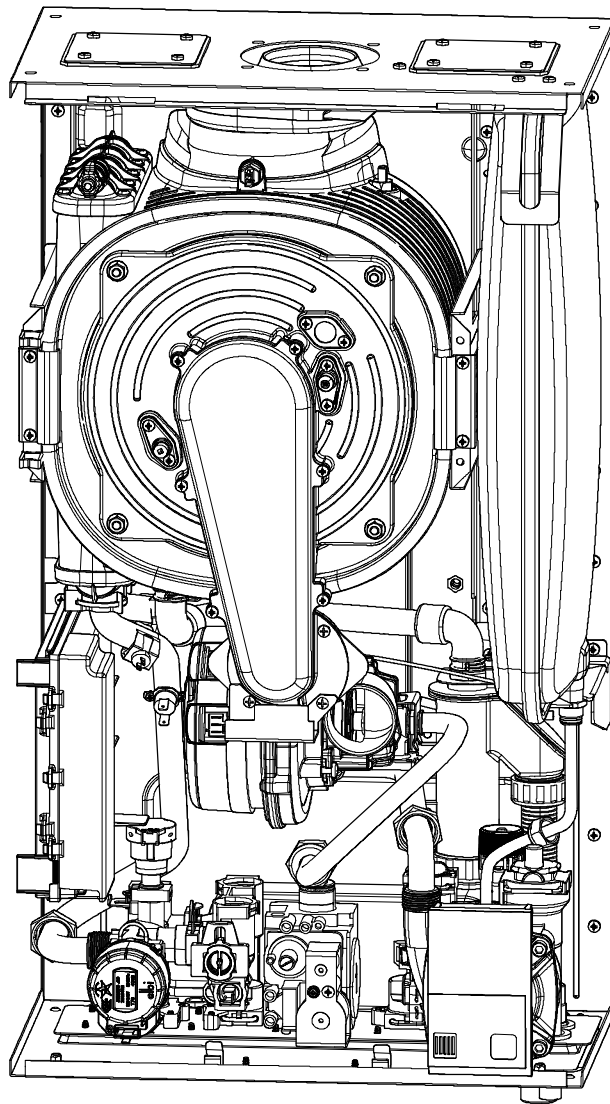
Table description	Issue	n. of pages
Overall view	06/2015	1
C.h. return group and d.h.w. heat exchanger	05/2018	1
C.h. flow group and three way diverter valve	05/2018	1
C.h. flow and return groups	02/2018	1
Pump and main circuit assembly	05/2018	1
Gas assembly	05/2018	1
Valves and connection pipes combi	02/2018	1
Valves and connection pipes system	02/2018	1
Control panel and ignition device	02/2018	1
Wiring	02/2018	1
Fan, combustion chamber and case panels	06/2015	1
List of parts combi	05/2018	10
List of parts system	05/2018	7

Advance Plus 25C ERP
Advance Plus 30C ERP
Advance Plus 35C ERP
Advance Plus 16S ERP
Advance Plus 25S ERP
Advance Plus 30S ERP

47-583-35
47-583-36
47-583-37
41-583-27
41-583-28
41-583-29

Overall view

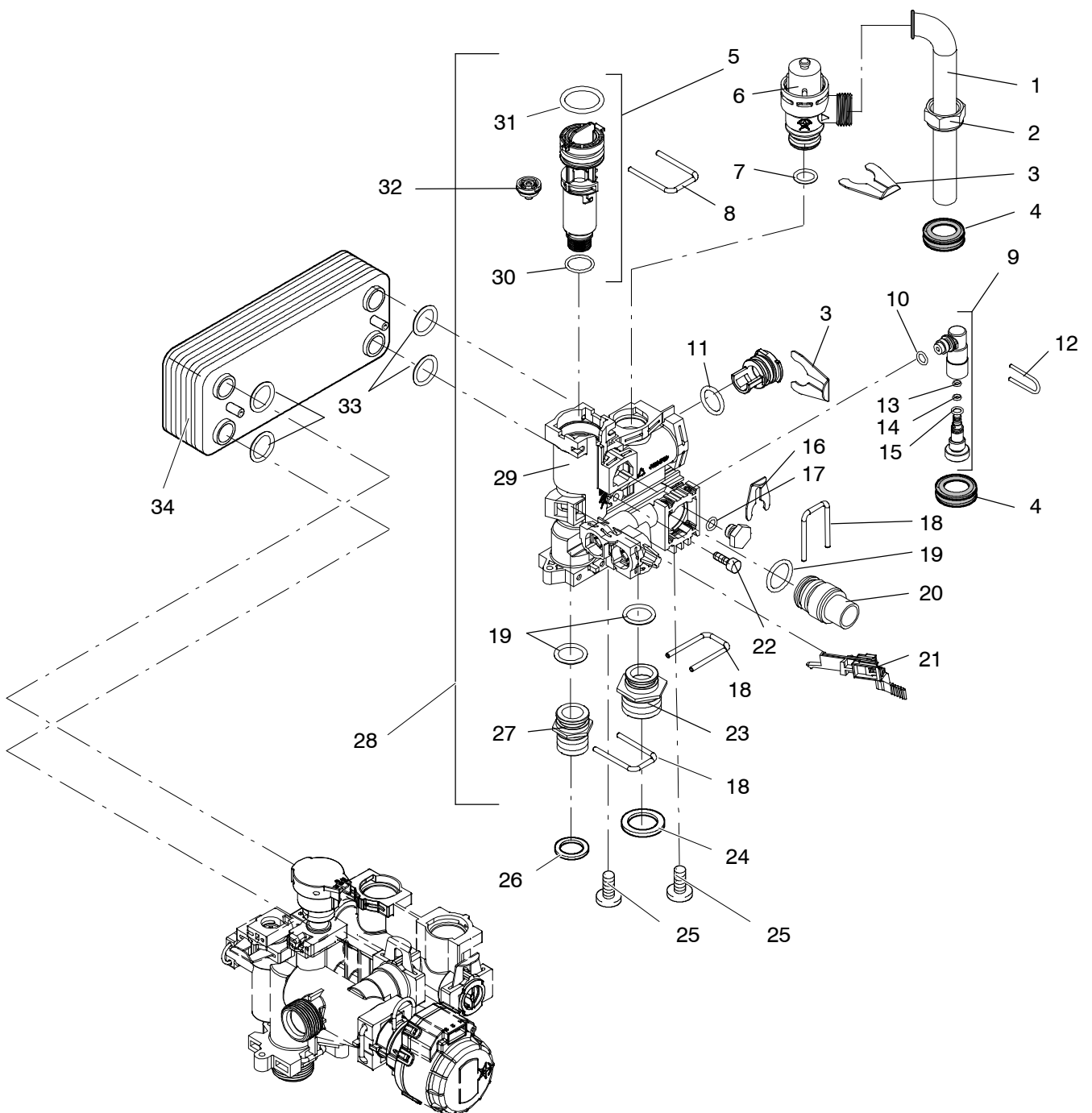
DATA BADGE: inner side of left case panel



Advance Plus 25C ERP
Advance Plus 30C ERP
Advance Plus 35C ERP

47-583-35
47-583-36
47-583-37

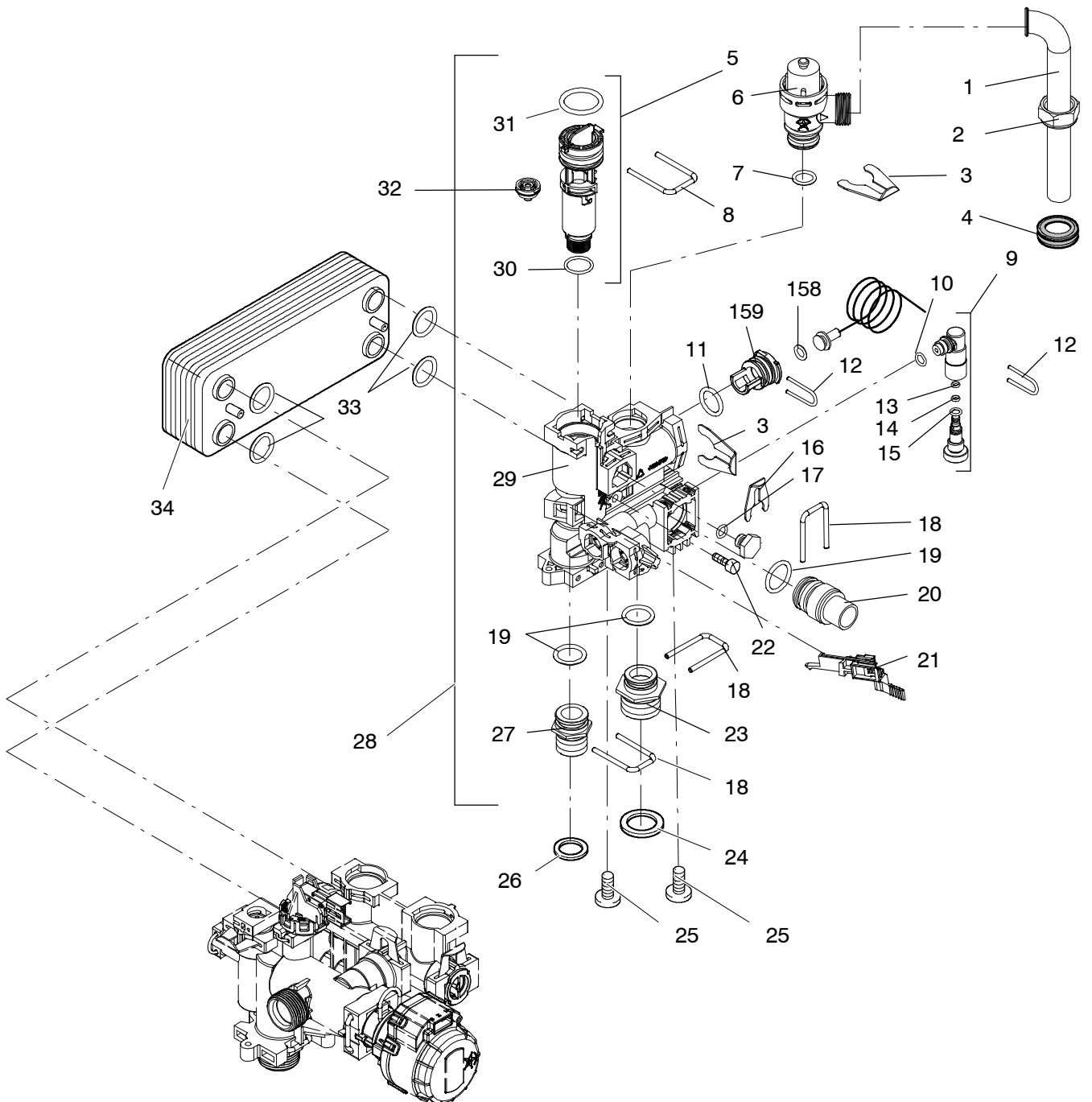
C.h. return group and d.h.w. heat exchanger up to serial no 047200118



Advance Plus 25C ERP
Advance Plus 30C ERP
Advance Plus 35C ERP

47-583-35
47-583-36
47-583-37

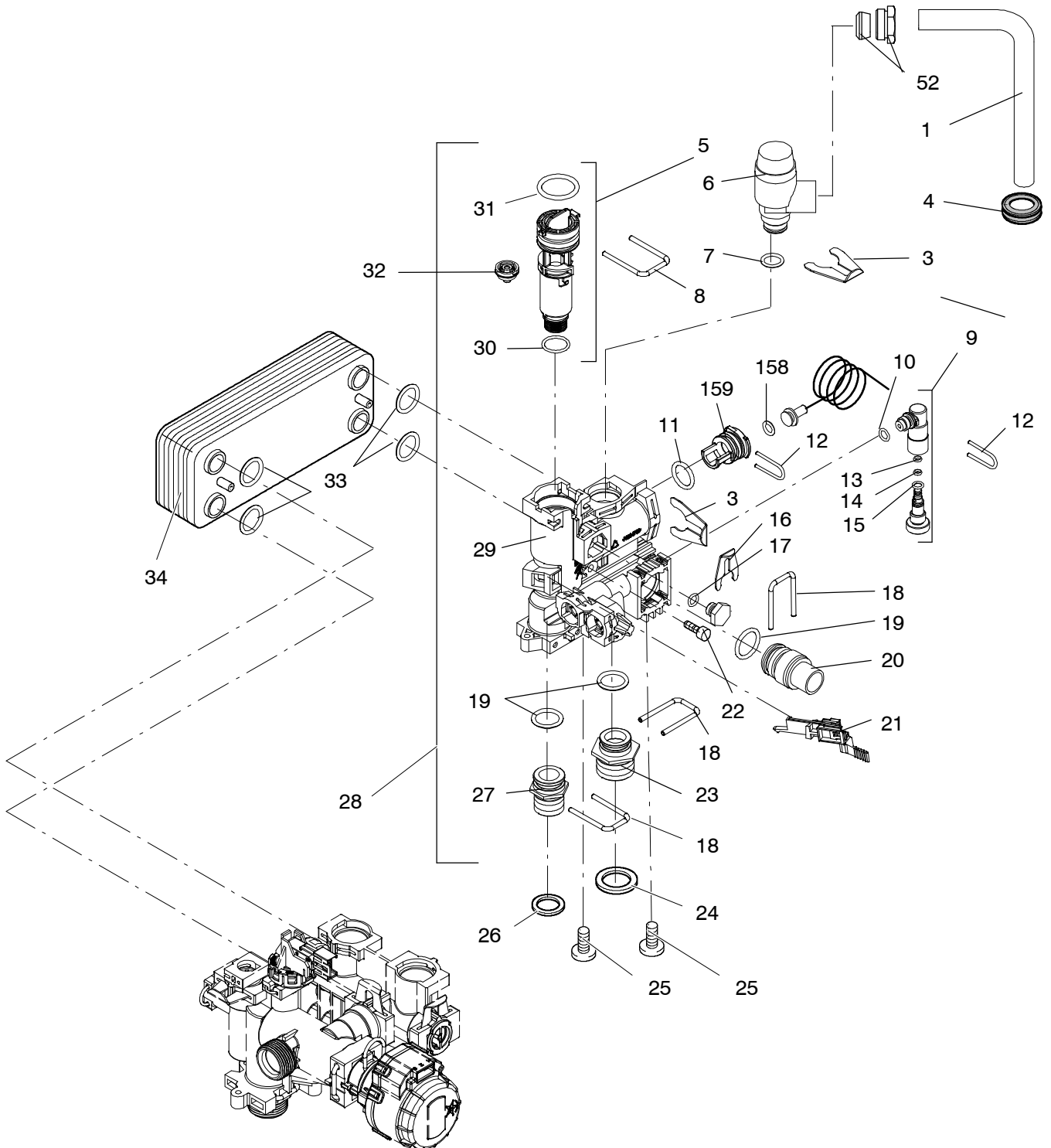
C.h. return group and d.h.w. heat exchanger from serial no 047210118 up to serial no 030890518



Advance Plus 25C ERP
Advance Plus 30C ERP
Advance Plus 35C ERP

47-583-35
47-583-36
47-583-37

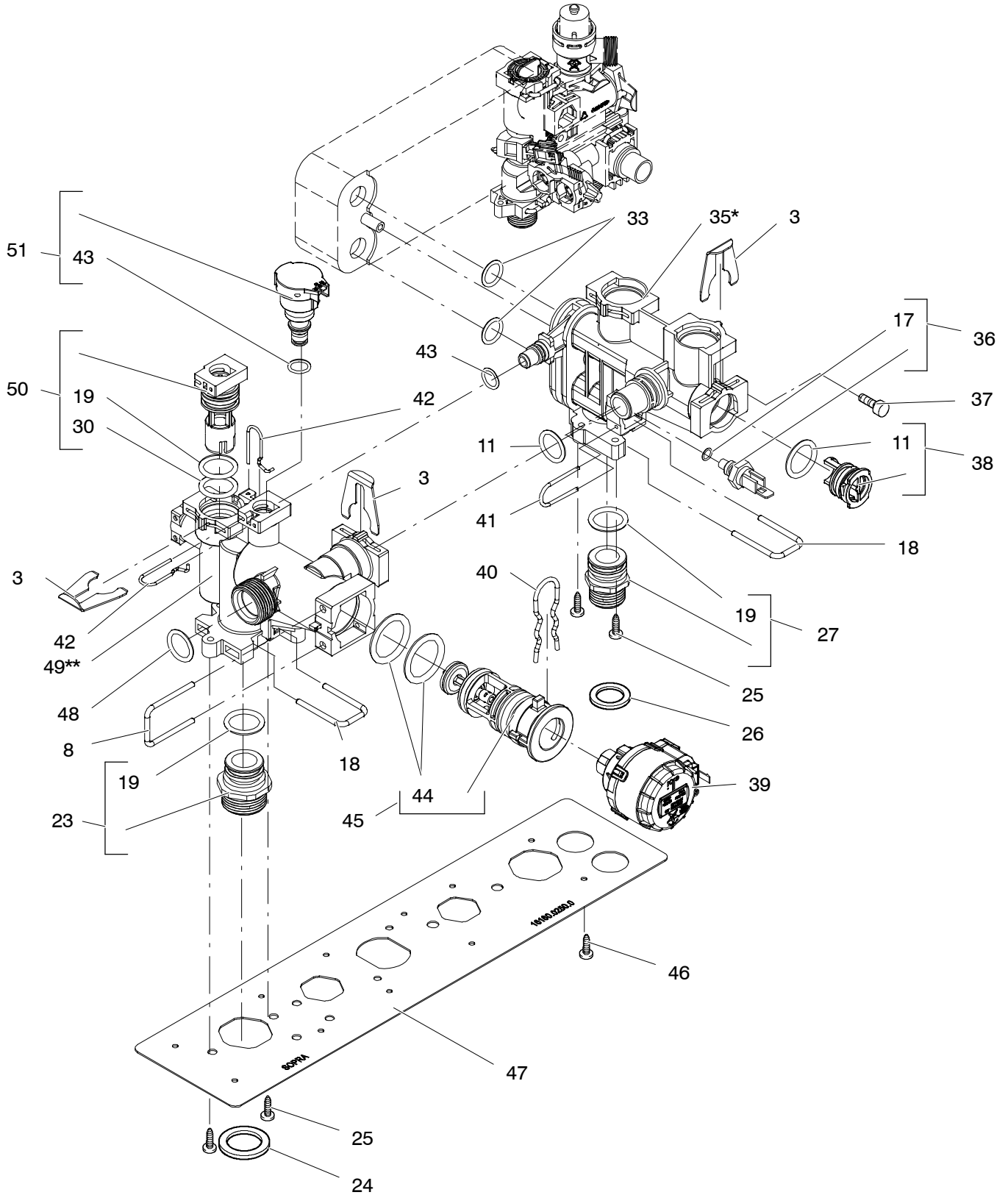
C.h. return group and d.h.w. heat exchanger from serial no 030900518



Advance Plus 25C ERP
Advance Plus 30C ERP
Advance Plus 35C ERP

47-583-35
47-583-36
47-583-37

C.h. flow group and three way diverter valve up to serial no 047200118



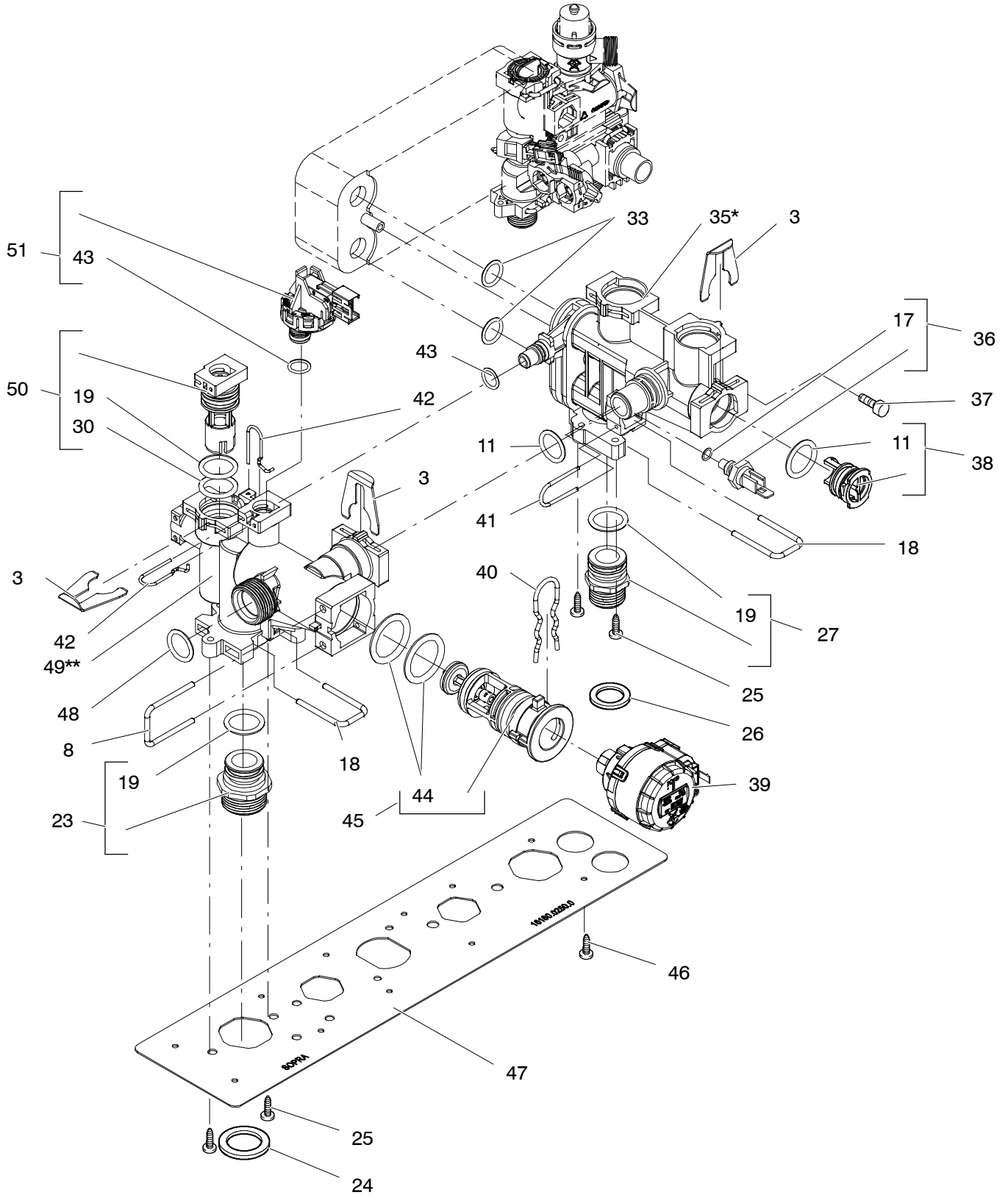
* Includes items 33, 17, 11, 19, 43

** Includes items 48, 11, 19, 44, 43, 30

Advance Plus 25C ERP
Advance Plus 30C ERP
Advance Plus 35C ERP

47-583-35
47-583-36
47-583-37

C.h. flow group and three way diverter valve from serial no 047210118



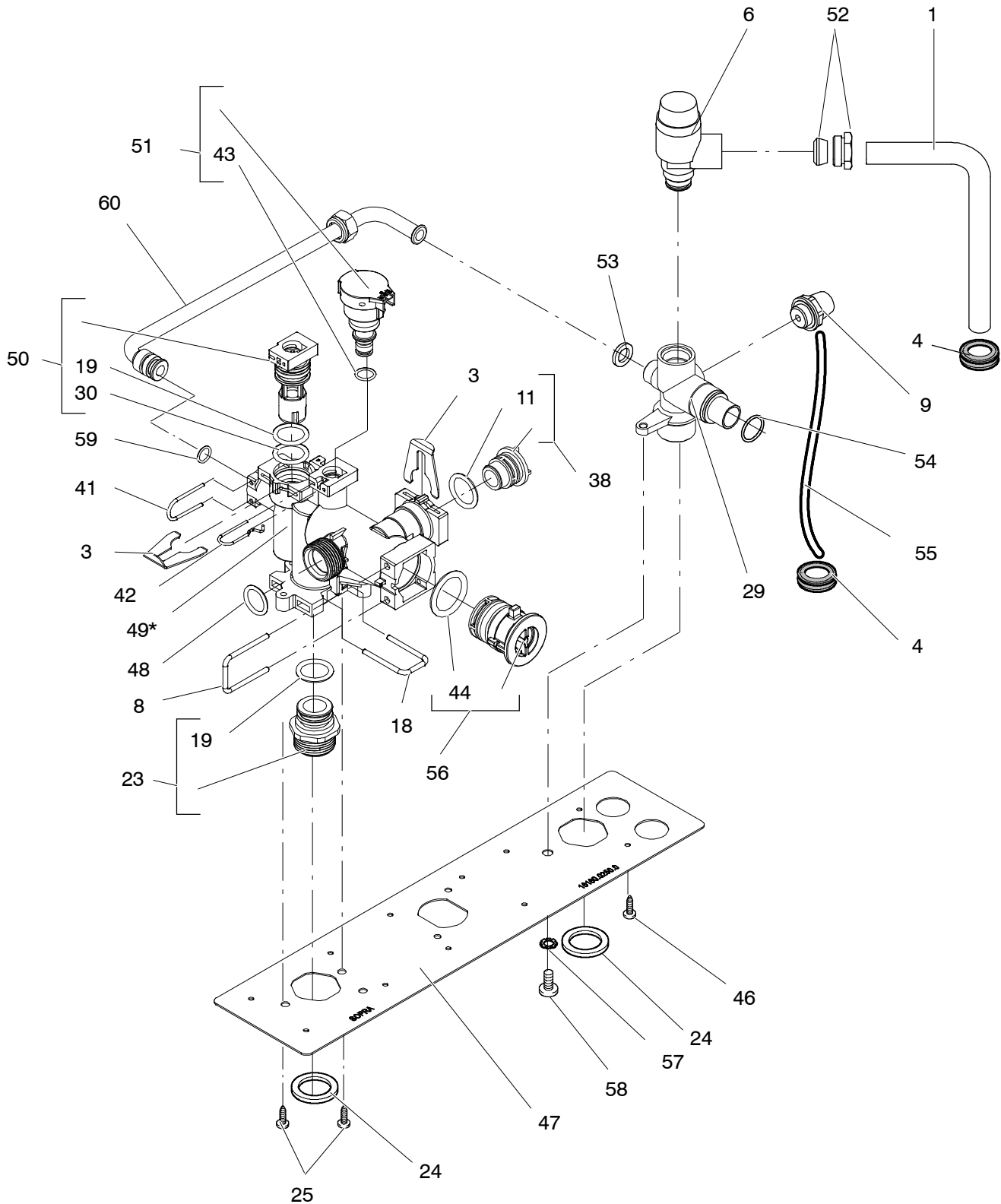
* Includes items 33, 17, 11, 19, 43

** Includes items 48, 11, 19, 44, 43, 30

Advance Plus 16S ERP
Advance Plus 25S ERP
Advance Plus 30S ERP

41-583-27
41-583-28
41-583-29

C.h. flow and return groups up to serial no 047200118

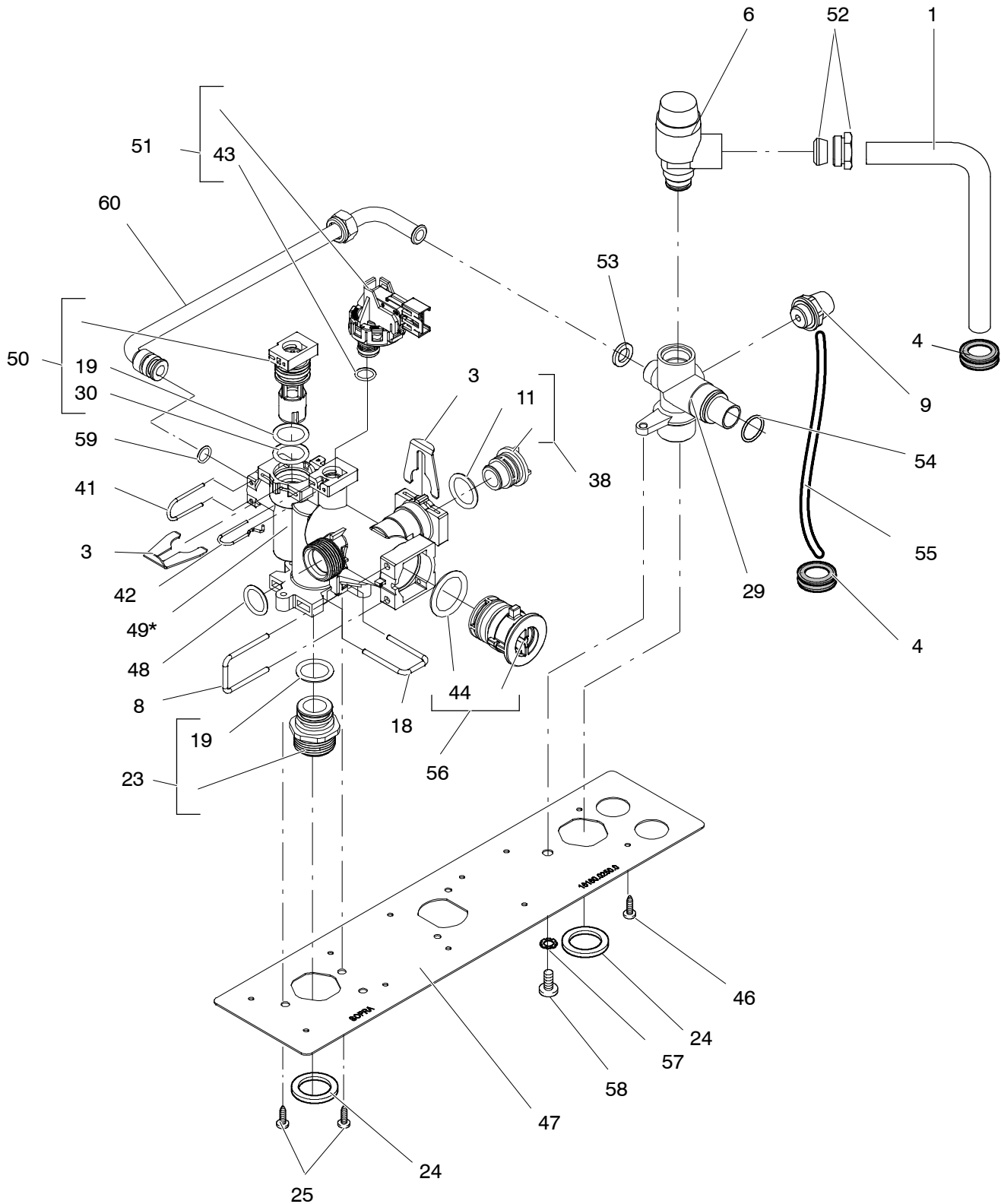


* Includes items 48, 59, 11, 19, 44, 43, 38, 56, 30

Advance Plus 16S ERP
Advance Plus 25S ERP
Advance Plus 30S ERP

41-583-27
41-583-28
41-583-29

C.h. flow and return groups from serial no 047210118

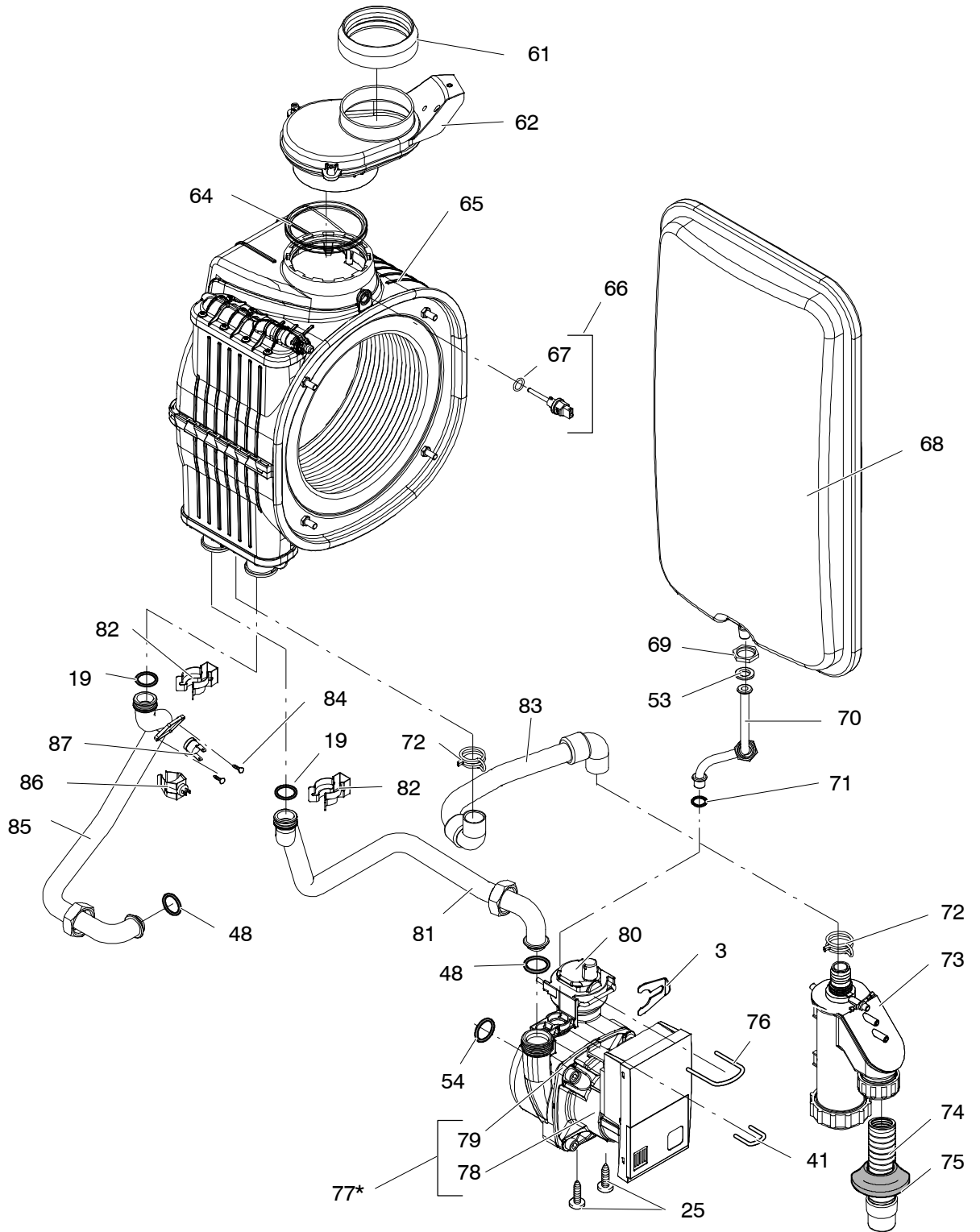


* Includes items 48, 59, 11, 19, 44, 43, 38, 56, 30

Advance Plus 25C ERP
 Advance Plus 30C ERP
 Advance Plus 35C ERP
 Advance Plus 16S ERP
 Advance Plus 25S ERP
 Advance Plus 30S ERP

47-583-35
 47-583-36
 47-583-37
 41-583-27
 41-583-28
 41-583-29

Pump and main circuit assembly up to serial no
 030890518

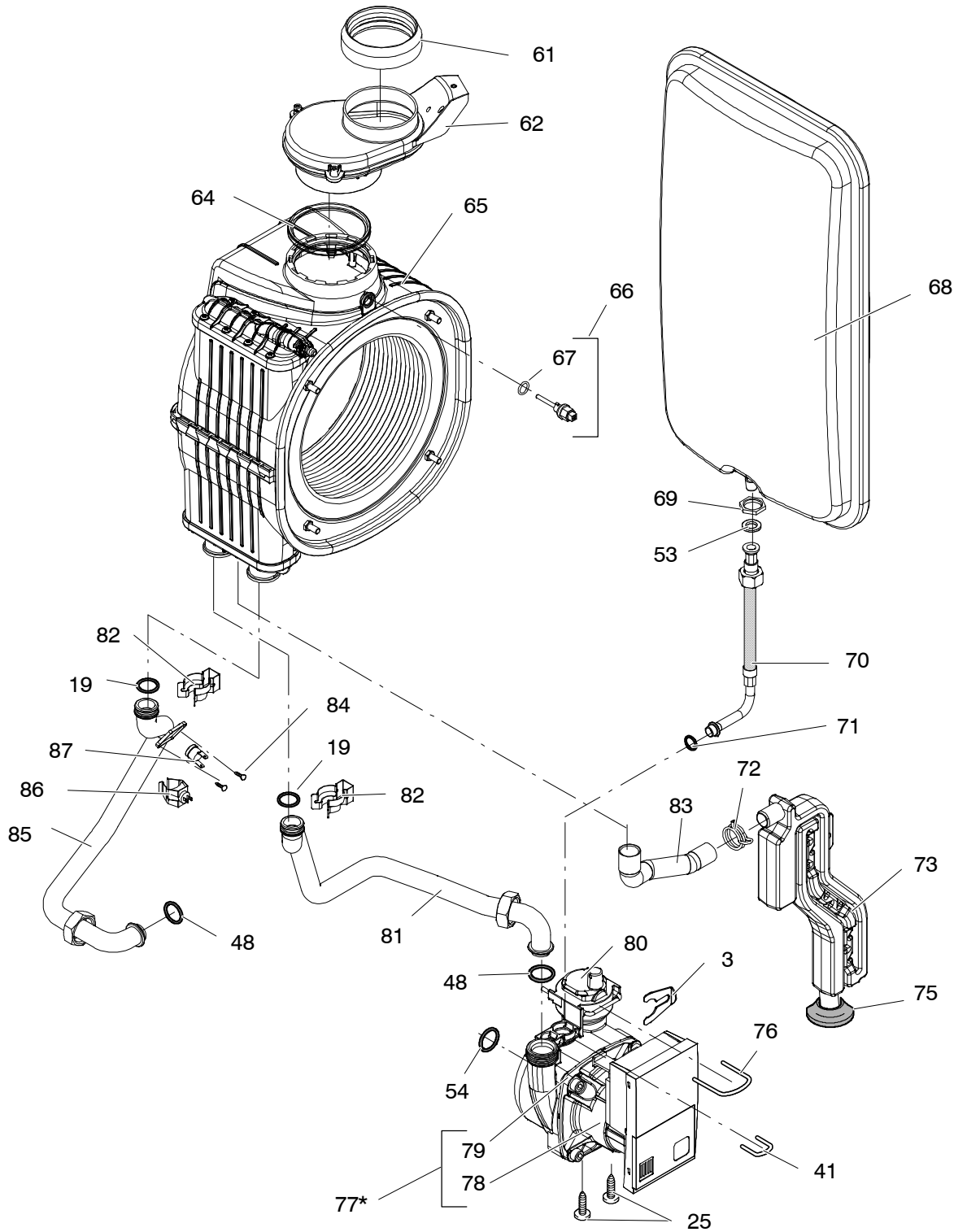


* Includes items 76

Advance Plus 25C ERP
 Advance Plus 30C ERP
 Advance Plus 35C ERP
 Advance Plus 25S ERP
 Advance Plus 30S ERP

47-583-35
 47-583-36
 47-583-37
 41-583-28
 41-583-29

Pump and main circuit assembly from serial no
 030900518

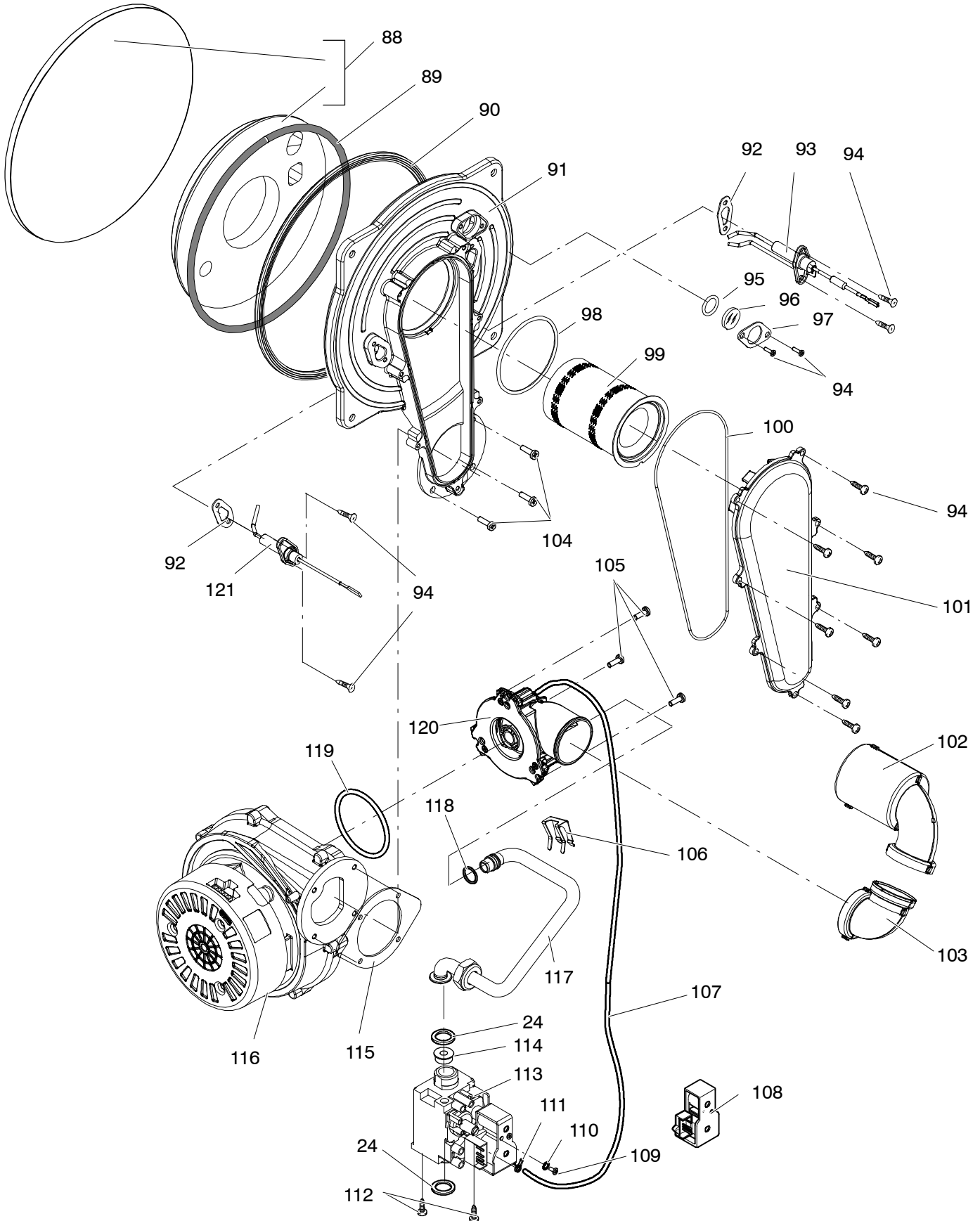


* Includes items 76

Advance Plus 25C ERP
 Advance Plus 30C ERP
 Advance Plus 35C ERP
 Advance Plus 16S ERP
 Advance Plus 25S ERP
 Advance Plus 30S ERP

47-583-35
 47-583-36
 47-583-37
 41-583-27
 41-583-28
 41-583-29

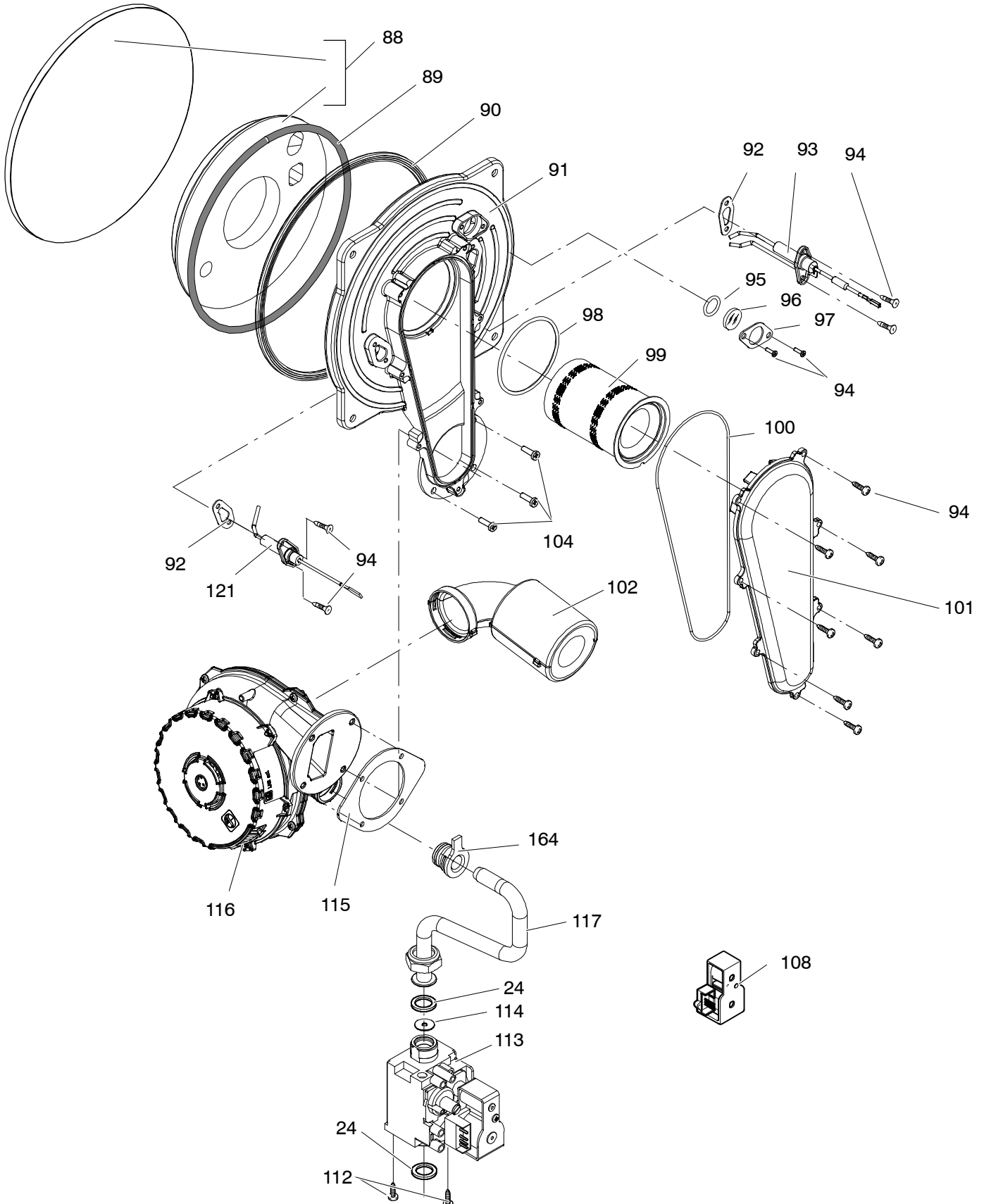
Gas assembly up to serial no 030890518



Advance Plus 25C ERP
Advance Plus 30C ERP
Advance Plus 35C ERP
Advance Plus 25S ERP
Advance Plus 30S ERP

47-583-35
47-583-36
47-583-37
41-583-28
41-583-29

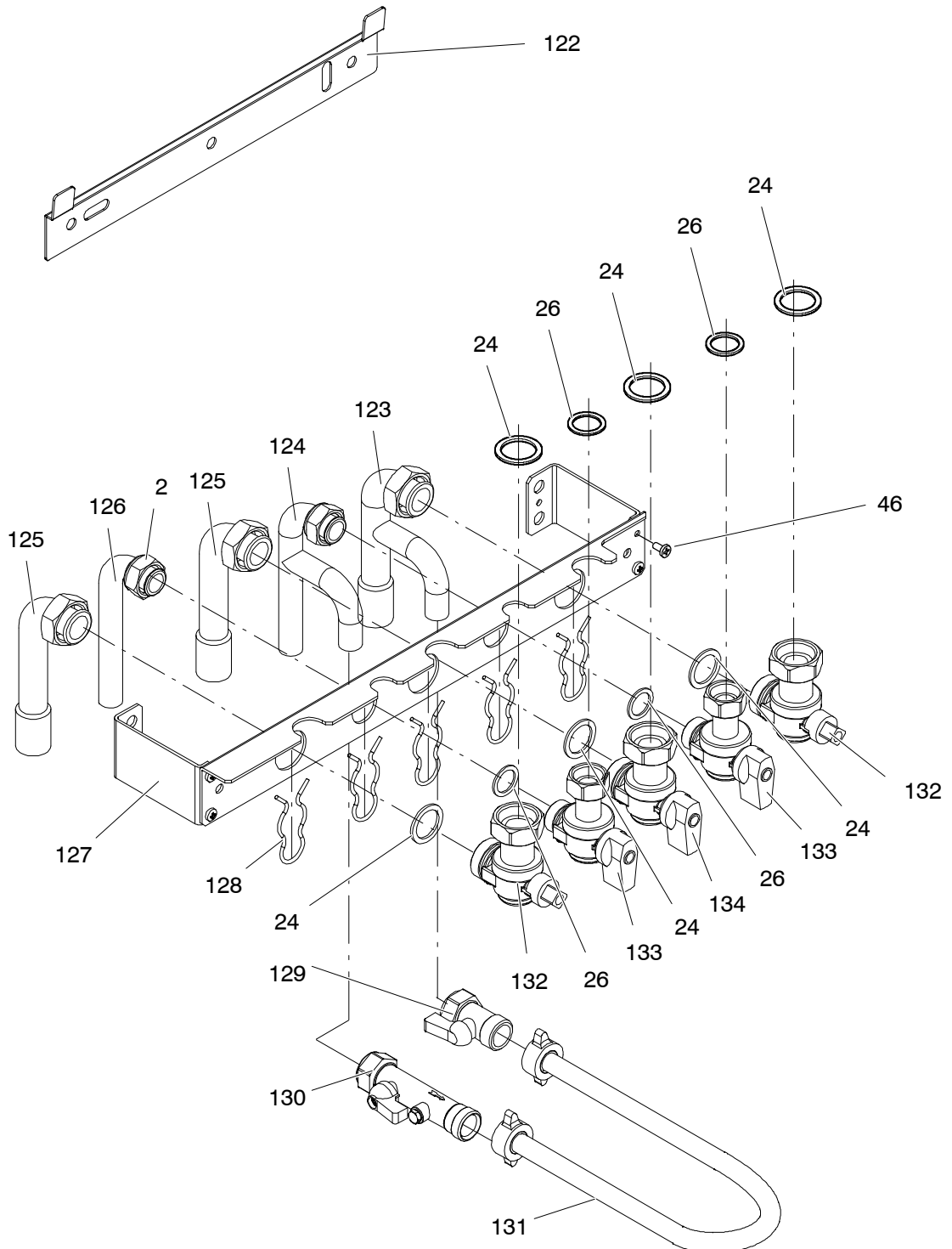
Gas assembly from serial no 030900518



Advance Plus 25C ERP
Advance Plus 30C ERP
Advance Plus 35C ERP

47-583-35
47-583-36
47-583-37

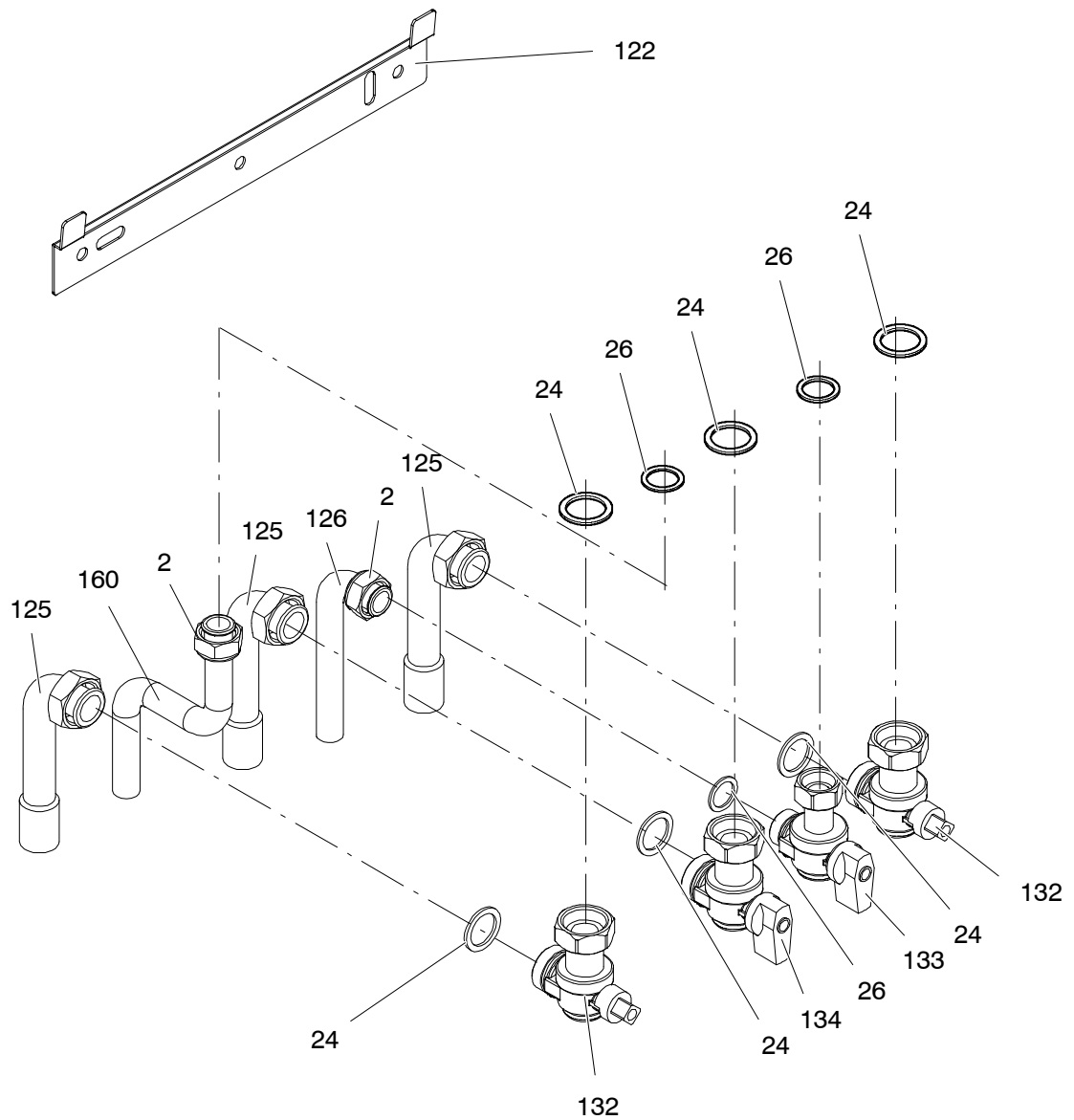
Valves and connection pipes up to serial no 047200118



Advance Plus 25C ERP
Advance Plus 30C ERP
Advance Plus 35C ERP

47-583-35
47-583-36
47-583-37

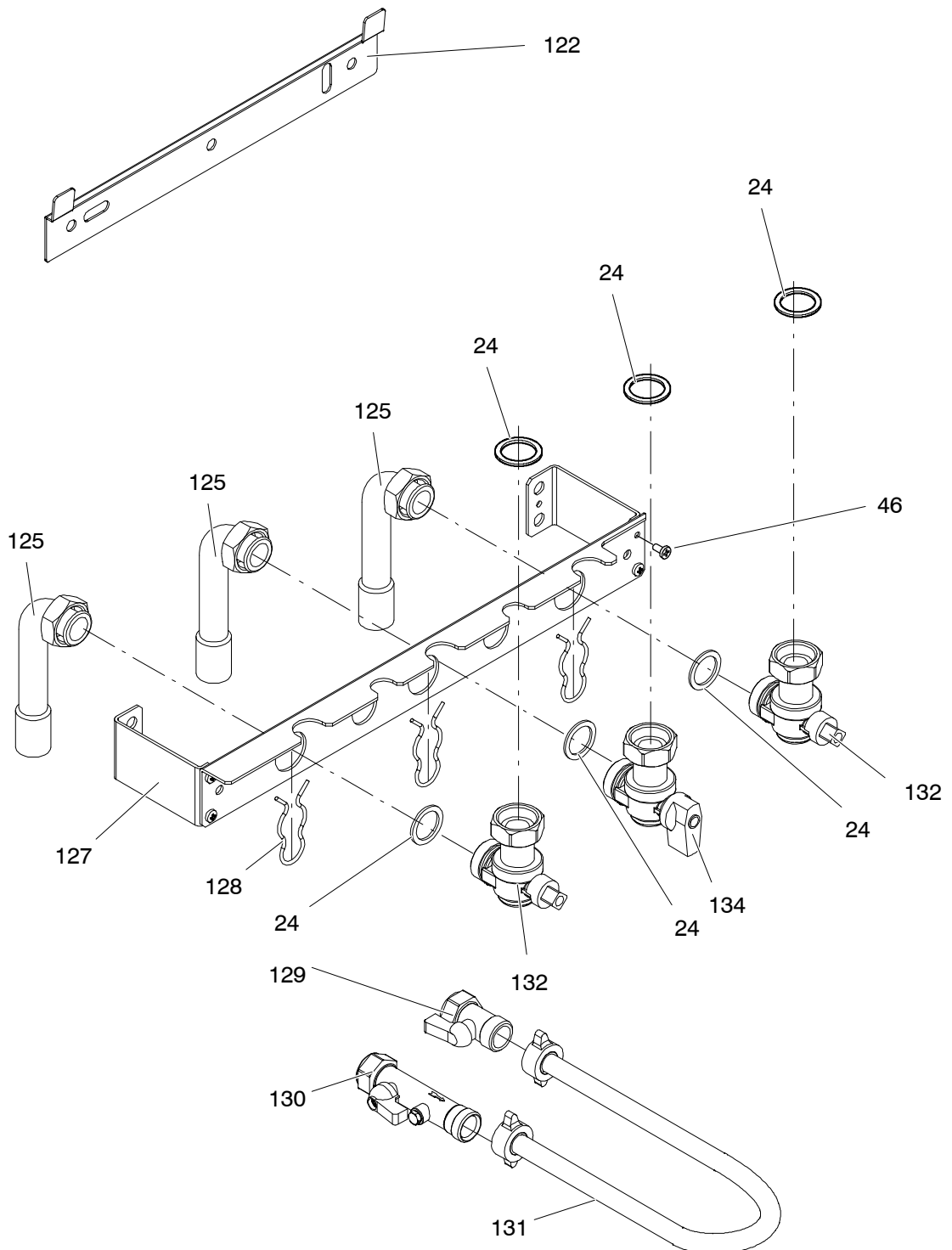
Valves and connection pipes from serial no 047210118



Advance Plus 16S ERP
Advance Plus 25S ERP
Advance Plus 30S ERP

41-583-27
41-583-28
41-583-29

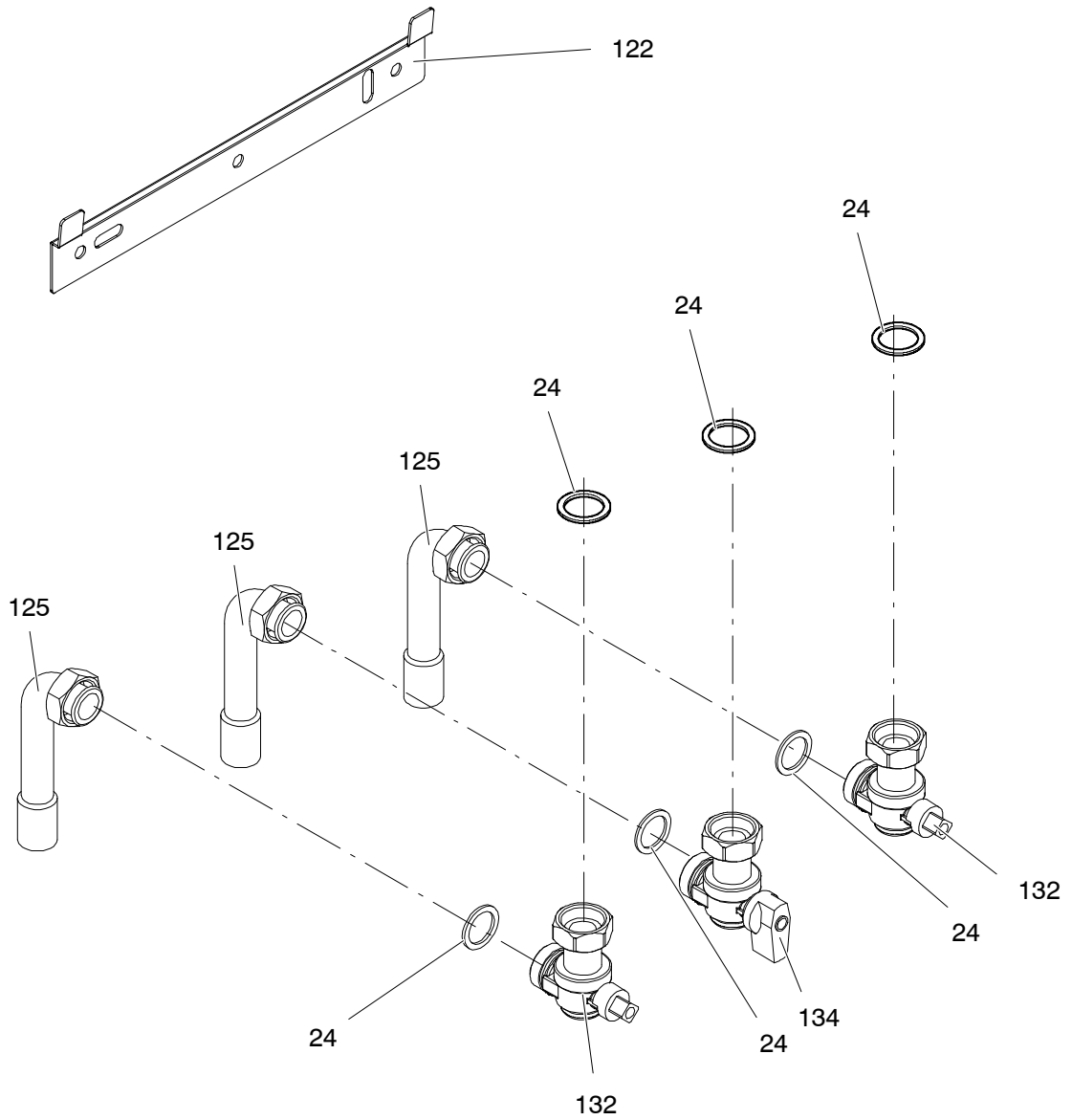
Valves and connection pipes up to serial no 047200118



Advance Plus 16S ERP
Advance Plus 25S ERP
Advance Plus 30S ERP

41-583-27
41-583-28
41-583-29

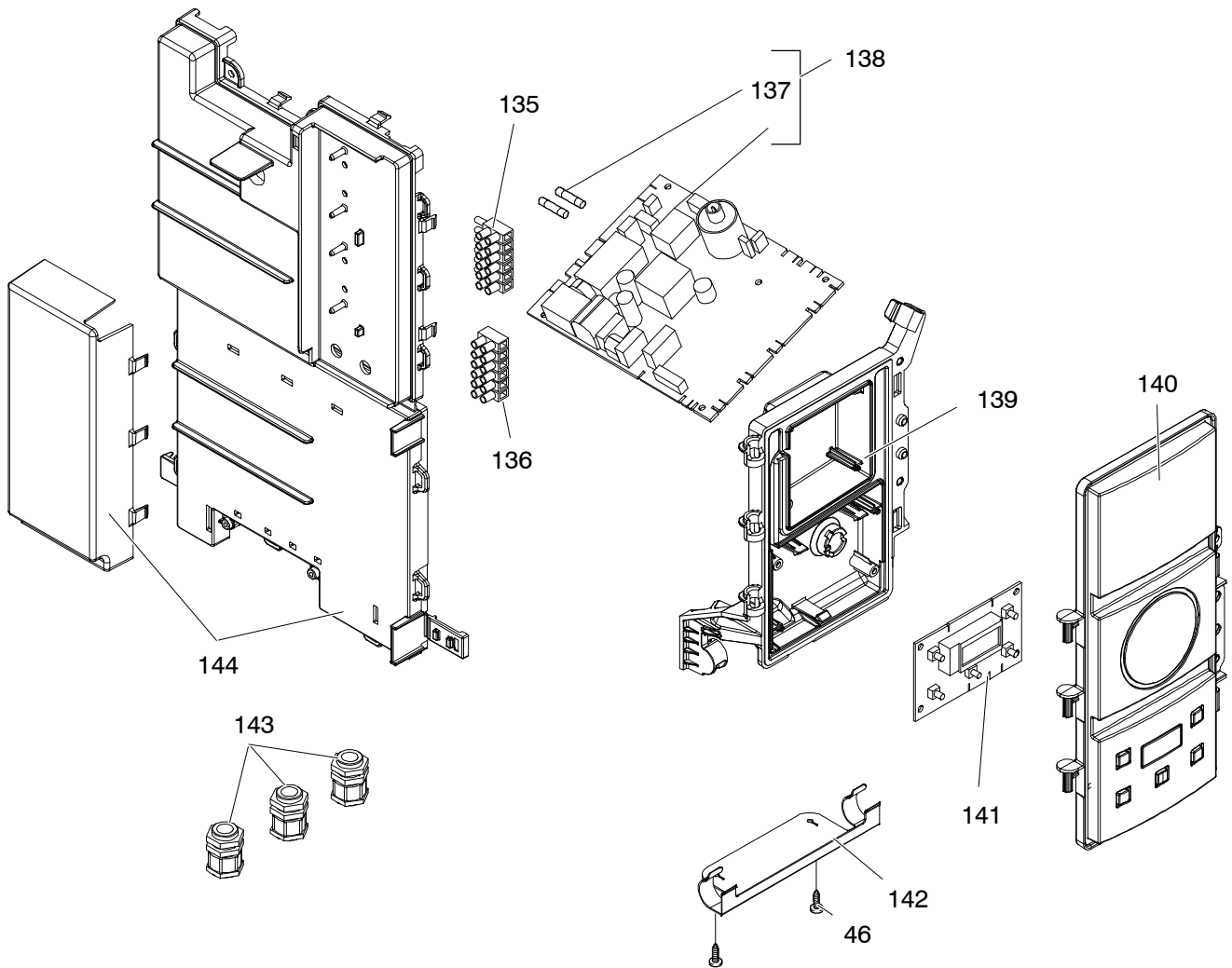
Valves and connection pipes from serial no 047210118



Advance Plus 25C ERP
Advance Plus 30C ERP
Advance Plus 35C ERP
Advance Plus 16S ERP
Advance Plus 25S ERP
Advance Plus 30S ERP

47-583-35
47-583-36
47-583-37
41-583-27
41-583-28
41-583-29

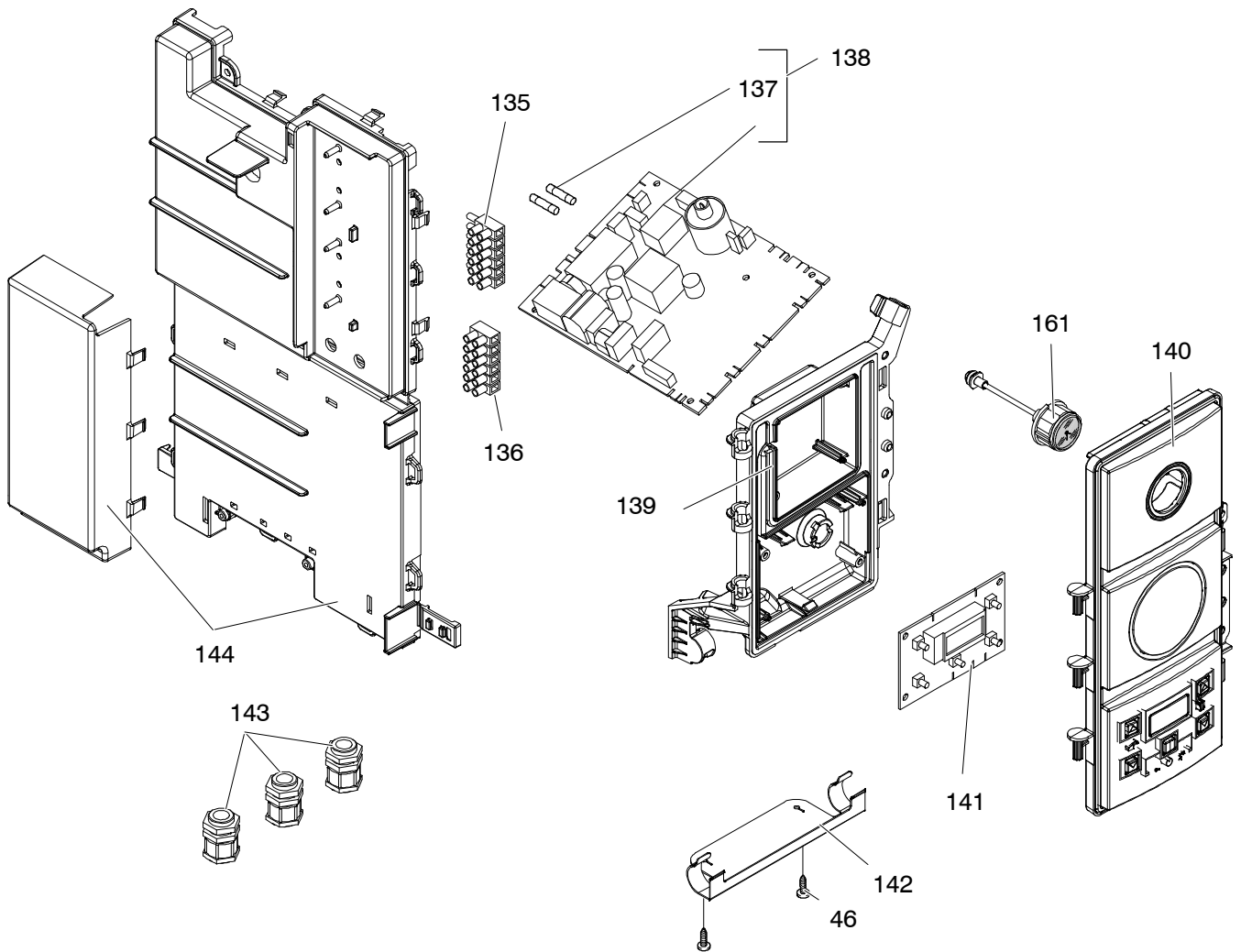
Control panel and ignition device up to serial no 047200118



Advance Plus 25C ERP
Advance Plus 30C ERP
Advance Plus 35C ERP
Advance Plus 16S ERP
Advance Plus 25S ERP
Advance Plus 30S ERP

47-583-35
47-583-36
47-583-37
41-583-27
41-583-28
41-583-29

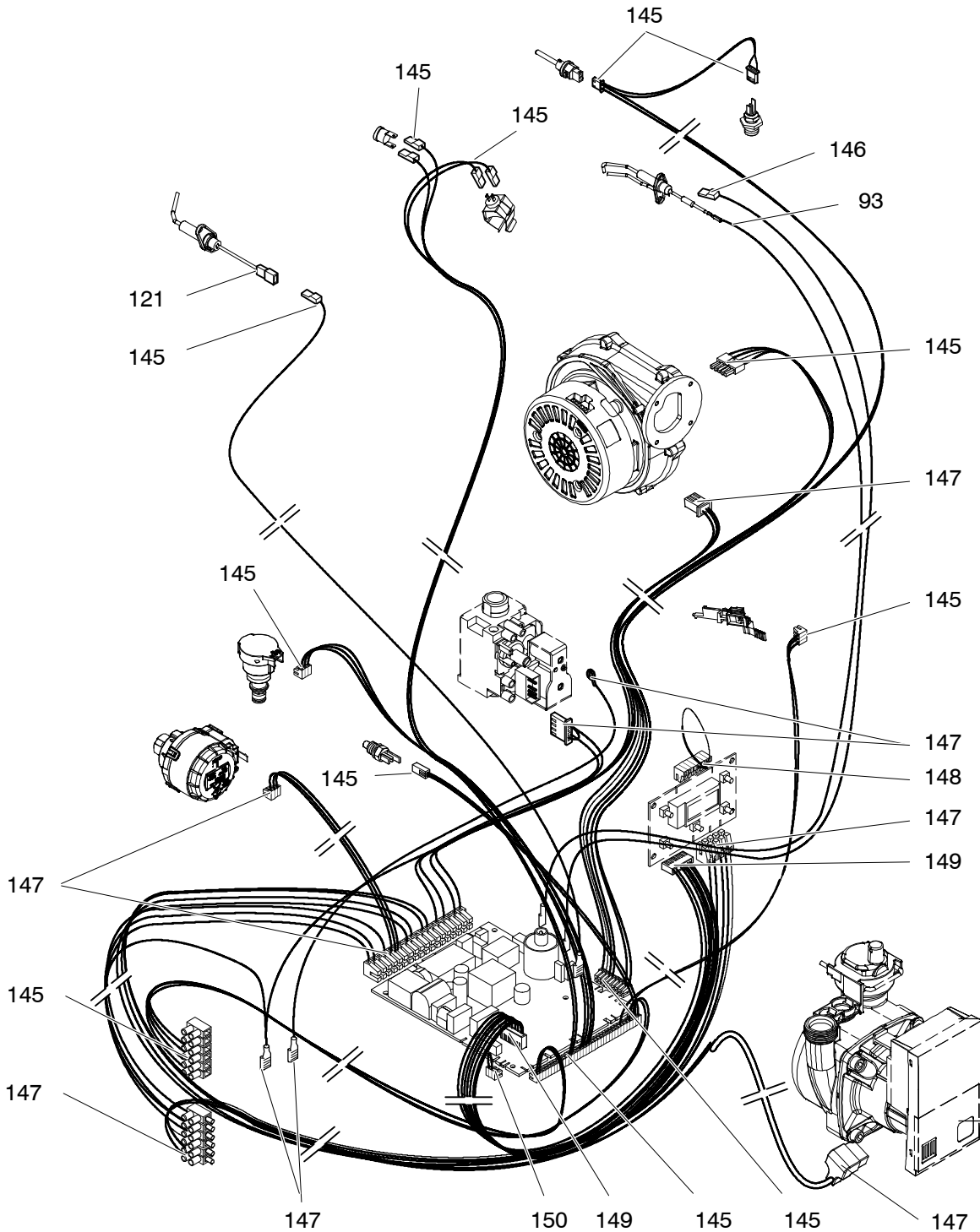
Control panel and ignition device from serial no 047210118



Advance Plus 25C ERP
 Advance Plus 30C ERP
 Advance Plus 35C ERP
 Advance Plus 16S ERP
 Advance Plus 25S ERP
 Advance Plus 30S ERP

47-583-35
 47-583-36
 47-583-37
 41-583-27
 41-583-28
 41-583-29

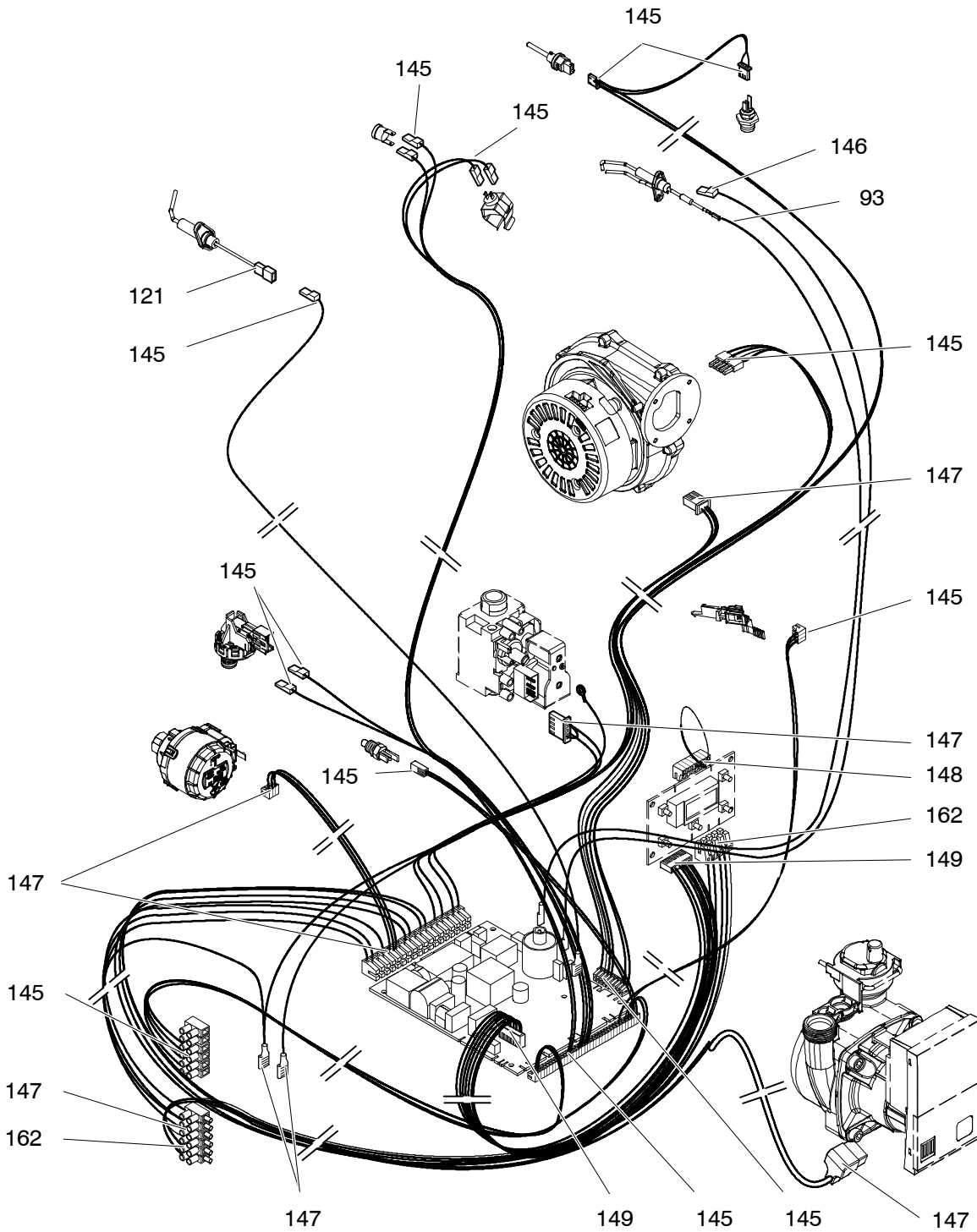
Wiring up to serial no 047200118



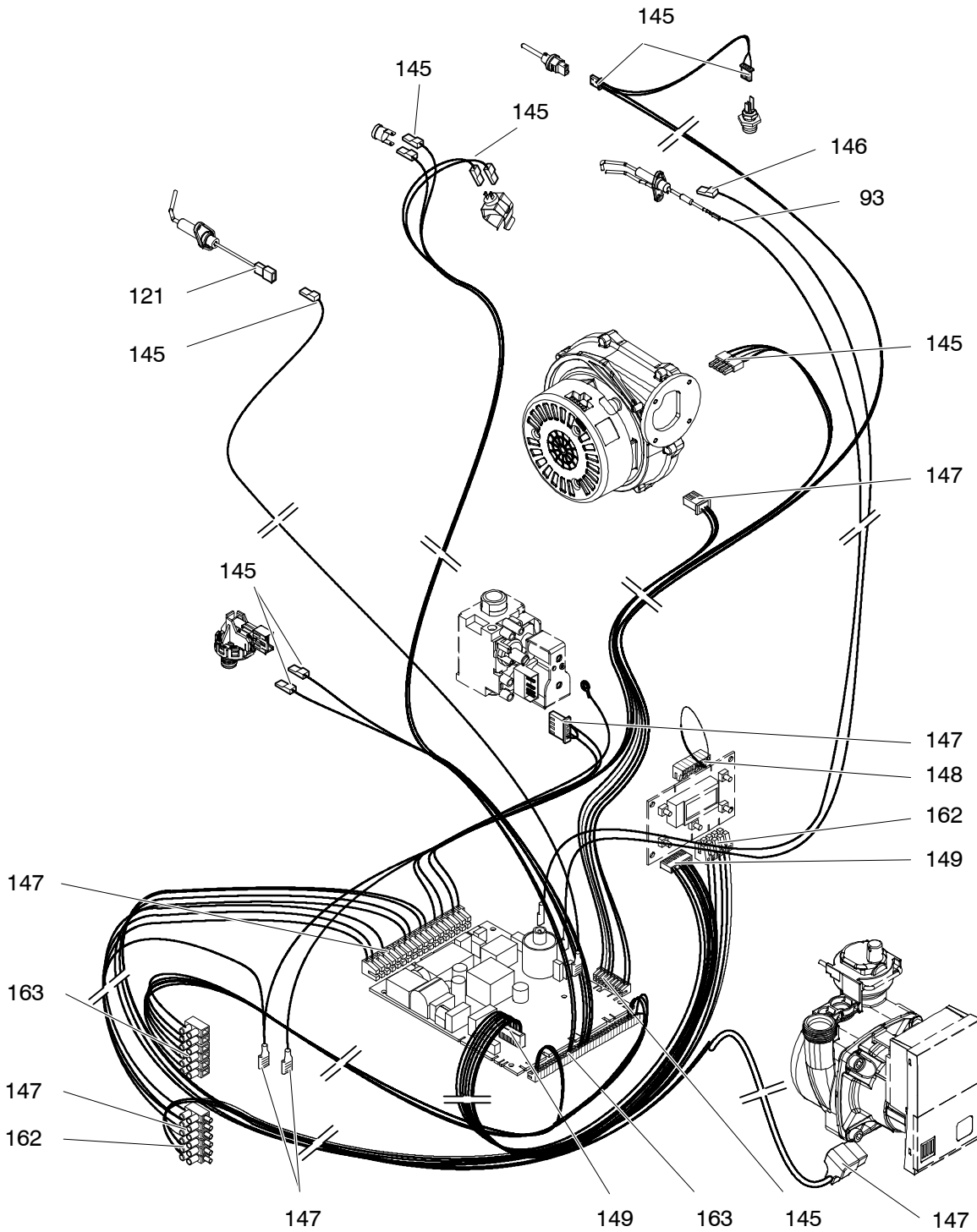
Advance Plus 25C ERP
Advance Plus 30C ERP
Advance Plus 35C ERP

47-583-35
47-583-36
47-583-37

Wiring combi from serial no 047210118



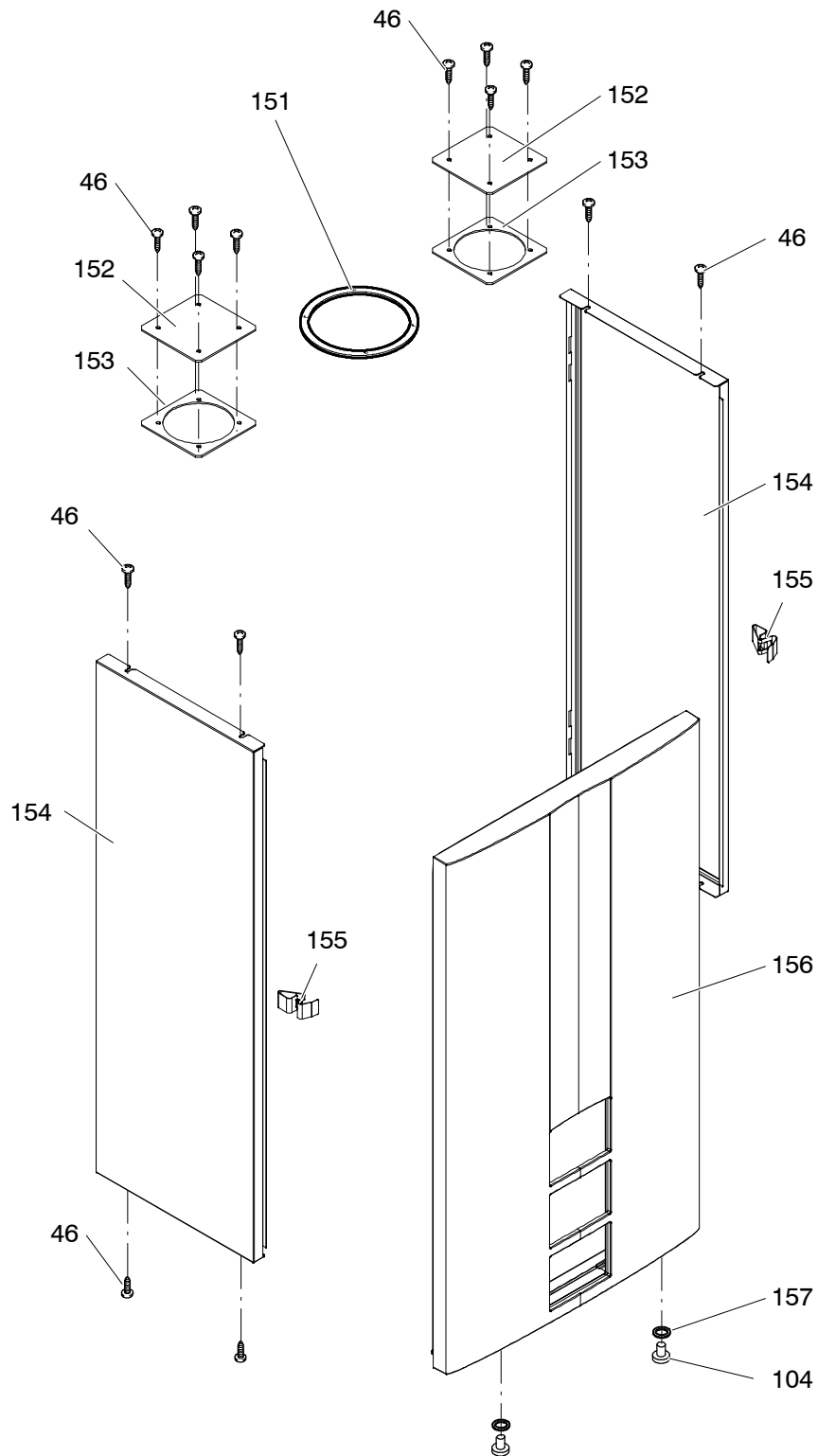
Wiring system from serial no 047210118



Advance Plus 25C ERP
Advance Plus 30C ERP
Advance Plus 35C ERP
Advance Plus 16S ERP
Advance Plus 25S ERP
Advance Plus 30S ERP

47-583-35
47-583-36
47-583-37
41-583-27
41-583-28
41-583-29

Sealed chamber and case panels



DRAFT BRITISH GAS PART LIST

Date _____
 Sheet 1 of 10
 Manufacturer Biasi SpA – Italy
 Appliance(s) Advance Plus 25C ERP, Advance Plus 30C ERP, Advance Plus 35C ERP,
 GC Appliance Number(s) 47–583–35, 47–583–36 , , 47–583–37
 Contract Name _____
 Telephone Number _____

(a)	(b)	(c)	(d)	(e)	(f)	(g)	(h)	(i)	(j)	(k)
Key no.	GC Part Number	Description	No. Off	Makers part number which have a CG number	Maker's old part number which have since been changed	Maker's new part number which DO NOT have a GC number	M B F	Original Supplier	Original Supplier part number	Retail price excl. VAT
		Position of data badge: frame, inner lower side								
		Instructions booklets set up to serial no 047200118	1			BI1913 538	M			
		Instructions booklets set from serial no 047210118	1			BI1913 542	M			
		up to serial no 030890518								
		Instructions booklets set from serial no 030900518	1			BI1913 546	M			
1		Safety valve connection pipe up to serial no 030890518	1			BI1441 100	M			
		Safety valve connection pipe from serial no 030900518	1			BI1441 117	M			
2	E01–226	Nut 1/2"	1	BI1004 101			M			
3	H20–987	Pump connection fork	7	BI1262 116			M			
4		Grommet	2			BI1301 109	M			
5		Magnetic flow switch and filter kit	1			BI1441 501	M			
6		Safety valve 3 bar up to serial no 030890518	1			BI1441 101	B		3 bar	
		Safety valve 3 bar from serial no 030900518	1			BI1441 116	B		3 bar	
7		O–ring gasket 2,62x15,88	1			KI1042 110	M			
8	H74–542	Fork P26	1	BI1351 115			M			
9	H50–398	Drainage valve	1	BI1181 501			M			
10	H50–484	O–ring gasket 1,78x7,66	2	BI1182 108			M			
11	H74–529	O–ring gasket 2,62x15,54	2	BI1351 102			M			
12	H50–473	Fork P.10,5	4	BI1181 107			M			
13	169–050	O–ring gasket 1,78x2,9	1	KI1043 145			M			
14	H50–488	O–ring gasket 1,78x3,69	1	BI1181 120			M			
15	169–014	O–ring gasket 1,78x6,07	1	KI1002 119			M			
16		Fork d. 12	1			BI1441 107	M			
17	169–102	O–ring gasket 1,9x5,7	1	KI1042 102			M			
18	H74–531	Fork P21,6	2	BI1351 104			M			

CONTINUATION SHEET

Sheet 2 of 10

Appliance number(s) 47-583-35, 47-583-36, 47-583-37

(a)	(b)	(c)	(d)	(e)	(f)	(g)	(h)	(i)	(j)	(k)
Key no.	GC Part Number	Description	No. Off	Makers part number which have a CG number	Maker's old part number which have since been changed	Maker's new part number which DO NOT have a GC number	M B F	Original Supplier	Original Supplier part number	Retail price excl. VAT
19	H20-970	O-ring gasket 2,62x17,86	2	BI1262 112			M			
20		Pump connection	1			BI1441 102	M			
21		D.h.w. flow switch	1			BI1441 104				
22	402-941	Screw M5x30 - Hexagon socket cap	1	KI1217 115			M			
23	H74-541	Threaded connection c.h.	1	BI1351 114			M			
24	169-033	Flat gasket 3/4"	7	BI1001 108			M			
25	H74-535	Tapping screw 5x12	5	BI1351 107			F			
26	169-141	Gasket 1/2"	3	BI1001 106			M			
27	H74-533	Threaded connection d.h.w.	1	BI1351 106			M			
28		Return group kit	1			BI1441 500	M			
29		Return group	1			BI1441 103	M			
30		O-ring gasket 1,78x15,60	1			BI1441 105	M			
31	E00-680	O-ring gasket 2,62x23,47	1	BI1011 107			M			
32		Flow limiter 10 Litres/min	1			BI1441 106	M			
33	169-060	O-ring gasket 18,64x3,53	4	KI1043 144			M			
34	E01-204	Exchanger DHW - Advance Plus 25C ERP	1	BI1001 101			M			
34 A	E01-205	Exchanger DHW - Advance Plus 30C ERP, Advance Plus 35C ERP	1	BI1001 102			M			
35		Flow group kit d.h.w.	1			BI1421 100	M			
36	169-016	Temperature probe NTC d.h.w.	1	KI1042 501			M			
37	H74-528	Screw M5x35 - Hexagon socket cap	1	BI1351 101			F			
38	H74-530	Flow group kit d.h.w. plug	1	BI1351 103			M			
39		Diverter valve actuator	1			BI1431 100	M			
40	H74-538	Diverter valve actuator fixing spring	1	BI1351 111			M			
41	169-015	Fork P.14	4	KI1042 101			M			

CONTINUATION SHEET

Sheet 3 of 10

Appliance number(s) 47-583-35, 47-583-36, 47-583-37

(a)	(b)	(c)	(d)	(e)	(f)	(g)	(h)	(i)	(j)	(k)
Key no.	GC Part Number	Description	No. Off	Makers part number which have a CG number	Maker's old part number which have since been changed	Maker's new part number which DO NOT have a GC number	M B F	Original Supplier	Original Supplier part number	Retail price excl. VAT
42	H74-539	Fork P11	2	BI1351 112			M			
43	H74-540	O-ring gasket 1,90x8,90	2	BI1351 113			M			
44	E00-680	O-ring gasket 2,62x23,47	2	BI1011 107			M			
45		Diverter valve kit	1			BI1491 101	M			
46	409-722	Tapping Screw ISO No8 B 4,2x9,5 Recessed Pan Head	34	BI1013 110			F			
		Hardened Steel BS4174 Bright Zinc plate BS1706 Clear								
		Passivated								
47		Water groups assembling plate	1			BI1501 102	M			
48	H20-981	O-ring gasket 2X17	2	BI1262 114			M			
49		Flow group kit c.h.	1			BI1501 100	M			
50	H74-544	By-pass kit	1	BI1351 117			M			
51		Primary circuit pressure switch up to serial no 047200118	1			BI1431 101	M			
	H74-545	Primary circuit pressure switch from serial no 047210118	1	BI1351 118			M			
52	E23-759	Safety valve connection	1	BI1001 127			M			
53	H03-727	Flat gasket 3/8" O.D 15 mm, i.d. 8.5 mm	2	BI1202 105			M			
54	H20-945	O-ring gasket 17,04x4,00	1	BI1212 112			M			
61	H74-575	Flue outlet gasket	1	BI1536 101			M			
62		Flue outlet adapter	1			BI1552 101	M			
64	H58-658	Flue outlet lip gasket	1	BI1432 104			M			
65	H58-659	Condensing heat exchanger - Advance Plus 25C ERP	1	BI1432 100			M			
65 A	H58-660	Condensing heat exchanger - Advance Plus 30C ERP,	1	BI1432 101			M			
		Advance Plus 35C ERP								
66	H58-661	Flue temperature probe NTC up to serial no 030890518	1	BI1432 102			M			
		Flue temperature probe NTC from serial no 030900518	1			BI1782 103	M			
67	H50-475	O-ring gasket 1,78x10,82	3	BI1181 110			M			

CONTINUATION SHEET

Sheet 4 of 10

Appliance number(s) 47-583-35, 47-583-36, 47-583-37

(a)	(b)	(c)	(d)	(e)	(f)	(g)	(h)	(i)	(j)	(k)
Key no.	GC Part Number	Description	No. Off	Makers part number which have a CG number	Maker's old part number which have since been changed	Maker's new part number which DO NOT have a GC number	M B F	Original Supplier	Original Supplier part number	Retail price excl. VAT
68		Expansion vessel	1			BI1462 100	B	Zilmet - Italy	13S0000706	
69		Lock-nut	1			BI1462 106	M			
70		Expansion vessel connection pipe	1			BI1562 107	M			
71	H20-996	O-ring gasket 2,62X9,92	1	BI1262 113			M			
72	H20-972	Connection spring up to serial no 030890518	1	BI1262 117			F			
		Connection spring from serial no 030900518	1			BI1462 107	F			
73	H74-550	Condensate trap up to serial no 030890518	1	BI1442 104			M			
		Condensate trap from serial no 030900518	1			BI1782 107	M			
74	H33-754	Condensate connection hose	1	BI1262 128			M			
75	169-104	Grommet	4	BI1002 113			M			
76	H20-990	Fork	1	BI1262 120			M			
77		Pump	1			BI1672 100	M	Wilo	YONOS PARA	
78		Pump (motor)	1			BI1672 101	B			
79	E83-114	Pump gasket	1	BI1172 113			M			
80	H20-986	Automatic air purger valve	1	BI1212 107			M			
81		Condensing heat exchanger inlet pipe	1			BI1672 102	M			
82	H58-664	Condensing heat exchanger connection clip	2	BI1432 106						
83		Condensate discharge pipe up to serial no 030890518	1			BI1552 102	M			
		Condensate discharge pipe from serial no 030900518	1			BI1782 111	M			
84	E23-759	Screw 2,9x6,5 Recessed Pan Head Hardened Steel	2	BI1002 127			F			
		BS4174 Bright Zinc plate BS1706 Clear Passivated								
85		Condensing heat exchanger outlet pipe	1			BI1672 103	M			
86	H74-553	Spring mounting temperature probe	1	BI1442 106			M			
87	E83-101	Overheat thermostat	1	BI1172 105			B	Elth	261 105°C	
88	H58-674	Combustion chamber insulating panels	1	BI1293 106			M			

CONTINUATION SHEET

Sheet 5 of 10

Appliance number(s) 47-583-35, 47-583-36, 47-583-37

(a)	(b)	(c)	(d)	(e)	(f)	(g)	(h)	(i)	(j)	(k)
Key no.	GC Part Number	Description	No. Off	Makers part number which have a CG number	Maker's old part number which have since been changed	Maker's new part number which DO NOT have a GC number	M B F	Original Supplier	Original Supplier part number	Retail price excl. VAT
89	H58-676	Combustion chamber gasket	1	BI1293 107			B			
90	H58-677	Combustion chamber lip gasket	1	BI1293 108			M			
91		Flange burner goup	1			BI1293 119				
92	H58-678	Electrode gasket	2	BI1293 109			M			
93		Ignition electrode	1			BI1363 103	M			
94	H58-681	Screw M4x10 recessed pan head BZP clear passivated	13	BI1293 110			F			
95	H58-683	O-ring gasket 2,62x15,88	1	BI1293 111			M			
96	H58-684	Window (glass)	1	BI1293 112			M			
97	H58-685	Window frame	1	BI1293 113			M			
98	H58-687	Air-gas gasket	1	BI1293 114			M			
99	H58-688	Burner – Advance Plus 25C ERP up to serial no 030890518	1	BI1293 100			B	Worgas		
		Burner – Advance Plus 25C ERP from serial no 030900518	1			BI1573 100	B	Polidoro		
99 A	H58-689	Burner – Advance Plus 30C ERP, Advance Plus 35C ERP up to serial no 030890518	1	BI1293 101			B	Worgas		
		Burner – Advance Plus 30C ERP, Advance Plus 35C ERP from serial no 030900518	1			BI1573 101	B	Polidoro		
100	H58-690	Air-gas gasket	1	BI1293 115			M			
101		Cover flange burner group	1			BI1293 120				
102		Air manifold	1			BI1363 100	M			
103		Air elbow	1			BI1363 101	M			
104		Screw M5x14 – BZP RPH	4			BI1512 110	F			
105	402-126	Screw M4x12 – BZP RPH	3	KI1093 119			F			
106	H58-691	Gas pipe fixing fork	1	BI1273 102			M			

CONTINUATION SHEET

Sheet 6 of 10

Appliance number(s) 47-583-35, 47-583-36, 47-583-37

(a)	(b)	(c)	(d)	(e)	(f)	(g)	(h)	(i)	(j)	(k)
Key no.	GC Part Number	Description	No. Off	Makers part number which have a CG number	Maker's old part number which have since been changed	Maker's new part number which DO NOT have a GC number	M B F	Original Supplier	Original Supplier part number	Retail price excl. VAT
107	E83-188	Siliconic rubber pipe	1	BI1256 101			M			
108	H08-602	Gas valve on-off operator coils	1	BI1093 107			B	Sit	0.967.158	
109	402-049	Screw M3x8 - BZP RPH	2	BI1462 115			F			
110	405-406	Toothed lock washer ET zinc plated 4,5x8 mm	1	KI1066 209			F			
111	H38-937	Connection spring	2	BI1253 116			F			
112	402-124	Screw M4x8 mm Recessed pan head Mild steel BS4183	2	BI1013 114			F			
		Bringht zinc plate BS3382 Clear passiv.								
113		Gas valve	1			BI1313 103	B	Sit	0.848.135	
114	H38-924	Gas restrictor NG (natural gas) - Advance Plus 25C ERP	1	BI1223 109			M			
		up to serial no 030890518								
		Gas restrictor NG (natural gas) - Advance Plus 25C ERP	1			BI1563 500	M			
		from serial no 030900518								
114 A	H38-926	Gas restrictor NG (natural gas) - Advance Plus 30C	1	BI1253 108			M			
		ERP,Advance Plus 35C ERP up to serial no 030890518								
		Gas restrictor NG (natural gas) - Advance Plus 30C	1			BI1573 500	M			
		ERP,Advance Plus 35C ERP from serial no 030900518								
114 B	H58-697	Gas restrictor Propane - Advance Plus 25C ERP	1	BI1293 500			M			
		up to serial no 030890518								
		Gas restrictor Propane - Advance Plus 25C ERP	1			BI1573 501	M			
		from serial no 030900518								
114 C		Gas restrictor Propane - Advance Plus 30C ERP,	1			BI1363 500	M			
		Advance Plus 35C ERP up to serial no 030890518								
		Gas restrictor Propane - Advance Plus 30C ERP,	1			BI1573 502	M			
		Advance Plus 35C ERP from serial no 030900518								
115		Fan gasket	1			BI1313 111	M			

CONTINUATION SHEET

Sheet 7 of 10

Appliance number(s) 47-583-35, 47-583-36, 47-583-37

(a)	(b)	(c)	(d)	(e)	(f)	(g)	(h)	(i)	(j)	(k)
Key no.	GC Part Number	Description	No. Off	Makers part number which have a CG number	Maker's old part number which have since been changed	Maker's new part number which DO NOT have a GC number	M B F	Original Supplier	Original Supplier part number	Retail price excl. VAT
116		Fan up to serial no 030890518	1			BI1313 102	B	EBM PAPST	NRG118-080	
		Fan Advance Plus 25C ERP from serial no 030900518	1			BI1503 109	B			
116 A		Fan Advance Plus 30C ERP, Advance Plus 35C ERP	1			BI1503 116	B			
		from serial no 030900518								
117		Gas pipe – Advance Plus 25C ERP up to serial no	1			BI1363 109	M			
		030890518								
		Gas pipe – Advance Plus 25C ERP from serial no	1			BI1573 103	M			
		030900518								
117 A		Gas pipe – Advance Plus 30C ERP,	1			BI1363 110	M			
		Advance Plus 35C ERP up to serial no 030890518								
		Gas pipe – Advance Plus 30C ERP,	1			BI1573 104	M			
		Advance Plus 35C ERP from serial no 030900518								
118	H58-703	O-ring gasket 2x13 NBR	1	BI1273 104			M			
119	H38-956	O-ring gasket 3,53x61,91 NBR	1	BI1253 114			M			
120	H58-705	Air-box assembly – Advance Plus 25C ERP	1	BI1273 100			M			
120 A	H58-707	Air-box assembly – Advance Plus 30C ERP, Advance	1	BI1273 101			M			
		Plus 35C ERP								
121	H58-709	Detection electrode up to serial no 030890518	1	BI1293 103			M			
		Detection electrode from serial no 030900518	1			BI1573 102	M			
122	E90-690	Wall mounting plate	1	BI1084 113			M			
123		C.h. connection return pipe	1			BI1164 104	M			
124		Pipe 15 mm dia d.c.w.	1			BI1164 103	M			
125		Pipe 22 mm dia gas and c.h. flow	2			BI1164 102	M			
126		Pipe 15 mm dia (bent) d.h.w.	1			BI1164 101	M			
127		Prefitting plate	1			BI1164 100	M			

CONTINUATION SHEET

Sheet 8 of 10

Appliance number(s) 47-583-35, 47-583-36, 47-583-37

(a) Key no.	(b) GC Part Number	(c) Description	(d) No. Off	(e) Makers part number which have a CG number	(f) Maker's old part number which have since been changed	(g) Maker's new part number which DO NOT have a GC number	(h) M B F	(i) Original Supplier	(j) Original Supplier part number	(k) Retail price excl. VAT
128		Fork	5			BI1044 101	M			
129		Filling loop stop valve	1			BI1164 106	M			
130		Filling loop double check valve	1			BI1164 105	M			
131		Filling loop flexible hoose	1			BI1164 107	M			
132	E83-136	Tap 3/4" - c.h.	2	BI1084 105			B			
133	E83-137	Tap 1/2" - d.h.w.	2	BI1084 101			B			
134	E83-138	Tap 3/4" - gas	1	BI1084 100			B			
135		Remote/External temp. probe terminal block	1			BI1805 107	B	Odoardo Korner	OK-433/6-NY-LP-SPM	
136		Electric supply/room thermostat terminal block	1			BI2035 108	B	Odoardo Korner	OK-433-FV-LP-SPM 06	
137	E23-792	Fuse 2 AF 250VAC 5x20	2	BI1165 112			B			
138		Main electronic control - ignition p.c.b. up to serial no 002461216	1			BI2035 100	M			
		Main electronic control - ignition p.c.b. from serial no 002461216 up to serial no 030890518	1			BI2445 103	M			
		Main electronic control - ignition p.c.b. from serial no 030900518	1			BI2535 100	M			
139		Control panel box	1			BI2035 102	M			
140		Control panel lid up to serial no 047200118	1			BI2195 100	M			
		Control panel lid from serial no 047210118	1			BI2445 108	M			
141		Control panel electronic p.c.b. up to serial no 002461216	1			BI2195 113	M			
		Control panel electronic p.c.b. from serial no 002461216	1			BI2445 104	M			
142		Control panel bracket	1			BI2035 104	M			
143		Cable gland	3			BI2035 106	M			
144		Main electronic p.c.b. box	1			BI2035 107	M			
145		Sensors cable up to serial no 047200118	1			BI2265 107	M			

CONTINUATION SHEET

Sheet 9 of 10

Appliance number(s) 47-583-35, 47-583-36, 47-583-37

(a) Key no.	(b) GC Part Number	(c) Description	(d) No. Off	(e) Makers part number which have a CG number	(f) Maker's old part number which have since been changed	(g) Maker's new part number which DO NOT have a GC number	(h) M B F	(i) Original Supplier	(j) Original Supplier part number	(k) Retail price excl. VAT
		Sensors cable from serial no 047210118	1			BI2515 104	M			
		up to serial no 030890518								
		Sensors cable from serial no 030900518	1			BI2545 100	M			
146		Ignition electrode earth cable	1			BI2265 102	M			
147		Electricity supply and electrical equipment to 230V cable	1			BI2385 112	M			
		up to serial no 047200118								
		Electricity supply and electrical equipment to 230V cable	1			BI2515 105	M			
		from serial no 047210118								
148		Dummy jumper cable	1			BI2045 104	M			
149		Main electronic control p.c.b. – Control panel electronic	1			BI2045 106	M			
		p.c.b. controls wiring								
150		Dummy jumper cable	1			BI2265 112	M			
151	169-110	Flue pipe gasket	1	BI1016 104			M			
152	H40-757	Twin flue cover plate	2	BI1366 114			M			
153	E01-184	Gasket – Air intake twin kit	2	BI1016 101			M			
154		Side case panel	2			BI1556 100	M			
155		Front case panel clip	2			BI1556 103	M			
156		Front case panel	1			BI1556 101	M			
157	405-274	Washer zinc plated 5,5x15 mm	2	BI1556 102			F			
158	E83-144	O-ring gasket 1,78 x 6,75	1	BI1475 119			M			
159		Pressure gauge connection	1			BI1441 137	M			
160		Pipe 15 mm dia (bent) d.h.w.	1			BI1164 111	M			
161		Pressure gauge	1			BI2445 107	M			
162		Electricity equipment to 230V cable	1			BI2515 103	M			

CONTINUATION SHEET

Sheet 10 of 10

Appliance number(s) 47-583-35, 47-583-36, 47-583-37

(a) Key no.	(b) GC Part Number	(c) Description	(d) No. Off	(e) Makers part number which have a CG number	(f) Maker's old part number which have since been changed	(g) Maker's new part number which DO NOT have a GC number	(h) M B F	(i) Original Supplier	(j) Original Supplier part number	(k) Retail price excl. VAT
164		NBR gas joint	1			BI1563 108	M			

DRAFT BRITISH GAS PART LIST

Date _____
 Sheet 1 of 8
 Manufacturer Biasi SpA – Italy
 Appliance(s) , Advance Plus 16S ERP, Advance Plus 25S ERP, Advance Plus 30S ERP
 GC Appliance Number(s) , 41–583–27, 41–583–28, 41–583–29
 Contract Name _____
 Telephone Number _____

(a)	(b)	(c)	(d)	(e)	(f)	(g)	(h)	(i)	(j)	(k)
Key no.	GC Part Number	Description	No. Off	Makers part number which have a CG number	Maker's old part number which have since been changed	Maker's new part number which DO NOT have a GC number	M B F	Original Supplier	Original Supplier part number	Retail price excl. VAT
		Position of data badge: frame, inner lower side								
		Instructions booklets set up to serial no 047200118	1			BI1913 539	M			
		Instructions booklets set from serial no 047210118	1			BI1913 543	M			
		up to serial no 030890518								
		Instructions booklets set from serial no 030900518	1			BI1913 547	M			
1		Safety valve connection pipe	1			BI1371 101	M			
3	H20–987	Pump connection fork	3	BI1262 116			M			
4		Grommet	2			BI1301 109	M			
6	E83–013	Safety valve 3 bar	1	BI1131 100			B	Watts Intermes	3 bar	
8	H74–542	Fork P26	1	BI1351 115			M			
9	E00–669	Drainage valve	1	BI1011 104			B	Watts Intermes – Caldaro Italy	RSR8 1/4"	
11	H74–529	O–ring gasket 2,62x15,54	1	BI1351 102			M			
18	H74–531	Fork P21,6	2	BI1351 104			M			
19	H20–970	O–ring gasket 2,62x17,86	2	BI1262 112			M			
23	H74–541	Threaded connection c.h.	1	BI1351 114			M			
24	169–033	Flat gasket 3/4"	7	BI1001 108			M			
25	H74–535	Tapping screw 5x12	3	BI1351 107			F			
29		Return group	1			BI1371 102	M			
30		O–ring gasket 1,78x15,60	1			BI1441 105	M			
38	H74–530	Flow group kit d.h.w. plug	1	BI1351 103			M			
41	169–015	Fork P.14	1	KI1042 101			M			
42	H74–539	Fork P11	1	BI1351 112			M			
43	H74–540	O–ring gasket 1,90x8,90	1	BI1351 113			M			
44	E00–680	O–ring gasket 2,62x23,47	1	BI1011 107			M			

CONTINUATION SHEET

Sheet 2 of 8

Appliance number(s) 41-583-27, 41-583-28, 41-583-29

(a)	(b)	(c)	(d)	(e)	(f)	(g)	(h)	(i)	(j)	(k)
Key no.	GC Part Number	Description	No. Off	Makers part number which have a CG number	Maker's old part number which have since been changed	Maker's new part number which DO NOT have a GC number	M B F	Original Supplier	Original Supplier part number	Retail price excl. VAT
46	409-722	Tapping Screw ISO No8 B 4,2x9,5 Recessed Pan Head	34	BI1013 110			F			
		Hardened Steel BS4174 Bright Zinc plate BS1706 Clear								
		Passivated								
47		Water groups assembling plate	1			BI1491 108	M			
48	H20-981	O-ring gasket 2X17	2	BI1262 114			M			
49		Flow group kit c.h.	1			BI1491 100	M			
50	H74-544	By-pass kit	1	BI1351 117			M			
51		Primary circuit pressure switch up to serial no 047200118	1			BI1431 101	M			
	H74-545	Primary circuit pressure switch from serial no 047210118	1	BI1351 118			M			
52	E23-759	Safety valve connection	1	BI1001 127			M			
53	H03-727	Flat gasket 3/8" O.D 15 mm, i.d. 8.5 mm	2	BI1202 105			M			
54	H20-945	O-ring gasket 17,04x4,00	1	BI1212 112			M			
55		Drainage pipe	1			BI1371 106	M			
56		Flow group kit plug	1			BI1371 105	M			
57	E23-757	Toothed lock washer external 6,4 mm	1	BI1001 124			F			
58	E00-670	Screw M6x8 - BZP RPH	1	BI1001 123			F			
59		O-ring gasket 2,62x11,91	1			BI1301 112	M			
60		By-pass pipe	1			BI1371 103	M			
61	H74-575	Flue outlet gasket	1	BI1536 101			M			
62		Flue outlet adapter	1			BI1552 101	M			
64	H58-658	Flue outlet lip gasket	1	BI1432 104			M			
65	H58-659	Condensing heat exchanger - Advance Plus 16S ERP,	1	BI1432 100			M			
		Advance Plus 25S ERP								
65 A	H58-660	Condensing heat exchanger - Advance Plus 30S ERP	1	BI1432 101			M			
66	H58-661	Flue temperature probe NTC up to serial no 030890518	1	BI1432 102			M			

CONTINUATION SHEET

Sheet 3 of 8

Appliance number(s) 41-583-27, 41-583-28, 41-583-29

(a)	(b)	(c)	(d)	(e)	(f)	(g)	(h)	(i)	(j)	(k)
Key no.	GC Part Number	Description	No. Off	Makers part number which have a CG number	Maker's old part number which have since been changed	Maker's new part number which DO NOT have a GC number	M B F	Original Supplier	Original Supplier part number	Retail price excl. VAT
		Flue temperature probe NTC from serial no 030900518	1			BI1782 103	M			
67	H50-475	O-ring gasket 1,78x10,82	1	BI1181 110			M			
68		Expansion vessel	1			BI1462 100	B	Zilmet - Italy	13S0000706	
69		Lock-nut	1			BI1462 106	M			
70		Expansion vessel connection pipe	1			BI1562 107	M			
71	H20-996	O-ring gasket 2,62X9,92	1	BI1262 113			M			
72	H20-972	Connection spring up to serial no 030890518	1	BI1262 117			F			
		Connection spring from serial no 030900518	1			BI1462 107	F			
73	H74-550	Condensate trap up to serial no 030890518	1	BI1442 104			M			
		Condensate trap from serial no 030900518	1			BI1782 107	M			
74	H33-754	Condensate connection hose	1	BI1262 128			M			
75	169-104	Grommet	4	BI1002 113			M			
76	H20-990	Fork	1	BI1262 120			M			
77		Pump up to serial no 047200118	1			BI1672 100	M	Wilo	YONOS PARA	
		Pump from serial no 047210118	1			BI1682 100	M	Wilo	YONOS PARA	
78		Pump (motor)	1			BI1672 101	B			
79	E83-114	Pump gasket	1	BI1172 113			M			
80	H20-986	Automatic air purger valve	1	BI1212 107			M			
81		Condensing heat exchanger inlet pipe	1			BI1672 102	M			
82	H58-664	Condensing heat exchanger connection clip	2	BI1432 106						
83		Condensate discharge pipe up to serial no 030890518	1			BI1552 102	M			
		Condensate discharge pipe from serial no 030900518	1			BI1782 111	M			
84	E23-759	Screw 2,9x6,5 Recessed Pan Head Hardened Steel	2	BI1002 127			F			
		BS4174 Bright Zinc plate BS1706 Clear Passivated								
85		Condensing heat exchanger outlet pipe	1			BI1672 103	M			

CONTINUATION SHEET

Sheet 4 of 8

Appliance number(s) 41-583-27, 41-583-28, 41-583-29

(a)	(b)	(c)	(d)	(e)	(f)	(g)	(h)	(i)	(j)	(k)
Key no.	GC Part Number	Description	No. Off	Makers part number which have a CG number	Maker's old part number which have since been changed	Maker's new part number which DO NOT have a GC number	M B F	Original Supplier	Original Supplier part number	Retail price excl. VAT
86	H74-553	Spring mounting temperature probe	1	BI1442 106			M			
87	E83-101	Overheat thermostat	1	BI1172 105			B	Elth	261 105°C	
88	H58-674	Combustion chamber insulating panels	1	BI1293 106			M			
89	H58-676	Combustion chamber gasket	1	BI1293 107			B			
90	H58-677	Combustion chamber lip gasket	1	BI1293 108			M			
91		Flange burner goup	1			BI1293 119				
92	H58-678	Electrode gasket	2	BI1293 109			M			
93		Ignition electrode	1			BI1363 103	M			
94	H58-681	Screw M4x10 recessed pan head BZP clear passivated	13	BI1293 110			F			
95	H58-683	O-ring gasket 2,62x15,88	1	BI1293 111			M			
96	H58-684	Window (glass)	1	BI1293 112			M			
97	H58-685	Window frame	1	BI1293 113			M			
98	H58-687	Air-gas gasket	1	BI1293 114			M			
99	H58-688	Burner - Advance Plus 16S ERP, Advance Plus 25S ERP up to serial no 030890518	1	BI1293 100			B	Worgas		
		Burner - Advance Plus 25S ERP from serial no 030900518	1			BI1573 100	B	Polidoro		
99 A	H58-689	Burner - Advance Plus 30S ERP up to serial no 030890518	1	BI1293 101			B	Worgas		
		Burner - Advance Plus 30S ERP from serial no 030900518	1			BI1573 101	B	Polidoro		
100	H58-690	Air-gas gasket	1	BI1293 115			M			
101		Cover flange burner group	1			BI1293 120				
102		Air manifold	1			BI1363 100	M			
103		Air elbow	1			BI1363 101	M			

CONTINUATION SHEET

Sheet 5 of 8

Appliance number(s) 41-583-27, 41-583-28, 41-583-29

(a)	(b)	(c)	(d)	(e)	(f)	(g)	(h)	(i)	(j)	(k)
Key no.	GC Part Number	Description	No. Off	Makers part number which have a CG number	Maker's old part number which have since been changed	Maker's new part number which DO NOT have a GC number	M B F	Original Supplier	Original Supplier part number	Retail price excl. VAT
104		Screw M5x14 – BZP RPH	4			BI1512 110	F			
105	402-126	Screw M4x12 – BZP RPH	3	KI1093 119			F			
106	H58-691	Gas pipe fixing fork	1	BI1273 102			M			
107	E83-188	Siliconic rubber pipe	1	BI1256 101			M			
108	H08-602	Gas valve on-off operator coils	1	BI1093 107			B	Sit	0.967.158	
109	402-049	Screw M3x8 – BZP RPH	2	BI1462 115			F			
110	405-406	Toothed lock washer ET zinc plated 4,5x8 mm	1	KI1066 209			F			
111	H38-937	Connection spring	2	BI1253 116			F			
112	402-124	Screw M4x8 mm Recessed pan head Mild steel BS4183	2	BI1013 114			F			
		Bringht zinc plate BS3382 Clear passiv.								
113		Gas valve	1			BI1313 103	B	Sit	0.848.135	
114	H38-924	Gas restrictor NG (natural gas) – Advance Plus 16S ERP,	1	BI1223 109			M			
		Advance Plus 25S ERP up to serial no 030890518								
		Gas restrictor NG (natural gas) – Advance Plus 25S ERP	1			BI1563 500	M			
		from serial no 030900518								
114 A	H38-926	Gas restrictor NG (natural gas) – Advance Plus 30S ERP	1	BI1253 108			M			
		up to serial no 030890518								
		Gas restrictor NG (natural gas) – Advance Plus 30S ERP	1			BI1573 500	M			
		from serial no 030900518								
114 B	H58-697	Gas restrictor Propane – Advance Plus 16S ERP, Advance	1	BI1293 500			M			
		Plus 25S ERP up to serial no 030890518								
		Gas restrictor Propane – Advance Plus 25S ERP	1			BI1573 501	M			
		from serial no 030900518								
114 C		Gas restrictor Propane – Advance Plus 30S ERP	1			BI1363 500	M			
		up to serial no 030890518								

CONTINUATION SHEET

Sheet 6 of 8

Appliance number(s) 41-583-27, 41-583-28, 41-583-29

(a)	(b)	(c)	(d)	(e)	(f)	(g)	(h)	(i)	(j)	(k)
Key no.	GC Part Number	Description	No. Off	Makers part number which have a CG number	Maker's old part number which have since been changed	Maker's new part number which DO NOT have a GC number	M B F	Original Supplier	Original Supplier part number	Retail price excl. VAT
		Gas restrictor Propane – Advance Plus 30S ERP	1			BI1573 502	M			
		from serial no 030900518								
115		Fan gasket	1			BI1313 111	M			
116		Fan up to serial no 030890518	1			BI1313 102	B	EBM PAPST	NRG118-080	
		Fan Advance Plus 25S ERP from serial no 030900518	1			BI1503 109	B			
116 A		Fan Advance Plus 30S ERP from serial no 030900518	1			BI1503 116	B			
117		Gas pipe – Advance Plus 16S ERP,	1			BI1363 109	M			
		Advance Plus 25S ERP up to serial no 030890518								
		Gas pipe – Advance Plus 25S ERP from serial no	1			BI1573 103	M			
		030900518								
117 A		Gas pipe – Advance Plus 30S ERP up to serial no	1			BI1363 110	M			
		030890518								
		Gas pipe – Advance Plus 30S ERP from serial no	1			BI1573 104	M			
		030900518								
118	H58-703	O-ring gasket 2x13 NBR	1	BI1273 104			M			
119	H38-956	O-ring gasket 3,53x61,91 NBR	1	BI1253 114			M			
120	H58-705	Air-box assembly – Advance Plus 16S ERP,	1	BI1273 100			M			
		Advance Plus 25S ERP								
120 A	H58-707	Air-box assembly – Advance Plus 30S ERP	1	BI1273 101			M			
121	H58-709	Detection electrode up to serial no 030890518	1	BI1293 103			M			
		Detection electrode from serial no 030900518	1			BI1573 102	M			
122	E90-690	Wall mounting plate	1	BI1084 113			M			
125		Pipe 22 mm dia gas and c.h.	3			BI1164 102	M			
127		Prefitting plate	1			BI1164 100	M			
128		Fork	3			BI1044 101	M			

CONTINUATION SHEET

Sheet 7 of 8

Appliance number(s) 41-583-27, 41-583-28, 41-583-29

(a) Key no.	(b) GC Part Number	(c) Description	(d) No. Off	(e) Makers part number which have a CG number	(f) Maker's old part number which have since been changed	(g) Maker's new part number which DO NOT have a GC number	(h) M B F	(i) Original Supplier	(j) Original Supplier part number	(k) Retail price excl. VAT
129		Filling loop stop valve	1			BI1164 106	M			
130		Filling loop double check valve	1			BI1164 105	M			
131		Filling loop flexible hoose	1			BI1164 107	M			
132	E83-136	Tap 3/4" - c.h.	2	BI1084 105			B			
134	E83-138	Tap 3/4" - gas	1	BI1084 100			B			
135		Remote/External temp. probe terminal block	1			BI1805 107	B	Odoardo Korner	OK-433/6-NY-LP-SPM	
136		Electric supply/room thermostat terminal block	1			BI2035 108	B	Odoardo Korner	OK-433-FV-LP-SPM 06	
137	E23-792	Fuse 2 AF 250VAC 5x20	2	BI1165 112			B			
138		Main electronic control - ignition p.c.b. up to serial no 002461216	1			BI2035 100	M			
		Main electronic control - ignition p.c.b. from serial no 002461216 up to serial no 030890518	1			BI2445 103	M			
		Main electronic control - ignition p.c.b. from serial no 030900518	1			BI2535 100	M			
139		Control panel box	1			BI2035 102	M			
140		Control panel lid up to serial no 047200118	1			BI2195 100	M			
		Control panel lid from serial no 047210118	1			BI2445 108	M			
141		Control panel electronic p.c.b. up to serial no 002461216	1			BI2195 113	M			
		Control panel electronic p.c.b. from serial no 002461216	1			BI2445 104	M			
142		Control panel bracket	1			BI2035 104	M			
143		Cable gland	3			BI2035 106	M			
144		Main electronic p.c.b. box	1			BI2035 107	M			
145		Sensors cable up to serial no 047200118	1			BI2395 103	M			
		Sensors cable from serial no 047210118 up to serial no 030890518	1			BI2525 103	M			

CONTINUATION SHEET

Sheet 8 of 8

Appliance number(s) 41-583-27, 41-583-28, 41-583-29

(a) Key no.	(b) GC Part Number	(c) Description	(d) No. Off	(e) Makers part number which have a CG number	(f) Maker's old part number which have since been changed	(g) Maker's new part number which DO NOT have a GC number	(h) M B F	(i) Original Supplier	(j) Original Supplier part number	(k) Retail price excl. VAT
		Sensors cable from serial no 030900518	1			BI2555 100	M			
146		Ignition electrode earth cable	1			BI2265 102	M			
147		Electricity supply and electrical equipment to 230V cable	1			BI2395 102	M			
		up to serial no 047200118								
		Electricity supply and electrical equipment to 230V cable	1			BI2525 104	M			
		from serial no 047210118								
148		Dummy jumper cable	1			BI2045 104	M			
149		Main electronic control p.c.b. – Control panel electronic	1			BI2045 106	M			
		p.c.b. controls wiring								
150		Dummy jumper cable	1			BI2265 112	M			
151	169-110	Flue pipe gasket	1	BI1016 104			M			
152	H40-757	Twin flue cover plate	2	BI1366 114			M			
153	E01-184	Gasket – Air intake twin kit	2	BI1016 101			M			
154		Side case panel	2			BI1556 100	M			
155		Front case panel clip	2			BI1556 103	M			
156		Front case panel	1			BI1556 101	M			
157	405-274	Washer zinc plated 5,5x15 mm	2	BI1556 102			F			
158	E83-144	O-ring gasket 1,78 x 6,75	1	BI1475 119			M			
161		Pressure gauge	1			BI2445 107	M			
162		Electricity equipment to 230V cable	1			BI2515 103	M			
163		Sensors cable	1			BI2525 105	M			
164		NBR gas joint	1			BI1563 108	M			