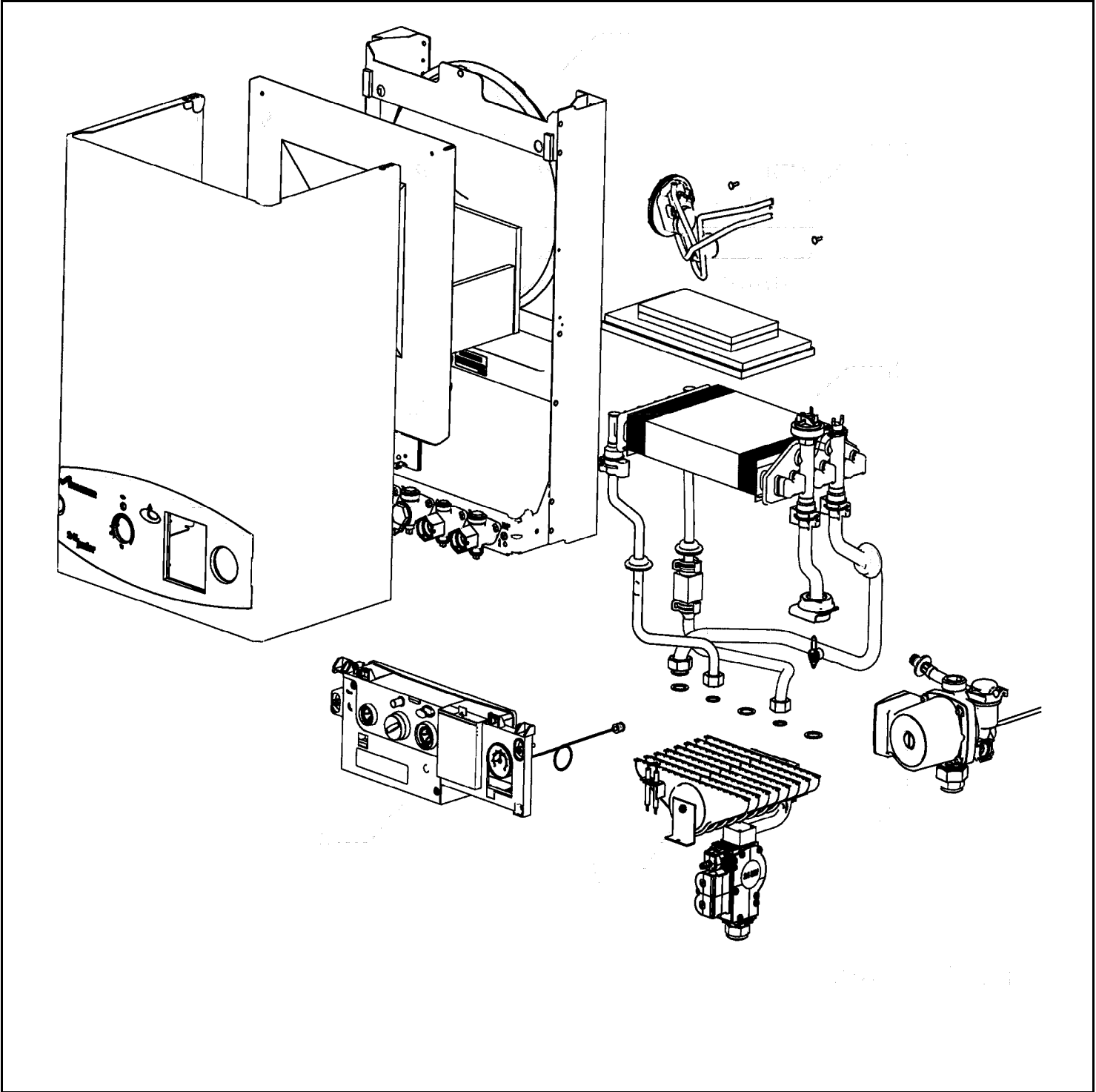
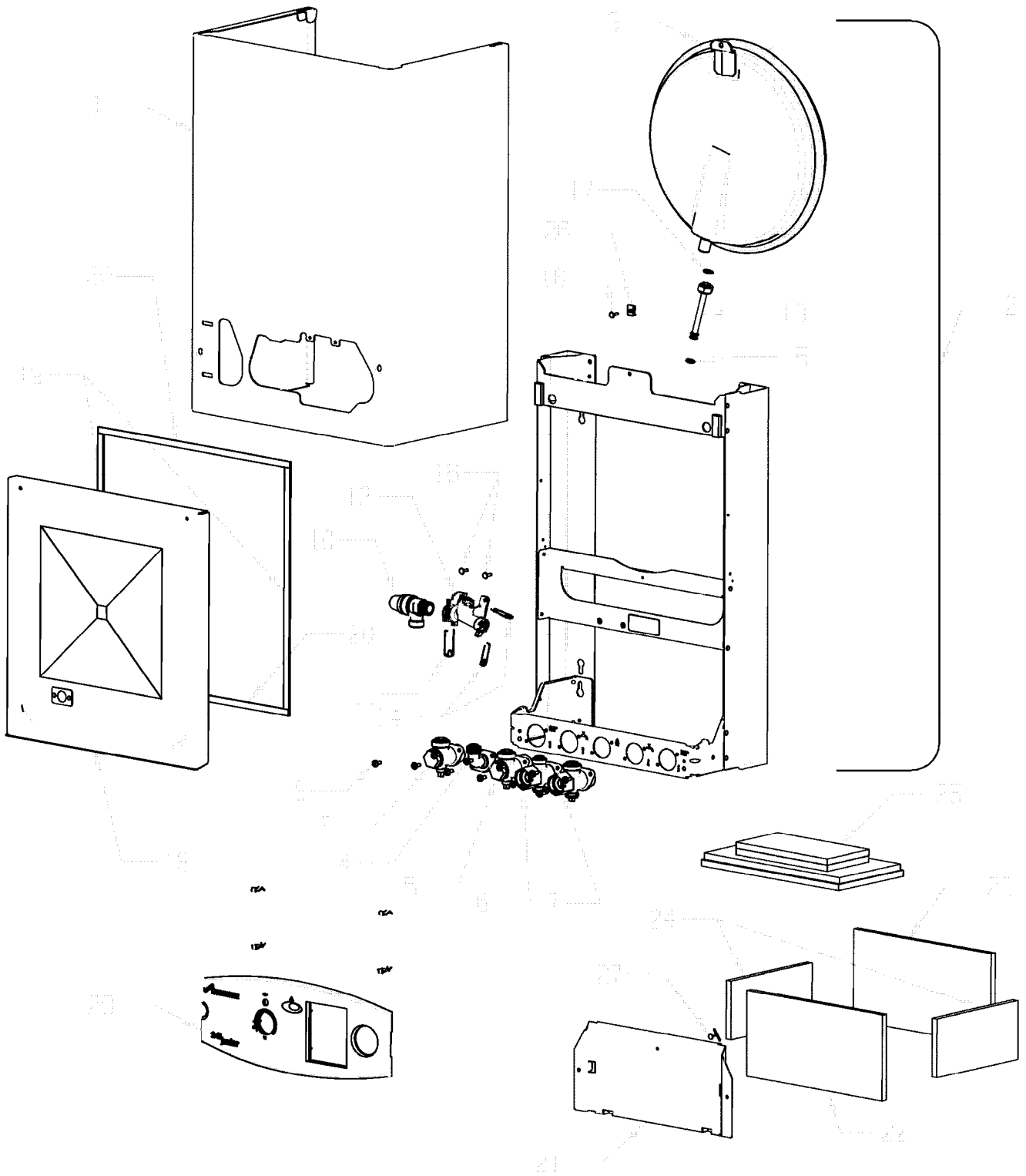


28I JUNIOR RSF



Spare parts list



87219501683105

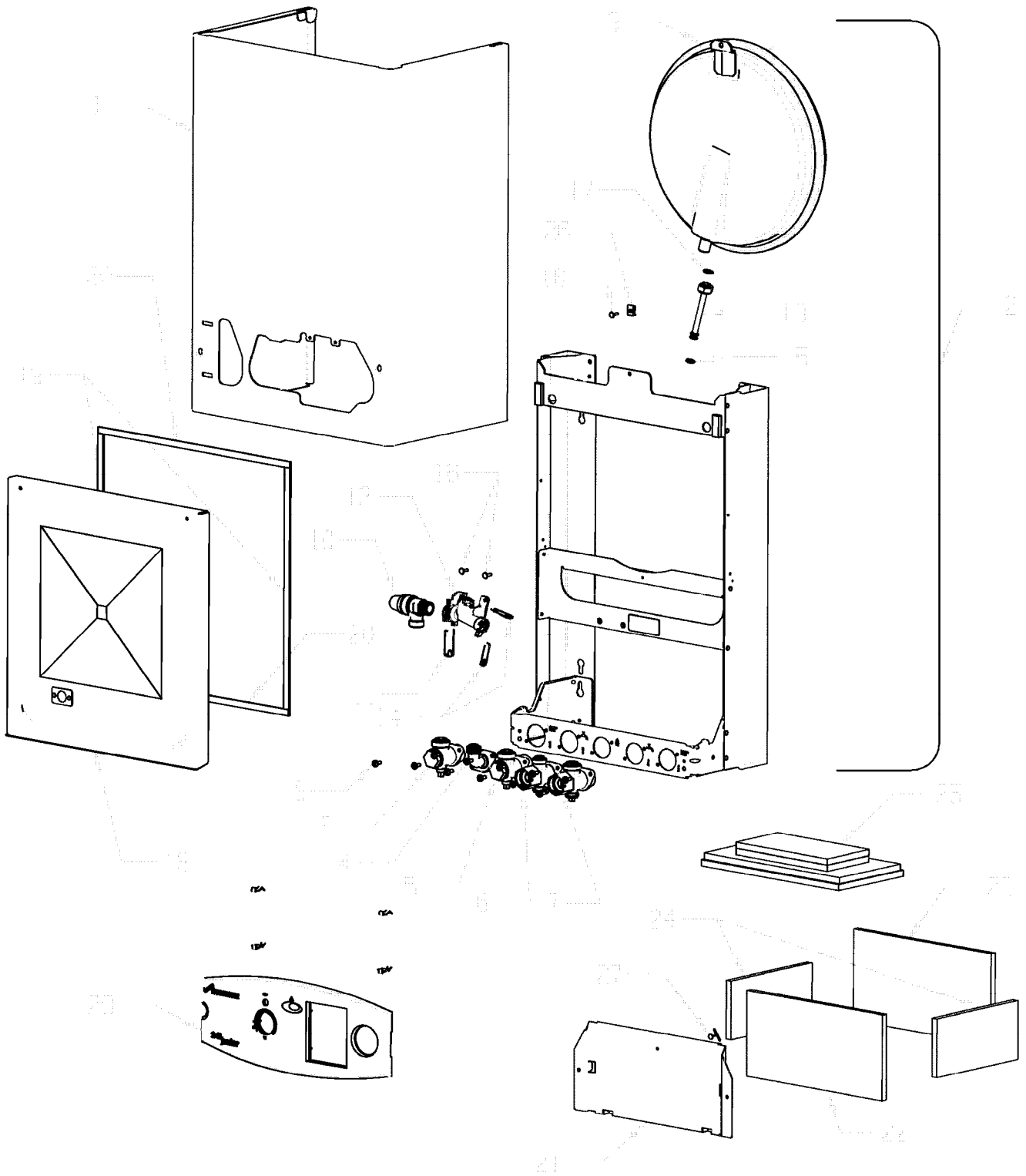
Casing
D

28i Junior 28i Junior LPG

1

Pos	description	S-Nr	ordering no.	PG	gas type	28i Junior	28i Junior LPG											remarks
1	Mantle assembly		8 716 105 672 0		23	■												
1	Mantle assembly		8 716 105 672 0		LPG		■											
2	Wall frame assembly		8 716 105 667 0		23	■												
2	Wall frame assembly		8 716 105 667 0		LPG		■											
3	Valve - C.H. (uk)		8 716 156 755 0	26	23	■												
3	Valve - C.H. (uk)		8 716 156 755 0	26	LPG		■											
4	Connector dhw-out (uk)		8 716 156 384 0	20	23	■												
4	Connector dhw-out (uk)		8 716 156 384 0	20	LPG		■											
5	Gas cock (uk)		8 716 156 753 0		23	■												
5	Gas cock (uk)		8 716 156 753 0		LPG		■											
6	Valve - dcw in (uk)		8 716 103 424 0	31	23	■												
6	Valve - dcw in (uk)		8 716 103 424 0	31	LPG		■											
7	Valve - ch (uk)		8 716 103 423 0	31	23	■												
7	Valve - ch (uk)		8 716 103 423 0	31	LPG		■											
8	Screw M5x12mm taptite zc pl p/h		2 914 411 403 0	12	23	■												
8	Screw M5x12mm taptite zc pl p/h		2 914 411 403 0	12	LPG		■											
9	Expansion vessel		8 716 105 545 0	39	23	■												
9	Expansion vessel		8 716 105 545 0	39	LPG		■											
10	Pressure relief valve 312438		8 716 142 404 0	23	23	■												
10	Pressure relief valve 312438		8 716 142 404 0	23	LPG		■											
11	Wire form spring (x10)		8 716 771 169 0	12	23	■												
11	Wire form spring (x10)		8 716 771 169 0	12	LPG		■											
12	Manifold/flexible hose kit		8 716 108 132 0		23	■												
12	Manifold/flexible hose kit		8 716 108 132 0		LPG		■											
13	Pipe expansion vessel		8 716 105 638 0		23	■												
13	Pipe expansion vessel		8 716 105 638 0		LPG		■											
14	Clamping spring		8 716 771 167 0	12	23	■												
14	Clamping spring		8 716 771 167 0	12	LPG		■											
15	O ring 7.59 X 2.62 EP70		8 716 105 792 0		23	■												
15	O ring 7.59 X 2.62 EP70		8 716 105 792 0		LPG		■											
16	Screw no.8x1/2 f/h type b self tap.		2 912 421 225 0	16	23	■												
16	Screw no.8x1/2 f/h type b self tap.		2 912 421 225 0	16	LPG		■											
17	Washer fibre 15.0 x 10.0 x 1.0		8 716 140 921 0	12	23	■												
17	Washer fibre 15.0 x 10.0 x 1.0		8 716 140 921 0	12	LPG		■											
18	Front cover assembly		8 716 105 670 0		23	■												
18	Front cover assembly		8 716 105 670 0		LPG		■											
19	Silicone sponge		8 716 105 766 0		23	■												
19	Silicone sponge		8 716 105 766 0		LPG		■											
20	Silicone sponge		8 716 105 768 0		23	■												
20	Silicone sponge		8 716 105 768 0		LPG		■											
21	Combustion cover		8 716 105 437 0		23	■												
21	Combustion cover		8 716 105 437 0		LPG		■											
22	Insulation Front		8 716 105 536 0		23	■												
22	Insulation Front		8 716 105 536 0		LPG		■											
23	Insulation rear		8 716 105 537 0		23	■												
23	Insulation rear		8 716 105 537 0		LPG		■											
24	Insulation side		8 716 105 540 0		23	■												
24	Insulation side		8 716 105 540 0		LPG		■											
25	Insulation set		8 716 105 937 0		23	■												
25	Insulation set		8 716 105 937 0		LPG		■											
26	Nut Captive No:8		8 716 148 204 0	16	23	■												
26	Nut Captive No:8		8 716 148 204 0	16	LPG		■											
28i Junior 28i Junior LPG			Casing D															1

Spare parts list



87219501683105

Casing
D

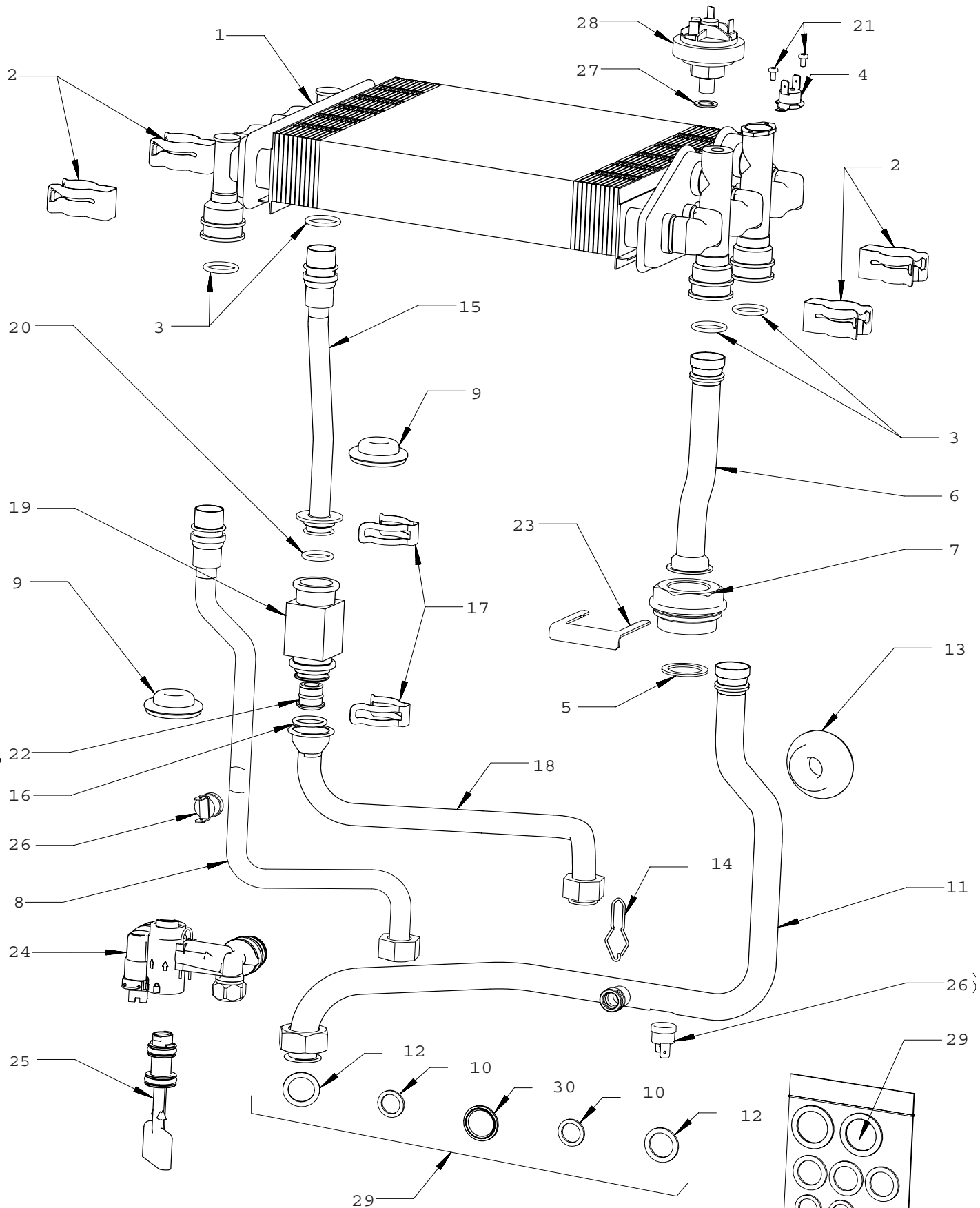
28i Junior 28i Junior LPG

1

Pos	description	S-Nr	ordering no.	PG	gas type	28i Junior	28i Junior LPG													remarks
27	Retaining clip		8 716 148 363 0		23	■														
27	Retaining clip		8 716 148 363 0		LPG		■													
28	Facia Assembly 28i Junior		8 716 105 799 0		23	■														
28	Facia Assembly 28i Junior		8 716 105 799 0		LPG		■													
	Bottom panel		8 716 104 742 0		23	■														
	Bottom panel		8 716 104 742 0		LPG		■													

28i Junior 28i Junior LPG	Casing D	1
----------------------------------	-------------	----------

Spare parts list



Heat exchanger/ Pipes
D

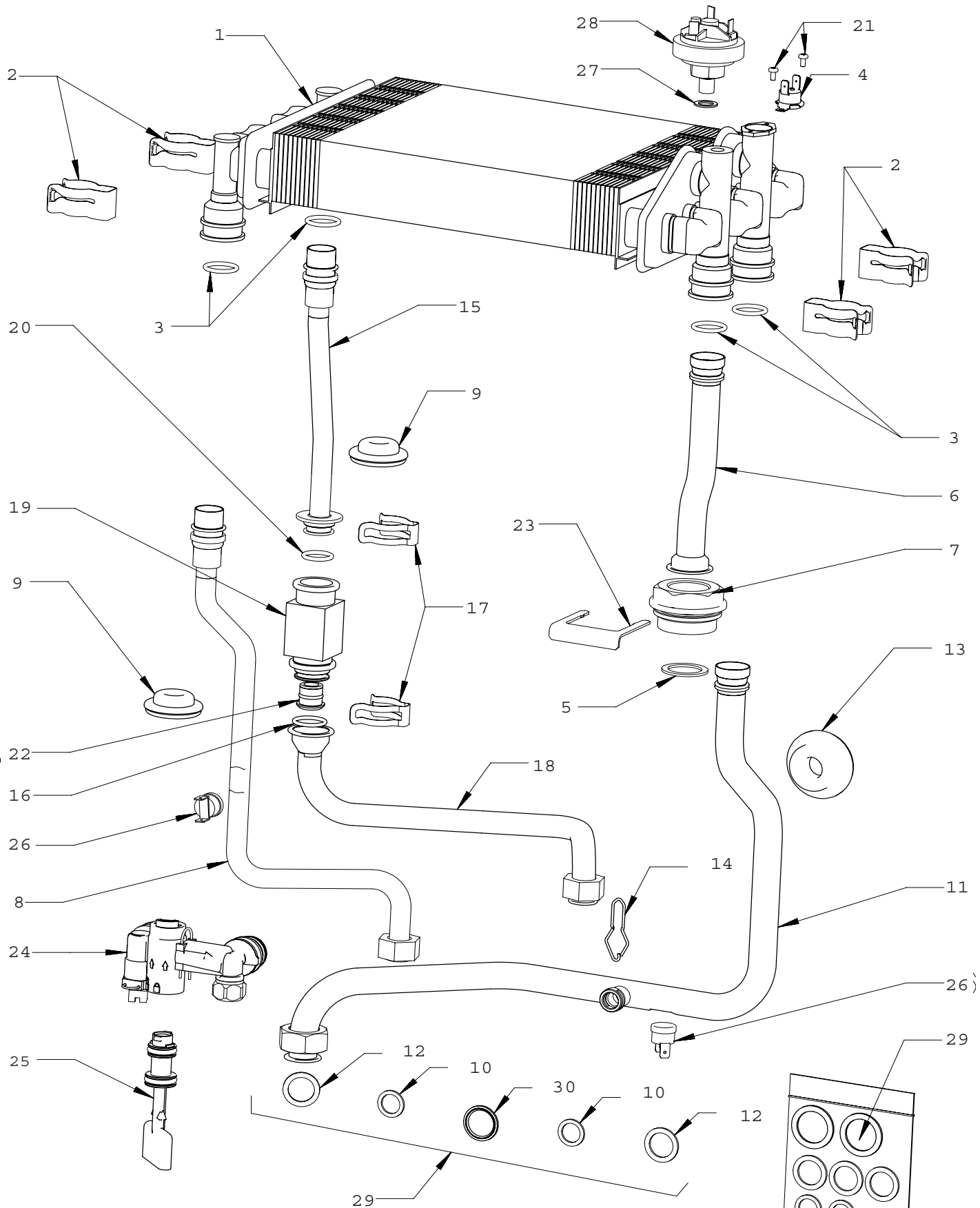
28i Junior 28i Junior LPG

6720900189.AF

2

Pos	description	S-Nr	ordering no.	PG	gas type	28i Junior	28i Junior LPG											remarks
1	Heatexchanger gas to water bi-thermal		8 716 105 483 0		23	■												
1	Heatexchanger gas to water bi-thermal		8 716 105 483 0		LPG		■											
2	Clip heatexchanger		8 716 105 649 0		23	■												
2	Clip heatexchanger		8 716 105 649 0		LPG		■											
3	O-ring 2.62 X 17.86		8 716 140 806 0	15	23	■												
3	O-ring 2.62 X 17.86		8 716 140 806 0	15	LPG		■											
4	Overheat thermostat		8 716 142 303 0	39	23	■												
4	Overheat thermostat		8 716 142 303 0	39	LPG		■											
5	Top Hat Washer		8 716 112 317 0		23	■												
5	Top Hat Washer		8 716 112 317 0		LPG		■											
6	Pipe primary return		8 716 105 569 0		23	■												
6	Pipe primary return		8 716 105 569 0		LPG		■											
7	Pump outlet connector		8 716 105 655 0		23	■												
7	Pump outlet connector		8 716 105 655 0		LPG		■											
8	Pipe-domestic hot water assembly		8 716 105 481 0		23	■												
8	Pipe-domestic hot water assembly		8 716 105 481 0		LPG		■											
9	Seal-15mm tube		8 716 140 712 0	17	23	■												
9	Seal-15mm tube		8 716 140 712 0	17	LPG		■											
10	Washer 18.6 X 13.5 X 1.5 (10x)		8 710 103 045 0	11	23	■												
10	Washer 18.6 X 13.5 X 1.5 (10x)		8 710 103 045 0	11	LPG		■											
10	Washer 18.6 x 13.5 x 1.5 (1x)		8 716 115 680 0		23	■												
10	Washer 18.6 x 13.5 x 1.5 (1x)		8 716 115 680 0		LPG		■											
11	Pipe primary flow assembly		8 716 105 568 0		23	■												
11	Pipe primary flow assembly		8 716 105 568 0		LPG		■											
12	Fibre washer 23.9 X 17.2 X 1.5 (10x)		8 710 103 043 0	12	23	■												
12	Fibre washer 23.9 X 17.2 X 1.5 (10x)		8 710 103 043 0	12	LPG		■											
12	Washer 23.9 x 17.2 x 1.5 (X1)		8 716 115 674 0		LPG		■											
13	Seal 18mm		8 716 106 109 0		23	■												
13	Inner casing grommet		8 716 140 719 0		LPG		■											
14	Clip self retaining		8 716 105 773 0		23	■												
14	Clip self retaining		8 716 105 773 0		LPG		■											
15	Pipe turbine heat exchanger assembly		8 716 105 478 0		23	■												
15	Pipe turbine heat exchanger assembly		8 716 105 478 0		LPG		■											
16	O-Ring 17.6 ID X 2.4 EP		8 716 140 820 0	02	23	■												
16	O-Ring 17.6 ID X 2.4 EP		8 716 140 820 0	02	LPG		■											
17	Clamp spring (10x)		8 716 102 607 0	22	23	■												
17	Clamp spring (10x)		8 716 102 607 0	22	LPG		■											
18	Pipe-domestic cold water assembly		8 716 105 480 0		23	■												
18	Pipe-domestic cold water assembly		8 716 105 480 0		LPG		■											
19	Flow sensor		8 716 146 164 0	36	23	■												
19	Flow sensor		8 716 146 164 0	36	LPG		■											
20	O-ring 2.62 X 15.54 id ep		8 716 140 805 0	15	23	■												
20	O-ring 2.62 X 15.54 id ep		8 716 140 805 0	15	LPG		■											
21	Screw m3x6mm zc pl p/h tapitite		2 914 411 411 0	18	23	■												
21	Screw m3x6mm zc pl p/h tapitite		2 914 411 411 0	18	LPG		■											
22	Flow regulator - c/w filter		8 716 141 253 0	25	23	■												
22	Flow regulator - c/w filter		8 716 141 253 0	25	LPG		■											
23	Pump outlet connector clip		8 716 105 658 0		23	■												
23	Pump outlet connector clip		8 716 105 658 0		LPG		■											
24	Charging link assembly		8 716 104 592 0		23	■												
24	Charging link assembly		8 716 104 592 0		LPG		■											
25	Charging key assembly		8 716 104 591 0		23	■												
28i Junior 28i Junior LPG			Heat exchanger/ Pipes D															2

Spare parts list



Heat exchanger/ Pipes
D

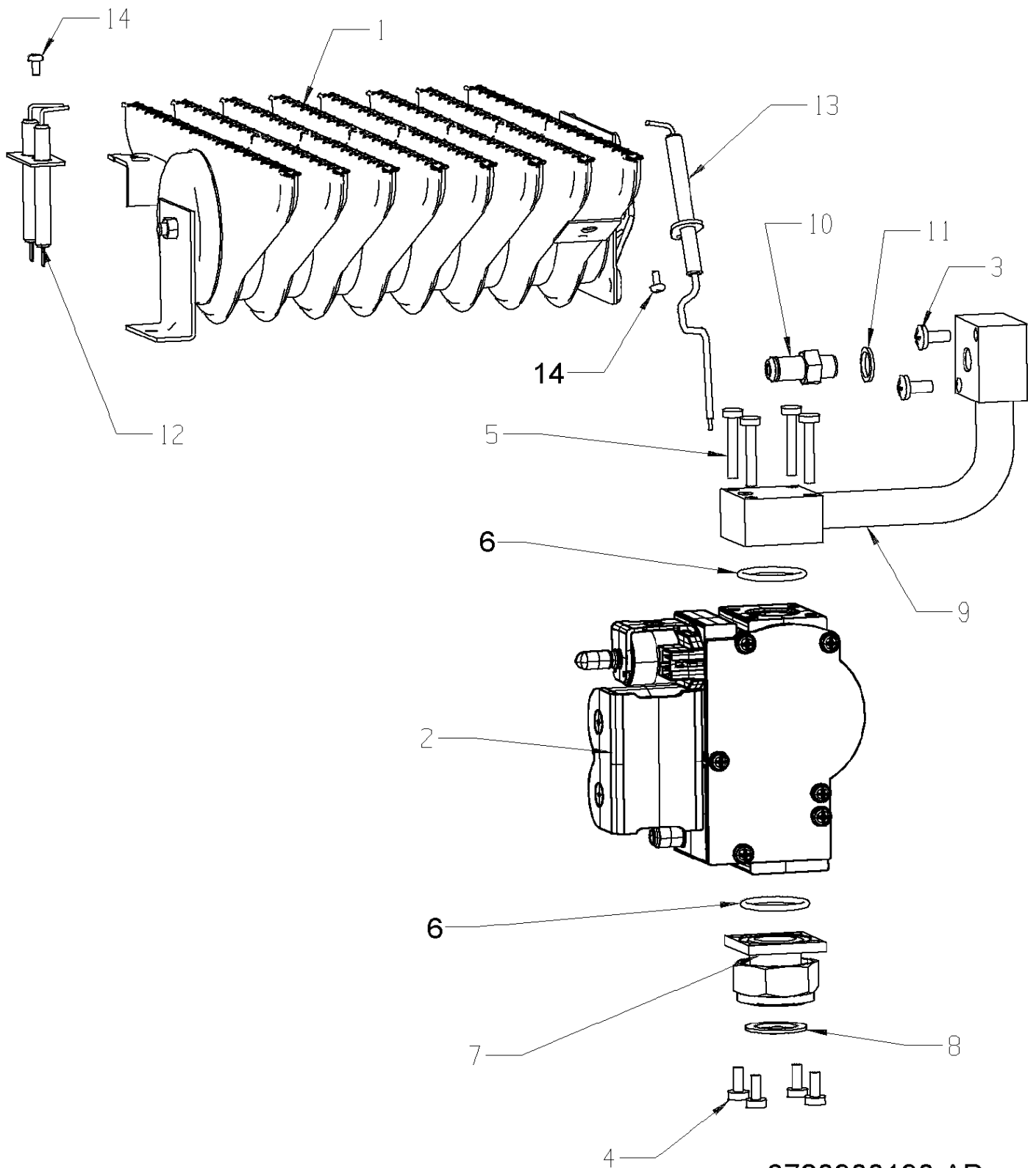
2

28i Junior 28i Junior LPG

6720900189.AF

Pos	description	S-Nr	ordering no.	PG	gas type	28i Junior	28i Junior LPG														remarks
25	Charging key assembly		8 716 104 591 0		LPG	■															
26	Ntc/thermister dhw		8 716 142 302 0	17	23	■															
26	Ntc/thermister dhw		8 716 142 302 0	17	LPG	■															
27	Washer fibre 15.0 x 10.0 x 1.0		8 716 140 921 0	12	23	■															
27	Washer fibre 15.0 x 10.0 x 1.0		8 716 140 921 0	12	LPG	■															
28	Water pressure switch		8 716 105 111 0		23	■															
28	Water pressure switch		8 716 105 111 0		LPG	■															
29	Washer set-mounting set		8 716 115 535 0		23	■															
29	Washer set-mounting set		8 716 115 535 0		LPG	■															
28i Junior 28i Junior LPG			Heat exchanger/ Pipes D																	2	

Spare parts list



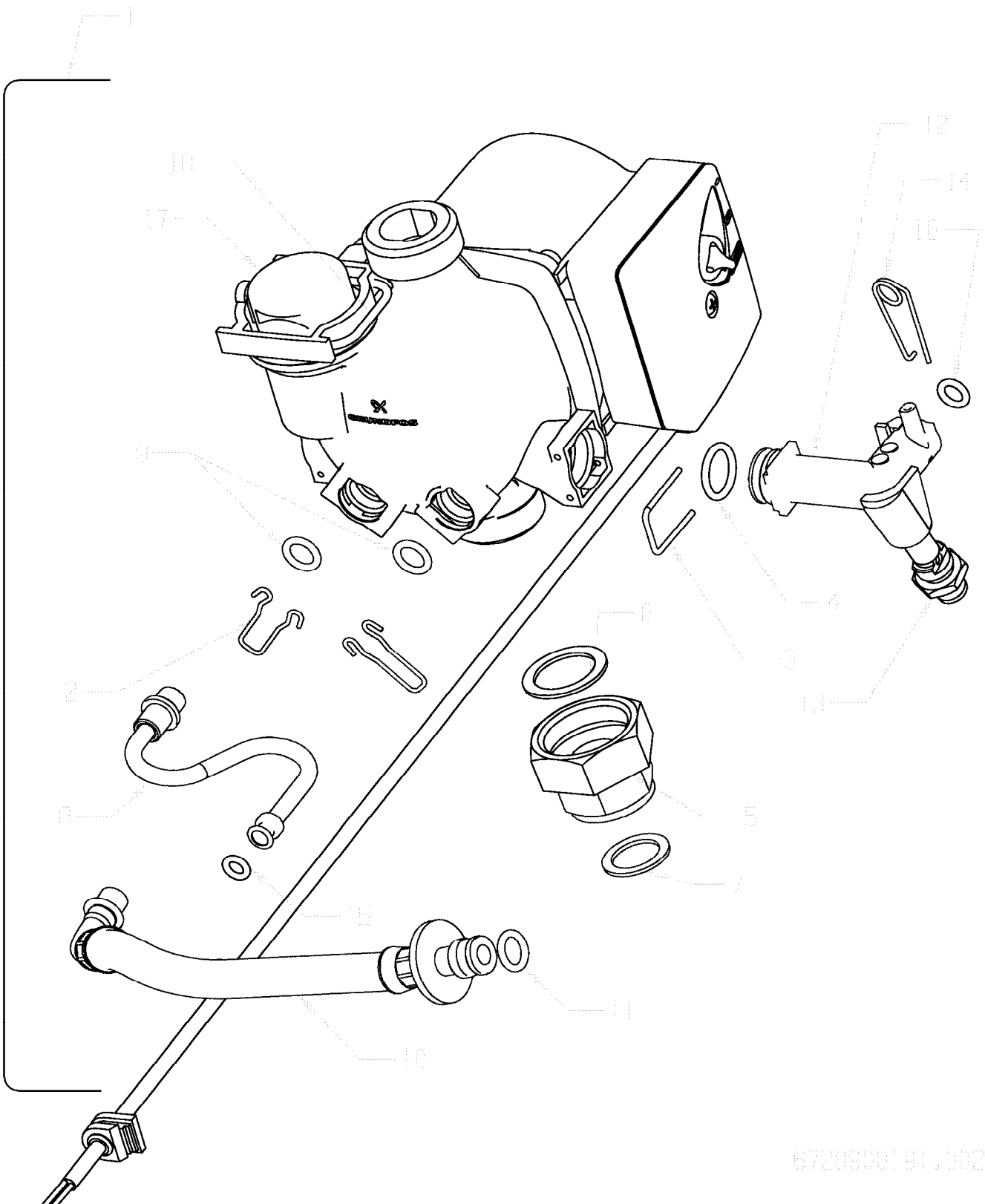
6720900190.AB

Burner / gas valve assembly
D

28i Junior 28i Junior LPG

3

Spare parts list



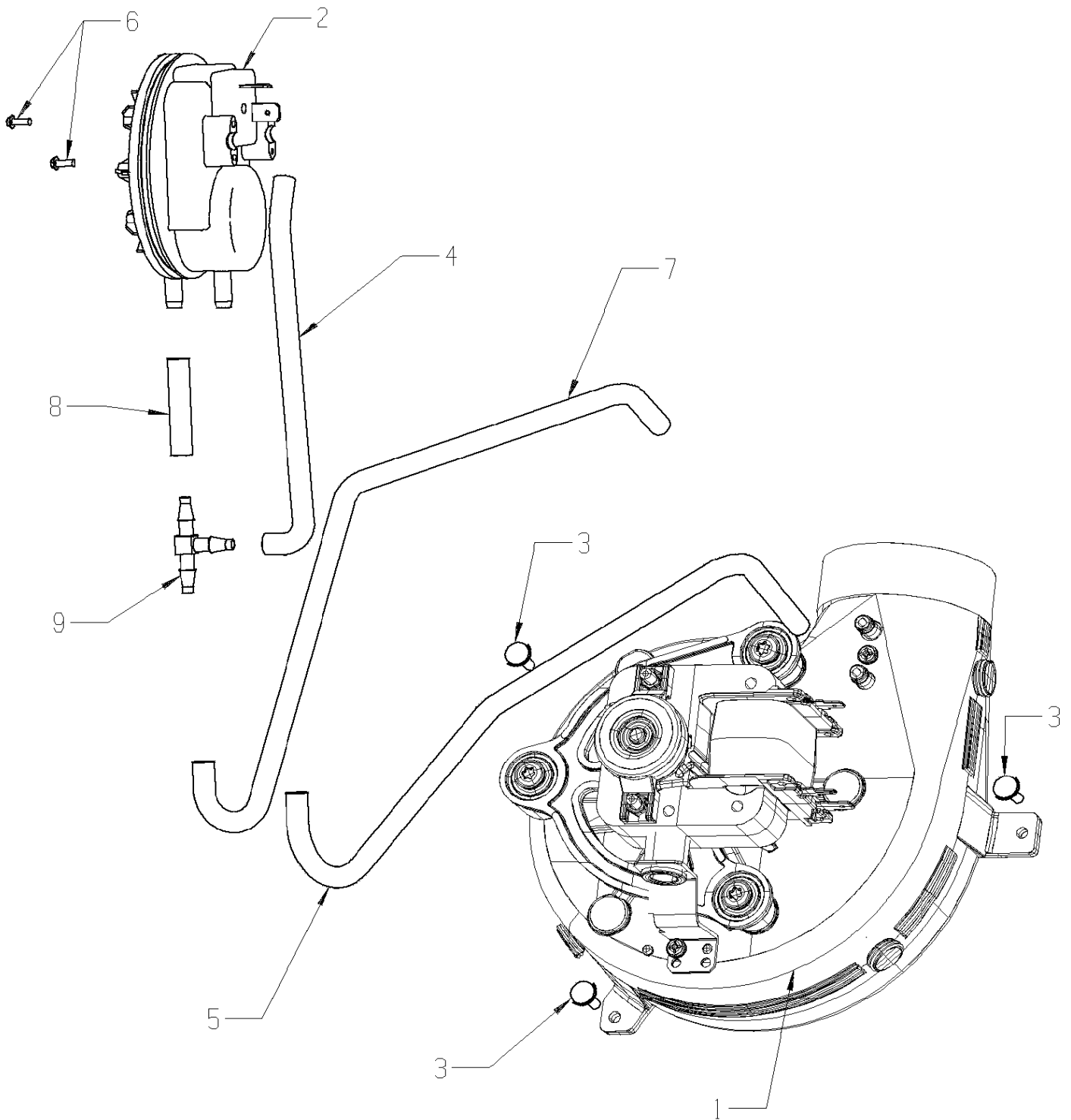
6720900191.002

Pump
D

28i Junior 28i Junior LPG

4

Spare parts list



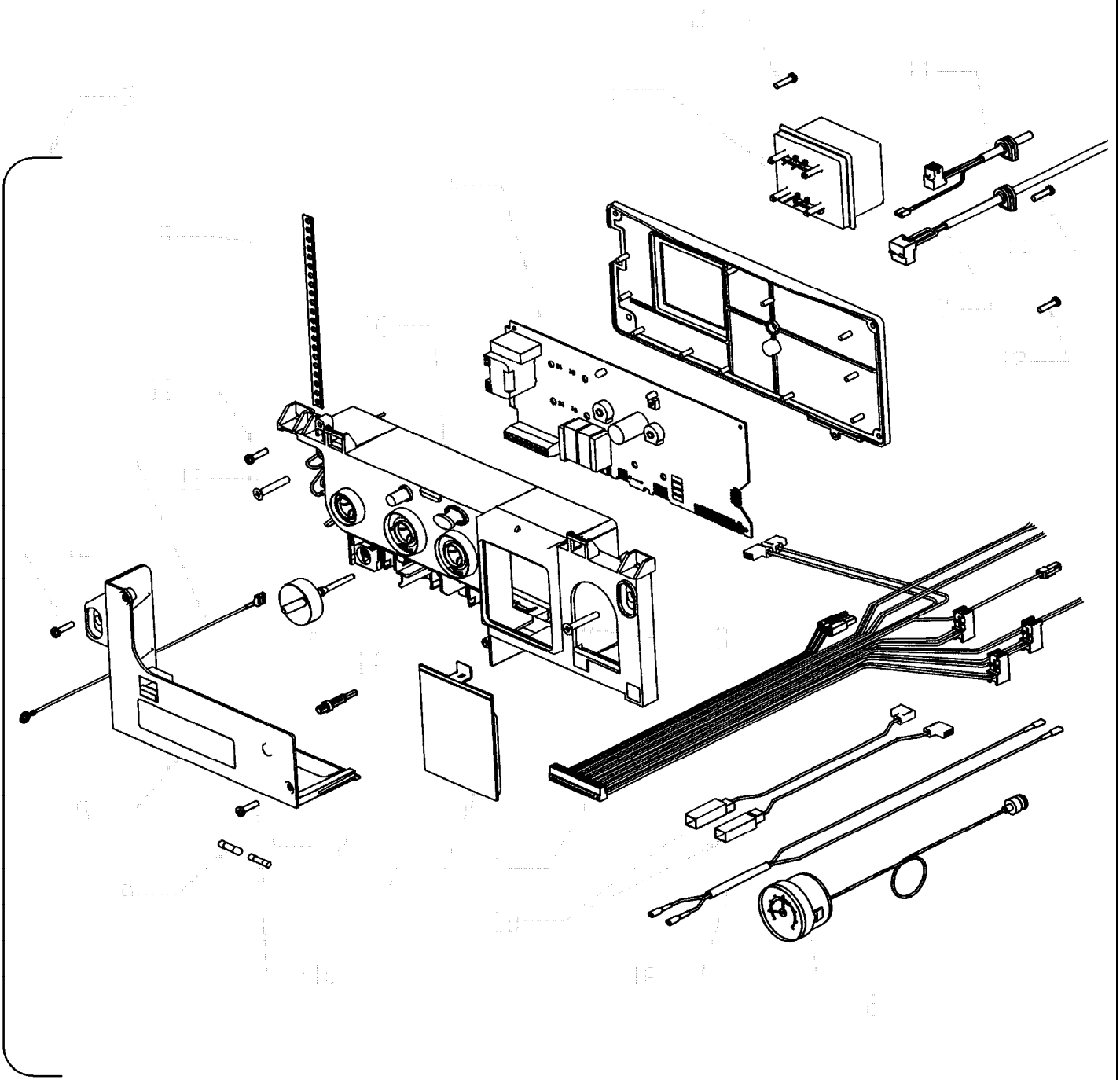
6720900192.AA

Fan
D

5

28i Junior 28i Junior LPG

Spare parts list



Control box
D

28i Junior 28i Junior LPG

6

**ADDITIONAL SPARE PARTS
FOR APPLIANCE
NOT DRAWN**

9099

6720900999.AA

Additional Spare Part
D

9

28i Junior 28i Junior LPG

Pos	description	S-Nr	ordering no.	PG	gas type	28i Junior	28i Junior LPG													remarks
	IS digital prog G'star HE, junior,Si II		8 716 104 795 0		23	■														
	Digistat receiver he/si-ii- so24ri		8 716 105 129 0		23	■														
	Digistat receiver he/si-ii- so24ri		8 716 105 129 0		LPG		■													
	Programmer mechanical		8 716 105 130 0		23	■														
	User guide 24/28i Junior		8 716 105 874 0		23	■														
	User guide 24/28i Junior		8 716 105 874 0		LPG		■													
	Literature Pack - 24/28 I junior		8 716 105 890 0		23	■														
	Literature Pack - 24/28 I junior		8 716 105 890 0		LPG		■													
	User instructions short i-Junior		8 716 105 891 0		23	■														
	User instructions short i-Junior		8 716 105 891 0		LPG		■													
	Gas conversion kit lpg to ng 28i Junior		8 716 105 965 0		23	■														
	Gas conversion kit lpg to ng 28i Junior		8 716 105 965 0		LPG		■													
	Digistat mech transmitter		8 716 106 191 0		23	■														
	Digistat mech receiver		8 716 106 192 0		23	■														
	Twin Channel Digital Receiver DT20 RF		8 716 106 669 0		23	■														
	Twin Channel Digital Receiver DT20 RF		8 716 106 669 0		LPG		■													
	i junior 24/28 srv & instal manual		8 716 106 766 0		23	■														
	i junior 24/28 srv & instal manual		8 716 106 766 0		LPG		■													
	Digistat Optimiser Transmitter MK2		8 716 114 462 0		23	■														
	Digistat Optimiser Transmitter MK2		8 716 114 462 0		LPG		■													
	DT20RF Room Thermostat Transmitter MK2		8 716 114 463 0		23	■														
	DT20RF Room Thermostat Transmitter MK2		8 716 114 463 0		LPG		■													
	IO DT20RF Programmer WoP		8 716 114 478 0		23	■														
	IO DT20RF Programmer WoP		8 716 114 478 0		LPG		■													
28i Junior 28i Junior LPG			Additional Spare Part D																	9

List of translations

Pos				
1				
2				
3				
4				
5				
6				
7				
8				
9				
10				
11				
12				
13				
14				
15				
16				
17				
18				
19				
20				
21				
22				
23				
24				
25				
26				
27				
28				
2				
1				
2				
3				
4				
5				
6				
7				
8				
9				
10				
11				
12				
13				
14				
15				
16				
17				
18				
19				
20				
21				
22				
23				
24				
25				
26				
Pos				

List of translations

27				
28				
29				
3				
1				
2				
3				
4				
5				
6				
7				
8				
9				
10				
11				
12				
13				
14				
4				
1				
2				
3				
4				
5				
6				
7				
8				
9				
10				
12				
13				
14				
15				
16				
17				
18				
5				
1				
2				
3				
4				
5				
6				
7				
8				
9				
6				
1				
2				
3				
4				
5				
6				
7				
8				
9				
Pos				

