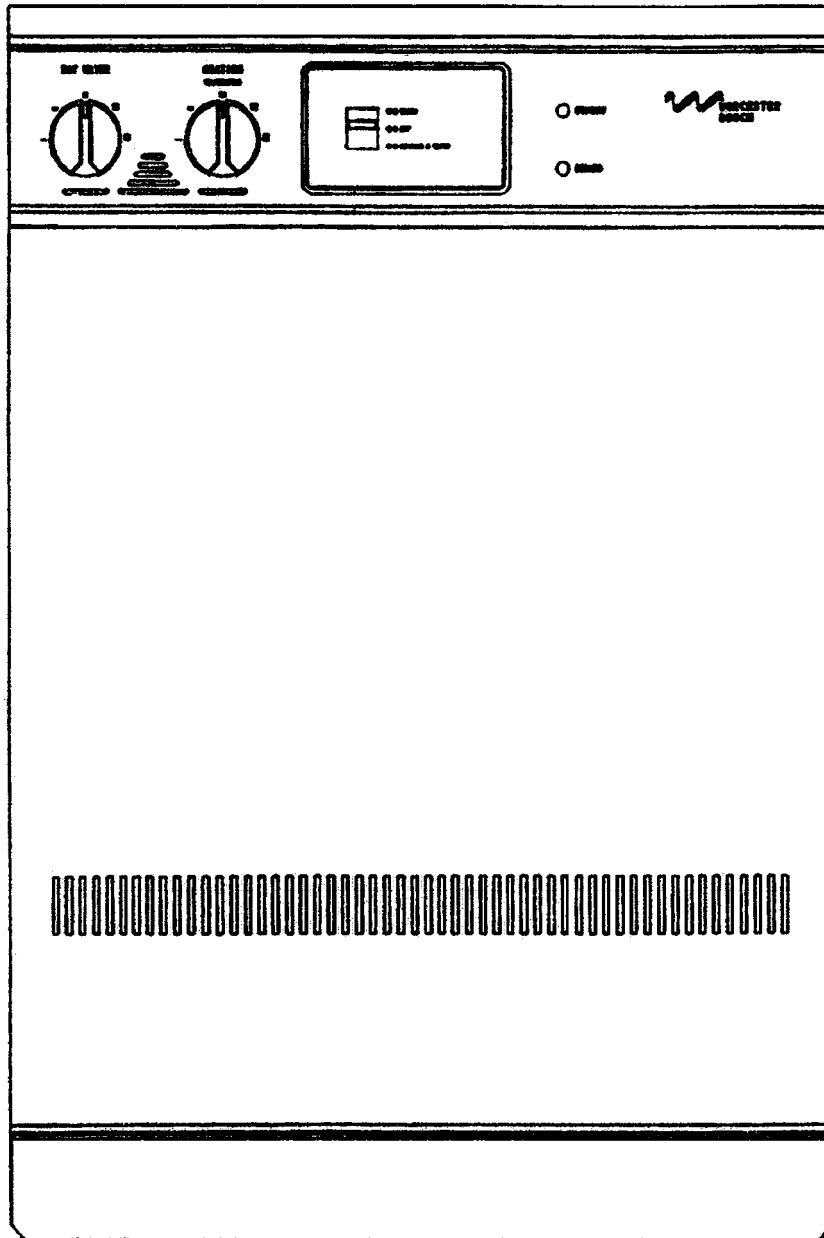


# HIFLO400 RSF



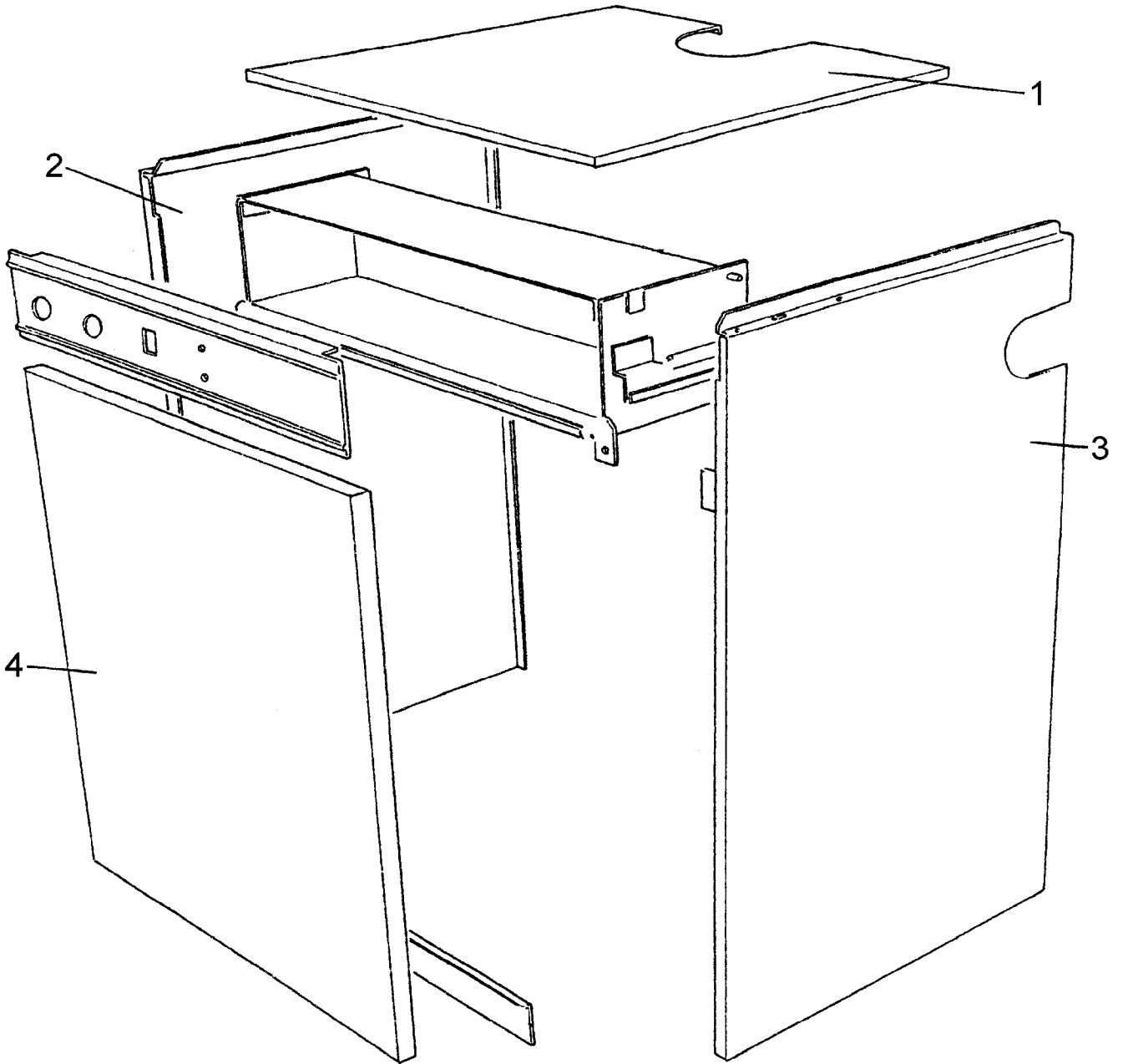
- 1 Casing
- 2 Superstructure & Heat Exchanger
- 3 Pump & Hydraulic Assy (A)
- 4 Pump & Hydraulic Assy (B)
- 5 Tank & Expansion Vessel
- 6 Electrical Box Assy
- 9 Additional Spare Parts

6720900102.AA





Spare parts list



6720900103.AA

Casing  
D

**1**

400 FSN NG 400 FSP LPG

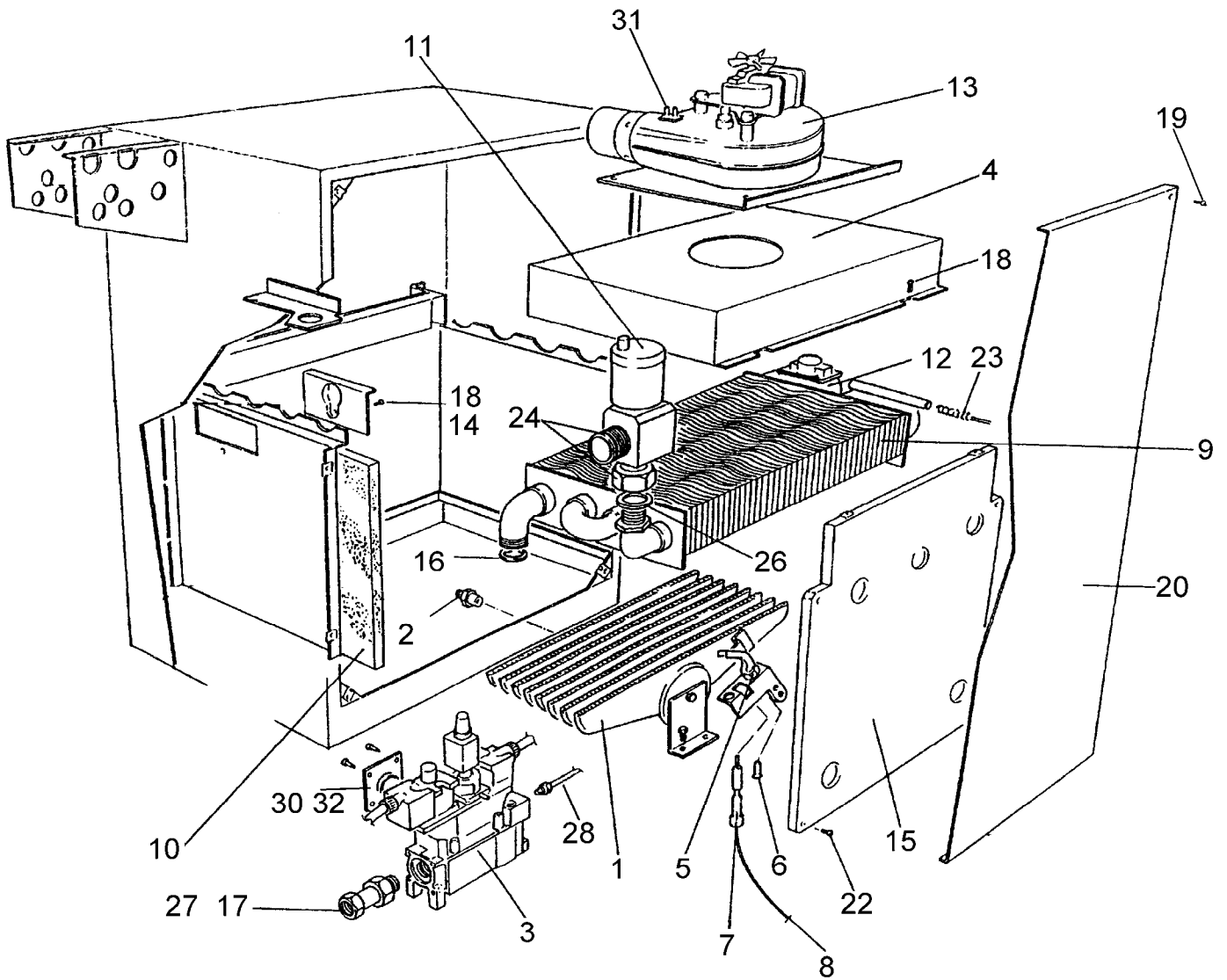
Pos	description	S-Nr	ordering no.	PG	gas type	400 FSN NG	400 FSP LPG											remarks
1	Cabinet top panel assy.		8 716 120 726 0			■	■											
2	Cabinet side panel-lh assy		8 716 120 708 0			■	■											
3	Cabinet side panel-rh assy		8 716 120 709 0			■	■											
4	Cabinet front panel assy		8 716 120 723 0			■	■											
	Plug blanking black 8mm		8 716 141 149 0			■	■											

**400 FSN NG 400 FSP LPG**

Casing  
D

**1**

Spare parts list



6720900104.AA

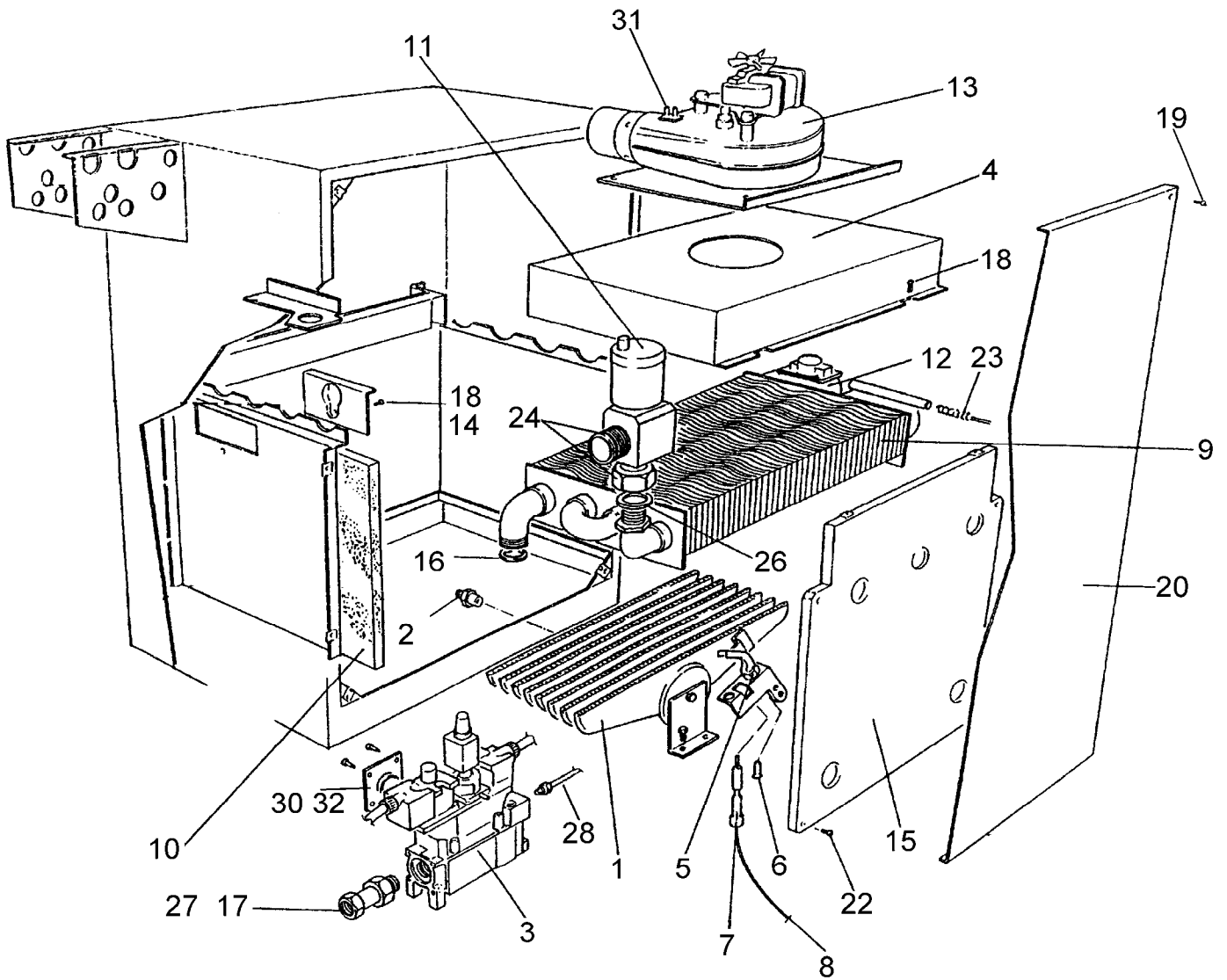
Superstructure / Heat exchanger  
D

400 FSN NG 400 FSP LPG

**2**

Pos	description	S-Nr	ordering no.	PG	gas type	400 FSN NG	400 FSP LPG											remarks
1	Burner aeromatic ng		8 716 142 607 0			■												
1	Burner aeromatic lpg		8 716 142 608 0				■											
2	Main burner injector 4.4 dia.		8 716 156 337 0			■												
2	Injec. lpg 1/8 x120degx2.8di		8 716 156 338 0				■											
3	Gas valve - ng. vr4601qa2003		8 716 142 438 0			■												
3	Gas valve - lpg vr4601qa2011		8 716 142 439 0				■											
4	Flue hood		8 716 100 695 0			■	■											
5	Pilot burner		8 716 142 612 0			■	■											
6	Injector(pilot)lpg		8 716 148 153 0				■											
6	Injector(pilot)		8 716 156 300 0			■												
7	Spark electrode		8 716 142 104 0			■	■											
8	Lead assy 0.7ptfe cabLe 1000mm		8 716 146 641 0			■	■											
9	Gas to water heat exchanger		8 716 142 801 0			■	■											
10	Insulation pack		7 716 192 227 0			■	■											
11	Air-vent automatic 3/8 (ss kit)		8 716 140 500 0	35		■	■											
12	T/stat T/disc 60t13500103		8 716 142 362 0			■	■											AKT,AKU,AKR,AKV,AKW
13	Fan & mount plate assy-lpg		8 716 120 704 0				■											
13	Fan & mount plate assy		8 716 120 738 0			■	■											
14	Nut spire sNu3374		8 716 155 022 0			■	■											
15	Combustion chamber front assy		8 716 100 347 0			■	■											
16	Washers 22mm thin		8 716 140 918 0			■	■											
17	Gas cock 90 deg. angle body		8 716 142 429 0			■	■											
18	Screw iso no 6b x 9.5 recessed		2 912 421 210 0	07		■	■											
19	Screw no.8 x 1" pozi hex head flanged s/		2 912 421 229 0			■	■											
20	Inner casing front assy		8 716 120 741 0			■	■											
22	Screw no.8x1/2 f/h type b self tap.		2 912 421 225 0	16		■	■											
23	T/stat - ranco lm8-p2041 (hl)		8 716 142 339 0			■	■											
24	Air vent adaptor assembly		8 716 121 079 0			■	■											
26	Fibre washer 23.9 X 17.2 X 1.5 (10x)		8 710 103 043 0	12		■	■											
26	Washer 23.9 x 17.2 x 1.5 (X1)		8 716 115 674 0			■	■											
27	Gas line assembly		8 716 121 086 0			■	■											
28	Pilot feed tube assy		8 716 121 314 0			■	■											
30	Gasket - burner manifold		8 716 140 910 0			■	■											
31	Fan venturi		8 716 141 099 0			■	■											
32	Burner manifold		8 716 143 070 0			■	■											
	Access hole cover		8 716 100 693 0			■	■											
	Fan restrictor assembly		8 716 120 706 0			■	■											
	Harness - gas valve (pilot)		8 716 120 813 0			■	■											
	Harness - gas valve (main)		8 716 120 814 0			■	■											
	Harness gas valve hi/low		8 716 120 998 0			■	■											
	1/2 extended liner		8 716 140 257 0			■	■											
	Flanged backnut 1 bsp		8 716 140 293 0			■	■											
	Pressure sensing nipple		8 716 140 302 0			■	■											
	Bung-pilot large hole (5 pack)		8 716 140 707 0			■	■											
	Rubber grommet		8 716 140 708 0	21		■	■											
	Inner casing grommet		8 716 140 719 0			■	■											
	Pilot tube grommet		8 716 140 720 0			■	■											
	O-Ring 3.0x17.0 id h nitrile		8 716 140 832 0			■	■											
	washer 30.5x22.2x1.5		8 716 140 920 0	13		■	■											
	Elbow location grommet		8 716 141 082 0			■	■											
	Elbow clamp strap		8 716 148 215 0			■	■											
	Clip - thermostat retaining		8 716 148 324 0			■	■											
<b>400 FSN NG 400 FSP LPG</b>			Superstructure / Heat exchanger D															<b>2</b>

Spare parts list



6720900104.AA

Superstructure / Heat exchanger  
D

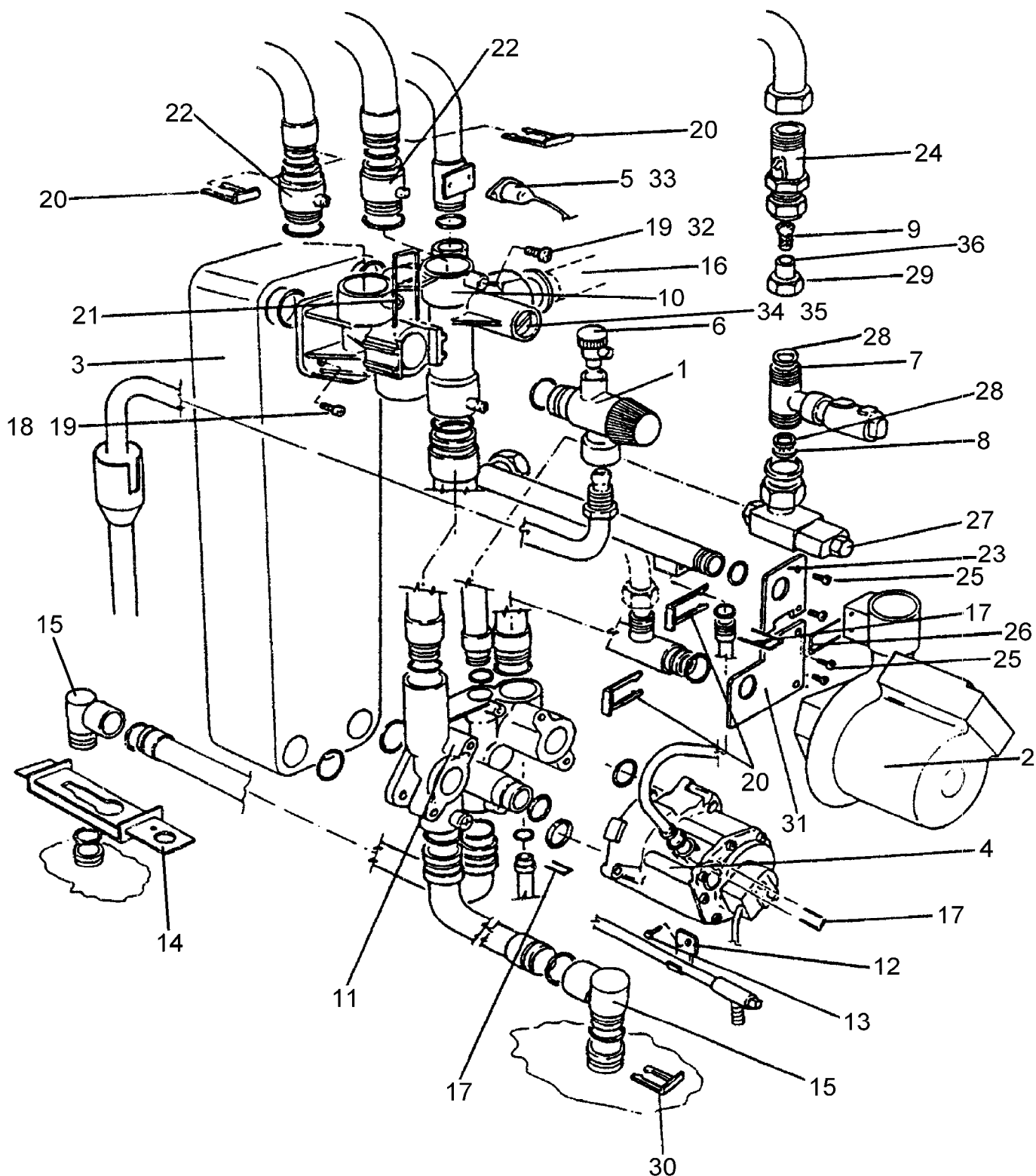
400 FSN NG 400 FSP LPG

**2**



Pos	description	S-Nr	ordering no.	PG	gas type	400 FSN NG	400 FSP LPG											remarks
	M4 extended screw 29mm long		8 716 155 046 0			■	■											
	Pressure feedback nipple		8 716 156 316 0			■	■											
<b>400 FSN NG 400 FSP LPG</b>			Superstructure / Heat exchanger D														<b>2</b>	

Spare parts list



6720900105.AA

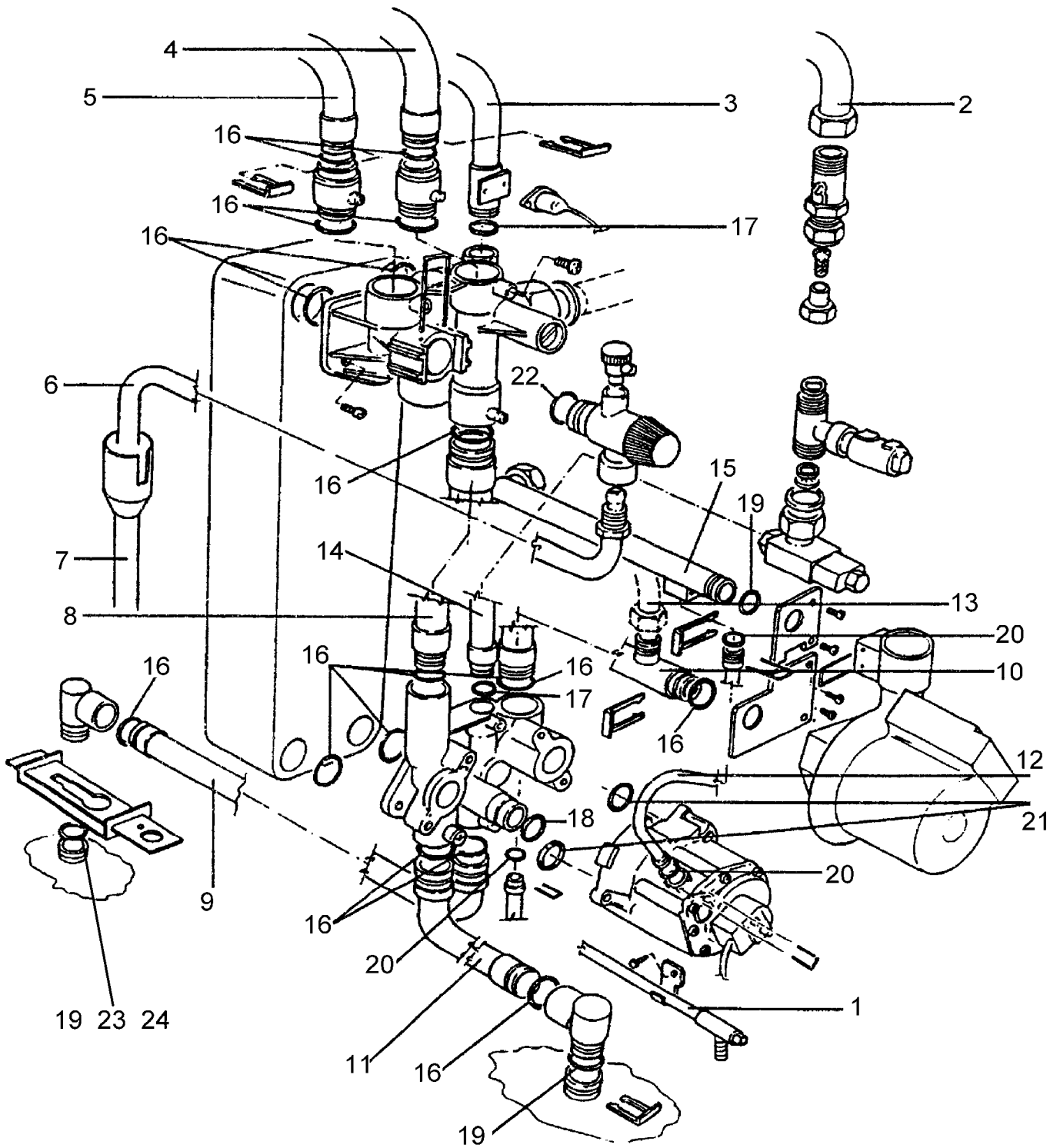
Pump / Hydraulic assy (A)  
D

400 FSN NG 400 FSP LPG

3



Spare parts list



6720900106.AA

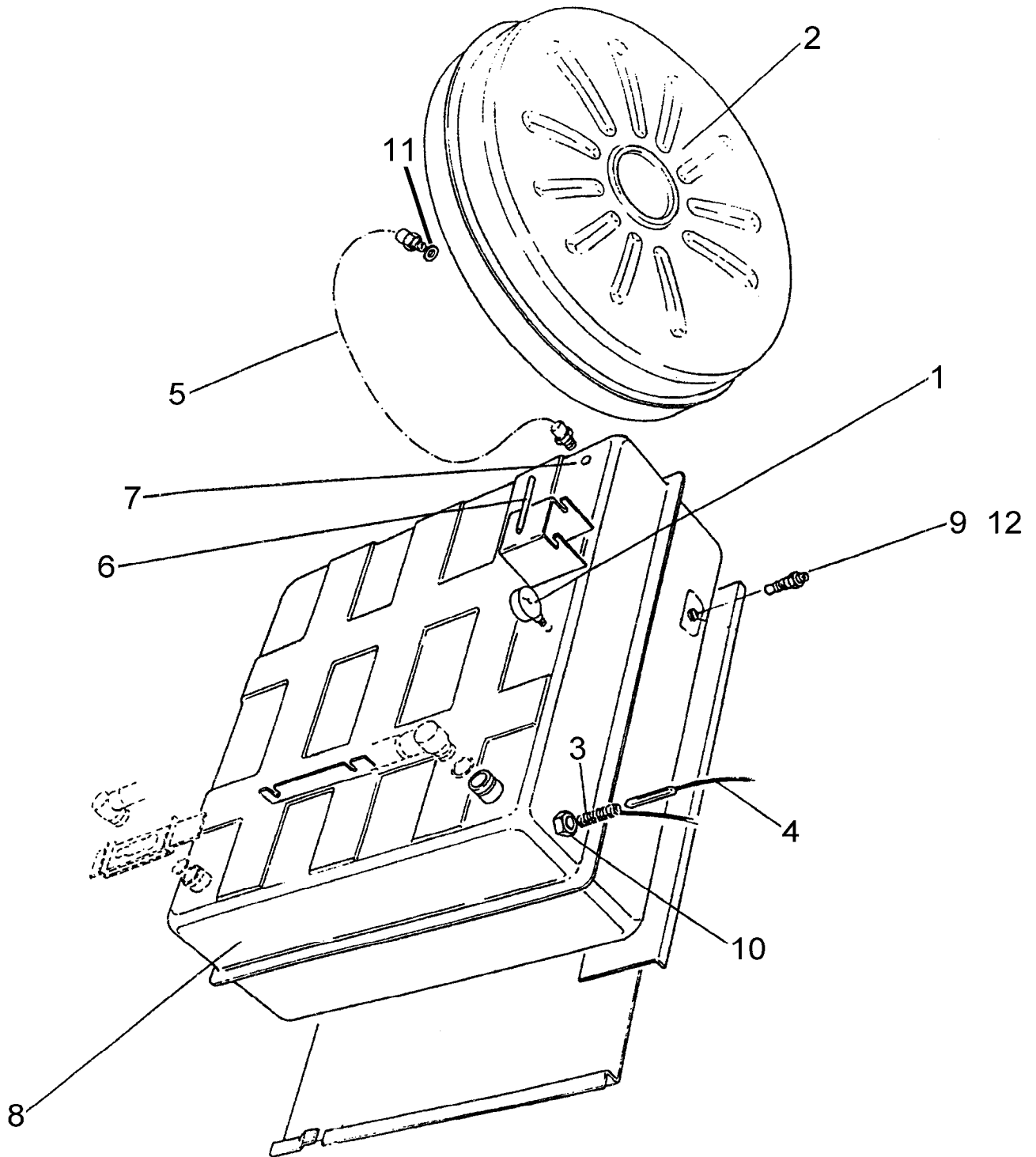
Pump / Hydraulic assy (B)  
D

400 FSN NG 400 FSP LPG

4



Spare parts list



6720900107.AA

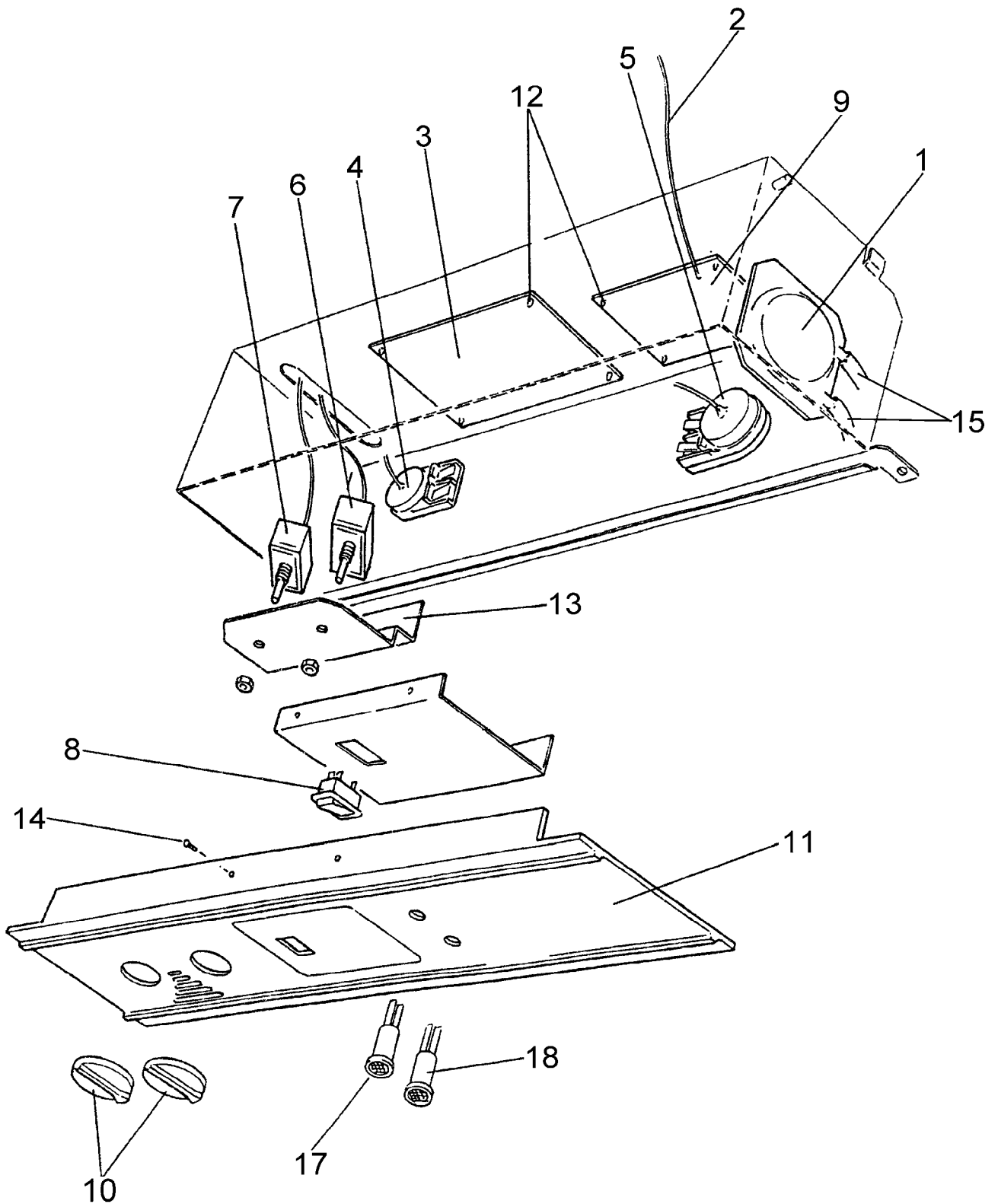
Tank & Expansion Vessel  
D

**5**

400 FSN NG 400 FSP LPG



Spare parts list



6720900108.AA

Electrical Box Assembly  
D

400 FSN NG 400 FSP LPG

6



Pos	description	S-Nr	ordering no.	PG	gas type	400 FSN NG	400 FSP LPG												remarks
1	Air pressure s/w c6065ah1038		8 716 142 409 0			■	■												
2	Lead assy 0.7ptfe cabLe 1000mm		8 716 146 641 0			■	■												
3	400-pcb replacement kit		7 716 192 237 0			■	■												AKT,AKU,AKR,AKV,AKW
3	Pump overrun board		8 716 146 312 0			■	■												Version code: All Others
4	T/stat - ranco lm7-p5079 (bba)		8 716 142 338 0			■	■												
5	T/stat - ranco lm8-p2041 (hl)		8 716 142 339 0			■	■												
6	T/stat - ranco k36-p1332 (ch)		8 716 142 341 0			■	■												
7	T/stat - ranco k36-p1333 (hw)		8 716 142 340 0			■	■												
8	Switch arrow200400e839 aa 3pos		8 716 146 106 0			■	■												
9	Ignition control board		8 716 146 305 0			■	■												
10	Knob control green-grey		8 716 141 087 0			■	■												
11	Facia assembly		8 716 121 316 0			■	■												
12	Pcb black nylon pillars		8 716 141 060 0			■	■												
13	Screw m5x10mm hex/slotted head		2 911 131 152 0	08		■	■												
14	Screw m4x10mm taptite Scr zc pl p/h		2 914 411 408 0			■	■												
15	White silicone tubing 5m long		8 716 101 079 0			■	■												
17	Lamp green c/w connectors		8 716 120 862 0			■	■												
18	Lamp amber c/w connectors		8 716 120 861 0			■	■												
	Harness - pump over run stat		8 716 120 816 0			■	■												
	Harness pressure switch		8 716 120 848 0			■	■												
	Harness 3way switch		8 716 120 910 0			■	■												
	Harness - high limit stat		8 716 121 241 0			■	■												
	Harness - hot water stat		8 716 121 307 0			■	■												
	Harness - cent. heat stat		8 716 121 308 0			■	■												
	Harness - bba h.limit stat		8 716 121 309 0			■	■												
	Harn mains lead(highflow 400)		8 716 121 310 0			■	■												
	Harness - board to board		8 716 121 311 0			■	■												
	Harness - fan		8 716 121 312 0			■	■												
	Harness - earth to cHassis		8 716 121 313 0			■	■												
	Grommet nylon open-close		8 716 141 050 0	09		■	■												
	Cable tie 2.5mm x 100mm		8 716 141 075 0			■	■												
	Cord strain relief Bush		8 716 141 102 0	14		■	■												
	Strain relief bush 300-1141		8 716 141 104 0			■	■												
<b>400 FSN NG 400 FSP LPG</b>			Electrical Box Assembly D																<b>6</b>

**ADDITIONAL SPARE PARTS  
FOR APPLIANCE  
NOT DRAWN**

9099

6720900999.AA

Additional Spare Part  
D

400 FSN NG 400 FSP LPG

**9**



## List of translations

Pos				
1				
2				
3				
4				
<b>2</b>				
1				
2				
3				
4				
5				
6				
7				
8				
9				
10				
11				
12				
13				
14				
15				
16				
17				
18				
19				
20				
22				
23				
24				
26				
27				
28				
30				
31				
32				
<b>3</b>				
1				
Pos				
2				
3				
4				
5				
6				
7				
8				
9				
10				
11				
12				
13				
14				
15				
16				
17				
18				
19				

**List of translations**

20				
21				
22				
23				
24				
25				
26				
27				
28				
29				
30				
31				
32				
33				
34				
35				
36				
<b>4</b>				
1				
2				
3				
4				
5				
6				
7				
8				
9				
10				
11				
12				
13				
14				
15				
16				
Pos				
17				
18				
19				
20				
21				
22				
23				
24				
<b>5</b>				
1				
2				
3				
4				
5				
6				
7				
8				
9				
10				
11				
12				



### Types of appliances

Appliance	ordering no.	Country remarks
<b>HIFLO400-FSN-GB NAT GAS COMBI</b>	7 716 120 002	United Kingdom
<b>HIFLO400-FSP-GB LPG COMBI</b>	7 716 120 003	United Kingdom







