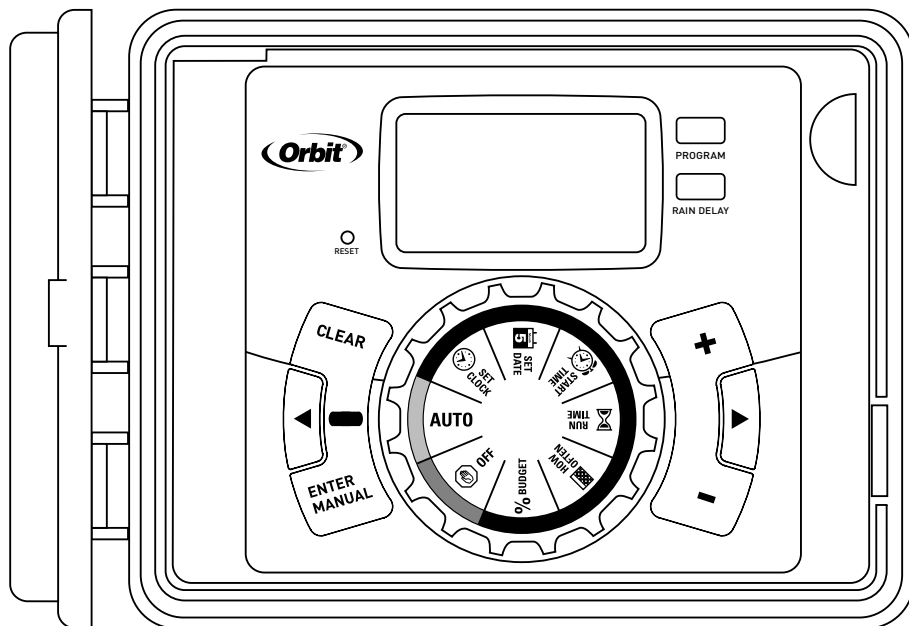


USERS MANUAL MANUEL DE L'UTILISATEUR MANUAL DEL USUARIO MANUALE D'USO INSTRUKCJA OBSŁUGI



MODELS / MODÈLES / MODELLOS
MODELLI / MODELE:
04112, 04114, 04116, 04119, 91894,
91896, 94892, 94894, 94896, 94899

PN 94894-24 rE

Congratulations on selecting your new Orbit timer! With Orbit’s exclusive Easy-Set Logic™, simple programming and setup are combined with the latest timer technology and versatility.

Your new timer provides convenience and flexibility, letting you run a fully automatic, a semi-automatic, or a manual watering program for all your watering needs. Although this timer is so easy to program that you likely will not need instructions, we recommend that you read this manual fully before installation so that you understand all of the advanced features.

Table of Contents

- Section 1:** Get to know your timer 4
- Section 2:** Installation 5
- Section 3:** Programming with Easy-Set Logic™ 9
- Section 4:** Additional Features 11
- Section 5:** Reference 13

Let the Orbit® B-hyve™ Lite app take the guess work out of programming your sprinkler timer!

Weather Alerts



Water Audit



Programming Suggestions



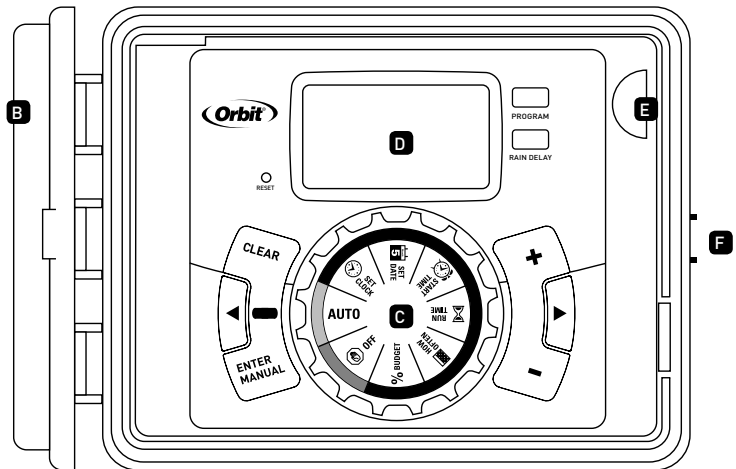
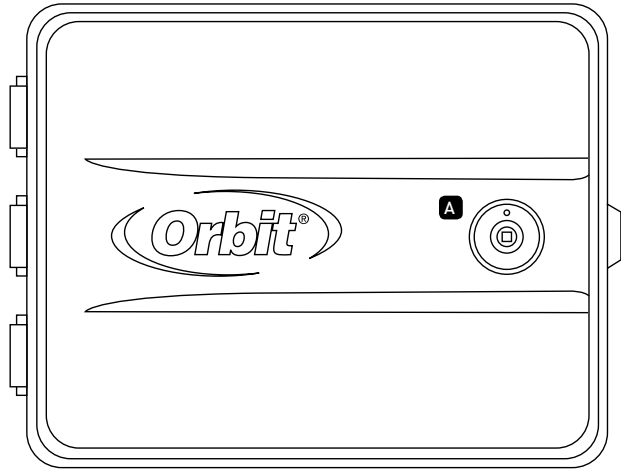
Zone Identity









THE EASY-SET LOGIC™ SPRINKLER TIMER IS NOT WIFI ENABLED. The B-hyve™ Lite app offers programming set-up and adjustment recommendations you can manually enter to potentially improve your watering performance.

Section 1: Get to know your timer

- A** Lock and latch
- B** Weather Resistant Cover
- C** Dial
- D** Digital Display
- E** Battery Compartment
- F** Swing Door panel



Buttons	Function
ENTER MANUAL	To confirm a new setting To water manually
CLEAR	To clear a setting
PROGRAM	To move to different programs: A, B, and C
ARROW [▶]	To skip to the next setting / watering station or move to other programs/settings
ARROW [◀]	To go back to the previous setting / watering station or move to other programs/settings
RAIN DELAY	To pause operation for 24-72 hours due to rain or other factors
[+]	To increase a numeric setting
[-]	To decrease a numeric setting

Dial Position	Function
AUTO	Set Program is running
 SET CLOCK	Set clock time
 SET DATE	Year, Month, and Day
 START TIME	Set time to begin watering Year, Month & Day
 RUN TIME	Set watering duration for each station
 HOW OFTEN	Set frequency of watering days
% BUDGET	Adjust overall watering as a percentage
 OFF	Turn all stations/functions off

Section 2: Installation

Required Tools

- Phillips Screwdriver
- Wire Strippers

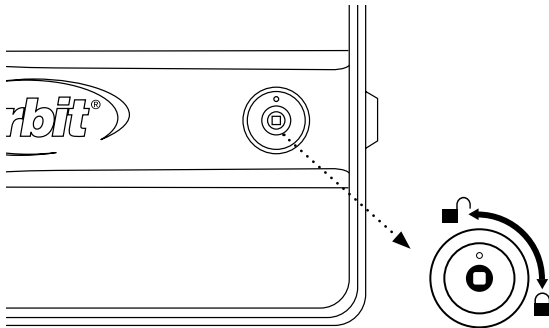
Installation Steps

1. Select a Location
2. Mount the Timer
3. Connect Valve Wires to Timer
4. Connect Electrical Power
5. Activate Battery

1. Select a Location

When choosing a location for your timer, consider the following:

- Choose location near a power source (if hard wiring) or electrical outlet (applicable only to U.S. retail timers)
- Ensure operating temperatures are not below 32° or above 158° Fahrenheit (below 0° Celsius or above 70° Celsius)
- Place it away from direct sunlight if possible
- Ensure at least 9" of space to the left of the sprinkler timer box for the door to swing open after installation
- Locate the timer where there is easy access to sprinkler wire (from valves). If mounted in an outdoor location, shut the compartment door to keep the timer safe from weather damage. To lock: insert the key and turn clockwise to the locked position



Note: Sprinkler timers are weather-resistant to UL-50 and ETL® Listings, but should not be placed in areas where continuous water could cause damage.

2. Mount the Timer

- Use the mounting template (included) to mark the mounting screw location on the wall. *See figure 1*
- Install a No. 8 screw (included) into the upper template location. Leave the screw head protruding 1/8" (3mm) from wall. Use expanding anchors (included) in plaster or masonry, if necessary, for a secure hold
- Slip the timer over protruding screw (using keyhole slot in back of timer). *See figure 2*
- Drive a No. 8 screw through one of the two pre-formed holes located in lower back cabinet. *See figure 2*

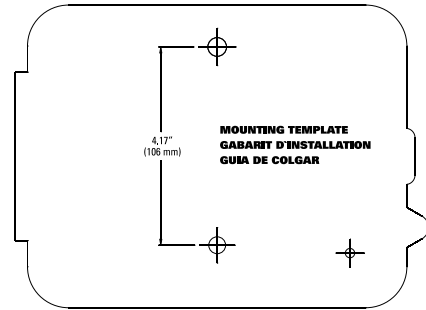


Figure 1: Use Mounting Template (included)

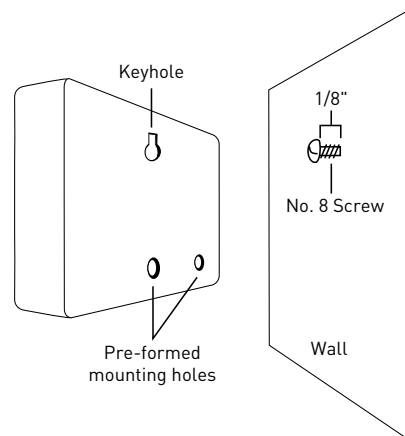


Figure 2: Hang timer on screw using keyhole

3. Connect Valve Wires to Timer

- Strip 1/2" (12 mm) of the plastic insulation off the end of each wire for both the timer wires and the valve wires
- Connect one wire from each valve (it doesn't matter which wire) to a single "Common" sprinkler wire (usually white)
- Connect the remaining wire from each valve to a separate colored sprinkler wire

See figure 3

Note: The maximum loading for each station/pump is 250mA, the maximum loading for the timer is 500mA.

If the distance between the sprinkler timer and valves is under 700' (210 m), use Orbit® sprinkler wire or 20 gauge (AWG) plastic jacketed thermostat wire to connect the sprinkler timer to the valves. If the distance is over 700' (210 m), use 16 gauge (AWG) wire.

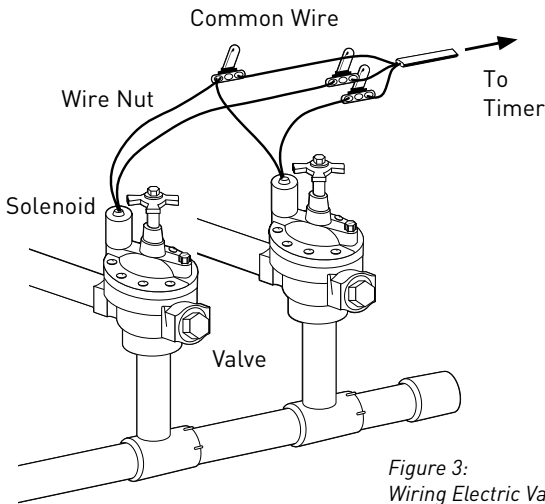


Figure 3:
Wiring Electric Valves

Important: All wires should be joined together using wire nuts, solder, and/or vinyl tape. In wet environments like a valve box it is recommended to use Orbit Grease Caps to prevent corrosion of the connection and for protection from water infiltration.

Wiring Electric Valves

Strip 1/2" (12 mm) of plastic insulation off the end of each individual wire. Each valve has two wires. One wire (it doesn't matter which one) is to be connected as the common. The

other valve wire is to be connected to the specific station wire that will control that valve. The common wires for all the valves can be connected together to one common wire going to the controller. To avoid electrical hazards, only one valve should be connected to each station. See figure 4

Important: The wire can be buried in the ground; however, for more protection wires can be pulled through PVC pipe and buried underground. Be careful to avoid burying the wires in locations where they could be damaged by digging or trenching in the future.

Your timer is equipped with the simple "push-in" terminals for easy connection. Connect common wire to the common terminal. Connect remaining wires to corresponding terminal locations.

Only connect one valve to each terminal (station)

Station 1

Strip wire

Push in

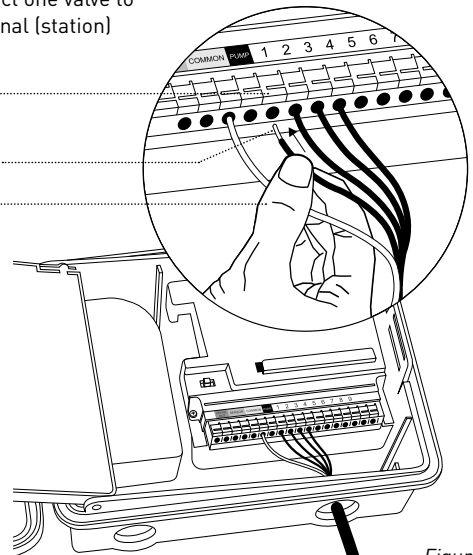
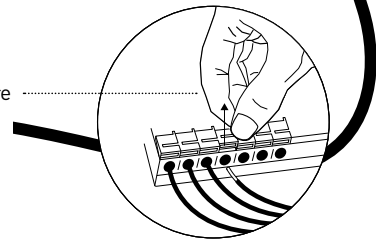


Figure 4

Push tab upward to release wire



4. Connect Electrical Power

Indoor Locations – Insert the power cord into an 110V electrical outlet.

Outdoor Locations – If a covered Ground Fault Interrupter (GFI) outlet is available, insert the power cord into the 110 volt outlet. If no outlet is available, the timer must have the wiring permanently installed [*see figure 5]

- Turn off the AC power at the AC circuit breaker and apply an appropriate safety lockout. Verify that the power has been turned off to the installation site using an AC voltmeter set for the correct measurement range.
- Use power feed wire of 14 gauge (AWG) minimum with a temperature rating of 155 degrees Fahrenheit (68 degrees Celsius) or higher.
- Install the conduit and associated fittings. Connect the AC electrical power wiring to the source by following all the right codes and local standards.
- Connect the junction box to the Timer using a 1/2" nipple (Junction box and nipple not included). [See Figure 5] Connect the source power conduit to the entrance of the junction box, following all the appropriate codes.
- Take the cord (running from the timer to the junction box) from the junction box and cut it to length. Remove the outer insulation (from cord) to expose the three wires.
- Connect the source wires to the wires extending from the sprinkler timer.
- For USA: Take care to follow the correct color code. Connect the Green for Ground, Black for Live, and White for Neutral. Often the source ground may be bare copper conductor rather than green wire.
- For Europe: Live is Brown and Neutral is Blue, there is no ground connection required. Be sure that all wires are connected to the proper source wire.
- Make sure all connections are made with code-approved insulated connectors.
- Be sure to place a weatherproof gasket and lid on the junction box.
- Turn AC power on at the AC circuit breaker.

Important: Installation Using Permanent Wiring

The sprinkler timer has a built-in transformer that must be connected to an AC line voltage source. Check the back of the sprinkler timer box for power requirements. Local building and electrical codes usually require that an approved electrical

conduit and electrical fittings be used to connect exterior wall-mounted equipment to AC power. Please check local codes. Any permanent connection should be made by a licensed electrical contractor in accordance with the requirements of the National Electrical Code and other state and local codes.

This sprinkler timer has two holes at the bottom for wire access. Use a 1/2" Nipple to connect the sprinkler timer to a standard electrical junction box. Both connector and junction box must be UL Listed or equivalent or comply with IEC or EN standards or equivalent.

The wire can be buried in the ground; however, for more protection wires should be pulled through electrical conduit and buried underground. Be careful to avoid burying the wires in locations where they could be damaged by digging or trenching in the future.

Caution: Do not connect the sprinkler timer to one phase of a three phase power system used by a pump or other electrical equipment.

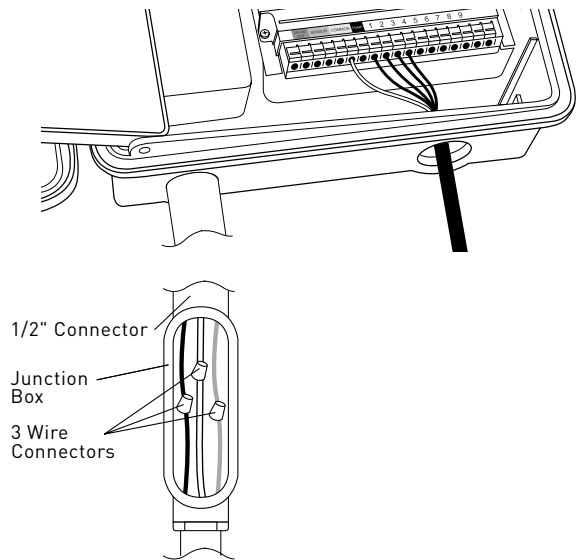


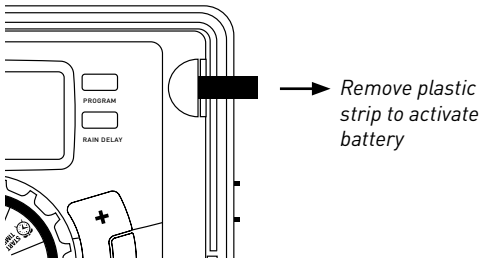
Figure 5: Using a Junction Box

Note: For outdoor applications it is recommended that a qualified electrician complete the installation in accordance with electrical codes and regulations. When used outdoors this sprinkler timer is intended for use with a Ground Fault Interrupter (GFI) protected circuit.

5. Activate Battery

One Lithium CR2032 battery (included) is required to retain the program in memory during power loss. Annual replacement is recommended.

Remove the plastic strip to activate the pre-installed battery.
(See page 12 for battery replacement)



Note: The battery alone will not operate the valves in your sprinkler system. The sprinkler timer has a built-in transformer that must be connected to an AC voltage source.

Section 3: Programming with Easy-Set Logic™

A note about multiple programs

Your sprinkler timer provides the flexibility of using 3 independent programs (A,B,C). A program is where you store all of your sprinkler settings. It consists of a group of stations set to specific start times and run times. Multiple programs allow you to run different valves on different days with different run times. While many applications only require one program (A), using multiple programs can be useful for drip areas, newly planted lawn, or rotary sprinkler stations. Using programs to group stations with similar water needs will maximize irrigation efficiency.

Primary programming can be accomplished in just a few basic steps.

Primary Programming

Press the [RESET] to clear any previous factory programming

1. Set Clock

- Turn dial to [SET CLOCK]

- Press the [+/-] buttons to set the current time of day

Tip: To increase or decrease more rapidly, hold down either the [+] or [-] buttons until the display goes into rapid advance mode.

- Press the [◀ ▶] buttons to set am/pm
- Turn dial to accept time

2. Set Date

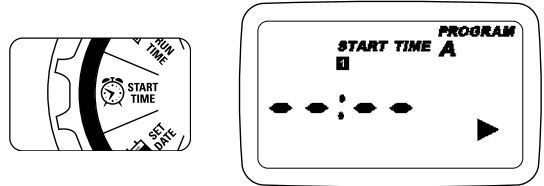
- Turn dial to [SET DATE]
- Y/M/D will appear (blinking letter indicates selection)
- Press the [+/-] buttons to set the correct year, then press [ENTER] or [◀ ▶]
- Press the [+/-] buttons to set the correct month, then press [ENTER]
- Press the [+/-] buttons to set the correct date
- Turn dial to accept date

3. Start time

- Turn dial to [START TIME]
- Press the [+/-] buttons to select time you'd like your watering to begin

(time will adjust in 15 minute increments)

The display will show



Please note that [START TIME] is the time of day that your programmed watering starts. You can set up to 4 start times. All stations that have a programmed run time (how long) will run in sequence at these times

Note: Start-Time Stacking

When a start time is set before the previous program has completed, that start time will be "stacked" or delayed, and will start upon completion of the previous program.

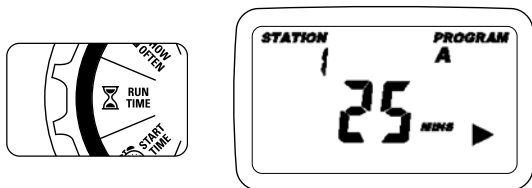
Example: Bill just planted new grass seed and wants to water three times per day. He sets START TIME 1 for 5am, START TIME 2 for 12pm, and START TIME 3 for 5 pm.

He also sets HOW OFTEN to INT (interval) EVERY 1 DAYS (see section 3, HOW OFTEN).

In AUTO mode the system will water 3 times per day. Once Bill's sod is established he can CLEAR start times 2 and 3 and return to watering just once per day.

4. Run Time

- Turn the dial to [RUN TIME]



STATION is the area that will be watered by each valve. On this screen the RUN TIME or duration for each station is set.

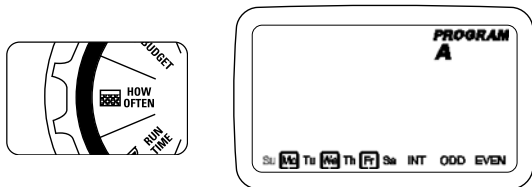
- Press the [◀ ▶] to select a station and press the [+/-] buttons to enter the watering duration for that station
- Press [ENTER] or the [◀ ▶] buttons to move to the next station/valve, and enter watering duration for each station

5. How Often

- Turn the dial to [HOW OFTEN] - this screen allows you to set how often to water.

There are 3 options provided:

1. Days of the week (Mon, Tues, Wed, etc.)
2. Intervals (Every "X" number of days)
3. Odd or Even Days



Days of the Week

- Your dial should be set to [HOW OFTEN]
 - Display will show the current program (A,B, or C)
 - Press the [◀ ▶] buttons to move from one day to another
 - Press [+] or [ENTER] to select a day for watering. A frame will appear around the selected days.
- To delete a previously entered day, press [-] or [CLEAR]

Example: Monday, Wednesday, & Friday

Intervals

- Use the [◀ ▶] buttons to move to the INTERVAL option "INT"
- Press [+/-] buttons to select the number of days between watering

Example: An interval of 1 will water every day; an interval of 3 will water every 3rd day, etc.

Odd or Even Days

- Use the [◀ ▶] buttons to move to the ODD or EVEN day watering
 - Press [+] or [ENTER]
- Selecting a different option or pressing clear will erase the previous selection

Example: Odd: 1st, 3rd, 5th, etc.

Example: Even: 2nd, 4th, 6th, etc.

Turn the dial to [AUTO] and that's it!

You have programmed your timer!

Turn dial to [AUTO] to activate your program

Note: If your program is lost, the factory installed fail-safe program will turn on each station every day for 10 minutes

Note: Your prior programming will not be disturbed unless altered. Always be aware of the program you are in (A, B, or C) when you are making changes.

Reviewing and Changing Your Program

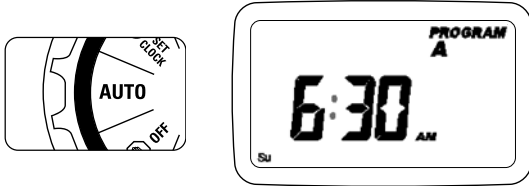
If you want to review or change the start times, run times, or how often to water, simply follow the directions again for that option. After reviewing or changing a watering schedule, remember to turn the dial back to [AUTO] for automatic operation.

Section 4: Additional Features

Rain Delay

[RAIN DELAY] allows you to delay your sprinkler timer from watering for a set period of time. Delay settings are 24, 48, and 72 hours.

- Turn dial to [AUTO]



- Press the [RAIN DELAY] button to automatically delay watering for 24 hours
- If a longer Rain Delay is desired, press the [+/-] buttons to increase or decrease the setting.
- Press [ENTER] or wait 10 seconds and the selected rain delay will begin.
- [CLEAR] button stops the rain delay and scheduled watering will resume.
- At the end of the selected rain delay amount of time, automatic watering resumes.
- While in rain delay mode, the timer display will switch between the actual time and the remaining hours of the delay, every 2 seconds

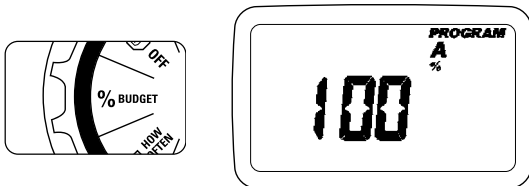
Water Budgeting

Water Budgeting is a simple way to adjust your watering duration to match seasonal watering needs. Water Budgeting works by increasing or decreasing watering duration for all stations in each program. Press the [PROGRAM] button to select the program you wish to budget.

Adjustment range is from 10% to 200% by increments of 10%. The default value is 100%. The budgeting will remain on the adjusted range until you change it.

To set budgeting:

- Turn dial to [BUDGETING]



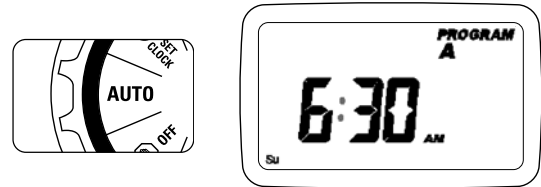
- To adjust press [+/-] buttons, press [ENTER]
- If using multiple programs (A, B, or C) Press the [PROGRAM] button to move to the desired program and make the needed adjustment

Example: Bill's watering duration is set at 60 minutes however; it is the spring time so he wants to water half as long so he sets his budgeting to 50%, his timer will now water for 30 minutes.

Manual Watering

Your timer has the ability to allow you to manually water without disturbing the preset program.

- Turn the dial to [AUTO]



- Press the [MANUAL] button. Display will show ABC and ALL. After a few seconds or by pressing [ENTER] the timer will begin manual watering
- All stations will water consecutively for their programmed duration

Note: If the run times have not been set, the timer will not initiate manual watering and the screen will return to the current time.

- To specify a specific program or stations, Press the [◀ ▶] buttons to select A, B, or C.
- Press [ENTER] to activate
- To select a specific station, continue pressing the [◀ ▶] buttons until desired station number appears
- Press the [+/-] to enter the desired duration from 1 to 240 minutes
- Wait 5 seconds and your station will begin
- To stop Manual Watering press [CLEAR]
- The timer will go back to your original automatic watering schedule

Example: To manually water on station 3 for five minutes, press the [MANUAL] button then press the [◀ ▶] buttons until you see station 3; using the [+/-] buttons, set duration to five minutes; press [ENTER].

Note: After the [MANUAL] button has been pushed, if a selection is not made within 5 seconds all stations and programs will begin watering using the programmed RUN TIMES. If no RUN TIMES have been set, nothing will happen and the display will return to the time of day.

Connecting a Rain Sensor

- Connect the rain sensor wires to the wiring terminal ports (yellow in color) labeled "Sensor"

Note: Refer to your rain sensor manual for specific wiring instructions.

- Place the sensor on/off switch to the "on" position to begin operation (see figure 6)

Rain Sensor Bypass

This sprinkler timer is equipped with a sensor override "on/off" switch. This switch is for use during maintenance and repairs, so the sprinkler timer can be operated even if the rain sensor is in active mode.

Important: If the rain sensor switch is in the "on" position and no sensor is connected, the sprinkler timer will not operate. To resume sprinkler timer operation place the switch in the off position

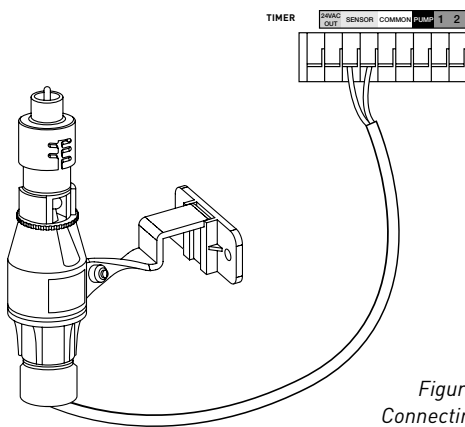


Figure 6:
Connecting a
Rain Sensor

Pump Start & Master Valve

This sprinkler timer allows a master valve or pump start relay to operate whenever a station is on.

Note: If you are activating a pump from this timer, you must purchase a Pump Start Relay. From the pump start relay (or master valve); connect one wire to the "Pump" terminal and the other wire to the "Common" terminal.

Replacing the Battery

Timer requires a CR2032 Lithium battery

- The battery will maintain your program in case of an AC power loss
- Battery should last approximately one year
- Open by sliding the battery tray out to the right
- Insert one CR2032 battery into the compartment with the + side up
- Slide back into place.

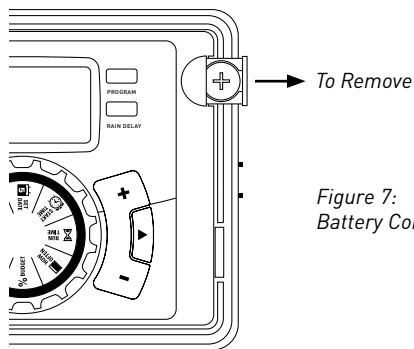


Figure 7:
Battery Compartment

A weak or missing battery can cause the time, date, and program to be erased after a power failure. If this happens, you will need to install a fully charged battery and reprogram the timer.

Tip: Replace battery every year, to avoid loss of programming

Note: A battery alone will not operate the valves in your sprinkling system. The sprinkler timer has a built-in transformer that must be connected to an AC line voltage source.

Section 5: Reference

TERM	DEFINITION
START TIME	The time the program begins watering the first programmed station.
VALVE	Supplies water to a specific station or area. The opening and closing of the valve is accomplished through electrical current supplied by the sprinkler timer.
MASTER VALVE	Typically located at the main water source. Turns on and off water for the entire irrigation system when not in use.
MULTIPLE START TIMES	A controller feature that allows a program to be operated multiple times on the same watering day.
OVERLAPPING PROGRAMS	When a "Start Time" is set for a program before the previous program has completed.
PROGRAM (A, B, OR C)	Individual programs as set by the user. Each program operates independently. If one program overlaps the other the programs will be "stacked." After the first program finishes the next program will begin.
RAIN DELAY	A feature that postpones the running of a scheduled watering program for a specific duration.
SOLENOID	The electrical part on an irrigation valve that opens and closes the valve.
SPRINKLER TIMER	A device which instructs the station valves to operate.
STATION	A grouping of sprinklers operated by a single valve which is controlled by the timer.
WATERING BUDGETING	Adjusts your overall watering program as a percentage of total watering duration.

Troubleshooting

PROBLEM	POSSIBLE CAUSE
One or more valves do not turn on	1. Faulty solenoid connection
	2. Wire damaged or severed
	3. Flow control stem screwed down, shutting valve off
	4. Programming is incorrect
Stations turn on when they are not supposed to	1. Water pressure is too high
	2. More than one start time is programmed
	3. AM/PM is incorrect
One station is stuck on and will not shut off	1. Faulty valve
	2. Particles of dirt or debris stuck in valve
	3. Valve diaphragm faulty
All valves do not turn on	1. Transformer defective or not connected
	2. Programming is incorrect
Timer will not power up	1. Transformer not plugged into a working outlet
Valves continue to turn on and off when they are not programmed	1. More than one start time is programmed with overlapping schedules
	2. Excessive pressure

HELP

1-800-488-6156 or 1-801-299-5555

www.orbitonline.com

Before returning this sprinkler timer to the store, contact Orbit® Technical Service at: 1-800-488-6156, 1-801-299-5555 Listings

LISTINGS

The sprinkler timer is tested to UL-50 standard & is ETL® listed.

Appropriate international models are CSA® and CE® approved.

This Class B digital apparatus complies with Canadian ICES-003.

Disconnection : Type 1Y

Normal Pollution Situation.

The supply cord of this control can be replaced only by the manufacturer or his accredited service agent.

TRADEMARK NOTICE

WaterMaster® is a registered trademark of Orbit® Irrigation Products, Inc. The information in this manual is primarily intended for the user who will establish a watering schedule and enter that schedule into the sprinkler timer. This product is intended to be used as an automatic sprinkler timer for activating 24 VAC irrigation valves, as described in this manual.

WARRANTY AND STATEMENT

Orbit® Irrigation Products, Inc. warrants to its customers that its products will be free from defects in materials and workmanship for a period of 2 years from the date of purchase.

We will replace, free of charge, the defective part or parts found to be defective under normal use and service for a period of up to 2 years after purchase (proof of purchase required).

We reserve the right to inspect the defective part prior to replacement.

Orbit® Irrigation Products, Inc. will not be responsible for consequential or incidental cost or damage caused by the product failure. Orbit® liability under this warranty is limited solely to the replacement or repair of defective parts.

To exercise your warranty, return the unit to your dealer with a copy of the sales receipt.

This device complies with Part 15 of the FCC Rules. Operation is subject to the following two conditions: (1) This device may not cause harmful interference, and (2) This device must accept any interference received, including interference that may cause undesired operation.

Warning: Changes or modifications to this unit not expressly approved by the party responsible for compliance could void the user's authority to operate the equipment.

NOTE: This equipment has been tested and found to comply with the limits for a Class B digital device, pursuant to Part 15 of the FCC Rules. These limits are designed to provide reasonable protection against harmful interference in a residential installation. This equipment generates, uses and can radiate radio frequency energy and, if not installed and used in accordance with the instructions, may cause harmful interference to radio communications. However, there is no guarantee that interference will not occur in a particular installation.

If this equipment does cause harmful interference to radio or television reception, which can be determined by turning the equipment off and on, the user is encouraged to try to correct the interference by one or more of the following measures:

- Reorient or relocate the receiving antenna.
- Increase the separation between the equipment and receiver.
- Connect the equipment into an outlet on a circuit different from that to which the receiver is connected.
- Consult the dealer or an experienced radio/TV technician for help.

Caution: This appliance is not intended for use by young children or infirm persons without supervision. Young children should be supervised to ensure that they do not play with the appliance.

Nous vous félicitons d'avoir fait l'acquisition de cette nouvelle minuterie Orbit! Grâce à l'appareil Easy-Set Logic™, exclusivité d'Orbit, qui combine la polyvalence de la minuterie et la plus récente technologie, la programmation et le réglage deviennent encore plus faciles.

Cette minuterie est pratique et flexible et vous offre un choix de programmes entièrement automatiques, semi-automatiques ou manuels convenant à tous vos besoins d'arrosage. Même si cette minuterie est si facile à régler que vous n'aurez probablement pas besoin d'instructions pour la faire fonctionner, nous vous recommandons de lire entièrement le présent manuel avant d'installer l'appareil pour que vous compreniez bien toutes ses caractéristiques de pointe.

Table des matières

Section 1 : Connaître votre minuterie	18
Section 2 : Installation	19
Section 3 : Programmation avec Easy-Set Logic™	23
Section 4 : Caractéristiques supplémentaires	25
Section 5 : Références	28

Laissez l'application Orbit® B-hyve™ Lite prendre en charge la programmation de votre minuterie d'arrosage!

Alertes météo



Contrôle de l'arrosage

Suggestions de programmation

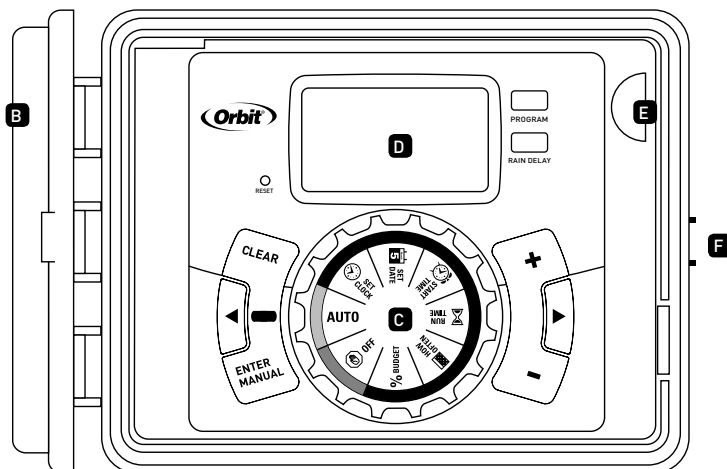
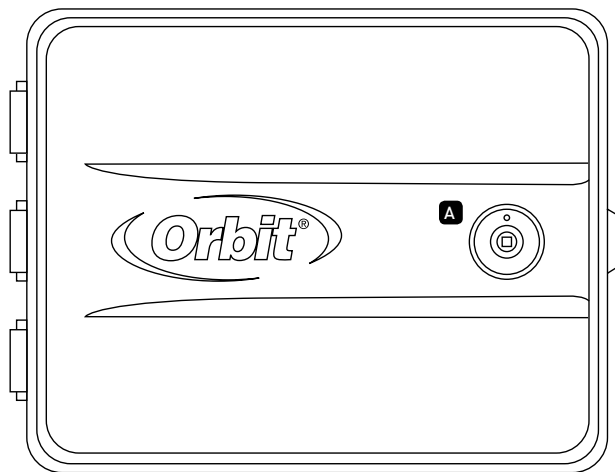


Identification de zone





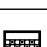
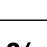
LA MINUTERIE D'ARROSAGE EAST-SET LOGIC™ N'EST PAS ACTIVÉE PAR WIFI. L'application B-hyve™ Lite offre des recommandations de configuration et d'ajustement de programmation que vous pouvez saisir manuellement pour améliorer votre performance d'arrosage.

Section 1: Connaître votre minuterie

- A** Verrou
- B** Couvercle résistant aux intempéries
- C** Cadran de sélection
- D** Affichage numérique
- E** Compartiment de la pile
- F** Panneau de porte pivotant



Bouton	Fonction
ENTER MANUAL	Pour confirmer un nouveau réglage pour arroser manuellement
CLEAR	Pour effacer un réglage
PROGRAM	Pour changer de programme : A, B et C
FLÈCHE [▶]	Pour passer à la fonction de réglage ou à la zone d'arrosage suivante, ou pour changer de programme ou de fonction de réglage
FLÈCHE [◀]	Pour passer à la fonction de réglage ou à la zone d'arrosage suivante, ou pour changer de programme ou de fonction de réglage
RAIN DELAY	TPour interrompre l'arrosage pendant 24 à 72 heures en raison de la pluie ou d'autres facteurs
[+]	Pour augmenter la valeur numérique d'un réglage
[-]	Pour diminuer la valeur numérique d'un réglage

Position du cadran de sélection	Fonction
AUTO	Le programme réglé est en fonction
 SET CLOCK	Pour régler l'horloge
 SET DATE	Année, mois et jour
 START TIME	Réglage de l'heure de départ du cycle d'arrosage
 RUN TIME	Réglage de la durée d'arrosage de chaque zone
 HOW OFTEN	Réglage de la fréquence des jours d'arrosage
% BUDGET	Ajustement en pourcentage de l'arrosage général
 OFF	Arrêt de l'arrosage de toutes les zones ou des fonctions d'arrosage

Section 2: Installation

Outils nécessaires

- Tournevis cruciforme
- Pincettes à dénuder

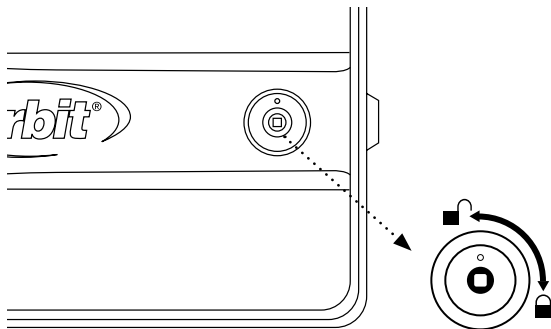
Étapes d'installation

1. Choisir un emplacement
2. Installer la minuterie
3. Raccorder les fils de la vanne à la minuterie
4. Brancher l'alimentation électrique
5. Activer la pile

1. Choisissez un emplacement.

Lorsque vous choisissez l'emplacement de votre minuterie, tenez compte des éléments suivants :

- Choisissez un endroit près d'une source d'alimentation électrique (si vous reliez le système par câble) ou d'une prise électrique (uniquement pour les minuteries vendues au détail aux États-Unis).
- Assurez-vous que la température de fonctionnement ne se situe pas sous 0 degré Celsius ou au-dessus de 70 degrés Celsius.
- Placez si possible votre minuterie à l'écart des rayons directs du soleil.
- Laissez au moins 23 cm d'espace à gauche du boîtier de la minuterie pour pouvoir ouvrir la porte après l'installation.
- Installez la minuterie dans un endroit où vous pourrez facilement avoir accès aux fils provenant des électrovannes. Si la minuterie est installée à l'extérieur, fermez la porte du boîtier pour protéger la minuterie des intempéries. Pour verrouiller : insérez la clé et tournez-la dans le sens des aiguilles d'une montre jusqu'à la position de verrouillage.



Remarque : Les minuteries d'arrosage sont homologuées UL-50 et ETL® pour la résistance aux intempéries, mais elles ne devraient pas être installées dans un endroit continuellement en contact avec de l'eau, car elles risqueraient de subir des dommages.

2. Installer la minuterie

- À l'aide du gabarit d'installation (inclus), marquez l'emplacement des vis de montage sur le mur. Consultez la figure 1.
- Vissez la vis de calibre 8 (incluse) dans le mur à l'emplacement du trou supérieur du gabarit. Laissez la tête de la vis dépasser de 3 mm du mur. Au besoin, pour que la vis soit solidement en place, utilisez des ancrages à expansion (inclus) dans du plâtre ou de la maçonnerie.
- Glissez la minuterie sur la vis qui dépasse (dans l'encoche en forme de trou de serrure au dos de la minuterie). Consultez la figure 2.
- Vissez une vis de calibre 8 dans un des deux trous déjà perforés situés dans la partie inférieure du dos du boîtier. Consultez la figure 2.

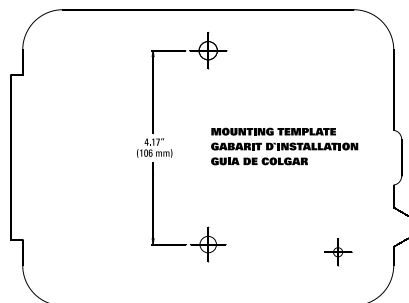


Figure 1 : Servez-vous du gabarit d'installation (inclus).

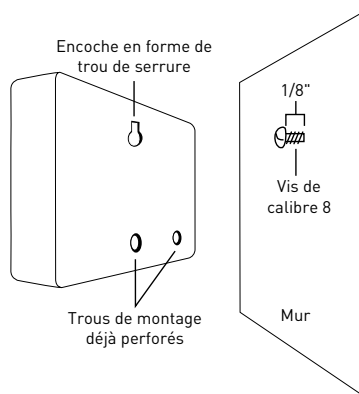


Figure 2 : Accrochez la minuterie au mur en insérant la vis dans l'encoche en forme de trou de serrure.

3. Raccordez les fils de la vanne à la minuterie.

- Dénudez 12 mm (1/2 po) à l'extrémité de chaque fil arrivant dans la minuterie et à l'extrémité des fils arrivant au niveau des vannes
- Raccordez un fil de chaque vanne (peu importe lequel) à un seul fil provenant de la minuterie qui servira de neutre (généralement un fil blanc).
- Raccordez un fil de couleur à chacun des fils de vanne restants.

Consultez la figure 3.

Remarque : Si la distance entre la minuterie d'arrosage et les vannes est inférieure à 210 m (700 pi), utilisez du câble Orbit® ou du câble à double isolation de section 1 mm² pour brancher les vannes à la minuterie d'arrosages. Si la distance est supérieure à 210 m (700 pi), utilisez du fil de section 1,5 mm².

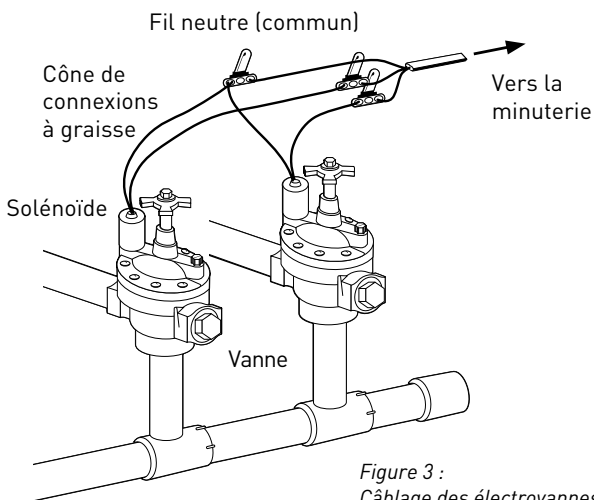


Figure 3 :
Câblage des électrovannes

Important : Raccordez tous les fils à l'aide de serre-fils, de brasure (soudure) et/ou de ruban rétractable en vinyle. Dans un environnement humide comme un regard de vannes, nous vous recommandons d'utiliser des cônes de connexions à graisse Orbit pour prévenir la corrosion de la connexion et la protéger des infiltrations d'eau.

Câblage des électrovannes

Dénudez 12 mm (1/2 po) à l'extrémité de chaque fil. Chaque vanne est munie de deux fils. Vous devez utiliser un des fils

(peu importe lequel) comme conducteur neutre. L'autre fil de vanne doit être raccordé au fil de la zone qui contrôlera cette vanne. Les fils neutres de toutes les vannes peuvent être raccordés ensemble à un seul fil neutre branché à la minuterie. Pour éviter des problèmes électriques, raccordez une seule vanne à chaque zone. Consultez la figure 4.

Important : Vous pouvez enterrer le câble. Pour une protection supplémentaire, vous pouvez toutefois l'insérer dans un tuyau en PVC avant de l'enterrer. Évitez d'enterrer le fil là où il pourrait éventuellement être endommagé par une creuse ultérieure.

Votre minuterie est munie de simples bornes serre-fils pour faciliter le raccordement. Raccordez le fil neutre à la borne commune. Raccordez les fils restants aux bornes correspondantes.

Ne raccordez qu'une seule vanne à chacune des bornes (zone).

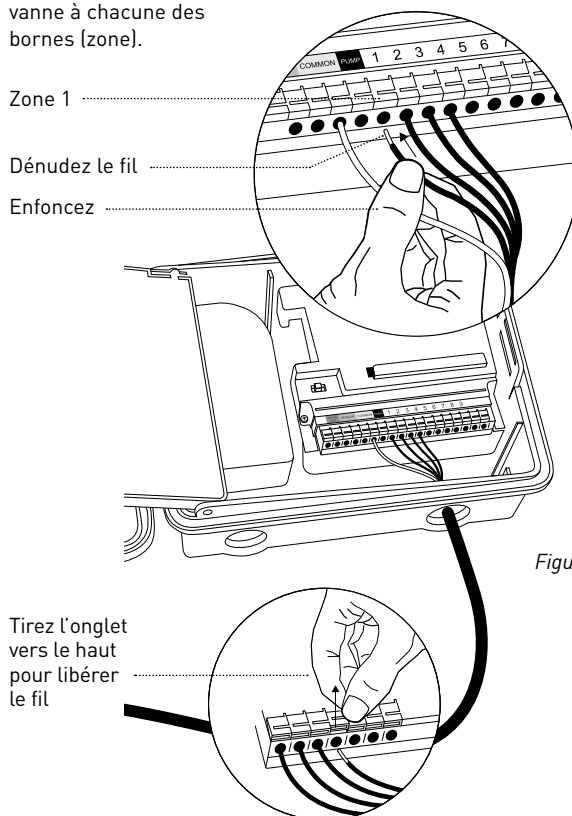


Figure 4

4. Branchez l'alimentation électrique.

Emplacement à l'intérieur – insérez la fiche du cordon d'alimentation dans une prise murale de 230 V.

Emplacement à l'extérieur – si une prise protégée par un disjoncteur de fuite à la terre est disponible, insérez la fiche du cordon d'alimentation dans la prise de 230 V. Si aucune prise n'est disponible, vous devez raccorder le câblage de la minuterie de façon permanente (*consultez la figure 5)

- Coupez l'alimentation en c.a. à partir du disjoncteur c.a. et verrouillez le panneau de façon sécuritaire. À l'aide d'un voltmètre alternatif réglé à la bonne plage de lecture, vérifiez que le courant a bien été coupé sur le site d'installation.
- Utilisez un fil d'alimentation électrique d'un calibre d'au moins 1 mm² pouvant résister à une température d'au moins 68 degrés Celsius (155 degrés Fahrenheit).
- Installez le conduit et les raccords nécessaires. Raccordez le fil d'alimentation électrique c.a. à la source d'alimentation électrique en vous conformant à tous les codes appropriés et à toutes les normes locales.
- Raccordez la boîte de jonction à la minuterie à l'aide d'une tige filetée de 1,27 cm (1/2 po) (la boîte de jonction et la tige filetée ne sont pas incluses). [Consultez la figure 5.] Raccordez le conduit de la source d'alimentation électrique à l'entrée de la boîte de jonction en vous conformant à tous les codes appropriés.
- Coupez le cordon de la boîte de jonction à la longueur appropriée (allant de la minuterie à la boîte de jonction). Retirez l'enveloppe isolante (du cordon) pour exposer les trois fils.
- Raccordez les fils de la source d'alimentation à ceux sortant de la minuterie d'arrosage.
- Pour les États-Unis : Assurez-vous de vous conformer au bon code de couleur. Raccordez le fil vert pour la mise à la terre, le noir pour la mise sous tension et le blanc pour le neutre. La mise à la terre de la source d'alimentation est souvent un conducteur en cuivre dénudé au lieu d'être un fil vert.
- Pour l'Europe : La mise sous tension est un fil brun et le neutre est bleu. Aucun fil de mise à la terre n'est exigé. Assurez-vous que tous les fils sont raccordés au bon fil de l'alimentation électrique.
- Assurez-vous que tous les raccordements sont faits avec des capuchons de connexion isolés et conformes aux prescriptions.

- Assurez-vous également d'installer sur la boîte de jonction un joint d'étanchéité et un couvercle à l'épreuve des intempéries.
- Rétablissez le courant c.a. à partir du disjoncteur c.a.

Important: Installation à l'aide d'un câblage permanent

La minuterie d'arrosage est munie d'un transformateur qui doit être raccordé à une source de tension de c.a. Consultez le dos du boîtier de la minuterie d'arrosage pour connaître les exigences en matière d'électricité. Les prescriptions électriques et du bâtiment exigent normalement qu'un conduit électrique approuvé et que des raccords électriques soient utilisés pour raccorder à un c.a. un appareil installé sur un mur extérieur. Veuillez vous reporter à la réglementation locale. Tout raccordement permanent doit être exécuté par un électricien agréé qui respectera les exigences du code national de l'électricité et des autres codes nationaux et locaux.

La minuterie pour arroseur est munie de deux trous au bas pour l'accès aux fils. À l'aide d'une tige filetée de 1,27 cm (1/2 po), raccordez la minuterie d'arrosage à une boîte de jonction électrique ordinaire. Le connecteur et la boîte de jonction doivent être homologués UL, ou l'équivalent, ou doivent être conformes aux normes IEC ou EN ou l'équivalent.

Vous pouvez enterrer le fil. Pour une protection supplémentaire, vous pouvez toutefois l'insérer dans un tuyau en PVC avant de l'enterrer. Évitez d'enterrer le fil là où il pourrait éventuellement être endommagé par une creuse ultérieure.

Mise en garde : Ne raccordez pas la minuterie d'arrosage à une des phases d'un réseau électrique triphasé utilisé pour une pompe ou un autre appareil électrique.

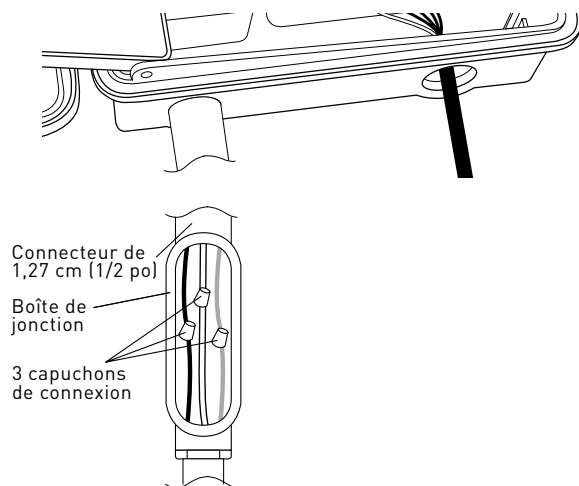


Figure 5: Utilisation d'une boîte de jonction

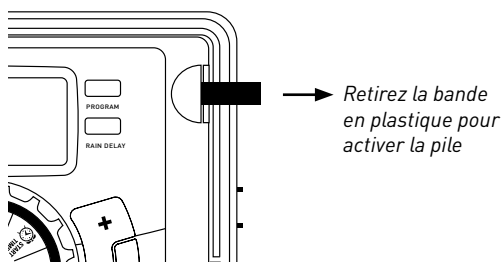
Remarque : Pour une installation extérieure, nous vous recommandons de faire appel à un électricien qualifié pour procéder à l'installation conformément aux codes et aux règlements électriques. Lorsque vous installez cette minuterie pour arroseur à l'extérieur, utilisez uniquement un circuit protégé par un disjoncteur de fuite à la terre.

5. Activez la pile.

Vous devez utiliser une pile au lithium CR2032 (incluse) pour garder en mémoire le programme lors d'une panne de courant. Nous vous recommandons de remplacer la pile annuellement.

Retirer la bande en plastique pour activer la pile déjà en place.

(Consultez la page 12 pour le remplacement de la pile.)



Retirez la bande en plastique pour activer la pile

Remarque : La pile ne fera pas fonctionner à elle seule les vannes de votre système d'arrosage. La minuterie d'arrosage est munie d'un transformateur qui doit être raccordé à une source de courant alternatif.

Section 3: Programmation avec Easy-Set Logic™

Remarque au sujet des programmes multiples

Votre minuterie vous offre la possibilité d'utiliser trois programmes indépendants (A, B et C). Un programme est une mémoire où vous conservez tous vos réglages d'arroseur. Il est composé d'un groupe de zones pour lequel des heures de départ et de durée d'arrosage précises ont été réglées. Les multiples programmes vous permettent de faire fonctionner différentes vannes selon certains jours et pour diverses durées. Même si la plupart des utilisations ne nécessitent qu'un seul programme (A), vous pouvez utiliser les multiples programmes pour arroser certains endroits, de la pelouse nouvellement installée ou des zones comportant un arroseur

rotatif. En utilisant les programmes pour regrouper les zones ayant des besoins en eau semblables, vous maximiserez l'efficacité de votre irrigation.

Vous pouvez régler le programme principal de l'appareil en effectuant quelques étapes faciles.

Programme principal

Pour effacer la programmation par défaut précédente, appuyez sur le bouton de réinitialisation (RESET).

1. Réglage de l'horloge

- Tournez le cadran de sélection à la position [SET CLOCK]
- Pour entrer l'heure courante, appuyez sur les boutons [+/-].

Conseil : Pour avancer ou reculer plus rapidement, maintenez le bouton [+] ou [-] enfoncé jusqu'à ce que l'affichage passe au mode d'avancement rapide.

- Appuyez sur les flèches [◀ ▶] pour indiquer s'il s'agit du matin ou l'après-midi.
- Pour accepter l'heure, tournez le cadran de sélection.

2. Réglage de la date

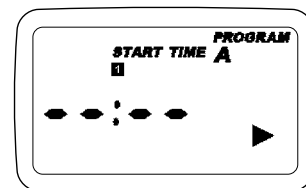
- Tournez le cadran de sélection à la position [SET DATE]
- Y/M/D s'afficheront (A/M/J/) (la lettre clignotante indique la sélection).
- Utilisez les boutons [+/-] pour régler l'année et appuyez sur le bouton [ENTER] ou les flèches [◀ ▶].
- Utilisez les boutons [+/-] pour régler le mois et appuyez sur le bouton [ENTER].
- Utilisez les boutons [+/-] pour régler le jour du mois.
- Pour accepter la date, tournez le cadran de sélection.

3. Heure de départ

- Tournez le cadran de sélection à la position [START TIME].
- Pour sélectionner l'heure à laquelle vous désirez que l'arrosage débute, utilisez les boutons [+/-].

(l'heure se règle aux 15 minutes près).

L'écran affichera :



Veillez noter que l'heure de départ (START TIME) est l'heure à laquelle votre arrosage programmé débute. Vous pouvez programmer jusqu'à quatre heures de départ différentes. Toutes les zones ayant une durée de l'arrosage (RUN TIME) programmée seront arrosées selon l'ordre de ces heures de départ.

Remarque : Superposition des heures de départ

Lorsque vous réglez une mise en marche pour qu'elle commence avant la fin d'un programme, l'heure de départ sera « superposée » ou reportée. Ainsi, cette mise en marche ne commencera qu'après la fin du programme précédent.

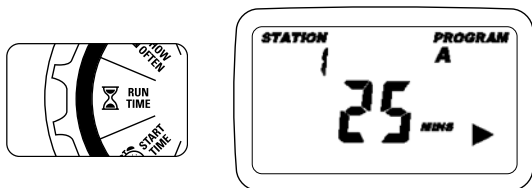
Par exemple, Bill vient de poser de la nouvelle pelouse et désire l'arroser trois fois par jour. Il règle l'heure de départ 1 (START TIME) à 5 heures, l'heure de départ 2 à midi et l'heure de départ 3 à 17 heures.

Il programme également la fréquence de l'arrosage (HOW OFTEN) à INT (intervalle) tous les jours (EVERY 1 DAYS) (consultez la section 5, Fréquence de l'arrosage).

En mode AUTO, le système arrosera trois fois par jour. Une fois que la pelouse de Bill est bien enracinée, il peut effacer (CLEAR) les heures de départ 2 et 3 : ainsi, l'arrosage se fera une fois par jour comme auparavant.

4. Durée de l'arrosage

- Tournez le cadran de sélection à la position [RUN TIME].



Une ZONE est l'endroit qui est arrosé par une vanne. Sur cette illustration, l'écran affiche le réglage de la durée de l'arrosage (RUN TIME) de chacune des zones.

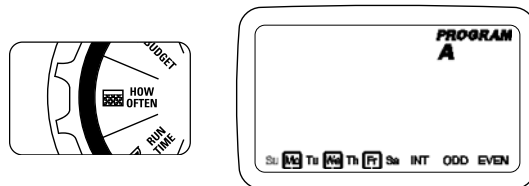
- Appuyez sur les flèches [◀ ▶] pour choisir une zone et sur les boutons [+/-] pour entrer la durée d'arrosage de cette zone.
- Appuyez sur ENTRÉE ou sur les flèches [◀ ▶] pour changer de zone ou de vanne. Entrez ensuite la durée d'arrosage de chacune des zones.

5. Fréquence de l'arrosage

- Tournez le cadran de sélection à HOW OFTEN : cette fonction vous permet de régler la fréquence à laquelle vous désirez arroser.

Vous pouvez choisir entre trois options :

1. Jours de la semaine (lundi, mardi, mercredi, etc.);
2. Intervalles (tous les x jours);
3. Jours impairs ou pairs.



Jours de la semaine

- Tournez le cadran de sélection à la position HOW OFTEN.
 - Cette option clignotera pour indiquer votre choix.
 - L'écran affichera la lettre du programme (A, B ou C).
 - Pour passer d'un jour à l'autre parmi les options, appuyez sur les flèches [◀ ▶].
 - Pour choisir un jour d'arrosage, appuyez sur le bouton [+] ou [ENTER].
- Pour supprimer un jour précédemment sélectionné, appuyez sur le bouton [-] ou [CLEAR].

Par exemple, lundi, mercredi et vendredi.

Intervalles

- Pour passer à l'option « INT », INTERVALLE, utilisez les flèches [◀ ▶].
- Pour sélectionner le nombre de jours entre les périodes d'arrosage, appuyez sur les boutons [+/-].

Par exemple, un intervalle de 1 déclenche l'arrosage tous les jours; un intervalle de 3, tous les trois jours, etc.

Jours impairs ou pairs

- Pour passer à l'arrosage un jour impair (ODD) ou pair (EVEN), utilisez les flèches [◀ ▶].
 - Une fois que vous avez réglé à ODD ou à EVEN, appuyez sur le bouton [+] ou [ENTER].
- Si vous sélectionnez une option différente ou que vous appuyez sur le bouton CLEAR, vous effacerez votre choix précédent.

Exemple de jours impairs :

1er jour du mois, 3e jour, 5e jour, etc.

Exemple de jours pairs :

2e jour du mois, 4e jour, 6e jour, etc.

Pour terminer, tournez le cadran de sélection à la position AUTO. Voilà! Vous avez réglé votre minuterie d'arrosage!

Tournez le cadran de sélection à AUTO pour exécuter votre programme.

Remarque : Si votre programme est effacé, la programmation par défaut à sécurité intégrée déclenchera l'arrosage de chaque zone pendant dix minutes chaque jour.

Remarque : Votre programme principal ne sera pas perturbé à moins d'être modifié. Lorsque vous apportez des modifications à un programme (A, B ou C), sachez toujours dans lequel vous trouvez.

Révision et modification de votre programme

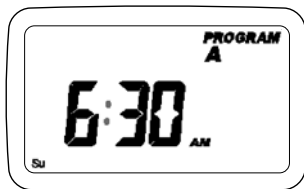
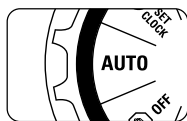
Si vous désirez revoir ou modifier les heures de départ, les durées ou les fréquences d'arrosage, suivez tout simplement les instructions relatives à ces options. Après avoir passé en revue ou modifié un horaire d'arrosage, n'oubliez pas de remettre le cadran de sélection à la position AUTO pour un fonctionnement automatique.

Section 4: Caractéristiques supplémentaires

Interruption en cas de pluie

La fonction d'interruption en cas de pluie de votre minuterie pour arroseur vous permet d'interrompre l'arrosage pendant certaines périodes de temps. Les réglages d'interruption sont de 24, 48 et 72 heures.

- Tournez le cadran de sélection à la position [AUTO].



- Pour arrêter automatiquement l'arrosage pendant 24 heures, appuyez sur le bouton RAIN DELAY.
- Si vous désirez une interruption d'arrosage plus longue, appuyez sur les flèches [+/-] pour augmenter ou diminuer le nombre d'heures.
- Appuyez ensuite sur [ENTER] ou attendez pendant 10 secondes : la période d'interruption en cas de pluie sélectionnée débutera.
- Le bouton [CLEAR] arrête la fonction d'interruption d'arrosage en cas de pluie et l'arrosage revient à la fonction programmée.
- À la fin de la période sélectionnée d'interruption en cas

de pluie, l'arrosage automatique reprend.

- En mode d'interruption en cas de pluie, les heures restantes seront affichées toutes les deux secondes en alternance avec l'heure courante.

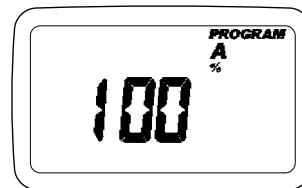
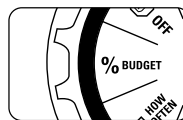
Budgétisation de l'eau

La budgétisation de l'eau constitue une manière simple de régler la durée d'arrosage en fonction des besoins saisonniers d'arrosage. Elle permet d'augmenter ou de diminuer la durée d'arrosage de toutes les zones de chacun des programmes. Pour choisir le programme que vous désirez budgétiser, appuyez sur le bouton PROGRAM.

La plage d'ajustement s'étend de 10 % à 200 %, par échelon de 10 %. La valeur par défaut est 100 %. La BUDGÉTISATION demeurera au pourcentage choisi jusqu'à ce que vous le modifiez.

Pour régler la budgétisation :

- Tournez le cadran de sélection à la position [BUDGET].



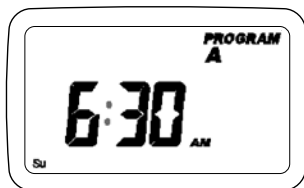
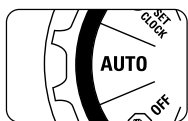
- Pour ajuster au pourcentage désiré, appuyez sur les boutons [+/-], puis sur [ENTER].
- Si vous utilisez plusieurs programmes (A, B ou C), appuyez sur le bouton PROGRAM pour vous rendre dans le programme désiré et apporter les ajustements nécessaires.

Par exemple, Bill a réglé la durée d'arrosage à 60 minutes. Cependant, comme c'est le printemps, il désire arroser la moitié moins de temps. Il règle donc sa BUDGÉTISATION à 50 %; sa minuterie permet maintenant l'arrosage pendant 30 minutes

Arrosage manuel

Votre minuterie est munie d'une fonction qui vous permet d'arroser manuellement sans modifier un programme pré-réglé.

- Tournez le cadran de sélection à la position [AUTO].



- Appuyez sur le bouton [MANUAL]. L'écran affichera ABC et ALL (tout). Quelques secondes plus tard ou après que vous aurez appuyé sur ENTER, la minuterie fera commencer l'arrosage manuel.
- Toutes les zones seront consécutivement arrosées selon la durée programmée pour chacune d'elles.

Remarque : Si vous n'avez pas réglé les durées de l'arrosage (RUN TIME), la minuterie n'initiera pas l'arrosage manuel et l'écran n'affichera que l'heure courante.

- Pour spécifier un programme ou une zone en particulier, appuyez sur les flèches [◀ ▶] et choisissez le programme A, B ou C.
- Appuyez sur le bouton [ENTER] pour activer.
- Pour sélectionner une zone en particulier, appuyez sur les [◀ ▶] sans les relâcher jusqu'à ce que le numéro de la zone désirée s'affiche.
- Pour entrer la durée de l'arrosage de 1 à 240 minutes, appuyez sur les boutons [+/-].
- Attendez cinq secondes : l'arrosage de votre zone débutera.
- Pour supprimer l'arrosage manuel, appuyez sur le bouton [CLEAR].
- La minuterie retournera à votre horaire d'arrosage automatique initial.

Par exemple, pour arroser manuellement la zone 3 pendant cinq minutes, appuyez sur la touche [MANUAL]. Appuyez ensuite sur les flèches [◀ ▶] jusqu'à ce que vous voyiez la zone 3. À l'aide des boutons [+/-], réglez la durée d'arrosage manuel à cinq minutes et appuyez sur le bouton [ENTER].

Remarque : Si vous n'effectuez pas de sélection cinq secondes après avoir appuyé sur le bouton [MANUAL], tous les programmes commenceront l'arrosage de toutes les zones selon les durées de l'arrosage (RUN TIME) réglées. Si vous

n'avez pas réglé de durée de l'arrosage, aucun arrosage ne débutera et l'écran n'affichera que l'heure courante.

Raccorder un détecteur de pluie

- Raccordez les fils du détecteur de pluie en les insérant dans les bornes (jaunes) étiquetées « Sensor » (consultez la figure 6).

Remarque : Consultez le manuel de votre détecteur de pluie pour connaître les instructions particulières sur le câblage.

- Pour faire fonctionner votre détecteur, placez son interrupteur en position de marche.

Dérivation du détecteur de pluie

Votre minuterie pour arroseur est pourvue d'un interrupteur marche/arrêt pour outrepasser le détecteur. Cet interrupteur sert lors des entretiens et des réparations : il permet à la minuterie pour arroseur de fonctionner même si le détecteur de pluie est en mode actif.

IMPORTANT: Si l'interrupteur est en position de marche et qu'aucun détecteur n'est branché, la minuterie pour arroseur ne fonctionnera pas. Pour faire fonctionner votre minuterie de nouveau, placez l'interrupteur en position d'arrêt.

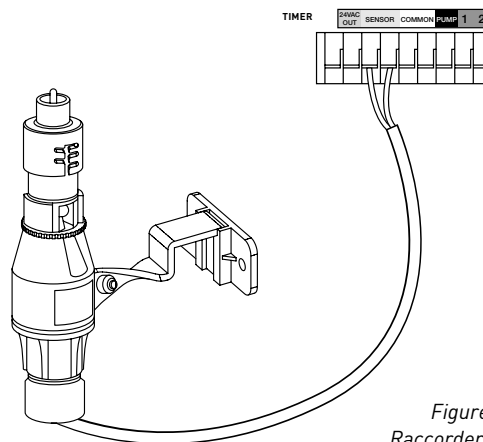


Figure 6:
Raccorder un détecteur de pluie

Mise en marche de la pompe et vanne principale

Cette minuterie d'arrosage permet à une vanne principale ou au relais de démarrage d'une pompe de fonctionner même lors de l'arrosage d'une zone.

Remarque : Si vous mettez en marche une pompe à partir de cette minuterie, vous devez vous procurer un relais de démarrage de pompe. Sur le relais de démarrage de la pompe (ou de la vanne principale), raccordez un fil dans la borne « PUMP » et l'autre dans la borne « COMMON ».

CHANGEMENT DE LA PILE

La minuterie nécessite une pile au lithium CR2032 pour fonctionner.

- La pile permettra de garder votre programme en mémoire en cas de panne de courant alternatif.
- La pile devrait durer environ un an.
- Ouvrez le compartiment de la pile en faisant glisser le plateau vers la droite.
- Insérez dans le compartiment une pile CR2032, le côté + vers le haut.
- Remettez en place le plateau.

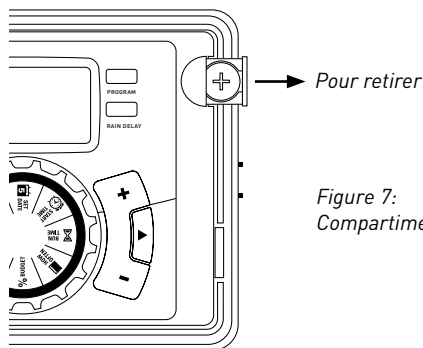


Figure 7:
Compartiment de la pile

Si la pile est faible ou manquante, l'heure, la date et le programme risquent d'être supprimés à la suite d'une panne de courant. En ce cas, vous devrez installer une pile entièrement chargée et régler de nouveau la minuterie.

Conseil : Remplacez la pile tous les ans : vous éviterez ainsi de perdre vos programmes.

Remarque : La pile ne fera pas fonctionner à elle seule les vannes de votre système d'arrosage. La minuterie d'arrosage est munie d'un transformateur qui doit être raccordé à une source de tension de c.a.

Section 5: Références

TERME	DÉFINITION
HEURE DE DÉPART	L'heure à laquelle le programme commence l'arrosage de la première zone programmée.
VANNE	Elle alimente en eau une zone ou un endroit en particulier. L'ouverture et la fermeture de la vanne sont effectuées à l'aide du courant électrique fourni par la minuterie d'arrosage
VANNE PRINCIPALE	Elle est généralement raccordée à la source d'eau principale. Elle permet l'alimentation en eau du système d'irrigation au complet ou la coupe.
HEURES DE DÉPART MULTIPLES	Une fonction de la minuterie qui permet à un programme de fonctionner plusieurs fois pendant un même jour d'arrosage.
PROGRAMMES SUPERPOSÉS	Lorsqu'une « heure de départ » est réglée pour mettre en marche un programme avant que le programme précédent ne soit terminé.
PROGRAMME (A, B OU C)	Les programmes individuels qui sont réglés par l'utilisateur. Chacun des programmes fonctionne de manière indépendante. Si un programme en chevauche un autre, les programmes seront « superposés ». Après que le premier programme sera exécuté, le programme suivant débutera.
INTERRUPTION EN CAS DE PLUIE	Cette fonction permet de reporter, pendant une durée déterminée, la mise en marche d'un programme d'arrosage réglé.
SOLÉNOÏDE	La pièce électrique d'une vanne d'irrigation qui ouvre et ferme cette vanne.
MINUTERIE D'ARROSAGE	Un appareil qui commande le fonctionnement des vannes des différentes zones.
ZONE	Un groupe d'arroseurs fonctionnant grâce à une seule vanne qui est contrôlée par la minuterie.
BUDGÉTISATION DE L'EAU	Elle permet d'ajuster votre programme d'arrosage général en un pourcentage de durée d'arrosage totale.

Dépannage

PROBLÈME	CAUSE POSSIBLE
Une ou plusieurs vannes ne se mettent pas en marche.	1. Un solénoïde est mal connecté.
	2. Un fil est endommagé ou coupé.
	3. La tige de réglage de débit est vissée, fermant la vanne.
	4. La programmation est incorrecte.
Les zones se mettent en marche au mauvais moment.	1. La pression de l'eau est trop élevée.
	2. Plus d'une heure de départ est programmée.
	3. L'heure est incorrecte (matin ou après-midi).
Une zone reste en marche et ne veut pas s'arrêter.	1. Une vanne est défectueuse.
	2. Des saletés ou des débris sont bloqués dans la vanne.
	3. La membrane de la vanne est défectueuse.
Aucune vanne ne se met en marche.	1. Le transformateur n'est pas raccordé ou est défectueux.
	2. La programmation est incorrecte.
La minuterie ne se met pas en marche.	1. La prise de courant dans laquelle est branché le transformateur ne fonctionne pas.
Les vannes continuent à se mettre en marche et à s'arrêter alors qu'elles ne sont pas programmées.	1. Plusieurs heures de départ sont programmées et elles se chevauchent.
	2. La pression est trop élevée.

SOUTIEN TECHNIQUE

1-800-488-6156 or 1-801-299-5555

www.orbitonline.com

Avant de retourner la minuterie pour arroseur au détaillant, communiquez avec le soutien technique de Orbit® au 1 800 488-6156, 1 801 299-5555 Homologation

HOMOLOGATION

La minuterie pour arroseur est testée selon la norme UL 50 et homologuée ETL®.

Les modèles internationaux appropriés sont approuvés CSA® et CE®.

Cet appareil numérique de la catégorie B est conforme à la norme NMB-003 du Canada.

Déconnexion : Type 1Y

Conditions de pollution normales.

Seul le fabricant ou un de ses agents accrédités peut remplacer le cordon d'alimentation de cet appareil.

AVIS SUR LA MARQUE DE COMMERCE

WaterMaster® est une marque de commerce déposée d'Orbit® Irrigation Products, Inc. Les renseignements dans le présent manuel sont principalement destinés à l'utilisateur qui établira un horaire d'arrosage et qui l'entrera dans la minuterie pour arroseur. Ce produit est destiné à être utilisé comme minuterie pour arroseur automatique servant à mettre en marche des vannes d'irrigation de 24 VAC, comme décrit dans le présent manuel.

ÉNONCÉ ET GARANTIE

Orbit® Irrigation Products, Inc. garantit à ses clients que ses produits sont exempts de tout défaut de matériaux et de fabrication, et ce, pendant 2 ans à compter de la date d'achat.

Pendant une période de 2 ans après la date d'achat, nous remplacerons sans frais les pièces défectueuses ou qui s'avèreront défectueuses si elles ont été utilisées dans les conditions normales d'utilisation et de service (preuve d'achat requise).

Nous nous réservons le droit d'inspecter toute pièce défectueuse avant de la remplacer.

Orbit® Irrigation Products, Inc. n'est pas responsable des dommages et des coûts accessoires ou consécutifs causés par une défectuosité du produit. En vertu de la présente garantie, la responsabilité d'Orbit® se limite exclusivement au

remplacement ou à la réparation des pièces défectueuses.

Pour exercer votre garantie, renvoyez le produit à votre détaillant accompagné d'une copie de votre reçu.

Cet appareil est conforme à l'alinéa 15 du règlement de la FCC. Son utilisation est soumise aux deux conditions suivantes : (1) Cet appareil ne doit provoquer aucune interférence nuisible; et (2) cet appareil doit accepter toute interférence reçue, y compris les interférences pouvant entraîner un fonctionnement indésirable.

Avertissement : *Les modifications non autorisées expressément par la partie responsable de la conformité peuvent annuler le droit de l'utilisateur de se servir de cet appareil.*

REMARQUE : Cet appareil a été testé et déclaré conforme aux limites imposées aux appareils numériques de catégorie B, conformément à l'alinéa 15 du règlement de la FCC. Ces limites sont destinées à assurer une protection raisonnable contre les interférences nuisibles dans un environnement résidentiel. Cet appareil génère, utilise et peut émettre de l'énergie radiofréquence et, s'il n'est pas installé et utilisé conformément aux instructions, risque de provoquer des interférences nuisibles aux communications radio. Cependant, tout risque d'interférence ne peut être totalement exclu.

S'il constate des interférences lors de la réception d'émissions de radio ou de télévision (il suffit pour le vérifier d'allumer et d'éteindre successivement l'appareil), l'utilisateur devra prendre les mesures nécessaires pour les éliminer. À cette fin, il devra :

- réorienter ou déplacer l'antenne réceptrice;
- accroître la distance entre l'appareil et le récepteur;
- brancher le dispositif sur une prise de courant appartenant à un autre circuit que celui du récepteur;
- chercher de l'aide auprès du détaillant ou d'un technicien en radio ou en télévision expérimenté.

Mise en garde : *TCet appareil n'a pas été conçu pour être utilisé par de jeunes enfants ou des personnes handicapées sans surveillance. Surveillez les jeunes enfants pour éviter qu'ils jouent avec l'appareil.*

Felicitaciones por seleccionar su temporizador Orbit. Con el exclusivo Easy-Set Logic™ de Orbit, la programación y configuración simples se combinan con lo último en tecnología y versatilidad en temporizadores.

Su nuevo temporizador brinda conveniencia y flexibilidad, lo que le permite ejecutar un programa de riego completamente automático, semiautomático o manual para todas sus necesidades de riego. Aunque este temporizador es tan fácil de programar que probablemente no necesitará instrucciones, le recomendamos leer este manual completo antes de la instalación, de manera que comprenda todas las características avanzadas.

Índice

Sección 1: Conozca su temporizador	34
Sección 2: Instalación	35
Sección 3: Programación con Easy-Set Logic™	39
Sección 4: Características adicionales	41
Sección 5: Referencia	44

¡Deje que la aplicación Orbit® B-hyve™ Lite se encargue de la programación de su temporizador para regador!

Alertas meteorológicas



Auditoría del agua



Sugerencias para la programación



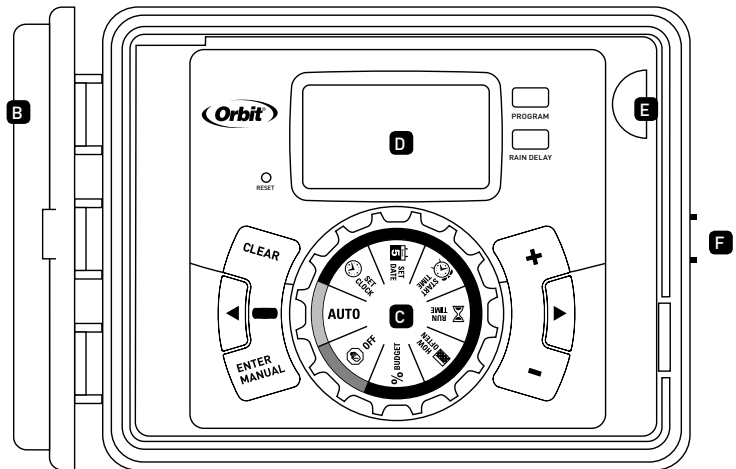
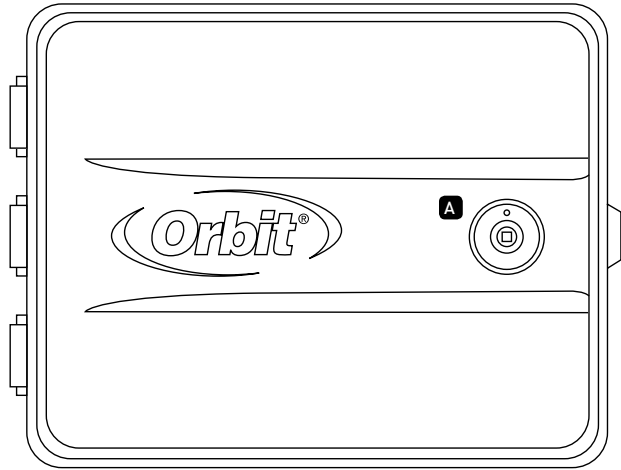
Identidad de la zona









EL TEMPORIZADOR EASY-SET LOGIC™ NO ESTÁ HABILITADO PARA TENER WIFI. La aplicación B-hyve™ Lite ofrece una configuración de programación y recomendaciones de ajustes que usted puede ingresar manualmente para mejorar potencialmente el rendimiento del riego.

Section 1: Conozca su temporizador

- A** Seguro y pestillo
- B** Cubierta resistente a la intemperie
- C** Selector
- D** Pantalla digital
- E** Compartimento de las baterías
- F** Panel de puerta oscilante



Botones	Función
INTRO MANUAL	Confirmar una nueva configuración. Regar manualmente.
BORRAR	Borrar una configuración.
PROGRAMA	Mover a diferentes programas: A, B y C.
FLECHA [▶]	Pasar a la siguiente configuración/estación de riego o pasar a otro programa o configuración.
FLECHA [◀]	Volver a la configuración anterior/estación de riego o pasar a otro programa o configuración.
RETARDO POR LLUVIA	Detener el funcionamiento durante 24 a 72 horas por lluvia u otros factores.
[+]	Aumentar una configuración numérica.
[-]	Disminuir una configuración numérica.

Posición del selector	Función
AUTOMÁTICO	El programa de configuración está uncionando.
 CONFIGURACIÓN DE RELOJ	Fija la hora del reloj.
 CONFIGURACIÓN DE FECHA	Año, mes y día.
 HORA DE INICIO	Fija la hora para comenzar a regar; año, mes y día.
 TIEMPO DE FUNCIONAMIENTO	Configura la duración del riego para cada estación.
 FRECUENCIA	Configura la frecuencia de los días de riego.
% SUMINISTRO	Ajusta el riego total como un porcentaje.
 APAGADO	Apaga todas las estaciones/funciones.

Sección 2: Instalación

Herramientas necesarias

- Destornillador Phillips
- Pinzas pelacables

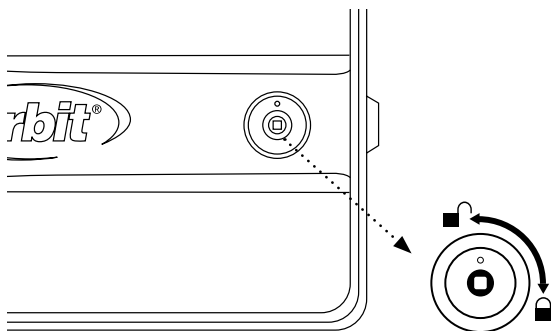
Pasos de la instalación

1. Elija una ubicación.
2. Instale el temporizador.
3. Conecte los cables de la válvula al temporizador.
4. Conecte la alimentación eléctrica.
5. Active la batería.

Elija una ubicación.

Al elegir la ubicación para su temporizador, considere lo siguiente:

- Elija una ubicación cerca de la fuente de alimentación (si tiene cableado) o del tomacorriente (se aplica sólo a los temporizadores de venta minorista en EE. UU.)
- Asegúrese de que las temperaturas de funcionamiento no sean bajo 0° Celsius ni sobre 70° Celsius (bajo 32° ni sobre 158° Fahrenheit)
- Ubíquelo lejos de la luz directa del sol si es posible.
- Asegúrese de dejar un espacio de al menos 22,86 cm hacia la izquierda de la caja del temporizador de riego para que la puerta abra con vaivén después de la instalación.
- Ubique el temporizador donde exista un acceso fácil al cable del rele (desde las válvulas). Si se coloca al exterior, cierre la puerta del compartimiento para que el temporizador no sufra por la intemperie. Para ajustar: Inserte la llave y gire en dirección de las manecillas del reloj hasta la posición de ajuste.



Nota: Los temporizadores de relees son resistentes a la intemperie a UL-50 y clasificaciones ETL®, pero no se deben colocar en áreas donde el flujo continuo de agua pudiese producir algún daño.

2. Instale el temporizador

- Use la plantilla de montaje (incluida) para marcar la ubicación del tornillo de montaje en la pared. *Consulte la figura 1*
- Instale un tornillo No. 8 (incluido) en la pared, en la ubicación superior de la plantilla. Deje que sobresalga la cabeza del tornillo 0,32 cm (1/8") de la pared. Utilice anclas de expansión (incluidas) en yeso o mampostería, si es necesario, para una sujeción segura.
- Deslice el temporizador sobre el tornillo sobresaliente (con la ranura con forma de cerradura en la parte posterior del temporizador). *Consulte la figura 2*
- Coloque un tornillo No. 8 a través de uno de los orificios preformados ubicados en el gabinete posterior inferior. *Consulte la figura 2*

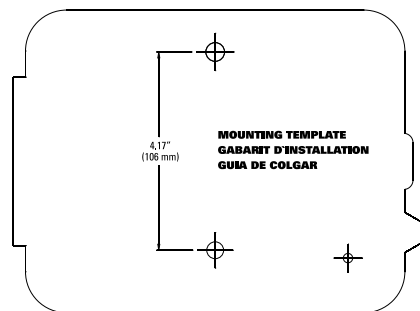


Figura 1: Use la plantilla de montaje (incluida)

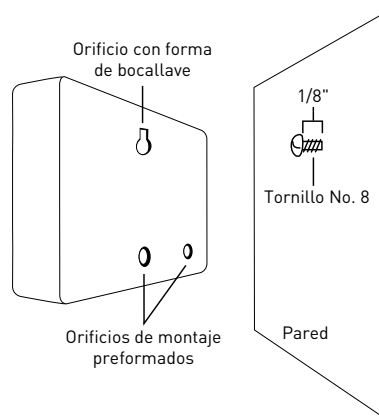


Figura 2: Cuelgue el temporizador con un tornillo en el orificio tipo cerradura.

3. Conecte los cables de la válvula al temporizador.

- Pele 12,70 mm (1/2") del aislamiento de plástico de los extremos de cada cable para los cables del temporizador y de la válvula.
- Conecte un cable de cada válvula (no importa cuál cable) a un solo cable "común" del rele (normalmente blanco).
- Conecte el cable restante de cada válvula a otro cable colorido del rele.

Consulte la figura 3.

Nota: Si la distancia entre el temporizador de riego y las válvulas no supera los 213,36 m (700'), utilice el cable del rele Orbit® o un cable de termostato calibre 20 (AWG) con recubrimiento de plástico para conectar el temporizador de riego a las válvulas. Si la distancia supera los 213,36 m (700'), utilice un cable calibre 16 (AWG).

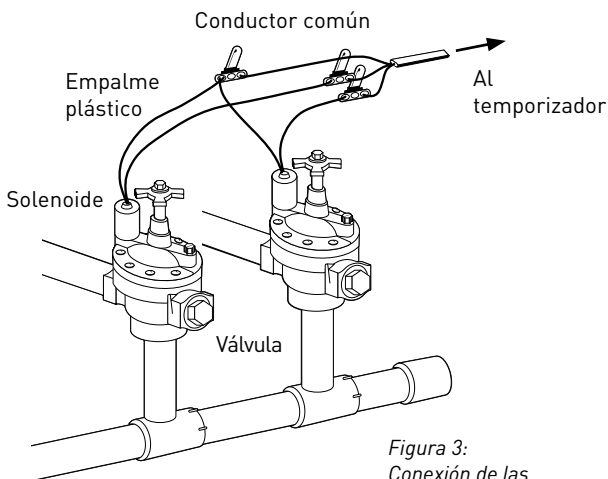


Figura 3:
Conexión de las
válvulas eléctricas

Importante: Todos los cables se deben unir con empalmes plásticos, soldaduras y/o cinta de vinilo. Se recomienda utilizar un engrasador Orbit en ambientes húmedos como una caja de válvulas para evitar la corrosión de la conexión y para protegerla de la filtración de agua.

Conexión de las válvulas eléctricas

Pelee 12,70 mm (1/2") del aislamiento de plástico de los extremos de cada cable individual. Cada válvula tiene dos cables. Un cable (no importa cuál) se debe conectar como el

"común". El otro cable de la válvula debe conectarse al cable de la estación específica que controlará dicha válvula. Los cables comunes para todas las válvulas pueden conectarse juntos a un cable común que da al controlador. Para evitar peligros eléctricos se debe conectar sólo una válvula a cada estación. Consulte la figura 4

Importante: El cable se puede enterrar en el suelo; sin embargo, para mayor protección, los cables pueden extenderse por un tubo de PVC y enterrarse en el suelo. Tenga cuidado y evite enterrar los cables en sitios donde se puedan dañar por futuras excavaciones o zanjas.

Su temporizador está equipado con terminales simples "a presión" para una conexión fácil. Conecte el cable común al terminal común. Conecte los cables restantes a las ubicaciones de los terminales correspondientes.

Sólo conecte una válvula a cada terminal (estación)

Estación 1

Pelee el cable

Empuje

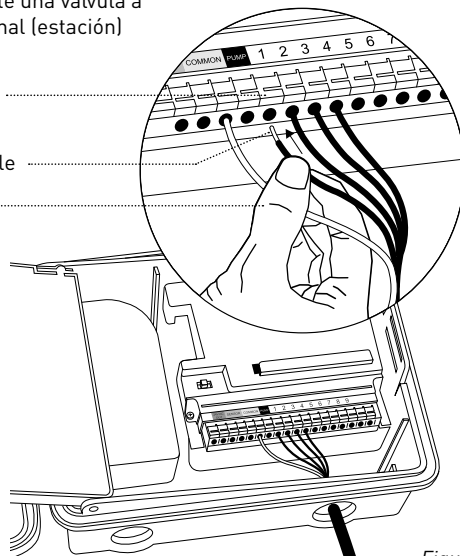
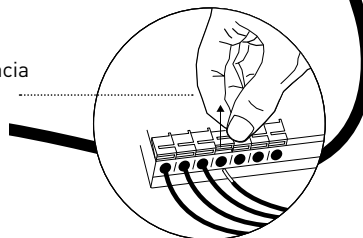


Figura 4

Empuje la lengüeta hacia arriba para liberar el cable.



4. Conecte la alimentación eléctrica.

Interiores – Inserte el cable de alimentación en un tomacorriente de 110 V.

Exteriores – Si se cuenta con un tomacorriente de interruptor de falla de puesta a tierra (GFI, por sus siglas en inglés), inserte el cable de alimentación en el tomacorriente de 110 voltios. Si no hay un tomacorriente, el controlador debe permanecer siempre con el cableado instalado (*consulte la figura 5)

- Desconecte la alimentación de CA en el interruptor de circuito y aplique un bloqueo de seguridad adecuado. Verifique que se haya desconectado la alimentación hacia el lugar de la instalación con un voltímetro de CA establecido para el rango de medición correcto.
- Utilice el cable de alimentación de calibre mínimo 14 (AWG) con una temperatura entre 23, 9 grados Celsius (68 grados Fahrenheit) o más.
- Instale el conducto y los conectores asociados. Conecte el cableado de alimentación eléctrica de CA a la fuente, siguiendo todos los códigos y estándares locales correspondientes.
- Conecte la caja de unión al temporizador con un manguito de 1/2" (no se incluyen la caja de unión ni el manguito). [Consulte la figura 15] Conecte el conducto de alimentación de la fuente a la entrada de la caja de unión, siguiendo todos los códigos correspondientes.
- Saque el cable (que va del temporizador a la caja de unión) de la caja de unión y corte el largo adecuado. Retire el aislante externo (del cable) para exponer los tres cables.
- Conecte los cables de la fuente a los cables que salen del temporizador del rele.
- Para EE. UU.: Asegúrese de seguir el código de color correcto. Conecte el conductor verde de tierra, negro de corriente y blanco neutro. A menudo, el cable a tierra de la fuente puede ser un conductor de cobre desnudo en lugar de un cable verde.
- Para Europa: El cable de corriente es café y el de neutro es azul, no se necesita conexión a tierra. Asegúrese de que todos los cables estén conectados al cable fuente adecuado.
- Asegúrese de que todas las conexiones se hagan con conectores aislados aprobados por el código.
- Asegúrese de colocar una empaquetadura resistente a la intemperie y una tapa en la caja de unión.

- Encienda la alimentación de CA en el interruptor de circuito de CA.

Importante: Instalación con cableado permanente

El temporizador de riego tiene un transformador empotrado que se debe conectar a una fuente de voltaje de línea de CA. Verifique la parte posterior de la caja del temporizador de riego para ver los requisitos de alimentación. Los códigos eléctricos y de construcción locales normalmente requieren el uso de un conducto eléctrico aprobado y de conectores eléctricos para conectar el equipo exterior montado en la pared a la alimentación de CA. Consulte los códigos locales. Toda conexión permanente la debe realizar un electricista con licencia de acuerdo con los requisitos del Código eléctrico nacional y otros códigos locales y estatales.

Este temporizador de riego tiene dos orificios en el parte inferior para que entren los cables. Utilice un manguito de 1/2" para conectar el temporizador de riego a una caja de unión eléctrica estándar. Tanto el conector como la caja de unión deben tener clasificación UL o equivalente, o cumplir los estándares o equivalentes del IEC o EN.

El cable se puede enterrar en el suelo; sin embargo, para mayor protección, los cables pueden extenderse por un conducto eléctrico y enterrarse en el suelo. Tenga cuidado y evite enterrar los cables en sitios donde se puedan dañar por futuras excavaciones o zanjas.

Precaución: No conecte el temporizador de riego a una fase de un sistema de alimentación de tres fases que usa una bomba u otro equipo eléctrico.

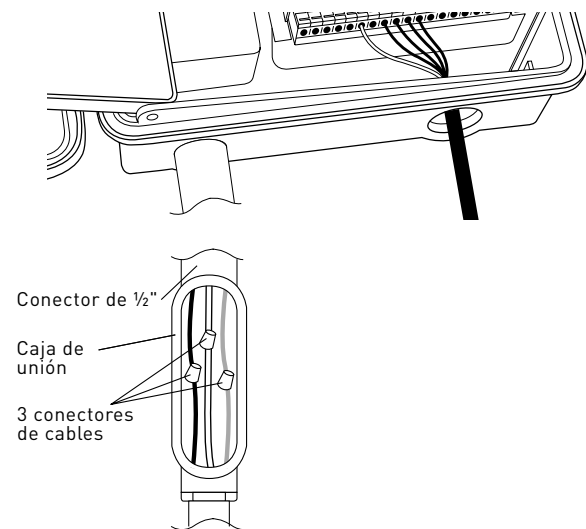


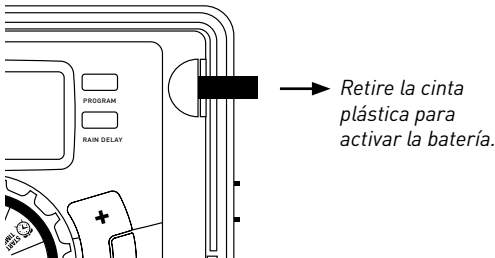
Figura 5: Uso de la caja de unión

Nota: Se recomienda que un electricista calificado realice la instalación para aplicaciones en el exterior, de acuerdo con las regulaciones y los códigos eléctricos. Cuando se utiliza en exteriores, este temporizador de riego se debe utilizar con un circuito protegido de interruptor de falla a tierra (GFI).

5. Active la batería

Se requiere una batería de litio CR2032 (incluida) para mantener el programa en la memoria durante cortes de electricidad. Se recomienda su reemplazo cada año.

Retire la cinta plástica para activar la batería preinstalada.
(Consulte la página 12 para leer sobre el reemplazo de batería)



Nota: La batería sola no hará funcionar las válvulas de su sistema de riego. El temporizador de riego tiene un transformador empotrado que se debe conectar a una fuente de voltaje de CA.

Sección 3: Programación con Easy-Set Logic™

Una nota sobre programas múltiples.

Su temporizador de riego brinda la flexibilidad de utilizar 3 programas independientes (A, B, C). Un programa es donde almacena todas sus configuraciones del rele. Consiste en un grupo de estaciones establecidas para horas de inicio y de funcionamiento específicas. Los programas múltiples le permiten hacer funcionar diferentes válvulas en diferentes días con diferentes tiempos de funcionamiento. Mientras que muchas aplicaciones sólo requieren un programa (A), usar programas múltiples puede ser útil en áreas de riego por goteo, césped recién plantado o estaciones del rele rotativas. Usar programas para agrupar estaciones con necesidades de

riego similares maximizará la eficiencia de la irrigación.

La programación primaria se puede lograr con sólo unos pasos básicos.

Programación primaria

Presione [RESET] para borrar toda programación previa de fábrica.

1. Configuración de reloj

- Gire el selector a [SET CLOCK]
- Presione los botones [+/-] para configurar la hora actual del día.

Sugerencia: Para aumentar o disminuir más rápidamente, mantenga presionados los botones [+] o [-] hasta que la pantalla cambie a modo de avance rápido.

- Presione los botones [◀ ▶] para configurar a.m./p.m.
- Gire el selector para aceptar la hora.

2. Configuración de fecha

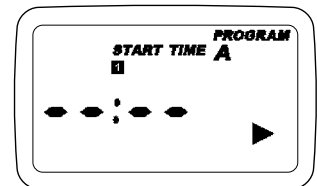
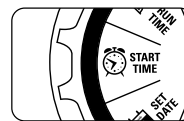
- Gire el selector a [SET DATE]
- Aparecerá A/M/D (la letra parpadeando indica la selección).
- Presione los botones [+/-] para configurar el año correcto y luego presione [ENTER] o [◀ ▶]
- Presione los botones [+/-] para configurar el mes correcto y luego presione [ENTER].
- Presione los botones [+/-] para configurar la fecha correcta.
- Gire el selector para aceptar la fecha.

3. Hora de inicio

- Gire el selector a [START TIME]
- Presione los botones [+/-] para seleccionar la hora a la que le gustaría que comience el riego.

(La hora se ajustará en incrementos de 15 minutos).

La pantalla mostrará



Tenga en cuenta que la HORA DE INICIO es la hora del día en que comienza su riego programado. Puede configurar hasta 4 HORAS DE INICIO. Todas las estaciones que tienen un TIEMPO DE FUNCIONAMIENTO programado (frecuencia) funcionarán en secuencia a estas horas.

Nota: Almacenamiento de horas de inicio

Cuando una hora de inicio se configura antes de que el programa previo termine, dicha hora de inicio quedará "en cola" o se retrasará, y comenzará una vez que el programa previo termine.

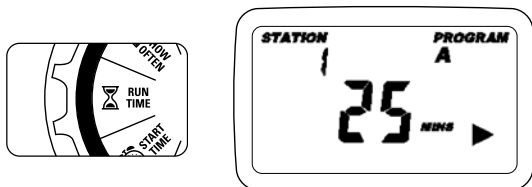
Ejemplo: Bill acaba de plantar semillas para césped y desea regar tres veces al día. Configura la HORA DE INICIO 1 para las 5 a.m., la HORA DE INICIO 2 para las 12 p.m. y la HORA DE INICIO 3 para las 5 p.m.

También configura la FRECUENCIA para INT (intervalo) CADA 1 DÍA (consulte la sección 3, HOW OFTEN).

En el modo AUTO el sistema regará 3 veces al día. Una vez que el tepe de Bill esté firme, podrá BORRAR las horas de inicio 2 y 3, y volver a regar sólo una vez al día.

4. Tiempo de funcionamiento

- Gire el selector a [RUN TIME]



STATION es el área que regará cada válvula. En esta pantalla, se configura el TIEMPO DE FUNCIONAMIENTO o duración para cada estación.

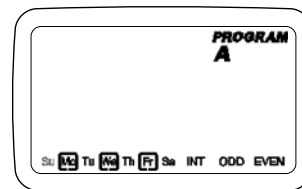
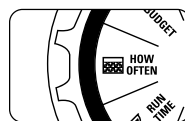
- Presione [◀ ▶] para seleccionar una estación y presione los botones [+/-] para ingresar la duración de riego para esa estación.
- Presione [ENTER] o los botones [◀ ▶] para pasar a la siguiente estación o válvula e ingresar la duración de riego para cada estación.

5. Frecuencia

- Gire el selector a [HOW OFTEN]; esta pantalla le permitirá configurar la frecuencia del riego.

Se brindan 3 opciones:

1. Días de la semana (Lun, Mar, Miér, etc.)
2. Intervalos (Cada "X" días)
3. Días impares o pares



Días de la semana

- Gire el selector a [HOW OFTEN]
 - La opción parpadeará para indicar la selección.
 - La pantalla mostrará la letra del programa (A, B o C).
 - Presione los botones [◀ ▶] para pasar de un día a otro a través de las opciones.
 - Presione [+] o [ENTER] para seleccionar un día de riego.
- Para borrar un día ingresado con anterioridad, presione [-] o [CLEAR].

Ejemplo: Lunes, miércoles y viernes.

Intervalos

- Utilice los [◀ ▶] botones para pasar a la opción INTERVALO "INT".
- Presione los botones [+/-] para seleccionar el número de días entre riegos.

Ejemplo: Un intervalo de 1 regará todos los días; un intervalo de 3 regará cada 3 días, etc.

Días impares o pares

- Utilice los [◀ ▶] botones para pasar al riego en día IMPAR o PAR.
 - Configuración de IMPAR o PAR, presione [+] o [ENTER].
- Seleccionar una opción diferente o presionar borrar, borrará la selección previa.

Ejemplo: Impares: 1º, 3º, 5º, etc.

Ejemplo: Pares: 2º, 4º, 6º, etc.

Gire el selector a [AUTO] y ¡listo!
Acaba de programar su temporizador.

Gire el selector a AUTO para activar el programa.

Nota: Si su programa se pierde, el programa a prueba de fallos instalado en fábrica encenderá cada estación todos los días por 10 minutos.

Nota: Su programación anterior no se verá afectada a menos que se modifique. Siempre esté atento al programa en el que está (A, B o C) cuando realice cambios.

Revisión y cambio de su programa

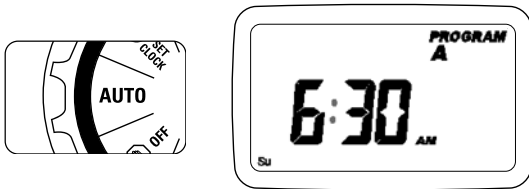
Si desea revisar o cambiar las horas de inicio, los tiempos de funcionamiento o la frecuencia de riego, simplemente siga las instrucciones nuevamente para esa opción. Recuerde girar el selector de vuelta a AUTO después de revisar o cambiar un plan de riego para el funcionamiento automático.

Sección 4: Características adicionales

Retardo por lluvia

El retardo por lluvia le permite retardar el temporizador de riego para que no riegue durante un período de tiempo establecido. Las configuraciones de retardo son 24, 48 y 72 horas.

- Gire el selector a [AUTO]



- Presione el botón de retardo por lluvia para retardar automáticamente el riego por 24 horas.
- Presione los [+/-] botones para aumentar o disminuir la configuración si desea un retardo por lluvia mayor.
- Presione [ENTER] o espere 10 segundos y el retardo por lluvia seleccionado comenzará.
- El botón [CLEAR] detiene el retardo por lluvia y el riego programado continúa.
- Al final del tiempo de retardo por lluvia seleccionado, continúa el riego automático.
- Mientras se encuentre en modo de retardo por lluvia, la pantalla del temporizador cambiará entre la hora actual y las horas restantes del retardo, cada 2 segundos.

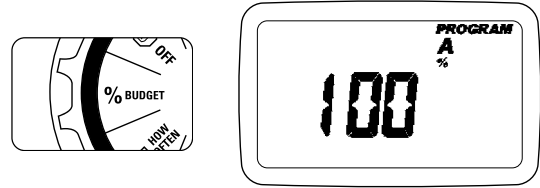
Suministro de agua

El suministro de agua es una forma simple de ajustar la duración del riego a fin de satisfacer las necesidades de riego estacional. El suministro de agua funciona aumentando o disminuyendo la duración del riego para todas las estaciones en cada programa. Presione el botón PROGRAM para seleccionar el programa que desea suministrar.

El rango de ajuste va de 10% a 200%, en incrementos de 10%. El valor predeterminado es de 100%. El SUMINISTRO permanecerá en el rango ajustado hasta que lo cambie.

Configurar el suministro:

- Gire el selector a [BUDGETING].



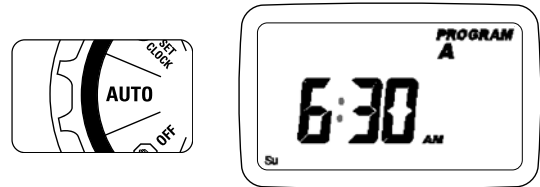
- Para ajustar presione los botones [+/-], presione [ENTER]
- Si utiliza programas múltiples (A, B o C), presione el botón PROGRAM para pasar al programa deseado y hacer los ajustes necesarios.

Ejemplo: La duración del riego de Bill es de 60 minutos; sin embargo, es primavera, por lo que desea regar la mitad del tiempo y configura el SUMINISTRO al 50%, el temporizador ahora regará durante 30 minutos.

Riego manual

Su temporizador tiene la capacidad de permitirle regar sin interrumpir el programa actual.

- Gire el selector a [AUTO]



- Presione el botón [MANUAL]. La pantalla mostrará ABC y ALL. Después de unos segundos o presionando ENTER, el temporizador comenzará el riego manual.
- Todas las estaciones regarán consecutivamente por la duración programada.

Nota: Si no se han configurado los TIEMPOS DE FUNCIONAMIENTO, el temporizador no iniciará el riego manual y la pantalla volverá a la hora actual.

- Para especificar un programa o estaciones específicas, presione los [◀ ▶] botones para seleccionar A, B o C.
- Presione [ENTER] para activar.
- Para seleccionar una estación específica, continúe presionando los botones de [◀ ▶] hasta que aparezca el número e la estación deseada.
- Presione [+/-] para ingresar la duración deseada de 1 a 240 minutos.
- Espere 5 segundos y comenzará su estación.
- Para detener el riego manual, presione [CLEAR].
- El temporizador volverá a su plan de riego automático original.

Ejemplo: Para regar manualmente en la estación 3 durante cinco minutos, presione el botón [MANUAL] y luego presione los botones hasta que vea la estación 3; usando los botones [+/-], configure la duración en cinco minutos; presione [ENTER]].

Nota: Después de que se ha presionado el botón MANUAL, si no se realiza una selección dentro de 5 segundos, todas las estaciones y programas comenzarán el riego usando los TIEMPOS DE FUNCIONAMIENTO programados. Si no se han configurado TIEMPOS DE FUNCIONAMIENTO, no sucederá nada y la pantalla volverá a la hora del día.

Conexión de un detector de lluvia

- Conecte el detector de lluvia a los puertos del terminal de cableado (amarillo en color) etiquetado "Sensor".

Nota: Consulte el manual del detector de lluvia para obtener instrucciones de cableado específico.

- Coloque el interruptor de encendido y apagado del detector en la posición "on" para comenzar el funcionamiento (consulte la figura 6).

Derivación del detector de lluvia

Este temporizador de riego está equipado con un interruptor "on/ off" de anulación del detector. Este interruptor es para utilizar mientras se realicen mantenimiento y reparaciones, de manera que el temporizador de riego pueda funcionar incluso si el detector de lluvia está en modo activo.

Importante: Si el interruptor del detector de lluvia está en la posición "on" y no tiene conectado ningún detector,

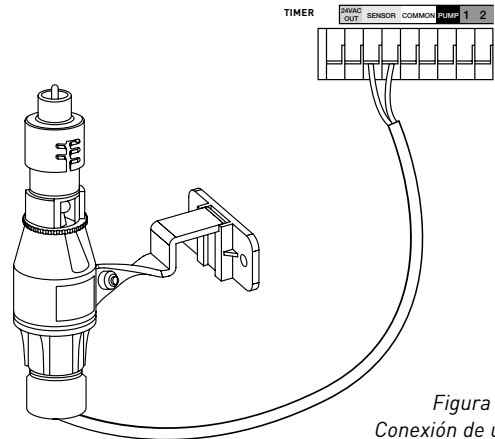


Figura 6:
Conexión de un detector de lluvia

el temporizador de riego no funcionará. Para reanudar el funcionamiento del temporizador de riego, coloque el interruptor en la posición "off".

Válvula maestra y arranque de la bomba

Este temporizador de riego permite que rele de arranque de la bomba y válvulas maestras funcionen siempre que esté programada una estación.

Nota: Si está activando una bomba de este temporizador, debe comprar un rele de arranque de la bomba. Desde el rele de arranque de la bomba (o válvula maestra); conecte un cable al terminal "Pump" y el otro cable al terminal "Common".

Reemplazo de la batería

El temporizador requiere 1 batería de litio CR2032.

- La batería mantendrá su programa en caso de pérdida de alimentación de CA.
- La batería debe durar un año aproximadamente.
- Abra deslizando la bandeja del compartimento de pilas hacia fuera a la derecha.
- Inserte una batería CR2032 en el compartimento con el signo + hacia arriba.
- Deslice hacia atrás a su sitio.

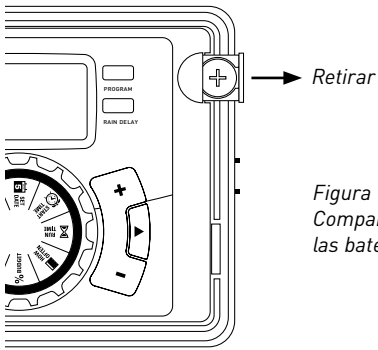


Figura 7:
Compartimento de
las baterías

Una batería descargada o la ausencia de baterías puede borrar la hora, la fecha y el programa tras un corte de energía. Si esto sucede, tendrá que instalar una batería completamente cargada y reprogramar el temporizador.

Sugerencia: Reemplace la batería todos los años para evitar perder la programación.

Nota: Una batería sola no hará funcionar las válvulas de su sistema de riego. El temporizador de riego tiene un transformador empotrado que se debe conectar a una fuente de voltaje de línea de CA.

Sección 5: Referencia

TÉRMINO	DEFINICIÓN
HORA DE INICIO	La hora en que el programa comienza el riego la primera estación programada.
VÁLVULA	Suministra agua a una estación o área específicos. La abertura y el cierre de la válvula se realizan con la corriente eléctrica que suministra el temporizador de riego.
VÁLVULA MAESTRA	Suele ubicarse en la fuente de agua principal. Abre y cierra el agua para todo el sistema de irrigación cuando no está en uso.
HORAS DE INICIO MÚLTIPLES	Una característica de control que permite que un programa funcione a múltiples horas en el mismo día de riego.
PROGRAMAS SUPERPUESTOS	Cuando se configura una "hora de inicio" para un programa antes de que el programa previo haya terminado.
PROGRAMA (A, B O C)	Programas individuales configurados por el usuario. Cada programa funciona de forma independiente. Si un programa se superpone al otro, los programas quedarán "en cola". Después de que termine el primer programa comenzará el programa siguiente.
RETARDO POR LLUVIA	Una característica que pospone el funcionamiento de un programa de riego programado para una duración específica.
SOLENOIDE	La parte eléctrica en una válvula de irrigación que abre y cierra la válvula.
TEMPORIZADOR DE RELE	Un dispositivo que les ordena a las válvulas de la estación que funcionen.
ESTACIÓN	Un grupo de relees que funcionan con una sola válvula controlada por el temporizador.
SUMINISTRO PARA RIEGO	Ajusta su programa de riego general como un porcentaje de la duración total de riego.

Solución de problemas

PROBLEMA	CAUSA POSIBLE
Una o más válvulas no encienden.	1. La conexión del solenoide no es la correcta.
	2. El cable está dañado o cortado.
	3. Vástago de control de flujo hacia abajo, válvula cerrada.
	4. La programación es incorrecta.
Las estaciones se encienden cuando no deben hacerlo.	1. La presión del agua es demasiado alta.
	2. Se ha programado más de una hora de inicio.
	3. A.M./P.M. es incorrecto.
Una estación permanece activa y no se apaga.	1. Válvula defectuosa.
	2. Partículas de suciedad o desechos atascados en la válvula.
	3. Diafragma de la válvula defectuoso.
Ninguna de las válvulas enciende.	1. Transformador defectuoso o desconectado.
	2. La programación es incorrecta.
El temporizador no se enciende.	1. El transformador no está conectado a un tomacorriente en funcionamiento.
Las válvulas siguen encendiéndose y apagándose cuando no están programadas para hacerlo.	1. Hay más de una hora de inicio programada con planes superpuestos.
	2. Presión excesiva.

AYUDA

1-800-488-6156 or 1-801-299-5555

www.orbitonline.com

Antes de devolver este temporizador de riego a la tienda, póngase en contacto con el Servicio técnico de Orbit® al: 1-800-488-6156, 1-801-299-5555 Listings

CLASIFICACIONES

El temporizador de riego ha sido probado para el estándar UL-50 y está clasificado por ETL®.

Los modelos internacionales apropiados están aprobados por CSA® y CE®.

Este instrumento digital clase B cumple con el ICES-003 de Canadá.

Desconexión: Tipo 1Y

Situación de contaminación normal.

El cable del suministro de este control lo puede reemplazar sólo el fabricante o su agente de servicio acreditado.

AVISO DE LA MARCA

WaterMaster® es una marca registrada de Orbit® Irrigation Products, Inc. La información de este manual está pensada para el usuario que establecerá un plan de riego y que ingresará dicho plan en el temporizador de riego. Este producto está pensado para ser utilizado como un temporizador de riego automático para la activación de válvulas de irrigación de 24-V CA como se describe en este manual.

GARANTÍA Y DECLARACIÓN

Orbit® Irrigation Products Inc. garantiza a sus clientes que sus productos estarán libres de defectos en los materiales y en la fabricación durante un período de 2 años a partir de la fecha de compra.

Reemplazaremos, sin cargos, la o las piezas defectuosas o las piezas que se consideren defectuosas bajo un uso y servicio normales por un período de hasta 2 años después de la compra (se exige comprobante de compra).

Nos reservamos el derecho de inspeccionar la pieza defectuosa antes de su reemplazo.

Orbit® Irrigation Products Inc. no será responsable de costos ni daños indirectos o incidentales causados por la falla del producto. La responsabilidad de Orbit® bajo esta garantía se limita solamente al reemplazo o la reparación de las piezas defectuosas.

Para utilizar su garantía, regrese la unidad al distribuidor con una copia del recibo de venta.

Este dispositivo cumple con la Sección 15 de las reglas de la FCC.

El funcionamiento está sujeto a las siguientes dos condiciones:

(1) Este dispositivo no debe causar interferencia perjudicial, y (2) deberá aceptar cualquier interferencia recibida, incluida la interferencia que pudiese causar la operación no deseada.

Advertencia: Los cambios o las modificaciones a esta unidad que no estén expresamente aprobadas por la parte responsable del cumplimiento podrían anular la autorización del usuario para utilizar el equipo.

NOTA: Este equipo ha sido probado y se ha verificado que cumple los límites para un dispositivo digital Clase B, conforme a la Sección 15 de las reglas de la FCC. Estos límites están diseñados para proporcionar protección razonable contra interferencia perjudicial en una instalación residencial. Este equipo genera, utiliza y puede irradiar energía de radiofrecuencia y, si no se instala y usa de acuerdo con las instrucciones, puede causar interferencia perjudicial a las comunicaciones de radio. Sin embargo, no se garantiza que no se producirán interferencias en una instalación en particular.

Si este equipo genera interferencia perjudicial a la recepción de radio o televisión, lo que se puede determinar apagando y encendiendo el equipo, se recomienda al usuario que intente corregir la interferencia con una o más de las siguientes medidas:

- Reorientar o reubicar la antena de recepción.
- Aumentar la separación entre el equipo y el receptor.
- Conectar el equipo a un tomacorriente de un circuito distinto al que usa el receptor.
- Solicitar ayuda al concesionario o a un técnico con experiencia en radio/TV.

Precaución: Este electrodoméstico no está pensado para ser utilizado por niños pequeños o por personas enfermas sin supervisión. Se debe supervisar a los niños pequeños para asegurarse de que no jueguen con el electrodoméstico.

Complimenti per aver acquistato il vostro nuovo timer Orbit! L'esclusivo sistema Easy-Set Logic™ di Orbit unisce una programmazione e un'impostazione semplici alla più avanzata e versatile tecnologia per timer.

Il vostro nuovo timer si contraddistingue per praticità e flessibilità, che consentono di gestire un programma d'irrigazione completamente automatico, semi-automatico o manuale, a seconda delle diverse esigenze d'irrigazione. Al fine di familiarizzare con tutte le funzioni avanzate del prodotto, raccomandiamo una lettura completa del manuale prima dell'installazione del timer, anche se, data la facilità della programmazione, è probabile che non ve ne sia bisogno.

Sommario

1° Paragrafo: Familiarizzare con il vostro timer	50
2° Paragrafo: ISTALLAZIONE	51
3° Paragrafo: Programmazione con Easy-Set Logic™	55
4° Paragrafo: Funzioni ulteriori	57
5° Paragrafo: Riferimenti	59

Lascia che sia l'applicazione Orbit® B-hyve™ Lite ad occuparsi della programmazione il tuo sistema d'irrigazione!

Allerta meteo



Accertamento idrico



Consigli di programmazione



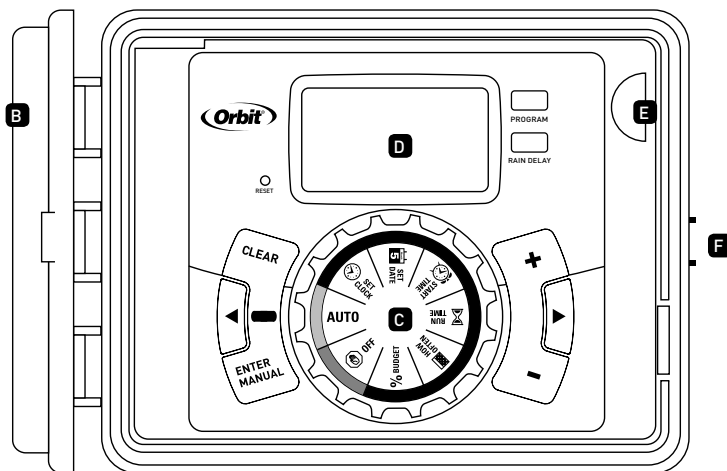
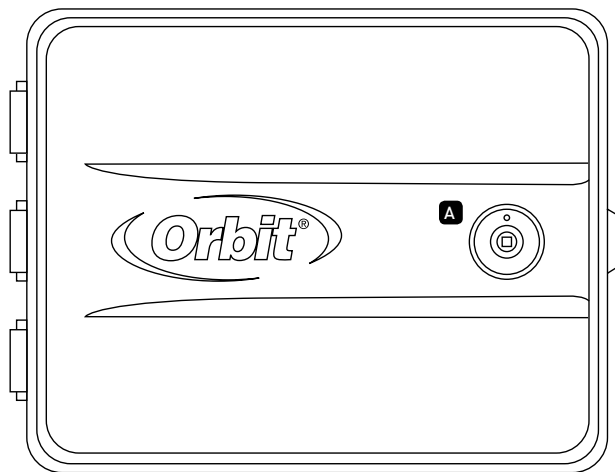
Identificazione delle zone



IL TIMER PER IRRIGAZIONE EASY-SET LOGIC NON È ABILITATO AL WIFI. L'applicazione B-hyve™ Lite offre di gestire manualmente la programmazione e suggerimenti utili di regolazione per migliorare efficacemente la performance del vostro irrigatore.

1° Paragrafo: Familiarizzare con il vostro timer

- A** Chiusura con chiavetta
- B** Coperchio resistente alle intemperie
- C** Quadrante
- D** Display digitale
- E** Compartimento batteria
- F** Sportellino basculante



Tasti	Funzione
ENTER MANUAL (INVIO MODALITÀ MANUALE)	Per confermare l'irrigazione manuale di una nuova impostazione
CLEAR (CANCELLA)	Per cancellare un'impostazione
PROGRAM (PROGRAMMA)	Per selezionare un programma differente: A, B e C
FRECCIA [▶]	Per avanzare all'impostazione/stazione d'irrigazione successiva o per selezionare un altro programma/impostazione
FRECCIA [◀]	Per retrocedere all'impostazione/stazione d'irrigazione precedente o per selezionare un altro programma/impostazione
RAIN DELAY (RITARDO PIOGGIA)	Per mettere in pausa il funzionamento del sistema per 24-72 ore, a causa di pioggia o altri motivi
[+]	Per incrementare un'impostazione numerica
[-]	Per diminuire un'impostazione numerica

Posizione del quadrante	Funzione
AUTO (AUTOMATICO)	Il programma impostato è stato avviato
 SET CLOCK (IMPOSTAZIONE DELL'OROLOGIO)	Imposta l'ora
 SET DATE (IMPOSTAZIONE DELLA DATA)	Anno, mese e giorno
 START TIME (ORA D'INIZIO)	Imposta l'ora d'inizio dell'irrigazione: Anno, Mese, e Giorno (Y, M, D)
 RUN TIME (DURATA DEL CICLO)	Imposta la durata d'irrigazione di ciascuna stazione
 HOW OFTEN (FREQUENZA)	Imposta la frequenza dei giorni d'irrigazione
 BUDGET (PORTATA)	Regola l'irrigazione generale sottoforma di percentuale
 OFF (SPENTO)	Spegne tutte le stazioni/funzioni

2° Paragrafo: Istallazione

Attrezzi da lavoro necessari

- Cacciavite a stella
- Pinza per elettricista

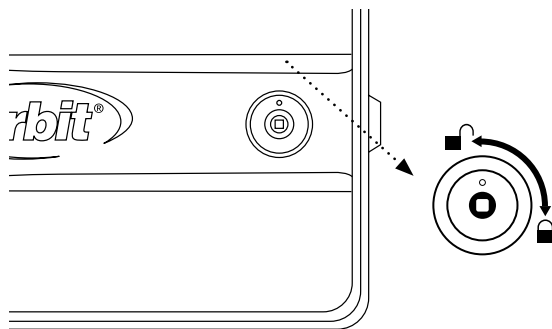
Passaggi per l'istallazione

1. Scelta del luogo adatto
2. Montaggio del timer
3. Collegamento dei fili delle valvole al timer
4. Collegamento elettrico
5. Attivazione della batteria

1. Scelta del luogo adatto

Considerare i fattori seguenti durante la scelta del luogo adatto:

- Scegliere un luogo vicino ad una fonte di alimentazione (se si utilizzano fili) o di una presa elettrica (solo per timer in vendita negli Stati Uniti).
- Accertarsi che la temperatura di funzionamento non sia inferiore a 0 °C o superiore a 70 °C
- Se possibile, posizionare il timer lontano dalla luce diretta solare
- Accertarsi che vi siano almeno 23 cm di spazio sul lato sinistro della cassetta del timer, in modo che sia possibile aprire lo sportellino dopo l'installazione
- Posizionare il timer in un luogo di facile accesso ai fili d'irrigazione (provenienti dalle valvole). Se si sceglie un luogo esterno, chiudere lo sportellino per salvaguardare il timer da possibili danni causati da intemperie. Per chiudere: inserire la chiavetta e girarla in senso orario fino a serrare completamente



N.B.: i timer per irrigazione sono resistenti alle intemperie, omologati UL-50 e ETL®; non dovrebbero comunque essere installati dove la continua esposizione all'acqua piovana potrebbe danneggiare l'apparecchio.

2. Montaggio del timer

- Utilizzare lo schema di montaggio (incluso) per marcare sulla parete la posizione delle viti. *Vedi figura 1*
- Inserire una vite n. 8 (inclusa) nella parete, nella parte superiore dello schema. Lasciare che la testa della vite sporga di 3 mm dalla parete. Se necessario, utilizzare dei tasselli ad espansione (inclusi) nel cartongesso o nella muratura, per installare in maniera sicura.
- Inserire il timer nella vite sporgente (fessura a buco di serratura situata sul retro del timer). *Vedi figura 2*
- Inserire una vite n. 8 in uno dei due forellini preforati sulla parte inferiore della cassetta. *Vedi figura 2*

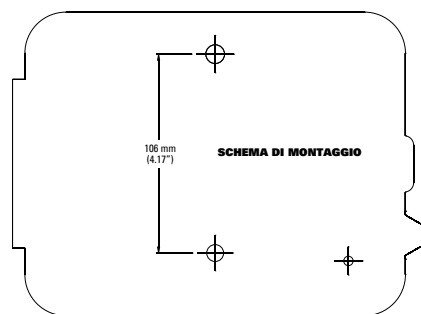


Figura 1: uso dello schema di montaggio (incluso)

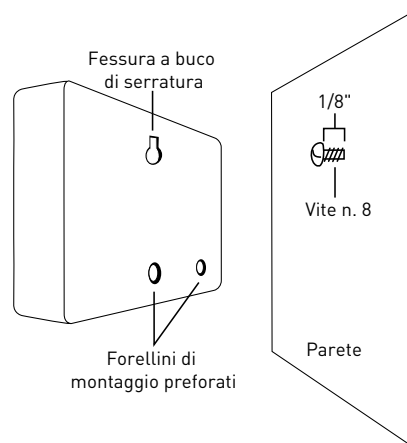


Figura 2: appendere il timer alla vite utilizzando la fessura a buco di serratura

3. Collegamento dei fili delle valvole al timer

- Spellare circa 12 mm di guaina isolante in plastica dall'estremità di ciascun filo elettrico, sia dai fili del timer che da quelli delle valvole
- Collegare uno dei fili di ciascuna valvola (non importa quale) al filo comune (Common) del timer (generalmente bianco)
- Collegare il filo rimanente proveniente da ogni valvola ad un filo colorato del timer

Vedi figura 3

N.B.: il carico massimo di ciascuna stazione/pompa è di 250mA, il carico massimo del timer è di 500mA. Se la distanza tra il timer e le valvole è inferiore a 210 m, utilizzare un filo per irrigazione Orbit® oppure un filo termostatico di calibro 20 (AWG) rivestito in plastica per collegare il timer alle valvole. Se la distanza è superiore a 210 m, utilizzare un filo di calibro 16 (AWG).

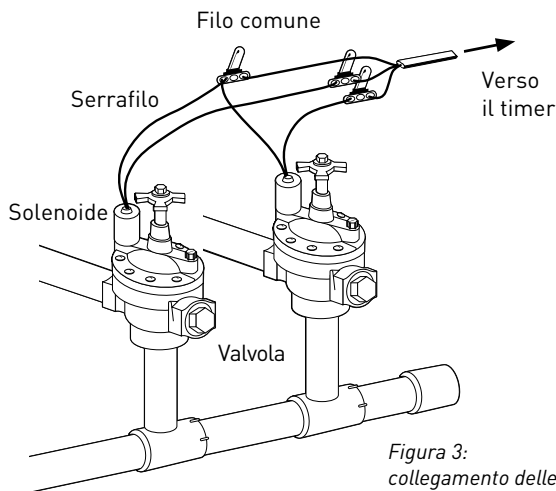


Figura 3:
collegamento delle elettrovalvole

Importante: tutti i fili elettrici devono essere legati da serrafilo, saldatura e/o nastro adesivo in vinile. Per prevenire corrosione dei collegamenti e infiltrazioni d'acqua, si consiglia di utilizzare serrafilo lubrificati Orbit in caso di frequente esposizione all'acqua, come ad esempio una cassetta per valvole.

Collegamento delle elettrovalvole

Spellare circa 12 mm di guaina isolante in plastica dall'estremità di ogni singolo filo elettrico. Ogni valvola è

dotata di due fili. Uno dei due fili (non importa quale) deve essere collegato come quello comune. L'altro filo della valvola deve essere collegato al filo specifico della stazione che controllerà quella determinata valvola. I fili comuni di tutte le valvole possono essere attorcigliati in un unico filo diretto verso il timer. Per evitare pericolo di scosse elettriche, ciascuna stazione deve essere collegata ad una sola valvola. Vedi figura 4

Importante: il filo può essere interrato; in ogni caso, per maggiore protezione, si consiglia di inserire i fili in una tubatura in PVC che sarà poi interrata. Attenzione a non interrare i fili elettrici in un luogo dove potrebbero essere danneggiati da scavi o lavori di giardinaggio futuri.

Il vostro timer è dotato di semplici morsetti a scatto per facilitare i collegamenti. Collegare il filo comune al morsetto comune. Collegare i fili rimanenti ai morsetti corrispondenti.

Collegare una valvola sola a ciascun morsetto (stazione)

- Stazione 1
- Spellare il filo
- Spingere

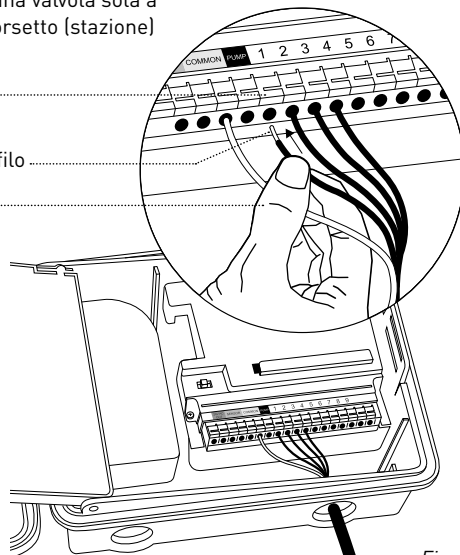
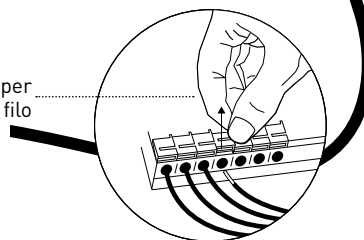


Figura 4

- Spingere la linguetta verso l'alto per rilasciare il filo



4. Collegamento elettrico

Luoghi interni – Inserire il cavo elettrico in una presa di corrente da 110V.

Luoghi esterni – Se vi è un interruttore differenziale coperto, inserire il cavo elettrico in una presa di corrente da 110V. Se non vi è alcuna presa di corrente, sarà necessario installare i fili definitivamente [*vedi la figura 5]

- Togliere la corrente alternata all'interruttore e installare un dispositivo di sicurezza. Accertarsi che la corrente sia tolta utilizzando un voltmetro per corrente alternata impostato sulla gamma di misurazione corretta.
- Utilizzare un cavo di alimentazione non inferiore a calibro 14 (AWG), resistente a una temperatura di 68 °C o maggiore.
- Posizionare il condotto ed i raccordi associati. Collegare il cablaggio a corrente alternata alla fonte di alimentazione, rispettando tutti i codici e regolamenti locali.
- Collegare la cassetta di giunzione al timer utilizzando un raccordo di 12,7 mm [cassetta di giunzione e raccordo non inclusi]. [Vedi Figura 5] Collegare la fonte di alimentazione all'entrata della cassetta di giunzione, rispettando i codici locali vigenti.
- Prendere il cavo [che va del timer alla cassetta di giunzione] dalla cassetta di giunzione e tagliarlo della lunghezza necessaria. Spellare la guaina isolante (dal cavo) per scoprire i tre fili elettrici.
- Collegare i fili di alimentazione ai fili che si protraggono dal timer.
- Per gli Stati Uniti: accertarsi di seguire i codici di colorazione corretti. Collegare il filo verde come massa, il filo nero sotto tensione e quello bianco come neutro. Spesso il filo di massa a terra è di rame invece che essere verde.
- Per l'Europa: il filo sotto tensione è marrone, il neutro è blu, mentre non è richiesto un filo di massa a terra. Assicurarsi che tutti i fili siano collegati alla fonte di alimentazione.
- Assicurarsi che tutti i collegamenti siano effettuati con connettori isolanti approvati dai codici locali.
- Assicurarsi di utilizzare una guarnizione impermeabile ed un coperchio sulla cassetta di giunzione.
- Attaccare la corrente ed accendere l'interruttore.

Importante: installazione utilizzando un cablaggio definitivo

Il timer d'irrigazione è dotato di un trasformatore intrinseco che deve essere collegato ad una fonte di alimentazione a corrente alternata. Controllare i requisiti di alimentazione richiesti sulla parte posteriore della centralina. Per collegare apparecchi a muro ad una fonte di alimentazione a corrente alternata, codici edili ed elettrici locali generalmente richiedono l'uso di condotti e raccordi elettrici approvati. Si prega di controllare i codici locali. Tutti i collegamenti definitivi dovrebbero essere eseguiti da un elettricista qualificato, rispettando i requisiti del Codice Elettrico Nazionale e da altri eventuali codici statali e locali.

Il timer d'irrigazione è munito di due forellini situati nella parte inferiore, per accedere ai fili. Utilizzare un raccordo impermeabile da 12,7 mm per collegare il timer ad una cassetta di giunzione elettrica standard. Sia il connettore che la cassetta di giunzione devono essere omologati UL o rispettare norme equivalenti, obbedire alle norme IEC (Commissione Elettrotecnica Internazionale) o alle norme EN (Unione Europea).

Il filo può essere interrato; in ogni caso, per una maggiore protezione, si consiglia di inserire i fili in un tubo che sarà poi interrato. Attenzione a non interrare i fili elettrici in un luogo dove potrebbero essere danneggiati da scavi o lavori di giardinaggio futuri.

Attenzione: non collegare il timer ad una delle fasi di un sistema trifase utilizzato da una pompa o da un apparecchio elettrico differente.

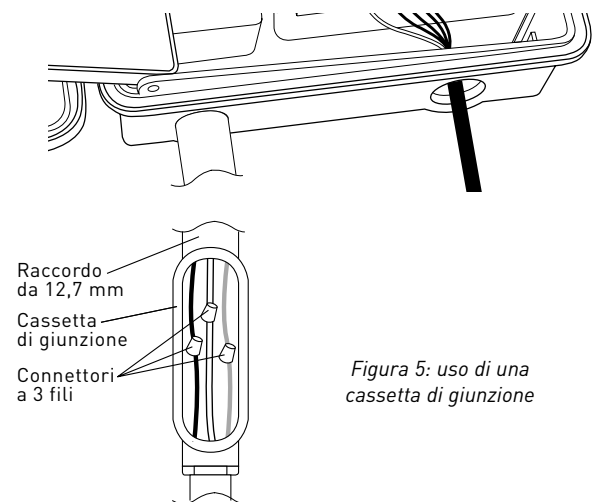


Figura 5: uso di una cassetta di giunzione

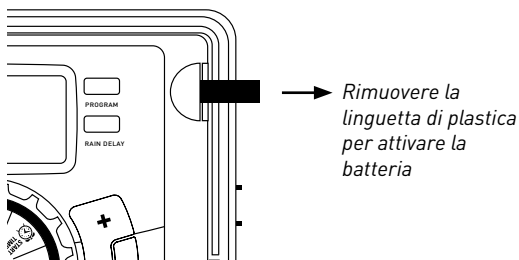
N.B.: per applicazioni all'esterno, si consiglia di contattare un elettricista qualificato affinché l'installazione sia eseguita rispettando i codici e i regolamenti vigenti. Se usato esternamente, il timer richiede che il circuito sia salvaguardato da un interruttore differenziale (salvavita).

5. Attivazione della batteria

Per ritenere il programma in memoria in caso vi sia interruzione di corrente, è richiesta una batteria al litio CR2032 (inclusa). Si consiglia di sostituire la batteria ogni anno.

Rimuovere la linguetta di plastica per attivare la batteria preinstallata.

(Vedi pagina 12 per la sostituzione della batteria)



N.B.: la sola batteria non permetterà di azionare le valvole del vostro sistema d'irrigazione. Il timer è dotato di un trasformatore intrinseco che deve essere collegato ad una fonte di alimentazione a corrente alternata.

3° Paragrafo: Programmazione con Easy-Set Logic™

Brevi cenni sui programmi molteplici

Il vostro timer d'irrigazione vi dà la possibilità di utilizzare 3 programmi autonomi (A,B,C). Un programma è ciò che vi consente di memorizzare tutte le impostazioni dell'irrigatore. Consiste nel raggruppamento di alcune stazioni, impostate per irrigare ad una certa ora, per un determinato periodo. I programmi molteplici vi consentono di azionare valvole differenti in giorni diversi, con durate diverse. Anche se molte applicazioni richiedono l'uso di un solo programma (A), l'uso di programmi molteplici potrebbe divenire utile per aree a gocciolamento, tappeti erbosi appena seminati, o per stazioni d'irrigazione a getto circolare. L'uso di un programma per raggruppare delle stazioni con esigenze d'irrigazione simili, renderà massima l'efficienza dell'irrigazione.

La programmazione di base può essere effettuata seguendo alcuni semplici passaggi.

Programmazione di base

Premere il tasto [RESET] per azzerare qualsiasi programma inserito dalla fabbrica

1. Impostazione dell'orologio

- Ruotare il quadrante su [SET CLOCK]
- Utilizzare i tasti [+/-] per impostare l'ora esatta

Suggerimento: per avanzare o retrocedere più rapidamente, tenere premuto il tasto [+] o il tasto [-] finché il display non entra in modalità di avanzamento rapido.

- Premere i tasti [◀ ▶] per impostare am/pm
- Ruotare il quadrante per confermare l'ora

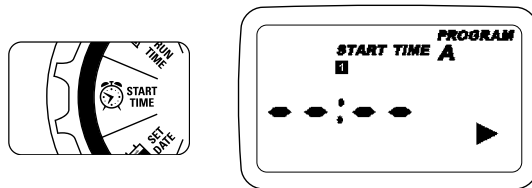
2. Impostazione della data

- Ruotare il quadrante su [SET DATE]
- Y/M/D (anno, mese, giorno) apparirà sul display (la lettera lampeggiante indica la selezione)
- Premere i tasti [+/-] per impostare l'anno corretto, quindi premere [ENTER] o [◀ ▶]
- Premere i tasti [+/-] per impostare il mese corretto, quindi premere [ENTER]
- Premere i tasti [+/-] per impostare la data corretta
- Ruotare il quadrante per confermare la data

3. Ora d'inizio

- Ruotare il quadrante su [START TIME]
- Premere i tasti [+/-] per selezionare l'ora scelta per iniziare l'irrigazione (l'ora si potrà regolare in incrementi di 15 minuti)

Il display visualizzerà:



Si prega di notare che [START TIME] è l'ora del giorno programmata per iniziare l'irrigazione. È possibile impostare fino a 4 orari differenti. Tutte le stazioni programmate per una durata specifica, si azioneranno in sequenza all'ora scelta

N.B.: accatastamento degli orari d'inizio

Quando un'ora d'inizio è impostata prima che il programma precedente sia terminato, l'ora d'inizio sarà "accatastata" o ritardata, e inizierà solo quando il programma precedente sarà terminato.

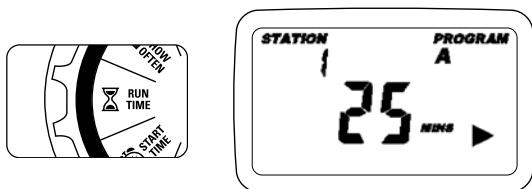
Esempio: Mario ha appena seminato del prato nuovo e vuole irrigare tre volte al giorno. Imposta START TIME 1 alle 5:00, START TIME 2 a mezzogiorno e START TIME 3 alle 17:00.

Imposta inoltre la frequenza dell'irrigazione (HOW OFTEN) su INT (intervallo) EVERY 1 DAYS (vedi paragrafo 3, FREQUENZA).

In modalità AUTO, il sistema irrigherà 3 volte al giorno. Quando la germinazione del prato è avvenuta, Mario potrà premere CLEAR e cancellare gli orari d'inizio 2 e 3 e ricominciare ad irrigare una sola volta al giorno.

4. Durata del ciclo

- Ruotare il quadrante su [RUN TIME]



STATION (STAZIONE) è la zona che sarà irrigata da ciascuna valvola. In questa videata sarà possibile impostare la durata del ciclo (RUN TIME) di ciascuna stazione.

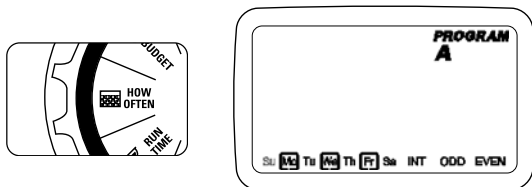
- Premere i tasti [◀ ▶] per selezionare una stazione e premere i tasti [+/-] per impostare la durata d'irrigazione per quella stazione.
- Premere [ENTER] o i tasti [◀ ▶] per avanzare alla stazione/valvola successiva, e impostare la durata d'irrigazione per ciascuna stazione.

5. Frequenza

- Ruotare il quadrante su [HOW OFTEN]. Questa videata vi consentirà di impostare la frequenza d'irrigazione.

Si forniscono 3 opzioni:

1. Giorni della settimana (lunedì, martedì, mercoledì, ecc...)
2. Intervalli (ogni "X" giorni)
3. Giorni pari o dispari



Giorni della settimana

- Il quadrante dovrebbe essere impostato su [HOW OFTEN]
 - Il display mostrerà il programma correntemente in uso (A, B o C)
 - Premere i tasti [◀ ▶] per avanzare da un giorno all'altro
 - Premere [+] o [ENTER] per selezionare il giorno d'irrigazione. I giorni selezionati saranno evidenziati da un riquadro.
- Per cancellare un giorno precedentemente selezionato, premere [-] o [CLEAR]

Esempio: lunedì, mercoledì e venerdì

Intervalli

- Premere i tasti [◀ ▶] per avanzare all'opzione INTERVALLO "INT"
- Premere i tasti [+/-] per selezionare il numero di giorni tra un'irrigazione e l'altra

Esempio: un intervallo di 1, irrigherà ogni giorno; un intervallo di 3 irrigherà ogni tre giorni, ecc...

Giorni pari o dispari

- Utilizzare i tasti [◀ ▶] per selezionare giorni d'irrigazione pari (EVEN) o dispari (ODD)
 - Premere [+] o [ENTER]
- Selezionando un'opzione differente o premendo il tasto CLEAR si potrà cancellare la selezione precedente

Esempio: dispari: 1°, 3°, 5°, ecc...

Esempio: pari: 2°, 4°, 6°, ecc...

Ruotare il quadrante su [AUTO] ed è fatto! Avete programmato il vostro timer!

Ruotare il quadrante su [AUTO] per avviare il programma

N.B.: se il vostro programma dovesse perdersi, la programmazione di sicurezza installata dalla fabbrica azionerà tutte le stazioni, ogni giorno per 10 minuti.

N.B.: il vostro programma precedente rimarrà indisturbato a meno che non sia alterato. Accertarsi sempre del programma correntemente in uso (A, B o C) quando si effettuano dei cambiamenti.

Verifica e modifica della programmazione

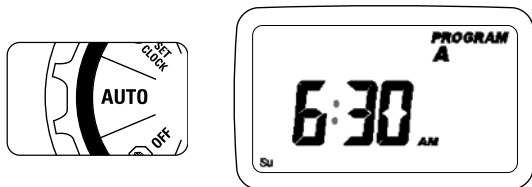
Se si desidera verificare o modificare gli orari d'inizio, la durata o la frequenza dell'irrigazione, è sufficiente seguire ancora le istruzioni per quel programma. Dopo aver verificato o modificato la programmazione d'irrigazione, occorre ricordarsi di riposizionare il quadrante su [AUTO] per attivare il funzionamento automatico.

4° Paragrafo: Funzioni ulteriori

Ritardo Pioggia (Rain Delay)

[RAIN DELAY] vi consente di posticipare l'irrigazione per un determinato periodo. Le impostazioni di pausa possibili sono di 24, 48 o 72 ore.

- Ruotare il quadrante su [AUTO]



- Premere il tasto [RAIN DELAY] per posticipare automaticamente l'irrigazione di 24 ore.
- Se si desidera impostare una pausa maggiore, premere e rilasciare i tasti [+/-] per aumentare o diminuire l'impostazione.
- Premere [ENTER] o attendere 10 secondi ed il ritardo pioggia sarà azionato.
- Il tasto [CLEAR] arresterà il ritardo pioggia e la regolare programmazione d'irrigazione sarà ripristinata.
- Al termine della durata selezionata per il ritardo pioggia, l'irrigazione sarà ripristinata.
- Durante la modalità di ritardo pioggia, il display del timer alternerà l'ora corrente e il tempo rimanente del ritardo pioggia, ogni 2 secondi

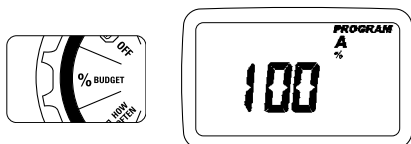
Portata idrica

Il tasto della portata idrica [Water Budgeting] è un modo semplice per regolare la durata d'irrigazione a seconda dei bisogni stagionali. La regolazione della portata idrica consiste nell'aumentare o diminuire la durata d'irrigazione di ogni stazione in ciascuno dei programmi. Premere il tasto [PROGRAM] per selezionare il programma di cui si desidera regolare la portata.

La gamma di regolazione va da 10% a 200%, tramite incrementi del 10%. Il valore predefinito è 100%. La portata rimarrà nella gamma scelta finché non verrà modificata.

Impostazione della portata:

- Ruotare il quadrante su [BUDGETING]



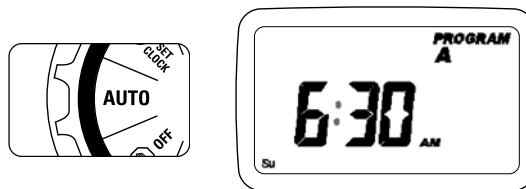
- Per regolare, premere i tasti [+/-], quindi premere [ENTER]
- Se si stanno usando programmi molteplici (A, B, o C), premere il tasto [PROGRAM] per selezionare il programma desiderato e per impostare le modifiche desiderate

Esempio: Mario ha impostato la durata dell'irrigazione a 60 minuti. In primavera però vuole irrigare la metà del tempo, quindi imposta la portata al 50%; il suo timer irrigherà per 30 minuti soltanto.

Irrigazione manuale

Il vostro timer vi permetterà di irrigare manualmente, senza interferire con il programma pre-impostato.

- Ruotare il quadrante su [AUTO]



- Premere il tasto [MANUAL]. Il display visualizzerà ABC e ALL (TUTTE). Dopo alcuni secondi, oppure premendo [ENTER], il timer inizierà l'irrigazione manuale
- Tutte le stazioni irrigheranno consecutivamente per la durata programmata

N.B.: se la durata d'irrigazione non è stata impostata, il timer non inizierà l'irrigazione manuale e il display visualizzerà l'ora corrente.

- Per specificare un programma o una stazione, premere i tasti [◀ ▶] per selezionare A, B o C.
- Premere [ENTER] per attivare
- Per selezionare una specifica stazione, premere i tasti [◀ ▶] finché il numero della stazione desiderata non appare
- Premere [+/-] per impostare la durata desiderata, da 1 a 240 minuti
- Aspettare 5 secondi e la stazione si attiverà
- Per cancellare l'irrigazione manuale, premere [CLEAR]
- Il timer ritornerà alla programmazione automatica iniziale.

Esempio: per irrigare manualmente la stazione n. 3 per 5 minuti, premere il tasto [MANUAL], quindi premere i tasti [◀ ▶] finché la stazione n. 3 non appare. Utilizzando i tasti [+/-], impostare la durata a cinque minuti, quindi premere [ENTER].

N.B.: dopo aver premuto il tasto [MANUAL], se non si seleziona nulla nell'arco di 5 secondi, tutte le stazioni e tutti i programmi inizieranno l'irrigazione per le durate programmate. Se non si è impostata alcuna durata (RUN TIME), non succederà nulla ed il display ritornerà all'ora del giorno.

Collegamento del sensore pioggia

- Collegare i fili del sensore pioggia ai morsetti etichettati "Sensor" (di colore giallo)

N.B.: riferirsi al manuale del vostro sensore pioggia per istruzioni di collegamento specifiche.

- Lasciare l'interruttore on/off sulla posizione "on" per attivare (vedi figura 6)

Bypass del sensore pioggia

Il timer è dotato di un interruttore "on/off" per la disattivazione del sensore. Lo scopo di quest'interruttore è quello di poter usare il timer anche quando il sensore pioggia è azionato, durante fasi di manutenzione o di riparazione.

Importante: se l'interruttore del sensore è posizionato su "on" e nessun sensore è collegato, il timer non sarà azionato. Per ripristinare il regolare funzionamento del timer, posizionare l'interruttore su "off"

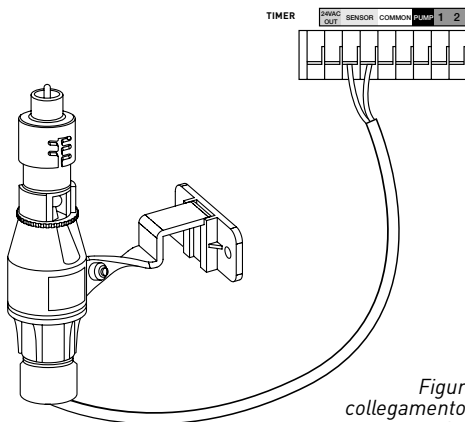


Figura 6:
collegamento del
sensore pioggia

Pompa di avviamento e valvola principale

Il timer permette ad un relè per la valvola principale o per la pompa di avviamento di funzionare quando una determinata stazione è azionata.

N.B.: se state azionando una pompa dal timer, occorrerà acquistare un relè per la pompa di avviamento. Dal relè della pompa di avviamento (o della valvola principale), connettere un filo al morsetto contrassegnato "Pump" e il filo rimanente al morsetto contrassegnato "Common".

Sostituzione della batteria

Il timer richiede una batteria al litio CR2032

- La batteria riterrà in memoria il vostro programma in caso vi sia una perdita di corrente
- La batteria dovrebbe durare per un anno circa
- Aprire facendo scorrere il compartimento della batteria verso destra
- Inserire una batteria CR2032 nel compartimento, con il lato contrassegnato dal segno + rivolto verso l'alto
- Chiudere nuovamente.

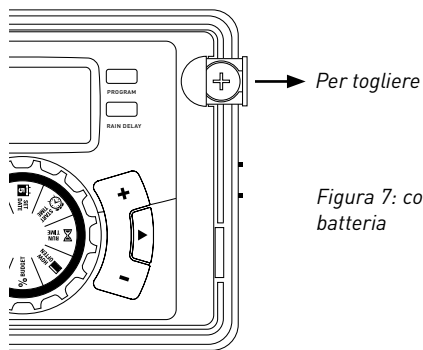


Figura 7: compartimento
batteria

Una batteria non completamente carica, o del tutto assente, potrebbe causare la cancellazione della data e dell'ora in seguito ad un'interruzione di corrente. Se ciò dovesse accadere, occorrerà inserire una batteria completamente carica e riprogrammare il timer.

Suggerimento: per non perdere la programmazione, sostituire la batteria ogni anno

N.B.: la sola batteria non permetterà di azionare le valvole del vostro sistema d'irrigazione. Il timer è dotato di un trasformatore intrinseco che deve essere collegato ad una fonte di alimentazione a corrente alternata.

5° Paragrafo: Riferimenti

TERMINE	DEFINIZIONE
ORA D'INIZIO	L'ora in cui il programma inizia ad irrigare la prima stazione programmata.
VALVOLA	Fornisce acqua ad una stazione o area specifica. L'apertura e la chiusura della valvola avvengono grazie alla corrente elettrica fornita dal timer.
VALVOLA PRINCIPALE	Tipicamente situata alla sorgente idrica principale. Accende e spegne l'acqua per l'intero sistema d'irrigazione se non è in uso.
ORARI D'INIZIO MOLTEPLICI	Una funzione del timer che permette al programma di operare molteplici volte durante lo stesso giorno d'irrigazione.
PROGRAMMI SOVRAPPOSTI	Quando un'ora d'inizio è impostata prima che il programma precedente sia finito.
PROGRAMMA (A, B O C)	Programmi individuali impostati dall'utente. Ciascun programma funziona autonomamente. Se un programma si sovrappone ad un altro, i programmi saranno "accatastati". Una volta finito il primo programma, il secondo inizierà.
RITARDO PIOGGIA	Una funzione che posticipa l'avviamento di un'irrigazione programmata per una durata specifica.
SOLENOIDE	La parte elettrica di una valvola che permette alla valvola stessa di aprirsi e chiudersi.
TIMER D'IRRIGAZIONE	Un dispositivo che regola il funzionamento delle valvole.
STAZIONE	Un gruppo di irrigatori messi in funzione da una singola valvola controllata dal timer.
PORTATA IDRICA	Regola il vostro programma d'irrigazione generale riducendolo ad una percentuale della durata totale dell'irrigazione.

Risoluzione dei problemi

PROBLEMA	CAUSA POSSIBILE
Una o più valvole non si accendono	1. Il collegamento del solenoide è guasto
	2. Il filo è danneggiato o rotto
	3. Lo stelo del comando del flusso è troppo avvitato e chiude la valvola
	4. Programmazione scorretta
Le stazioni si accendono quando non dovrebbero	1. Elevata pressione idrica
	2. Più di un'ora d'inizio programmata
	3. AM/PM impostati scorrettamente
Una stazione è bloccata e non si riesce a spegnere	1. Valvola guasta
	2. Valvola intasata da terriccio o detriti
	3. Diaframma della valvola guasto
Nessuna valvola si accende	1. Trasformatore difettoso o non collegato
	2. Programmazione scorretta
Il timer non si accende	1. Il trasformatore non è collegato ad una presa di corrente funzionante
Le valvole continuano ad accendersi e spegnersi fuori programma	1. Sono stati programmati più orari d'inizio, uno sovrapposto all'altro
	2. Elevata pressione

ASSISTENZA:

1-800-488-6156 o 1-801-299-5555

www.orbitonline.com

Si prega di contattare il Servizio di Assistenza Tecnica Orbit® ai numeri 1-800-488-6156, 1-801-299-5555 prima di restituire al rivenditore il vostro timer d'irrigazione

OMOLOGAZIONI

Questo timer d'irrigazione ha superato il test UL-50 ed è omologato ETL®. I modelli internazionali competenti sono approvati secondo le norme CSA® e CE®. Questo apparecchio digitale di classe B è conforme alle normative canadesi ICES-003.

Sconnessione: tipo 1Y

Condizioni di inquinamento nella norma.

Il filo elettrico in dotazione può essere sostituito esclusivamente dalla fabbrica o da un suo rappresentante tecnico autorizzato. .

MARCHIO DI REGISTRAZIONE

WaterMaster® è un marchio registrato di e Orbit® Irrigation Products, Inc. Le informazioni contenute in questo manuale sono intese per l'utente che voglia programmare un'irrigazione e impostarla nel timer. Questo prodotto è stato progettato per essere utilizzato come timer automatico e attivare valvole d'irrigazione da 24 V c.a., come descritto nel presente manuale.

GARANZIA

Orbit® Irrigation Products, Inc. garantisce ai propri clienti che i prodotti sono privi di difetti di materiale e di fabbricazione per un periodo di 2 anni dalla data di acquisto.

Sostituiamo gratuitamente il componente o i componenti difettosi che si sono dimostrati essere tali durante un uso e una prestazione normali, fino a 2 anni dall'acquisto (è richiesta la prova d'acquisto).

Ci riserviamo il diritto di esaminare il componente difettoso prima di procedere alla sostituzione.

Orbit® Irrigation Products, Inc. non si assume la responsabilità di costi o danni, conseguenti o incidentali, causati dal malfunzionamento del prodotto. La responsabilità di questa garanzia Orbit® è limitata esclusivamente alla sostituzione o alla riparazione dei componenti difettosi.

Per usufruire della garanzia, è necessario restituire il prodotto al proprio rivenditore, unitamente ad una copia della ricevuta fiscale.

L'apparecchio è conforme alla Sezione 15 delle normative della FCC (Federal Communications Commission). Il funzionamento dell'apparecchio deve rispettare le due condizioni seguenti: (1) questo apparecchio non può causare interferenze dannose e (2) deve essere in grado di ricevere interferenze, incluse quelle che potrebbero causare un malfunzionamento del prodotto stesso.

Avvertenza: alterazioni o modifiche apportate a questo apparecchio che non siano state approvate dalle autorità competenti, potrebbero annullare il diritto di operare l'apparecchio.

N.B.: questo prodotto è stato sottoposto a minuziosi test ed è risultato conforme ai limiti relativi ai dispositivi digitali di classe B, come delineato dalla sezione 15 delle normative della FCC (Federal Communications Commission). Tali limiti sono concepiti per fornire un ragionevole livello di protezione contro le interferenze dannose in un'installazione residenziale. Questo dispositivo genera, utilizza e può irradiare energia a radiofrequenze, e, se non utilizzato in ottemperanza alle istruzioni, potrebbe causare interferenze dannose alle radiocomunicazioni. Non esiste tuttavia alcuna garanzia che in una particolare installazione non si verifichino interferenze. Se il presente dispositivo causa interferenze dannose alla ricezione radiotelevisiva, che possono facilmente essere detette spegnendo e riaccendendo l'apparecchio, l'utente dovrà provare a correggere ed eliminare tali interferenze eseguendo una o più delle seguenti operazioni:

- Riorientare o riposizionare l'antenna di ricezione
- Aumentare la distanza tra il dispositivo che provoca interferenza ed il ricevitore.
- Collegare il dispositivo ad una presa di corrente diversa da quella del ricevitore.
- Per assistenza, consultare il rivenditore o un tecnico radio e TV specializzato

Attenzione: non permettere a bambini o persone inferme di utilizzare questo apparecchio senza alcuna supervisione. Sorvegliare i bambini piccoli per assicurarsi che non giochino con l'apparecchio.

Gratulujemy wyboru sterownika Orbit!
Dzięki systemowi Easy-Set Logic™ firmy Orbit, proste programowanie i ustawianie są połączone poprzez najnowszą technologię sterowników czasowych.

Nasz sterownik zapewnia wygodę i elastyczność, pozwalając na wybranie całkowicie automatycznego, półautomatycznego lub manualnego programu podlewania. Choć nasz sterownik jest taki łatwy do programowania, jeśli prawdopodobnie instrukcja nie będzie potrzebna, zalecamy jednak jej przeczytanie w całości przed instalacją, aby dobrze zrozumieć wszystkie jego zaawansowane funkcje.

Spis treści

Rozdział 1: Zapoznanie się ze sterownikiem.	64
Rozdział 2: Instalacja.	65
Rozdział 3: Programowanie z użyciem Easy-Set Logic™	69
Rozdział 4: Dodatkowe cechy	71
Rozdział 5: Referencje.	73

Dzięki aplikacji Orbit® B-hyve™ Lite nie musisz zgadywać, jak najlepiej zaprogramować tajmer zraszacza!

Powiadomienia o pogodzie



Kontrola zużycia wody



Sugestie do programowania



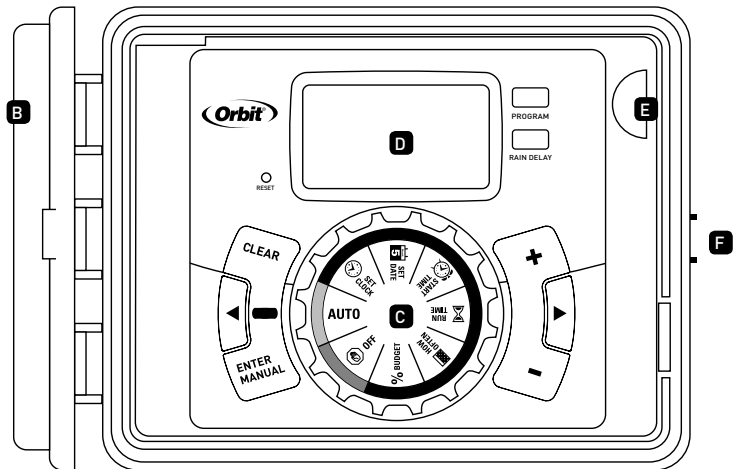
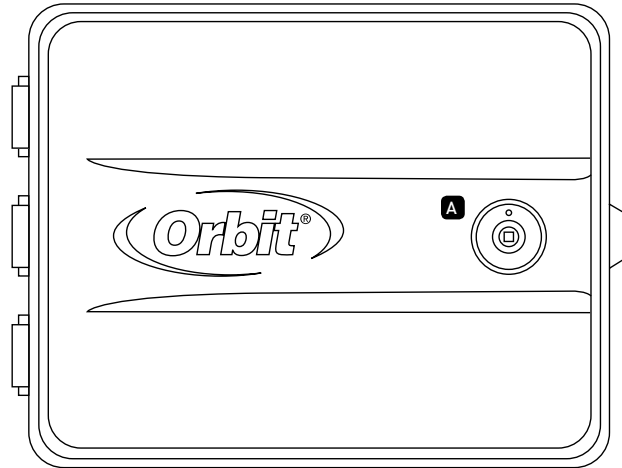
Identyfikacja stref






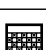

TAJMER ZRASZACZA EASY-SET LOGIC© NIE JEST PRZYSTOSOWANY DO PRACY Z WIFI. Aplikacja B-hyve™ Lite oferuje zalecenia do programowania i regulacji, które można wprowadzić ręcznie, poprawiając potencjalnie zużycie wody.

Rozdział 1: Zapoznanie się ze sterownikiem

- A** Zamek i zatrzask
- B** Pokrywa zabezpieczająca przed niesprzyjającymi warunkami atmosferycznymi
- C** Przetąacznik wyboru
- D** Wyświetlacz cyfrowy
- E** Komora baterii
- F** Wahadłowy panel drzwiczek



Przyciski	Funkcja
ENTER MANUAL	Potwierdzenie nowego ustawienia. Do podlewania ręcznego.
CLEAR	Usunięcie ustawienia.
PROGRAM	Przejdźcie do innych programów: A, B i C.
STRZAŁKA [▶]	Przejdźcie do następnego ustawienia / stacji podlewania lub przejdźcie do innych programów / ustawień.
STRZAŁKA [◀]	Przejdźcie do poprzedniego ustawienia / stacji podlewania lub przejdźcie do innych programów / ustawień.
RAIN DELAY	Opóźnienie nawadniania na 24-72 godziny z powodu deszczu lub innych czynników.
[+]	Zwiększenie ustawień liczbowych.
[-]	Zmniejszenie ustawień liczbowych.

Pozycja przetącznika wyboru	Funkcja
AUTO	Nastawiony program pracuje.
 SET CLOCK	Ustawianie czasu zegara.
 SET DATE	Ustawianie roku, miesiąca i dnia.
 START TIME	Ustawianie czasu rozpoczęcia, rok, miesiąc i dzień.
 RUN TIME	Ustawianie czasu trwania podlewania dla każdej sekcji.
 HOW OFTEN	Ustawianie częstotliwości dni podlewania.
% BUDGET	Budżet wody.
 OFF	Wyłączenie wszystkich stanowisk / funkcji.

Rozdział 2: Instalacja

Wymagane narzędzia

- Śrubokręt Phillips.
- Kleszcze do usuwania izolacji z przewodów.

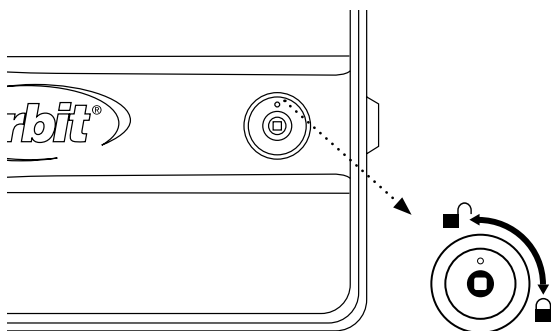
Etapy instalacji

1. Wybrać lokalizację.
2. Zamontować sterownik.
3. Podłączyć przewody zaworów do sterownika.
4. Podłączyć zasilanie elektryczne.
5. Zakończyć baterie.

1. Wybór lokalizacji

Wybierając lokalizację dla sterownika, należy uwzględnić następujące czynniki:

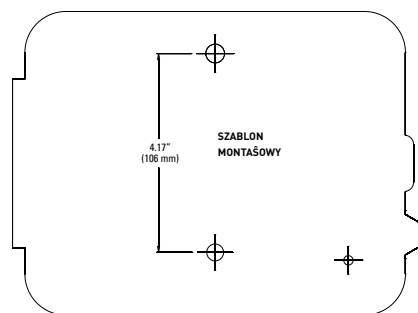
- Wybrać lokalizację w pobliżu źródła zasilania (jeżeli sterownik jest podłączany kablem).
- Upewnić się czy temperatura robocza nie jest poniżej 32°.
- Jeżeli to możliwe, nie narażać urządzenia na bezpośrednie promieniowanie słoneczne.
- Zapewnić co najmniej 9 cali wolnej przestrzeni na lewo od skrzynki sterownika, aby zapewnić możliwość otwarcia drzwiczek po zainstalowaniu.
- Wybrać lokalizację, w której jest łatwy dostęp do elektrozaworów. Jeżeli urządzenie jest montowane na zewnątrz budynku, zamknąć drzwiczki, aby zabezpieczyć regulator czasowy przed uszkodzeniami z powodu warunków atmosferycznych. W celu zamknięcia: włożyć klucz i przekręcić w kierunku zegarowym do położenia zamkniętego.



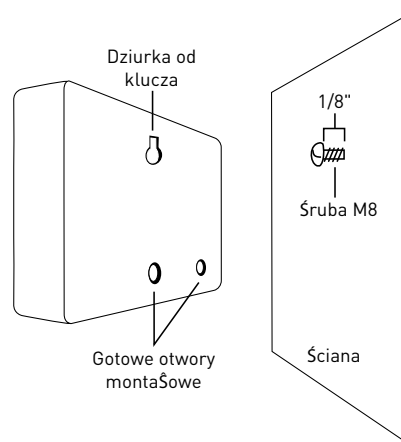
Uwaga: Sterowniki są odporne na warunki atmosferyczne według UL-50 i ETL® Listings, ale nie powinny być umieszczane w obszarach, w których występująca ciągle woda mogłaby spowodować uszkodzenie.

2. Montaż sterownika

- Wykorzystać szablon montażowy (załączony) do zaznaczenia miejsca śruby mocującej na ścianie. *Zobacz rysunek 1.*
- Zainstalować śrubę M 8 (załączoną) w ścianie w górnej części szablonu. Łeb śruby powinien wystawać ze ściany około 1/8" (3 mm). W celu zapewnienia dobrego zamocowania należy zastosować kotki rozporowe (załączone) do tynku lub muru.
- Nasunąć sterownik na wystającą śrubę (wykorzystując szczelinę w tylnej części sterownika). *Zobacz rysunek 2.*
- Przeprowadzić śrubę M 8 przez jeden z dwóch otworów znajdujących się w tylnej części urządzenia. *Zobacz rysunek 2.*



Rysunek 1: Wykorzystać załączony szablon montażowy.



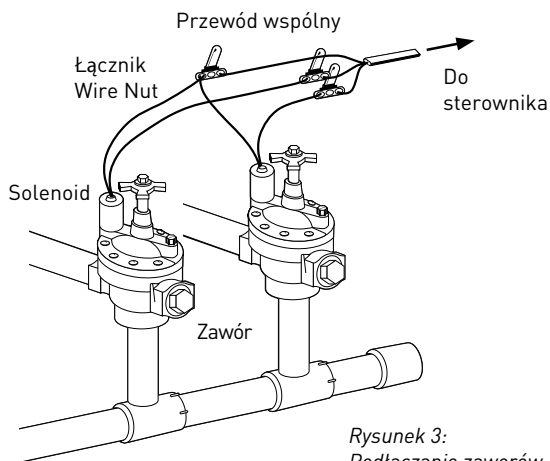
Rysunek 2: Zawiesić sterownik wykorzystując "dziurkę od klucza".

3. Podłączenie przewodów zaworów do sterownika

- Usunąć izolację na długości 1/2" (12 mm) od końca każdego przewodu sterownika i zaworów.
- Podłączyć przewód z każdego zaworu (nie waŹne który przewód) do pojedynczego "Wspólnego" wejścia (zwykle białego).
- Podłączyć pozostały przewód z każdego zaworu do oddzielnego kolorowego wejścia. Zobacz rysunek 3

Uwaga: Maksymalne obciążenie każdego stanowiska / pompy wynosi 250 mA, maksymalne obciążenie dla sterownika wynosi 500 mA.

JeŹeli odległość między sterownikiem a zaworami jest mniejsza niŹ 700 stóp [210 m], naleŹy uŹyć przewodu Orbit® lub przewodu termostatowego 20 AWG w ostonie z tworzywa sztucznego do podłączenia sterownika z zaworami. JeŹeli odległość jest większa niŹ 700 stóp [210 m], naleŹy uŹyć przewodu 16 AWG.



Rysunek 3:
Podłączenie zaworów elektrycznych

WaŹne: Wszystkie przewody powinny być łączone ze sobą za pomocą łączników Wire Nut, lutowania i/lub taśmy winylowej. W mokrych środowiskach, takich jak skrzynka zaworu, zaleca się stosowanie nakładek Orbit Grease Caps, chroniących przed korozją połączenia i przed przedostawaniem się wody.

Łączenie zaworów elektrycznych

Usunąć izolację na długości 1/2" (12 mm) od końca każdego przewodu. Każdy zawór ma dwa przewody. Jeden przewód

(nie waŹne który) naleŹy podłączyć jako wspólny. Drugi przewód zaworu naleŹy podłączyć do przewodu określonego stanowiska, które będzie sterowało tym zaworem. Przewody wspólne dla wszystkich zaworów mogą być łączone razem do jednego wspólnego przewodu prowadzącego do sterownika. Aby uniknąć zagroŹeń elektrycznych, tylko jeden zawór moŹe być podłączony do każdego stanowiska. Zobacz rysunek 4.

WaŹne: Przewody mogą być zakopane w ziemi; jednak w celu zapewnienia lepszej ochrony przewody moŹna umieścić w rurach PVC i zakopać w ziemi. NaleŹy uwaŹać, aby nie zakopać przewodów w miejscu, gdzie mogą one zostać uszkodzone z powodu prowadzenia wykopów w przyszłości.

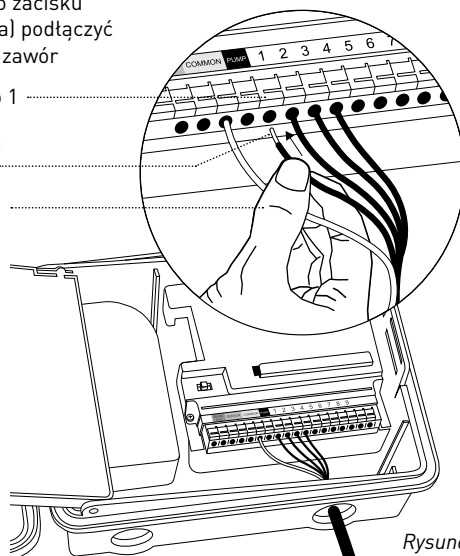
Sterownik jest wyposażony w proste wtykowe listwy zaciskowe, zapewniające łatwość prac łączeniowych. Podłączyć przewód wspólny do zacisku wspólnego. Podłączyć pozostałe przewody do odpowiednich zacisków.

Do każdego zacisku (Stanowiska) podłączyć tylko jeden zawór

Stanowisko 1

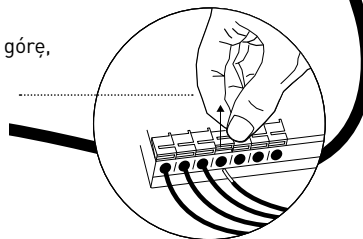
Odizolować przewód

Wepchnąć



Rysunek 4

Naciskać w górę, aby zwolnić przewód



4. Podłączanie zasilania elektrycznego

Lokalizacje wewnątrz budynku – Wtosić wtyczkę do gniazda elektrycznego 230 V.

Lokalizacje na zewnątrz budynków – JeŚli dostępne jest gniazdo z zabezpieczeniem ziemnozwarciowym (GFI), wtosić wtyczkę do gniazda 230 V. JeŚli nie jest dostępne Śadne gniazdo, sterownik musi być podłączony przewodami na stałe [*zobacz rysunek 5]

- Wytoczyć zasilanie prądem zmiennym za pomocą wtycznika i zastosować odpowiednie zabezpieczenie przed załączeniem. Sprawdzić za pomocą woltomierza ustawionego na odpowiedni zakres pomiarowy czy zasilanie miejsca instalacji zostało odtoczone.
- Zastosować przewody zasilające o przekroju minimum 14 AWG dla temperatury nominalnej 68°C lub wy Śszej.
- Zainstalować rurę kablową i związane łącniki. Podłączyć kabel zasilania prądem zmiennym do Źródła zasilania zgodnie ze wszystkimi odpowiednimi przepisami i normami.
- Podłączyć puszkę połączeniową do sterownika za pomocą złączki wkrętnej 1/2" (Puszka połączeniowa i złączka skrętna nie są dostarczane). [Zobacz Rysunek 5] Podłączyć rurę kablową zasilania elektrycznego do wejścia puszkę połączeniowej, przestrzegając wszystkich odpowiednich przepisów.
- Wyjąć kabel (biegnący ze sterownika do puszkę połączeniowej) z puszkę połączeniowej i przyciąć na odpowiednią długość. Usunąć zewnętrzną izolację kabla, aby odstąpić trzy przewody.
- Podłączyć przewody ze Źródła zasilania do przewodów wystających ze sterownika.
- W przypadku Europy: Przewód fazowy jest brązowy a neutralny jest niebieski, nie jest wymagane połączenie uziemiające. Upewnić się czy wszystkie przewody są podłączone do odpowiedniego przewodu Źródła zasilania.
- Upewnić się czy wszystkie połączenia są wykonane za pomocą odpowiednich złączek izolowanych.
- Załosić uszczelkę zabezpieczającą przed wpływami atmosferycznymi i pokrywę na puszkę połączeniową.
- Załączyć zasilanie prądu zmiennego za pomocą wtycznika.

WaŚne: Instalacja z wykorzystaniem stałego połączenia elektrycznego

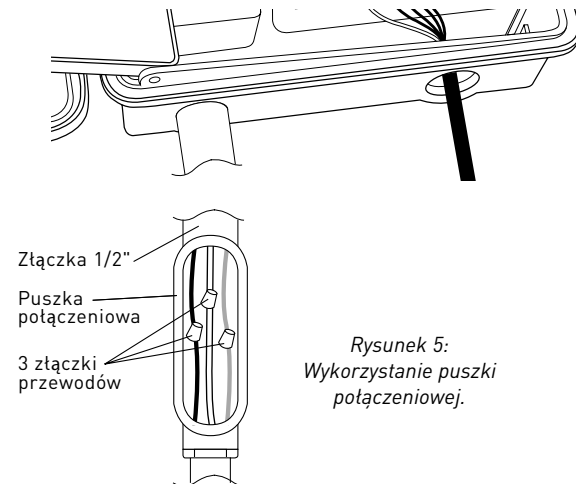
Sterownik ma wbudowany transformator, który musi być

podłączony do Źródła zasilania prądem zmiennym. Wymagania dotyczące zasilania elektrycznego są podane na tylnej ścianie sterownika. Lokalne przepisy budowlane i elektryczne wymagają zwykle, aby do podłączania zewnętrznych urządzeń montowanych na ścianach były uŚywane odpowiednie zatwierdzone rury łącniki elektryczne. Proszę zapoznać się z przepisami lokalnymi. Wszelkie połączenia stałe powinny być wykonywane przez wykonawcę robót elektrycznych posiadającego odpowiednią koncesję, zgodnie z wymaganiami Krajowych Przepisów Elektrycznych oraz innych przepisów krajowych i lokalnych.

Sterownik ma dwa otwory w dolnej części do wprowadzenia przewodów. Do podłączenia przekaźnika czasowego spryskiwacza do puszkę połączeniowej naleŚy wykorzystać standardową złączkę wkrętą 1/2". Zarówno złączka jak i puszkę połączeniowa musi być zgodna z atestem UL lub równorzędna albo zgodna z normami IEC lub EN lub równowaŚnymi.

Przewody mogą być zakopane w ziemi; jednak w celu zapewnienia lepszej ochrony przewody naleŚy umieścić w rurach i zakopać w ziemi. NaleŚy uwaŚać, aby nie zakopać przewodów w miejscu, gdzie mogą one zostać uszkodzone z powodu prowadzenia wykopów w przyszłości.

OstroŚnie: Nie podłączać sterownika do jednej fazy zasilania trójfazowego uŚywanego przez pompę lub inne urządzenia elektryczne.



Rysunek 5:
Wykorzystanie puszkę połączeniowej.

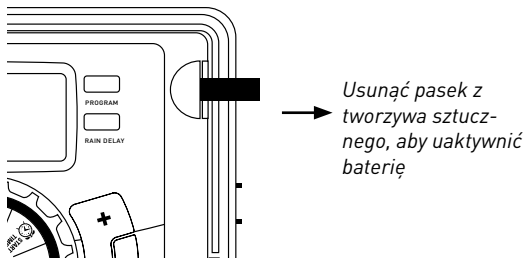
Uwaga: W przypadku zastosowań zewnętrznych zaleca się wykonanie kompletnej instalacji elektrycznej przez wykwalifikowanego elektryka zgodnie z przepisami elektrycznymi i innymi przepisami. W przypadku wykorzystania na zewnątrz budynku, sterownik jest przeznaczony do uŚywania w obwodzie z ochroną ziemnozwarciową.

5. Zakładanie baterii

Jedna bateria litowa CR2032 (dostarczana) jest wymagana do podtrzymywania programu w pamięci w razie utraty zasilania. Zaleca się wymieniać baterię raz na rok.

Usunąć pasek z tworzywa sztucznego, aby uruchomić zainstalowaną fabrycznie baterię.

[Zobacz stronę 12 opisującą wymianę baterii].



Uwaga: Bateria nie stanowi zasilania dla zaworów. Sterownik ma wbudowany transformator, który musi być podłączony do źródła zasilania prądem zmiennym.

Rozdział 3: Programowanie z uŚyciem Easy-Set Logic™

Uwaga na temat róŚnych programów

Sterownik zapewnia moŚliwość wykorzystania 3 niezależnych programów (A, B, C). W programie moŚna przechowywać wszystkie ustawienia. Składa się z grupy stanowisk nastawionych na specyficzne czasy rozpoczęcia i czasy pracy. RóŚne programy umoŚliwiają pracę róŚnych zaworów w róŚne dni przy róŚnych czasach pracy. ChociaŚ wiele zastosowań wymaga tylko jednego programu [A], to wykorzystanie kilku programów moŚe być przydatne dla obszarów ściekowych, nowych trawników lub stanowisk ze spryskiwaczami obrotowymi. Wykorzystanie programów do grupowania stanowisk o podobnych potrzebach w zakresie wody pozwoli na maksymalizację wydajności nawadniania.

Programowanie podstawowe moŚna wykonać w kilku prostych krokach.

Programowanie podstawowe

Nacisnąć [RESET], aby usunąć wszelkie poprzednie programowanie fabryczne.

1. Set Clock (Ustawianie zegara)

- Turn dial to [SET CLOCK]

- Nacisnąć przyciski [+/-], aby ustawić bieŚącą datę.

Podpowieź: W celu szybszego zwiększania lub zmniejszania naleŚy przytrzymać dłuŚej przycisk [+] lub [-] do chwili, aŚ wyświetlacz przejdzie do trybu szybkiego przestawiania wartości.

- Nacisnąć przyciski [◀ ▶], aby nastawić am/pm (rano/ po południu).
- Przekręcić tarczę, aby zaakceptować czas.

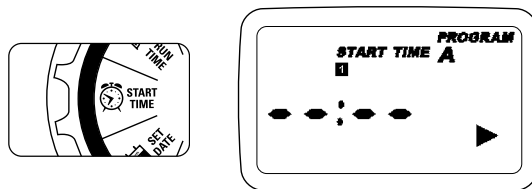
2. Set Date (Ustawianie daty)

- Przekręcić tarczę, aby ustawić datę [SET DATE].
- Pojawia się litery Y/M/D (R/M/D) (migająca litera oznacza wybór).
- Nacisnąć przyciski [+/-], aby ustawić prawidłowy rok, a następnie nacisnąć [ENTER] lub [◀ ▶]
- Nacisnąć przyciski [+/-], aby ustawić prawidłowy miesiąc, a następnie nacisnąć [ENTER].
- Nacisnąć przyciski [+/-], aby ustawić prawidłową datę.
- Przekręcić tarczę, aby zaakceptować datę.

3. Start time (Czas rozpoczęcia)

- Przekręcić tarczę, aby ustawić Czas rozpoczęcia [START TIME].
- Nacisnąć przyciski [+/-], aby wybrać czas rozpoczęcia podlewania (czas moŚna regulować w odstępach 15 minut).

Wyświetlacz pokaŚe:



Proszę pamiętać, Śe czas rozpoczęcia [START TIME] jest czasem w ciągu dnia, kiedy rozpoczyna się zaprogramowane podlewanie. MoŚna ustawić do 4 czasów rozpoczęcia. Wszystkie stanowiska, które mają zaprogramowany czas pracy (jak dtugo) będą pracować w sekwencji w tych czasach.

Uwaga: Spiętrzanie czasu rozpoczęcia

Kiedy czas rozpoczęcia zostanie ustawiony przed zakończeniem poprzedniego programu, ten czas rozpoczęcia zostanie "spiętrzony" lub opóźniony i rozpocznie się po zakończeniu poprzedniego programu.

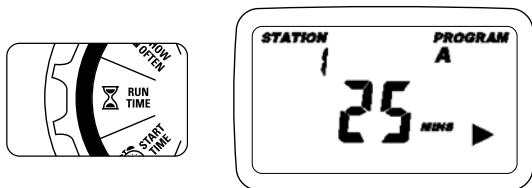
Przykład: Tomek zasiał właśnie nowe nasiona trawy i chce podlewać trzy razy dziennie. Ustawia START TIME 1 na 5am, START TIME 2 na 12pm, oraz START TIME 3 na 5 pm.

Ustawia również HOW OFTEN (JAK CZĘSTO) na INT (okres) EVERY 1 DAYS (CO 1 DZIEŃ) (zobacz rozdział 3, HOW OFTEN).

W trybie AUTO system będzie podlewał 3 razy dziennie. Kiedy darnina Tomka ustabilizuje się, może on usunąć czasy rozpoczęcia 2 i 3 i powrócić do podlewania tylko raz na dzień.

4. Run Time (Czas pracy)

- Przekręcić tarczę do pozycji [RUN TIME].



STATION (SEKCJA) jest obszarem, który będzie podlewany przez każdy zawór. Na tym ekranie ustawia się RUN TIME (CZAS PRACY) lub czas trwania każdego stanowiska.

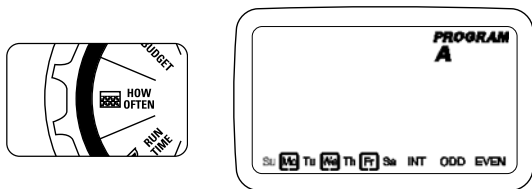
- Naciskać przyciski [◀ ▶], aby wybrać stanowisko i naciskać przyciski [+/-], aby wprowadzić czas trwania podlewania dla tego stanowiska.
- Nacisnąć przyciski [ENTER] lub przyciski [◀ ▶], aby przejść do następnego stanowiska / zaworu i wprowadzić czas trwania podlewania dla każdego stanowiska.

5. How Often (Jak często)

- Przekręcić tarczę do pozycji [HOW OFTEN] (JAK CZĘSTO) – ekran ten pozwala ustawić jak często ma następować podlewanie.

Są zapewnione 3 opcje:

1. Dni tygodnia (Mon, Tues, Wed, itd. – pon, wto, śro)
2. Okresy (co "X" dni)
3. Dni nieparzyste (Odd days) lub parzyste (Even days)



Dni tygodnia

- Tarcza powinna być ustawiona na [HOW OFTEN]
 - Wyświetlacz pokaże bieżący program (A, B lub C)
 - Naciskać przyciski [◀ ▶], aby przenosić się z jednego dnia na drugi.
 - Naciskać [+] lub [ENTER], aby wybrać dzień podlewania. Wokół wybranych dni pojawią się ramki.
- Aby usunąć wprowadzony wcześniej dzień, należy nacisnąć przycisk [-] lub [CLEAR]. Przykład: Poniedziałek, środa i piątek.

Okresy

- Skorzystać z przycisków [◀ ▶], aby przejść do opcji INTERVAL "INT".
- Naciskać przyciski [+/-], aby wybrać liczbę dni między kolejnym podlewaniami.

Przykład: Przy ustawieniu okresu 1, podlewanie będzie odbywać się codziennie; przy ustawieniu okresu na 3, podlewanie będzie odbywać się co trzy dni, itd.

Dni nieparzyste (Odd) lub parzyste (Even)

- Skorzystać z przycisków [◀ ▶] aby przejść do opcji podlewania w dni nieparzyste ODD lub parzyste EVEN.
 - Nacisnąć przycisk [+] lub [ENTER].
- Wybranie innej opcji lub naciśnięcie przycisku "clear" spowoduje usunięcie poprzedniego wyboru.

Przykład: Odd: 1st (1-szy), 3rd (3-ci), 5th (5-ty), itd.

Przykład: Even: 2nd (2-gi), 4th (4-ty), 6th (6-ty), itd.

Przekręcić tarczę do pozycji [AUTO] i zakończyć w ten sposób programowanie. Regulator czasowy jest zaprogramowany!

Przekręcić tarczę do położenia [AUTO], aby uaktywnić program.

Uwaga: W przypadku utraty programu, fabrycznie zainstalowany program awaryjny, który włączy każde stanowisko codziennie przez 10 minut.

Uwaga: Poprzednie programowanie nie zostanie zakłócone, jeśli nie zostanie zmienione. W czasie dokonywania zmian należy zwracać uwagę na to, w którym programie dokonujemy zmian (A, B lub C).

Przeglądanie i zmiana programu

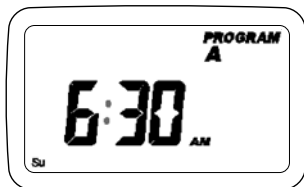
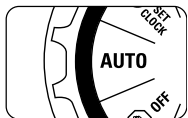
Jeśli chcemy dokonać kontroli lub zmienić czasy rozpoczęcia, czasy pracy, lub częstotliwość podlewania, wystarczy wykonać ponownie wskazówki dla danej opcji. Po dokonaniu kontroli lub zmiany harmonogramu podlewania, należy pamiętać o przekręceniu tracy z powrotem do pozycji [AUTO], aby zapewnić pracę automatyczną.

Rozdział 4: Dodatkowe cechy

Rain Delay (Opóźnienie nawadniania)

Funkcja [RAIN DELAY] pozwala zastosować zwłokę dla sterownika w podlewaniu o określony okres czasu. Ustawienia opóźnienia wynoszą 24, 48 i 72 godziny.

- Przekręcić tarczę do położenia [AUTO].



- Nacisnąć przycisk [RAIN DELAY], aby automatycznie opóźnić podlewanie o 24 godziny.
- Jeśli potrzebny jest dłuższy okres zwłoki Rain Delay, należy wykorzystać przyciski [+/-], aby zwiększyć lub zmniejszyć ustawienie.
- Nacisnąć [ENTER] lub odczekać 10 sekund, wybrana zwłoka z powodu deszczu rozpocznie się.
- Za pomocą przycisku [CLEAR] można usunąć zwłokę deszczową i nastąpi powrót do harmonogramu podlewania.
- Po upływie okresu wybranej zwłoki deszczowej, zostaje przywrócone podlewanie automatyczne.
- W trakcie trybu zwłoki deszczowej, wyświetlacz regulatora czasu przetacza się między pokazywaniem aktualnego czasu a wyświetlaniem liczby pozostałych godzin zwłoki, co 2 sekundy.

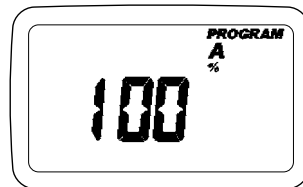
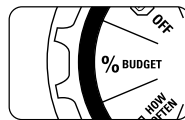
BudŜet wody

BudŜet wody (Water Budgeting) jest prostym sposobem regulacji czasu trwania podlewania i dopasowania do sezonowych potrzeb w zakresie podlewania. BudŜet wody działa poprzez zwiększanie lub zmniejszanie czasu trwania podlewania dla wszystkich stanowisk w kaŜdym programie. Nacisnąć przycisk [PROGRAM], aby wybrać program, dla którego będzie zastosowana funkcja budŜetu wody.

Zakres regulacji wynosi od 10% do 200% w przyrostach co 10%. Wartością domyŝlną jest 100%. BudŜet wody pozostanie w ustawionym zakresie, dopóki nie zostanie zmieniony.

Aby ustawić budŜet wody

- Przekręcić tarczę do położenia [BUDGETING]



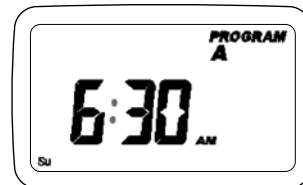
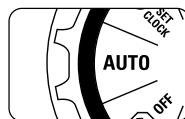
- W celu dokonania regulacji naciskać przyciski [+/-], nacisnąć [ENTER].
- Jeśli uŜywane s różne programy (A, B lub C): Nacisnąć przycisk [PROGRAM], aby przejść do odpowiedniego programu i dokonać odpowiednich regulacji.

Przykad: Tomek ma nastawiony czas trwania podlewania na 60 minut, jednak jest wiosna, wiec potrzebuje podlewac przez czas o poowe kroœzy, dlatego ustawia budŜet wody na 50% i jego sterownik bedzie teraz zapewniac podlewanie przez 30 minut.

Podlewanie reczne

Sterownik umoŜliwia podlewanie reczne bez zakoœcania ustawionego programu.

- Przekręcić tarczę do położenia [AUTO].



- Nacisnąć przycisk [MANUAL]. Wyświetlacz pokaŝe ABC i ALL (Wszystko). Po kilku sekundach lub po naciŝnięciu [ENTER] sterownik rozpocznie podlewanie reczne.
- Wszystkie stanowiska bedy podleway po kolei przez zaprogramowany czas trwania podlewania.

Uwaga: Jeœli czasy pracy nie zostay ustawione, sterownik nie rozpocznie podlewania recznego a na wyœwietlaczu pojawi si aktualny czas.

- Aby okreœlic specyficzny program lub stanowiska, naleŝy naciskac przyciski [◀ ▶] w celu wybrania programu A, B lub C.
- Nacisnąć [ENTER], aby uaktywnic.
- Aby wybrac okreœlone stanowisko, naciskac przyciski [◀ ▶], do chwili, aœ pojawi si numer ŝadanego stanowiska.

- Naciskać [+/-], aby wprowadzić odpowiedni czas trwania od 1 do 240 minut.
- Odczekać 5 sekund na rozpoczęcie pracy sekcji.
- W celu zatrzymania podlewania ręcznego, należy nacisnąć [CLEAR].
- Sterownik powróci do oryginalnego harmonogramu podlewania automatycznego.

Przykład: Aby ręcznie podlewać na sekcji 3 przez 5 minut, należy nacisnąć przycisk [MANUAL] a następnie naciskać przyciski [◀ ▶] do chwili aś wyświetli się stanowisko 3; za pomocą przycisków [+/-] nastawić czas trwania na pięć minut; nacisnąć [ENTER].

Uwaga: Po naciśnięciu przycisku [MANUAL], jeżeli w ciągu 5 sekund nie zostanie dokonany wybór, wszystkie stanowiska i programy rozpoczną podlewanie zgodnie z zaprogramowanymi czasami pracy (RUN TIME). Jeżeli nie zostały ustawione śadne czasy pracy (RUN TIME), nic się nie zdarzy a na wyświetlaczu pojawi się aktualny czas.

Podłączenie czujnika deszczu

- Podłączyć przewody czujnika deszczu do odpowiednich zacisków (w kolorze śółtym) z etykietą "Sensor".

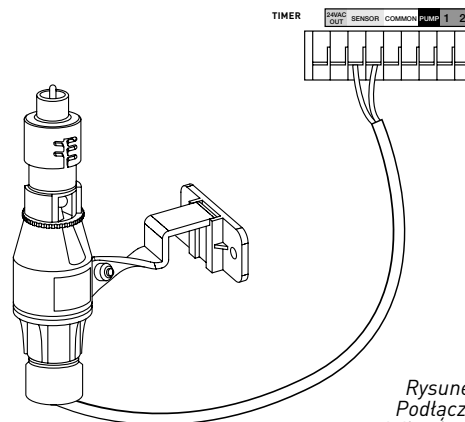
Uwaga: Szczegółowe instrukcje potąceń mośna znaleźć w instrukcji naszego czujnika deszczu.

- Ustawić wtycznik on/off czujnika w pozycji "on", aby rozpocząć działanie (zobacz rysunek 6).

Obejście czujnika deszczu

Sterownik jest wyposażony w wtycznik "on/off" obejścia czujnika deszczu. Wtycznik ten jest wykorzystywany podczas prac konserwacyjnych i napraw, aby sterownik mógł być uruchomiony nawet jeśli czujnik deszczu jest w trybie aktywnym.

Waśne: Jeśli wtycznik czujnika deszczu jest w pozycji "on" (zał.) a śaden czujnik nie jest podłączony, sterownik nie będzie działał. Aby przywrócić działanie sterownika należy ustawić wtycznik w pozycji "off" (wył.).



Rysunek 6:
Podłączenie
czujnika deszczu

Start pompy i zawór główny

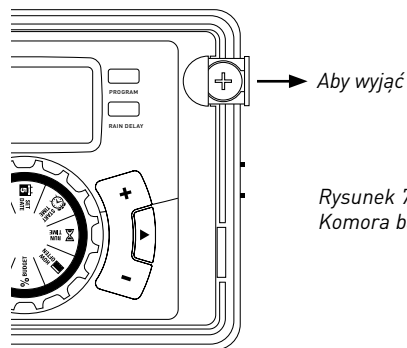
Sterownik umośliwia działanie zaworu głównego lub przekaźnika uruchamiania pompy, kiedy sekcja jest wtyczona.

Uwaga: Jeśli z tego przekaźnika czasowego uruchamiana jest pompa, należy zakupić przekaźnik uruchamiania pompy. Z przekaźnika uruchamiania pompy (lub zaworu głównego) należy podłączyć jeden przewód do zacisku "Pump" (Pompa) a drugi przewód do zacisku wspólnego "Common".

WYMIANA BATERII

Sterownik wymaga zastosowania baterii litowej CR2032.

- Bateria podtrzymuje program w przypadku utraty zasilania prądu zmiennego.
- Bateria powinna działać co najmniej jeden rok.
- Otworzyć, wysuwając podstawkę baterii w prawo.
- Wtyść jedną baterię CR2032 do komory stroną ze znakiem + skierowaną w góre.
- Wsunąć z powrotem na miejsce.



Rysunek 7:
Komora baterii

Słaba bateria lub jej brak może spowodować utratę danych czasu, daty i programów w razie awarii zasilania. Jeśli to nastąpi, należy zainstalować całkowicie naładowaną baterię i zaprogramować sterownik.

Podpowiedź: Aby uniknąć utraty programu, należy wymieniać baterię raz na rok.

Uwaga: Bateria nie stanowi zasilania dla zaworów. Sterownik ma wbudowany transformator, który musi być podłączony do źródła zasilania prądem zmiennym.

Rozdział 5: Referencje

TERMIN	DEFINICJA
CZAS ROZPOCZĘCIA	Czas, kiedy program rozpoczyna podlewanie pierwszego zaprogramowanego stanowiska.
ZAWÓR	Dostarcza wodę do określonego stanowiska lub obszaru. Otwieranie i zamykanie zaworu odbywa się z wykorzystaniem prądu elektrycznego dostarczanego przez sterownik.
ZAWÓR GŁÓWNY	Typowo zlokalizowany na głównym źródle zasilania wodą. Włącza i wyłącza wodę dla całego systemu nawadniania, kiedy nie jest używany.
RÓŻNE CZASY ROZPOCZĘCIA	Cecha sterownika, która pozwala na działanie programu kilka razy w tym samym dniu podlewania.
ZACHODZENIE PROGRAMÓW NA SIEBIE	Kiedy "Czas rozpoczęcia" zostanie ustawiony dla programu zanim zakończy się poprzedni program.
PROGRAM (A, B LUB C)	Indywidualne programy ustawiane przez użytkownika. Każdy program działa niezależnie. Jeśli jeden program nakłada się na drugi, programy są "spiętrzone". Po zakończeniu się pierwszego programu, rozpoczyna się następny program.
ZWŁOKA DESZCZOWA	Właściwość, która opóźnia uruchomienie zaplanowanego w harmonogramie programu podlewania o określony przedział czasu.
SOLENOID (CEWKA CYLINDRYCZNA)	Część elektryczna zaworu do podlewania, która otwiera i zamyka zawór.
STEROWNIK	Urządzenie, które wydaje polecenia działania dla zaworów stanowiska.
STANOWISKO/ SEKCJA	Grupa spryskiwaczy obsługiwanych przez jeden zawór, który jest kontrolowany przez regulator czasowy.
BUDŻET PODLEWANIA	Reguluje ogólny program podlewania jako procent łącznego czasu trwania podlewania.

Wyszukiwanie i usuwanie usterek

PROBLEM	MOŚLIWA PRZYCZYNA
Nie włącza się jeden lub więcej zaworów.	1. Wadliwe połączenie solenoidu.
	2. Przewód uszkodzony lub przerwany.
	3. System kontroli przepływu zakreślony, wyłącza zawór.
	4. Nieprawidłowe programowanie.
Stanowiska włączają się, kiedy nie jest to oczekiwane.	1. Ciśnienie wody jest za wysokie.
	2. Zaprogramowany jest więcej niż jeden czas rozpoczęcia.
	3. Nieprawidłowe ustawienie AM/PM.
Jedno stanowisko jest zablokowane i nie wyłącza się.	1. Wadliwy zawór.
	2. Zabrudzenia zablokowane w zaworze.
	3. Wadliwa membrana zaworu.
Nie włączają się łatwe zawory.	1. Transformator uszkodzony lub nie podłączony.
	2. Nieprawidłowe programowanie.
Regulator czasowy nie włącza się.	1. Transformator nie podłączony do gniazdka roboczego.
Zawory włączają się i wyłączają, kiedy nie są zaprogramowane.	1. Zaprogramowany jest więcej niż jeden czas rozpoczęcia z nakładającymi się na siebie harmonogramami.
	2. Nadmierne ciśnienie.

HELP

1-800-488-6156 or 1-801-299-5555

www.orbitonline.com

Before returning this sprinkler timer to the store, contact Orbit® Technical Service at: 1-800-488-6156, 1-801-299-5555 Listings

ATESTY

Sterownik jest przetestowany zgodnie z normą UL-50 i posiada atest ELT®.

Odpowiednie modele międzynarodowe są zatwierdzone przez CSA® i CE®.

Ten aparat cyfrowy klasy B jest zgodny z normą kanadyjską ICES-003.

Odtwarzanie: Typ 1Y Normal Pollution Situation (Normalna Sytuacja Zanieczyszczenia).

Kabel zasilający tego urządzenia może być wymieniany tylko przez producenta lub jego akredytowanego przedstawiciela serwisowego.

UWAGA NA TEMAT ZNAKU TOWAROWEGO

WaterMaster® jest zarejestrowanym znakiem towarowym firmy Orbit® Irrigation Products, Inc. Informacje zawarte w niniejszej instrukcji są zasadniczo przeznaczone dla użytkownika, który ustali harmonogram podlewania i wprowadzi ten harmonogram do sterownika. Produkt ten jest przeznaczony do użycia w sterowniku do aktywacji zaworów nawadniających 24 V prądu zmiennego, jak opisano w niniejszej instrukcji.

GWARANCJA I OŚWIADCZENIE

Firma Orbit Irrigation Products, Inc udziela 2 lata gwarancji na swoje produkty.

Firma Orbit® Irrigation Products, Inc. nie będzie odpowiedzialna za koszty lub szkody następcze lub nieprzewidziane spowodowane przez awarię produktu. Odpowiedzialność firmy Orbit® w ramach niniejszej gwarancji jest ograniczona wyłącznie do wymiany lub naprawy wadliwych części. W celu skorzystania z gwarancji, należy zwrócić zespół do sprzedawcy wraz z kopią pokwitowania sprzedaży.

Niniejsze urządzenie jest zgodne z Częścią 15 Zasad FCC. Wykorzystanie urządzenia musi spełniać dwa następujące warunki: (1) Urządzenie nie może powodować szkodliwych zakłóceń, i (2) Urządzenie musi być odporne na wszelkie zakłócenia, które do niego docierają, włącznie z zakłóceniami mogącymi powodować niepożądane działanie.

Ostrzeżenie: Zmiany lub modyfikacje niniejszego urządzenia, które nie zostaną wyraźnie zatwierdzone przez stronę odpowiedzialną za zgodność z odpowiednimi przepisami mogą być przyczyną utraty prawa użytkownika przez użytkownika.

UWAGA: Urządzenie zostało przebadane i stwierdzono jego zgodność z limitami dla urządzeń cyfrowych Klasy B, podanymi w części 15 Przepisów FCC (Federalna Komisja Komunikacji USA). Limity te są opracowane w celu zapewnienia właściwej ochrony przed szkodliwymi zakłóceniami przy instalacji w terenach przeznaczonych pod zabudowę mieszkaniową. Urządzenie wytwarza, wykorzystuje i może promieniować energię o częstotliwości radiowej i, jeśli nie jest zainstalowane i używane zgodnie z tą instrukcją, może powodować szkodliwe zakłócenia komunikacji radiowej. Jednakże nie ma gwarancji, że zakłócenia nie wystąpią w określonej instalacji.

Jeśli urządzenie to powoduje szkodliwe zakłócenia odbioru radia lub telewizji, co można stwierdzić przez wyłączenie i ponowne włączenie urządzenia, użytkownik powinien próbować skorygować zakłócenia za pomocą jednego lub kilku z poniższych środków zaradczych:

- Zmienić kierunek lub przemieścić antenę odbiorczą.
- Zwiększyć odległość pomiędzy urządzeniem a odbiornikiem.
- Podłączyć urządzenie do gniazdka w innym obwodzie elektrycznym niż gniazdko, do którego podłączony jest odbiornik.
- Poprosić o pomoc sprzedawcę lub doświadczonego technika RTV.

Ostrożnie: Niniejsze urządzenie nie jest przeznaczone do użycia przez małe dzieci lub osoby niedotęśne bez nadzoru. Małe dzieci powinny być nadzorowane, aby nie bawiły się urządzeniem.

