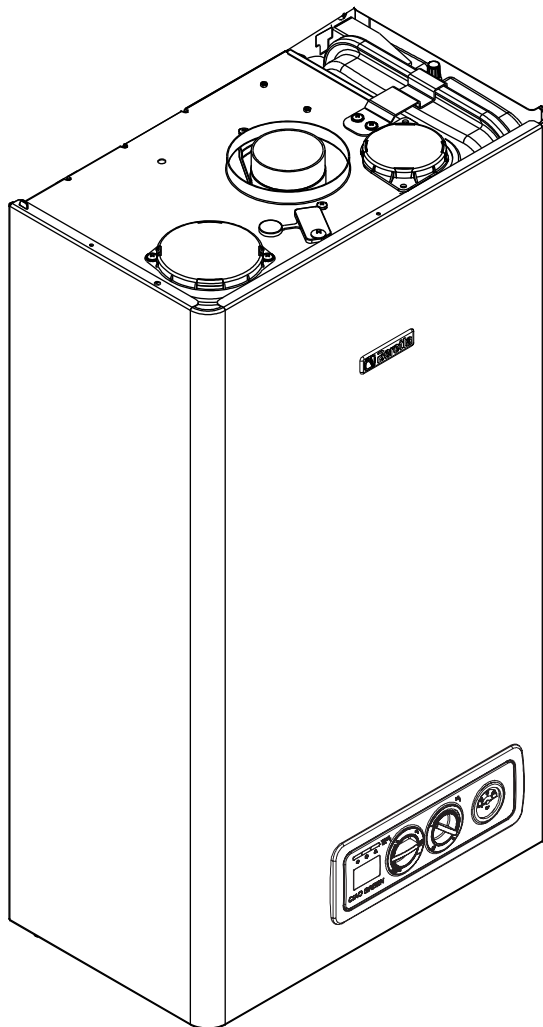
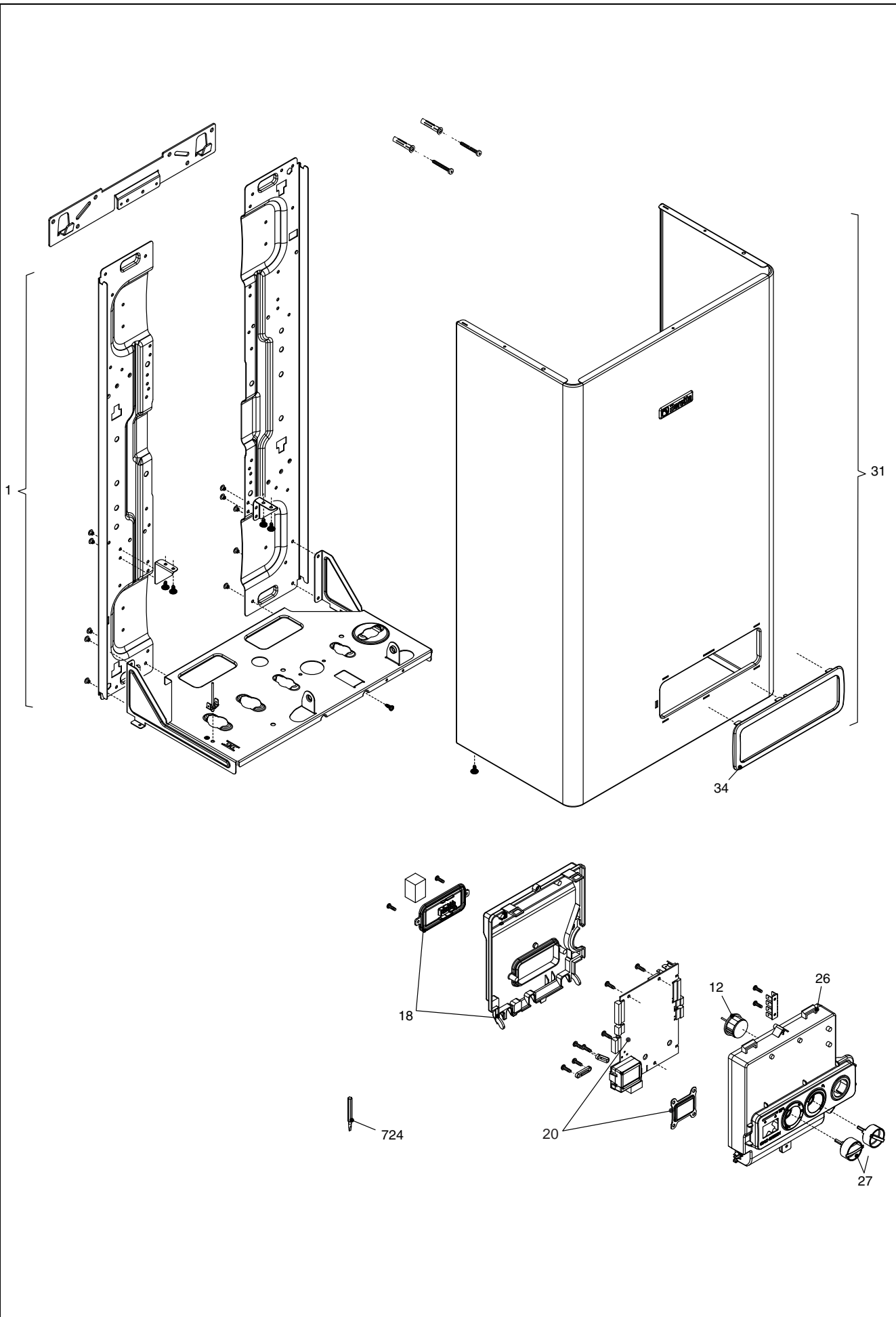


Wall hung boilers

Ciao Green 25 RSI

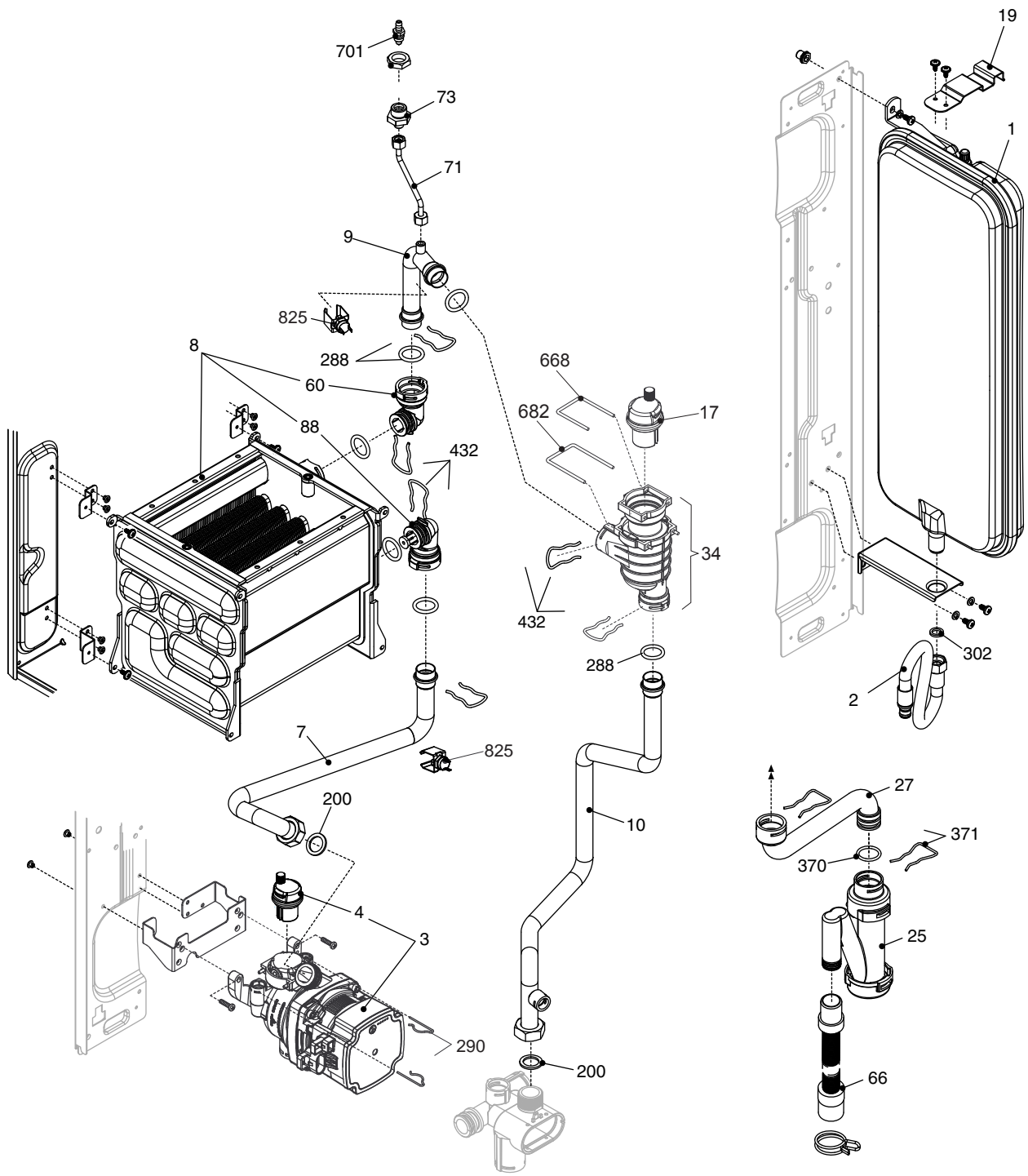


MODEL	PART NUMBER	
	MTN	GPL
Ciao Green 25 RSI	20095432 (N9D)	-



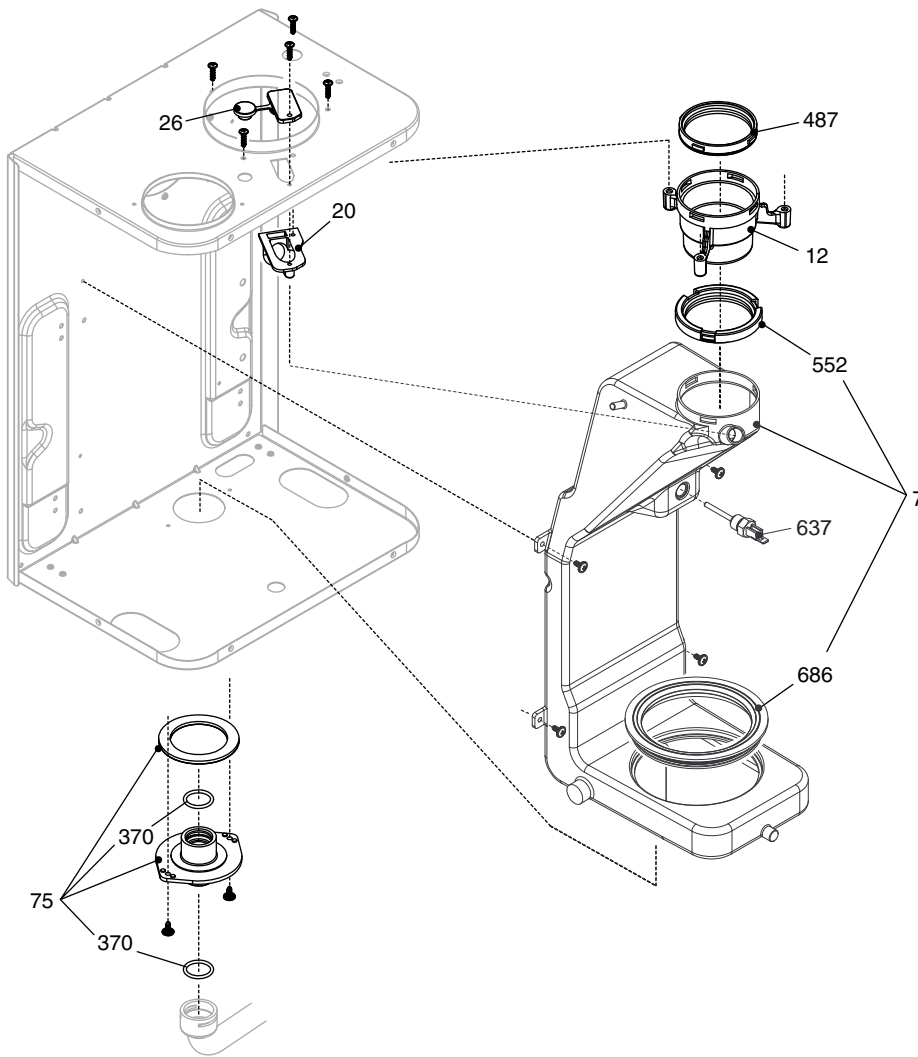
POS.	DESCRIPTION	25rsi
2	Frame assembly	20049618
12	Quick primer pressure gauge	20049617
18	Control panel cover	20026055
20	Printed circuit board	20071334
26	Instrumental panel	20099396
27	Knob	20028780
31	Case Assembly	20049621
34	Fixing flange	20049610
724	Calibration screwdriver	R2455

POS.	DESCRIPTION	25rsi
4	Non return valve	R10025056
6	By-pass casing	R10024641
7	High head by-pass valve	R1552
9	Valve with cartridge	20024204
10	Cartridge	20043594
11	Actuator	20017594
13	Clip	20017598
22	Safety valve	20043820
25	Pipe	20012543
37	Pipe	20041741
47	Cover for by-pass assembly	R10024643
48	Cock	R10024646
63	Pipe	R10025058
200	Washer	R5023
288	O ring	R6898
290	Clip	R2165
343	Pump plug	R2216
432	Clip	R10024958
436	Clip	R10025062
441	Clip	R10025063
442	O ring	R10025065
443	O ring	R10025064
444	Washer	R10025066
501	Nipple	R10026914
502	Nipple	R10026915
504	Fitting/union	R10026916
619	Pressure	20003181
824	Connection	20082414

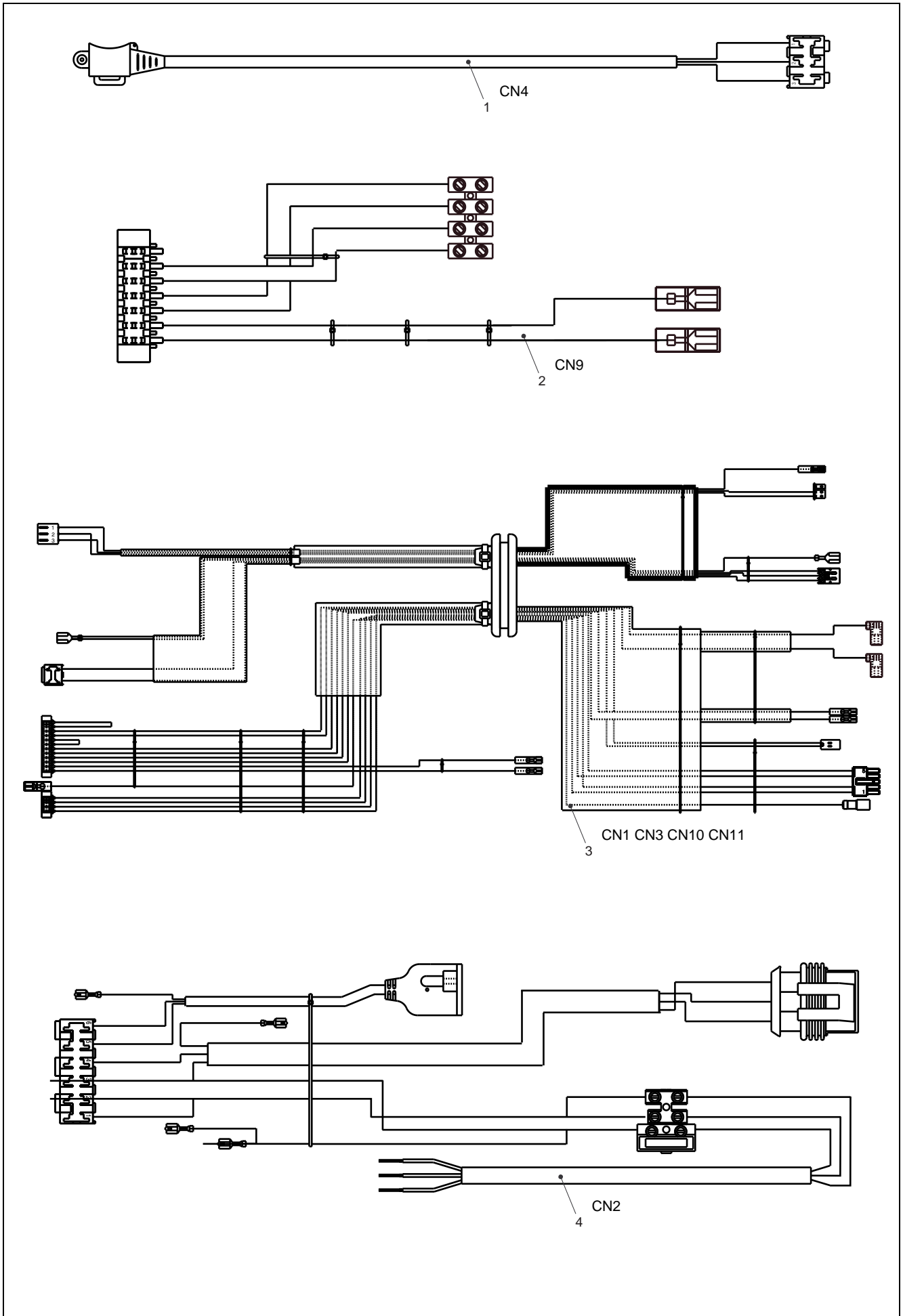


POS.	DESCRIPTION	25rsi
1	Expansion vessel	20029826
2	Pipe	R10028603
3	Pump	20099105
4	Air vent bottle	R10025485
7	Pipe	20025763
8	Condensing exchanger assembly	20039923
9	Pipe	20090680
10	Pipe	20025744
17	Air vent valve	20019768
19	expansion vessel bracket	20125261
25	Siphon	20025733
27	Condensation outlet tube kit	20025743
34	Degasser kit	20032553
60	Connection	20039953
66	Flexible pipe	R10027545
71	Pipe	20025746
73	Cock	R10028431
88	Connection	20039954
200	Washer	R5023
288	O ring	R6898
290	Clip	R2165
302	Washer	R5025
370	O ring	R10023533
371	Clip	R10023532
432	Clip	R10024958
668	Clip	20019767
682	Clip	20120828
701	Vent plug	R10023235
825	NTC Detector	20078350

POS.	DESCRIPTION	25rsi
3	Integrated fan	20081316
4	Burner	20044892
5	Spark ignition electrode	20025737
9	Clip	20093799
12	Pipe	20025745
13	Gas valve	20039202
14	Gas pipe	20005553
15	Gas valve solenoid	20040675
16	Combustion chamber cover	20005594
18	Plug	20005550
27	Hole cover	20005586
31	Hole cover	20049606
33	Electrode seal	20025740
34	Protection	20044890
40	Heat exchanger seal (25kw)	20044894
67	Burner seal (kw25)	20116624
68	Cover	20044895
77	Washer	20025753
79	Flame sensor electrode	20043523
92	Silencer	20025760
200	Washer	R5023
436	Clip	R10025062
613	Ignition transformer	20001563
625	High limit thermostat	20005585
680	Washer	20024869
700	Ng conversion kit	20082915
700	LPG conversion kit	20082917
700	G230 Conversion kit	20068964
700	G2.350 conversion kit	20115827
700	G27 conversion kit	20115833



POS.	DESCRIPTION	25rsi
7	Conveyor	20026060
12	Flue drain connection	R10028421
20	Outlet nut	20026049
26	Plug	20026058
75	Flue clector	20026056
370	O ring	R10023533
487	Washer Ø 60	R10026345
552	Washer Ø 60	R10028426
637	Flue sensor	20007050
686	Washer	20026059



POS.	DESCRIPTION	25rsi
1	Hydraulic control cable	20017596
2	Low tension cable	20041739
3	Combustion cable	20025736
4	Power wiring harness	20096531

Rev.	data	Descrizione
1.0	29/07/2015	E00120150357 : tolto inserto manopola – E00120150523 : circolatore E00120150290 : tappo degasatore due fori
2.0	20/01/2016	Aggiunte trasformazioni G2.350 - G27 – Aggiornato disegno caldaia copertina
3.0	14/04/2016	Corretti disegni scatola aria e convogliatore – Aggiunta guarnizione bruciatore
4.0	16/12/2016	aggiunta molletta fissaggio tappo degasatore – aggiunta staffa fissaggio vaso espansione Inserita nuova tavola: gestione disegni cablaggi elettrici

