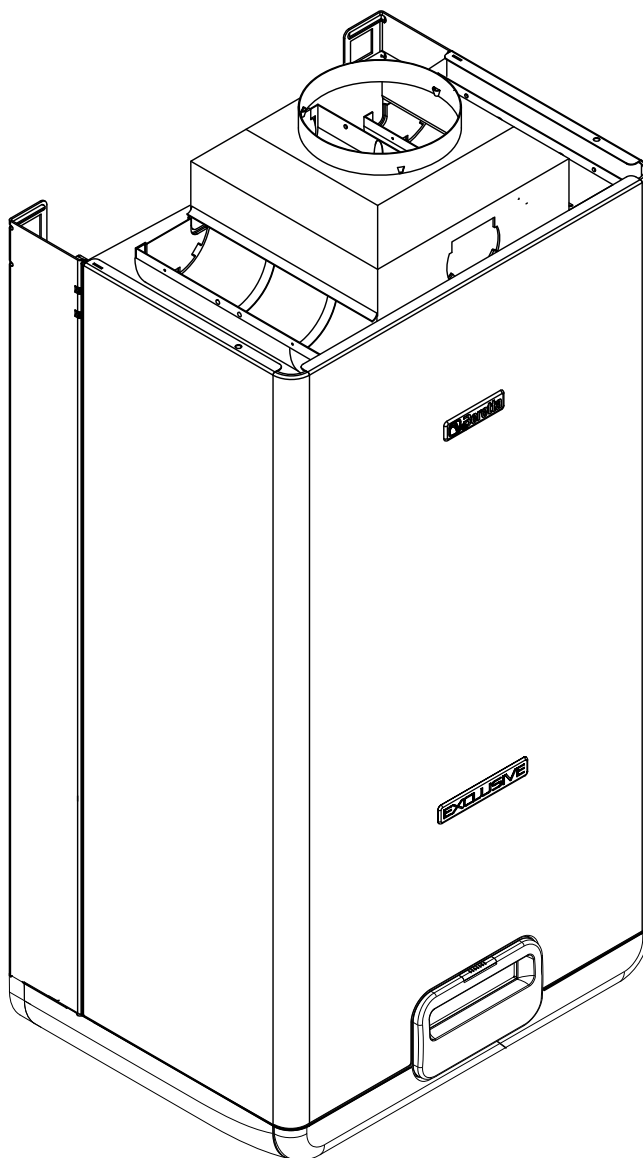
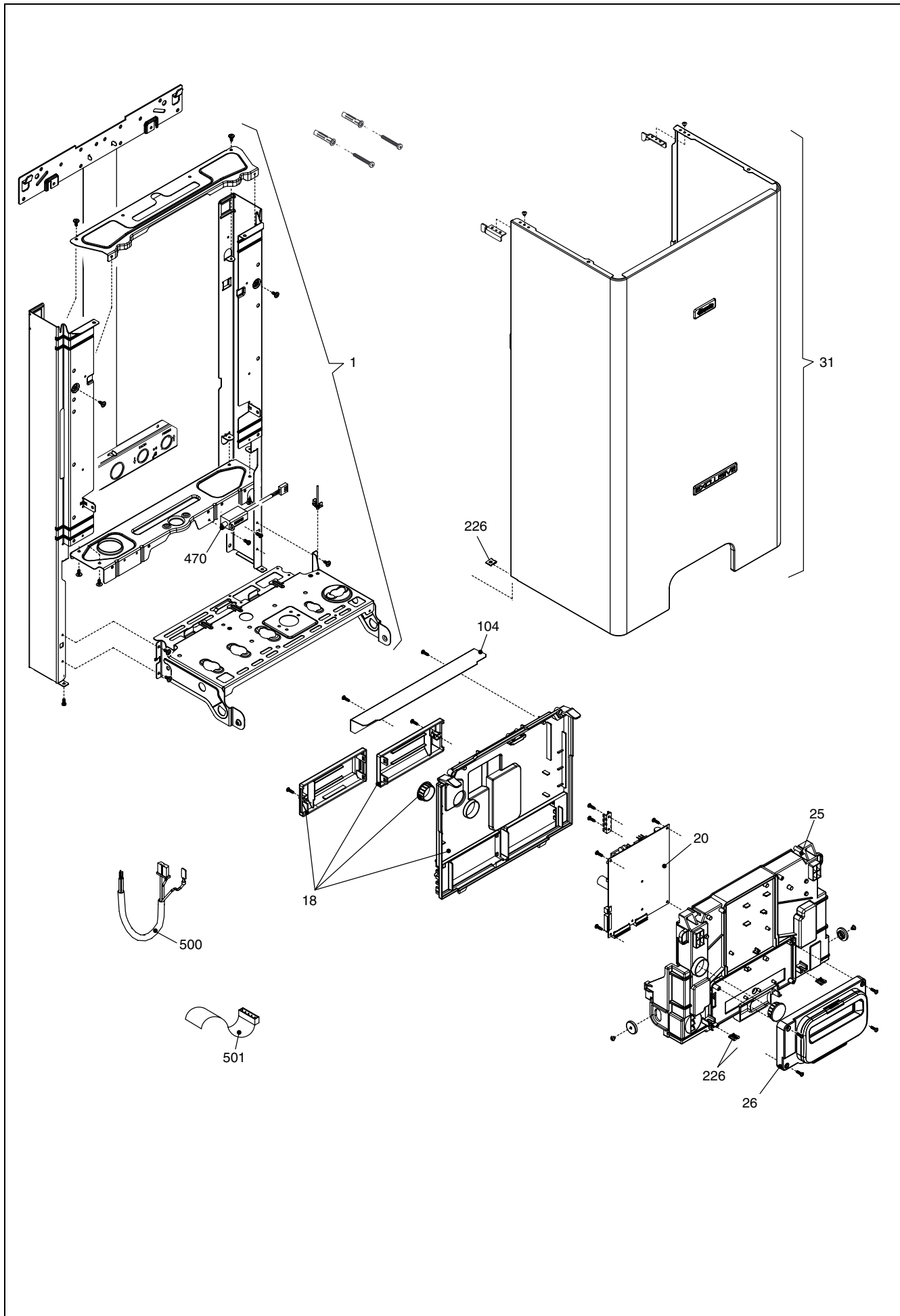


Wall hung boilers

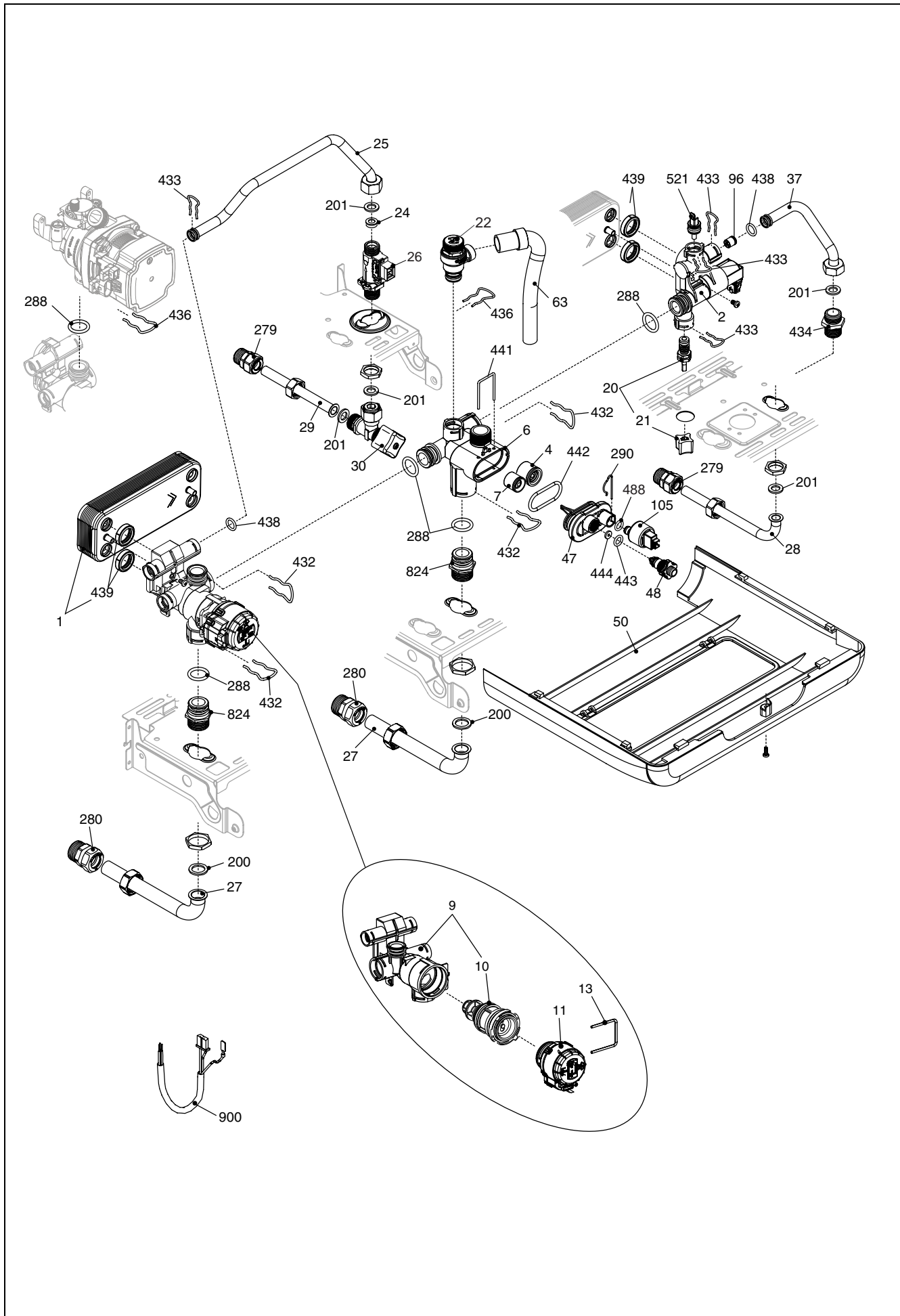
Exclusive 28 CAI



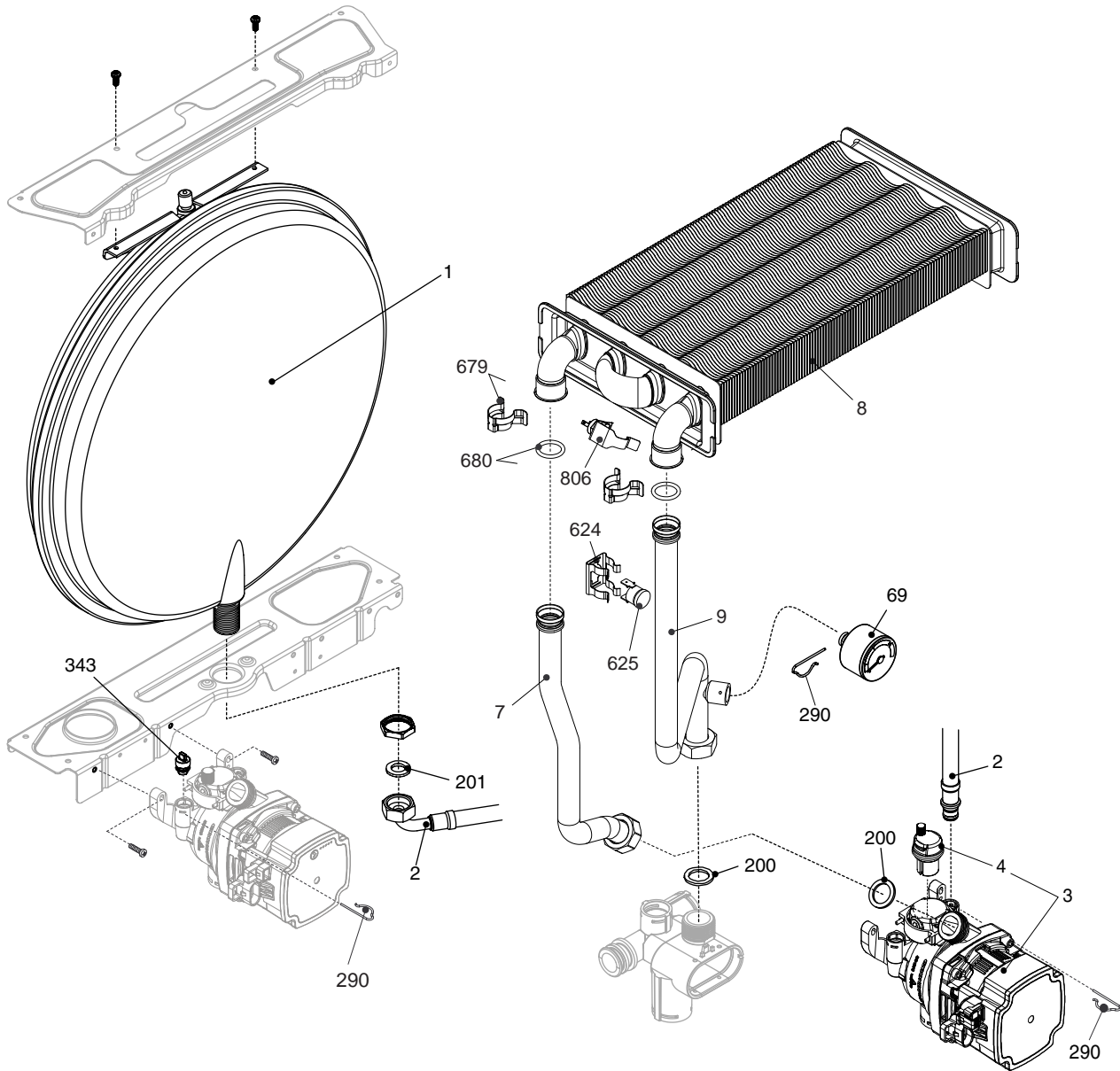
MODEL	PART NUMBER	
	MTN	GPL
Exclusive 28 Cai	20095669 (N2F)	—



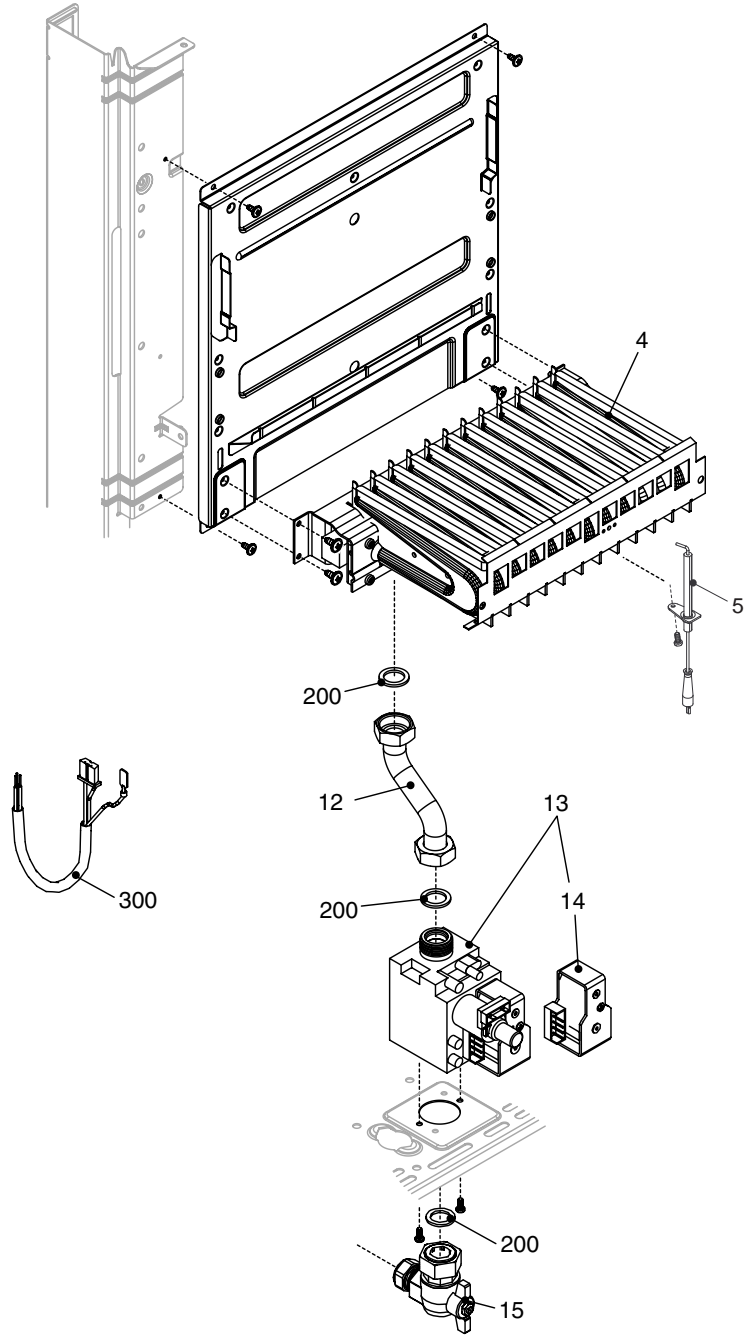
POS.	DESCRIPTION	28cai
1	Frame assembly	R01005361
18	Cover	R10025843
20	Printed circuit board AB05B	R10029773
25	Cover	R10025842
26	Control panel	R10027674
31	Case	R10026113
226	Clip	R5128
470	Ignition transformer TR6	R10026031
500	Current supply wiring harness	R10025869
500	Low tension cable	R10025871
500	Low voltage Wiring harness	R10029959
501	Electric connection band	R10025873



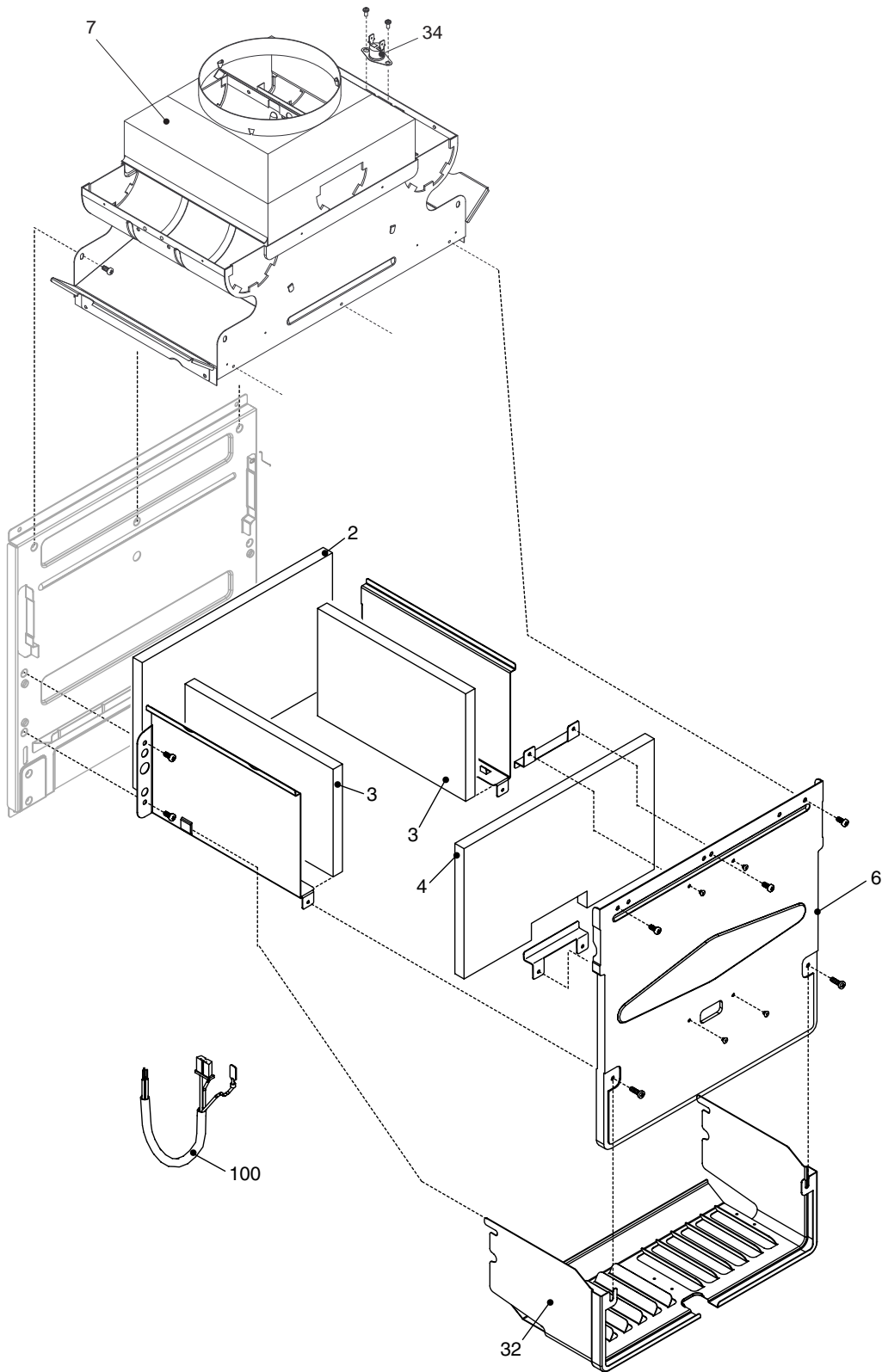
POS.	DESCRIPTION	28cai
1	Exchanger	R8037
2	Fitting/union	R10026857
4	Non return valve	R10025056
6	By-pass casing	R10024641
7	By-pass valve	R1552
9	3-way heating manif.+cartridge	20021496
10	Cartridge	20043594
11	Actuator	20017594
13	Clip	20017598
20	Filling cock	20035649
21	Knob	20035648
22	Safety valve	20043820
24	Flow governor	R10025080
25	Pipe	20011423
26	Dhw actuator	20069786
27	Pipe	R10024961
28	Pipe	R10024962
29	Pipe	R10024963
30	Water supply stop cock	R1888
37	Pipe	R10025840
47	Cover for by-pass assembly	R10024643
48	Cock	R10024646
50	Cover	R10027685
63	Pipe	R10025058
96	Non return valve	R10021625
105	Pressure transductor	R10028142
200	Washer	R5023
201	Washer	R5026
279	Connection	R10025089
280	Connection	R10025090
288	Ring	R6898
290	Clip	R2165
432	Clip	R10024958
433	Clip	R10024986
434	Nipple	R10024985
436	Clip	R10025062
438	O ring	R10024988
439	Washer	R10025067
441	Clip	R10025063
442	O ring	R10025065
443	O ring	R10025064
444	Washer	R10025066
488	O ring	R10026494
521	NTC sensor	R10027351
824	Connection	20082414
900	Hydraulic control cable	20102806



POS.	DESCRIPTION	28cai
1	Expansion vessel	R2204
2	Pipe	R10025188
3	Pump	20099105
4	Air vent bottle	R10025485
7	Pipe	20087083
8	Heat exchanger	20083229
9	Pipe	20097421
69	Pressure gauge	R10027135
200	Washer	R5023
201	Washer	R5026
290	Clip	R2165
343	Pump plug	R2216
624	Clip	R5472
625	High limit thermostat	20005585
679	Clip	20024086
680	Washer	20024869
806	NTC sensor	20067813



POS.	DESCRIPTION	28cai
4	N.G. burner	R10026300
5	Spark / ignition electrode	R10025985
12	Gas pipe	R10026218
13	Gas valve	20007784
14	Gas valve solenoid	20040675
15	3/4" gas cock	R2266
200	Washer	R5023
300	Gas valve cable	R10025872



POS.	DESCRIPTION	28cai
2	Protection	R5316
3	Combustion chamber insulation panel	R2272
4	Protection	R5315
6	Combustion chamber cover	R10024013
7	Flue draught diverter	20091534
32	Combustion chamber bottom	R10024608
34	Fumes thermostat	20091280
100	Combustion cable	20095326

Rev.	data	Descrizione
1.0	29/07/2015	E00120150508 : circolatore
2.0	25/01/2017	E00120170014 : traversa inferiore dima



Beretta reserve the right to change the specifications without prior notice.
Consumers' statutory rights are not affected.