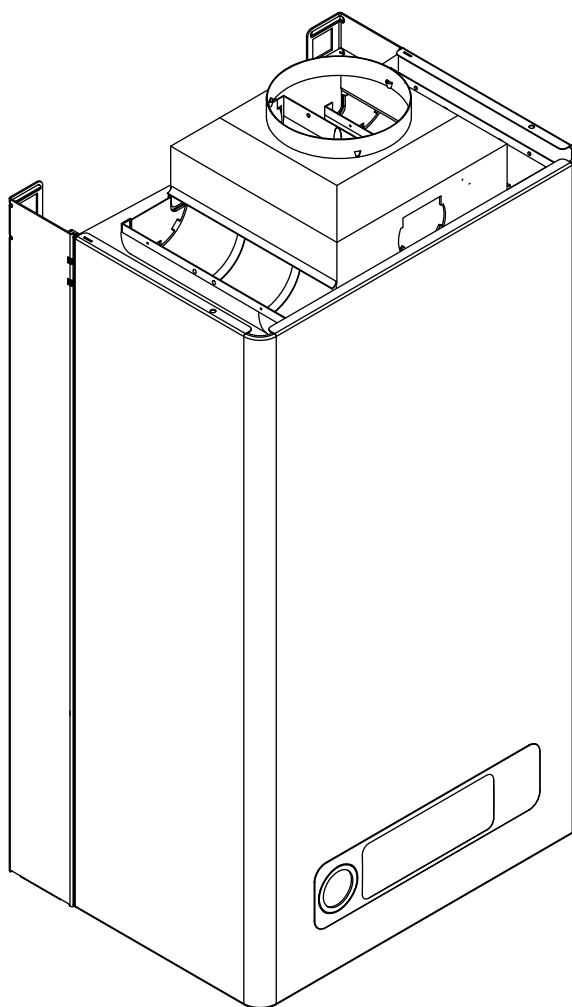
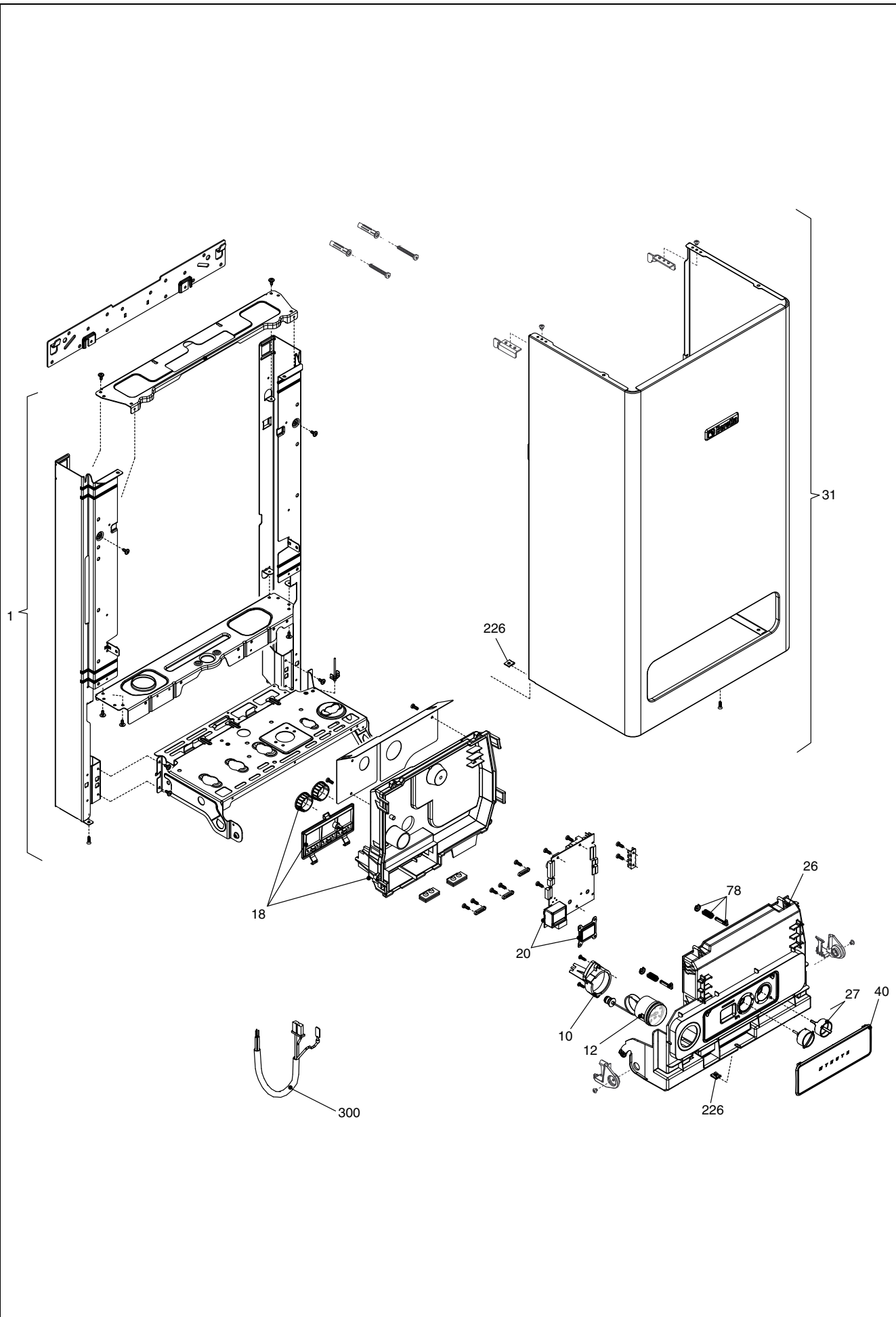


Wall hung boilers

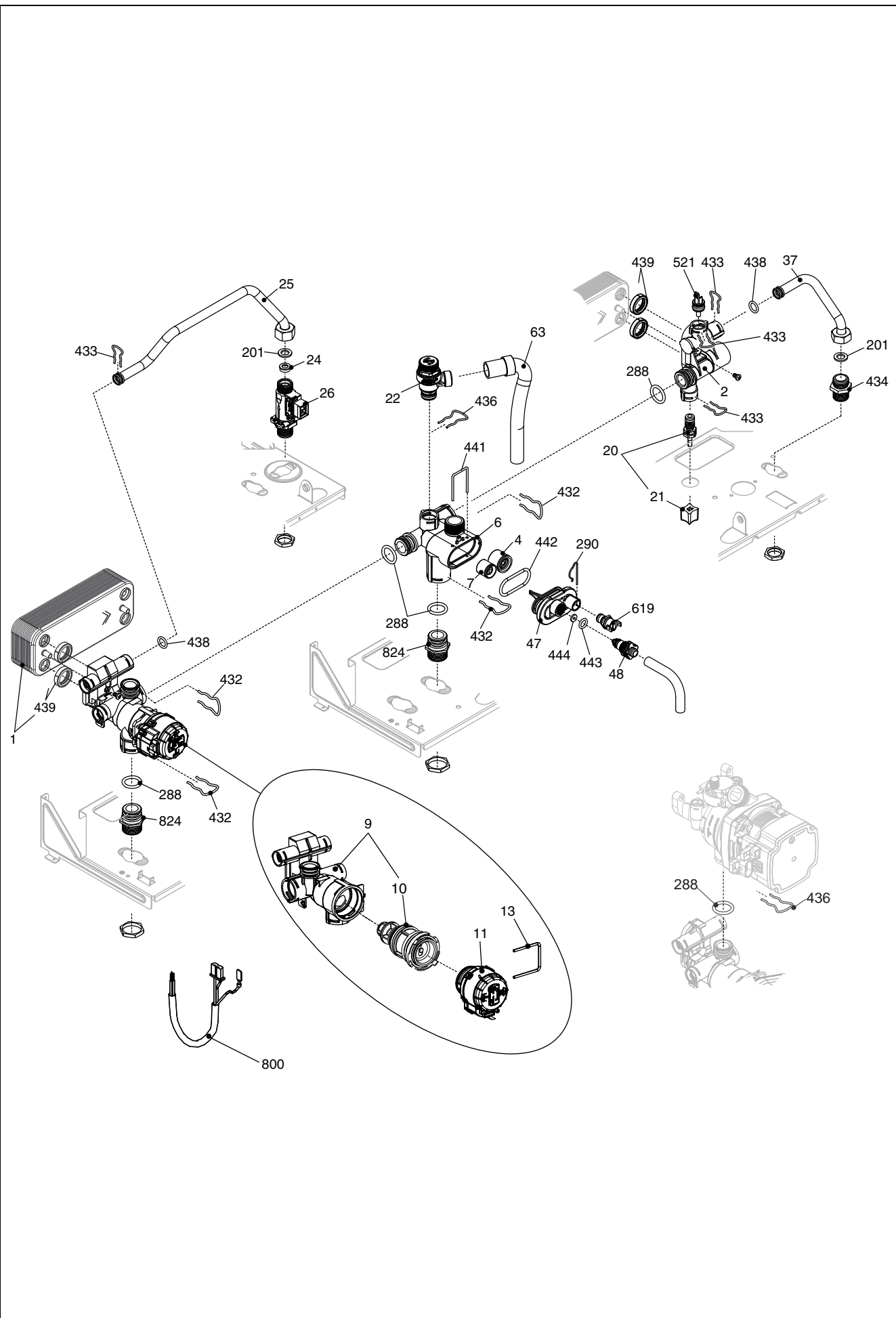
Mynute S 28 CAI E



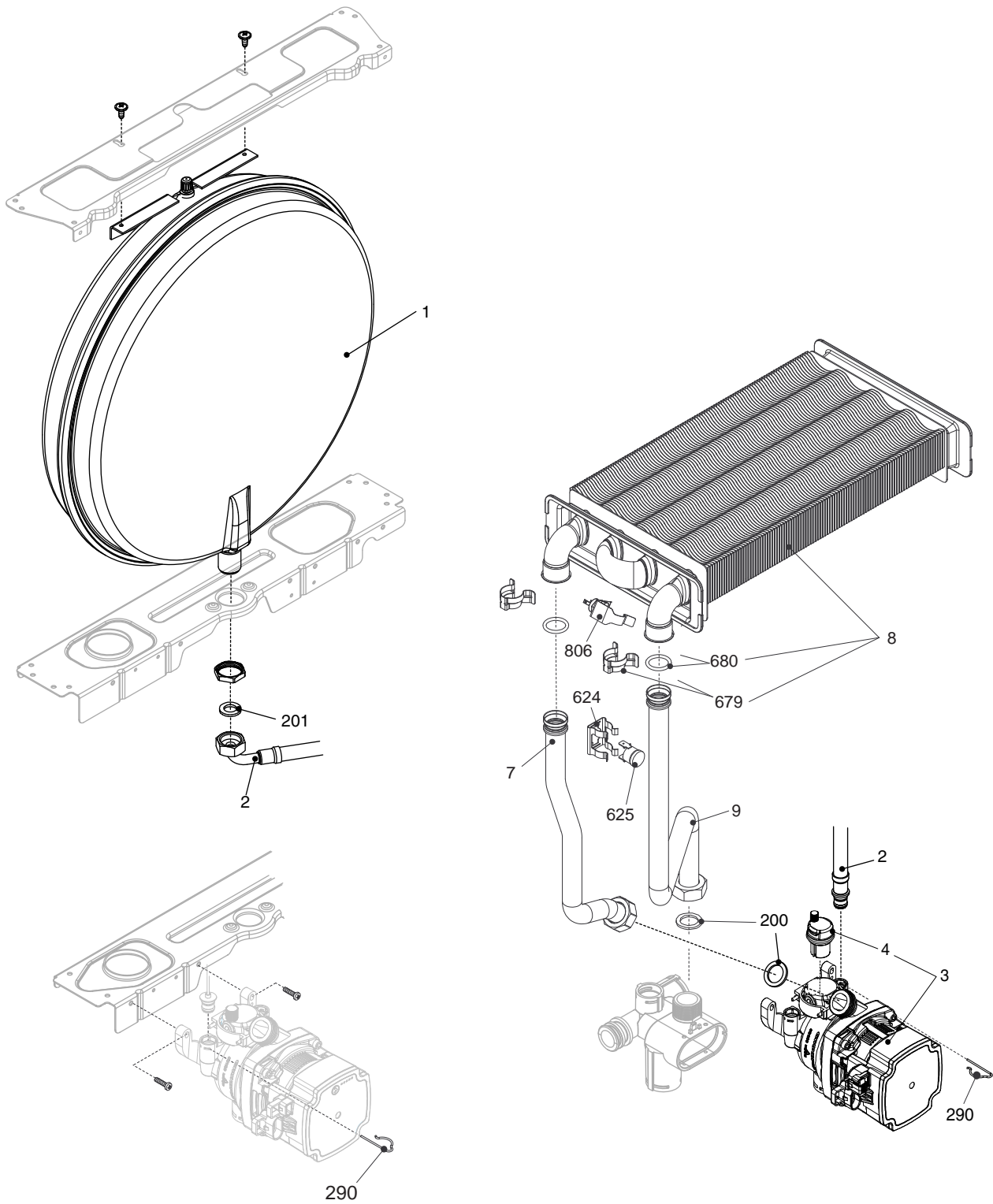
MODEL	PART NUMBER	
	MTN	GPL
Mynute S 28 CAI E	20095661 (N4E)	-



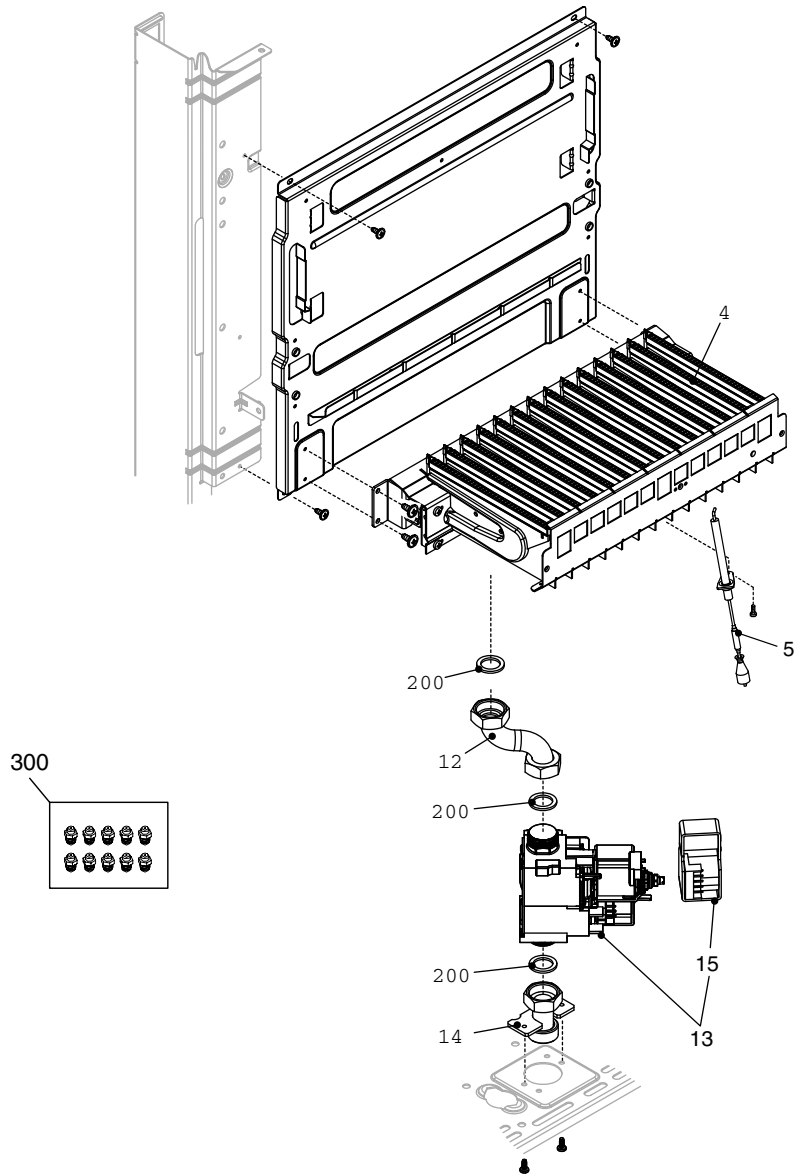
POS.	DESCRIPTION	28cai
1	Frame assembly	20050601
10	Water gauge carrier	20108296
12	Quick primer pressure gauge	20028783
18	Cover assembly	20050374
20	Printed circuit board kit	20049611
26	Instrumental panel	20097247
27	Knob	20028780
31	Case Assembly	20050604
40	Door panel	20050376
78	Control panel hinge	R01005442
226	Clip	R5128
300	Power wiring harness	20102766
300	Low tension cable	20050373



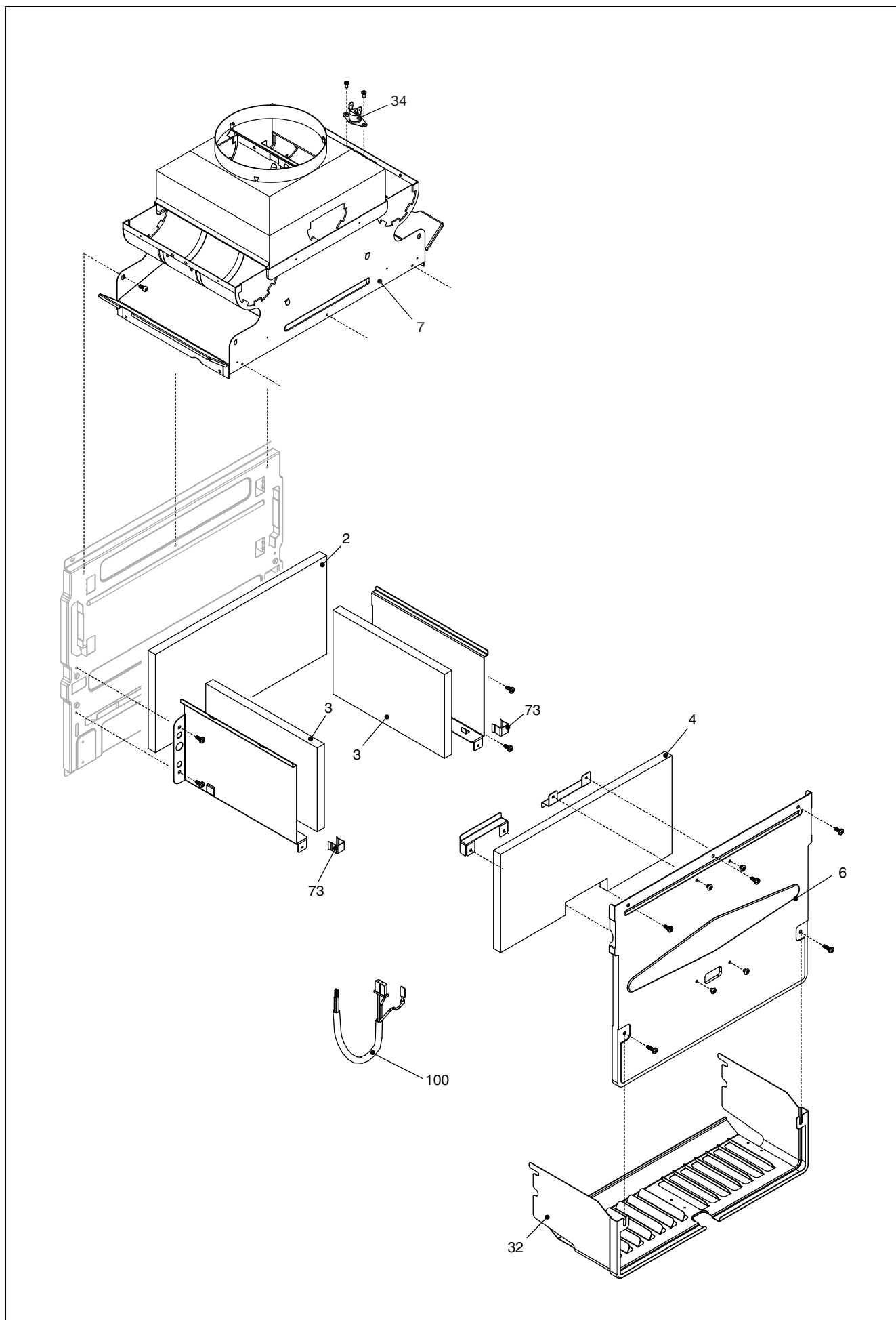
POS.	DESCRIPTION	28cai
1	Exchanger	R8037
2	Fitting/union	R10026151
4	Non return valve	R10025056
6	By-pass casing	R10024641
7	By-pass valve	R1552
9	3-way heating manif.+cartridge	20021496
10	Cartridge	20043594
11	Actuator	20017594
13	Clip	20017598
20	Filling cock	20035649
21	Knob	20035648
22	Safety valve	20043820
24	Flow governor	R10025080
25	Pipe	20011423
26	Dhw actuator	20069786
37	Pipe	R10025840
47	Cover for by-pass assembly	R10024643
48	Cock	R10024646
63	Pipe	R10025058
201	Washer	R5026
288	Ring	R6898
290	Clip	R2165
432	Clip	R10024958
433	Clip	R10024986
434	Nipple	R10024985
436	Clip	R10025062
438	O ring	R10024988
439	Washer	R10025067
441	Clip	R10025063
442	O ring	R10025065
443	O ring	R10025064
444	Washer	R10025066
521	NTC sensor	R10027351
619	Pressure	20003181
824	Connection	20082414
900	Hydraulic control cable	20028661



POS.	DESCRIPTION	28cai
1	Expansion vessel	20028781
2	Pipe	R10025188
3	Pump	20099105
4	Air vent bottle	R10025485
7	Pipe	20087083
8	Heat exchanger	20083229
9	Pipe	20087084
200	Washer	R5023
201	Washer	R5026
290	Clip	R2165
624	Clip	R5472
625	High limit thermostat	20005585
679	Clip	20024086
680	Washer	20024869
806	NTC sensor	20067813



POS.	DESCRIPTION	28cai
4	N.G. burner	R10026300
5	Spark / ignition electrode	20049613
12	Gas pipe	20052519
13	Gas valve	20094369
14	Gas pipe	R10026703
15	Gas valve solenoid	20040675
200	Washer	R5023
300	NG conversion kit	20001066
300	LpG conversion kit	20019507
300	G27 conversion kit	20098473
300	G2.350 conversion kit	20020202



POS.	DESCRIPTION	28cai
2	Back insulatin panel	20014375
3	Insulation panel	20000692
4	Front insulation panel	20014376
6	Combustion chamber cover	R10024013
7	Flue draught diverter	20091534
32	Combustion chamber bottom	R10024608
34	Fumes thermostat	20091280
73	Clip	20013581
100	Combustion cable	20087082

Rev.	data	Descrizione
1.0	29/07/2015	Aggiornato codice portaidrometro – E00120150508 : circolatore



Beretta reserve the right to change the specifications without prior notice.
Consumers' statutory rights are not affected.