

0514

M90.24CM/BX

M90.24CM/BS

M90.24DM/BX

M90.28CM/BX

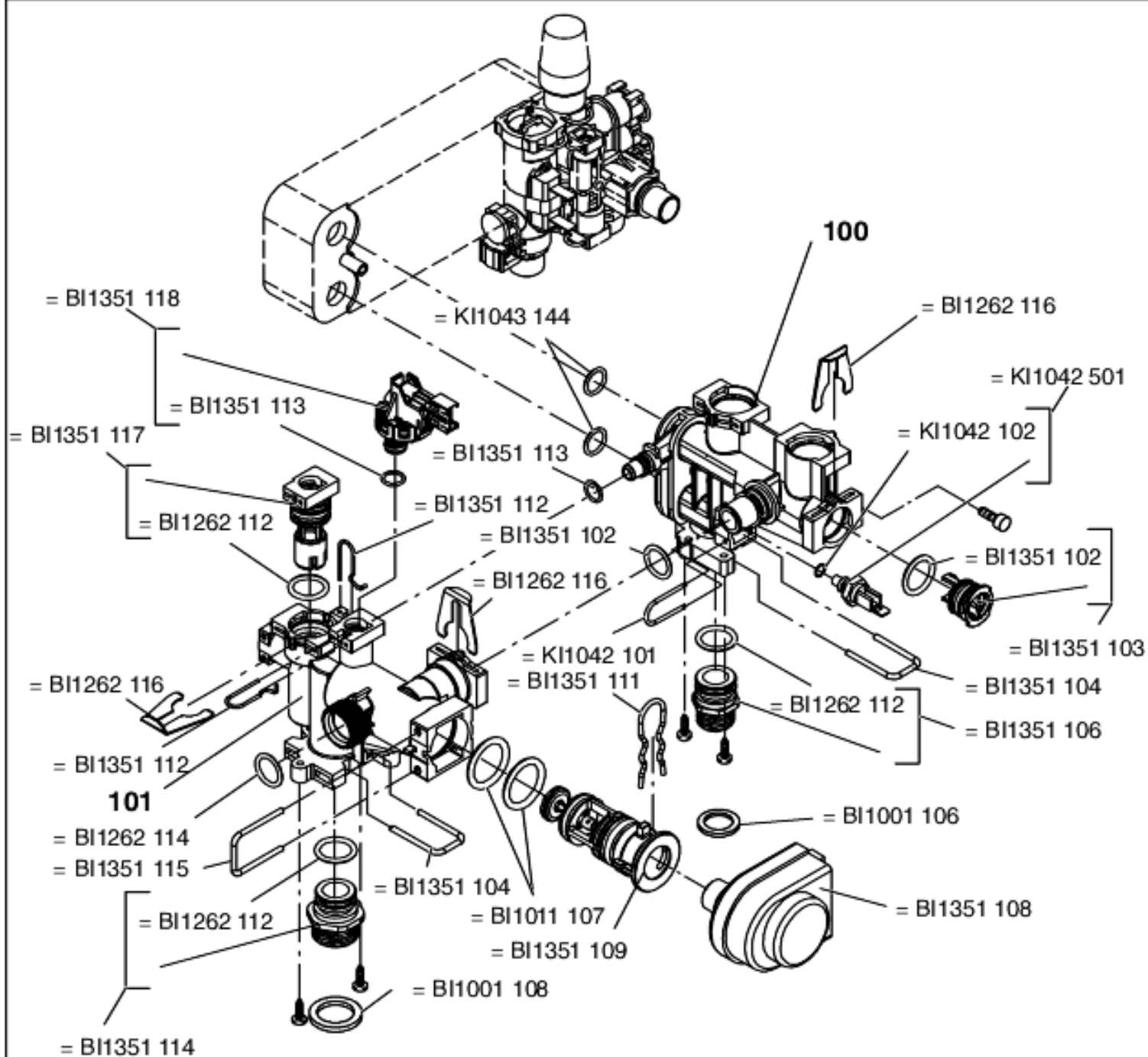
M90.28CM/BS

M90.28DM/BX

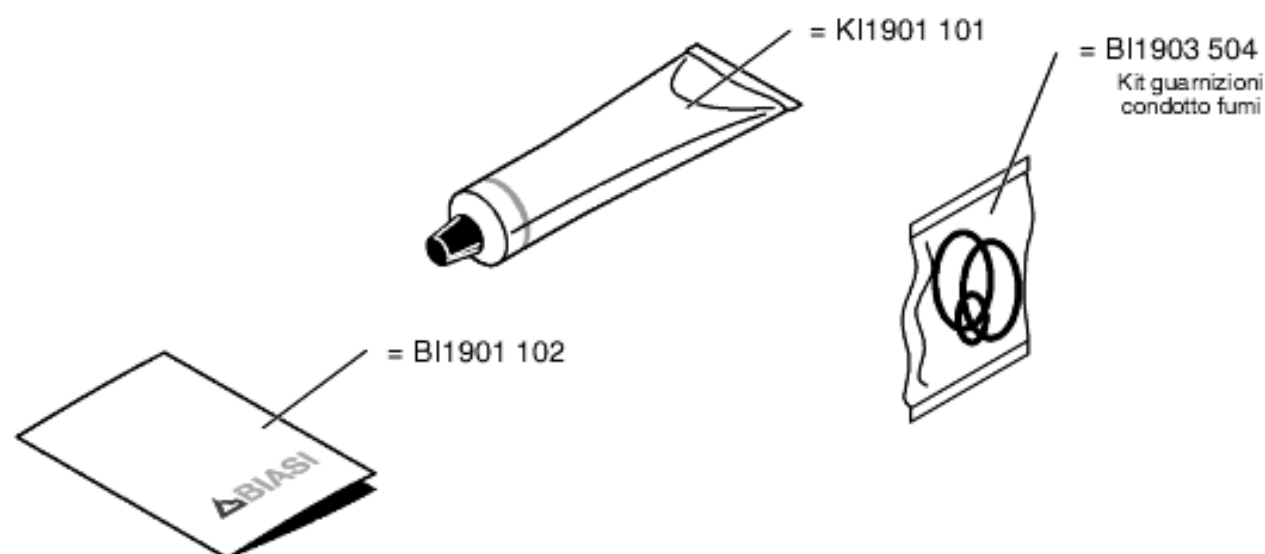
M90.32CM/BX

M90.32CM/BS

BIASI



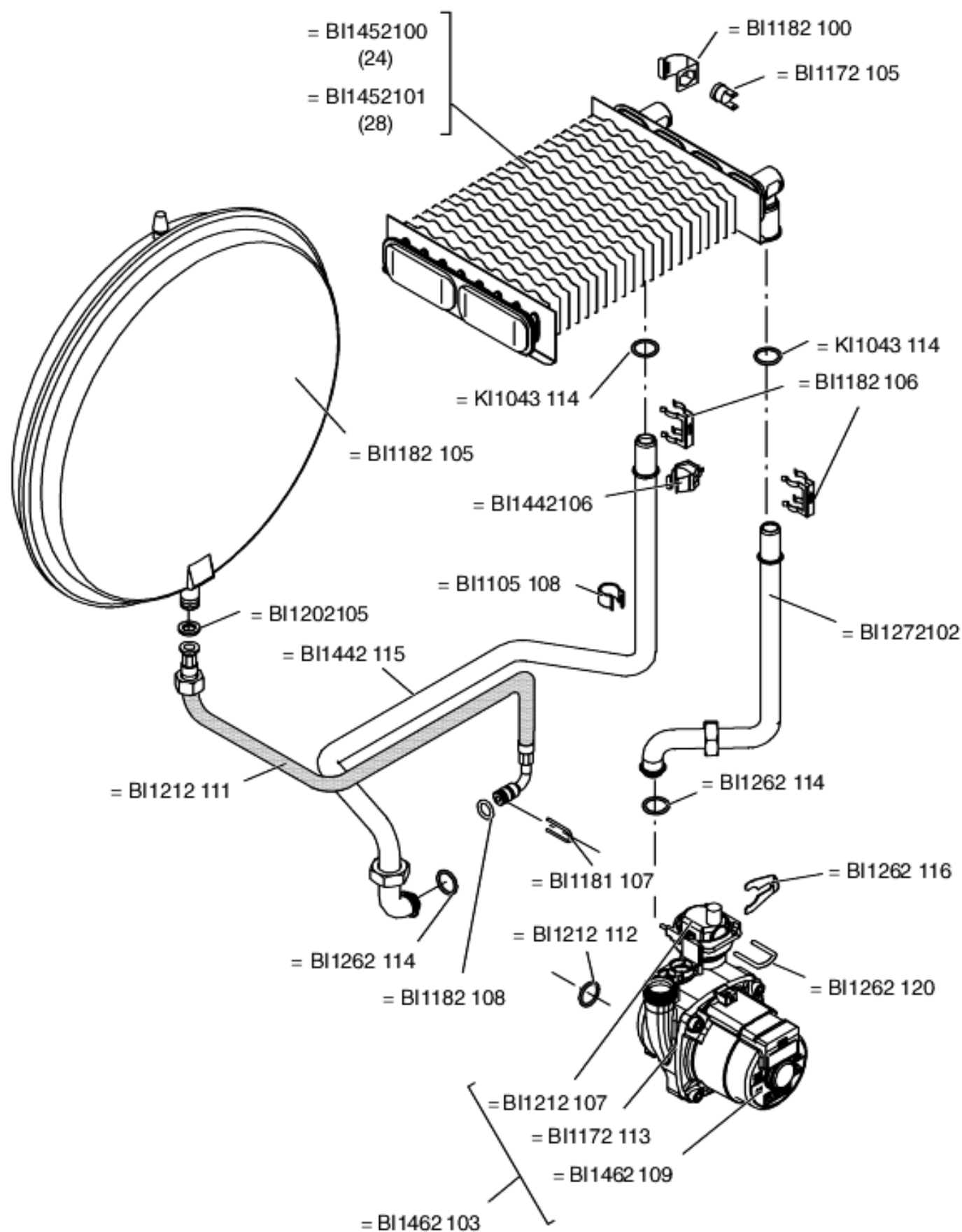
M90.24CM/BX	M90.24CM/BS			M90.24DM/BX	
M90.28CM/BX	M90.28CM/BS			M90.28DM/BX	
M90.32CM/BX	M90.32CM/BS				



800 Set guarnizioni Or			
Tavola	Pos.	N.	T. Dimensione
BI1001	115	10	12,42 x 1,78
KI1043	144	10	18,64 x 3,53
BI1001	503	10	
KI1043	114	10	17,04x3,53
KI1001	105	10	17,13x2,62
BI1475	119	10	7x2
BI1212	112	10	17,04x4,00

BI1901 802 Set guarnizioni			
Tavola	Pos.	N.	T. Dimensione
BI1001	107	10	P 1/4"
BI1001	109	10	P 3/8"
BI1202	105	10	P 3/8"
BI1001	106	10	P 1/2"
BI1001	108	10	P 3/4"
BI1001	105	10	P 1"

M90.24CM/BX	M90.24CM/BS	M90.24CV/BX		M90.24DM/BX
M90.28CM/BX	M90.28CM/BS	M90.28CV/BX		M90.28DM/BX
M90.32CM/BX	M90.32CM/BS	M90.32CV/BX		

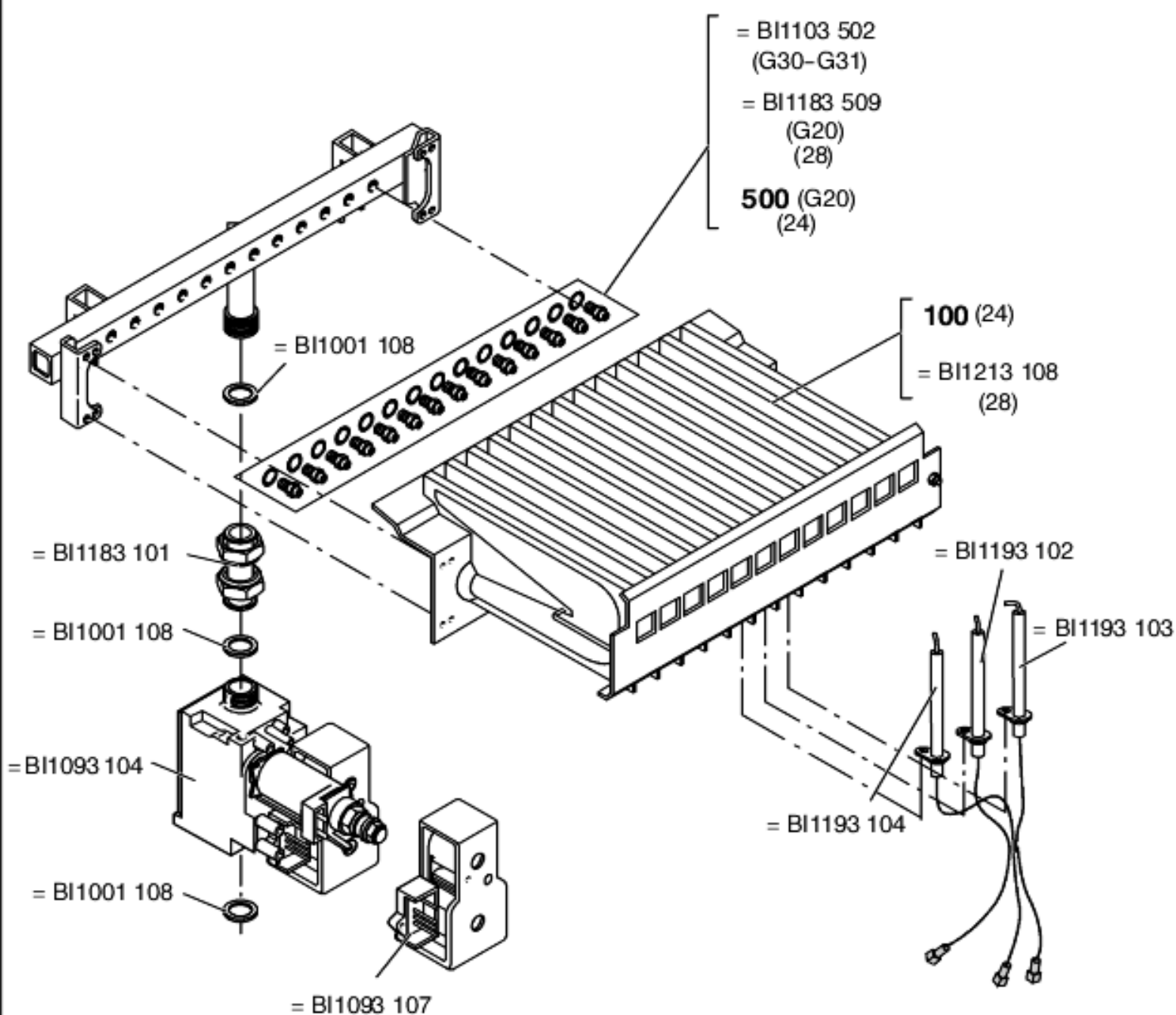


0310

M90.24DM/BX

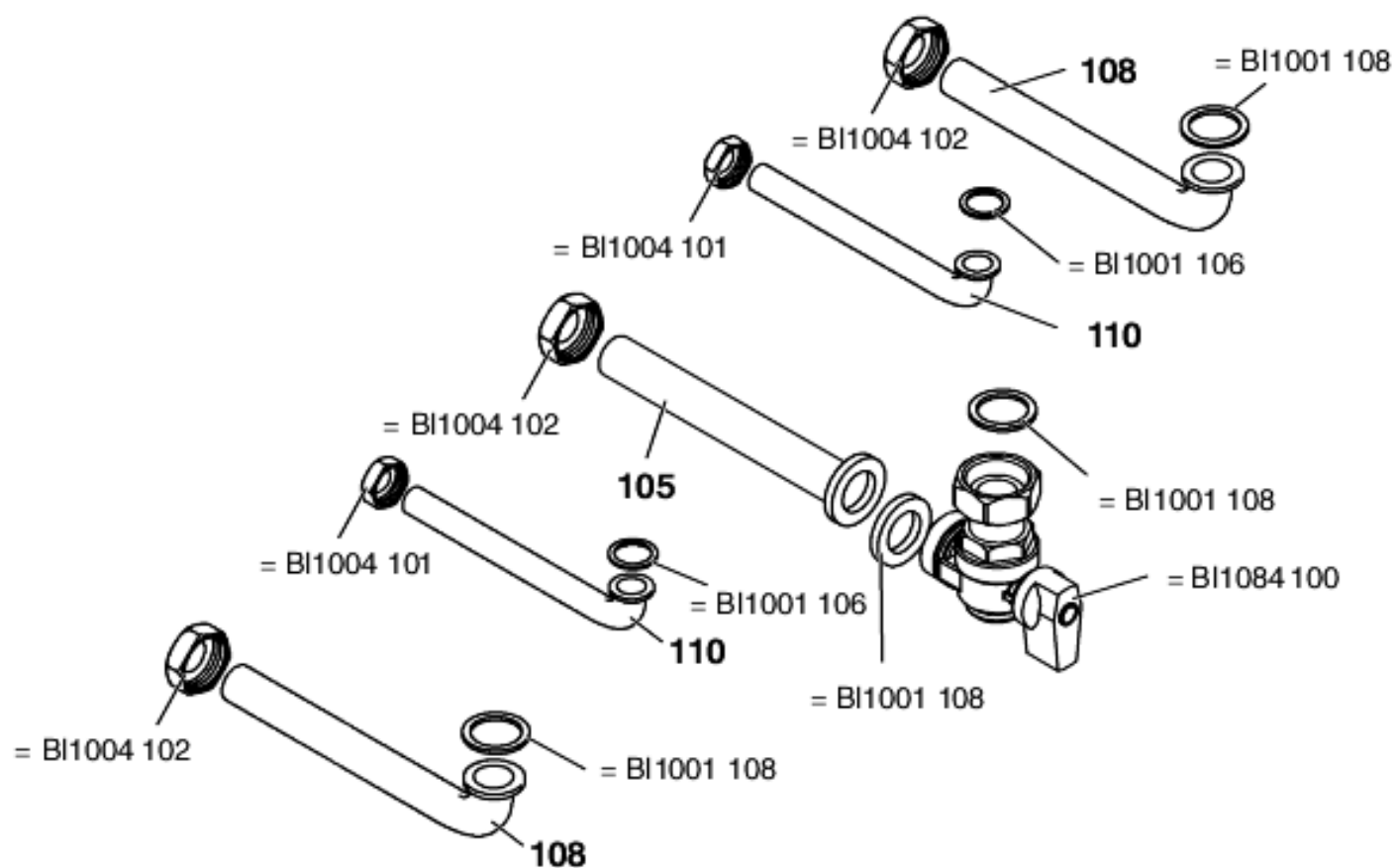
M90.28DM/BX





M90.24DM/BX

M90.28DM/BX



0514

M90.24CM/BX

M90.24CM/BS

M90.24DM/BX

M90.28CM/BX

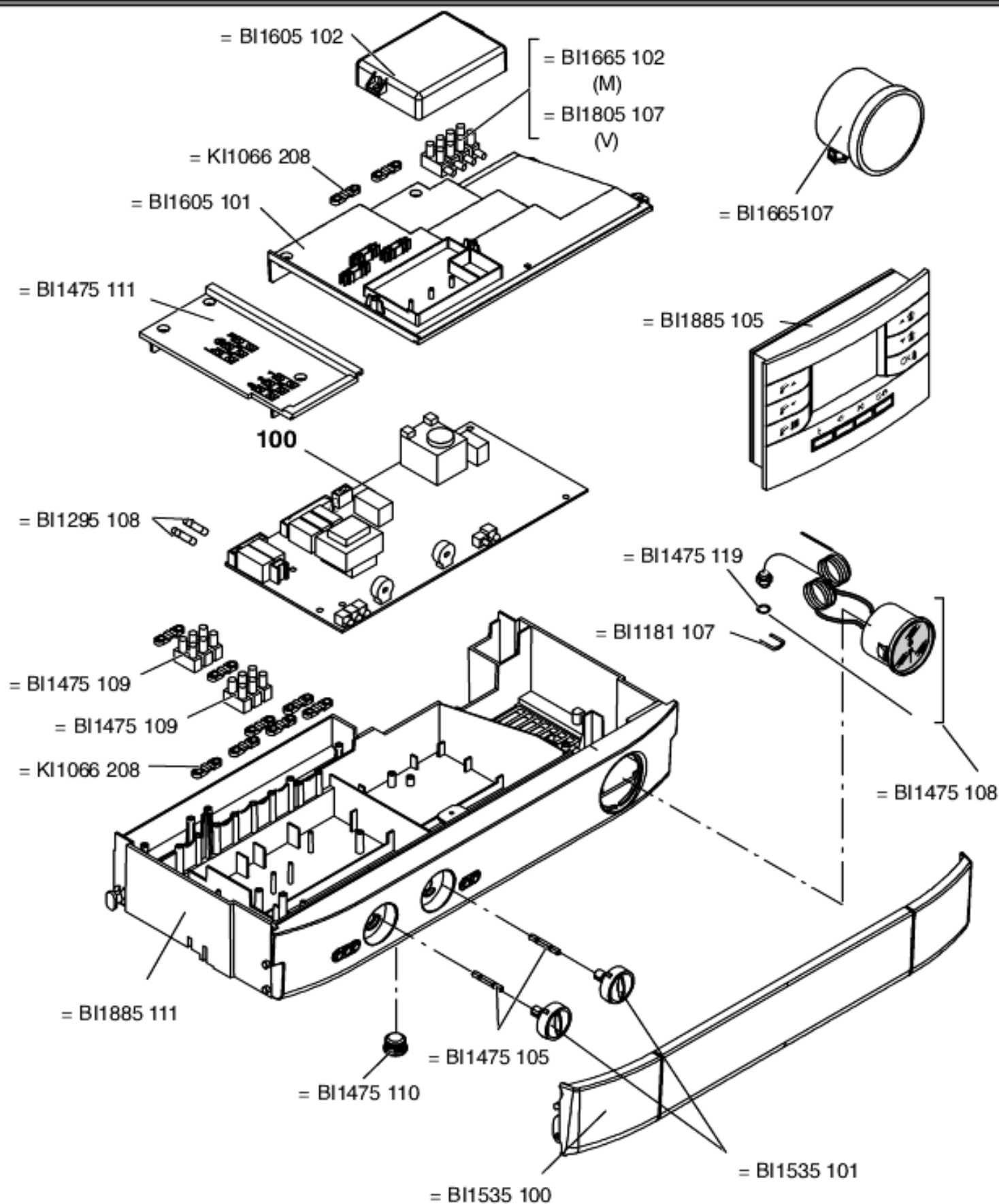
M90.28CM/BS

M90.28DM/BX

M90.32CM/BX

M90.32CM/BS

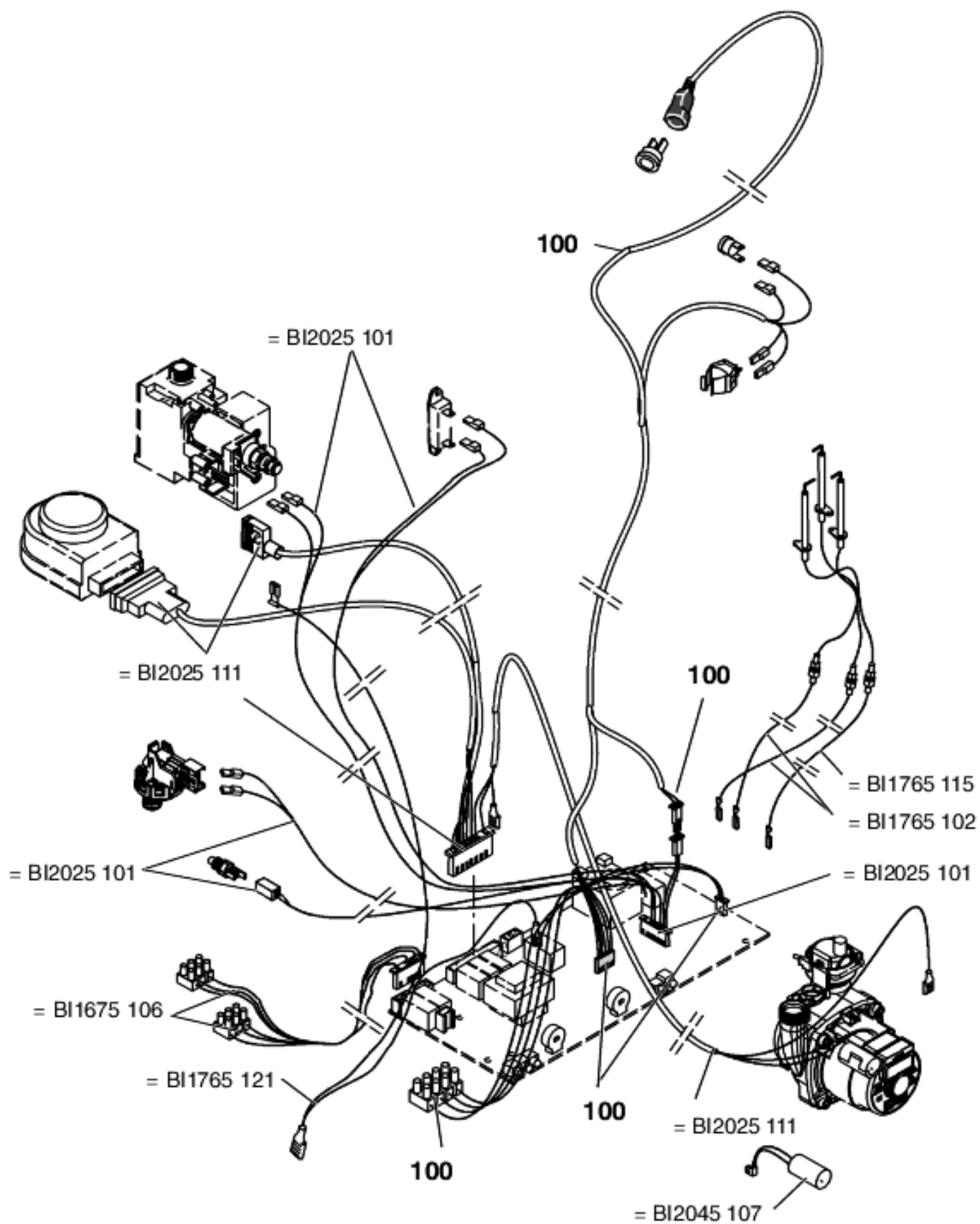
 **BIASI**



0514

M90.24CM/BX	M90.24CM/BS	M90.24CV/BX		M90.24DM/BX
M90.28CM/BX	M90.28CM/BS	M90.28CV/BX		M90.28DM/BX
M90.32CM/BX	M90.32CM/BS	M90.32CV/BX		



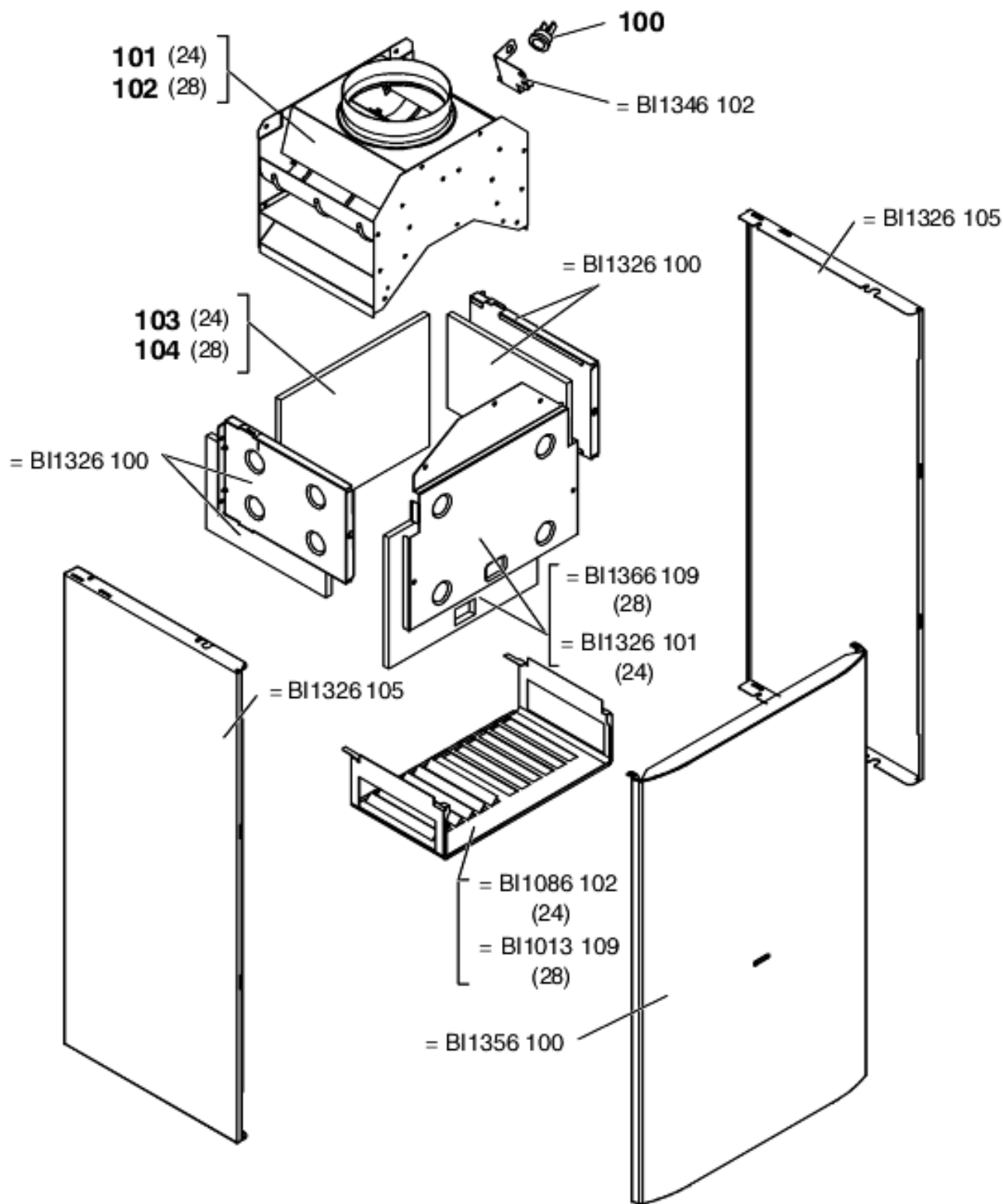


0310

M90.24DM/BX

M90.28DM/BX





0310

M90.24DM/BX

M90.28DM/BX

 **BIASI**