



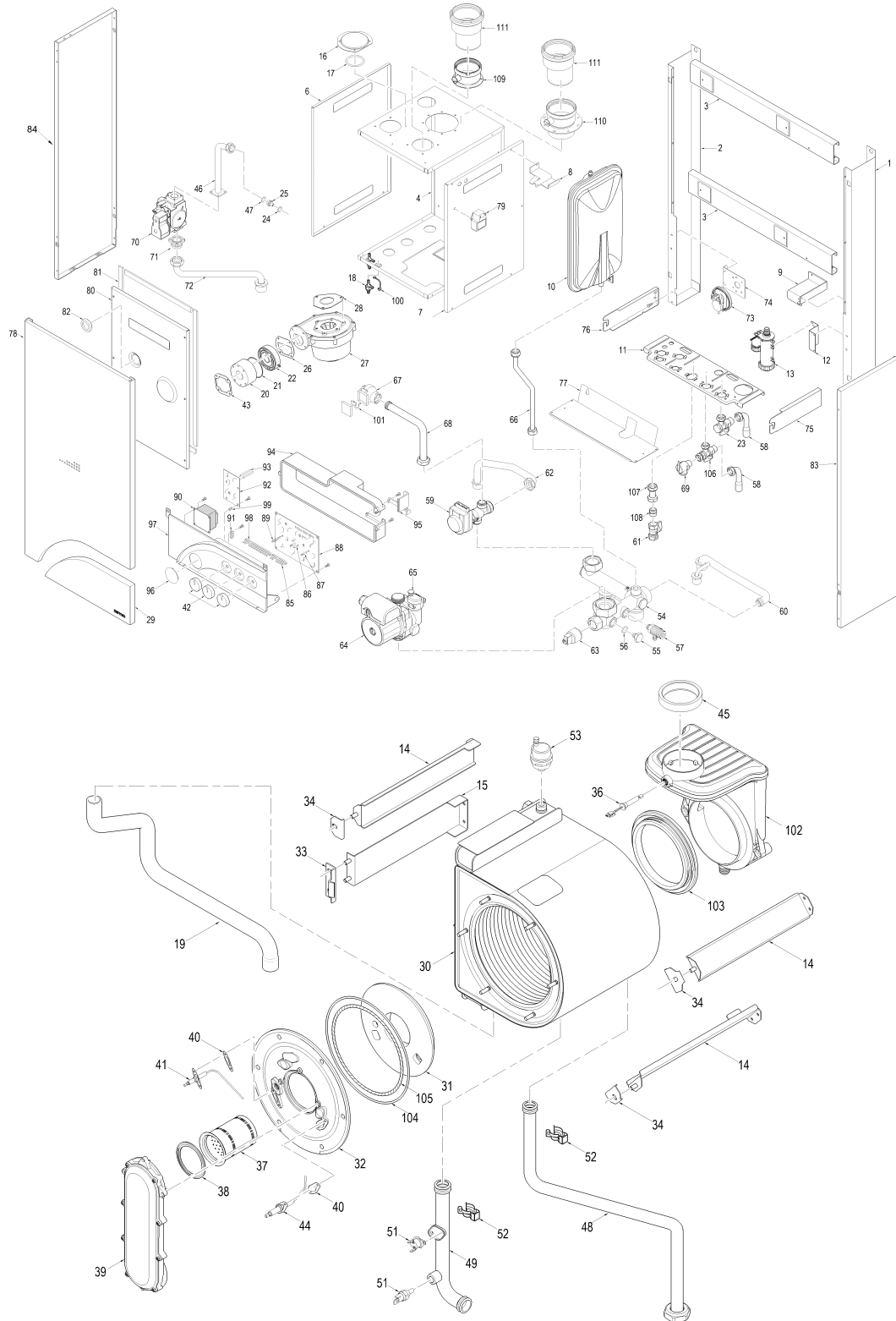
Fonderie Sime S.p.A. - Via Garbo, 27 - 37045 Legnago (VR) - www.sime.it
 Tribunale Verona 13531 - R.E.A. VR 171357 - C.C.P. 19423375 - N° Mecc. VR 014435
 Capitale Sociale Euro 5.521.200 int. versato - Codice Fiscale/Partita IVA n. IT 01275930236

Comfort Ambiente - Via Garbo, 27 - 37045 Legnago (VR)

Tel +39 0442 631111 - Fax Servizio Commerciale: Italia +39 0442 631291 - Estero +39 0442 631293

Fax Servizio Tecnico +39 0442 631292 - Fax Ufficio Acquisti +39 0442 631292 - Fax Amministrazione +39 0442 631336

8093589 CALD.MET PLANET DEWY30BFT CND



Posiz.	Codice	Descrizione
001	6138531	Right hand side frame part
002	6138631	Left hand side frame part
003	6256715	Sealed chamber rear support
004	6266080	Sealed chamber rear panel
005	6010847	Main exchanger fixing bracket

006	6266160	Sealed chamber left hand side
007	6266161	Combustion chamber R.H. side pa
008	6267110	D.H.W. expans. vessel locking b
009	6267111	Expansion vassel support
010	5183712	Rectang. expansion vessel 8 l.
011	6138810	Frame assembly lower side
012	6267113	Water trap support
013	6277207	Water trap
014	6010837	Main exchanger fixing bracket
015	6010846	Main exchanger fixing bracket
016	6029100	Blind inlet flange
017	6226405	O-ring 66,04x5,33
018	6280500	3-ways junct. with press. test
019	6034159	Condensate drainage rubber pipe
020	6274304	Downstream side mixer part
021	6226427	O-ring 156
022	6274322	Upstream side mixer part
023	6177544	Gas cock 3/4"
024	6226428	O-ring 115
025	6274108	Burner nozzle ø 6,90 natural ga
025A	6274111	Burner nozzle ø 4,60 LPG
026	6174804	Gasket for fan flange
027	6261406	Fan
028	6028646	Air diaphragm
029	6273304	Flap door
030	5188318	Complete main exchanger
031	6269007	Main exchanger door insulation
032	6278852	Main exchanger door
033	6010814	Main exchanger fixing bracket
034	6010838	Main exchanger fixing bracket
036	5191903	Smoke stat kit
037	6278351	Burner
038	6174823	Gasket for burner flange
039	6278802	Air-gas hose
040	6174809	Gasket for ignition electrode
041	6221634	Ignition electrode
042	6230922	Knob Ø 40
043	6174816	Gasket for fan flange
044	6221623	Ionisation electrode
045	6248851	Smoke chamber outlet gasket
046	6226959	Pipe connecting gas valve-mixer
047	2030227	Gasket Ø 12x18x2
048	6277935	Pipe connecting pump-exchanger
049	6277725	Main exchanger outlet pipe
050	6231351	Plunged sensor
051	6146701	100°C safety stat
052	6226601	Spring for heat exchanger conne
053	6013102	Automatic air vent 1/4"
054	6265803	C.H. flow/return manifold
055	6147401	Plug 1/4"
056	6226411	O-ring 2015
057	6017210	Manual air vent 1/4"
058	6142454	Bend 3/4" Ø 18
059	6102811	Motorized divertor valve
060	6264910	D.H.W. storage tank return pipe
061	6177540	Gas cock 3/4"
062	6265010	D.H.W. storage tank flow pipe
063	6273603	Water press.transd. HUBA CONTR
064	6124819	Circulating pump
065	6013100	Automatic air vent 3/8"
066	6227684	Pipe connecting expansion vesse
067	6149309	Flow water switch
068	6277727	Pipe conn. flow switch-C.H. flo
069	6040220	Pressure relief valve Watts30 P
070	6243832	Gas valve
071	6163102	Gas valve flange c/w brass nut
072	6226885	Gas inlet pipe
073	6225710	Air pressure switch 35-45 Pa
074	6229101	Smoke pressure switch bracket
075	6250010	Control panel R.H. side supp. b
076	6250110	Control panel L.H. side supp. b
077	6219582	Closing panel
078	6273517	Casing front panel
079	6098316	Ignition transformer
080	6228867	Sealed chamber front panel
081	5192204	Gasket for sealed chamber
082	6001210	Peephole

083	6271250	Casing right hand side panel
084	6271150	Casing left hand side panel
085	6273201	Guidelight - 6 ways out
086	6201501	Trimmer spindle Ø 5
087	6201502	Trimmer spindle Ø 6
088	6230622	Main P.C.B.
089	6201503	Selector spindle
090	6240707	Transformer 120/24V
091	2211610	Earth faston
092	6260501	Fan driver PCB
093	6201504	Trimmer spindle Ø 5 L=34
094	6273001	Control panel protecting cover
095	6273101	Room stat cover
096	6247328	Cap for time programmer
097	6272902	Control panel
098	6273200	Guidelight - 12 ways out
099	2213230	Spacer h=6.4
100	6280550	Cap for 3-ways junction
101	6131401	Microswitch for flowmeter
102	6278701	Smoke chamber
103	6248856	Smoke chamber/heat exchanger ga
104	6278965	O-ring ø 223x231x4
105	6278966	Glass fibre sealing cord Ø 6
106	6177542	Gas cock 3/4"
107	6254410	Pipe conn. gas valve to cock
108	6120525	Nipple 3/4"x3/4" OT
109	6083060	Air intake adaptor
110	6083061	Flue inlet flange Ø 80
111	8089929	Reduction M/F 80/90 PP
700	6316258	5 pole cable connector
701	6293560	2 pole cable connector
702	5188449	Complete control panel
703	6278613	8 pole cable connector
705	6316248	Cable connector
706	6316247	Cable connector
707	6316224	4 pole cable connector
708	6316246	Cable connector
709	6316249	Cable connector
710	6316250	Cable connector
711	6245376	Diverting valve connector
713	6316251	Cable connector
714	6281534	Gaskets kit