

# HOOVER

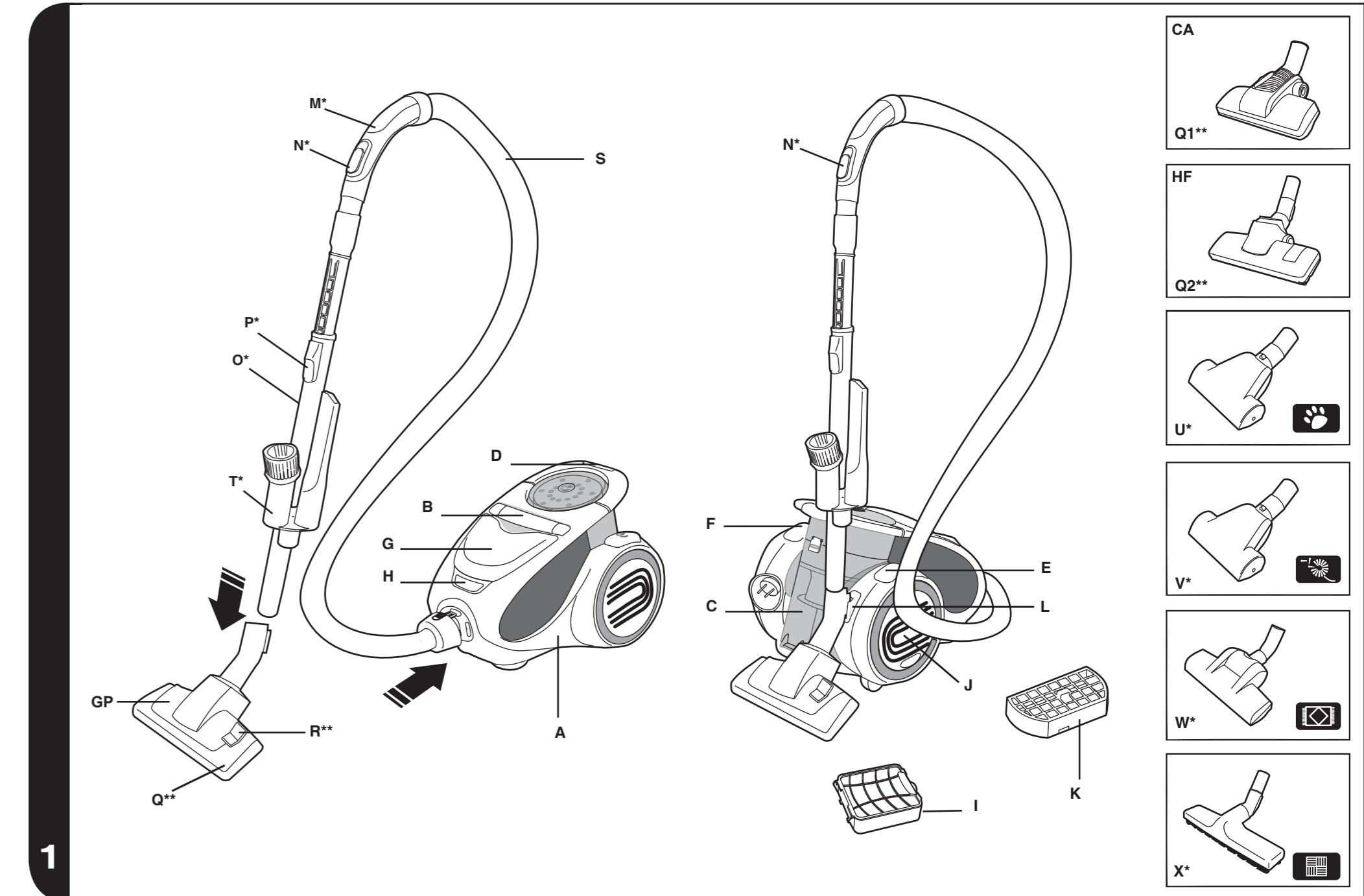


USER MANUAL (GB) .....P 01  
 MANUEL D'UTILISATION (FR) .....P 05  
 BEDIENUNGSANLEITUNG (DE) .....P 09  
 MANUALE ISTRUZIONI (IT) .....P 13  
 GEBRUIKERSHANDLEIDING (NL) .....P 17  
 MANUAL DE INSTRUÇÕES (PT) .....P 21  
 MANUAL DE INSTRUCCIONES (ES) .....P 25  
 BRUGERVEJLEDNING (DK) .....P 29  
 BRUKSANVISNING (NO) .....P 33  
 INSTRUKTIONSMANUAL (SE) .....P 37  
 KÄYTTÖOHJE (FI) .....P 41  
 ΟΔΗΓΙΕΣ ΧΡΗΣΕΩΣ (GR) .....P 45  
 РУКОВОДСТВО ПОЛЬЗОВАТЕЛЯ (RU) .....P 49  
 INSTRUKCJA OBSŁUGI (PL) .....P 53  
 NÁVOD K OBSLUZE (CZ) .....P 57  
 NAVODILA ZA UPORABO (SI) .....P 61



PRINTED IN P.R.C.  
 48012915/01

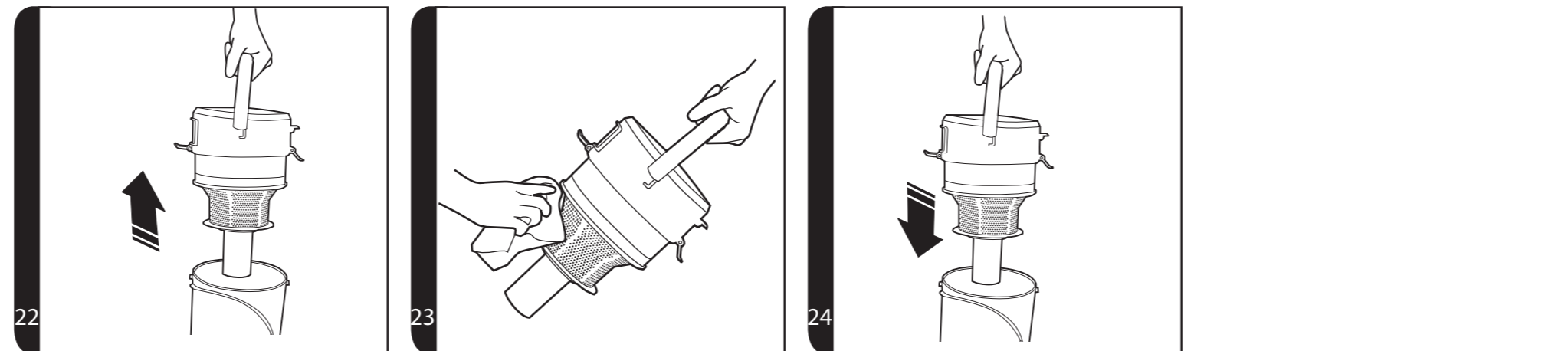
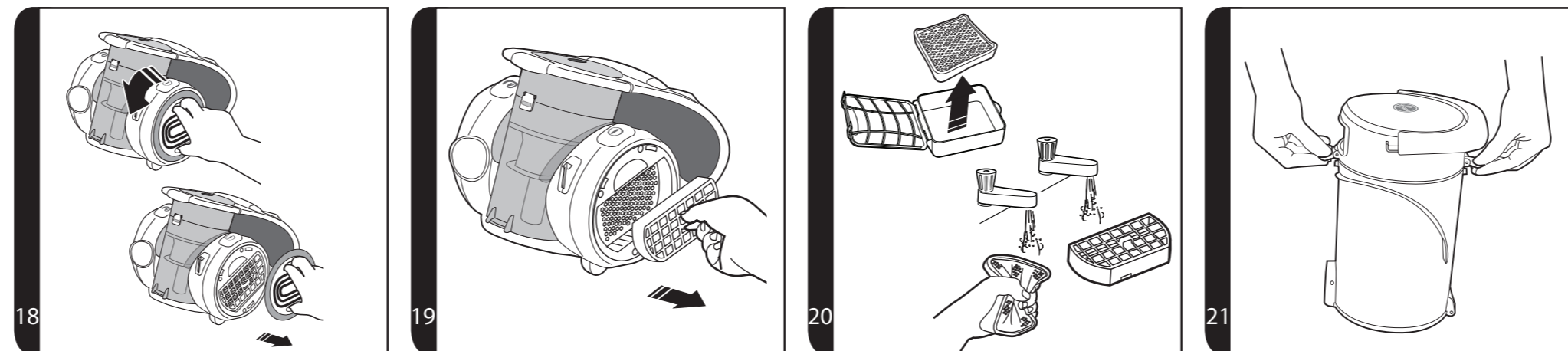
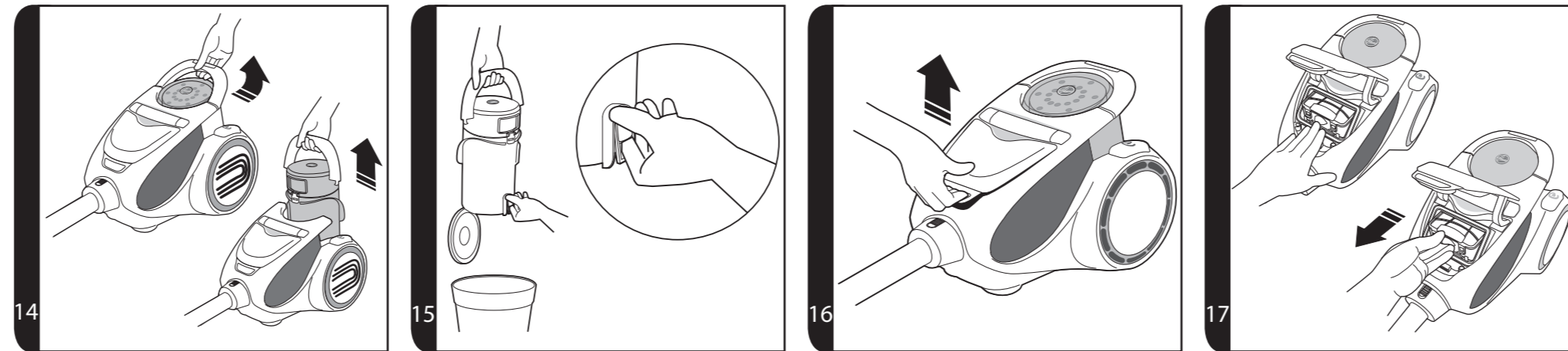
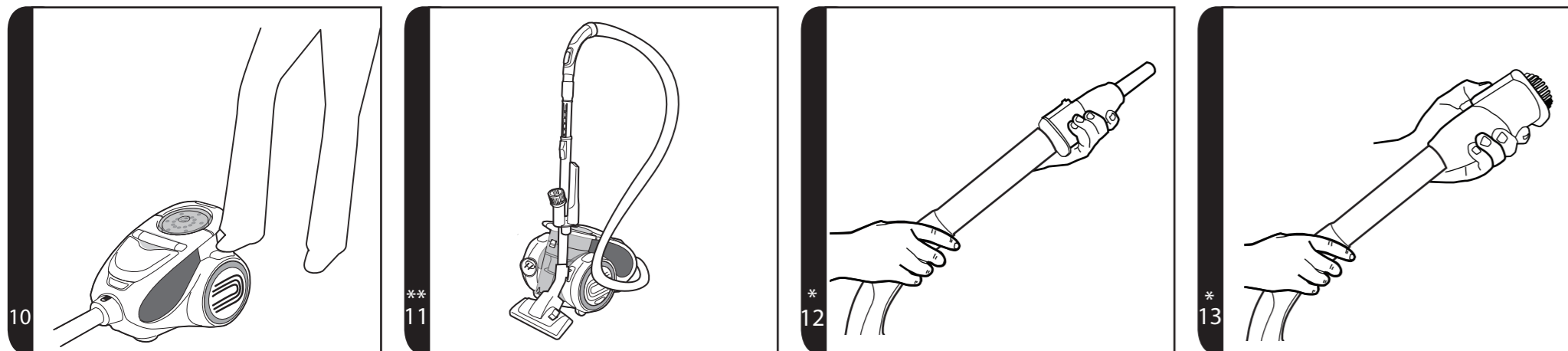
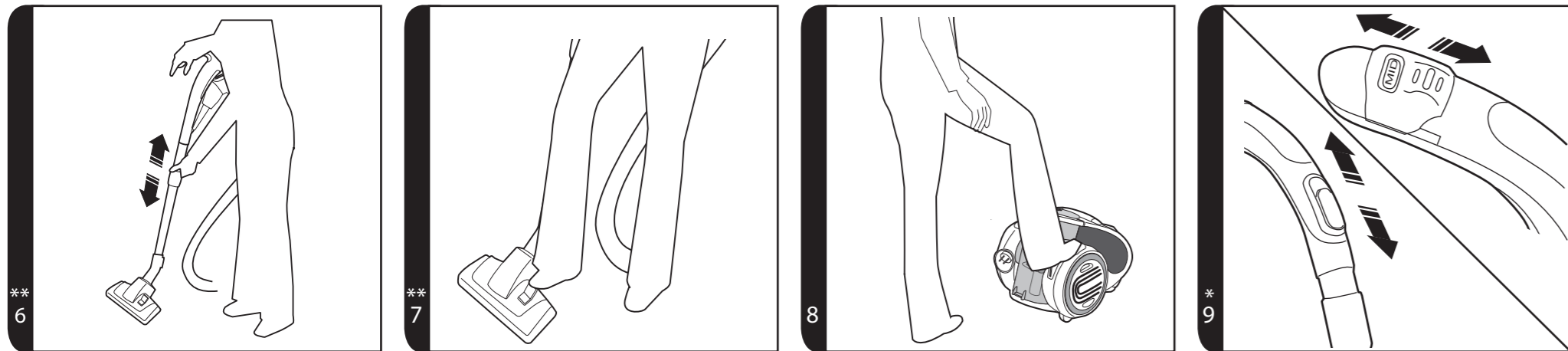
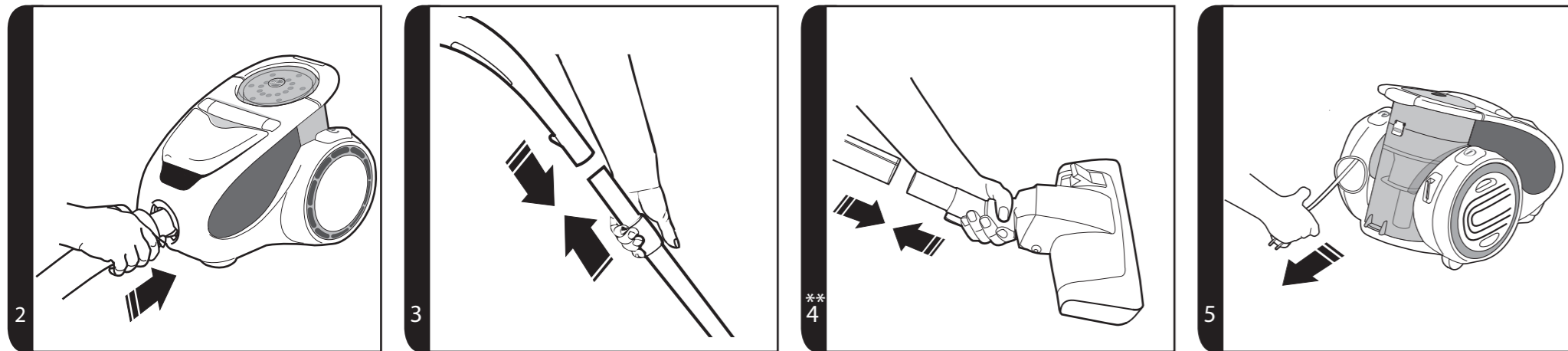
GENERATION FUTURE



1

\* Certain models only

\*\* Certain models only, nozzles may vary according to model



\* Certain models only      \*\* Certain models only, nozzles may vary according to model

## INSTRUCTIONS FOR SAFE USE

This appliance should only be used for domestic cleaning, as described in this user guide. Please ensure that this guide is fully understood before operating the appliance.

Do not leave the appliance plugged in. Always switch off and remove the plug from the socket after use, or before cleaning the appliance or any maintenance task.

This appliance can be used by children aged from 8 years and above and persons with reduced physical, sensory or mental capabilities or lack of experience and knowledge if they have been given supervision or instruction concerning use of the appliance in a safe way and understand the hazards involved. Children shall not play with the appliance. Cleaning and user maintenance shall not be made by children without supervision.

If the power cord is damaged stop using the appliance immediately. To avoid a safety hazard, an authorised HOOVER service engineer must replace the power cord.

Keep hands, feet, loose clothing and hair away from rotating brushes.

Use only attachments, consumables or spares recommended or supplied by HOOVER.

**Static electricity:** Some carpets can cause a small build up of static electricity. Any static discharge is not hazardous to health.

Do not use your appliance out of doors or on any wet surface or for wet pick up.

Do not pick up hard or sharp objects, matches, hot ashes, cigarette ends or other similar items.

Do not spray with or pick up flammable liquids, cleaning fluids, aerosols or their vapours.

Do not run over the power cord when using your appliance or remove the plug by pulling on the power cord.

Do not continue to use your appliance if it appears faulty.

**HOOVER service:** To ensure the continued safe and efficient operation of this appliance we recommend that any servicing or repairs are only carried out by an authorised HOOVER service engineer.

Do not stand on or wrap the cord around arms or legs when using your appliance.

Do not use the appliance to clean animals or people.

Do not position the appliance above you when cleaning the stairs.

### The Environment

The symbol on this appliance indicates that this appliance may not be treated as household waste. Instead it must be handed over to the applicable collection point for the recycling of electrical and electronic equipment. Disposal must be carried out in accordance with local environmental regulations for waste disposal. For more detailed information about treatment, recovery and recycling of this appliance, please contact your local city office, your household and waste disposal service or the shop where you purchased the appliance.



 This appliance complies with the European Directives 2006/95/EC, 2004/108/EC and 2011/65/EU.

HOOVER Limited, Pentrebach, Merthyr Tydfil, Mid Glamorgan, CF48 4TU, UK

## GETTING TO KNOW YOUR CLEANER

- A. Cleaner main body
- B. Carry handle
- C. Dust Container
- D. Dust Container handle and latch
- E. On/Off Button
- F. Cord Rewind Button
- G. Filter Door
- H. Filter Door latch
- I. Pre-Motor Filter Pack
- J. Exhaust Filter Grid
- K. Exhaust Filter
- L. Parking Slot
- M. Handle
- N. Suction Control
- O. Telescopic Tube
- P. Telescopic Tube Adjuster
- Q. Carpet and Floor nozzle(**GP**)\*\*
  - Q1. Carpet Nozzle (**CA**)\*\*
  - Q2. Hard Floor Nozzle (**HF**)\*\*
- R. Surface Selector\*\*
- S. Hose
- T1. Crevice Tool\*
- T2. Dusting Brush\*
- U. Pet Hair Remover Mini Turbo Nozzle\*
- V. Allergen Remover Mini Turbo Nozzle\*
- W. Grand Turbo Nozzle\*
- X. Parquet Nozzle\*

## ASSEMBLING YOUR CLEANER

Remove all components from the packaging.

1. Connect the hose to the cleaner main body. [2]
2. Connect the tube upper end to the navigator handle [3].
3. Connect the tube lower end to the nozzle. [4]

## USING YOUR CLEANER

1. Extract power cord and plug it into the power supply. Do not pull the cord beyond the red marker. [5]
2. Adjust the telescopic tube to the desired height by holding the handle and moving the central hand grip up or down. [6]
3. Select the type of surface to be cleaned by pressing the pedal in the nozzle. [7]
  - Hard Floor – Brushes are lowered to protect the floor.
  - Carpet – Brushes are raised for the deepest clean.
4. Switch the cleaner on by pressing the On/Off Button on the cleaner main body. [8]
5. Adjust the suction by sliding the suction regulator to the desired level. [9]
6. Switch off at the end of use by pressing the On/Off Button. Unplug and press the cord rewind button to wind the power cord back into the cleaner. [10]
7. To store your cleaner adjust telescopic tube to the lowest height setting and park the nozzle in the park position on the cleaner main body. [11]

## ACCESSORIES

To obtain the best performance and energy efficiency<sup>#1</sup> it is recommended that the correct nozzles are used for the main cleaning operations. These nozzles are indicated in the diagrams by the letters **GP**, **HF** or **CA**.

A nozzle type **GP** can be used to clean both carpet and hard floor.

A nozzle type **HF** is suitable for use only on hard floor.

A nozzle of type **CA** is suitable for use only on carpet.

The other nozzles are accessories for specialist cleaning tasks and are recommended for occasional use only.

It is important to note that this vacuum cleaner is supplied with an Energy Label as required by European Regulation (EU) 665/2013.

If the label shows a red prohibition circle on the left covering the carpet symbol, then this indicates that the vacuum cleaner is not suitable use on carpets.

If the label shows a red prohibition circle on the right covering the hard floor symbol, then this indicates that the vacuum cleaner is not suitable for use on hard floors.

**#1 NOTE:** Dust pick up ability carpet, dust pick up ability hard floor, and energy efficiency in accord with Commission Regulations (EU) 665/2013 and (EU) 666/2013.

Please see the model specification on the packaging label for inclusion of accessories to individual models. All accessories can be purchased separately from Hoover. (See Hoover Spares and Consumable section).

All accessories can be fitted to the end of the hose or the end of the telescopic tube.

**Crevice Tool** – For corners and hard to reach areas. [12]



**Dusting Brush** – For bookshelves, frames, keyboards and other delicate areas. To extend the brushes push the button on the body of the tool. [13]

**Parquet Nozzle\*** – For parquet floors and other delicate floors. [1X]

**Grand Turbo Nozzle\*** – Use the turbo nozzle for deep cleaning on carpets. [1W]

**Pet Hair Remover Mini Turbo Nozzle\*** - Use the mini turbo nozzle on stairs or for deep cleaning on textile surfaces and other hard to clean areas. Particularly suitable for pet hairs removal. [1U]

**Allergen Remover Mini Turbo Nozzle\*** – Use the mini turbo nozzle on stairs or for deep cleaning on textile surfaces and other hard to clean areas, particularly suitable for allergen removal. [1V]

**IMPORTANT:** Do not use the turbo and mini turbo nozzles on rugs with long fringes, animal hides and carpet pile deeper than 15mm. Do not keep the nozzle stationary while the brush is rotating.

## CLEANER MAINTENANCE

### Emptying the Dust Container

When the dust reaches the max level indicator in the container empty the dust container.

**IMPORTANT:** To maintain optimum performance do not allow the dust to sit higher than the max level.

1. Release the container carry handle by lifting the centre latch to detach the dust container from the main cleaner and pull upward to remove. [14]
2. Hold the dust container over a bin with one hand and with the other pull the dust container catch to open the door and empty. [15]
3. Close the dust container door and refit to the cleaner main body. To lock in place push the container carry handle down until the latch connects with the main body of the cleaner. Once correctly retained the carry handle will sit flush with the top of the cleaner.

### Cleaning the washable filters

The cleaner is fitted with two blue hepa filter packs. To maintain optimum cleaning performance regularly remove the filters and tap against the side of the bin to release dust. The filters should be washed every 3 months or when the filter has excessive dust level.

**IMPORTANT:** Regularly check and maintain the filters.

**IMPORTANT:** Always ensure the filter pack is fully dry before use.

#### To access the Pre-Motor filter:

**NOTE:** Ensure the carry handle is at its down position before opening the filter door.

1. Unlock the filter door by pulling the filter latch upwards. Open the filter door. [16]
2. Remove the filter pack by pressing down on the retainer catch to release. The filter pack will pop up. Slide the filter pack out. [17]
3. Unlatch the filter pack frame.
4. Remove the HEPA micro filter from the pack frame and wash the micro filter by hand

using warm water. Do not use hot water or detergents. Remove excess water from the filter and leave to dry fully before reusing. [20]

5. Reassemble to filter pack once fully dry and refit to the cleaner. Press on the top of the filter to ensure it clips back into place.

#### To access the exhaust filter:

1. Unlock the exhaust filter door by rotating the door along arrow indicated. [18]
2. Remove the filter pack from recess. [19]
3. Gently tap and wash the blue Hepa filter unit. Do not use hot water or detergents. Remove excess water from the filter and leave to dry fully before reusing. [20]
4. Reassemble filter pack once fully dry and refit to the cleaner.

**IMPORTANT:** Do not use the product without the filter pack fitted.

### Cleaning the Airvolution separation unit

This cleaner uses the Airvolution separation system, unique to Hoover. If necessary the Airvolution separation unit can be removed from the dust container and cleaned.

1. Remove dust container from the cleaner by releasing the container carry handle to detach the dust container from the main cleaner and pull upward to remove. [14]
2. Place the dust container on a flat surface and unclip the clips from either side of the dust container. [21]
3. Using the dust container handle lift the dust container upper section containing the separation unit from the lower section. [22]
4. Use a cloth to remove excessive dust from the separation unit's surface. [23]
5. Reassemble the dust container upper section. Push clips back to fully close the dust container. [24]
6. Refit the dust container to the cleaner. To lock in place push the container carry handle down until the latch connects with the main body of the cleaner. Once correctly retained the carry handle will sit flush with the top of the cleaner.

### Removing a blockage

1. Check if the dust container is full. If so refer to 'Emptying the dust container'.
2. If the dust container is empty but suction is still low:
  - A. Do the filters need cleaning? If so refer to 'Cleaning the washable filters'.
  - B. Check if there is any other blockage in the system - Use a rod or pole to remove any blockage from the extension tube or flexible hose.
  - C. Check if pre-motor filter is fitted and filter door is closed.
  - D. Check if the separation unit needs to be cleaned. Refer to 'Cleaning the separation unit'.

## USER CHECKLIST

Should you have a problem with the product, complete this simple user checklist before calling your local Hoover service.

- Is there a working electricity supply to the cleaner? Please check with another electrical appliance.
- Is the dust container over-filled? Please refer to 'Cleaner Maintenance'.
- Is the filter blocked? Please refer to 'Cleaner Maintenance'.
- Is the hose or nozzle blocked? Please refer to 'Removing a blockage' from the system.
- Has the cleaner overheated? If so, it will take approximately 30 minutes to automatically reset.

## IMPORTANT INFORMATION

### Hoover spares and Consumables

Always replace parts with genuine Hoover spares. These are available from your local Hoover dealer or direct from Hoover. When ordering parts always quote your model number.

Pre-Motor Filter	S112	35601238
Purefilt Exhaust Filter	T106	35601238
Complete Flexible Hose	D122	35601055
Carpet & Floor Extra Nozzle	G202EE	35601595
Carpet & Floor Smart Nozzle	G217SE	35601610
Hard Floor Extra Nozzle	G207EE	35601600
Hard Floor Smart Nozzle	G206SE	35601599
Carpet Extra Nozzle	G210EE	35601603
Parquet Extra Nozzle	G90PCB	35600934
Mini Turbo Nozzle	J32	35600817
Turbo Nozzle	J57	35601239

### Hoover Service

Should you require service at any time, please contact your local Hoover Service Office.

### Quality

Hoover's factories have been independently assessed for quality. Our products are made using a quality system which meets the requirements of ISO 9001.

### Your Guarantee

The guarantee conditions for this appliance are as defined by our representative in the country in which it is sold. Details regarding these conditions can be obtained from the dealer from whom the appliance was purchased. The bill of sale or receipt must be produced when making any claim under the terms of this guarantee.

Subject to change without notice.

## INSTRUCTIONS DE SÉCURITÉ D'UTILISATION

Cet appareil ne doit être utilisé que pour un nettoyage domestique, conformément à ce guide d'utilisation. Veuillez vous assurer que ces instructions sont parfaitement comprises avant d'utiliser l'appareil.

Ne laissez pas l'appareil branché. Eteignez et débranchez toujours l'appareil après l'avoir utilisé, ou avant de le nettoyer ou de procéder à son entretien.

Cet appareil peut être utilisé par des enfants âgés d'au moins 8 ans et par des personnes ayant des capacités physiques, sensorielles ou mentales réduites, ou n'ayant pas d'expérience ou de connaissances en la matière. Ces dernières doivent recevoir des instructions sur l'utilisation de l'appareil en toute sécurité et comprendre les risques impliqués. Les enfants ne doivent pas jouer avec l'appareil. Le nettoyage et l'entretien ne devraient pas être effectués par des enfants sans supervision.

Si le cordon d'alimentation est endommagé, arrêtez immédiatement d'utiliser l'appareil. Pour éviter les risques d'accident, un réparateur HOOVER agréé doit remplacer le cordon d'alimentation.

Maintenez les mains, pieds, vêtements lâches et cheveux à distance des brosses rotatives.

N'utilisez que les accessoires, consommables ou pièces détachées recommandés ou fournis par HOOVER.

**Électricité statique:** Certains tapis peuvent entraîner une petite accumulation d'électricité statique. Les décharges d'électricité statique ne sont pas dangereuses pour la santé.

N'utilisez pas votre appareil à l'extérieur, sur une surface humide ou pour un ramassage humide.

N'aspirez pas d'objets durs ou tranchants, d'allumettes, de cendres

chaudes, de mégots de cigarettes ou d'autres objets similaires.

Ne pulvérisez ou n'aspirez pas des liquides inflammables, des produits d'entretien liquides, des aérosols ou leurs vapeurs.

Ne marchez pas sur le cordon d'alimentation lorsque vous utilisez votre appareil et ne débranchez pas la fiche en tirant sur le cordon d'alimentation.

Ne continuez pas à utiliser votre appareil s'il semble défectueux.

**Service HOOVER:** Pour assurer l'utilisation sûre et efficace de cet appareil, nous recommandons de n'en confier l'entretien ou les réparations qu'à un réparateur HOOVER agréé.

Ne marchez pas sur le cordon d'alimentation ou ne l'enroulez pas sur vos bras ou vos jambes quand vous utilisez l'appareil.

N'utilisez pas l'appareil sur des personnes ou des animaux.

Lors du nettoyage des escaliers, ne placez pas l'appareil dans une position plus haute que la vôtre.

### Environnement

Le symbole figurant sur cet appareil indique qu'il ne peut pas être mis au rebut avec les ordures ménagères. Vous devez le déposer dans un centre de recyclage des déchets électriques et électroniques. La mise au rebut doit être effectuée conformément à la réglementation locale en matière de déchets. Pour obtenir des compléments d'information sur le traitement, la récupération et le recyclage de cet appareil, veuillez contacter votre municipalité, le service local d'élimination des ordures ménagères ou le revendeur de l'appareil.



**CE** Cet appareil est conforme aux Directives européennes 2006/95/CE, 2004/108/CE et 2011/65/UE.

HOOVER Limited, Pentrebach, Merthyr Tydfil, Mid Glamorgan, CF48 4TU, UK

## PREMIÈRE UTILISATION

- A. Corps de l'aspirateur
- B. Poignée transport
- C. Bac à poussière
- D. Poignée et loquet de verrouillage de bac à poussière
- E. Commutateur Marche/Arrêt
- F. Bouton d'enroulement du cordon
- G. Trappe de filtre
- H. Loquet de verrouillage de trappe de filtre
- I. Jeu de filtres de protection du moteur
- J. Trappe du filtre d'évacuation
- K. Filtre d'évacuation
- L. Fente de rangement
- M. Poignée
- N. Régulation de l'aspiration
- O. Brosse pour moquette et sol dur (GP)\*\*
  - Q1. Brosse pour moquette (CA)\*\*
  - Q2. Suceur pour sol dur (HF)\*\*
- P. Bouton de réglage du tube télescopique\*\*
- Q. Brosse moquette et sol dur
- R. Sélecteur surface
- S. Flexible
- T1. Suceur plat \*
- T2. Brosse meuble\*
- U. Mini turbobrosse pour élimination des poils d'animaux domestiques\*
- V. Mini turbobrosse pour élimination des allergènes\*
- W. Super turbobrosse\*
- X. Brosse Parquet \*

## MONTAGE DE L'ASPIRATEUR

Sortez tous les composants de l'emballage.

1. Raccordez le flexible à l'aspirateur en veillant à ce qu'il se fixe bien et se verrouille correctement. [2]
2. Raccordez l'extrémité supérieure du tube à la poignée de guidage [3] .
3. Raccordez l'extrémité inférieure du tube à la brosse moquette et sol dur. [4]

## UTILISATION DE L'ASPIRATEUR

1. Sortez le cordon d'alimentation et branchez-le sur la prise d'alimentation. Ne sortez pas le cordon au-delà du repère rouge. [5]
2. Pour régler la longueur du tube télescopique gardez la brosse en position et réhaussez ou abaissez la poignée. [6]
3. Sélectionnez le type de surface à nettoyer en appuyant sur la pédale de la brosse. [7]
  - Sol dur – Les brosses sont baissées pour protéger le sol.
  - Moquette – Les brosses sont relevées pour un nettoyage en grande profondeur.
4. Allumez l'aspirateur en appuyant sur le bouton de Marche/Arrêt. [8]
5. Ajustez l'aspiration en glissant le curseur d'aspirateur jusqu'au niveau voulu. [9]
6. Eteignez l'aspirateur après utilisation en appuyant sur le bouton de Marche/Arrêt. Débranchez l'aspirateur et enroulez le cordon d'alimentation dans l'aspirateur en appuyant sur le bouton d'enroulement du cordon. [10]
7. Pour ranger l'aspirateur, réglez le tube télescopique à la hauteur la plus basse et rangez la brosse sur la position parking de l'aspirateur. [11]

## ACCESSOIRES

Pour obtenir la meilleure performance et efficacité énergétique <sup>#1</sup>, il est conseillé d'utiliser les bonnes brosses pour les principales opérations de nettoyage.

Ces brosses sont indiquées dans les diagrammes par les lettres **GP**, **HF** ou **CA**.

Un type de brosse **GP** peut être utilisé pour nettoyer la moquette et le sol dur.

Un type de brosse **HF** n'est adapté que pour les sols durs.

Un type de brosse **CA** n'est adapté que pour les moquettes.

Les autres brosses sont des accessoires pour les tâches de nettoyage spécialisé et ne sont conseillés que pour des usages occasionnels.

Il est important de souligner que cet aspirateur est fourni avec une étiquette énergétique comme l'exige la réglementation européenne (UE) 665/2013.

Si l'étiquette présente un cercle d'interdiction rouge à gauche et recouvre le symbole de moquette, cela signifie qu'il n'est pas approprié d'utiliser l'aspirateur sur des moquettes.

Si l'étiquette présente un cercle d'interdiction rouge à droite et recouvre le symbole de sol dur, cela signifie qu'il n'est pas approprié d'utiliser l'aspirateur sur des sols durs.

**#1 REMARQUE:** Capacité de ramassage de la poussière sur moquette, capacité de ramassage de la poussière sur sol dur et efficacité énergétique en conformité à la réglementation de la Commission (UE) 665/2013 et (UE) 666/2013.

Les accessoires diffèrent en fonction des modèles. Veuillez vous reporter aux caractéristiques figurant sur l'étiquette de l'emballage pour les accessoires correspondant aux modèles individuels. Ces accessoires peuvent s'acheter séparément auprès d'un revendeur Hoover. (Voir la section Pièces détachées et consommables Hoover).

\*Sur certains modèles uniquement

\*\* Sur certains modèles uniquement, les brosses peuvent varier selon le modèle



Tous les accessoires s'adaptent à l'extrémité du flexible ou à l'extrémité du tube télescopique.

**Suceur plat** – Pour coins et endroits difficiles d'accès. [12]

**Brosse meuble** – Pour étagères, cadres, claviers et autres surfaces délicates. Pour sortir les brosses, appuyez sur le bouton situé sur le corps de l'accessoire. [13]

**Brosse Parquet\*** – Pour parquet et autres sols délicats. [1X]

**Super turbobrosse\*** – Pour le nettoyage en profondeur des moquettes. [1W]

**Mini turbobrosse pour élimination des poils d'animaux domestiques\*** - Mini turbo brosse pour escaliers ou nettoyage en profondeur des surfaces textiles et autres surfaces difficiles à aspirer. Particulièrement efficace pour éliminer les poils d'animaux. [1U]

**Mini turbobrosse pour élimination des allergènes\*** – Utilisez la mini turbo brosse pour les escaliers ou le nettoyage en profondeur des surfaces textiles et autres surfaces difficiles à nettoyer, particulièrement efficace pour éliminer les allergènes. [1V]

**IMPORTANT :** Ne pas utiliser les brosses turbo et mini turbo sur les tapis à franges longues, les peaux d'animaux ou les moquettes à poils de plus de 15 mm de longueur. Ne pas laisser la brosse tourner sur place.

## ENTRETIEN DE L'ASPIRATEUR

### Vidage du bac à poussière

Lorsque la poussière atteint le repère de niveau maximum, videz le bac à poussière.

**IMPORTANT :** Afin de maintenir la performance optimale de l'appareil, ne laissez pas la poussière s'accumuler au-delà du niveau maximum.

1. Libérez la poignée de transport du bac en soulevant le loquet de verrouillage central pour détacher le bac à poussière de l'aspirateur et tirez vers le haut pour le retirer. [14]
2. Tenez le bac à poussière d'une main au-dessus d'une poubelle et tirez sur le verrou du bac à poussière de l'autre pour ouvrir la trappe et videz le bac. [15]
3. Fermez la trappe du bac à poussière et replacez le sur l'aspirateur. Pour le verrouiller, poussez la poignée de transport du bac vers le bas jusqu'à ce que le loquet s'enclanche sur l'aspirateur. Une fois en place, la poignée de transport repose sur la partie supérieure de l'aspirateur.

### Nettoyage des filtres lavables

L'aspirateur est pourvu d'un jeu de filtres Hepa bleus. Pour une performance optimale d'aspiration, retirez régulièrement les filtres et les tapoter contre le côté du bac pour décoller la poussière. Les filtres doivent être lavés tous les 3 mois ou lorsqu'ils sont encrassés.

**IMPORTANT :** Contrôlez et entretenez régulièrement les filtres.

**IMPORTANT :** Veillez toujours à ce que le jeu de filtre soit bien sec avant utilisation.

### Pour accéder au filtre de protection du moteur :

**REMARQUE :** Veillez à ce que la poignée de transport soit bien en position basse avant d'ouvrir la trappe de filtre.

1. Déverrouillez la trappe de filtre en tirant le verrou de filtre vers le haut. Ouvrez la trappe de filtre. [16]
2. Retirez le jeu de filtres en appuyant vers le bas sur le verrou de maintien pour le libérer. Le jeu de filtres sera expulsé. Sortez le jeu de filtres en le faisant glisser. [17]
3. Déverrouillez le support du jeu de filtres.
4. Retirez le micro filtre HEPA du jeu de filtres et nettoyez-le à la main avec de l'eau tiède. N'utilisez pas d'eau chaude ou de détergents. Éliminez l'excédent d'eau du filtre et laissez-le sécher complètement avant de le réutiliser. [20]
5. Remontez le jeu de filtres une fois complètement sec et remettez le bac à poussière sur l'aspirateur. Appuyez sur le sommet du filtre en veillant à ce qu'il se fixe bien en place.

### Pour accéder au filtre sortie moteur :

1. Déverrouillez la trappe du filtre d'évacuation en la tournant dans le sens indiqué par la flèche. [18]
2. Retirez le jeu de filtres de son logement. [19]
3. Tapotez doucement et lavez le filtre HEPA (pièce de couleur bleu). N'utilisez pas d'eau chaude ou de détergents. Éliminez l'excédent d'eau du filtre et laissez-le sécher complètement avant de le réutiliser. [20]
4. Remontez le jeu de filtres une fois complètement sec et remettez-le en place sur l'aspirateur.

**IMPORTANT :** N'utilisez pas l'aspirateur sans les filtres.

### Nettoyage du système de séparation Airvolution

Cet aspirateur dispose du système de séparation Airvolution unique à Hoover. Si nécessaire, il est possible de démonter l'unité de séparation Airvolution du bac à poussière pour la nettoyer.

1. Retirez le bac à poussière de l'aspirateur en déverrouillant la poignée de transport du bac pour le détacher de l'aspirateur et tirez vers le haut pour le retirer. [14]
2. Placez le bac à poussière sur une surface plate et défaites les clips de part et d'autre du bac. [21]
3. Soulevez la section supérieure du bac à poussière contenant l'unité de séparation de la section inférieure à l'aide de sa poignée. [22]
4. Éliminez la poussière de la surface de l'unité de séparation à l'aide d'un chiffon. [23]
5. Remontez la section supérieure du bac à poussière. Refermez la cuve complètement à l'aide des clips. [24]
6. Remettez le bac à poussière dans l'aspirateur. Pour le verrouiller, poussez la poignée de transport du bac vers le bas jusqu'à ce que le loquet s'enclanche sur l'aspirateur. Une fois en place, la poignée de transport repose sur la partie supérieure de l'aspirateur.

### Élimination d'une obstruction

1. Vérifiez si le bac à poussière est plein. Si c'est le cas, voir « Pour vider le bac à poussière ».

\*Sur certains modèles uniquement

\*\* Sur certains modèles uniquement, les brosses peuvent varier selon le modèle

2. Si le bac à poussière est vide mais que l'aspirateur aspire mal :
- Les filtres ont-ils besoin d'être nettoyés ? Si c'est le cas, voir « Pour nettoyer les filtres lavables ».
  - Vérifiez qu'il n'y ait pas de blocage à un autre endroit du système. - Si les obstructions sont dans le tube de rallonge, le flexible ou encore la brosse, enlevez-les à l'aide d'une tige.
  - Vérifiez que le filtre de protection du moteur est en place et que la trappe de filtre est fermée.
  - Vérifiez si l'unité de séparation doit être nettoyée. Reportez-vous à « Pour nettoyer la cassette cyclonique ».

## LISTE DES VÉRIFICATIONS À EFFECTUER

En cas de problèmes avec l'appareil, effectuez les vérifications de la liste de vérifications avant d'appeler le service après-vente Hoover.

- L'aspirateur est-il alimenté en électricité ? Veuillez vérifier la prise utilisée avec un autre appareil électrique.
- Le bac à poussière est-il saturé ? Veuillez vous reporter à « Entretien de l'aspirateur ».
- Le filtre est-il encrassé ? Veuillez vous reporter à « Entretien de l'aspirateur ».
- Le tube ou le flexible est-il bouché ? Veuillez vous reporter à « Pour éliminer un blocage dans le système ».
- L'aspirateur a-t-il surchauffé ? Si c'est le cas, il lui faudra environ 30 minutes pour se réinitialiser automatiquement.

## INFORMATIONS IMPORTANTES

### Pièces détachées et consommables Hoover

Toujours remplacer les pièces par des pièces détachées de la marque Hoover. Celles-ci sont disponibles auprès de votre revendeur Hoover. Lors de la commande de pièces, veuillez toujours préciser le numéro de votre modèle.

Pre-Motor Filter	S112	35601238
Purefilt Exhaust Filter	T106	35601238
Complete Flexible Hose	D122	35601055
Carpet & Floor Extra Nozzle	G202EE	35601595
Carpet & Floor Smart Nozzle	G217SE	35601610
Hard Floor Extra Nozzle	G207EE	35601600
Hard Floor Smart Nozzle	G206SE	35601599
Carpet Extra Nozzle	G210EE	35601603
Parquet Extra Nozzle	G90PCB	35600934
Mini Turbo Nozzle	J32	35600817
Turbo Nozzle	J57	35601239

### Service Hoover

Pour toute intervention à tout moment, veuillez contacter le service après-vente Hoover le plus proche.

### Qualité

La qualité des usines Hoover a fait l'objet d'une évaluation indépendante. Nos produits sont fabriqués selon un système de qualité conforme à la norme ISO 9001.

### Votre garantie

Les conditions de garantie de cet appareil sont définies par notre représentant dans le pays où il est vendu et peuvent être obtenues auprès de votre revendeur. La facture d'achat ou le reçu doivent être présentés pour toutes réclamations relevant des conditions de cette garantie.

Ces conditions peuvent être modifiées sans préavis.

## HINWEISE FÜR DIE SICHERE BENUTZUNG

Dieses Gerät ist nur zum Gebrauch im Haushalt und nicht für gewerbliche Zwecke bestimmt. Das Gerät ausschließlich gemäß den Angaben in dieser Bedienungsanleitung verwenden. Vor dem Gebrauch des Gerätes muss die vorliegende Bedienungsanleitung gelesen und vollständig verstanden worden sein.

Ziehen Sie den Netzstecker nach Gebrauch aus der Steckdose. Vor der Reinigung oder Wartung das Gerät stets ausschalten und den Netzstecker aus der Steckdose ziehen.

Dieses Gerät darf von Kindern ab 8 Jahren sowie körperlich, geistig oder sensorisch behinderten Personen bzw. Personen ohne Erfahrung und Kenntnisse im Gebrauch nur unter Aufsicht oder unter Anleitung für die sichere Benutzung und den damit verbundenen Gefahren benutzt werden. Kinder sollten nicht unbeaufsichtigt mit dem Gerät spielen. Die Reinigungs- und Wartungsarbeiten, die vom Benutzer ausgeführt werden können, dürfen von Kindern nur unter Aufsicht ausgeführt werden.

Ist das Netzkabel beschädigt, darf das Gerät NICHT mehr benutzt werden. Im Falle eines Defektes darf das Netzkabel nur durch einen autorisierten HOOVER-Kundendiensttechniker ausgetauscht werden.

Hände, Füße, lose Kleidung und Haare von den rotierenden Bürsten fernhalten.

Verwenden Sie nur von HOOVER empfohlene oder gelieferte Zubehörteile, Verbrauchsmaterialien und Ersatzteile.

**Statische Aufladung:** Manche Teppiche können die Bildung statischer Elektrizität verursachen. Die jedoch sehr gering und bei Entladung nicht gesundheitsschädlich ist.

Benutzen Sie das Gerät nicht im Freien, auf nassen Oberflächen oder zur Aufnahme von nassen Materialien.

Vermeiden Sie es, harte oder scharfe Gegenstände, Streichhölzer, heiße Asche, Zigarettenkippen oder Ähnliches aufzusaugen.

Niemals entzündliche Flüssigkeiten, Reinigungsmittel, Aerosole oder deren Dämpfe auf das Gerät sprühen oder damit aufsaugen.

Während des Saugens nicht über das Netzkabel fahren. Nicht am Kabel ziehen, um den Gerätestecker aus der Steckdose zuziehen.

Stellen Sie die Verwendung des Gerätes ein, wenn ein Defekt am Gerät vermutet wird.

**HOOVER-Kundendienst:** Um auf Dauer den sicheren und effizienten Betrieb dieses Gerätes zu gewährleisten, empfehlen wir, Wartungs- und Reparaturarbeiten ausschließlich von einem zugelassenen HOOVER-Kundendienst durchführen zu lassen.

Treten Sie sich beim Gebrauch des Gerätes nicht auf das Netzkabel und wickeln Sie es sich nicht um Arme oder Beine.

Benutzen Sie das Gerät nicht zur Reinigung von Menschen oder Tieren.

Positionieren Sie den Staubsauger bei der Reinigung von Treppen nicht oberhalb Ihres Standortes.

### Umweltschutz

Das am Gerät angebrachte Symbol gibt an, dass dieses Gerät nicht als Hausmüll behandelt werden darf, sondern an einer entsprechenden Sammelstelle für das Recycling von elektrischen und elektronischen Geräten zu entsorgen ist. Die Entsorgung ist in Übereinstimmung mit allen geltenden Vorschriften für die umweltgerechte Abfallentsorgung vorzunehmen. Ausführlichere Informationen über die Müllbehandlung und das Recycling dieses Gerätes erhalten Sie von der zuständigen Umweltbehörde, der Müllentsorgungsstelle Ihrer Kommune oder dem Händler, bei dem Sie das Gerät erworben haben.



**CE** Dieses Gerät erfüllt die Europäischen Richtlinien 2006/95/EG, 2004/108/EG und 2011/65/EG.

HOOVER Limited, Pentrebach, Merthyr Tydfil, Mid Glamorgan, CF48 4TU, UK

## BEZEICHNUNG DER TEILE

- A. Gerätekorpus
- B. Tragegriff
- C. Staubbehälter
- D. Staubbehältertragegriff und -verriegelung
- E. Ein-/Aus-Taste
- F. Kabelaufwicklung
- G. Vormotorfilterfachklappe
- H. Entriegelung für Vormotorfilterfach
- I. Vormotorfilterkassette
- J. Klappe Abluftfilter
- K. Abluftfilter
- L. Verstau-Schlitz
- M. Griff
- N. Nebenluftregelung
- O. Teleskoprohr
- P. Teleskopprohrlängenverstellung
- Q. Umschaltbare Bodendüse (**GP**)\*\*
  - Q1. Teppichbodendüse (**CA**)\*\*
  - Q2. Hartbodendüse (**HF**)\*\*
- R. Pedal zur Wahl des Bodenbelags\*\*
- S. Schlauch
- T1. Fugendüse\*
- T2. Möbelpinsel\*
- U. Miniturbodüse\*
- V. AllergyRemover-Miniturbodüse\*
- W. Turbobodendüse\*
- X. Hartbodendüse\*

## ZUSAMMENBAU IHRES STAUBSAUGERS

Nehmen Sie alle Komponenten des Geräts aus dem Karton.

1. Befestigen Sie das Ende des Saugschlauches am Gerätekorpus, so dass das Schlauchende einrastet und arretiert ist. **[2]**
2. Schließen Sie das obere Rohrende am Steuergriff **[3]**.
3. Befestigen Sie am unteren Rohrende die gewünschte Bodendüse. **[4]**

## GEBRAUCH DES STAUBSAUGERS

1. Ziehen Sie das Stromkabel heraus und schließen es an einer Steckdose an. Ziehen Sie das Kabel nicht weiter heraus, als bis zur roten Markierung. **[5]**
2. Stellen Sie das Teleskoprohr auf die gewünschte Höhe ein, indem Sie den Griff am Teleskoprohr nach unten oder oben schieben und den Handgriff in die gewünschte Position einstellen. **[6]**
3. Das Pedal an der Düse drücken, um die gewünschte Bodenart auszuwählen. **[7]**
  - Hartböden – Der Borstenkranz wird zum Schutz des Bodens abgesenkt.
  - Teppichböden – Besonders gründliche Reinigung durch Anheben des Bürstenkranz.
4. Schalten Sie das Gerät ein, indem Sie den Ein/Aus-Schalter am Gerätekörper betätigen. **[8]**
5. Stellen Sie die Saugstärke durch Verschieben des Saugkraftreglers auf die gewünschte Stufe ein. **[9]**
6. Nach Gebrauch durch Betätigen des Ein/Aus-Schalters ausschalten. Ziehen Sie den Stecker heraus und drücken Sie die Taste für die Kabelaufwicklung, wodurch das Netzkabel in den Staubsauger eingezogen wird. **[10]**
7. Zur Aufbewahrung Ihres Staubsaugers das Teleskoprohr auf die niedrigste Höhe einstellen und die Düse in der Parkposition am Gerätekörper platzieren. **[11]**

## ZUBEHÖR

Um die beste Leistung und Energieeffizienz zu erzielen <sup>#1</sup> wird empfohlen, dass die richtigen Düsen für den Hauptreinigungsbetrieb verwendet werden.

Die Düsen werden in den Diagrammen mit den Bezeichnungen **GP**, **HF** oder **CA** gekennzeichnet.

Die Düse mit der Bezeichnung **GP** kann zur Reinigung von Teppichen und Hartböden verwendet werden.

Die Düse mit der Bezeichnung **HF** ist nur für die Reinigung von Hartböden geeignet.

Die Düse mit der Bezeichnung **CA** ist nur für die Reinigung von Teppichen geeignet.

Die anderen Düsen sind Zubehör für besondere Reinigungsaufgaben und werden nur für die fallweise Benutzung empfohlen.

Es ist wichtig, darauf hinzuweisen, dass dieser Staubsauger mit einem Etikett zur Energieverbrauchskennzeichnung gemäß Europäischer Richtlinie (EU) 665/2013 geliefert wird (Energietiquette).

Wenn das Etikett links auf dem Teppichsymbol einen roten Verbotskreis aufweist, bedeutet dies, dass der Staubsauger nicht für die Reinigung von Teppichböden geeignet ist.

Wenn das Etikett rechts auf dem Hartbodensymbol einen roten Verbotskreis aufweist, bedeutet dies, dass der Staubsauger nicht für die Reinigung von Hartböden geeignet ist.

**#1 HINWEIS:** Die Werte für die Staubaufnahmekapazität auf Teppichen, Staubaufnahmekapazität auf Hartböden und Energieeffizienz wurden in Übereinstimmung mit den Verordnungen der Kommission (EU) 665/2013 und (EU) 666/2013 ermittelt.

\*Geräteausstattung ist modellabhängig

\*\* Nur bei bestimmten Modellen, Düsen können modellabhängig sein

Welches Zubehör mit den einzelnen Modellen geliefert wird, entnehmen Sie bitte der Modellspezifikation auf dem Verpackungsetikett. Alle Artikel sind separat von Hoover erhältlich. (Siehe Abschnitt Hoover Original-Ersatzteile und Verbrauchsartikel.).

Alle Zubehörteile können am Ende des Schlauches oder des Telekoprohrs befestigt werden.

**Fugendüse** – Für Ecken und schwer erreichbare Bereiche. [12]

**Möbelpinsel** – Für Bücherregale, Rahmen, Tastaturen und andere empfindliche Bereiche. Zum Verlängern der Bürsten die Taste am Gehäuse des Zubehörteils drücken. [13]

**Hartbodendüse\*** – Für Parkettböden und sonstige empfindliche Böden. [1X]

**Turbobodendüse\*** – Benutzen Sie die Turbobodendüse zur besonders gründlichen Reinigung von Teppichböden. [1W]

**Miniturbodüse\*** - Die Miniturbodüse eignet sich speziell zur Reinigung von Matratzen und Polstermöbeln. Besonders geeignet zur Entfernung von Tierhaaren. [1U]

**AllergyRemover-Miniturbodüse\*** – Die Miniturbodüse eignet sich speziell zur Reinigung von Treppen oder zur Tiefenreinigung von textilen Oberflächen und anderen, schwer zu reinigenden Flächen und ist besonders wirksam gegen allergieauslösende Faktoren. [1V]

**WICHTIG:** Benutzen Sie die Turboboden- und Miniturbodüse nicht auf Teppichen und Vorlegern mit langen Fransen, auf Tierfellen und auf über 15 mm tiefem Teppichflor. Halten Sie die Düse bei sich drehender Bürstwalze nicht still.

## WARTUNG DES STAUBSAUGERS

### Leeren des Staubbehälters

Der Staubbehälter muss geleert werden, wenn die MAX.-Marke am Behälter erreicht ist.

**WICHTIG:** Bitte beachten Sie, dass zur Aufrechterhaltung der optimalen Leistungsfähigkeit Ihres Geräts der Staubbehälter nicht über die MAX.-Marke gefüllt sein sollte.

1. Den Staubbehältergriff anheben und damit den Behälter aus dem Gerät heben. [14]
2. Halten Sie den Staubbehälter mit einer Hand über einen Abfalleimer und drücken mit der anderen Hand den Entriegelungsknopf am unteren Ende, so dass die Klappe sich öffnet. [15]
3. Schließen Sie die Staubbehälterklappe, und setzen Sie den Staubbehälter wieder in den Staubsauger ein. Zur Arretierung den Behältertragegriff nach unten drücken, bis er spürbar einrastet. Bei richtiger Montage rastet der Tragegriff bündig mit dem Oberteil des Staubsaugers zu ein.

### Reinigung der waschbaren Filter

Der Staubsauger ist mit zwei blauen HEPA-Filterkassetten ausgestattet. Zur Aufrechterhaltung der optimalen Leistungsfähigkeit Ihres Gerätes die Filter bitte regelmäßig entfernen und

gründlich ausklopfen. Den Filter alle 3 Monate, oder wenn der Filter sehr starke Verschmutzung aufweist, mit lauwarmen Wasser auswaschen.

**WICHTIG:** Die Filter regelmäßig überprüfen und warten.

**WICHTIG:** Die Filterkassette immer erst dann benutzen, wenn sie ganz trocken ist.

### So entfernen Sie die Vormotorfilterkassette:

**HINWEIS:** Stellen Sie sicher, dass der Tragegriff in der unteren Position ist, bevor Sie die Filtertür öffnen.

1. Entriegeln Sie den Filterdeckel. Öffnen Sie den Filterdeckel. [16]
2. Entnehmen Sie die Filterkassette, indem Sie auf den Feststellriegel drücken. Die Filterkassette hebt sich an. Ziehen Sie die Filterkassette vorsichtig raus. [17]
3. Den Rahmen der Kassette vorsichtig öffnen.
4. Nehmen Sie den HEPA-Mikrofilter aus der Umverpackung und waschen Sie den Mikrofilter in lauwarmem Wasser. Verwenden Sie kein heißes Wasser und keine Reinigungsmittel. Entfernen Sie überschüssiges Wasser aus dem Filter und lassen Sie ihn vor erneuter Verwendung gründlich trocknen. [20]
5. Setzen Sie den Filterpack im Staubsauger wieder ein, wenn er völlig getrocknet ist. Drücken Sie auf den Filter um sicherzustellen, dass er richtig einrastet.

### So entfernen Sie den Abluftfilter:

1. Entriegeln Sie die Abluftfilterabdeckung, indem Sie sie in die mit dem Pfeil angegebene Richtung drehen. [18]
2. Nehmen Sie die Filterkassette heraus. [19]
3. Klopfen Sie die HEPA-Filterkassette unter Wasser vorsichtig aus. Verwenden Sie kein heißes Wasser und keine Reinigungsmittel. Entfernen Sie überschüssiges Wasser aus dem Filter und lassen Sie ihn vor erneuter Verwendung gründlich trocknen. [20]
4. Setzen Sie die Filterkassette im Staubsauger erst dann wieder ein, wenn sie völlig getrocknet ist.

**WICHTIG:** Das Gerät darf nicht ohne die Filter benutzt werden.

### Reinigung der AirVolution-Funktionseinheit

Dieser Staubsauger nutzt die neue, von Hoover patentierte, AirVolution-Schmutzabscheidetechnologie. Bei Bedarf kann die AirVolution-Schmutzabscheidereinheit aus dem Staubbehälter ausgebaut und gereinigt werden.

1. Durch anheben des Behältertragegriffs können Sie den Staubbehälter aus dem Staubsauger ausbauen. Ziehen Sie dazu den Staubbehälter aus dem Staubsaugerkörper nach oben. [14]
2. Platzieren Sie den Staubbehälter auf einer ebenen Fläche und lösen Sie die Clips an den Seiten des Staubbehälters. [21]
3. Trennen Sie den oberen Teil des Staubbehälters mit der Schmutzabscheidereinheit mit Hilfe der Behältergriffe vom unteren Teil. [22]
4. Wischen Sie den Staub mit einem Tuch von der Oberfläche der Schmutzabscheidereinheit ab. [23]

\*Geräteausstattung ist modellabhängig

\*\* Nur bei bestimmten Modellen, Düsen können modellabhängig sein



5. Montieren Sie wieder den oberen Teil des Staubbehälters. Drücken Sie die Clips wieder zurück, bis der Staubbehälter ganz geschlossen ist. **[24]**
6. Setzen Sie den Staubbehälter wieder in den Staubsauger. Zur Arretierung den Behältertragegriff nach unten drücken, bis er spürbar einrastet. Bei richtiger Montage rastet der Tragegriff bündig mit dem Oberteil des Staubsaugers zu ein.

### Entfernen einer Verstopfung

1. Füllstand des Staubbehälters prüfen. Ist er voll, siehe „Leeren des Staubbehälters“.
2. Falls der Staubbehälter leer ist und die Saugkraft dennoch schwach ist, folgendes prüfen:
  - A. Müssen die Filter gereinigt werden? Falls ja, siehe „Reinigung der waschbaren Filter“.
  - B. Prüfen Sie, ob der Saugtrakt an einer anderen Stelle verstopft ist. - Entfernen Sie Verstopfungen im Teleskoprohr oder dem flexiblen Saugschlauch mit einem Stab.
  - C. Prüfen Sie, ob die Filter korrekt eingebaut und die Filterdeckel richtig geschlossen sind.
  - D. Prüfen Sie, ob die Schmutzabscheidereinheit gereinigt werden muss. Weitere Informationen finden Sie unter „Reinigung der AirVolution-Funktionseinheit“.

### PRÜFLISTE ZUR FEHLERSUCHE

Bitte prüfen Sie die einzelnen Punkte dieser Prüfliste, bevor Sie sich bei einem Problem an Ihre zuständige Hoover-Kundendienststelle wenden.

- Ist die Stromversorgung in Ordnung? Bitte überprüfen Sie sie mit einem anderen elektrischen Gerät.
- Ist der Staubbehälter übervoll? Siehe „Wartung des Staubsaugers“.
- Ist der Filter blockiert? Siehe „Wartung des Staubsaugers“.
- Ist der Saugschlauch oder die Düse verstopft? Siehe „Verstopfung des Saugtrakts beheben“.
- Ist der Staubsauger überhitzt? Falls ja, dauere ca. 30 Minuten, bis der Überhitzungsschutz sich automatisch abschaltet.

### WICHTIGE INFORMATIONEN

#### Hoover Original-Ersatzteile und Verbrauchsartikel

Verwenden Sie stets Original-Ersatzteile von Hoover. Diese sind von Ihrem Hoover-Fachhändler oder direkt von Hoover erhältlich. Geben Sie bei der Bestellung von Ersatzteilen bitte stets die komplette Matrikelnummer (Plakette auf der Unterseite des Gerätes) Ihres Staubsaugermodells an.

#### Hoover-Service

Zur Wartung oder Reparatur Ihres Produkts wenden Sie sich bitte an Ihre zuständige Hoover-Kundendienststelle.

### Qualität

BSI ISO 9001

Die Hoover-Werke wurden unabhängig voneinander jeweils einer Qualitätsprüfung unterzogen. Unsere Produkte werden nach einem Qualitätsstandard hergestellt, der die Anforderungen von ISO 9001 erfüllt.

### Garantieerklärung

Die Garantiebestimmungen für dieses Gerät entsprechen den Richtlinien des Landes, in dem Sie das Gerät erworben haben. Weitere Einzelheiten dazu erhalten Sie von dem Händler, bei dem Sie das Gerät erworben haben. Bitte bewahren Sie den Kaufbeleg sorgfältig auf, denn er wird für eventuell auftretende Garantieansprüchen benötigt.

Änderungen vorbehalten.

## ISTRUZIONI PER UN USO SICURO

Questo apparecchio deve essere utilizzato esclusivamente in ambito domestico per interventi di pulizia, secondo le istruzioni riportate nel presente documento. Accertarsi di aver compreso le istruzioni prima di mettere in funzione l'apparecchio.

Non lasciare l'apparecchio collegato alla corrente. Prima di procedere alla pulizia dell'apparecchiatura o di effettuare qualsiasi operazione di manutenzione, spegnere sempre l'apparecchio e scollegare la spina.

Questo apparecchio può essere utilizzato da bambini di almeno 8 anni e da persone dalle ridotte capacità fisiche, sensoriali o mentali o mancanza di esperienza e conoscenza, solo se sono controllati od istruiti all'uso dell'apparecchio in modo sicuro e in piena consapevolezza del pericolo che potrebbe presentarsi. I bambini non possono giocare con l'apparecchio. Pulizia e manutenzione non possono essere eseguite da bambini senza sorveglianza da parte di una persona responsabile.

Se il cavo di alimentazione è danneggiato, interrompere immediatamente l'utilizzo dell'apparecchio. Per evitare pericoli, il cavo di alimentazione dovrà essere sostituito da un tecnico del servizio assistenza autorizzato HOOVER.

Tenere le mani, i piedi, i capi di abbigliamento non attillati e i capelli lontani dalle spazzole rotanti.

Utilizzare solo accessori o parti di consumo e di ricambio consigliati o forniti da HOOVER.

**Elettricità statica:** Alcuni tappeti possono produrre un piccolo accumulo di elettricità statica. Le cariche di elettricità statica non sono pericolose per la salute.

Non utilizzare l'apparecchio all'aperto, su superfici bagnate o per aspirare liquidi.

Non aspirare oggetti solidi o appuntiti, fiammiferi, ceneri calde,

mozziconi di sigaretta o similari.

Non vaporizzare o aspirare liquidi infiammabili, detergenti, aerosol o i loro vapori.

Non calpestare il cavo di alimentazione durante l'utilizzo dell'apparecchio o scollegare la spina dalla presa tirando il cavo di alimentazione.

Non continuare a utilizzare l'apparecchio in caso di presunto guasto.

**Assistenza HOOVER:** Per garantire un funzionamento sempre sicuro ed efficiente dell'apparecchiatura, si consiglia di fare eseguire eventuali interventi di assistenza o di riparazione dai tecnici del servizio assistenza autorizzato HOOVER.

Non calpestare il cavo di alimentazione o avvolgerlo intorno alle braccia o alle gambe mentre si usa l'apparecchio.

Non utilizzare l'apparecchio per l'igiene della persona o degli animali.

Non collocare l'apparecchio in una posizione più bassa rispetto alla propria quando si puliscono delle scale.

### Ambiente:

Il simbolo apposto sul prodotto indica che lo stesso non può essere smaltito come i normali rifiuti domestici, bensì deve essere portato al punto di raccolta o al centro di riciclaggio delle apparecchiature elettriche ed elettroniche più vicino. Lo smaltimento deve essere eseguito in conformità alle normative locali vigenti per la salvaguardia dell'ambiente e lo smaltimento dei rifiuti. Per ulteriori informazioni sul trattamento, il recupero e il riciclaggio di questo prodotto, contattare l'unità territoriale competente per il servizio di smaltimento o il negozio in cui il prodotto è stato acquistato.



**CE** Questo prodotto è conforme alle Direttive Europee 2006/95/EC, 2004/108/EC e 2011/65/EC.

HOOVER Limited, Pentrebach, Merthyr Tydfil, Mid Glamorgan, CF48 4TU, UK

## DESCRIZIONE DELL'ASPIRAPOLVERE

- A. Corpo principale dell'apparecchio
- B. Impugnatura da trasporto
- C. Contenitore raccogli-polvere
- D. Impugnatura e dispositivo di blocco del contenitore raccogli-polvere
- E. Pulsante di accensione/spengimento
- F. Pulsante di riavvolgimento del cavo
- G. Sportello del filtro
- H. Dispositivo di blocco dello sportello del filtro
- I. Unità Filtro Pre-Motore
- J. Sportello del filtro in uscita
- K. Filtro in uscita
- L. Stazionamento
- M. Impugnatura
- N. Dispositivo regolazione forza aspirante
- O. Tubo telescopico
- P. Dispositivo di controllo del tubo telescopico
- Q. Spazzola tappeti e pavimenti **(GP)\*\***
  - Q1. Spazzola per tappeti **(CA)\*\***
  - Q2. Spazzola per pavimenti duri **(HF)\*\***
- R. Selettore modalità tappeti /pavimenti della spazzola\*\*
- S. Tubo flessibile
- T1. Bocchetta per fessure\*
- T2. Spazzola a pennello\*
- U. Mini turbospazzola per rimuovere i peli di animali domestici\*
- V. Mini turbospazzola per rimuovere gli allergeni\*
- W. Spazzola Grand Turbo\*
- X. Spazzola Parquet \*

## MONTAGGIO DELL'APPARECCHIO

Disimballare tutti i componenti.

1. Collegare il tubo flessibile al corpo principale dell'apparecchio. **[2]**
2. Collegare l'estremità superiore del tubo telescopico all'impugnatura **[3]**.
3. Collegare l'estremità inferiore del tubo telescopico alla spazzola per tappeti e pavimenti. **[4]**

## UTILIZZO DELL'APPARECCHIO

1. Estrarre il cavo di alimentazione e inserirlo in una presa di corrente. Non tirare il cavo oltre l'indicatore rosso. **[5]**
2. Regolare il tubo telescopico all'altezza desiderata sollevando o abbassando l'impugnatura centrale. **[6]**
3. Selezionare il tipo di superficie da pulire premendo il pedale sulla spazzola. **[7]**
  - Pavimento – Le setole si abbassano per proteggere il pavimento.
  - Tappeto/moquette – Le setole si sollevano per garantire una pulizia più in profondità.
4. Accendere l'apparecchio premendo il pulsante di accensione/spengimento sul corpo principale dell'aspirapolvere. **[8]**
5. Regolare l'intensità di aspirazione facendo scorrere il dispositivo di regolazione al livello desiderato. **[9]**
6. Dopo l'uso, spegnere l'apparecchio premendo il pulsante di accensione/spengimento. Staccare la spina e premere il pulsante di riavvolgimento del cavo per riavvolgere il cavo di alimentazione. **[10]**
7. Per riporre l'apparecchio, regolare il tubo telescopico all'altezza inferiore e collocare la spazzola in posizione di parcheggio sul corpo principale dell'apparecchio. **[11]**

## ACCESSORI

Per ottenere prestazioni ottimali ed efficienza energetica <sup>#1</sup>, è consigliato usare le spazzole appropriate per le principali operazioni di pulizia.

Queste spazzole sono indicate nel diagramma con le lettere **GP**, **HF** o **CA**.

La spazzola di tipo **GP** è adatta per pulire sia tappeti che pavimenti duri.

La spazzola di tipo **HF** è adatta solo per la pulizia dei pavimenti duri.

La spazzola di tipo **CA** è adatta solo per la pulizia dei tappeti..

Le altre spazzole sono accessorie per operazioni di pulizia speciale e sono raccomandate solo per usi occasionali.

È importante notare che questo aspirapolvere è provvisto di Etichetta Energetica conformemente alla Normativa Europea (EU) 665/2013.

Se l'etichetta riporta a sinistra un cerchio rosso di divieto che ricopre il simbolo del tappeto, significa che l'aspirapolvere non è adatto per la pulizia dei tappeti.

Se l'etichetta riporta a destra un cerchio rosso di divieto che ricopre il simbolo di pavimenti duri, significa che l'aspirapolvere non è adatto per la pulizia dei pavimenti duri..

**#1 NOTA:** Capacità di raccolta della polvere sui tappeti, capacità di raccolta della polvere sui pavimenti duri ed efficienza energetica conformi alle Normative della Commissione (EU) 665/2013 e (EU) 666/2013.

\*Solo su alcuni modelli

\*\* Solo su alcuni modelli, le spazzole possono variare secondo il modello

Vedere le specifiche sull'etichetta della confezione per conoscere gli accessori inclusi per i singoli modelli. Tutti gli accessori possono essere acquistati separatamente dalla Hoover. (Vedere la sezione Parti di ricambio e materiali di consumo Hoover).

Tutti gli accessori devono essere inseriti nell'estremità inferiore del tubo flessibile o del tubo telescopico.

**Bocchetta per fessure** – per angoli e punti difficili da raggiungere. [12]

**Spazzola a pennello** – per librerie, cornici, tastiere e altre superfici delicate. Per estendere le setole, premere il pulsante posto sul corpo dell'accessorio. [13]

**Spazzola Parquet\*** – per parquet e pavimenti delicati. [1X]

**Spazzola Grand Turbo\*** – per una pulizia profonda di tappeti e moquette. [1W]

**Mini turbospazzola per rimuovere i peli di animali domestici\*** - utilizzare la mini turbospazzola per la pulizia profonda di superfici tessili e imbottiti e per altre aree difficili. Particolarmente adatta per rimuovere i peli degli animali domestici. [1U]

**Mini turbospazzola per rimuovere gli allergeni\*** – Utilizzare la mini turbospazzola per la pulizia profonda di superfici tessili, imbottiti e altre aree difficili da pulire in cui si annidano acari e batteri. [1V]

**IMPORTANTE:** non utilizzare la turbospazzola e la mini turbospazzola su pellicce e su tappeti a frange o con pelo di oltre 15 mm. Non tenere ferma la spazzola sul tappeto con il rullo in rotazione.

## MANUTENZIONE DELL'APPARECCHIO

### Svuotamento del contenitore raccogli polvere

Quando la polvere raggiunge l'indicatore di livello massimo, svuotare il contenitore raccogli polvere.

**IMPORTANTE:** per ottenere prestazioni ottimali, non consentire che la polvere si accumuli oltre il livello massimo.

1. Per rimuovere il contenitore raccogli polvere dal corpo principale dell'apparecchio sollevare il dispositivo di blocco centrale e tirare verso l'alto. [14]
2. Con una mano tenere il contenitore raccogli polvere sopra un cestino e con l'altra sbloccare il gancio del contenitore raccogli polvere per aprire lo sportello e svuotarne il contenuto. [15]
3. Chiudere lo sportello contenitore raccogli polvere e riposizionarlo sul corpo principale dell'apparecchio. Per bloccarlo in posizione, spingere la maniglia di trasporto del contenitore verso il basso finché il dispositivo di blocco non si aggancia al corpo principale dell'apparecchio. Una volta posizionata correttamente, la maniglia di trasporto risulterà allineata alla parte superiore dell'apparecchio.

### Pulizia dei filtri lavabili

L'apparecchio è dotato di un'unità composta da un microfiltro in spugna e da un filtro Hepa. Per mantenere prestazioni ottimali, rimuovere i filtri e picchiettarli contro il lato del cestino per eliminare la polvere. I filtri devono essere lavati ogni 3 mesi oppure ogni volta che la polvere in

essi contenuta risulti eccessiva.

**IMPORTANTE:** controllare i filtri sistematicamente e sottoporli a regolare manutenzione.

**IMPORTANTE:** prima di utilizzare i filtri, accertarsi sempre che siano asciutti.

### Per accedere al filtro Pre-motore:

**NOTA:** accertarsi che la maniglia di trasporto si trovi in posizione abbassata prima di aprire lo sportello del filtro.

1. Sbloccare lo sportello del filtro tirando verso l'alto il dispositivo di blocco. Aprire lo sportello del filtro. [16]
2. Rimuovere l'unità filtro premendo verso il basso il gancio di blocco per rilasciarla. L'unità filtro fuoriesce. Far scorrere verso l'esterno l'unità filtro. [17]
3. Aprire il contenitore dell'unità filtro.
4. Rimuovere il micro filtro HEPA dall'apparecchio e lavarlo a mano con acqua calda. Non utilizzare acqua bollente o detersivi. Eliminare l'acqua in eccesso dai filtri con un panno asciutto e lasciarli asciugare completamente prima di riutilizzarli. [20]
5. Riasssemblare l'unità filtro una volta asciugata e rimontarla sull'apparecchio. Premere la parte superiore del filtro per accertarsi che venga agganciato correttamente in posizione.

### Per accedere al filtro in uscita:

1. Svitare lo sportello del filtro in uscita posizionato sulla ruota del prodotto facendolo ruotare nella direzione indicata dalla freccia. [18]
2. Rimuovere l'unità filtro dal suo alloggiamento. [19]
3. Picchiettare e lavare l'unità filtro HEPA. Non utilizzare acqua bollente o detersivi. Eliminare l'acqua in eccesso dai filtri con un panno asciutto e lasciarli asciugare completamente prima di riutilizzarli. [20]
4. Riasssemblare l'unità filtro una volta asciugata e rimontarla sull'apparecchio.

**IMPORTANTE:** non utilizzare il prodotto senza aver prima montato il filtro.

### Pulizia dell'unità di separazione Airvolution

Questo apparecchio utilizza il sistema di separazione Airvolution, un sistema unico utilizzato in esclusiva da Hoover. Se necessario per la pulizia è possibile rimuovere l'unità di separazione Airvolution dal contenitore raccogli polvere.

1. Rilasciare la maniglia di trasporto del contenitore raccogli polvere per sganciarlo quindi rimuovere il contenitore tirandolo verso l'alto. [14]
2. Aprire il contenitore raccogli polvere sbloccando i ganci laterali. [21]
3. Utilizzando l'apposita maniglia, sollevare la sezione superiore contenente l'unità di separazione dalla sezione inferiore. [22]
4. Utilizzare un panno per rimuovere la polvere in eccesso dalla superficie dell'unità. [23]
5. Riasssemblare la sezione superiore del contenitore raccogli polvere. Spingere i ganci laterali verso il basso per chiudere il contenitore raccogli polvere. [24]
6. Rimontare il contenitore raccogli polvere sull'apparecchio. Per bloccarlo in posizione, spingere la maniglia di trasporto del contenitore verso il basso finché il dispositivo di blocco non si aggancia al corpo principale

dell'apparecchio. Una volta posizionata correttamente, la maniglia di trasporto risulterà allineata alla parte superiore dell'apparecchio.

### Rimozione di un'ostruzione

1. Controllare che il contenitore raccogli-polvere non sia pieno. Se è pieno, vedere "Svuotamento del contenitore raccogli-polvere".
2. Se il contenitore raccogli-polvere non è pieno ma l'aspirazione è ancora scarsa:
  - A. Potrebbe essere necessario pulire i filtri. In questo caso, vedere la sezione "Pulizia dei filtri lavabili".
  - B. Controllare che non vi siano altre ostruzioni nel sistema. - Utilizzare un'asticella o un bastoncino per rimuovere eventuali ostruzioni dal tubo telescopico o dal tubo flessibile.
  - C. Verificare che il filtro pre-motore sia installato e lo sportello del filtro sia chiuso.
  - D. Verificare se l'unità di separazione debba essere pulita. Fare riferimento al paragrafo "Pulizia dell'unità di separazione".

### CHECKLIST UTENTE

In caso di problemi, completare questa semplice checklist utente prima di chiamare il centro assistenza Hoover.

- La presa elettrica a cui è collegato l'apparecchio è funzionante? Controllare collegando un altro elettrodomestico.
- Il contenitore raccogli-polvere è pieno? Vedere "Manutenzione dell'apparecchio".
- Il filtro è ostruito? Vedere "Manutenzione dell'apparecchio".
- Il tubo flessibile o la bocchetta sono ostruiti? Vedere "Rimozione di un'ostruzione dal sistema".
- L'aspirapolvere si è surriscaldato? In questo caso, il reset automatico richiede circa 30 minuti.

### INFORMAZIONI IMPORTANTI

#### Parti di ricambio e di consumo Hoover

Utilizzare sempre parti di ricambio originali Hoover, che è possibile acquistare dal distributore locale Hoover o direttamente dalla Hoover. Quando si ordinano delle parti di ricambio, ricordarsi sempre di fornire il numero di modello dell'apparecchio utilizzato.

Pre-Motor Filter	S112	35601238
Purefilt Exhaust Filter	T106	35601238
Complete Flexible Hose	D122	35601055
Carpet & Floor Extra Nozzle	G202EE	35601595
Carpet & Floor Smart Nozzle	G217SE	35601610
Hard Floor Extra Nozzle	G207EE	35601600
Hard Floor Smart Nozzle	G206SE	35601599

Carpet Extra Nozzle	G210EE	35601603
Parquet Extra Nozzle	G90PCB	35600934
Mini Turbo Nozzle	J32	35600817
Turbo Nozzle	J57	35601239

### Assistenza Hoover

Per richiedere assistenza in qualsiasi momento, contattare il centro assistenza Hoover più vicino.

### Qualità

BSI ISO 9001

La qualità degli stabilimenti Hoover è stata sottoposta a valutazione indipendente. I nostri prodotti vengono realizzati mediante un sistema di qualità che soddisfa i requisiti ISO 9001.

### Regolamento per la garanzia

Le condizioni di garanzia relative a questo apparecchio sono definite dal rappresentate Hoover nel Paese di vendita. Per conoscere in dettaglio le condizioni, rivolgersi al distributore Hoover presso il quale l'apparecchio è stato acquistato. Per ogni contestazione ai sensi dei termini della garanzia, è necessario mostrare la fattura o un documento di acquisto equipollente.

Queste condizioni potrebbero venire modificate senza obbligo di preavviso.



## INSTRUCTIES VOOR VEILIG GEBRUIK

Dit toestel mag enkel gebruikt worden voor reiniging in het huis, zoals beschreven in deze gebruikersgids. Zorg ervoor dat u de instructies volledig begrijpt voordat u het apparaat in gebruik neemt.

Laat het toestel nooit ingeplugd. Schakel het toestel altijd uit en verwijder de plug uit het stopcontact na gebruik, of voor het reinigen van het toestel of elke onderhoudshandeling.

Dit toestel kan gebruikt worden door kinderen vanaf 8 jaar en ouder en personen met verminderde lichamelijke, zintuiglijke of mentale capaciteiten of een gebrek aan ervaring of kennis indien ze toezicht of onderricht gehad hebben betreffende het veilig gebruik van het toestel en het begrip van de gevaren in kwestie. Kinderen mogen niet met het toestel spelen. Reinigings- en gebruiksonderhoud mag niet uitgevoerd worden door kinderen zonder toezicht.

Indien het stroomsnoer beschadigd is, onmiddellijk stoppen met het toestel te gebruiken. Om veiligheidsgevaar te vermijden, mag enkel een erkende HOOVER dienstingenieur de stroomkabel vervangen.

Houd hand, voeten, losse kleding en haar uit de buurt van roterende borstels.

Gebruik enkel verlengstukken, verbruiksartikelen of reserveonderdelen aanbevolen of geleverd door HOOVER.

**Statische elektriciteit:** Sommige tapijten kunnen een kleine opbouw van statische elektriciteit veroorzaken. Ontladingen van statische elektriciteit zijn onschadelijk voor uw gezondheid.

Gebruik je toestel nooit buiten of op natte oppervlaktes of om nattigheid op te pikken.

Raap geen harde of scherpe objecten op, lucifers, hete as, sigaret of andere gelijkaardige items.

Spuit niet met ontvlambare vloeistoffen op, reinigingsvloeistoffen, aerosols of hun dampen en raap ze niet op.

Loop niet over het stroomsnoer wanneer je het toestel gebruikt of de plug niet verwijderen door aan het stroomsnoer te trekken.

Blijf dit toestel niet gebruiken wanneer het defect blijkt.

**HOOVER dienstverlening:** Om de blijvende veilige en efficiënte werking van dit toestel te verzekeren, bevelen we aan dat alle herstellingen uitgevoerd worden door een erkende HOOVER dienstingenieur.

Niet op het snoer staan op of het snoer rond armen of benen winden terwijl je het toestel gebruikt.

Gebruik het toestel niet om dieren of mensen te reinigen.

Plaats het toestel niet boven je tijdens het reinigen van de trap.

### Het milieu

Het symbool op dit toestel duidt aan dat dit toestel niet mag behandeld worden als huishoudelijk afval. In de plaats daarvan moet het overhandigd worden aan het geschikte verzamelpunt voor de recyclage van elektrische en elektronische uitrusting. U moet het toestel weggooien in overeenstemming met de lokale voorschriften voor afvalverwerking. Voor meer gedetailleerde informatie over behandeling, herstel en recyclage van dit toestel, gelieve je lokale stadskantoor te contacteren, je dienst voor huishouden en afvalverwerking of de winkel waar je het toestel kocht.



 Dit toestel voldoet aan de Europese Richtlijnen 2006/95/EC, 2004/108/EC en 2011/65/EU.

HOOVER Limited, Pentrebach, Merthyr Tydfil, Mid Glamorgan, CF48 4TU, UK

## ALLES OVER UW STOFZUIGER

- A. De stofzuiger zelf
- B. Draaghendel
- C. Stofreservoir
- D. Handvat en vergrendeling stofreservoir
- E. Aan/uit-schakelaar
- F. Knop oprolmechanisme
- G. Deur filter
- H. Vergrendeling deur filter
- I. Pre-motor filterpakket
- J. Klep van uitblaasfilter
- K. Uitlaatfilter
- L. Parkeerstand
- M. Handvat
- N. Zuigbediening
- O. Telescopische buis
- P. Regelaar voor telescopische buis
- Q. Tapijt- en vloermondstuk (GP)\*
  - Q1. Tapijt Mondstuk (CA)\*\*
  - Q2. Mondstuk voor harde vloer (HF)\*\*
- R. Oppervlakteselectieknop\*\*
- S. Slang
- T1. Kierenmondstuk\*
- T2. Stofborstel\*
- U. Miniturbozuigmond voor dierenharen\*
- V. Miniturbozuigmond voor allergene stoffen\*
- W. Grand Turbozuigmond\*
- X. Zuigmond voor parket\*

## DE STOFZUIGER MONTEREN

Neem alle onderdelen uit de verpakking.

1. Steek de slang in de stofzuiger en klik deze erin vast. Verwijderen. [2]
2. Sluit de bovenkant van de buis aan op het navigatorhandvat [3].
3. Sluit de onderkant van de buis aan op de zuigmond voor tapijten en vloeren. [4]

\*Alleen bepaalde modellen

\*\* Alleen bepaalde modellen, mondstukken kunnen variëren afhankelijk van het model

## DE STOFZUIGER GEBRUIKEN

1. Trek het netsnoer uit de stofzuiger en steek de stekker in het stopcontact. Trek het snoer niet verder uit dan de rode markering. [5]
2. Stel de telescopische buis in op de gewenste hoogte door het handvat vast te houden en de middelste handgreep omhoog of omlaag te brengen. [6]
3. Selecteer het type te reinigen oppervlak met het pedaal op het mondstuk. [7]
  - Harde vloer – De borstels wijzen naar beneden en beschermen zo de vloer.
  - Tapijt – De borstels zijn ingetrokken om zo diep mogelijk te kunnen zuigen.
4. Zet de stofzuiger aan door te drukken op de aan/uit-schakelaar op de stofzuiger zelf. [8]
5. Zet de zuigkrachtregelaar op het gewenste niveau. [9]
6. Schakel de stofzuiger na gebruik uit door op de aan/uit-schakelaar te drukken. Trek de stekker uit het stopcontact en druk op de knop van de oprolautomaat. Nu rolt het netsnoer zichzelf weer op in de stofzuiger. [10]
7. Berg uw stofzuiger als volgt op: zet de telescopische buis in de laagste stand en bevestig de zuigmond aan de stofzuiger in de parkeerstand [11]

## ACCESSOIRES

Voor optimaal functioneren en energie efficiëntie<sup>#1</sup> is het aan te bevelen dat de juiste mondstukken voor de voornaamste schoonmaak taken worden gebruikt.

Deze mondstukken worden in de diagrammen afgebeeld met de letters **GP**, **HF** of **CA**.

Een **GP** type mondstuk kan gebruikt worden voor schoonmaak van zowel tapijt als harde vloer.

Een **HF** type mondstuk is enkel geschikt voor gebruik op harde vloer.

Een **CA** type mondstuk is enkel geschikt voor gebruik op tapijt.

De andere mondstukken zijn accessoires voor gespecialiseerde schoonmaak taken en worden alleen aanbevolen voor incidenteel gebruik.

Het is belangrijk om op te merken dat deze stofzuiger een Energielabel heeft zoals wordt vereist door Europese Regelgeving (EU) 665/2013.

Als er links op het label over het tapijt symbool een rode cirkel van verbod staat, betekent dit dat de stofzuiger niet geschikt is voor gebruik op tapijten.

Als er rechts op het label over het harde vloer symbool een rode cirkel van verbod staat, betekent dit dat de stofzuiger niet geschikt is voor gebruik op harde vloeren.

<sup>#1</sup> **OPM.:** Stofopname capaciteit tapijt, stofopname capaciteit harde vloer en energie efficiëntie in overeenstemming met Commissie Regelgeving (EU) 665/2013 en (EU) 666/2013.

Zie de specificaties van het model op het verpakkingsetiket voor de accessoires van de afzonderlijke modellen. Alle accessoires zijn afzonderlijk verkrijgbaar bij Hoover. (Zie de sectie 'Originele reserveonderdelen en toebehoren van Hoover').

Alle accessoires kunnen op het uiteinde van de slang of op het uiteinde van de telescopische buis worden geplaatst.

**Kierenmondstuk** – Voor hoeken en moeilijk bereikbare plaatsen. [12]

**Stofborstel** – Voor boekenrekken, kozijnen, toetsenborden en andere kwetsbare plekken. Druk op de knop op het hulpstuk om de borstels uit te schuiven. [13]

**Zuigmond voor parket\*** – Voor parketvloeren en andere kwetsbare vloeren. [1X]

**Grand Turbozuigmond\*** – Gebruik het turbomondstuk voor de grondige reiniging van tapijten. [1W]

**Miniturbozuigmond voor dierenharen\*** – Gebruik het miniturbomondstuk voor trappen of voor het grondig reinigen van textielproducten en andere moeilijk schoon te maken plekken. Vooral geschikt voor het verwijderen van haren van huisdieren. [1U]

**Miniturbozuigmond voor allergene stoffen\*** – Gebruik het miniturbomondstuk voor trappen of voor het grondig reinigen van textielproducten en andere moeilijk schoon te maken plekken; bijzonder geschikt om huisstofmijt te verwijderen. [1V]

**BELANGRIJK:** Gebruik het turbomondstuk en het mini-turbomondstuk niet op tapijten met lange franjes, op dierenhuiden of op tapijten dikker dan 15 mm. Houd het mondstuk niet stil wanneer de borstel draait.

## ONDERHOUD STOFZUIGER

### Het stofreservoir legen

Leeg het stofreservoir zodra het stof de markering 'max. niveau' in het reservoir bereikt.

**BELANGRIJK:** Zorg ervoor dat het stof niet boven het aangegeven maximale niveau uitkomt als u wilt dat uw stofzuiger optimaal presteert.

1. Breng de middelste vergrendeling van het stofreservoir omhoog om het reservoir los te koppelen van de stofzuiger en trek het reservoir omhoog uit de stofzuiger. [14]
2. Houd het stofreservoir met uw ene hand boven een afvalbak en trek met de andere hand aan de ontgrendeling om de deur te openen en het reservoir te legen. [15]
3. Sluit de klep van het stofreservoir en plaats hem terug op de stofzuiger. Om het te vergrendelen duwt u de draaggreep van het reservoir omlaag totdat de vergrendeling wordt aangesloten op de stofzuiger. Wanneer het reservoir goed zit, is de draaggreep op gelijke hoogte met de bovenkant van de stofzuiger.

### De wasbare filters reinigen

De stofzuiger is voorzien van twee blauw hepa-filterelementen. Voor optimale reinigingsprestaties moet u de filters regelmatig verwijderen en uitkloppen tegen de zijkant van een vuilnisbak, om zo het stof eruit te verwijderen. De filters moeten om de drie maanden worden uitgespoeld, maar ook wanneer het filter te veel stof bevat.

**BELANGRIJK:** Controleer en reinig de filters regelmatig.

**BELANGRIJK:** Zorg er voor gebruik altijd voor dat het filterelement helemaal droog is.

### Om bij de pre-motor filter te komen:

**OPM.:** Controleer of de draaggreep omlaag is voordat u de filterdeur opent.

1. Ontgrendel de filterdeur door de vergrendeling omhoog te trekken. Open de filterdeur. [16]

\*Alleen bepaalde modellen

\*\* Alleen bepaalde modellen, mondstukken kunnen variëren afhankelijk van het model

2. Verwijder het filterelement door de vergrendeling omlaag te duwen. Het filterelement komt omhoog. Schuif het filterelement uit de stofzuiger. [17]
3. Ontgrendel het frame van het filterelement.
4. Neem het HEPA microfilter uit het frame en was het microfilter op de hand in warm water. Gebruik geen heet water of schoonmaakmiddelen. Verwijder het overtollige water uit het filter en laat hem helemaal opdrogen alvorens hem opnieuw te gebruiken. [20]
5. Monteer het filterpakket weer als deze volledig droog is en plaats hem terug in de stofzuiger. Druk op de bovenkant van het filter om het weer op zijn plaats te klikken.

### Voor toegang tot het uitlaatfilter:

1. Ontgrendel het uitlaatfilter door de deur in de richting van de pijl te draaien. [18]
2. Verwijder het filterelement uit de uitsparing. [19]
3. Klop de blauwe Hepa-filtereenheid voorzichtig uit en was hem. Gebruik geen heet water of schoonmaakmiddelen. Verwijder het overtollige water uit het filter en laat hem helemaal opdrogen alvorens hem opnieuw te gebruiken. [20]
4. Monteer het filterpakket weer als het volledig droog is en plaats het terug in de stofzuiger.

**BELANGRIJK:** Gebruik het product niet zonder filterpakket.

### Het reinigen van de Airvolution separatie-eenheid

Deze stofzuiger is uitgerust met een Airvolution separatie-eenheid die uniek is voor Hoover. Indien nodig kan de Airvolution separatie-eenheid losgemaakt worden van het stofreservoir en kan gereinigd worden.

1. Verwijder het stofreservoir uit de stofzuiger door de draaggreep van het reservoir los te koppelen om het stofreservoir uit de stofzuiger te kunnen halen. Trek het reservoir omhoog uit de stofzuiger. [14]
2. Zet het stofreservoir op een vlakke ondergrond en maak de clips aan beide zijden van het stofreservoir los. [21]
3. Til met het handvat van het stofreservoir het bovenste gedeelte van het stofreservoir met de separatie-eenheid los van het onderste gedeelte. [22]
4. Verwijder met een doek het overtollige stof van het oppervlak van de separatie-eenheid. [23]
5. Plaats het bovenste gedeelte terug op het stofreservoir. Duw de clips terug om het stofreservoir volledig af te sluiten. [24]
6. Plaats het stofreservoir terug op de stofzuiger. Om het te vergrendelen duwt u de draaggreep van het reservoir omlaag totdat de vergrendeling wordt aangesloten op de stofzuiger. Wanneer het reservoir goed zit, is de draaggreep op gelijke hoogte met de bovenkant van de stofzuiger.

### Een verstopping verwijderen

1. Controleer of het stofreservoir vol is. Zo ja, zie 'Het stofreservoir legen'.
2. Wanneer het stofreservoir leeg is, maar de zuigkracht nog steeds niet voldoende is:
  - A. Moeten de filters worden gereinigd? Zo ja, zie 'Wasbare filters reinigen'.
  - B. Controleer of niets het systeem blokkeert - Gebruik een staaf of stok om eventuele

- verstoppingen uit de verlengbuis of zuigslang te verwijderen.
- C. Controleer of het pre-motorfilter is geplaatst en de filterdeur is gesloten.
- D. Controleer of de separatie-eenheid gereinigd moet worden. Zie 'Reinigen van de separatie-eenheid'.

### CHECKLIST GEBRUIKER

Mocht u problemen ondervinden met dit product, loop dan deze eenvoudige checklist na voordat u uw Hoover dealer belt.

- Krijgt de stofzuiger wel stroom? Controleer dit met een ander elektrisch toestel.
- Is het stofreservoir vol? Zie 'Onderhoud stofzuiger'.
- Is de filter verstopt? Zie 'Onderhoud stofzuiger'.
- Is de slang of de zuigmond geblokkeerd? Zie 'Verstoppingen uit het systeem verwijderen'.
- Is de stofzuiger oververhit? Zo ja, dan duurt het ongeveer dertig minuten voordat het toestel weer gereed is voor gebruik.

### BELANGRIJKE INFORMATIE

#### Originele reserveonderdelen en toebehoren van Hoover

Gebruik uitsluitend originele reserveonderdelen van Hoover. Deze zijn verkrijgbaar bij uw Hoover Dealer. Als u onderdelen bestelt, vermeld dan altijd het modelnummer.

Pre-Motor Filter	S112	35601238
Purefilt Exhaust Filter	T106	35601238
Complete Flexible Hose	D122	35601055
Carpet & Floor Extra Nozzle	G202EE	35601595
Carpet & Floor Smart Nozzle	G217SE	35601610
Hard Floor Extra Nozzle	G207EE	35601600
Hard Floor Smart Nozzle	G206SE	35601599
Carpet Extra Nozzle	G210EE	35601603
Parquet Extra Nozzle	G90PCB	35600934
Mini Turbo Nozzle	J32	35600817
Turbo Nozzle	J57	35601239

#### Hoover Service

Mocht u gebruik willen maken van de service, neem dan contact op met uw Hoover dealer.

#### Kwaliteit

De fabrieken van Hoover zijn op onafhankelijke wijze getest op kwaliteit. Onze producten worden vervaardigd aan de hand van een kwaliteitssysteem dat voldoet aan de vereisten van ISO 9001.

#### Uw garantie

De garantievoorwaarden voor dit toestel worden bepaald door onze vertegenwoordiger in het land waar het toestel wordt verkocht. Bijzonderheden omtrent deze voorwaarden zijn verkrijgbaar bij de dealer waar u het toestel hebt gekocht. Wanneer u aanspraak wilt maken op deze garantie, dan moet u het verkoop- of ontvangstbewijs voorleggen.

Wijzigingen zijn zonder voorafgaande kennisgeving mogelijk.

## INSTRUÇÕES PARA UMA UTILIZAÇÃO SEGURA

Este aparelho só deve ser utilizado para limpeza doméstica, conforme descrito neste guia do utilizador. Certifique-se de que este manual é totalmente compreendido antes de utilizar o aparelho.

Não deixe o aparelho ligado. Desligue sempre o aparelho e retire a ficha da tomada após a utilização ou antes de o limpar ou executar qualquer tarefa de manutenção.

Este aparelho pode ser utilizado por crianças com idade igual ou superior a 8 anos e por pessoas com capacidades mentais, sensoriais e físicas reduzidas ou sem experiência e conhecimento caso lhes sejam fornecidas instruções e supervisão relativas à utilização do aparelho de modo seguro e caso compreendam os perigos envolvidos. As crianças não devem brincar com o aparelho. A limpeza e a manutenção não devem ser efectuada por crianças sem supervisão.

Se o cabo de alimentação estiver danificado deixe de utilizar o aparelho imediatamente. Para evitar um perigo para a segurança, deve ser um técnico de assistência Hoover a substituir o cabo de alimentação.

Mantenha as mãos, os pés, as roupas largas e o cabelo longe das escovas rotativas.

Utilize exclusivamente acessórios, peças sobressalentes ou consumíveis recomendados ou fornecidos pela HOOVER.

**Electricidade estática:** Algumas alcatifas podem provocar uma pequena acumulação de electricidade estática. A descarga de electricidade estática não constitui qualquer perigo para a saúde.

Não utilize o aparelho no exterior, em superfícies húmidas ou para aspirar líquidos.

Não aspire objectos duros ou afiados, fósforos, cinzas

quentes, pontas de cigarro ou outros itens semelhantes.

Não pulverize nem aspire líquidos inflamáveis, líquidos de limpeza, aerossóis ou respectivos vapores.

Não passe por cima do cabo de alimentação ao utilizar o aspirador nem retire a ficha puxando pelo cabo de alimentação.

Não continue a utilizar o aparelho se este parecer defeituoso.

**Assistência HOOVER:** Para assegurar o funcionamento seguro e eficiente deste aparelho, recomendamos que todas as intervenções de assistência ou reparação sejam efectuadas apenas por um técnico de assistência autorizado da Hoover.

Não permaneça em cima do cabo de alimentação nem o enrole à volta das pernas ou braços ao utilizar o aparelho.

Não utilize o aparelho para limpar pessoas ou animais.

Não posicione o aparelho num nível superior aquele em que se encontra ao limpar escadas.

### Ambiente

O símbolo no aparelho indica que este não pode ser tratado como resíduo doméstico. Pelo contrário, deve ser encaminhado para o ponto de recolha aplicável para reciclagem de equipamento eléctrico e electrónico. A eliminação deve ser realizada em conformidade com as leis ambientais locais relativas à eliminação de resíduos. Para obter informações mais detalhadas sobre o tratamento, recuperação e reciclagem deste produto, contacte as autoridades locais, o serviço de eliminação de resíduos domésticos ou a loja onde adquiriu o produto.



**CE** Este aparelho encontra-se em conformidade com as Directivas Europeias 2006/95/CE, 2004/108/CE e 2011/65/UE.

HOOVER Limited, Pentrebach, Merthyr Tydfil, Mid Glamorgan, CF48 4TU, UK



## APRESENTAÇÃO DO ASPIRADOR

- A. Corpo principal do aspirador
- B. Manípulo de transporte
- C. Depósito de pó
- D. Manípulo e trinco do depósito de pó
- E. Botão ligar/desligar
- F. Botão de recolha do cabo
- G. Porta do filtro
- H. Trinco da porta do filtro
- I. Unidade de filtro do pré-motor
- J. Porta do Filtro de Exaustão
- K. Filtro do escape
- L. Ranhura de Arrumação
- M. Manípulo
- N. Controlo de aspiração
- O. Tubo Telescópico
- P. Adaptador do tubo telescópico
- Q. Escova para pavimentos e alcatifas **(GP)\*\***
  - Q1. Escova para alcatifas **(CA)\*\***
  - Q2. Escova para pavimentos duros **(HF)\*\***
- R. Selector de Superfícies\*\*
- S. Tubo flexível
- T1. Acessório para fendas\*
- T2. Escova para pó\*
- U. Mini escova turbo para remover pêlos de animais\*
- V. Mini escova turbo para remoção de alérgenos\*
- W. Escova grande turbo\*
- X. Escova para parquet\*

## MONTAGEM DO ASPIRADOR

Retire todos os componentes da embalagem.

1. Ligue o tubo flexível ao corpo principal do aspirador **[2]**
2. Ligue a extremidade superior ao manípulo do navegador **[3]**.
3. Ligue a extremidade inferior do tubo ao bocal para pisos e alcatifas. **[4]**

## UTILIZAÇÃO DO ASPIRADOR

1. Extraia o cabo de alimentação e ligue-o na fonte de alimentação. Não puxe o cabo para além do marcador vermelho. **[5]**
2. Regule o tubo telescópico para o comprimento pretendido segurando o punho e movendo o suporte manual para cima e para baixo. **[6]**
3. Selecciona o tipo de superfície a limpar pressionando o pedal do bocal. **[7]**
  - Soalhos – Baixar as escovas para proteger o soalho.
  - Alcatifas – Levantar as escovas para uma limpeza em profundidade.
4. Ligue o aspirador pressionando o botão ligar/desligar no corpo principal do aspirador. **[8]**
5. Regule a aspiração fazendo deslizar o regulador de aspiração para o nível desejado. **[9]**
6. Desligue o aspirador no final da utilização pressionando o botão ligar/desligar. Desligue o cabo e prima o botão de recolha respectivo para enrolar o cabo de novo no aspirador. **[10]**
7. Para guardar o seu aspirador, regule o tubo telescópico para o menor comprimento e arrume a escova na posição de parqueamento no corpo principal do seu aspirador. **[11]**

## ACESSÓRIOS

Para obter o melhor desempenho e eficiência energética<sup>#1</sup> é recomendada a utilização das escovas correctas para as principais operações de limpeza. As escovas estão indicadas nos diagramas pelas letras **GP**, **HF** ou **CA**.

Uma escova do tipo **GP** pode ser utilizada para limpar alcatifas e pisos duros.

Uma escova do tipo **HF** é adequada para utilização apenas em pisos duros.

Uma escova do tipo **CA** é adequada para utilização apenas em alcatifas.

As restantes escovas são acessórios para tarefas de limpeza especializadas e são recomendadas apenas para utilização ocasional.

É importante notar que este aspirador é fornecido com uma Etiqueta Energética conforme requerido pelo Regulamento Europeu (EU) 665/2013.

Consulte a especificação do modelo na etiqueta da embalagem para a inclusão de acessórios em modelos específicos. Todos os acessórios podem ser adquiridos em separado na Hoover. (Consultar a secção Peças e Consumíveis Hoover).

Todos os acessórios podem ser montados na extremidade do tubo flexível ou na extremidade do tubo telescópico.

**Acessório para fendas** – Para cantos e áreas difíceis de alcançar. **[12]**

**Escova para pó** – Para estantes de livros, molduras, teclados e outras áreas delicadas. Para prolongar as escovas, carregue no botão no corpo do acessório. **[13]**

\*Apenas Alguns modelos

\*\*Apenas alguns modelos, as escovas podem variar dependendo do modelo

**Escova para parquet\*** – Para pavimentos de parquet e outros pavimentos delicados. [1X]  
**Escova grande turbo\*** – Utilize a escova turbo para a limpeza de alcatifas em profundidade. [1W]

**Mini escova turbo para remover pêlos de animais\*** - Utilize a mini escova turbo em escadas ou para uma limpeza em profundidade de tecidos e outras áreas mais difíceis. Especialmente adequada para a remoção de pêlos de animais. [1U]

**Mini escova turbo para remoção de alergéneos\*** – Utilize a mini-escova turbo em escadas ou para a limpeza em profundidade de superfícies têxteis e outras áreas de difícil limpeza, especialmente adequada para a remoção de alergéneos. [1V]

**IMPORTANTE:** Não utilize a escova turbo e a mini escova turbo em tapetes com franjas muito compridas, abrigos de animais e alcatifas com uma profundidade de pêlo superior a 15 mm. Não mantenha a escova parada enquanto está em rotação.

## MANUTENÇÃO DO ASPIRADOR

### Esvaziar o depósito de pó

Quando o pó atinge o indicador de nível máximo no depósito, este deve ser esvaziado.

**IMPORTANTE:** Para manter o melhor desempenho, não permita que o pó ultrapasse o nível máximo.

1. Solte o manípulo do depósito levantando o trinco central para separar o depósito de pó do corpo principal do aspirador e puxe-o para cima para o tirar. [14]
2. Segure o depósito de pó sobre um cesto de lixo com uma mão e com a outra mão abra a porta do depósito de pó para o esvaziar. [15]
3. Feche a porta do depósito de pó e recolque-o no corpo principal do aspirador. Para o fixar na posição, empurre o depósito para baixo até o trinco encaixar no corpo principal do aspirador. Desde que esteja na posição correcta, o manípulo encaixa-se na parte superior do aspirador.

### Limpar os filtros laváveis

O aspirador está equipado com duas unidades de filtro hepa azul. Para manter um óptimo desempenho de limpeza, os filtros devem ser retirados regularmente e batidos contra a parte lateral do cesto de lixo para libertar o pó. Os filtros devem ser lavados cada 3 meses ou quando apresentarem um nível de pó excessivo.

**IMPORTANTE:** Efectue regularmente a verificação e manutenção dos filtros.

**IMPORTANTE:** Verifique sempre se a unidade do filtro está completamente seca.

#### Para aceder ao filtro do pré-motor:

**NOTA:** Verifique se o manípulo está virado para baixo antes de abrir a porta do filtro

1. Destrave a porta do filtro puxando para cima o respectivo trinco. Abra a porta do filtro. [16]
2. Retire a unidade do filtro pressionando para baixo o dispositivo de retenção para a soltar. A unidade do filtro salta para fora. Retire para fora a unidade do filtro. [17]
3. Destrave a estrutura da unidade do filtro.

\*Apenas Alguns modelos

\*\*Apenas alguns modelos, as escovas podem variar dependendo do modelo

4. Remova o micro filtro HEPA da estrutura da unidade e lave o micro filtro manualmente usando água morna. Não utilize água quente ou detergentes. Remova o excesso de água do filtro e deixe secar completamente antes de usar de novo. [20]
5. Monte de novo a unidade do filtro quando estiver totalmente seca e recolque-a no aspirador. Pressione a parte superior do filtro para assegurar que fica bem encaixada no lugar.

#### Para aceder ao filtro de exaustão:

1. Destranque o filtro de exaustão rodando a porta no sentido indicado pela seta. [18]
2. Retire a unidade do filtro do respectivo compartimento. [19]
3. Bata suavemente e lave a unidade do filtro azul HEPA. Não utilize água quente ou detergentes. Remova o excesso de água do filtro e deixe secar completamente antes de usar de novo. [20]
4. Monte de novo a unidade do filtro quando estiver totalmente seca e recolque-a no aspirador.

**IMPORTANTE:** Não utilize o aspirador sem a unidade do filtro colocada.

### Limpar a unidade de separação Airvolution

Este aspirador utiliza o sistema de separação Airvolution, único da Hoover. Se necessário, a unidade de separação Airvolution pode ser desmontada do depósito do pó para ser limpa.

1. Retire o depósito de pó do aspirador soltando o manípulo do depósito para o separar do corpo principal do aspirador e puxe para cima para remover. [14]
2. Coloque o depósito de pó em uma superfície plana e solte os grampos de ambos os lados. [21]
3. Usando a pega do depósito de pó, retire da secção inferior a secção superior do depósito de pó que contém a unidade de separação. [22]
4. Utilize um pano para remover o excesso de pó da superfície da unidade de separação. [23]
5. Monte de novo a unidade superior do depósito de pó. Prenda de novo os grampos para fechar completamente o depósito de pó. [24]
6. Volte a instalar o depósito de pó no aspirador. Para o fixar na posição, empurre o depósito para baixo até o trinco encaixar no corpo principal do aspirador. Desde que esteja na posição correcta, o manípulo encaixa-se na parte superior do aspirador.

### Remover uma obstrução

1. Verifique se o depósito de pó está cheio. Caso esteja, consulte a secção “Esvaziar o depósito de pó”.
2. Se o depósito de pó está vazio mas a aspiração continua fraca:
  - A. É necessário limpar os filtros? Caso necessitem, consulte a secção “Limpar os filtros laváveis”.
  - B. Caso esteja, consulte a secção “Esvaziar o depósito de pó”. - Utilize uma vara ou um pau para remover qualquer obstrução do tubo de extensão ou do tubo flexível.
  - C. Verifique se o filtro do pré-motor está colocado e a porta do filtro fechada.
  - D. Verifique se a unidade de separação necessita de ser limpa. Consulte “Limpar a unidade de separação”.

## LISTA DE VERIFICAÇÃO DO UTILIZADOR

Se tiver algum problema com o aparelho, preencha esta simples lista de verificação do utilizador antes de chamar o serviço de assistência Hoover local.

- O aspirador tem alimentação de corrente? Verifique com outro aparelho eléctrico.
- O depósito de pó está demasiado cheio? Consulte “Manutenção do Aspirador”.
- O filtro está entupido? Consulte “Manutenção do Aspirador”.
- O tubo ou a escova estão bloqueados? Consulte “Remover uma obstrução do sistema”.
- O aspirador sobreaqueceu? Em caso afirmativo, a reposição automática ocorrerá passados cerca de 30 minutos.

## INFORMAÇÕES IMPORTANTES

### Peças sobressalentes e consumíveis Hoover

Substitua sempre as peças por peças sobressalentes Hoover genuínas. Pode obtê-las junto do seu representante local ou directamente da Hoover. Quando encomendar peças, mencione sempre o número do seu modelo.

Pre-Motor Filter	S112	35601238
Purefilt Exhaust Filter	T106	35601238
Complete Flexible Hose	D122	35601055
Carpet & Floor Extra Nozzle	G202EE	35601595
Carpet & Floor Smart Nozzle	G217SE	35601610
Hard Floor Extra Nozzle	G207EE	35601600
Hard Floor Smart Nozzle	G206SE	35601599
Carpet Extra Nozzle	G210EE	35601603
Parquet Extra Nozzle	G90PCB	35600934
Mini Turbo Nozzle	J32	35600817
Turbo Nozzle	J57	35601239

### Assistência Hoover

Se necessitar de assistência a qualquer altura, queira contactar o seu serviço de assistência Hoover local.

### Qualidade

A qualidade das instalações industriais da Hoover foi avaliada de forma independente. Os nossos produtos são fabricados de acordo com um sistema de qualidade que satisfaz os requisitos da norma ISO 9001.

### Garantia

As condições de garantia para este aparelho são as definidas pelo nosso representante no país onde foi vendido. Pode obter detalhes sobre estas condições junto do agente a quem adquiriu

o aparelho. A factura de venda ou o recibo deverão ser entregues quando apresentar uma reclamação ao abrigo dos termos da garantia.

Sujeito a alteração sem aviso prévio.

## INSTRUCCIONES PARA UN USO SEGURO

Este aparato sólo debe utilizarse para la limpieza doméstica habitual, como se describe en esta guía del usuario. Asegúrese de haber comprendido todo el contenido de este manual antes de poner en funcionamiento el aparato.

No deje enchufado el aparato. Apague y desenchufe siempre el aparato antes de limpiarlo o de realizar cualquier labor de mantenimiento.

Este aparato puede ser usado por niños de 8 años en adelante y personas con capacidades físicas, sensoriales o mentales reducidas o falta de experiencia y conocimiento bajo supervisión y con una explicación de las instrucciones con respecto al uso del aparato de manera segura y que comprendan los riesgos implicados. Los niños no deben jugar con el aparato. Los niños no deben limpiar ni dar mantenimiento sin supervisión.

Si el cable de alimentación está dañado, deje de utilizar el aparato inmediatamente. Para evitar un peligro de seguridad, técnicos de servicio autorizados por Hoover deben reemplazar el cable de alimentación.

Mantener lejos de los cepillos rotatorios pies, manos, ropa suelta y cabellos.

Utilizar únicamente accesorios, consumibles o recambios recomendados o suministrados por HOOVER.

**Electricidad estática:** Algunas alfombras pueden provocar una pequeña acumulación de electricidad estática. Las descargas estáticas no son peligrosas para la salud.

No utilice el aparato al aire libre, en superficies húmedas o para recoger líquidos.

No aspire objetos duros o afilados, cerillas, ceniza candente, colillas de cigarrillo u objetos similares.

No rocíe ni aspire líquidos inflamables, aerosoles para limpiar o sus vapores.

No pase por encima del cable de alimentación cuando utiliza el aparato ni lo desenchufe tirando del cable.

No siga utilizando su aparato si parece tener algún defecto.

**Servicio técnico HOOVER:** Para garantizar el funcionamiento seguro y eficaz del aparato, recomendamos que las tareas de mantenimiento y reparación sean realizadas exclusivamente por técnicos autorizados del servicio técnico de Hoover.

No pise el cable ni lo enrolle en los brazos ni las piernas al utilizar el aparato.

No utilice el aparato en personas ni animales.

No sitúe el aparato por encima de usted cuando esté limpiando las escaleras.

### El Medio Ambiente:

El símbolo que puede verse en el producto indica que éste no puede tratarse como residuo doméstico. En vez de esto debe entregarse en un punto de recogida de electrodomésticos para el reciclaje de equipos eléctricos y electrónicos. La eliminación debe llevarse a cabo según los reglamentos medioambientales locales sobre eliminación de residuos. Para información más detallada sobre el tratamiento, la recuperación y el reciclaje de este aparato, póngase en contacto con su Ayuntamiento, su servicio de recogida de residuos domésticos o con el establecimiento donde haya comprado el producto.



**CE** Esta aparato cumple con las Directivas europeas 2006/95/EC, 2004/108/EC y 2011/65/EU.

HOOVER Limited, Pentrebach, Merthyr Tydfil, Mid Glamorgan, CF48 4TU, UK

## INFORMACIÓN SOBRE SU ASPIRADOR

- A. Estructura central del aspirador
- B. Empuñadura de transporte
- C. Depósito de suciedad
- D. Mango y seguro del depósito de suciedad
- E. Botón de encendido/apagado
- F. Botón recogecable
- G. Portezuela del filtro
- H. Seguro de la portezuela del portillo del filtro
- I. Paquete Filtro Pre-Motor
- J. Portillo del filtro de Descarga
- K. Filtro de Descarga
- L. Aparcamiento
- M. Empuñadura
- N. Control de aspirado
- O. Tubo telescópico
- P. Regulador del tubo telescópico
- Q. Tobera para alfombras y suelos (GP)\*\*
  - Q1. Tobera para alfombras (CA)\*\*
  - Q2. Tobera para suelo duro (HF)\*\*
- R. Selector de superficies\*\*
- S. Manguera
- T1. Accesorio para tapicerías \*
- T2. Cepillo para quitar el polvo\*
- U. Tobera Mini Turbo para el pelo de los animales\*
- V. Tobera Mini Turbo elimina alérgenos\*
- W. Maxi Tobera Turbo\*
- X. Tobera Parquet \*

## MONTAJE DEL ASPIRADOR

Saque todas las piezas del embalaje.

1. Conecte la manguera a la estructura central del aspirador [2]
2. Conectar el extremo superior del tubo telescópico a la empuñadura [3].
3. Conecte el extremo inferior del tubo a la tobera para alfombras y suelos. [4]

## UTILIZACIÓN DEL ASPIRADOR

1. Extraiga el cable de alimentación y enchúfelo a la toma de corriente. No debe continuar tirando cuando llegue a la marca roja. [5]
2. Regular el tubo telescópico a la altura deseada levantando o bajando la empuñadura hasta encontrar la posición. [6]
3. Escoja el tipo de superficie que desea limpiar apretando el pedal que se encuentra en la tobera. [7]
  - Suelos duros – Los cepillos bajan para proteger el suelo.
  - Alfombra – Los cepillos se elevan para una limpieza a fondo.
4. Encienda el aspirador pulsando el botón de encendido/apagado que se encuentra en la estructura central del aspirador. [8]
5. Ajuste la potencia de aspirado deslizando el regulador pertinente hasta el nivel deseado. [9]
6. Apague el aparato tras su uso pulsando el botón de encendido/apagado. Desenchufe el aparato y pulse el botón recogecable para recoger el cable en el interior del aspirador. [10]
7. Para guardar el aspirador, reduzca la altura del tubo telescópico al mínimo y enganche la tobera en la posición de almacenamiento, en la estructura principal del aspirador. [11]

## ACCESORIOS

Para obtener el mejor rendimiento y eficiencia energética #1 se recomienda utilizar toberas adecuadas para las principales operaciones de limpieza.

Estas toberas se indican en los diagramas con las letras **GP**, **HF** o **CA**.

Una tobera de tipo **GP** se puede utilizar para limpiar tanto alfombras como suelos duros.

Una tobera de tipo **HF** es adecuada sólo para un uso en suelos duros.

Una tobera de tipo **CA** es adecuada sólo para un uso en alfombras.

Las demás toberas son accesorios para efectuar tareas de limpieza especializadas y se recomiendan sólo para un uso ocasional.

Es importante notar que esta aspiradora se suministra con una etiqueta energética de conformidad con el reglamento europeo (UE) 665/2013.

Consulte las características técnicas del modelo en la etiqueta del embalaje que especifica los accesorios que se incluyen con cada modelo en particular. Puede adquirir todos estos accesorios por separado en Hoover. (Consulte los apartados Piezas de repuesto y Piezas consumibles.).

Todos los accesorios pueden instalarse en el extremo de la manguera o en el extremo del tubo telescópico.

**Accesorio para tapicerías** – Para rincones y zonas de difícil acceso. [12]

\*Sólo algunos modelos

\*\*Sólo para algunos modelos, las toberas pueden variar en base al modelo



**Cepillo para quitar el polvo** – Para estanterías, marcos, teclados y demás áreas delicadas. Para extender el cepillo pulse el botón en el cuerpo del accesorio. **[13]**

**Tobera Parquet \*** – Para suelos de parqué y demás suelos delicados. **[1X]**

**Maxi Tobera Turbo\*** – Utilice la tobera turbo para la limpieza a fondo de alfombras. **[1W]**

**Tobera Mini Turbo para el pelo de los animales\*** – Emplee la mini tobera turbo para la limpieza de escaleras o para la limpieza a fondo de tejidos y demás áreas difíciles de limpiar. Particularmente adecuada para remover los pelos de los animales domésticos. **[1U]**

**Tobera Mini Turbo elimina alérgenos\*** – Emplee la mini tobera turbo para la limpieza de escaleras o para la limpieza a fondo de tejidos y demás áreas difíciles de limpiar, ideal para eliminar alérgenos. **[1V]**

**IMPORTANTE:** No utilice las toberas turbo y mini turbo para alfombras que tengan flecos largos, estén hechas de piel animal, ni sean de pelo de un espesor superior a 15 mm. No mantenga la tobera inmóvil mientras el cepillo esté girando.

## MANTENIMIENTO DEL ASPIRADOR

### Vaciado del depósito de suciedad

Vacíe el depósito de suciedad cuando la suciedad acumulada llegue al indicador de máximo nivel del depósito.

**IMPORTANTE:** Para que su aspirador mantenga un rendimiento óptimo, no deje que la suciedad acumulada supere el nivel máximo.

1. Libere el mango de transporte del depósito elevando el seguro central para separar el depósito de suciedad del aspirador principal y tire hacia arriba para sacarlo. **[14]**
2. Sostenga con una mano el depósito de suciedad sobre el cubo de la basura y con la otra mano tire de la presilla del depósito de suciedad para abrir la portezuela y vaciarlo. **[15]**
3. Cerrar el portillo contenedor recolector polvo y posicionar nuevamente en el cuerpo principal del equipo. Para bloquearlo empuje el mango de transporte del depósito hasta que el seguro se conecte con la estructura principal del aparato. Cuando esté correctamente enganchado, el mango de transporte debe quedar al mismo nivel que la superficie superior del aspirador.

### Limpieza de los filtros lavables

En el aspirador se hallan montados 2 paquetes de filtros Hepa de color azul. Para que su aspirador mantenga un rendimiento óptimo debe extraer con regularidad los filtros y sacudirlos contra el lateral del cubo de basura para desincrustar la suciedad. Los filtros deben lavarse cada 3 meses o cuando el filtro acumule una cantidad excesiva de suciedad.

**IMPORTANTE:** Compruebe los filtros con regularidad y manténgalos en buen estado.

**IMPORTANTE:** Cerciórese siempre de que el paquete de filtros esté completamente seco antes de utilizarlo de nuevo.

### Para acceder al filtro Pre-Motor:

**NOTA:** Cerciórese de que el mango de transporte se encuentre en la posición inferior antes de abrir la portezuela del filtro.

1. Desenganche la portezuela del filtro tirando hacia arriba del seguro del filtro. Abra la portezuela del filtro. **[16]**
2. Extraiga el paquete de filtros pulsando hacia abajo el seguro de retención para liberarlo. Esto hará que emerja el paquete de filtros Deslice hacia fuera el paquete de filtros. **[17]**
3. Abra el soporte del paquete.
4. Quitar el microfiltro HEPA del equipo y lavarlo a mano con agua caliente. No usar agua hirviendo o detergentes. Eliminar el agua en exceso del filtro y dejar que se seque completamente antes de usarlo nuevamente. **[20]**
5. Montar nuevamente la unidad filtro una vez que esté seca e instalarla en el equipo. Ejercer presión sobre la parte superior del filtro para cerciorarse de que vuelve a quedar encajado en su sitio.

### Para acceder al filtro:

1. Desbloquee la portezuela del filtro de descarga girándola según la flecha indicada. **[18]**
2. Extraiga el paquete de filtros de su alojamiento. **[19]**
3. Golpetear y lavar el filtro HEPA azul. No usar agua hirviendo o detergentes. Eliminar el agua en exceso del filtro y dejar que se seque completamente antes de usarlo nuevamente. **[20]**
4. Vuelva a montar el paquete de filtros tras secarse completamente y vuelve a colocarlo en el aparato.

**IMPORTANTE:** No utilice el aparato si el paquete de filtros no está instalado.

### Limpieza de la unidad Airvolution

Este equipo usa el sistema Airvolution exclusivo de Hoover. Si hiciera falta, la unidad de Airvolution puede ser sacada del depósito del polvo y limpiada.

1. Extraiga el depósito de suciedad del aspirador soltando el mango de transporte del depósito, para separar el depósito de suciedad del aspirador principal, y tirando a continuación hacia arriba para sacarlo. **[14]**
2. Abrir el contenedor recolector polvos desbloqueando los ganchos laterales. **[21]**
3. Con la específica manija, levantar la parte superior que contiene la unidad que separa la parte inferior. **[22]**
4. Utilice un paño para sacar el polvo excesivo de la superficie de la unidad. **[23]**
5. Montar nuevamente la parte superior del contenedor recolector polvo. Empujar los ganchos laterales hacia abajo para cerrar el contenedor recolector polvo. **[24]**
6. Montar nuevamente el contenedor recolector polvos en el equipo. Para bloquearlo empuje el mango de transporte del depósito hasta que el seguro se conecte con la estructura principal del aparato. Cuando esté correctamente enganchado, el mango de transporte debe quedar al mismo nivel que la superficie superior del aspirador.

\*Sólo algunos modelos

\*\*Sólo para algunos modelos, las toberas pueden variar en base al modelo

### Eliminación de obstrucciones

1. Compruebe si el depósito de suciedad está lleno. En caso afirmativo, consulte el 1. apartado "Vaciado del depósito de suciedad".
2. Si el depósito de suciedad está vacío y, aun así, hay poca potencia de aspirado:
  - A. ¿Cabe la posibilidad de que sea preciso limpiar los filtros? En caso afirmativo, consulte el apartado "Limpieza de los filtros lavables".
  - B. Compruebe si existe alguna otra obstrucción en el sistema - Utilice una varilla o una barra para eliminar cualquier obstrucción del tubo de extensión o de la manguera flexible.
  - C. Compruebe si el filtro premotor está instalado y la portezuela del filtro está cerrada.
  - D. Controle si es necesario limpiar la unidad ciclón. En caso afirmativo, remítase al capítulo "Limpieza de la unidad de separación"

### Servicio de reparaciones de Hoover

Si en cualquier momento necesitara efectuar reparaciones, diríjase a su oficina local de servicio de reparaciones de Hoover.

#### Calidad

Las fábricas de Hoover han sido sometidas a inspecciones de calidad independientes. Nuestros productos se fabrican de conformidad con un sistema de calidad que cumple los requisitos de la norma ISO 9001.

#### Su garantía

Las condiciones de garantía para este aparato vienen definidas por nuestro representante en el país de venta. Puede obtener los detalles acerca de estas condiciones en el establecimiento donde haya comprado este aparato. Debe mostrarse la factura de compra o el recibo al hacer alguna reclamación en virtud de las condiciones de garantía.

Sujeto a cambios sin previo aviso.

### LISTA DE COMPROBACIONES QUE DEBE REALIZAR EL USUARIO

Si surgiera algún problema con el producto, lleve a cabo las sencillas comprobaciones que se enumeran a continuación antes de llamar a su Servicio local de reparaciones de Hoover.

- ¿Hay suministro de corriente para el aspirador? Pruebe con otro aparato eléctrico.
- ¿El contenedor recolector polvo está lleno? Remítase al capítulo "Mantenimiento del Aspirador".
- ¿Está obstruido el filtro? Remítase al capítulo "Mantenimiento del Aspirador".
- ¿Está obstruida la manguera o la tobera? Consulte "Eliminación de una obstrucción en el sistema".
- ¿Se ha recalentado el aspirador? En caso afirmativo, tardará aproximadamente 30 minutos en reiniciarse automáticamente.

### INFORMACIÓN IMPORTANTE

#### Piezas de repuesto y consumibles de Hoover

Utilice siempre piezas de repuesto originales de Hoover. Puede adquirirlas en su Servicio Asistencia Técnica de Hoover o pedir las directamente a Hoover. Cuando realice pedidos de piezas, indique siempre el número de modelo que posee.

Pre-Motor Filter	S112	35601238
Purefilt Exhaust Filter	T106	35601238
Complete Flexible Hose	D122	35601055
Carpet & Floor Extra Nozzle	G202EE	35601595
Carpet & Floor Smart Nozzle	G217SE	35601610
Hard Floor Extra Nozzle	G207EE	35601600
Hard Floor Smart Nozzle	G206SE	35601599
Carpet Extra Nozzle	G210EE	35601603
Parquet Extra Nozzle	G90PCB	35600934
Mini Turbo Nozzle	J32	35600817
Turbo Nozzle	J57	35601239

## INSTRUKTIONER FOR SIKKER ANVENDELSE:

Denne støvsuger må kun anvendes til almindelig husholdningsrengøring, som beskrevet i brugsanvisningen. Du bør sikre dig, at du har forstået indholdet af denne brugervejledning fuldt ud, inden apparatet tages i brug.

Efterlad ikke støvsugeren tilsluttet. Inden du rengør eller foretager vedligeholdelse af støvsugeren, skal du altid slukke for den og tage stikket ud af stikkontakten.

Dette udstyr kan anvendes af børn, der er 8 år gamle og derover, og af personer med nedsatte fysiske, sensoriske eller mentale evner eller manglende erfaring og viden, hvis de er under opsyn eller vejledning i at bruge udstyret på en sikker måde og forstår de risici, der er involveret. Børn må ikke lege med udstyret. Rengøring og vedligeholdelse må ikke udføres af børn uden en voksen tilstede.

Hvis netledningen er ødelagt, skal du stoppe med at bruge støvsugeren øjeblikkeligt. For at undgå en sikkerhedsrisiko, skal en autoriseret HOOVER servicetekniker udskifte strømkablet.

Hold hænder, fødder, løstsiddende tøj og hår væk fra roterende børster.

Brug kun tilbehør, forbrugsvarer eller reservedele, som anbefalet eller leveret af Hoover.

**Statisk elektricitet:** Visse tæpper kan forårsage en mindre akkumulering af statisk elektricitet. Udledning af statisk elektricitet er ikke sundhedsfarligt.

Brug ikke støvsugeren udendørs eller på våde overflader eller til opugning af væsker.

Undlad at opsuge hårde eller skarpe genstande, tændstikker, varm aske, cigaretstumper eller andre lignende genstande.

Undlad at sprøjte med eller opsuge brændbare væsker, rensesvæsker, spraydåser eller spray fra disse.

Undlad at køre over strømkablet når du bruger din støvsuger og undlad at trække stikket ud ved at trække i strømkablet, men hold fast i stikket.

Lad være med at fortsætte at bruge støvsugeren, hvis den ser ud til at være defekt.

**HOOVER-SERVICE:** For at sikre løbende sikker og effektiv drift af dette apparat anbefaler vi, at eftersyn eller reparationer udelukkende udføres af en autoriseret Hoover-servicetekniker.

Snur hverken ledningen om arme eller ben eller stå på den, mens du bruger støvsugeren.

Undlad at bruge apparatet på at rengøre mennesker eller dyr.

Undlad at lade støvsugeren stå oven for dig, når du rengør trapper.

### Miljøet

Symbolet på produktet angiver, at produktet ikke må behandles som husholdningsaffald. Det skal i stedet afleveres til en relevant affaldsstation for genbrug af elektrisk og elektronisk udstyr. Bortskaffelse skal ske i overensstemmelse med de lokale miljøregler vedrørende bortskaffelse af affald. For mere detaljeret information om behandling, genvinding og genbrug af dette produkt, henvend dig da til den lokale kommune, til dit affaldsselskab eller den forretning hvor du købte produktet.



**CE** Denne støvsuger overholder bestemmelserne is EU Direktiverne 2006/95/EC, 2004/108/EC og 2011/65/EU.

HOOVER Limited, Pentrebach, Merthyr Tydfil, Mid Glamorgan, CF48 4TU, UK

## KEND DIN STØVSUGER

- A. Støvsugerens hoveddel
- B. Bærehåndtag
- C. Støvbeholder
- D. Håndtag og lås til støvbeholder
- E. Tænd/sluk-knap
- F. Knap til ledningsoprulning
- G. Filterlåge
- H. Lås til filterlåge
- I. Filterpakke til formotor
- J. Låge til udblæsningsfilter
- K. Udsugningsfilter
- L. Parkeringslås
- M. Håndtag
- N. Sugekontrol
- O. Teleskoprør
- P. Reguleringsanordning til teleskoprør
- Q. Tæppe- og gulvmundstykke (**GP**)\*\*
  - Q1. Tæppemundstykke (**CA**)\*\*
  - Q2. Mundstykke til hårde gulve (**HF**)\*\*
- R. Overfladevælger\*\*
- S. Slange
- T1. Sprækkeværktøj\*
- T2. Støvbørste\*
- U. Mini-turbomundstykke til dyrehår\*
- V. Mini-turbomundstykke til allergener\*
- W. Stort turbomundstykke\*
- X. Mundstykke til parketpleje\*

## MONTERING AF STØVSUGEREN

Udtag alle komponenter fra emballagen.

1. Tilslut slangen til støvsugerens hoveddel, og sørg for. [2]
2. Tilslut rørets øverste ende til styrehåndtaget [3].
3. Tilslut rørets nederste ende til tæppe- og gulvmundstykket. [4]

## BRUG AF STØVSUGEREN

1. Træk strømledningen ud, og sæt den i stikkontakten. Træk ikke ledningen længere ud end det røde mærke. [5]
2. Indstil teleskoprøret til den ønskede højde ved at holde på håndtaget og flytte håndgrebet i midten op eller ned. [6]
3. Vælg den overfladetype, der skal rengøres ved at trykke på pedalen på mundstykket. [7]
  - Hårdt gulv – Børsterne sænkes for at beskytte gulvet.
  - Tæppe – Børsterne hæves for den dybegående rengøring.
4. Tænd for støvsugerens ved at trykke på Tænd/sluk-knappen på støvsugerens hoveddel. [8]
5. Indstil sugestyrken ved at glide sugekontrollen til det ønskede niveau. [9]
6. Sluk efter brug ved at trykke på Tænd/sluk-knappen. Træk stikket ud af stikkontakten, og tryk på knappen til ledningsoprulning for at rulle ledningen tilbage i støvsugerens. [10]
7. Opbevaring: Juster teleskoprøret til den laveste højdeindstilling, og parker mundstykket i parkeringsposition på støvsugerens hoveddel. [11]

## TILBEHØR

For at opnå den bedste ydeevne og effektive udnyttelse af energien<sup>#1</sup>, anbefales det at de korrekte mundstykker anvendes til de vigtigste rengøringsformål. Disse mundstykker er vist i illustrationerne ved bogstaverne **GP**, **HF** og **CA**.

Mundstykketypen **GP** anvendes for at rengøre både tæpper og hårde gulve.

Mundstykketypen **HF** er kun velegnet til brug på hårde gulve.

Et mundstykke af typen **CA** er kun velegnet på tæpper.

De andre mundstykker er tilbehør for specielle rengøringsopgaver og er kun anbefalede til lejlighedsvis anvendelse.

Det er vigtigt at være opmærksom på at denne støvsuger er forsynet med Energimærke som påkrævet ved Europæisk Bekendtgørelse (EU) 665/2013.

Se modelspecifikationen på mærkaten på emballagen for inkludering af tilbehør til de enkelte modeller. Alt tilbehør kan købes separat hos Hoover. (Se afsnittet Hoover- reservedele og forbrugsstoffer.)

Alt tilbehør kan monteres til slangens ende eller teleskoprørets ende.

**3-i-1 tilbehør** – Kombinerer flere funktioner i ét med maksimal fleksibilitet pga. den roterende hoveddel. Nå ind i akavede områder ved at dreje hoveddelen. 3-i-1 værktøjet kan gemmes pænt væk under slangehåndtaget. [1]

**Sprækkeværktøj** – Til hjørner og områder, der er vanskelige at komme til. [12]

\*Kun til visse modeller

\*\* Kun på visse modeller kan mundstykkerne variere alt efter modeltype

**Støvbørste** – Til bogreoler, rammer, tastaturer og andre sarte områder. Tryk på knappen på værktøjets hoveddel for at få børsterne frem. **[13]**

**Mundstykke til parketpleje\*** – Til parketgulve og andre sarte gulve. **[1X]**

**Stort turbomundstykke\*** – Brug turbo-mundstykket til dybderensning af tæpper. **[1W]**

**Mini-turbomundstykke til dyrehår\*** – Brug mini-turbomundstykket på trapper eller til rengøring af tekstiloverflader i dybden og andre områder, der er svære at rengøre. Især velegnet til fjernelse af dyrehår. **[1U]**

**Mini-turbomundstykke til allergener\*** – Brug mini-turbomundstykket på trapper eller til grundig rengøring af tekstiloverflader og andre områder, der er svære at rengøre. Velegnet til fjernelse af allergener. **[1V]**

**VIGTIGT:** Brug ikke turbo- og mini-turbomundstykket på tæpper med lange frynser, skind og på tæppefliser, der er dybere end 15 mm. Hold ikke mundstykket stille, mens børsten roterer.

## VEDLIGEHOJDELSE AF STØVSUGEREN

### Tømning af støvbeholderen

Når støvet når maksimumsindikatoren i beholderen, skal støvbeholderen tømmes.

**VIGTIGT:** For at opnå optimal ydelse må støvet ikke nå højere end til maks.niveauet.

1. Udløs beholderens bærehåndtag ved at løfte den midterste lås for at aftage støvbeholderen fra hoveddelen, og træk opad for at fjerne den. **[14]**
2. Hold støvbeholderen over en skraldespand med den ene hånd, og træk i støvbeholderlåsen med den anden for at åbne lågen og tømme beholderen. **[15]**
3. Luk låget til støvbeholderen, og sæt den tilbage på støvsugerens hoveddel. For at låse den på plads skal beholderens bærehåndtag skubbes ned, indtil låsen forbindes med støvsugerens hoveddel. Når bærehåndtaget sidder rigtigt, flugter det med støvsugerens top.

### Rengøring af de vaskbare filtre

Støvsugerens har to blå hepa-filterpakke monteret. For at bevare den optimale rengøringsydelse skal filtrene regelmæssigt fjernes og bankes mod siden af skraldespanden for at frigive støv. Filtrene bør vaskes hver 3. måned, eller når filteret er fyldt med støv.

**VIGTIGT:** Kontroller og vedligehold filtrene regelmæssigt.

**VIGTIGT:** Sørg altid for, at filterpakken er helt tør før brug.

### Sådan får du adgang til for-motorfilteret:

**BEMÆRK:** Sørg for, at bærehåndtaget er i den nederste position, før du åbner filterlågen.

1. Lås filterlågen op ved at trække filterlåsen opad. Åbn filterlågen. **[16]**
2. Fjern filterpakken ved at trykke ned på holdelåsen for at udløse den. Filterpakken springer op. Skyd filterpakken ud. **[17]**
3. Lås filterpakkerammen op.
4. Tag HEPA-mikrofilteret ud af filterpakkerammen, og vask mikrofilteret i hånden med varmt vand. Brug ikke meget varmt vand eller rengøringsmidler Fjern det overskydende

vand fra filteret, og lad det tørre helt, før det genbruges. **[20]**

5. Genmonter filterpakken, når den er helt tør, og monter den på støvsugerens igen. Tryk på toppen af filteret for at sikre, at det klikker tilbage på plads.

### Adgang til udblæsningsfilteret:

1. Lås udsugningsfilterlågen op ved at dreje døren langs pilen som angivet. **[18]**
2. Fjern filterpakken fra rummet. **[19]**
3. Bank den blå hepa-filterenhed forsigtigt, og vask den. Brug ikke meget varmt vand eller rengøringsmidler Fjern det overskydende vand fra filteret, og lad det tørre helt, før det genbruges. **[20]**
4. Genmonter filterpakken, når den er helt tør, og monter den på støvsugerens igen.

**VIGTIGT:** Produktet må ikke bruges uden filterpakken monteret.

### Rengøring af Airvolution-separeringsenheden

Denne støvsuger har et Airvolution-separeringssystem, som kun findes hos Hoover. Hvis det er nødvendigt, kan Airvolution-separeringsenheden afmonteres fra støvbeholderen og rengøres.

1. Fjern støvbeholderen fra støvsugerens ved at udløse beholderens bærehåndtag for at demontere støvbeholderen fra hoveddelen, og træk opad for at fjerne den. **[14]**
2. Placer støvbeholderen på en flad overflade, og løs clipsene på hver side af støvbeholderen. **[21]**
3. Brug støvbeholderens håndtag til at løfte beholderens øverste del, som indeholder separeringsenheden, op fra den nederste del. **[22]**
4. Fjern overskydende støv fra separeringsenhedens flade med en klud. **[23]**
5. Genmonter støvbeholderens øverste del. Tryk clipsene tilbage på plads for at lukke støvbeholderen helt igen. **[24]**
6. Sæt støvbeholderen på støvsugerens. For at låse den på plads skal beholderens bærehåndtag skubbes ned, indtil låsen forbindes med støvsugerens hoveddel. Når bærehåndtaget sidder rigtigt, flugter det med støvsugerens top.

### Fjernelse af en tilstopning

1. Kontroller, om støvbeholderen er fuld. Hvis det er tilfældet, skal du se "Tømning af støvbeholderen".
2. Hvis støvbeholderen er tom, men suget stadig er lavt:
  - A. Trænger filtrene til at blive rensede? Hvis det er tilfældet, skal du se "Rensning af de vaskbare filtre".
  - B. Kontrollér, om der er andre tilstopninger i systemet - Brug en stang eller lignende til at fjerne eventuelle tilstopninger fra forlængerrøret eller den bøjelige slange.
  - C. Kontroller, om for-motorfilteret er monteret og filterlågen lukket.
  - D. Kontroller, om separeringsenheden skal renses. Se "Rengøring af separeringsenheden".

\*Kun til visse modeller

\*\* Kun på visse modeller kan mundstykkerne variere alt efter modeltype



## BRUGERENS CHECKLISTE

Hvis du får et problem med produktet, skal du udfylde denne enkle brugercheckliste, før du ringer til den lokale Hoover-service.

- Virker strømforsyningen til støvsugeren? Kontroller venligst på et andet elektrisk apparat.
- Er støvbeholderen overfyldt? Se venligst under "Vedligeholdelse af støvsugeren".
- Er filteret tilstoppet? Se venligst under "Vedligeholdelse af støvsugeren".
- Er slangen eller mundstykket tilstoppet? Se "Sådan fjerner du en tilstopning fra systemet".
- Er støvsugeren overophedet? Hvis den er, vil det vare ca. 30 minutter at nulstille automatisk.

## VIGTIGE OPLYSNINGER

### Hoover-reservedele og -forbrugsstoffer

Udskift altid dele med ægte Hoover-reservedele. Disse fås fra den lokale Hoover-forhandler eller direkte fra Hoover. Når du bestiller dele, skal du altid opgive modelnummer.

Pre-Motor Filter	S112	35601238
Purefilt Exhaust Filter	T106	35601238
Complete Flexible Hose	D122	35601055
Carpet & Floor Extra Nozzle	G202EE	35601595
Carpet & Floor Smart Nozzle	G217SE	35601610
Hard Floor Extra Nozzle	G207EE	35601600
Hard Floor Smart Nozzle	G206SE	35601599
Carpet Extra Nozzle	G210EE	35601603
Parquet Extra Nozzle	G90PCB	35600934
Mini Turbo Nozzle	J32	35600817
Turbo Nozzle	J57	35601239

### Hoover-service

Hvis du ønsker service på dine produkter, skal du kontakte det lokale Hoover-servicekontor.

### Kvalitet

Hoovers fabrikker er blevet vurderet uafhængigt for kvalitet. Vores produkter fremstilles med brug af et kvalitetssystem, der opfylder kravene i henhold til ISO 9001.

### Din reklamationsret

Garantibetingelserne for dette apparat er som defineret af vores repræsentant i det land, hvor det er solgt. Oplysninger vedrørende disse betingelser kan indhentes hos den forhandler, apparatet er købt hos. Kvitteringen skal fremvises i forbindelse med ethvert krav under disse garantibetingelser.

Ret til ændringer uden varsel forbeholdes.

## INSTRUKSJONER FOR SIKKER BRUK

Dette apparatet må kun brukes til husrengjøring, og slik denne bruksanvisningen beskriver. Sørg for at denne veiledningene er forstått fullstendig før du bruker apparatet.

Apparatet må ikke forlates mens det er tilkoblet strømmettet. Slå alltid av apparatet og koble fra støpselet etter bruk samt før apparatet rengjøres eller vedlikeholdes.

Apparatet kan brukes av barn fra 8 år, og av personer med nedsatte fysiske, sanselige eller mentale evner, eller manglende erfaring og kunnskap, dersom de er under oppsyn eller har fått opplæring i sikker bruk av apparatet og forstår farene bruk av apparatet kan medføre. Barn skal ikke leke med apparatet. Rengjøring og vedlikehold skal ikke utføres av barn uten oppsyn.

Bruken av apparatet må opphøre umiddelbart dersom strømledningen er skadet. Unngå sikkerhetsfarer ved å la en autorisert HOOVER-tekniker skifte ut strømledningen.

Hold hender, føtter, løse klær og hår unna roterende børster.

Bruk kun tilbehør, forbruksvarer eller reservedeler som anbefales eller leveres av HOOVER.

**Statisk elektrisitet:** Enkelte tepper kan bygge opp små mengder statisk elektrisitet. Utladning av statisk elektrisitet er ikke helseskadelig.

Du må ikke bruke apparatet utendørs, på våte overflater eller til å støvsuge væske.

Du må ikke støvsuge harde eller skarpe objekter, varm aske, sigarettneiper eller andre liknende gjenstander.

Apparatet må ikke utsettes for eller støvsuge opp brennbare væsker, rengjøringsmidler, aerosoler eller damp fra slike væsker.

Unngå å kjøre over ledningen eller trekke ut støpselet under bruk.

All bruk av apparatet må opphøre hvis det viser tegn på feilfunksjon.

**HOOVER-service:** For å sikre at apparatet fortsetter å fungerer på en trygg og effektiv måte, anbefaler vi at service- og reparasjonsarbeid kun utføres av autoriserte HOVER-teknikere.

Du må ikke stå på ledningen eller la den vikle seg rundt armene eller bena dine under bruk.

Du må ikke bruke apparatet til å rengjøre dyr eller mennesker.

Apparatet må ikke være plassert ovenfor deg under rengjøring av trapper.

### Miljøet

Symbolet på dette apparatet indikerer at det ikke kan betraktes som husholdningsavfall. Ved avhending må apparatet overleveres til en egnet miljøstasjon for resirkulering av elektrisk og elektronisk utstyr. Avhendingen må gjennomføres i samsvar med lokale miljøforskrifter for avfallshåndtering. Du kan få mer detaljert informasjon om avfallsbehandling, gjenvinning og resirkulering av dette apparatet ved å ta kontakt med vårt nærmeste lokalkontor, renovasjonsetaten eller forretningen du kjøpte apparatet hos.



**CE** Dette apparatet er i overensstemmelse med EU-direktivene 2006/95/EC, 2004/108/EC og 2011/65/EU.

HOOVER Limited, Pentrebach, Merthyr Tydfil, Mid Glamorgan, CF48 4TU, UK

## BLI KJENT MED STØVSUGEREN DIN

- A. Støvsugerens hoveddel
- B. Bærehåndtak
- C. Støvbeholder
- D. Støvbeholderhåndtak og lås
- E. På/av-knapp
- F. Ledningsknapp
- G. Filterdør
- H. Lås for filterdør
- I. Pre-Motor filterpakke
- J. Dør for avgassfilter
- K. Avgassfilter
- L. Parkeringsspor
- M. Håndtak
- N. Innsugkontroll
- O. Teleskoprør
- P. Teleskoprørjustering
- Q. Munnstykke til teppe og gulv (GP)\*\*
  - Q1. Munnstykke for harde gulv (CA)\*\*
  - Q2. Dyse for harde gulv (HF)\*\*
- R. Overflatevelger\*\*
- S. Slange
- T1. Flatt munnstykke\*
- T2. Støvbørste\*
- U. Miniturbomunnstykke for dyrehår\*
- V. Miniturbomunnstykke for allergen\*
- W. Stort turbomunnstykke\*
- X. Munnstykke for parkett\*

## MONTERE STØVSUGEREN

Fjern alle komponenter fra emballasjen.

1. Koble slangen til støvsugerens hoveddel. [2]
2. Koble til den ene enden av slangen til navigeringshåndtaket [3].
3. Koble den andre enden av slangen til munnstykket for teppe og gulv. [4]

## BRUK AV STØVSUGEREN

1. Trekk ut strømledningen og sett den inn i stikkkontakten. Ikke trekk ledningen utover det røde merket. [5]
2. Hold i skaftet og beveg det midtre håndtaket opp eller ned for å justere teleskoprøret til ønsket høyde. [6]
3. Velg overflatetype som skal renses ved å trykke på pedalen på munnstykket. [7]
  - Hardt gulv – Børstene senkes for å beskytte gulvet.
  - Teppe – Børstene heves for dyp rengjøring.
4. Slå på støvsugerens ved å trykke på på/av-knappen på støvsugerens hoveddel. [8]
5. Juster suget ved å flytte sugeregulatoren til ønsket nivå. [9]
6. Slå av når du er ferdig med å bruke den ved å trykke på på/av-knappen. Koble 6. fra ledningen og trykk på ledningsknappen for at ledningen skal kveiles opp i støvsugerens. [10]
7. Når du skal sette unna støvsugerens, still teleskoprøret til laveste høydestilling og sett munnstykket i oppbevaringsposisjon på støvsugerens hoveddel. [11]

## TILBEHØR

For å oppnå optimal ytelse og energieffektivitet<sup>#1</sup> anbefales det at det brukes riktig munnstykke for de største rengjøringsjobbene.

Munnstykkene indikeres i diagrammene med bokstavene **GP**, **HF** eller **CA**.

Et **GP**-munnstykke kan brukes til å støvsuge både tepper og harde gulv.

Et **HF**-munnstykke egner seg kun for bruk på harde gulv.

Et **CA**-munnstykke egner seg kun for bruk på tepper.

De andre munnstykkene er tilbehør for spesialiserte rengjøringsjobber. Det anbefales kun å bruke disse til spesialiserte oppgaver.

Det er viktig å merke seg at denne støvsugerens leveres med en energietikett, slik det kreves av Euforskrift (EU) 665/2013.

Hvis etiketten viser en rød "forbudt"-sirkel over teppesymbolet på venstre side, betyr dette at støvsugerens ikke er egnet for bruk på tepper.

Hvis etiketten viser en rød "forbudt"-sirkel over symbolet for harde gulv på høyre side, betyr dette at støvsugerens ikke er egnet for bruk på harde gulv..

<sup>#1</sup> **MERK:** Evne til å støvsuge på tepper, evne til å støvsuge på harde gulv og energieffektivitet i henhold til kommisjonsforordningene (EU) 665/2013 og (EU) 666/2013.

Referer til modellspesifikasjonene på emballasjeetiketten for inkludering av tilbehør for individuelle modeller. Alle tilbehør kan fås kjøpt separat fra Hoover. (Se seksjonen med Hoover reservedeler og forbruksartikler).

Alt tilbehør kan monteres på enden av slangen eller enden på teleskoprøret.

\*Bare enkelte modeller

\*\*Kun for enkelte modeller. Munnstykkene kan variere fra modell til modell

**Flatt munnstykke**, – til hjørner og steder som er vanskelige å komme til. [12]

**Støvbørste** – for bokhyller, rammer, tastatur og andre ømfintlige områder. For å forlenge børstene trykk på knappen på kroppen på verktøyet. [13]

**Munnstykke for parkett\*** – for parkettgulv og andre ømtålige gulv. [1X]

**Stort turbomunnstykke\*** – bruk turbomunnstykket til dyp rengjøring av tepper. [1W]

**Miniturbomunnstykke for dyrehår\*** - Bruk miniturbomunnstykket i trapper eller for dyp rengjøring av tekstiler og andre områder som er vanskelige å rengjøre. Er spesielt godt egnet til fjerning av dyrehår. [1U]

**Miniturbomunnstykke for allergen\*** – Bruk miniturbomunnstykket i trapper eller for dyp rengjøring av tekstiler og andre områder som er vanskelige å rengjøre, spesielt egnet for fjerning av allergener. [1V]

**VIKTIG:** Ikke bruk turbo- og miniturbomunnstykkene på tepper med lange frynser, dyreskinn eller på tepper med en tråddybde på mer enn 15 mm. Munnstykket må holdes i stadig bevegelse mens børsten roterer.

## VEDLIKEHOLD AV STØVSUGEREN

### Tømme støvbeholderen

Når støvet når indikatoren for maksimalnivået i beholderen, må støvbeholderen tømmes..

**VIKTIG:** For å vedlikeholde optimal ytelse, ikke la støvmengden komme høyere opp enn maksimalnivået.

1. Løsne beholderens bærehåndtak ved å løfte midtlåsen for å fjerne støvbeholderen fra hovedrenseren og dra oppover for å fjerne den. [14]
2. Hold støvbeholderen over en bøtte med en hånd, og med den andre drar du støvbeholderens låsemekanisme for å åpne døren og tømme den. [15]
3. Lukk støvbeholderdøren, og sett støvbeholderen tilbake i støvsugerens hoveddel. For å låse på plass, trykker du på beholderens bærehåndtak til låsene kobles med hovedkroppen til støvsugeren. Når det er korrekt tilkoblet vil bærehåndtaket jevnt med toppen på støvsugeren.

### Rengjøring av de vaskbare filtrene

Støvsugeren er montert med to blå hepa-filterpakker. For å oppnå optimal rengjøring regelmessig, fjern filtrene og bank forsiktig mot siden av en søppelbøtte for å frigjøre støvet. Filtrene skal vaskes hver tredje måned, eller når filteret har ekstra mye støv.

**VIKTIG:** Jevnlig kontroller og oppretthold filtrene.

**VIKTIG:** Påse alltid at filterpakken er fullstendig tørr før bruk.

### For å få tilgang til Pre-Motor filteret:

**MERK:** Sikre at bærehåndtaket er i posisjon ned før du åpner filterdøren.

1. Lås opp filterdøren ved å trekke filterlåsene oppover. Åpne filterdøren. [16]
2. Fjern filterpakken ved å trykke ned på hjelpeåsene for å løsne den. Filterpakken spretter

\*Bare enkelte modeller

\*\*Kun for enkelte modeller. Munnstykkene kan variere fra modell til modell

3. opp. Skyv filterpakken ut. [17]
4. Løsne filterpakkens ramme.
5. Fjern HEPA-mikrofilteret fra pakkerammen og vask mikrofilteret for hånd med varmt vann. Ikke bruk for varmt vann eller vaskemidler. Tørk bort overflødig vann fra filteret, og la det tørke helt før du bruker det på nytt. [20]
5. Sett sammen filterpakken igjen etter at den har tørket helt, og sett den inn i støvsugeren igjen. Trykk på toppen av filteret for å sikre at det klikker tilbake på plass.

### Gjør følgende for å få tilgang til utsugingsfilteret:

1. Lås opp døren til avgassfilteret ved å vri på døren langs pilen som vist. [18]
2. Fjern filterpakken fra fordypningen. [19]
3. Bank forsiktig på den blå HEPA-filterenheten. Ikke bruk for varmt vann eller vaskemidler. Tørk bort overflødig vann fra filteret, og la det tørke helt før du bruker det på nytt. [20]
4. Sett sammen filterpakken igjen etter at den har tørket helt, og sett den inn i støvsugeren igjen.

**VIKTIG:** Ikke bruk produktet uten montert filterpakke.

### Rengjøre Airvolution separasjonssenheter

Denne støvsugeren bruker et Airvolution separasjonssystem som kun brukes av Hoover. Separasjonssenheten kan om nødvendig løsnes fra støvbeholderen for å rengjøres.

1. Fjern støvbeholderen fra støvsugeren ved å løsne beholderens bærehåndtak for å koble fra støvbeholderen fra hovedrenseren, og dra oppover for å ta den bort. [14]
2. Sett bøtten på en flat overflate og løsne klipsene fra hver side på støvbeholderen. [21]
3. Bruk bøttens håndtak til å løfte den øvre delen som inneholder separasjonssenheten fra den nedre seksjonen. [22]
4. Bruk en klut for å fjerne støv fra overflaten på separasjonssenheten. [23]
5. Demonter bøttens øvre seksjon. Vipp klipsene bakover for å åpne bøtten helt. [24]
6. Sett støvbeholderen tilbake på støvsugeren. For å låse på plass, trykker du på beholderens bærehåndtak til låsene kobles med hovedkroppen til støvsugeren. Når det er korrekt tilkoblet vil bærehåndtaket jevnt med toppen på støvsugeren.

### Fjerne en tilstopping

1. Kontroller om støvbeholderen er full. Hvis det er tilfellet, sjekk "Tømme støvbeholderen".
2. Hvis støvbeholderen er tom men sugekraften er dårlig:
  - A. Trenger filteret å bli rensset? Hvis det er tilfellet, sjekk "Rense de vaskbare filterene".
  - B. Kontroller om det finnes andre tilstoppinger i systemet - bruk en stake eller annen lang gjenstand til å fjerne tilstoppingen fra røret eller slangen.
  - C. Kontroller om pre-motorfilteret er satt inn og filterdøren er lukket.
  - D. Kontroller om separasjonssenheten trenger å rengjøres. Se kapittelet "Rengjøre separasjonssenheten".

## SJEKKLISTE FOR BRUKER

Hvis du har problemer med produktet, går du gjennom denne enkle kontrollisten før du ringer ditt lokale Hoover-servicekontor.

- Får støvsugeren tilført strøm? Prøv å koble annet elektrisk utstyr til stikkkontakten.
- Er støvbeholderen overfylt? Vennligst sjekk "Vedlikehold av Støvsugeren".
- Er filteret blokkert? Vennligst sjekk "Vedlikehold av Støvsugeren".
- Er slangen eller munnstykket blokkert? Vennligst sjekk "Fjern en blokkering fra systemet".
- Er støvsugeren overopphetet? Hvis det er tilfellet vil det ta omtrent 30 minutter før den blir automatisk nullstilt.

## VIKTIGE OPPLYSNINGER

### Originaldeler fra Hoover

Bruk alltid originale deler fra Hoover. Disse er tilgjengelige fra din lokale Hoover-forhandler eller direkte fra Hoover. Når du bestiller deler, må du alltid oppgi modellnummeret ditt.

Pre-Motor Filter	S112	35601238
Purefilt Exhaust Filter	T106	35601238
Complete Flexible Hose	D122	35601055
Carpet & Floor Extra Nozzle	G202EE	35601595
Carpet & Floor Smart Nozzle	G217SE	35601610
Hard Floor Extra Nozzle	G207EE	35601600
Hard Floor Smart Nozzle	G206SE	35601599
Carpet Extra Nozzle	G210EE	35601603
Parquet Extra Nozzle	G90PCB	35600934
Mini Turbo Nozzle	J32	35600817
Turbo Nozzle	J57	35601239

### Hoover-service

Hvis du på noe tidspunkt skulle trenge service, ber vi deg kontakte ditt lokale Hoover-servicekontor.

### Kvalitet

BSI ISO 9001

Hoovers fabrikker har blitt uavhengig kvalitetsvurdert. Våre produkter produseres ved å bruke et kvalitetssystem som er i samsvar med ISO 9001.

### Din garanti

Garantibetingelsene for dette apparatet er som definert av vår representant i det landet der det ble solgt. Detaljer vedrørende disse betingelsene fås fra forhandleren der apparatet ble kjøpt. Salgskvitteringen må fremvises ved fremsetting av krav under betingelsene i denne garantien.. Kan endres uten forvarsel.



## INSTRUKTIONER FÖR SÄKER ANVÄNDNING

Som beskrivs i denna bruksanvisning, får denna apparat endast användas vid städning av hemmet. Se till att du förstår anvisningarna helt innan du börjar använda maskinen.

Lämna aldrig denna apparat inkopplad. Stäng alltid av apparaten och dra ut kontakten ur vägguttaget efter användning eller innan rengöring av produkten eller utföring av en underhållsåtgärd.

Den här apparaten kan användas av barn från 8 års ålder och personer med en nedsatt fysisk, sensorisk eller mental förmåga och som inte har den erfarenhet och kunskaper som behövs, förutsatt att de övervakas eller har fått instruktioner om hur apparaten används på ett säkert vis och förstår riskerna som är involverade. Barn får inte leka med apparaten. Rengöring och underhåll som användaren ska utföra, får inte göras av barn utan överinseende.

Om nätsladden är skadad, sluta då omedelbart att använda produkten. För att undvika en säkerhetsrisker, måste en auktoriserad servicetekniker från HOOVER byta nätsladden.

Håll händer, fötter, lösa klädesplagg och hår borta från roterande borstar.

Använd endast tillbehör, förbrukningsartiklar eller reservdelar som rekommenderas eller levererats av HOOVER.

**Statisk elektricitet:** Vissa mattor kan orsaka en liten uppbyggnad av statisk elektricitet. Elektrostatiske urladdningar är inte hälsofarliga.

Använd inte apparaten ut ur dörrar eller på något vått underlag eller för våtupptagning.

Plocka inte upp hårda eller vassa föremål, tändstickor, het aska, fimpar eller andra liknande föremål.

Plocka inte upp eller spraya med brandfarliga vätskor, rengöringsmedel, aerosoler eller ångor.

Kör inte över sladden när du använder apparaten eller dra ut kontakten genom att dra i sladden.

Fortsätt inte att använda apparaten om den verkar defekt.

**HOOVER service:** För att säkerställa en fortsatt säker och effektiv drift av denna apparat rekommenderar vi att service eller reparationer endast utförs av en auktoriserad servicetekniker från HOOVER.

Stå inte på sladden eller vira den runt armar eller ben när du använder apparaten.

Använd inte apparaten för att rengöra djur eller människor.

Placera inte apparaten ovanför dig när du rengör trappor.

### Miljön

Symbolen på apparaten indikerar att denna produkt inte får behandlas som hushållsavfall. Den måste i stället lämnas in på uppsamlingsplats för återvinning av elektrisk och elektronisk utrustning. Avfallshanteringen ska utföras enligt de lokala miljöbestämmelserna. För mer information om hantering, återvinning och återanvändning av denna produkt, kontakta din kommun, lokala myndigheter och renhållningsverk eller den butik där du köpte apparaten.



**CE** Denna apparat uppfyller de europeiska direktiven 2006/95/EG, 2004/108/EG och 2011/65/EU.

HOOVER Limited, Pentrebach, Merthyr Tydfil, Mid Glamorgan, CF48 4TU, UK

## BEKANTA DIG MED DAMMSUGAREN

- A. Dammsugarkroppen
- B. Bärhandtag
- C. Dammbehållare
- D. Handtag till dammbehållare och spärr
- E. På/av-knapp
- F. Knapp för sladdindragning
- G. Filterlucka
- H. Spärr för filterlucka
- I. Förmotorfilterpack
- J. Lucka till utblåsningsfilter
- K. Utblåsningsfilter
- L. Parkeringshake
- M. Handtag
- N. Sugkontroll
- O. Teleskoprör
- P. Teleskoprörsreglage
- Q. Matt- och golvmunstycke (**GP**)\*\*
  - Q1. Munstycke för mattor (**CA**)\*\*
  - Q2. Munstycke för hårda golv (**HF**)\*\*
- R. Ytväljare\*\*
- S. Slang
- T1. Verktyg för springor\*
- T2. Dammborste\*
- U. Miniturbomunstycke för borttagning av djurhår\*
- V. Allergenavlägsnande miniturbomunstycke\*
- W. Stort turbomunstycke\*
- X. Parkettmunstycke\*

## SÄTTA IHOP DAMMSUGAREN

Ta ur alla delar ur förpackningen.

1. Koppla i slangen i dammsugarkroppen och se till. [2]
2. Koppla rörets övre ände till navigeringshandtaget [3].
3. Koppla rörets nedre ände till matt- och golvmunstycket. [4]

## ANVÄNDA DAMMSUGAREN

1. Dra ur nätsladden och koppla in den i ett vägguttag. Dra inte ut sladden längre än till den röda markeringen. [5]
2. Justera teleskopröret till önskad höjd genom att hålla i handtaget och flytta handtaget i mitten uppåt eller nedåt. [6]
3. Ställ in vilken typ av yta som ska rengöras genom att trycka på pedalen i munstycket. [7]
  - Hårt golv – Borstarna sänks ned för att skydda golvet.
  - Matta – Borstarna dras upp för att ge djup rengöring.
4. Slå på dammsugaren med På/av-knappen på dammsugarkroppen. [8]
5. Ställ in sugeffekten genom att skjuta sugregleraren till önskad nivå. [9]
6. När du är klar stänger du av dammsugaren med På/av-knappen. Dra ur kontakten och tryck på knappen för sladdindragning för att dra in sladden i dammsugaren igen. [10]
7. När du ställer undan dammsugaren skjuter du ihop teleskopröret till den kortaste inställningen och parkerar munstycket i förvaringsläge på dammsugarkroppen. [11]

## TILLBEHÖR

For å oppnå optimal ytelse og energieffektivitet<sup>#1</sup> anbefales det at det brukes riktig munnstykke for de største rengjøringsjobbene.

Munnstykkene indikeres i diagrammene med bokstavene **GP**, **HF** eller **CA**.

Et **GP**-munnstykke kan brukes til å støvsuge både tepper og harde gulv.

Et **HF**-munnstykke egner seg kun for bruk på harde gulv.

Et **CA**-munnstykke egner seg kun for bruk på tepper.

De andre munnstykkene er tilbehør for spesialiserte rengjøringsjobber. Det anbefales kun å bruke disse til spesialiserte oppgaver.

Det er viktig å merke seg at denne støvsugeren leveres med en energietikett, slik det kreves av EU-forskrift (EU) 665/2013.

Hvis etiketten viser en rød "forbudt"-sirkel over teppesymbolet på venstre side, betyr dette at støvsugeren ikke er egnet for bruk på tepper.

Hvis etiketten viser en rød "forbudt"-sirkel over symbolet for harde gulv på høyre side, betyr dette at støvsugeren ikke er egnet for bruk på harde gulv..

<sup>#1</sup> **MERK:** Evne til å støvsuge på tepper, evne til å støvsuge på harde gulv og energieffektivitet i henhold til kommisjonsforordningene (EU) 665/2013 og (EU) 666/2013.

Se modellspefikasjonen på forpackningsetiketten for att ta reda på vilka tillbehör som medföljer de olika modellerna. Alla tillbehör kan köpas separat från Hoover. (Se avsnittet Reserv- och förbrukningsdelar från Hoover.).

\*Endast vissa modeller

\*\*Endast vissa modeller, munstycken kan variera beroende på modell

Alla tillbehör kan monteras i änden av slangens eller i änden av teleskopröret.

**Verktyg för springor** – För hörn och svåråtkomliga utrymmen. [12]

**Dammborste** – För bokhyllor, ramar, tangentbord och andra känsliga utrymmen. Fäll ut borstarna genom att trycka på knappen på verktygets kropp. [13]

**Parkettmunstycke\*** – För parkettgolv och andra känsliga golv. [1X]

**Stort turbomunstycke\*** – Använd turbomunstycket för djuprengöring av mattor. [1W]

**Miniturbomunstycke för borttagning av djurhår\*** – Använd miniturbomunstycket i trappor eller för djuprengöring av textilytor och andra svårrengjorda ytor. Särskilt lämpligt för borttagning av djurhår. [1U]

**Allergenavlägsnande miniturbomunstycke\*** – Använd miniturbomunstycket i trappor eller för djuprengöring av textilytor och andra svårrengjorda ytor. Det är särskilt lämpligt för allergenborttagning. [1V]

**VIKTIGT:** Använd inte turbo- och miniturbomunstycket på mattor med långa fransar, djurfällor eller mattor med högre lugg än 15 mm. Håll inte munstycket stilla på en plats när borsten roterar.

## UNDERHÅLL AV DAMMSUGAREN

### Tömma dammbehållaren

När dammet når maxnivån tömmer du dammbehållaren.

**VIKTIGT:** För att bibehålla optimal kapacitet får dammet inte överskrida maxnivån.

1. Lossa behållarens bärhandtag genom att lyfta mitthandtaget för att lossa dammbehållaren från dammsugaren och dra uppåt för att lossa. [14]
2. Håll dammbehållaren över en soptunna med ena handen och dra i spärren med den andra så att luckan öppnas och behållaren töms. [15]
3. Stäng dammbehållarens lucka och sätt tillbaka behållaren på dammsugaren. Lås fast den genom att trycka ner behållarens bärhandtag tills spärren kommer i kontakt med dammsugarkroppen. När handtaget är ordentligt nedtryckt ska det vara i linje med dammsugarens överdel.

### Rengöra de tvättbara filtren

Dammsugaren har två blåa hepafiltersatser. För att bibehålla den optimala rengöringskapaciteten bör du regelbundet ta bort filtren och knacka dem mot soptunnans innerkant för att få bort damm. Filtren ska tvättas var 3:e månad eller när filtren blir för dammiga.

**VIKTIGT:** Kontrollera och underhåll filtren regelbundet.

**VIKTIGT:** Se alltid till att filtersatsen är helt torr innan du använder den.

### Så här kommer du åt förmotorfiltret:

**OBS!** Kontrollera att bärhandtaget är i det nedre läget innan du öppnar filterluckan.

1. Lås upp filterluckan genom att dra filterspärren uppåt. Öppna filterluckan. [16]
2. Ta bort filtersatsen genom att trycka ner spärren så att den släpper. Filtersatsen fjädrar

upp. Dra ut filtersatsen. [17]

3. Lossa filtersatsens ram.
4. Avlägsna HEPA-mikrofiltret från ramen och skölj det i varmt vatten. Använd inte hett vatten eller rengöringsmedel. Ta bort överflödigt vatten från filtret och låt det torka helt innan du använder det igen. [20]
5. Montera ihop filterpaketet igen när det är helt torrt och sätt tillbaka det på dammsugaren. Tryck ovanpå filtret så att det knäpper i läge.

### Så här kommer du åt utblåsningsfiltret:

1. Lås upp utblåsningsfilterluckan genom att rotera dörren längs med pilen. [18]
2. Ta bort filtersatsen. [19]
3. Knacka lätt på den blå Hepa-filterenheten och tvätta den. Använd inte hett vatten eller rengöringsmedel. Remove excess water from the filter and leave to dry fully before reusing. [20]
4. Montera ihop filterpaketet igen när det är helt torrt och sätt tillbaka det på dammsugaren.

**VIKTIGT:** Använd inte produkten utan filtersatsen.

### Rengöra Airvolution-separationsenheten

Den här dammsugaren använder ett Airvolution-separationssystem som är unikt för Hoover. Om det är nödvändigt kan Airvolution-separationsenheten monteras bort från dammbehållaren och rengöras.

1. Ta bort dammbehållaren från dammsugaren genom att lossa bärhandtaget så att du kan lossa dammbehållaren från dammsugarkroppen och dra uppåt för att ta bort den. [14]
2. Placera dammbehållaren på en plan yta och lossa klämmorna på behållarens sidor. [21]
3. Använd handtaget på dammbehållaren för att lyfta bort överdelen, med separationsenheten, från nederdelen. [22]
4. Torka bort damm från separationsenheten yta med en trasa. [23]
5. Sätt tillbaka dammbehållarens överdel. Tryck tillbaka klämmorna så att dammbehållaren stängs helt. [24]
6. Sätt tillbaka dammbehållaren på dammsugaren. Lås fast den genom att trycka ner behållarens bärhandtag tills spärren kommer i kontakt med dammsugarkroppen. När handtaget är ordentligt nedtryckt ska det vara i linje med dammsugarens överdel.

### Åtgärda stopp

1. Kontrollera om dammbehållaren är full. Gå i så fall till "Tömma dammbehållaren".
2. Om dammbehållaren är tom och sugkraften ändå är låg:
  - A. Behöver filtren rengöras? Gå i så fall till avsnittet "Rengöra de tvättbara filtren".
  - B. Kontrollera om det är något annat stopp i systemet. - Använd en stång eller liknande för att ta bort det som eventuellt blockerar teleskopröret eller den böjliga slangens.
  - C. Kontrollera att förmotorfiltret sitter på plats och filterluckan är stängd.
  - D. Kontrollera om cyklonenheten behöver rengöras. Se "Rengöra separationsenheten".

\*Endast vissa modeller

\*\*Endast vissa modeller, munstycken kan variera beroende på modell

## CHECKLISTA FÖR ANVÄNDAREN

Om du får problem med produkten fyller du i den här enkla kontrollistan innan du ringer till den lokala Hoover-servicerepresentanten.

- Har dammsugaren tillgång till fungerande strömförsörjning? Kontrollera genom att koppla in en annan eldriven apparat.
- Är dammbehållaren överfylld? Se "Underhåll av dammsugaren".
- Är filtret igensatt? Se "Underhåll av dammsugaren".
- Är slangen eller munstycket igensatt? Se "Ta bort ett stopp i systemet".
- Är dammsugaren överhettad? Om så är fallet tar det cirka 30 minuter för en automatisk återställning.

## VIKTIG INFORMATION

### Reserv- och förbrukningsdelar från Hoover

Använd alltid originaldelar från Hoover vid byte. Du kan beställa delar från närmaste Hoover-återförsäljare eller direkt från Hoover. Uppge alltid modellnummer när du beställer delar.

Pre-Motor Filter	S112	35601238
Purefilt Exhaust Filter	T106	35601238
Complete Flexible Hose	D122	35601055
Carpet & Floor Extra Nozzle	G202EE	35601595
Carpet & Floor Smart Nozzle	G217SE	35601610
Hard Floor Extra Nozzle	G207EE	35601600
Hard Floor Smart Nozzle	G206SE	35601599
Carpet Extra Nozzle	G210EE	35601603
Parquet Extra Nozzle	G90PCB	35600934
Mini Turbo Nozzle	J32	35600817
Turbo Nozzle	J57	35601239

### Hoover-service

Kontakta ditt närmaste Hoover-servicekontor om du behöver service.

### kvalitet

BSI ISO 9001

Hoovers fabriker har kvalitetsbedömts av oberoende organisationer. Våra produkter tillverkas enligt ett kvalitetssystem som uppfyller kraven för ISO 9001.

### Garanti

Garantivillkoren för produkten definieras av vår representant i det land där produkten säljs. Du kan få uppgifter om aktuella villkor från återförsäljaren. Kvittot måste visas upp när man kräver ersättning enligt garantin.

Uppgifterna kan ändras utan föregående meddelande.

## OHJEET TURVALLISTA KÄYTTÖÄ VARTEN

Tämä laite on tarkoitettu ainoastaan kotikäyttöön tämän käyttöoppaan kuvaamalla tavalla. Tutustu tähän käyttöoppaaseen huolellisesti ennen laitteen käyttöä.

Älä jätä laitetta kytketyksi virtaan. Kytke laitteesta virta ja irrota virtajohto virtalähteestä aina käytön jälkeen ja ennen kuin puhdistat laitteen tai teet huoltotoimenpiteitä.

Tätä laitetta voivat käyttää yli 8-vuotiaat lapset ja henkilöt joilla on vähentynyt fyysinen, aistillinen tai henkinen kyky tai ei kokemusta tai tietoja, mikäli näille on annettu ohjausta ja valvontaa koskien laitteen turvallista käyttöä ja ymmärtävät käyttöön liittyvät vaaratekijät. Lapset eivät saa leikkiä laitteella. Käyttäjän suorittamaan puhdistusta ja huoltoa ei tule suorittaa lasten toimesta ilman valvontaa.

Lopeta laitteen käyttö välittömästi, jos virtajohto on vahingoittunut. Turvallisuusriskin välttämiseksi valtuutetun Hoover-huoltoliikkeen tulee vaihtaa virtajohto.

Pidä kädet, jalat, löysät vaatteet ja hiukset loitolla pyörivistä harjoista.

Käytä ainoastaan Hooverin toimittamia tai suosittelemia kiinnityskappaleita, lisävarusteita tai varaosia.

**Staattinen sähkö:** Jotkin matot voivat aiheuttaa vähäisen määrän staattista sähköä. Staattisen sähkön purkaus ei ole vaarallista terveydelle.

Älä käytä laitettasi ulkona tai märällä alustalla. Älä imuroi nesteitä.

Älä imuroi kovia tai teräviä esineitä, tulitikkuja, kuumaa tuhkaa, tupakantumppeja tai muita vastaavia esineitä.

Älä ruiskuta laitteelle tai imuroi laitteella syttyviä nesteitä, puhdistusnesteitä, aerosoleja tai näiden höyryjä.

Älä aja laitteella verkkojohdon yli tai irrota pistoketta virtalähteestä johdosta vetämällä.

Älä käytä laitetta, jos se vaikuttaa vialliselta.

**HOOVER-huolto** Laitteen käyttöturvallisuuden ja tehokkaan toiminnan varmistamiseksi huolto ja korjaukset kannattaa antaa valtuutetun Hoover-huoltoliikkeen tehtäväksi.

Älä seiso johdon päällä tai kierrä sitä käsien tai jalkojen ympärille laitetta käyttäessäsi.

Älä käytä laitetta ihmisten tai eläinten puhdistamiseen.

Älä aseta laitetta yläpuolellesi, kun imuroit portaita.

### Ympäristö

Tässä laitteessa oleva symboli osoittaa, että laitetta ei saa hävittää kotitalousjätteenä. Se täytyy luovuttaa sähkö- ja elektroniikkalaitteiden keräyspisteeseen kierrätystä varten. Hävittäminen on suoritettava paikallisten jätteiden hävittämistä koskevien ympäristösäännösten mukaisesti. Saat lisätietoja tämän laitteen käsittelemisestä, hyötykäytöstä ja kierrätyksestä paikallisilta viranomaisilta, kotitalouksien ja muiden jätteiden jätehuollosta tai liikkeestä, josta ostit laitteen.



**CE** Tämä laite on valmistettu Euroopan direktiivien 2006/95/EY, 2004/108/EY ja 2011/65/EU mukaisesti.

HOOVER Limited, Pentrebach, Merthyr Tydfil, Mid Glamorgan, CF48 4TU, UK

## IMURIN OSAT

- A. Imurin runko
- B. Kantokahva
- C. Pölykasetti
- D. Pölykasetin kahva ja salpa
- E. Käynnistyspainike
- F. Johdon kelauspainike
- G. Suodattimen luukku
- H. Suodattimen luukun salpa
- I. Moottorin edessä oleva suodatinpakkaus
- J. Poistosuodattimen ovi
- K. Poistosuodatin
- L. Kiinnitysura
- M. Kahva
- N. Imutehon säätö
- O. Teleskooppiputki
- P. Teleskooppiputken sovitin
- Q. Matto- ja lattiasuulake (GP)\*\*
  - Q1. Mattosuulake (CA)\*\*
  - Q2. Lauta- tai laminaattilattian suulake (HF)\*\*
- R. Pinnan valitsin\*\*
- S. Letku
- T1. Rakosuutin\*
- T2. Pölysuutin\*
- U. Pieni eläinkarvatehosuutin\*
- V. Pieni allergiatehosuutin\*
- W. Tehosuutin\*
- X. parkettisuutin\*

## IMURIN KOKOAMINEN

Pura kaikki osat pakkauksesta.

1. Liitä letku imurin runkoon ja varmista. [2]
2. Liitä putken yläpää käsikahvaan [3].
3. Liitä matto- ja lattiasuutin putken alapäähän. [4]

## IMURIN KÄYTTÖ

1. Vedä verkkojohto esiin ja kytke pistoke virtalähteeseen. Vedä johto ulos enintään punaiseen merkkiin asti. [5]
2. Säädä teleskooppiputki sopivalle korkeudelle pitämällä kiinni kahvasta ja siirtämällä keskikädensijaa ylös tai alas. [6]
3. Valitse imuroitavan pinnan tyyppi painamalla suuttimen jalkakytäkintä. [7]
  - Kova lattia: – Harjakset ovat alhaalla lattian suojaamiseksi.
  - Matto: – Harjakset ovat ylhäällä parhaan imutehon saavuttamiseksi.
4. Käynnistä imuri painamalla rungon käynnistyspainiketta. [8]
5. Säädä imutehoa liu'uttamalla imutehon säädin halutulle tasolle. [9]
6. Sammuta imuri painamalla käynnistyspainiketta uudestaan. Irrota pistoke virtalähteestä ja kelaajasta takaisin imuriin painamalla kelauspainiketta. [10]
7. Säädä teleskooppiputki alimpaan asentoon ja kiinnitä suutin imurin rungon pidikkeeseen säilytystä varten. [11]

## LISÄVARUSTEET

Parhaan suorituskyvyn ja energiatehokkuuden<sup>#1</sup> saavuttamiseksi on suositeltavaa käyttää oikeanlaisia suulakkeita.

Kaavioissa näihin suulakkeisiin viitataan kirjainyhdistelmillä **GP**, **HF** ja **CA**.

Suulaketyyppi **GP** soveltuu sekä mattojen että kovan lattian puhdistukseen.

Suulaketyyppi **HF** soveltuu ainoastaan kovan lattian puhdistukseen.

Suulaketyyppi **CA** soveltuu ainoastaan mattojen puhdistukseen..

Muut suulakkeet ovat lisävarusteita erityisiä puhdistustoimenpiteitä varten ja niitä suositellaan käytettävän vain satunnaisesti.

On tärkeää huomata, että tällä imurilla on komission asetuksen (EU) 665/2013 mukainen energiamerkintä.

Jos energiamerkin vasemmassa laidassa on matto-symbolin peittävä pu-nainen kieltoympyrä, imuri ei sovellu käytettäväksi matoilla.

Jos energiamerkin oikeassa laidassa on kova lattia -symbolin peittävä pu-nainen kieltoympyrä, imuri ei sovellu käytettäväksi kovalla lattialla.

<sup>#1</sup> **HUOMAA:** Komission asetusten (EU) 665/2013 ja (EU) 666/2013 mukaiset en-ergiatehokkuus, kyky kerätä pöly matolta ja kyky kerätä pöly kovalta lattialta.

Eri laitemallien lisävarusteet luetaan pakkauksen etiketissä. Kaikkia lisävarusteita voi ostaa Hooverilta erikseen. (Lisätietoja on kohdassa Hoover-varaosat ja kulutustarvikkeet.).

Kaikki lisävarusteet sopivat letkun tai teleskooppiputken päähän.

\*Vain joissakin malleissa

\*\*Vain joissakin malleissa, suulakkeet saattavat vaihdella mallista riippuen



**Rakosuutin** – Nurkkia ja vaikeapääsisiä kohteita varten. [12]

**Pölysuutin** – Kirjahyllyjä, kehyksiä, näppäimistöjä ja muita kevyttä imutehoa vaativia paikkoja varten. Harjakset saa esiin painamalla suuttimen painiketta. [13]

**parkettisuutin\*** – Parketin ja muiden arkojen lattiapintojen imurointiin. [1X]

**Tehosuutin\*** – Tehosuuttimen avulla voit syväpuhdistaa mattoja. [1W]

**Pieni eläinkarvatehосуutin\*** - Pienellä tehosuuttimella voit imuroida portaita tai syväpuhdistaa tekstiilipintoja ja muita vaikeasti puhdistettavia paikkoja. Sopii erityisesti eläinkarvojen imurointiin. [1U]

**Pieni allergiatehосуutin\*** – Pienellä tehosuuttimella voit imuroida portaita tai syväpuhdistaa tekstiilipintoja ja muita vaikeasti puhdistettavia paikkoja. Soveltuu erityisen hyvin allergeenien poistoon. [1V]

**TÄRKEÄÄ:** Älä käytä tehosuutinta tai pientä tehosuutinta imuroidessasi pitkähapsullisia mattoja, eläinten taljoja tai mattoja, joiden nukan pituus on yli 15 mm. Älä pidä suutinta paikallaan harjan pyöriessä.

## IMURIN HUOLTO

### Pölykasetin tyhjennys

Tyhjennä pölykasetti, kun pölymäärämittari osoittaa kasetin olevan täynnä.

**TÄRKEÄÄ:** Älä imuroi enää sen jälkeen, kun mittari osoittaa kasetin olevan täynnä.

1. Vapauta pölykasetin kantokahva nostamalla keskisalvasta kasetin irrottamiseksi imurin rungosta, jolloin saat irrotettua sen vetämällä ylöspäin. [14]
2. Pidä pölykasettia roskasäiliön yllä toisessa kädessäsi ja avaa pölykasetin luukku vetämällä toisella kädellä sen salvasta ja tyhjennä kasetti. [15]
3. Sulje pölykasetin luukku ja aseta kasetti takaisin imuriin. Lukitse kasetti paikalleen työntämällä sen kantokahvaa alaspäin, kunnes salpa kiinnittyy imurin runkoon. Pölykasetti on paikallaan, kun kantokahva on imurin yläosan kanssa tasassa.

### Pestävien suodattimien puhdistus

Imurissa on kaksi sinistä Hepa-suodatinpakkausta. Parhaan imutehon takaamiseksi irrota suodattimet säännöllisesti ja poista pöly napauttamalla suodatinta roska-astian reunaan. Pese suodattimet kolmen kuukauden välein tai aina kun niihin on kertynyt liikaa pölyä.

**TÄRKEÄÄ:** Tarkista suodatinten kunto säännöllisesti ja huolla tarvittaessa.

**TÄRKEÄÄ:** Varmista ennen imurointia, että suodatinpakkaus on täysin kuiva.

### Moottorin edessä olevan suodattimen poistaminen:

**HUOMAA:** Varmista, että kantokahva on paikallaan ala-asennossaan ennen kuin avaat suodattimen luukun.

1. Avaa suodattimen luukun lukitus vetämällä suodattimen salpaa ylöspäin. Avaa suodattimen luukku. [16]
2. Irrota suodatinpakkaus painamalla sen kiinnityssalpaa alaspäin. Suodatinpakkaus ponnahtaa ylös. Liu'uta suodatinpakkaus pois paikaltaan. [17]

\*Vain joissakin malleissa

\*\*Vain joissakin malleissa, suulakkeet saattavat vaihdella mallista riippuen

3. Avaa suodatinpakkauksen rungon salpa.
4. Poista HEPA-mikrosuodatin suodatinpakkauksen kehyksestä ja pese se käsin lämpimässä vedessä. Älä käytä kuumaa vettä tai pesuaineita. Poista suodattimesta liika vesi ja anna kuivua kokonaan, ennen kuin käytät sitä uudelleen. [20]
5. Anna kuivua kokonaan, ennen kuin asennat suodattimen takaisin. Paina suodatinta ja varmista, että se naksahtaa takaisin paikalleen.

### Poistosuodattimen puhdistus:

1. Avaa poistosuodattimen luukun lukitus kääntämällä luukku nuolen osoittamaan suuntaan. [18]
2. Irrota suodatinpakkaus syvennyksestä. [19]
3. Napauta sinistä Hepa-suodatinta kevyesti ja pese se. Älä käytä kuumaa vettä tai pesuaineita. Poista suodattimesta liika vesi ja anna kuivua kokonaan, ennen kuin käytät sitä uudelleen. [20]
4. Anna kuivua kokonaan, ennen kuin asennat suodattimen takaisin imuriin.

**TÄRKEÄÄ:** Älä käytä imuria ilman suodatinpakkausta.

### Airvolution-erotusyksikön puhdistus

Tässä imurissa on ainutlaatuinen Hooverin Airvolution-erottelujärjestelmä. Airvolution-erotusyksikkö voidaan tarvittaessa irrottaa pölykasetista puhdistusta varten.

1. Irrota pölykasetti imurista vapauttamalla ensin kasetin kantokahva. Irrota pölykasetti imurista vetämällä ylöspäin. [14]
2. Aseta säiliö tasaiselle pinnalle ja avaa pölykasetin sivuilla olevat salvat. [21]
3. Nosta erotusyksikön sisältävä säiliön yläosa irti alaosasta pölykasetin kahvan avulla. [22]
4. Pyyhi erotusyksikön pinnalle kertynyt pöly liinalla. [23]
5. Kokoa pölykasetin yläosa. Sulje pölykasetti painamalla salvat paikalleen. [24]
6. Asenna pölykasetti paikalleen imuriin. Lukitse kasetti paikalleen työntämällä sen kantokahvaa alaspäin, kunnes salpa kiinnittyy imurin runkoon. Pölykasetti on paikallaan, kun kantokahva on imurin yläosan kanssa samalla tasolla.

### Tukoksen poistaminen

1. Tarkista, onko pölykasetti täynnä. Tyhjennä se tarvittaessa kohdan "Pölykasetin tyhjennys" ohjeiden mukaan.
2. Jos pölykasetti on tyhjä, mutta imuteho on silti heikko:
  - A. Ovatko suodattimet puhdistuksen tarpeessa? Jos ovat, katso lisätietoja kohdasta "Pestävien suodattimien puhdistus".
  - B. Tarkasta, onko järjestelmässä muuta tukosta. - Poista tukos jatkoputkesta tai letkusta kepin tms. avulla.
  - C. Tarkista, että moottorin edessä oleva suodatin on asennettu ja suodattimen luukku on suljettu.
  - D. Tarkasta, tarvitseeko erotusosa puhdistusta. Katso lisätietoja kohdasta "Erotusosan puhdistus".

## VIANMÄÄRITYSLISTA

Jos laitteen käytössä ilmenee ongelmia, käy läpi nämä vianmäärittelyohjeet ennen kuin otat yhteyttä paikalliseen Hoover-huoltoon.

- Toimiiko virtalähde? Tarkista tämä toisella sähkölaitteella.
- Onko pölykasetti liian täynnä? Katso lisätietoja kohdasta "Imurin huolto".
- Onko suodatin tukossa? Katso lisätietoja kohdasta "Imurin huolto".
- Onko letku tai suutin tukossa? Katso lisätietoja kohdasta "Tukoksen poistaminen järjestelmästä".
- Onko imuri ylikuumentunut? Jäähtyminen kestää noin 30 minuuttia.

## TÄRKEÄÄ TIETOA

### Hoover-varaosat ja kulutustarvikkeet

Käytä vain alkuperäisiä Hoover-varaosia. Niitä on saatavana paikalliselta Hoover- jälleenmyyjältä tai suoraan Hooverilta. Mainitse varaosatilauksen yhteydessä imurin tyyppinumero.

Pre-Motor Filter	S112	35601238
Purefilt Exhaust Filter	T106	35601238
Complete Flexible Hose	D122	35601055
Carpet & Floor Extra Nozzle	G202EE	35601595
Carpet & Floor Smart Nozzle	G217SE	35601610
Hard Floor Extra Nozzle	G207EE	35601600
Hard Floor Smart Nozzle	G206SE	35601599
Carpet Extra Nozzle	G210EE	35601603
Parquet Extra Nozzle	G90PCB	35600934
Mini Turbo Nozzle	J32	35600817
Turbo Nozzle	J57	35601239

### Hoover-huolto

Ota huoltoon liittyvissä asioissa yhteyttä paikalliseen Hoover-huoltoon.

### Laatu

Hooverin tuotantolaitoksissa on tehty riippumaton laadunarviointi. Tuotantoprosessimme täyttävät ISO 9001 -laatujärjestelmän vaatimukset.

### Takuu

Tämän laitteen takuuehdot määrittelee ostomaan Hoover-edustaja. Yksityiskohtaiset tiedot näistä ehdoista saa laitteen myyneeltä jälleenmyyjältä. Tämän takuun mukaisia vaateita esitettäessä on esitettävä myyntitodistus tai ostokuitti.

Oikeus muutoksiin pidätetään.

## ΟΔΗΓΙΕΣ ΑΣΦΑΛΟΥΣ ΧΡΗΣΗΣ

Η συσκευή πρέπει να χρησιμοποιείται αποκλειστικά για οικιακή χρήση, σύμφωνα με τις οδηγίες χρήσης. Βεβαιωθείτε ότι κατανοήσατε τις οδηγίες πριν να λειτουργήσετε τη συσκευή.

Μην αφήνετε τη συσκευή συνδεδεμένη στην πρίζα. Πριν τον καθαρισμό της συσκευής ή οποιασδήποτε εργασία συντήρησης, πρέπει να απενεργοποιείτε τη συσκευή και να την αποσυνδέετε από την πρίζα.

Η χρήση της συσκευής από παιδιά άνω των 8 ετών, ηλικιωμένους και ΑΜΕΑ προϋποθέτει την παρουσία ενήλικα που θα φέρει την ευθύνη για την ασφαλεία τους. Η χρήση της συσκευής από άτομα που δεν έχουν εξοικειωθεί στη χρήση παρόμοιων συσκευών μπορεί να γίνει μόνο αφού γίνει κατανοητός ο κίνδυνος που ενέχει η χρήση της συσκευής. Μην αφήνετε τα παιδιά να παίζουν με τη συσκευή. Οι εργασίες καθαρισμού και συντήρησης της συσκευής από τα παιδιά πρέπει να γίνονται με την επίβλεψη ενήλικα που θα φέρει την ευθύνη για την ασφαλεία τους.

Εάν το καλώδιο σύνδεσης με το δίκτυο παροχής εμφανίσει φθορές διακόψτε την λειτουργία της συσκευής αμέσως. Για λόγους ασφαλείας η αντικατάσταση του καλωδίου πρέπει να γίνει αποκλειστικά από εξουσιοδοτημένο προς τούτο τεχνικό HOOVER.

Μην πλησιάζετε τις περιστρεφόμενες βούρτσες με τα χέρια, τα πόδια, τα μαλιά ή τα ρούχα σας.

Χρησιμοποιείτε αποκλειστικά γνήσια εξαρτήματα, ανταλλακτικά και αναλώσιμα HOOVER.

**Στατικός ηλεκτρισμός:** Ορισμένα χαλιά μπορεί να προκαλέσουν συσσώρευση στατικού ηλεκτρισμού. Τυχόν στατικές εκκενώσεις δεν είναι επικίνδυνες για την υγεία.

Μην χρησιμοποιείτε τη συσκευή σας σε εξωτερικούς χώρους, σε υγρή επιφάνεια ή για τη συλλογή υγρών.

Μην συλλέγετε με τη συσκευή σκληρά ή αιχμηρά αντικείμενα, καυτή στάχτη, αποτσίγαρα ή άλλα παρόμοια αντικείμενα.

Μην ψεκάζετε ή συλλέγετε εύφλεκτα υγρά, υγρά καθαρισμού, αερολύματα ή τους ατμούς τους.

Ενώσω χρησιμοποιείτε τη συσκευή δεν πρέπει να πατάτε επάνω στο καλώδιο, μην τραβάτε το καλώδιο για να αποσυνδέσετε τη συσκευή από την παροχή.

Εάν η συσκευή εμφανίσει κάποια βλάβη μην συνεχίσετε να την χρησιμοποιείτε.

**Τεχνική Υποστήριξη Hoover :** Για την διατήρηση της ασφαλούς και αποτελεσματικής λειτουργίας της συσκευής οι επεμβάσεις συντήρησης και αποκατάστασης βλαβών πρέπει να γίνονται αποκλειστικά μέσω των εξουσιοδοτημένων τεχνικών HOOVER..


Μην στέκεστε πάνω στο καλώδιο και μην το περιτυλίγετε γύρω από τα χέρια ή τα πόδια σας ενώσω η συσκευή βρίσκεται σε λειτουργία.

Μην χρησιμοποιείτε τη συσκευή για να καθαρίζετε ζώα ή άτομα.

Μην τοποθετείτε πάνω σας τη συσκευή όταν καθαρίζετε τις σκάλες.

### Περιβάλλον

Το σύμβολο πάνω σε αυτή τη συσκευή υποδεικνύει ότι αυτή η συσκευή δεν μπορεί να αντιμετωπιστεί σαν κοινό οικιακό απόβλητο. Αντίθετα, πρέπει να παραδοθεί στο πλησιέστερο κέντρο συλλογής για την ανακύκλωση ηλεκτρικού και ηλεκτρονικού εξοπλισμού. Η απόρριψη της συσκευής πρέπει να γίνει σύμφωνα με την ισχύουσα κατά τόπο νομοθεσία για την απόρριψη ηλεκτρονικών και ηλεκτρικών αποβλήτων. Για πιο λεπτομερείς πληροφορίες σχετικά με την επεξεργασία, την ανάκτηση και την ανακύκλωση αυτής της συσκευής, επικοινωνήστε με την κατά τόπους αρμόδια αρχή, την υπηρεσία αποκομιδής οικιακών απορριμμάτων ή το κατάστημα από το οποίο αγοράσατε τη συσκευή.

 Αυτή η συσκευή πληροί τις υπ' αριθμ. 2006/95/EC, 2004/108/EC και 2011/65/EU Ευρωπαϊκές Οδηγίες.

HOOVER Limited, Pentrebach, Merthyr Tydfil, Mid Glamorgan, CF48 4TU, UK

## ΕΞΟΙΚΕΙΩΣΗ ΜΕ ΤΗ ΣΚΟΥΠΑ

- A. Σώμα της σκούπας
- B. Λαβή μεταφοράς
- C. Δοχείο σκόνης
- D. Λαβή δοχείου σκόνης και ασφάλεια
- E. Κουμπί λειτουργίας (On/Off)
- F. Κουμπί τυλίγματος καλωδίου
- G. Καπάκι φίλτρου
- H. Ασφάλεια καπακιού φίλτρου
- I. Σύστημα φίλτρου πριν το μοτέρ
- J. Θύρα φίλτρου εξόδου
- K. Φίλτρο εξόδου
- L. Εγκοπή στάθμευσης
- M. Λαβή
- N. Χειριστήριο ελέγχου αναρρόφησης
- O. Τηλεσκοπικός σωλήνας
- P. Ρυθμιστής τηλεσκοπικού σωλήνα
- Q. Ακροφύσιο χαλιών και δαπέδου (GP)\*\*
  - Q1. Ακροφύσιο χαλιών (CA)\*\*
  - Q2. Ακροφύσιο (στόμιο) για σκληρά δάπεδα (HF)\*\*
- R. Επιλογέας επιφάνειας\*\*
- S. Εύκαμπτος σωλήνας
- T1. Εργαλείο με λεπτό άκρο \*
- T2. Βούρτσα ξεσκονίσματος\*
- U. Ακροφύσιο Mini Turbo για τρίχες κατοικίδιων\*
- V. Ακροφύσιο Mini Turbo για αλλεργιογόνα\*
- W. Ακροφύσιο Grand Turbo\*
- X. Ακροφύσιο για παρκέ\*

## ΣΥΝΑΡΜΟΛΟΓΗΣΗ ΤΗΣ ΣΚΟΥΠΑΣ ΣΑΣ

Αφαιρέστε όλα τα εξαρτήματα από τη συσκευασία.

1. Συνδέστε τον εύκαμπτο σωλήνα στο κυρίως σώμα της σκούπας. [2]
2. Συνδέστε το άνω άκρο του σωλήνα στη λαβή [3].
3. Συνδέστε το κάτω άκρο του σωλήνα με το ακροφύσιο χαλιών και δαπέδου. [4]

## ΠΩΣ ΝΑ ΧΡΗΣΙΜΟΠΟΙΗΣΕΤΕ ΤΗ ΣΚΟΥΠΑ

1. Ξετυλίξτε το καλώδιο και συνδέστε το σε μια πρίζα ρεύματος. Μην τραβάτε το καλώδιο πέραν της κόκκινης σήμανσης. [5]
2. Ρυθμίστε τον τηλεσκοπικό σωλήνα στο επιθυμητό ύψος κρατώντας τη λαβή και μετακινώντας τη χειρολαβή στο κέντρο πάνω κάτω. [6]
3. Επιλέξτε τον τύπο της επιφάνειας που θα καθαριστεί πατώντας το πεντάλ του πέλματος. [7]
  - Σκληρά δάπεδα – Οι βούρτσες χαμηλώνουν για την προστασία του δαπέδου.
  - Χαλί – Οι βούρτσες ανασηκώνονται για βαθύτερο καθαρισμό.
4. Ενεργοποιήστε τη σκούπα πατώντας το κουμπί λειτουργίας (On/Off) στο σώμα της σκούπας. [8]
5. Ρυθμίστε την αναρρόφηση σύροντας τον ρυθμιστή αναρρόφησης στο επιθυμητό επίπεδο. [9]
6. Απενεργοποιήστε στο τέλος της χρήσης πατώντας το κουμπί λειτουργίας (On/Off). Βγάλτε από την πρίζα και πατήστε το κουμπί τυλίγματος καλωδίου για να τυλιχτεί πάλι το καλώδιο ρεύματος μέσα στη σκούπα. [10]
7. Για να αποθηκεύσετε τη σκούπα σας, προσαρμόστε τον τηλεσκοπικό σωλήνα στη χαμηλότερη ρύθμιση και σταθμεύστε το ακροφύσιο στη θέση στάθμευσης πάνω στο σώμα της σκούπας. [11]

## ΕΞΑΡΤΗΜΑΤΑ

Για να πετύχετε τις καλύτερες επιδόσεις και υψηλή ενεργειακή απόδοση<sup>#1</sup> συνιστάται να χρησιμοποιείτε τα σωστά ακροφύσια για τις βασικές εργασίες καθαρισμού. Αυτά τα ακροφύσια απεικονίζονται στα σχέδια με τα γράμματα **GP**, **HF** ή **CA**.

Το ακροφύσιο τύπου **GP** μπορεί να χρησιμοποιηθεί τόσο για τον καθαρισμό χαλιών όσο και πατωμάτων.

Το ακροφύσιο τύπου **HF** είναι κατάλληλο για χρήση μόνο σε σκληρά δάπεδα.

Το ακροφύσιο τύπου **CA** είναι κατάλληλο για χρήση μόνο σε χαλιά.

Τα υπόλοιπα ακροφύσια προορίζονται για ειδικές εργασίες καθαρισμού και πρέπει να χρησιμοποιούνται μόνο για το συγκεκριμένο σκοπό.

Είναι σημαντικό να σημειωθεί ότι η ηλεκτρική σκούπα συνοδεύεται από ενεργειακή ετικέτα σύμφωνα με τα ισχύοντα από την 665/2013 Ευρωπαϊκή οδηγία.

Εάν η ετικέτα εμφανίζει έναν κόκκινο απαγορευτικό κύκλο στα αριστερά που καλύπτει ένα σύμβολο χαλιού, αυτό είναι ένδειξη ότι η σκούπα δεν είναι κατάλληλη για χρήση σε χαλιά.

Όταν στην ετικέτα στα δεξιά υπάρχει το απαγορευτικό σύμβολο με το κύκλο που καλύπτει ένα σύμβολο πατώματος, σημαίνει ότι η σκούπα είναι ακατάλληλη για χρήση σε σκληρά δάπεδα.

<sup>#1</sup> **ΣΗΜΕΙΩΣΗ:** Η ικανότητα απορρόφησης σκόνης σε χαλιά και σκόνης σε σκληρά δάπεδα όπως και η ενεργειακή απόδοση ανταποκρίνονται στις υπαριθμ 665/2013 και 666/2013 της Ε.Ε

Ανατρέξτε στις προδιαγραφές μοντέλου, που εμφανίζονται στην ετικέτα της συσκευασίας, για τα εξαρτήματα που περιλαμβάνει το κάθε μοντέλο. Όλα τα εξαρτήματα μπορούν να αγοραστούν χωριστά από τη Hoover. (Δείτε την ενότητα Ανταλλακτικά και αναλώσιμα της Hoover).

\*Μόνο ορισμένα μοντέλα

\*\*Μόνο για ορισμένα μοντέλα, τα ακροφύσια (στόμια αναρρόφησης) ενδέχεται να διαφέρουν ανάλογα με το μοντέλο

Όλα τα εξαρτήματα μπορούν να τοποθετηθούν στο άκρο του εύκαμπτου σωλήνα ή στο άκρο του τηλεσκοπικού σωλήνα.

**Εργαλείο με λεπτό άκρο** – Για γωνίες και δυσπρόσιτα σημεία. **[12]**

**Βούρτσα ξεσκονίσματος** – Για ράφια, πλαίσια, ηλεκτρολόγια και άλλες ευαίσθητες περιοχές. Για να προεκτείνετε τις βούρτσες, πατήστε το κουμπί στο σώμα του εργαλείου. **[13]**

**Ακροφύσιο για παρκέ\*** – Για δάπεδα με παρκέ και άλλα ευαίσθητα δάπεδα. **[1X]**

**Ακροφύσιο Grand Turbo\*** – Χρησιμοποιήστε το ακροφύσιο τούρμπο για βαθύ καθαρισμό των χαλιών. **[1W]**

**Ακροφύσιο Mini Turbo για τρίχες κατοικίδιων\*** - Χρησιμοποιήστε το μίνι ακροφύσιο τούρμπο για τις σκάλες ή για τον βαθύ καθαρισμό υφασμάτων επιφανειών και άλλων σημείων που καθαρίζονται δύσκολα. Ιδιαίτερα κατάλληλο για την απομάκρυνση τριχών κατοικίδιων. **[1U]**

**Ακροφύσιο Mini Turbo για αλλεργιογόνα\*** – Χρησιμοποιήστε το μίνι ακροφύσιο τούρμπο για τις σκάλες ή για το βαθύ καθαρισμό υφασμάτων επιφανειών και άλλων σημείων που καθαρίζονται δύσκολα, ιδιαίτερα κατάλληλο για την απομάκρυνση αλλεργιογόνων. **[1V]**

**ΣΗΜΑΝΤΙΚΟ:** Μην χρησιμοποιείτε τα ακροφύσια τούρμπο και μίνι τούρμπο σε χαλιά με μακριά κρόσσια, σε προβιές και χαλιά με πέλος μεγαλύτερο των 15 χιλιοστών. Μην κρατάτε το ακροφύσιο ακίνητο ενώ περιστρέφεται η βούρτσα.

## ΣΥΝΤΗΡΗΣΗ ΤΗΣ ΣΚΟΥΠΑΣ

### Άδειασμα του δοχείου σκόνης

Όταν η σκόνη φτάσει στην ανώτερη ένδειξη του δοχείου, αδειάστε το.

**ΣΗΜΑΝΤΙΚΟ:** Για βέλτιστη απόδοση μην επιτρέπετε στη σκόνη να υπερβεί τη μέγιστη ένδειξη.

1. Απελευθερώστε τη λαβή μεταφοράς του δοχείου σηκώνοντας την κεντρική ασφάλεια προκειμένου να αποσυνδέσετε το δοχείο σκόνης από το κύριο σώμα της σκούπας και τραβήξτε το προς τα πάνω για να το αφαιρέσετε. **[14]**
2. Κρατήστε το δοχείο σκόνης πάνω από έναν κάδο απορριμμάτων με το ένα χέρι και με το άλλο τραβήξτε την ασφάλεια του δοχείου σκόνης για να ανοίξετε το καπάκι και να το αδειάσετε. **[15]**
3. Κλείστε τη θύρα του δοχείου σκόνης και επανατοποθετήστε το στο κύριο σώμα της σκούπας. Για να το στερεώσετε στη θέση του, πιέστε τη λαβή μεταφοράς του δοχείου προς τα κάτω έως ότου η ασφάλεια κουμπώσει στο σώμα της σκούπας. Όταν η λαβή μεταφοράς έχει ασφαλίσει σωστά, δεν προεξέχει από το επάνω μέρος της σκούπας.

### Καθαρισμός των πλενόμενων φίλτρων

Η σκούπα διαθέτει ένα σύστημα μπλε φίλτρων hepa. Για να διατηρήσετε τη βέλτιστη απόδοση καθαρισμού, πρέπει να αφαιρείτε τακτικά τα φίλτρα και να τα τινάζετε μέσα στον κάδο απορριμμάτων ώστε να απομακρύνεται η σκόνη. Τα φίλτρα πρέπει να πλένονται κάθε 3 μήνες ή όταν το φίλτρο έχει μαζέψει περίσσεια σκόνης.

**ΣΗΜΑΝΤΙΚΟ:** Ελέγχετε και συντηρείτε τακτικά τα φίλτρα.

**ΣΗΜΑΝΤΙΚΟ:** Πρέπει να διασφαλίζετε πάντα ότι η δέσμη των φίλτρων είναι απόλυτα στεγνή πριν από τη χρήση.

\*Μόνο ορισμένα μοντέλα

\*\*Μόνο για ορισμένα μοντέλα, τα ακροφύσια (στόμια αναρρόφησης) ενδέχεται να διαφέρουν ανάλογα με το μοντέλο

### Για πρόσβαση στο φίλτρο πριν το μοτέρ:

**ΣΗΜΕΙΩΣΗ:** Εξασφαλίστε ότι η λαβή μεταφοράς είναι στην κάτω θέση της πριν ανοίξετε το καπάκι του φίλτρου.

1. Απασφαλίστε το καπάκι του φίλτρου τραβώντας την ασφάλεια φίλτρου προς τα επάνω. Ανοίξτε το καπάκι του φίλτρου. **[16]**
2. Αφαιρέστε το σύστημα φίλτρων πιέζοντας το άγκιστρο ασφάλισης για να το απελευθερώσετε. Το σύστημα φίλτρων θα πεταχτεί έξω. Τραβήξτε τα φίλτρα προς τα έξω. **[17]**
3. Απασφαλίστε το πλαίσιο των φίλτρων.
4. Αφαιρέστε το μικρο-φίλτρο HEPA από το πλαίσιο συσκευασίας και πλύνετε το μικρο-φίλτρο στο χέρι με ζεστό νερό. Μην χρησιμοποιείτε καυτό νερό ή καθαριστικά. Απομακρύνετε την περίσσεια νερού από το φίλτρο και αφήστε το να στεγνώσει εντελώς πριν το ξαναχρησιμοποιήσετε. **[20]**
5. Επανασυναρμολογήστε τη δέσμη φίλτρων μόλις στεγνώσει εντελώς και επανατοποθετήστε τη στη σκούπα. Πιέστε το επάνω μέρος του φίλτρου για να διασφαλίσετε ότι έχει κουμπώσει στη θέση του.

### Για πρόσβαση στο φίλτρο εξόδου:

1. Απασφαλίστε το καπάκι του φίλτρου εξόδου περιστρέφοντας το καπάκι σύμφωνα με την ένδειξη του βέλους που υπάρχει. **[18]**
2. Αφαιρέστε το σύστημα φίλτρων από την υποδοχή τους. **[19]**
3. Τινάζτε ελαφρά και πλύνετε τη μονάδα του μπλε φίλτρου HEPA. Μην χρησιμοποιείτε καυτό νερό ή καθαριστικά. Απομακρύνετε την περίσσεια νερού από το φίλτρο και αφήστε το να στεγνώσει εντελώς πριν το ξαναχρησιμοποιήσετε. **[20]**
4. Επανασυναρμολογήστε το σύστημα φίλτρων μόλις στεγνώσει εντελώς και επανατοποθετήστε το στη σκούπα.

**ΣΗΜΑΝΤΙΚΟ:** Μη χρησιμοποιείτε το προϊόν εάν προηγουμένως δεν έχετε στερεώσει καλά τη δέσμη φίλτρων.

### Καθαρισμός της μονάδας διαχωρισμού Airvolution.

Η συσκευή χρησιμοποιεί ένα σύστημα διαχωρισμού Airvolution, μοναδικό για την Hoover. Εάν χρειάζεται η μονάδα διαχωρισμού Airvolution μπορεί να αφαιρεθεί από το δοχείο σκόνης και να καθαριστεί.

1. Αφαιρέστε το δοχείο σκόνης από τη σκούπα απελευθερώνοντας τη λαβή μεταφοράς του δοχείου ώστε να αποσυνδέσετε το δοχείο από το κύριο σώμα της σκούπας και τραβήξτε το προς τα επάνω για να το αφαιρέσετε. **[14]**
2. Τοποθετήστε το δοχείο σκόνης σε μια επίπεδη επιφάνεια και ξεκουμπώστε τα κλιπ και από τις δύο πλευρές του δοχείου. **[21]**
3. Χρησιμοποιώντας τη λαβή του δοχείου σκόνης σηκώστε το πάνω τμήμα του δοχείου που περιέχει τη μονάδα διαχωρισμού από το κάτω τμήμα. **[22]**
4. Χρησιμοποιήστε ένα πανί για να αφαιρέσετε την υπερβολική ποσότητα σκόνης από την επιφάνεια της μονάδας διαχωρισμού. **[23]**
5. Επανασυναρμολογήστε το πάνω τμήμα του δοχείου σκόνης. Σπρώξτε τα κλιπ πίσω ώστε να κλείσει πλήρως το δοχείο σκόνης. **[24]**
6. Επανατοποθετήστε το δοχείο σκόνης στη σκούπα. Για να το στερεώσετε στη θέση του,



πιέστε τη λαβή μεταφοράς του δοχείου προς τα κάτω έως ότου η ασφάλεια κουμπώσει στο σώμα της σκούπας. Όταν η λαβή μεταφοράς έχει ασφαλίσει σωστά, δεν προεξέχει από το επάνω μέρος της σκούπας.

### Απομάκρυνση σκουπιδιού

1. Ελέγξτε εάν το δοχείο σκόνης είναι γεμάτο. Εάν ναι, ανατρέξτε στην ενότητα «Αδειασμα του δοχείου σκόνης».
2. Εάν το δοχείο σκόνης είναι άδειο αλλά η αναρρόφηση εξακολουθεί να είναι χαμηλή:
  - A. Μήπως χρειάζονται καθάρισμα τα φίλτρα; Εάν ναι, ανατρέξτε στην ενότητα «Καθαρισμός των πλεονόμενων φίλτρων».
  - B. Ελέγξτε εάν έχει φράξει κάπου άλλο το σύστημα - Χρησιμοποιήστε μια ράβδο ή ένα ξύλο για να αφαιρέσετε τυχόν έμφραξη από το σωλήνα επέκτασης ή από τον εύκαμπτο σωλήνα.
  - C. Ελέγξτε εάν είναι τοποθετημένο το φίλτρο πριν το μοτέρ και αν το καπάκι του φίλτρου είναι κλειστό.
  - D. Ελέγξτε εάν η μονάδα διαχωρισμού χρειάζεται καθαρισμό. Ανατρέξτε στην ενότητα «Καθαρισμός της μονάδας διαχωρισμού»

### ΚΑΤΑΛΟΓΟΣ ΕΛΕΓΧΟΥ ΧΡΗΣΤΗ

Εάν αντιμετωπίσετε πρόβλημα με το προϊόν, συμπληρώστε αυτόν τον απλό κατάλογο ελέγχου χρήστη πριν επικοινωνήσετε με το τοπικό τμήμα σέρβις της Hoover.

- Υπάρχει ενεργός ρευματοδότης (πρίζα) για την ηλεκτρική σκούπα; Ελέγξτε το με κάποια άλλη ηλεκτρική συσκευή.
- Το δοχείο σκόνης είναι υπερπλήρες; Ανατρέξτε στην ενότητα «Συντήρηση σκούπας».
- Είναι φραγμένο το φίλτρο; Ανατρέξτε στην ενότητα «Συντήρηση σκούπας».
- Είναι φραγμένο το ακροφύσιο ή ο εύκαμπτος σωλήνας; Ανατρέξτε στο κεφάλαιο «Απομάκρυνση σκουπιδιού από το σύστημα».
- Μήπως υπερθερμάνθηκε η σκούπα; Εάν ναι, η αυτόματη αποκατάσταση θα διαρκέσει περίπου 30 λεπτά.

### ΣΗΜΑΝΤΙΚΕΣ ΠΛΗΡΟΦΟΡΙΕΣ

#### Ανταλλακτικά και αναλώσιμα της Hoover

Να χρησιμοποιείτε πάντα τα γνήσια ανταλλακτικά της Hoover κατά την αντικατάσταση εξαρτημάτων. Μπορείτε να τα προμηθευτείτε από τον τοπικό αντιπρόσωπο της Hoover ή απευθείας από τη Hoover. Κατά την παραγγελία εξαρτημάτων να αναφέρετε πάντα τον αριθμό μοντέλου.

Pre-Motor Filter	S112	35601238
Purefilt Exhaust Filter	T106	35601238
Complete Flexible Hose	D122	35601055
Carpet & Floor Extra Nozzle	G202EE	35601595

Carpet & Floor Smart Nozzle	G217SE	35601610
Hard Floor Extra Nozzle	G207EE	35601600
Hard Floor Smart Nozzle	G206SE	35601599
Carpet Extra Nozzle	G210EE	35601603
Parquet Extra Nozzle	G90PCB	35600934
Mini Turbo Nozzle	J32	35600817
Turbo Nozzle	J57	35601239

### Σέρβις της Hoover

Όποτε χρειαστεί να γίνει κάποια επισκευή στη συσκευή σας, επικοινωνήστε με το πλησιέστερο κέντρο επισκευών της Hoover

### Ποιότητα

Τα εργοστάσια της Hoover έχουν υποβληθεί σε ανεξάρτητους ποιοτικούς ελέγχους. Τα προϊόντα μας κατασκευάζονται μέσω ενός συστήματος ποιότητας το οποίο πληροί τις προδιαγραφές του προτύπου ISO 9001.

### Η εγγύησή σας

Οι προϋποθέσεις της εγγύησης για την παρούσα συσκευή είναι αυτές που ορίζονται από τον αντιπρόσωπο της χώρας στην οποία έχει πραγματοποιηθεί η πώληση. Ο αντιπρόσωπος από τον οποίο πραγματοποιείται η αγορά του προϊόντος μπορεί να σας ενημερώσει σχετικά με τις προϋποθέσεις αυτές. Για οποιαδήποτε απαίτηση που αφορά στους όρους της παρούσας απόδειξης απαιτείται η προσκόμιση του τιμολογίου ή της απόδειξης αγοράς. Υπόκειται σε τροποποιήσεις χωρίς προειδοποίηση.



## ИНСТРУКЦИИ ПО ТЕХНИКЕ БЕЗОПАСНОСТИ

Данный прибор предназначен только для домашнего использования в соответствии с описанием, приведенным в настоящем Руководстве пользователя. Прежде чем приступить к эксплуатации данного бытового электроприбора, убедитесь в том, что вы понимаете настоящее руководство.

Не оставляйте прибор включенным в розетку. После использования или перед очисткой или обслуживанием всегда вынимайте вилку из розетки.

Дети старше восьми лет, а также лица со сниженным физическим, сенсорным или умственным развитием или отсутствием опыта или знаний об устройстве могут использовать устройство под присмотром или если они должным образом проинструктированы о безопасном использовании устройства и понимают риски, которые может повлечь собой его использование. С устройством не должны играть дети. Не следует допускать детей к очистке и обслуживанию прибора без присмотра взрослых.

Если провод питания поврежден, немедленно отключите прибор. Во избежание угрозы безопасности замену провода питания должен проводить авторизованный инженер сервисной службы HOOVER.

Не приближайте вращающиеся щетки к рукам, ногам, болтающейся одежде и волосам.

Используйте только те насадки, расходные материалы или запасные части, которые рекомендует или поставляет HOOVER.

**Статическое электричество:** Некоторые типы ковровых покрытий способны накапливать небольшой заряд статического электричества. Разряд статического электричества не представляет опасности для здоровья.

Не применяйте прибор вне помещений, на влажных поверхностях или для сбора жидкостей.

Не используйте прибор для сбора острых предметов, спичек, горячего пепла, окурков или аналогичных объектов.

Не распыляйте или не собирайте горючие жидкости, чистящие средства, аэрозоли или прочие пары.

Не перевозите свой прибор через провод питания и не тяните за провод, вынимая вилку из розетки.

В случае неисправности не следует продолжать пользоваться прибором.

**Сервисная служба HOOVER:** Для гарантии безопасной и надежной работы данного прибора мы рекомендуем приглашать авторизованных инженеров сервисной службы HOOVER для выполнения технического обслуживания и ремонта.

Не стойте на проводе и не наматывайте его на руку или ногу в процессе использования прибора.

Не пользуйтесь прибором для очистки животных или людей.

Не размещайте прибор над собой во время уборки лестниц.

### Окружающая среда:

Символ на данном приборе указывает на то, что его нельзя утилизировать вместе с бытовыми отходами. Его необходимо сдавать в соответствующий пункт приема для дальнейшей переработки электрических и электронных частей. Утилизация должна проводиться в соответствии с местными природоохранными правилами по утилизации отходов. За более подробной информацией по обращению с данным прибором, его утилизации и переработке обратитесь в местные органы власти, в службу утилизации отходов или в магазин, где вы приобрели данный прибор.



CE Данный прибор отвечает требованиям Европейских Директив 2006/95/EC, 2004/108/EC и 2011/65/EU.

HOOVER Limited, Pentrebach, Merthyr Tydfil, Mid Glamorgan, CF48 4TU, UK

## ПОЗНАКОМЬТЕСЬ С КОНСТРУКЦИЕЙ ВАШЕГО ПЫЛЕСОСА

- A. Основной корпус пылесоса
- B. Ручка для переноски
- C. Контейнер для сбора пыли
- D. Ручка и защелка контейнера для сбора пыли
- E. Кнопка Вкл/Выкл
- F. Кнопка смотки шнура
- G. Дверца фильтра
- H. Защелка дверцы фильтра
- I. Фильтр электродвигателя
- J. Дверца выпускного фильтра
- K. Выпускной фильтр
- L. Посадочное место
- M. Рукоятка
- N. Регулятор мощности всасывания
- O. Телескопическая труба
- P. Регулятор телескопической трубы
- Q. Насадка для пола и ковров (**GP**)\*\*
  - Q1. Насадка для ковров (**CA**)\*\*
  - Q2. Насадка для твердых покрытий (**HF**)\*\*
- R. Селектор поверхности для чистки\*\*
- S. Шланг
- T1. Щелевая насадка\*
- T2. Щетка для удаления пыли\*
- U. Мини-турбонасадка для удаления шерсти животных\*
- V. Мини-турбонасадка для удаления аллергенов\*
- W. Турбонасадка Grand\*
- X. Насадка для паркета\*

## СБОРКА ПЫЛЕСОСА

Извлеките все составные части из упаковки.

1. Присоедините шланг к основному корпусу пылесоса. [2]
2. Подсоедините трубу верхним концом к ручке [3].
3. Присоедините нижний конец трубы к насадке для чистки ковров и пола. [4]

## ЭКСПЛУАТАЦИЯ ПЫЛЕСОСА

1. Извлеките шнур питания и подключите вилку шнура к розетке электропитания. Не тяните шнур за его участок, находящийся за красной меткой. [5]
2. Отрегулируйте высоту телескопической трубки, удерживая за рукоятку и перемещая центральную рукоять вверх или вниз. [6]
3. Нажатием на педаль на насадке выберите тип напольного покрытия. [7]
  - Твердое напольное покрытие – Для защиты напольного покрытия щетки опущены
  - Ковровое покрытие – Для более глубокой очистки щетки подняты.
4. Включите пылесос, нажав кнопку Вкл/Выкл на основном корпусе пылесоса. [8]
5. Отрегулируйте мощность всасывания, передвинув регулятор мощности всасывания на нужный уровень. [9]
6. По окончании работы выключите пылесос, нажав кнопку Вкл/Выкл. После отключения от сети питания шнур можно убрать внутрь пылесоса нажатием кнопки сматывания шнура. [10]
7. Для хранения пылесоса уменьшите длину телескопической трубы до минимальной и закрепите насадку в парковочном положении на основном корпусе пылесоса. [11]

## АКСЕССУАРЫ:

Для достижения лучшей производительности и энергоэффективности <sup>#1</sup> рекомендуется правильно использовать насадки для основных операций уборки.

Эти насадки обозначены на схеме буквами **GP**, **HF** или **CA**.

Насадку типа **GP** можно использовать для очистки как ковров, так и твердых напольных покрытий.

Насадка типа **HF** подходит только для твердых напольных покрытий.

Насадка типа **CA** подходит только для ковров.

Прочие насадки являются аксессуарами для особых видов уборки и рекомендуются для использования только в определенных случаях.

Важно отметить, что данный пылесос поставляется с маркировкой энергоэффективности согласно требованиям Постановления Совета ЕС 665/2013/EU.

Если в левой части этикетки значок ковра заключен в красный запрещающий круг, это означает, что данный пылесос не пригоден для уборки ковров.

Если в правой части этикетки значок твердого напольного покрытия заключен в красный запрещающий круг, это означает, что данный пылесос не пригоден для уборки полов с твердым покрытием.

**#1 ПРИМЕЧАНИЕ:** Мощность сбора пыли с ковровых покрытий, мощность сбора пыли с твердых напольных покрытий и энергоэффективность отвечают нормам Постановлений Совета ЕС 665/2013/EU и 666/2013/EU.

\*Только для определенных моделей

\*\*Только для некоторых моделей. Форма насадки может меняться в зависимости от модели.

Для уточнения комплектации отдельных моделей дополнительными приспособлениями обратитесь к спецификации моделей. Все приспособления можно приобрести в компании Hoover по отдельности. (См. раздел "Запасные части и расходные материалы компании Hoover").

**Щелевая насадка**, – Предназначена для очистки углов и труднодоступных мест. [12]

**Щетка для удаления пыли** – Для книжных полок, рамок картин, клавиатур и прочих деликатных поверхностей. Чтобы настроить длину щеток, нажмите кнопку на корпусе устройства. [13]

**Насадка для паркета\*** – Для паркетных полов и других полов, требующих осторожного обращения. [1X]

**Турбонасадка Grand\*** – Используется для глубокой очистки ковров. [1W]

**Мини-турбонасадка для удаления шерсти животных\*** – Мини турбо щетка предназначена для чистки лестниц или глубокой очистки тканевых поверхностей и других труднодоступных для чистки мест. Особенно подходит для удаления шерсти животных. [1U]

**Мини-турбонасадка для удаления аллергенов\*** – Используйте мини-турбонасадку для чистки лестниц или глубокой очистки тканевых поверхностей и других сложных покрытий, особенно подходит для удаления аллергенов. [1V]

**ВНИМАНИЕ!** Не следует использовать турбонасадки и мини-турбонасадки на коврах с длинной бахромой, в укрытиях животных и на коврах с ворсом длиннее 15 мм. Не держите насадку неподвижно, в то время как вращается щетка.

## ТЕХНИЧЕСКОЕ ОБСЛУЖИВАНИЕ ПЫЛЕСОСА

### Опорожнение контейнера для сбора пыли

Когда пыль в контейнере накопится до максимального уровня, указываемого индикатором, контейнер следует опорожнить.

**ВНИМАНИЕ!** Для поддержания оптимальной производительности не следует допускать накопления пыли выше максимального уровня.

1. Освободите ручку для переноски контейнера, приподняв центральную защелку, чтобы отсоединить пылесборник от корпуса пылесоса, и потяните вверх. [14]
2. Одной рукой держите пылесборник над мусорным ведром, другой потяните защелку дверцы пылесборника, чтобы освободить его от содержимого. [15]
3. Закройте пылесборник и верните его на прежнее место в корпусе пылесоса. Вставьте ручку для переноса пылесборника таким образом, чтобы защелка надежно зафиксировала её в корпусе пылесоса. После правильной установки ручка для переноски будет надежно закреплена сверху на корпусе пылесоса.

### Очистка моющихся фильтров

В пылесосе установлены два синих сухих воздушных HEPA фильтра. В целях сохранения оптимальной работоспособности пылесоса регулярно удаляйте из фильтров пыль, легким постукиванием о края мусорного бака. Фильтры следует промывать каждые 3 месяца, а также в случае избыточного накопления пыли.

\*Только для определенных моделей

\*\*Только для некоторых моделей. Форма насадки может меняться в зависимости от модели.

**ВНИМАНИЕ!** Регулярно проверяйте фильтры и проводите их техобслуживание.

**ВНИМАНИЕ!** Обязательно следует проверять, чтобы фильтр перед использованием был полностью сухим.

### Для доступа к фильтру электродвигателя:

**ПРИМЕЧАНИЕ:** Перед тем, как открыть дверцу фильтра, убедитесь в том, что ручка для переноски находится в положении книзу.

1. Откройте дверцу фильтра, потянув вверх защелку. Откройте дверцу фильтра. [16]
2. Выньте фильтр нажатием на зажим фиксатора. Фильтр будет извлечен. Аккуратно выньте фильтр. [17]
3. Откройте корпус фильтра.
4. Снимите микрофильтр HEPA с несущей рамки и, действуя рукой, промойте микрофильтр теплой водой. Запрещается промывка горячей водой или моющими средствами. Отожмите фильтр и оставьте его для просушки перед повторным использованием. [20]
5. Соберите фильтры в фильтрующий компонент после их высыхания и установите в корпус пылесоса. Убедитесь в том, что фильтр надежно встал на свое место по характерному щелчку после легкого надавливания на него сверху.

### Для извлечения выходного фильтра выполните следующие действия:

1. Выньте выходной фильтр, вращая дверцу в направлении, указанном стрелкой. [18]
2. Извлеките фильтр. [19]
3. Аккуратно встряхните и промойте синий воздушный HEPA фильтр. Запрещается промывка горячей водой или моющими средствами. Отожмите фильтр и оставьте его для просушки перед повторным использованием. [20]
4. Соберите фильтр после его высыхания и заново установите в корпус пылесоса.

**ВНИМАНИЕ!** Не следует использовать этот пылесос без установленного в него фильтра.

### Очистка сепаратора Airvolution

В этом пылесосе используется уникальный оригинальный сепаратор Airvolution (запатентованная разработка Hoover). При необходимости сепаратор Airvolution снимается и промывается от грязи и пыли.

1. Выньте пылесборник из корпуса пылесоса, отсоединив ручку для переноски пылесборника. [14]
2. Установите пылесборник на ровную поверхность и с обеих сторон отстегните защелки. [21]
3. Используя ручку, выньте верхнюю часть пылесборника с сепаратором. [22]
4. С помощью мягкой тряпочки уберите излишки грязи с поверхности сепаратора. [23]
5. Соберите заново верхнюю часть пылесборника. Нажимая на защелки, полностью закройте пылесборник. [24]
6. Установите пылесборник в корпус пылесоса. Вставьте ручку для переноса пылесборника таким образом, чтобы защелка надежно зафиксировала её в корпусе пылесоса. После правильной установки ручка для переноски будет надежно закреплена сверху на корпусе пылесоса.

## Удаление засорений

1. Проверьте уровень наполнения пылесборника. Если пылесборник забился пылью, см. раздел «Очистка пылесборника».
2. Если контейнер для сбора пыли пуст, но давление всасывания все еще мало:
  - A. Требуется ли прочистить фильтр? Если да, см. раздел «Очистка моющихся фильтров».
  - B. Проверьте, нет ли других засорений в системе – при помощи стержня или палки прочистите телескопическую трубу или гибкий шланг.
  - C. Проверьте правильность установки фильтра электродвигателя, а также, закрыта ли дверца этого фильтра.
  - D. Проверьте состояние очистки отделения. См. раздел «Очистка сепаратора».

## АНКЕТА ПОЛЬЗОВАТЕЛЯ

Если у Вас возникли сложности с использованием данного изделия, просим заполнить эту несложную анкету для пользователя перед обращением в местную сервисную службу компании Hoover.

- Подается ли на пылесос рабочее напряжение? Проверьте с помощью другого электрического прибора.
- Не переполнен ли контейнер для сбора пыли? См. раздел «Техническое обслуживание пылесоса».
- Не засорился ли фильтр? См. раздел «Техническое обслуживание пылесоса».
- Не засорились ли шланг или насадка? См. раздел «Устранение засоров в системе».
- Не перегрелся ли пылесос? Если это так, примерно через 30 минут он снова станет работоспособным.

## ВАЖНАЯ ИНФОРМАЦИЯ

### Запасные части и расходные материалы компании Hoover

При замене частей используйте только штатные запасные части и расходные материалы производства компании Hoover. Их можно приобрести у вашего местного дилера компании Hoover или непосредственно в компании Hoover. При оформлении заказа на запасные части обязательно указывайте номер модели пылесоса.

Pre-Motor Filter	S112	35601238
Purefilt Exhaust Filter	T106	35601238
Complete Flexible Hose	D122	35601055
Carpet & Floor Extra Nozzle	G202EE	35601595
Carpet & Floor Smart Nozzle	G217SE	35601610
Hard Floor Extra Nozzle	G207EE	35601600
Hard Floor Smart Nozzle	G206SE	35601599
Carpet Extra Nozzle	G210EE	35601603
Parquet Extra Nozzle	G90PCB	35600934
Mini Turbo Nozzle	J32	35600817
Turbo Nozzle	J57	35601239

## Сервисное обслуживание компании Hoover

В любое время, когда потребуется сервисное обслуживание пылесоса, звоните в местный Отдел обслуживания компании Hoover.

### Качество

Заводы компании Hoover прошли независимую оценку качества. Наша продукция изготавливается с применением системы качества, удовлетворяющей требованиям стандарта ISO 9001.

### Ваша гарантия

Условия гарантии для данного бытового электрического прибора определяются нашим представителем в стране, где этот электроприбор продан. Более подробную информацию об этих условиях вы можете получить у дилера, продавшего электроприбор. При предъявлении претензий по условиям данных гарантийных обязательств, должен быть представлен чек или квитанция на проданный товар.

Изменения могут быть внесены без уведомления.

## INSTRUKCJE BEZPIECZNEGO UŻYTKOWANIA

Urządzenie to jest przeznaczone wyłącznie do użytku domowego w sposób opisany w niniejszej instrukcji użytkownika. Prosimy o dokładne zapoznanie się z instrukcją przed rozpoczęciem używania odkurzacza.

Nie pozostawiać urządzenia podłączonego do gniazdka zasilającego. Należy zawsze wyłączać urządzenie i wyjmować wtyczkę przewodu zasilającego z gniazdka po zakończeniu użytkowania, a także przed przystąpieniem do czyszczenia lub wykonywania jakichkolwiek czynności konserwacyjnych.

Urządzenie mogą obsługiwać dzieci w wieku co najmniej 8 lat, osoby o ograniczonych zdolnościach fizycznych, sensorycznych lub mentalnych, a także osoby nieposiadające odpowiedniego doświadczenia oraz wiedzy, jedynie pod warunkiem że odbywać się będzie to pod nadzorem lub po przeszkoleniu na temat bezpiecznego użycia urządzenia oraz związanych z nim zagrożeń. Dzieci nie mogą bawić się urządzeniem. Urządzenia nie powinny czyścić ani konserwować dzieci bez nadzoru.

Jeśli przewód zasilający uległ uszkodzeniu, należy natychmiast zaprzestać korzystania z urządzenia. Ze względów bezpieczeństwa przewód zasilający powinien być wymieniany wyłącznie przez serwisanta autoryzowanego punktu serwisowego HOOVER.

Nie zbliżać rąk, stóp, luźnej odzieży ani włosów do obracających się szczotek.

Należy korzystać wyłącznie z końcówek, materiałów eksploatacyjnych oraz części zamiennych zalecanych lub dostarczonych przez firmę HOOVER.

**Ładunki elektrostatyczne:** Odkurzanie niektórych dywanów może powodować niewielkie naelektryzowanie się urządzenia. Tego rodzaju ładunki elektrostatyczne nie stanowią zagrożenia dla zdrowia.

Nie używać urządzenia na zewnątrz domu, do odkurzania mokrych powierzchni ani do zbierania wody.

Nie wolno wciągać twardych lub ostrych przedmiotów, zapalek, gorącego popiołu, niedopałków papierosów ani innych podobnych przedmiotów.

Nie spryskiwać łatwopalnymi cieczami, środkami czyszczącymi w aerozolu ani parą.

Nie stąpać po przewodzie zasilającym podczas korzystania z urządzenia i nie wyjmować wtyczki, ciągnąc za przewód zasilający.

Nie kontynuować eksploatacji uszkodzonego urządzenia.

**Serwis firmy HOOVER:** Aby zapewnić bezpieczne i sprawne działanie tego urządzenia, zalecamy zlecenie prac serwisowych lub napraw wyłącznie serwisantom autoryzowanego punktu serwisowego firmy HOOVER.

Nie stawać na przewodzie zasilającym i nie owijać go sobie wokół rąk lub nóg podczas korzystania z urządzenia.

Nie używać urządzenia do odkurzania ludzi lub zwierząt.

Nie ustawiać urządzenia powyżej swojego poziomu podczas odkurzania schodów.

### Ochrona środowiska

Symbol umieszczony na urządzeniu oznacza, że nie jest ono klasyfikowane jako odpad z gospodarstwa domowego. Urządzenie należy zdać w odpowiednim punkcie utylizacji w celu recyklingu komponentów elektrycznych i elektronicznych. Urządzenie należy złomować zgodnie z lokalnymi przepisami w sprawie utylizacji odpadów. Dodatkowe informacje na temat sposobu utylizacji, złomowania i recyklingu urządzenia można uzyskać w lokalnym urzędzie miejskim, w komunalnym zakładzie utylizacji odpadów lub w sklepie, w którym produkt został zakupiony.



**CE** Urządzenie spełnia wymogi europejskich norm 2006/95/WE, 2004/108/WE oraz 2011/65/WE.

HOOVER Limited, Pentrebach, Merthyr Tydfil, Mid Glamorgan, CF48 4TU, UK



## ELEMENTY ODKURZACZA

- A. Obudowa główna odkurzacza
- B. Uchwyt do przenoszenia
- C. Pojemnik na kurz
- D. Uchwyt pojemnika na kurz i zatrask
- E. Wyłącznik
- F. Przycisk zwijania przewodu
- G. Pokrywa filtra
- H. Zatrask pokrywy filtra
- I. Zestaw filtrów przed silnikiem
- J. Kłapa filtra wywiewnego
- K. Filtr wywiewny
- L. Gniazdo
- M. Uchwyt
- N. Kontrola siły ssania
- O. Rura teleskopowa
- P. Regulacja rury teleskopowej
- Q. Szczotka dywanowo-podłogowa **(GP)\*\***
  - Q1. Ssawka do dywanów **(CA)\*\***
  - Q2. Ssawka do twardych podłóg **(HF)\*\***
- R. Przełącznik powierzchni\*\*
- S. Wąż
- T1. Ssawka szczelinowa\*
- T2. Szczotka do kurzu \*
- U. Turboszczotka mini do usuwania sierści zwierząt\*
- V. Turboszczotka mini do usuwania alergenów\*
- W. Ssawka Grand Turbo\*
- X. Szczotka do parkietów\*

## MONTAŻ ODKURZACZA

Wyjmij wszystkie elementy z opakowania.

1. Podłącz wąż do obudowy głównej odkurzacza. [2]
2. Podłącz górny koniec rury do uchwytu [3].
3. Podłącz dolny koniec rury do szczotki dywanowo-podłogowej. [4]

## KORZYSTANIE Z ODKURZACZA

1. Wyciągnij przewód zasilający i podłącz go do zasilania. Nie należy wyciągać przewodu poza czerwony znacznik. [5]
2. Ustaw rurę teleskopową na żadaną wysokość, podnosząc lub opuszczając uchwyt. [6]
3. Wybierz rodzaj czyszczonej powierzchni naciskając przycisk nożny na szczotce. [7]
  - Twarda podłoga – Szczotki są obniżone, aby chronić podłogę.
  - Dywan – Szczotki są uniesione, aby umożliwić głębsze odkurzanie.
4. Włącz odkurzacz, naciskając wyłącznik znajdujący się na obudowie głównej odkurzacza. [8]
5. Ustaw siłę ssania przesuwając regulator ssania na odpowiedni poziom. [9]
6. Po zakończeniu pracy wyłącz odkurzacz, naciskając wyłącznik. Wyjmij wtyczkę z gniazdka i naciśnij przycisk zwijania przewodu, aby zwinąć przewód zasilający z powrotem do odkurzacza. [10]
7. W celu schowania odkurzacza ustaw rurę teleskopową na najmniejszą wysokość i zamocuj szczotkę w pozycji zablokowanej na obudowie głównej odkurzacza. [11]

## DODATKOWE AKCESORIA

Aby uzyskać optymalne wyniki oraz wydajność energetyczną <sup>#1</sup>, zaleca się stosowanie prawidłowych końcówek podczas głównych czynności czyszczenia. Ssawki są wskazane na schematach i oznaczone literami **GP**, **HF** lub **CA**.

Ssawką typu **GP** można odkurzać zarówno dywany, jak i twarde podłogi.

Ssawka typu **HF** jest odpowiednia tylko do odkurzania twardych podłóg.

Ssawka typu **CA** jest odpowiednia tylko do odkurzania dywanów.

Pozostałe ssawki to akcesoria do specjalistycznych zadań czyszczących. Zaleca się używać ich jedynie okazjonalnie.

Należy podkreślić, że niniejszy odkurzacz jest dostarczany wraz z etykietą energetyczną zgodnie z wymogami Rozporządzenia (UE) 665/2013.

Jeśli na etykiecie znajduje się czerwony znak zakazu umieszczony na symbolu dywanu, oznacza to, że ten odkurzacz nie nadaje się do odkurzania dywanów.

Jeśli na etykiecie znajduje się czerwony znak zakazu umieszczony na symbolu twardej podłogi, oznacza to, że ten odkurzacz nie nadaje się do odkurzania twardych podłóg.

<sup>#1</sup> **UWAGA:** Wskaźnik zbierania kurzu na dywanie, wskaźnik zbierania kurzu na dywanie oraz klasa efektywności energetycznej zgodnie z Regulacjami Komisji (UE) 665/2013 i 666/2013.

Należy sprawdzić w specyfikacji technicznej modelu na etykiecie opakowania, w jakie akcesoria wyposażone są poszczególne modele. Wszystkie akcesoria można zakupić oddzielnie w firmie Hoover (patrz rozdział „Części zapasowe i materiały eksploatacyjne firmy Hoover”).

Wszystkie akcesoria mogą zostać zamocowane na końcu węża lub końcu rury teleskopowej.

\*Tylko w niektórych modelach

\*\*Jedynie w niektórych modelach. Końcówki mogą się różnić w zależności od modelu



**Ssawka szczelinowa** – Do odkurzania kątów i innych trudno dostępnych miejsc. [12]

**Szczotka do kurzu** – Do półek z książkami, ram obrazów, klawiatur i innych delikatnych miejsc. Aby wysunąć szczotki, należy nacisnąć przycisk na obudowie końcówki. [13]

**Szczotka do parkietów\*** – Do parkietów i innych delikatnych powierzchni podłogowych. [1X]

**Ssawka Grand Turbo\*** – Turboszczotka służy do głębokiego odkurzania dywanów. [1W]

**Turboszczotka mini do usuwania sierści zwierząt\*** - Turboszczotka mini służy do odkurzania schodów lub głębokiego odkurzania powierzchni pokrytych tkaninami i innych trudnych do czyszczenia powierzchni. Nadaje się w szczególności do usuwania sierści zwierząt. [1U]

**Turboszczotka mini do usuwania alergenów\*** – Turboszczotka mini służy do odkurzania schodów lub głębokiego odkurzania powierzchni pokrytych tkaninami i innych trudnych do czyszczenia powierzchni, nadaje się w szczególności do usuwania alergenów. [1V]

**WAŻNE:** Nie należy korzystać z turboszczotek ani turboszczotek mini do odkurzania dywaników z długimi frędzlami, skór zwierzęcych i puszystych dywanów o włosie dłuższym niż 15 mm. Nie trzymać ssawki nieruchomo, gdy szczotka się obraca.

## KONSERWACJA ODKURZACZA

### Opróżnianie pojemnika na kurz

Gdy poziom kurzu osiągnie maksymalny poziom na wskaźniku zapelnienia pojemnika, należy opróżnić pojemnik na kurz.

**WAŻNE:** Aby uzyskać optymalną wydajność, nie wolno pozwolić, aby poziom kurzu przekroczył maksymalny poziom.

1. Zwolnij uchwyt do przenoszenia pojemnika, unosząc środkowy zatrzask, aby odłączyć pojemnik na kurz od obudowy głównej odkurzacza, i pociągnij do góry, aby go wyjąć. [14]
2. Przytrzymaj jedną ręką pojemnik na kurz nad koszem na śmieci, a drugą pociągnij zaczep pojemnika na kurz, aby otworzyć pokrywę i go opróżnić. [15]
3. Zamknij pokrywę pojemnika na kurz i z powrotem zamocuj w obudowie głównej odkurzacza. Aby zablokować na miejscu, naciśnij uchwyt do przenoszenia pojemnika, aż zatrzask połączy się z obudową główną odkurzacza. Po odpowiednim umieszczeniu na swoim miejscu uchwyt do przenoszenia będzie wyrównany z górną częścią odkurzacza.

### Czyszczenie filtrów zmywalnych

Odkurzacze wyposażony jest w dwa zestawy niebieskich filtrów HEPA. Aby zapewnić optymalną wydajność odkurzania, należy regularnie wymieniać filtry i opukiwać je o bok kosza na śmieci, aby usunąć kurz. Filtry należy myć co 3 miesiące lub gdy przekroczony zostanie poziom kurzu dla filtra.

**WAŻNE:** Należy regularnie sprawdzać i konserwować filtry.

**WAŻNE:** Przed założeniem zestawu filtra należy zawsze upewnić się, że całkowicie wyszechl.

### Aby uzyskać dostęp do filtra:

**UWAGA:** Przed otwarciem pokrywy filtra upewnij się, że uchwyt do przenoszenia znajduje się w położeniu dolnym.

1. Odblokuj pokrywę filtra, pociągając zatrzask filtra do góry. Otwórz pokrywę filtra. [16]
2. Wyjmij zestaw filtra, naciskając do dołu zaczep blokujący w celu jego odblokowania. Zestaw filtra wówczas wyskoczy. Wsuń zestaw filtra. [17]
3. Odblokuj ramkę zestawu filtra.
4. Wyjmij mikrofiltr HEPA z ramki zestawu i przemyć go ręcznie ciepłą wodą. Nie stosować gorącej wody ani detergentów. Wycisnąć nadmiar wody z filtra i pozostawić do całkowitego wyschnięcia przed ponownym założeniem. [20]
5. Po całkowitym wyschnięciu zmontuj zestaw filtra i zamocuj z powrotem w odkurzaczu. Przyciśnij od góry filtr, upewniając się, że zaskoczył z powrotem na miejsce.

### Aby uzyskać dostęp do filtra wywiewnego:

1. Odblokuj pokrywę filtra wywiewnego obracając pokrywę w kierunku oznaczonym strzałkami. [18]
2. Wyjmij zestaw filtrów ze szczeliny. [19]
3. Ostrożnie otrzep i umyj zestaw niebieskich filtrów HEPA. Nie stosować gorącej wody ani detergentów. Wycisnąć nadmiar wody z filtra i pozostawić do całkowitego wyschnięcia przed ponownym założeniem. [20]
4. Po całkowitym wyschnięciu zmontuj zestaw filtra i zamocuj z powrotem w odkurzaczu.

**WAŻNE:** Nie należy używać urządzenia bez założonego zestawu filtra.

### Czyszczenie separatora Airvolution

W odkurzaczu zastosowany system separacji Airvolution opracowany przez firmę Hoover. W razie potrzeby separator Airvolution można wyjąć z pojemnika na kurz i wyczyścić.

1. Wyjmij pojemnik na kurz z odkurzacza, zwalniając uchwyt do przenoszenia, aby odłączyć pojemnik na kurz od obudowy głównej odkurzacza, i pociągnij do góry, aby go wyjąć. [14]
2. Umieścić pojemnik na kurz na płaskiej powierzchni i odblokować zaczepy z obu boków pojemnika na kurz. [21]
3. Chwytnąc za uchwyt pojemnika na kurz, podnieść górną część pojemnika zawierającą separator, wysuwając ją z niższej części. [22]
4. Za pomocą ściereczki usuń nadmiar kurzu z powierzchni separatora. [23]
5. Zamontować górną część pojemnika na kurz. Zacisnąć z powrotem zaczepy, aby całkowicie zamknąć pojemnik na kurz. [24]
6. Zamocować pojemnik z powrotem w odkurzaczu. Aby zablokować na miejscu, naciśnij uchwyt do przenoszenia pojemnika, aż zatrzask połączy się z obudową główną odkurzacza. Po odpowiednim umieszczeniu na swoim miejscu uchwyt do przenoszenia będzie wyrównany z górną częścią odkurzacza.

\*Tylko w niektórych modelach

\*\*Jedynie w niektórych modelach. Końcówki mogą się różnić w zależności od modelu

## Usuwanie niedrożności

1. Sprawdź, czy pojemnik na kurz jest pełny. Jeśli tak, zobacz rozdział „Opróżnianie pojemnika na kurz”.
2. Jeśli pojemnik na kurz jest pusty, ale siła ssania jest nadal niedostateczna:
  - A. Czy trzeba wyczyścić filtry? Jeśli tak, zobacz rozdział „Czyszczenie filtrów zmywalnych”.
  - B. Sprawdź, czy występują jakiegokolwiek niedrożności w układzie. - Za pomocą patyka lub pręta przetkaj rurę przedłużającą lub przewód giętki.
  - C. Sprawdź, czy filtr przed silnikiem jest zamocowany i czy pokrywa filtra jest zamknięta.
  - D. Sprawdź, czy separator wymaga czyszczenia. Zobacz rozdział „Czyszczenie separatora”.

## LISTA KONTROLNA UŻYTKOWNIKA

W razie wystąpienia problemu z urządzeniem należy skorzystać z poniższej prostej listy kontrolnej użytkownika przed skontaktowaniem się z lokalnym serwisem firmy Hoover.

- Czy gniazdko, do którego podłączono odkurzacz, jest pod napięciem? Sprawdź gniazdko elektryczne, podłączając do niego inne urządzenie elektryczne.
- Czy pojemnik na kurz jest przepełniony? Zobacz rozdział „Konserwacja odkurzacza”.
- Czy filtr jest niedrożny? Zobacz rozdział „Konserwacja odkurzacza”.
- Czy wąż lub szczotki są zatkane? Zobacz rozdział „Usuwanie niedrożności z układu”.
- Czy nie nastąpiło przegrzanie odkurzacza? W przypadku przegrzania odkurzacz automatycznie ponownie uruchomi się po około 30 minutach.

## WAŻNE INFORMACJE

### Części zapasowe i materiały eksploatacyjne firmy Hoover

Należy zawsze wymieniać części na oryginalne części zapasowe firmy Hoover. Można je nabyć u lokalnego przedstawiciela firmy Hoover lub bezpośrednio w firmie Hoover. Przy zamawianiu części zawsze należy podać numer danego modelu.

Pre-Motor Filter	S112	35601238
Purefilt Exhaust Filter	T106	35601238
Complete Flexible Hose	D122	35601055
Carpet & Floor Extra Nozzle	G202EE	35601595
Carpet & Floor Smart Nozzle	G217SE	35601610
Hard Floor Extra Nozzle	G207EE	35601600
Hard Floor Smart Nozzle	G206SE	35601599
Carpet Extra Nozzle	G210EE	35601603
Parquet Extra Nozzle	G90PCB	35600934
Mini Turbo Nozzle	J32	35600817
Turbo Nozzle	J57	35601239

## Serwis firmy Hoover

Jeśli kiedykolwiek wymagana będzie naprawa, należy skontaktować się z lokalnym punktem serwisowym firmy Hoover.

### Jakość

BSI ISO 9001

Zakłady firmy Hoover zostały poddane niezależnej kontroli pod kątem jakości. Nasze produkty zostały wytworzone z wykorzystaniem systemu kontroli jakości spełniającego wymogi normy ISO 9001.

### Gwarancja

Warunki gwarancji na niniejsze urządzenie są określone przez naszego przedstawiciela w kraju, w którym urządzenie jest sprzedawane. Szczegółowe informacje na temat warunków gwarancji można uzyskać w punkcie, w którym urządzenie zostało nabyte. Przy zgłaszaniu wszelkich roszczeń w ramach gwarancji należy przedstawić dowód sprzedaży lub pokwitowanie.

Zastrzegamy sobie możliwość wprowadzania zmian bez wcześniejszego powiadomienia.

## NÁVOD K BEZPEČNÉMU POUŽITÍ

Tento vysavač by měl být používán pouze pro úklid domácnosti a v souladu s touto uživatelskou příručkou. Než začnete spotřebič používat, ujistěte se, že rozumíte tomuto návodu.

Nenechávejte zařízení zapnuté v zásuvce. Před čištěním nebo jakoukoli údržbou zařízení vždy vypněte a síťovou šňůru vytáhněte ze zásuvky.

Tento přístroj smí používat děti od 8 let výše a osoby se sníženými fyzickými, smyslovými nebo mentálními schopnostmi nebo s nedostatkem zkušeností a znalostí, pokud mají dozor nebo jim byly dány pokyny týkající se bezpečného používání tohoto přístroje a byly seznámeny s možnými riziky jeho používání. S přístrojem si nesmí hrát děti. Čištění a údržbu nesmí provádět děti bez dohledu.

Jestliže je poškozena síťová šňůra, okamžitě přestaňte zařízení používat. aby jste se vyhnuli ohrožení bezpečnosti, napájecí kabel musí být vyměněn autorizovaným technikem společnosti HOOVER.

Udržujte dostatečnou vzdálenost rukou, nohou, volného oděvu a vlasů z dosahu otočných kartáčů.

Používejte výhradně příslušenství, spotřební materiál a náhradní díly doporučené nebo dodávané firmou HOOVER.

**Statická elektřina** Při čištění některých koberců vzniká malé množství statické elektřiny. Výboje statické elektřiny neohrožují zdraví.

Nepoužívejte Vaše zařízení venku, na mokré povrchy nebo na mokrá vysávání.

Nevysávejte tvrdé nebo ostré předměty, zápalky, žhavý popel,

cigaretové nedopalky a podobné předměty.

Nestříkejte nebo nevysávejte hořlavé kapaliny, čisticí tekutiny, aerosoly nebo jejich výpary.

Během použití zařízení nepřejíždějte přes síťovou šňůru a nevytahujte síťový kabel ze zásuvky taháním za šňůru.

Nepoužívejte zařízení, pokud vám připadá vadné.


**Servis HOOVER** Pro zajištění vždy bezpečné a efektivní práce s přístrojem doporučujeme, aby jakékoliv servisní práce nebo opravy prováděl pouze autorizovaný servisní pracovník společnosti Hoover.


Během použití zařízení nestůjte na síťové šňůře ani si ji neovíjete kolem paží či nohou.

Nepoužívejte zařízení pro čištění zvířat a osob.

Při úklidu schodů nestavte zařízení na vyšší schod, než se nacházíte vy.

### Životní prostředí

Symbol na tomto zařízení označuje, že tento výrobek nesmí být likvidován jako domovní odpad. Zařízení musí být předáno do příslušného sběrného místa pro likvidaci elektrických a elektronických zařízení. Likvidace musí proběhnout v souladu s místními ekologickými předpisy pro likvidaci odpadu. Pro další podrobné informace o zacházení, regeneraci a likvidaci tohoto zařízení prosím kontaktujte Váš místní úřad, společnost pro sběr odpadu nebo obchod, kde jste jej zakoupili. 

 Tento spotřebič je v souladu s evropskými směrnicemi 2006/95/ES, 2004/108/ES a 2011/65/EU.

HOOVER Limited, Pentrebach, Merthyr Tydfil, Mid Glamorgan, CF48 4TU, UK

## SEZNÁMENÍ S VYSAVAČEM

- A. Hlavní část vysavače
- B. Přepavní držadlo
- C. Zásobník na prach
- D. Držadlo a západka zásobníku na prach
- E. Vypínač
- F. Tlačítko navíječe šňůry
- G. Dvířka filtru
- H. Západka dvířek filtru
- I. Filtrační sada před motorem
- J. Dvířka výstupního filtru
- K. Výstupní filtr
- L. Parkovací štěrbinová hubice
- M. Držadlo
- N. Regulace podtlaku
- O. Teleskopická trubice
- P. Nastavení teleskopické trubice
- Q. Hubice na koberce a podlahy (**GP**)\*\*
  - Q1. Hubice na koberce (**CA**)\*\*
  - Q2. Hubice na tvrdé podlahy (**HF**)\*\*
- R. Volič povrchu\*\*
- S. Hadice
- T1. Štěrbinová hubice\*
- T2. Prachový kartáč\*
- U. Miniturbohubice na čištění chlupů zvířat\*
- V. Miniturbohubice na čištění alergenů\*
- W. Velká turbohubice\*
- X. Parketová hubice\*

## SESTAVENÍ VYSAVAČE

Vybalte všechny díly vysavače.

1. Připojte hadici k vysavači a přesvědčte se. [2]
2. Připojte horní konec trubice k pojezdovému držadlu [3].
3. Připojte spodní konec trubice k hubici na koberce a podlahu. [4]

## JAK POUŽÍVAT VYSAVAČ

1. Vytáhněte síťovou šňůru a zapojte ji do zásuvky. Konec šňůry označuje červená značka. [5]
2. Nastavte teleskopickou trubici do požadované výšky uchopením za držadlo a přesunutím středové rukojeti nahoru nebo dolů. [6]
3. Zvolte povrch určený k čištění sešlápnutím pedálu na hubici. [7]
  - Tvrdá podlaha – Štětiny jsou vysunuté, aby nedošlo k poškrábání podlahy.
  - Koberce – Štětiny jsou zasunuté, aby bylo zajištěno účinné čištění.
4. Vysavač zapínejte a vypínejte pouze vypínačem na hlavní části zařízení. [8]
5. Upravte sání posunutím regulátoru sání do požadované polohy. [9]
6. Po použití vysavač vypněte stisknutím tlačítka vypínače. Vytáhněte vidlici síťové šňůry ze zásuvky a stisknutím červeného tlačítka navíječe naviňte šňůru do vysavače. [10]
7. Při ukládání vysavače složte teleskopickou trubici a hubici uložte do odkládací polohy na vysavači. [11]

## PŘÍSLUŠENSTVÍ

Chcete-li získat co nejlepší výkon a energetickou účinnost<sup>#1</sup> je doporučeno, aby byly použité správné trysky pro hlavní čisticí operace.

Tyto trysky jsou uvedeny v diagramech písmeny **GP**, **HF** nebo **CA**.

Trysku typu **GP** lze použít jak pro čištění koberce tak na tvrdé podlahy.

Tryska typu **HF** je vhodá pouze pro použití na tvrdé podlahy.

Tryska typu **CA** je vhodná pouze pro použití na koberce.

Další trysky jsou příslušenství pro specializovaná čištění a jsou doporučeny pouze pro příležitostná použití.

Je důležité si uvědomit, že tento vysavač je dodáván s energetickým štítkem podle požadavků Evropského nařízení (EU) 665/2013.

Je-li označení na štítku zákazový červený kruh na levé straně pokrývající symbol koberce, pak to znamená, že vysavač není vhodné použít na koberce.

Je-li označení na štítku zákazový červený kruh na pravé straně pokrývající symbol tvrdé podlahy, pak to znamená, že vysavač není vhodné použít na tvrdé podlahy..

**#1 POZNÁMKA:** Schopnost vyzvednout prach z koberce, schopnost vyzvednout prach z tvrdé podlahy a energetická účinnost v souladu s Nařízením Komise (EU) 665/2013 a (EU) 666/2013.

Viz specifikace modelu na štítku obalového materiálu, v níž je uvedeno příslušenství pro jednotlivé modely. Veškeré příslušenství lze zakoupit samostatně u společnosti Hoover. (Viz část Náhradní díly a spotřební materiál Hoover.)

Veškeré příslušenství lze upevnit na konec hadice nebo teleskopické trubice.

\*Pouze u některých modelů

\*\*Pouze některé modely, hubice se může lišit dle modelu

**Štěrbínová hubice** – Na rohy a obtížně přístupná místa. [12]

**Prachový kartáč** – Pro šetrné čištění knihoven, rámu, klávesnic a jiných citlivých povrchů. Chcete-li vysunout štětiny, stiskněte tlačítko na těle nástroje. [13]

**Parketová hubice \*** – Pro šetrné čištění parket a jiných citlivých podlahových krytin. [1X]

**Velká turbohubice\*** – Turbohubici použijte pro hloubkové čištění koberců. [1W]

**Miniturbohubice na čištění chlupů zvířat\*** - Miniturbohubici používejte pro úklid schodišť nebo pro hloubkové čištění textilních povrchů a jiných obtížně přístupných ploch. Vhodné zejména pro odstraňování chlupů zvířat. [1U]

**Miniturbohubice na čištění povrchů\*** – Miniturbohubici používejte pro úklid schodišť nebo pro hloubkové čištění textilních povrchů a jiných obtížně přístupných ploch, hodí se zejména na odstraňování alergenů. [1V]

**DŮLEŽITÉ UPOZORNĚNÍ:** Nepoužívejte turbohubici a miniturbohubici na čištění koberců s dlouhými trásněmi, pelíšků domácích zvířat a koberců s vlasem delším než 15 mm. Pokud se kartáče otáčejí, hubice nesmí zůstat na jednom místě.

## ÚDRŽBA VYSAVAČE

### Vyprázdnění zásobníku na prach

Jestliže ukazatel na zásobníku ukazuje, že množství prachu dosáhlo maximálního množství, je třeba zásobník vyprázdnit.

**DŮLEŽITÉ UPOZORNĚNÍ:** Pokud chcete dosáhnout optimální funkce vysavače, množství prachu nesmí přesáhnout úroveň označenou značkou Max.

1. Uvolněte přenášeč držadla nádoby zvednutím středové západky, odpojte tak nádobu na prach od hlavního tělesa vysavače a vyjměte ji zatažením směrem vzhůru. [14]
2. Jednou rukou podržte zásobník na prach nad popelnici a druhou rukou zatáhněte za západku zásobníku a uvolněte dvířka, aby se prach mohl vysypat. [15]
3. Zavřete dvířka zásobníku na prach a znovu ho spojte s hlavní částí vysavače. Abyste zásobník zajistili, tlačte přenášeč držadla dolů, dokud se západka nespojí s hlavním tělem vysavače. Pokud se zásobník nachází ve správné provozní poloze, sklopené přenášeč držadlo leží v jedné rovině s horní částí vysavače.

### Čištění omyvatelného filtru

Vysavač je vybaven dvěma sadami modrých filtrů Hepa. Zajištění optimálního výkonu vyžaduje pravidelné čištění filtru, který je třeba oklepat o okraj popelnice. Filtry je nutno čistit každé tři měsíce nebo v případě, že jsou zaneseny.

**DŮLEŽITÉ UPOZORNĚNÍ:** Filtry je třeba pravidelně kontrolovat a čistit.

**DŮLEŽITÉ UPOZORNĚNÍ:** Před instalací do vysavače musí být filtry dokonale suché.

### Přístup k filtru před motorem:

**POZNÁMKA:** Před otevřením dvířek filtru se přesvědčte, zda přenášeč držadla se nachází ve sklopené poloze.

1. Uvolněte dvířka filtru vytažením západky směrem vzhůru. Otevřete dvířka filtru. [16]

\*Pouze u některých modelů

\*\*Pouze některé modely, hubice se může lišit dle modelu

2. Stiskněte západku a vyjměte filtr. Filtr vyskočí. Vytáhněte filtr ven. [17]
3. Uvolněte rám filtru.
4. Vyjměte mikrofiltr HEPA z instalačního rámečku a umyjte mikrofiltr ručně teplou vodou. Nepoužívejte horkou vodu ani saponáty. Odstraňte přebytečnou vodu z filtru a nechte ho před použitím dokonale vyschnout. [20]
5. Jakmile jednotlivé části filtru vyschnou, filtr sestavte a vložte ho zpět do vysavače. Zatlačte na horní stranu filtru a ujistěte se, že zacvakne na místo.

### Přístup k výstupnímu filtru:

1. Odemkněte dvířka výstupního filtru otáčením ve směru uvedené šipky. [18]
2. Vyjměte filtrační sadu z výklenku. [19]
3. Modrý Hepa filtr opatrně vyklepejte a vyperte. Nepoužívejte horkou vodu ani saponáty. Odstraňte přebytečnou vodu z filtru a nechte ho před použitím dokonale vyschnout. [20]
4. Jakmile jednotlivé části filtru vyschnou, filtr sestavte a vložte ho zpět do vysavače.

**DŮLEŽITÉ UPOZORNĚNÍ:** Nepoužívejte vysavač bez vloženého filtru.

### Čištění odstředivé jednotky Airvolution

Tento vysavač používá odstředivý systém Airvolution, kterým je výlučným patentem značky Hoover. V případě nutnosti lze odstředivou jednotku Airvolution vyjmout ze zásobníku na prach a vyčistit.

1. Vyjměte zásobník na prach z vysavače uvolněním přenášeč držadla zásobníku, odpojte tak nádobu na prach od hlavního tělesa vysavače a vyjměte ji zatažením směrem vzhůru. [14]
2. Nádobu na prach položte na rovný podklad a uvolněte spony na obou stranách nádoby na prach. [21]
3. Pomocí držadla nádoby na prach zvedněte její horní část obsahující separační zařízení ze spodní části. [22]
4. Hadříkem odstraňte prach z povrchu odstředivé jednotky. [23]
5. Znovu sestavte horní část nádoby na prach. Zatlačte spony zpět, aby byla nádoba na prach úplně zavřena. [24]
6. Vraťte nádobu na prach do vysavače. Abyste zásobník zajistili, tlačte přenášeč držadla dolů, dokud se západka nespojí s hlavním tělem vysavače. Pokud se zásobník nachází ve správné provozní poloze, sklopené přenášeč držadlo leží v jedné rovině s horní částí vysavače.

### Odstranění překážky

1. Zkontrolujte, zda není zásobník na prach plný. Pokud tomu tak je, postupujte podle části „Vyprázdnění zásobníku na prach“.
2. Zásobník na prach je prázdný, avšak podtlak je stále nedostatečný.
  - A. Je třeba vyčistit filtry? Pokud ano, viz část „Čištění omyvatelného filtru“.
  - B. Zkontrolujte, zda není v systému jiná překážka - K odstranění jakékoliv překážky z teleskopické trubice nebo hadice použijte vhodnou tyč apod.
  - C. Zkontrolujte, zda je namontován předmotorový filtr před motorem a dvířka filtru jsou zavřena.
  - D. Zkontrolujte, zda není nutné vyčistit odstředivý filtr. Viz část „Čištění odstředivé jednotky“.

## KONTROLNÍ SEZNAM UŽIVATELE

Pokud máte jakýkoli problém s výrobkem, proveďte kontrolu podle tohoto seznamu, než se obrátíte na autorizovaný servis Hoover.

- Funguje správně elektrická zásuvka, k níž je připojen vysavač? Zkontrolujte ji pomocí jiného spotřebiče.
- Není zásobník na prach přeplněný? Viz „Údržba vysavače“.
- Není ucpaný filtr? Viz „Údržba vysavače“.
- Není ucpaná hadice nebo hubice? Viz „Odstranění překážky ze systému“.
- Není vysavač přehřátý? Pokud ano, vyčkejte cca 30 minut, než se vysavač vrátí do funkčního stavu.

## DŮLEŽITÉ INFORMACE

### Náhradní díly a spotřební materiály Hoover

Vždy používejte originální náhradní díly společnosti Hoover. Získáte je u místního prodejce výrobků Hoover nebo přímo od společnosti Hoover. V objednávce dílů laskavě vždy uvádějte číslo modelu.

Pre-Motor Filter	S112	35601238
Purefilt Exhaust Filter	T106	35601238
Complete Flexible Hose	D122	35601055
Carpet & Floor Extra Nozzle	G202EE	35601595
Carpet & Floor Smart Nozzle	G217SE	35601610
Hard Floor Extra Nozzle	G207EE	35601600
Hard Floor Smart Nozzle	G206SE	35601599
Carpet Extra Nozzle	G210EE	35601603
Parquet Extra Nozzle	G90PCB	35600934
Mini Turbo Nozzle	J32	35600817
Turbo Nozzle	J57	35601239

### Servis společnosti Hoover

S opravami se obraťte vždy na autorizované servisní středisko společnosti Hoover.

### Kvalita

Kvalita výroby ve výrobních závodech společnosti Hoover byla posouzena nezávislou organizací. Naše výrobky jsou vyráběny podle systému jakosti, který splňuje požadavky ISO 9001.

### Záruka

Záruční podmínky pro tento spotřebič stanoví náš zástupce v zemi, v níž je spotřebič prodáván. Přesné znění podmínek vám poskytne prodejce, u něhož jste si zařízení zakoupili. Při reklamaci podle těchto záručních podmínek je nutno předložit účtenku nebo doklad o nákupu.

Právo změny bez předchozího upozornění vyhrazeno.



## NAVODILA ZA VARNO UPORABO

Sesalnik lahko uporabljate le za čiščenje stanovanjskih prostorov, kot je opisano v tem priročniku. Prosimo, da se pred uporabo sesalnika temeljito seznanite s temi navodili.

Sesalnika ne puščajte priključenega na električno omrežje. Po vsaki uporabi ali pred kakršnimi koli vzdrževalnimi deli in čiščenjem naprave, sesalnik vedno izklopite in izvlecite vtikač iz električne vtičnice.

Ta aparat lahko uporabljajo otroci, starejši od 8 let, ter osebe z zmanjšanimi telesnimi, zaznavnimi in mentalnimi sposobnostmi ali osebe s pomanjkljivimi izkušnjami in znanjem, če so pod nadzorom ali so bile ustrezno podučene o varni uporabi aparata ter se zavedajo nevarnosti, ki so povezane z njegovo uporabo. Otroci se ne smejo igrati z aparatom. Otroci ne smejo čistiti ali vzdrževati aparata brez nadzora.

Če je napajalni kabel poškodovan, nemudoma prenehajte z uporabo sesalnika. Da bi se izognili nevarnosti, mora napajalni kabel zamenjati pooblaščen Hooverjev serviser.

Imejte roke, noge, ohlapna oblačila in lasje proč od vrtljivih krtač.

Uporabljajte le priključke, potrošni material ali nadomestne dele, ki jih priporoča ali dobavi podjetje Hoover.

**Statična elektrika:** Določene vrste preprog lahko ustvarijo manjšo količino statične elektrike. Kakršen koli statični električni naboj ne ogroža zdravja.

Sesalnika ne smete uporabljati na prostem, na kakršni koli mokri površini ali za sesanje tekočin.

Ne smete sesati trdih ali ostrih predmetov, vžigalic, vročega pepela, cigaretnih ogorkov ali drugih podobnih snovi.

Ne smete pršiti ali sesati vnetljivih tekočin, čistil, osvežilcev zraka ali njihovih hlapov

Ne smete zapeljati prek napajalnega kabla med uporabo sesalnika ali izvleči vtikača tako, da bi vlekli za kabel.

Ne smete nadaljevati z uporabo sesalnika, če opazite nepravilnosti v delovanju.

**Servis HOOVER:** Za zagotovitev nenehnega varnega in učinkovitega delovanja naprave priporočamo, da servisiranje ali popravila izvaja le pooblaščen Hooverjev serviser.

Med uporabo sesalnika ne smete stati na kablu ali si ga ovijati okoli rok ali nog.

Ne smete uporabljati sesalnika za čiščenje živali ali ljudi.

Sesalnika ne smete postavljati nad seboj, ko sesate stopnice.

### Okolje

Simbol na izdelku pomeni, da izdelka ne smete odstraniti kot gospodinjski odpadek. Oddati ga morate na zbirnem mestu za recikliranje električne in elektronske opreme. Odstranitev morate izvesti v skladu s krajevnimi okoljskimi predpisi glede odstranjevanja odpadkov. Za podrobnejše informacije o ravnanju z izdelkom, obnovi in recikliranju izdelka se obrnite na krajevni urad, komunalno podjetje za odvoz gospodinjskih odpadkov ali trgovino, kjer ste izdelek kupili.



**CE** Ta naprava je v skladu z evropskimi direktivami 2006/95/ES, 2004/108/ES in 2011/65/EU.

HOOVER Limited, Pentrebach, Merthyr Tydfil, Mid Glamorgan, CF48 4TU, UK

## SEZNANJANJE S SESALNIKOM

- A. Osrednji del sesalnika
- B. Ročaj za nošenje
- C. Posoda za prah
- D. Ročaj posode za prah in zapah
- E. Gumb za vklop/izklop
- F. Gumb za navijanje kabla
- G. Vrata filtra
- H. Zapah vrat filtra
- I. Filter pred motorjem
- J. Vrata izhodnega filtra
- K. Izhodni filter
- L. Reža za pritrditev
- M. Ročaj
- N. Krmilnik za nadzor sesanja
- O. Teleskopska cev
- P. Regulator teleskopske cevi
- Q. Šoba za preproge in tla (**GP**)\*\*
  - Q1. Nastavek za preprogo (**CA**)\*\*
  - Q2. Nastavek za trda tla (**HF**)\*\*
- R. Izbirnik površin\*\*
- S. Cev
- T1. Nastavek za sesanje rež\*
- T1. Krtača za prah\*
- U. Mini Turbo krtača za dlake domačih živali\*
- V. Mini Turbo krtača za alergene delce\*
- W. Velika Turbo krtača\*
- X. Nastavek za čiščenje parketa\*

## SESTAVLJANJE SESALNIKA

Iz embalaže odstranite vse sestavne dele.

1. Gumijasto cev priključite na sesalnik in poskrbite. [2]
2. Spojite zgornji del cevi z navigacijskim ročajem in poskrbite, da se bodo zatiči zataknili [3]
3. Spodnji del cevi priključite na nastavek za sesanje preprog in talne površine. [4]

## UPORABA SESALNIKA

1. Izvlecite napajalni kabel in ga vključite v električno vtičnico. Kabla ne vlecite naprej od rdeče oznake. [5]
2. Prilagodite teleskopsko cev na zeleno višino, pri čemer držite ročaj in pomikajte osrednje držalo gor ali dol. [6]
3. S pritiskom na stopalko nastavka izberite vrsto površine, ki jo boste čistili. [7]
  - Trde talne površine – krtače so spuščene, da ščitijo tla.
  - Preproga – krtače so dvignjene zaradi globljega sesanja.
4. Sesalnik vklopite s pritiskom gumba za vklop/izklop na osrednjem delu sesalnika. [8]
5. Pomaknite krmilnik moči sesanja v zeleni položaj. [9]
6. Ob koncu uporabe izklopite s pritiskom gumba za vklop/izklop. Izključite iz vtičnice in pritisnite gumb za navijanje kabla, da napajalni kabel navijete nazaj v sesalnik. [10]
7. Za shranjevanje sesalnika teleskopsko cev povsem zložite in nastavek namestite v položaj za postavitve na osrednjem delu sesalnika. [11]

## DODATNI PRIKLJUČKI

Da bi dobili najboljše delovanje in energetsko učinkovitost<sup>#1</sup>, je priporočljivo uporabljati pravilne nastavke za glavne čistilne funkcije.

Nastavki so označeni v diagramih s črkami **GP**, **HF** ali **CA**.

**GP** tip nastavka lahko uporabljate za čiščenje preprog in trdih tal.

**HF** tip nastavka je primeren le za trda tla.

**CA** tip nastavka je primeren le za preproge..

Drugi nastavki so pripomočki namenjeni za posebno čiščenje in priporočamo le občasno uporabo.

Pomembno je vedeti, da je ta sesalnik opremljen z energijsko nalepko, kot je zahtevano po Evropski Uredbi (EU) 665/2013.

Če oznaka prikazuje rdeč prepovedni krog na levi čez simbol za preprogo, pomeni, da sesalnik ni primeren za uporabo na preprogah.

Če oznaka prikazuje rdeč prepovedni krog na levi čez simbol za trda tla, pomeni, da sesalnik ni primeren za uporabo na trdih tleh..

**#1 OPOMBA:** Sposobnost pobiranja prahu s preprog, sposobnost pobiranja prahu s trdih tal in energetska učinkovitost so v skladu z Uredbami Komisije (EU) 665/2013 in (EU) 666/2013. Vse dodatne priključke je mogoče namestiti na konec gibljive cevi ali na konec teleskopske cevi.

Prosimo vas, da si za dodatne priključke pri posameznih modelih ogledate specifikacije modela na etiketi, ki je na embalaži. Vse dodatne priključke lahko kupite ločeno pri vašem najbližjem prodajalcu Hoover izdelkov. (Oglejte si odstavek Nadomestni deli in potrošni material Hoover). Vse dodatne priključke je mogoče namestiti na konec gibljive cevi ali na konec teleskopske cevi.

\*Le pri določenih modelih

\*\* Samo določeni modeli, nastavki se lahko spreminjajo glede na model.

**Nastavek za sesanje rež,** – za sesanje kotov in težko dostopnih predelov. [12]

**Krtača za prah** – za knjižne police, okvirje slik, tipkovnice in druge občutljive predele. Krtačo raztegnete s pritiskom gumba na ohišju nastavka. [13]

**Nastavek za čiščenje parketa\*** – Za parketna tla in druga občutljiva tla. [1X]

**Velika Turbo krtača\*** – Za globinsko sesanje po preprogah uporabite turbo nastavek. [1W]

**Mini Turbo krtača za dlake domačih živali\*** - Mini Turbo nastavek uporabljajte za sesanje stopnic ali globinsko sesanje tekstilnih površin in površin, ki jih je težko čistiti. Delno primerno za odstranjevanje dlak domačih živali. [1U]

**Mini Turbo krtača za alergene delce\*** – Ta nastavek uporabljajte za sesanje stopnic ali globinsko sesanje tekstilnih površin in površin, ki jih je težko čistiti, predvsem za odstranjevanje alergenih delcev. [1V]

**POMEMBNO:** Turbo in Mini Turbo nastavka ne uporabljajte na preprogah z dolgimi resicami, na živalski koži in preprogah, ki so globlje od 15 mm. Nastavek ne sme mirovati, ko se krtača vrti.

## VZDRŽEVANJE SESALNIKA

### Praznjenje posode za prah

Ko prah in umazanija dosežeta oznako najvišje ravni v posodi, le-to izpraznite.

**POMEMBNO:** Za popolno delovanje naj prah in umazanija ne segata višje od oznake najvišje ravni.

1. Sprostite ročaj za nošenje posode, tako da dvignete osrednji zapah in posodo za prah ločite od sesalnika, nato jo povlecite navzgor, da jo odstranite. [14]
2. Posodo za prah z eno roko držite nad košem za smeti, z drugo roko pa povlecite zaponko posode, da odprete vrata in posodo izpraznite. [15]
3. Zaprite vratca posode za prah in jo pritrdite nazaj v sesalnik. Nato potisnite ročaj za prenašanje navzdol, da se zaklepi ujamejo v ohišje sesalnika. Pri pravilni namestitvi je ročaj za nošenje poravnan z vrhnjim delom sesalnika.

### Čiščenje pralnih filtrov

Sesalnik je opremljen z dvema modrima filtrirnima elementoma Hepa. Za ohranitev popolne učinkovitosti čiščenja redno čistite filtre in udarite ob rob posode, da očistite prah. Filter je treba prati na tri mesece ali ko se v njem nabere preveč prahu.

**POMEMBNO:** Filtre preverjajte in vzdržujte redno.

**POMEMBNO:** Pred uporabo vedno preverite, ali je element filtra povsem suh.

### Dostopanje do filtra pred motorjem:

**OPOMBA:** Pred odpiranjem vrat filtra mora biti ročaj za nošenje posode spuščen.

1. Odklenite vrata filtra s potegom zapaha filtra navzgor. Odprite vrata filtra. [16]
2. Odstranite element filtra, tako da pritisnete zaporo držala za sprostitev. Razkrije se element filtra. Element filtra potisnite ven. [17]
3. Sprostite okvir elementa filtra.
4. HEPA filter odstranite iz ohišja in v topli vodi ročno operite mikro filter in ga posušite

**\*Le pri določenih modelih**

**\*\* Samo določeni modeli, nastavki se lahko spreminjajo glede na model.**

na zraku. Ne uporabljajte vroče vode ali čistil. Pred ponovno uporabo se naj Hepa filter popolnoma osuši na zraku. [20]

5. Ko se filter popolnoma osuši, ga sestavite in namestite v sesalnik. Pritisnite filter na zgornjem delu da se zaskoči na mesto.

### Dostopanje do izhodnega filtra:

1. Odprite vrata izhodnega filtra, tako da jo obrnete v smeri puščice. [18]
2. Odstranite filter iz ležišča. [19]
3. Nežno stresite in izperite moder Hepa filter. Ne uporabljajte vroče vode ali čistil. Pred ponovno uporabo se naj Hepa filter popolnoma osuši na zraku. [20]
4. Ko se filter popolnoma osuši, ga sestavite in namestite v sesalnik.

**POMEMBNO:** Izdelka ne uporabljajte brez nameščenega elementa filtra.

### Čiščenje ločevalne enote za vrtenje zraka v posodi za prah

Sesalnik uporablja ločevalno enoto za kroženje zraka, patentirano pri Hooverju. Če je treba, ločevalnik enote za kroženje zraka lahko odstranite iz posode za prah in jo očistite.

1. Iz sesalnika odstranite posodo za prah, tako da sprostite ročaj za nošenje posode in posodo za prah ločite od sesalnika, nato pa jo povlecite navzgor, da jo odstranite. [14]
2. Posodo za prah postavite na ravno površino in odprite zaponki na obeh straneh. [21]
3. Z ročajem dvignite zgornji del posode za prah, v kateri je na spodnjem delu nameščena ločevalna enota. [22]
4. S krpo odstranite prah s površine ločevalne enote. [23]
5. Ponovno sestavite zgornji del posode za prah. Zaponki zapnite nazaj, da bo posoda za prah popolnoma zaprta. [24]
6. Namestite posodo za prah nazaj v sesalnik. Nato potisnite ročaj za prenašanje navzdol, da se zaklepi ujamejo v ohišje sesalnika. Pri pravilni namestitvi je ročaj za nošenje poravnan z vrhnjim delom sesalnika.

### Odpravljanje zamašitve

1. Preverite, ali je posoda za prah polna. Če je, si oglejte 'Praznjenje posode za prah'.
2. Če je posoda za prah prazna, a je sesalna moč še vedno šibka:
  - A. Je treba očistiti filtre? Če je, potem si oglejte 'Čiščenje pralnih filtrov'.
  - B. Preverite, ali je prisotna še kakšna druga zamašitev sistema - z drogom ali palico odstranite oviro iz cevnega podaljška ali gibljive cevi.
  - C. Preverite, ali je nameščen filter pred motorjem in ali so vrata filtra zaprta.
  - D. Preverite, če je treba očistiti enoto za ločevanje. Za podrobnosti si oglejte 'Čiščenje enote za ločevanje'.

## KONTROLNI SEZNAM ZA UPORABNIKA

Če imate težave z izdelkom, preglejte ta preprost kontrolni seznam za uporabnika, preden pokličete pooblaščen Hooverjev servis.

- Je sesalnik vključen v delujoče električno omrežje? Prosimo vas, da preverite z drugo električno napravo.
- Je posoda za prah preveč napolnjena? Oglejte si 'Vzdrževanje sesalnika'.
- Je zamašen filter? Oglejte si 'Vzdrževanje sesalnika'.
- Je blokirana cev ali priključek? Oglejte si 'Odpravljanje zamašitve'.
- Se je sesalnik pregrel? Če je tako, se bo sesalnik samodejno ponastavil po 30 minutah.

## POMEMBNE INFORMACIJE

### Nadomestni deli in potrošni material Hoover

Vedno uporabljajte originalne nadomestne dele Hoover. Dobite jih pri krajevnem prodajalcu Hoover jevih izdelkov. Pri naročanju delov vedno navedite številko modela.

Pre-Motor Filter	S112	35601238
Purefilt Exhaust Filter	T106	35601238
Complete Flexible Hose	D122	35601055
Carpet & Floor Extra Nozzle	G202EE	35601595
Carpet & Floor Smart Nozzle	G217SE	35601610
Hard Floor Extra Nozzle	G207EE	35601600
Hard Floor Smart Nozzle	G206SE	35601599
Carpet Extra Nozzle	G210EE	35601603
Parquet Extra Nozzle	G90PCB	35600934
Mini Turbo Nozzle	J32	35600817
Turbo Nozzle	J57	35601239

### Hooverjev servis

Če boste potrebovali servisno storitev, vas prosimo, da se obrnete na pooblaščen krajevni Hooverjev servis.

### Kakovost

Hooverjeve tovarne so bile predmet neodvisnega ocenjevanja kakovosti. Naši izdelki so narejeni s pomočjo sistema kakovosti, ki izpolnjuje zahteve standarda ISO 9001.

### Vaša garancija

Garancijski pogoji za to napravo so taki, kot jih določi zastopnik v državi, kjer je naprava prodana. Podrobnosti glede garancijskih pogojev lahko dobite od prodajalca, pri katerem ste napravo kupili. Če želite uveljavljati kakršno koli garancijo, potrebujete potrdilo o nakupu ali račun.

Garancija se lahko spreminja brez predhodnega obvestila.