



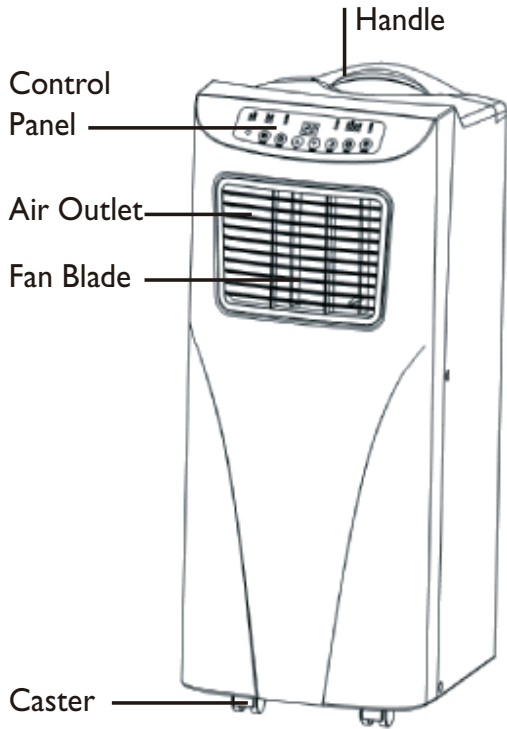
PORTABLE AIR CONDITIONER

GB Portable air conditioner

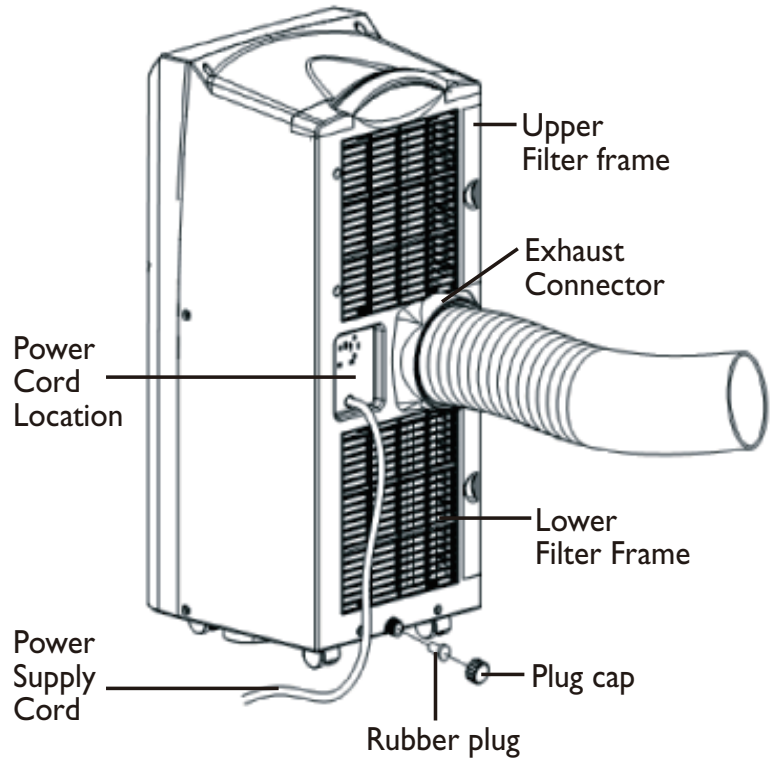


PARTS

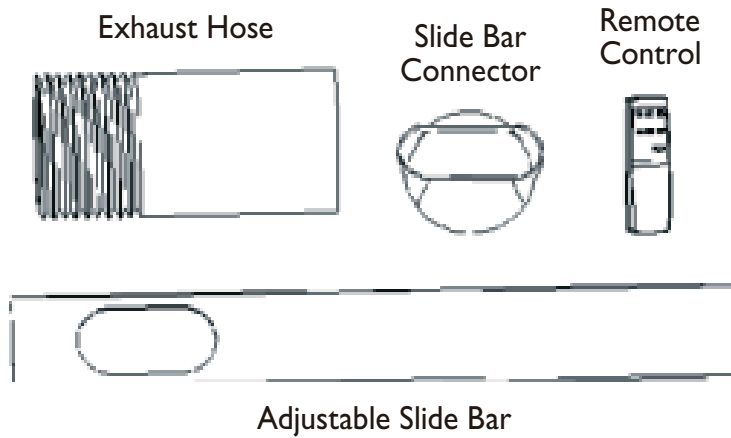
Front Side



Back Side



Check packing accessories and read your user's manual to learn how to use them.



THANK YOU

Thank you for choosing this innovative Amcor air conditioner. We suggest that you keep this manual in a safe place for future reference. It describes the many benefits and advanced features this unique product has to offer. Before you use your air conditioner you should carefully read these instructions to maximise this product's performance.

For over 50 years Amcor has specialised in complete indoor environmental control, manufacturing and marketing; dehumidifiers, portable air conditioners, coolers, air purifiers, ionisers and aroma therapy scent diffusers. These world class products incorporate the latest technological developments.

SAFETY INSTRUCTIONS

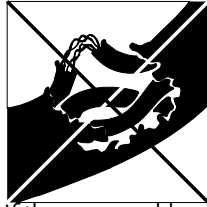
IMPORTANT!

- The unit is designed for indoor operation.
- Rating: This unit must be connected to a 220-240 V / 50 Hz earthed outlet.
- The installation must be in accordance with regulations of the country where the unit is used.

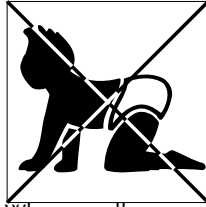
If you are in any doubt about the electrical installation, have it checked and if necessary modified by a qualified electrician.

- The air conditioner is safe. However, as with other electrical appliances, use it with care.
- This appliance is not intended for use by persons (including children) with reduced physical, sensory or mental capabilities, or lack of experience and knowledge, unless they have been given supervision or instruction concerning the use of the appliance by a person responsible for their safety.
- Children should be supervised to ensure that they do not play with the appliance.
- Do not clean the unit by spraying it or immersing it in water.
- Do not insert any object into the openings of the unit.
- Disconnect it from the mains before cleaning the unit or any of its components.
- Never connect the unit to an electrical outlet using an extension cord. If an outlet is not available, one should be installed by a licensed electrician.
- Never operate this appliance if it has a damaged cord or plug. Do not lead the cord over sharp edges.
- A damaged supply cord should be replaced by the manufacturer, its service agent or a qualified person in order to avoid a hazard.
- Any service other than regular cleaning or filter replacement should be performed by an authorized service representative. Failure to do so could result in a loss of warranty.

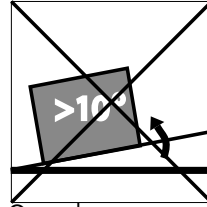
Do not use your air conditioner:



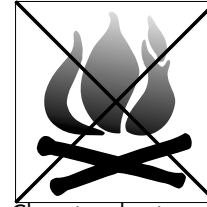
If the power cable wires are frayed or cut



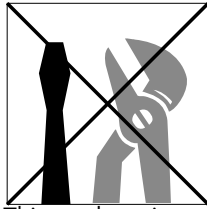
When small children may be left unattended



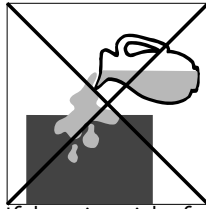
On a slope or uneven surface



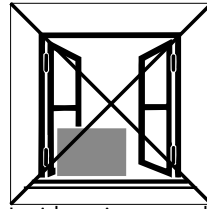
Close to a heat source



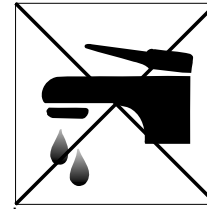
This products is not made for DIY repair



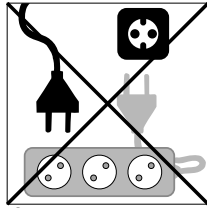
If there is a risk of liquid falling on the unit



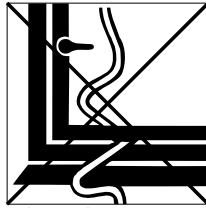
Inside unit exposed to the weather outdoors



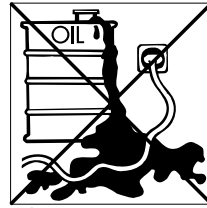
In a permanent very humid environment



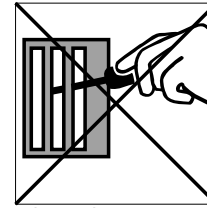
If an extension lead may become overloaded



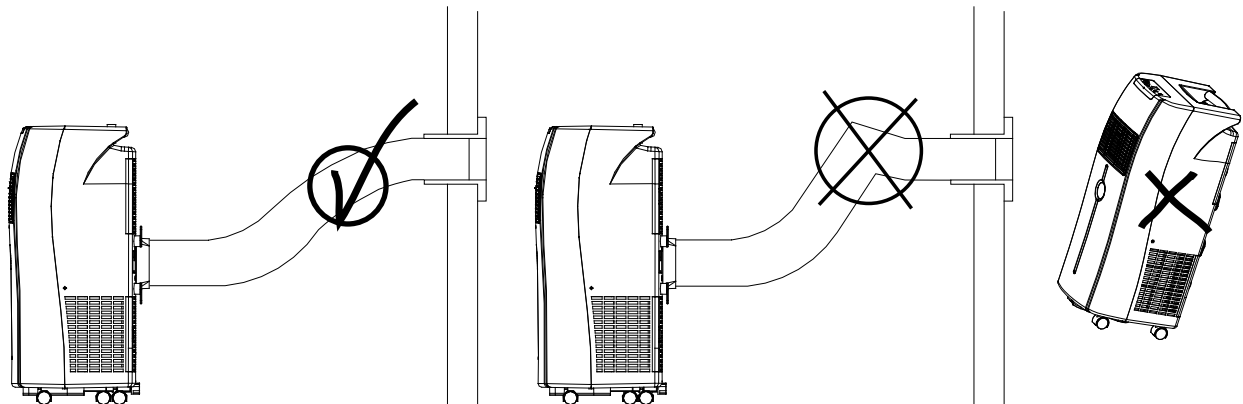
Where the power cable may be damaged



Where it may be damaged by chemicals



Where there is a risk of interference by foreign objects



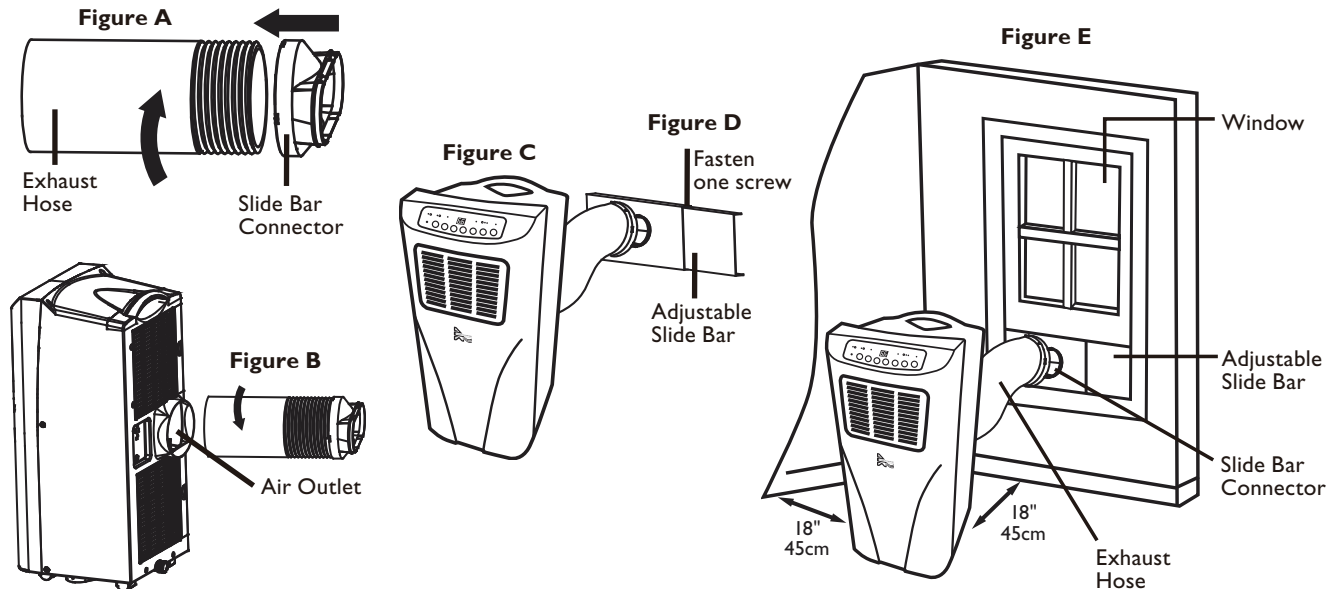
Disposal:

Waste electrical products must not be disposed of with household waste. This product should be taken to your local recycling centre for safe treatment.

POSITIONING

This unit can easily be moved from one room to another. In doing, so keep this in mind:

- The air conditioner must stand upright on an even surface.
- Do not position near bath, sink, or other permanent, wet or damp area.
- Keep unit at least 18" from wall, curtains, draperies, or heat sources to insure adequate air circulation.



Installing Exhaust Hose to Window Slide Bar

Note: The window kit is only designed to be installed with sliding windows or doors. The window kit is not designed or to be used with casement style windows.

Step 1:

Measure your window kit according to the dimensions of your sliding window. If in case the unit is larger than your required dimensions, it can be cut using a saw or power tool of the sort. If the unit is too short for your opening, you can order an additional window kit from our online store to extend it.

Step 2:

Screw slide bar connector into exhaust hose first (Figure A), then spin the exhaust hose into the air outlet located at the rear of the unit (counter-clockwise) (Figure B).

Step 3:

Insert slide bar connector into adjustable slide bar (Figure C). Extend the Slide Bar length to match the width of the window (vertically or horizontally), and then tighten the screw to hold the length of the slide bar (Figure D). Make sure the adjustable slide bar fits snug in your window and stays in place. Proceed to close and lock your window on the Slide Bar to secure in place (Figure E).

IMPORTANT

The exhaustible exhaust hose can be extended from 10.25" to 58.5" for mounting.

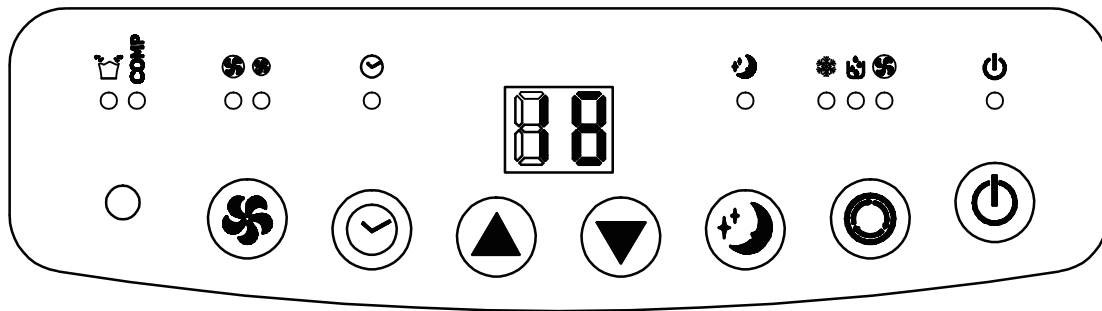
We recommend that you keep the hose as short as possible to minimize possible loss back in the room.

This length has been designed especially according to the specifications of the air conditioner.

Do not use an extension or exchange for a different hose as that may lead to malfunctioning.

The exhaust air must flow freely. Any blockage can lead to overheating of the air conditioner. Handle with care to prevent any kink or bend in the exhaust hose.

OPERATION



On/Off

Press "POWER" to switch the unit On or Off

Cooling Mode

After machine turns on, default value is cooling mode with 22°C and low fan speed.

Press "MODE" to select cooling mode, cooling mode indicator turns on .

Press "UP" or "DOWN" to adjust temperature (from 16°C to 31°C).

Press "FAN" to select fan speed (low, high)

Fan Mode

Press "MODE" to select fan mode, fan mode indicator turns on .

Press "FAN" to select fan speed (low, high)

Temperature and sleeping function cannot be setup.

Timer Mode

Under standby mode, press "TIMER" to setup the power-on time, press "UP" and "DOWN" to adjust the timer (from 1 to 24 hours). Timer indicator turns on.

Under power-on mode, press "TIMER" to setup power-off timer.

Press "UP" and "DOWN" to adjust the timer (from 1 to 24 hours). Timer indicator turns on.

Sleeping Mode

Press key "SLEEP" enter into sleeping mode, default value of fan speed is low.

When sleeping mode turns on , under cooling mode, the one hour later, setting temperature will go up 1°C, the second one hour later, setting temperature will go up another 1°C, and then keep the same;

Sleeping mode is invalid under dehumidifying and fan mode.

Under water full, machine standby and mode conversion, sleeping mode will be cancelled .

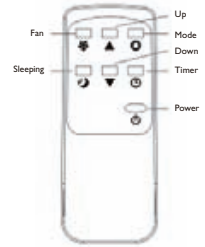
Compressor Protection

Three minutes later after power on / restart, compressor starts to run.

Remote control

The air conditioner responds to all signals that are sent by the remote control. Two AAA-batteries are required to use the remote control.

Note: the air flow direction can not be adjusted with the remote control.



Important:

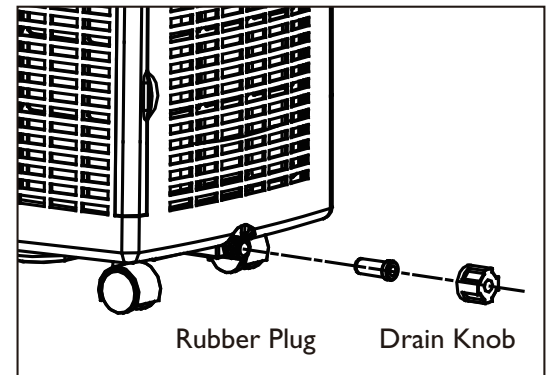
- The compressor will start approximately 3 minutes after the unit is turned on (this will help prolong the life of the compressor). After switching the unit off, please wait at least 3 minutes before turning the unit back on.
- The cooling will switch off when the room temperature is lower than the set one. Ventilation will however continue to work at the set level. When the ambient temperature rises above the chosen value, the cooling will resume.

EMPTYING THE WATER CONTAINER

In case of the **WATER FULL (W.F.) LED** alert, the unit is required to be drained. At the end of **AC Season**, this unit should be drained prior to storage. In both situations, we recommend that you take the following steps.

Switch off the unit and remove the plug from the outlet.

- Position a container or dish on the floor under the drain hole. Use container only for temporary draining of the unit, do not allow the water to drip continuously into the container, as it might easily overflow.
- Remove the drain knob.
- Remove the rubber plug, the water will flow in the container. When this is nearly full, replace the plug to stop the water flow and empty it. Repeat this process until all water has been removed.
- For seasonal storage purposes, put the unit ON in fan mode on a warm, dry day for a couple of hours to ensure that the inside can dry out completely. We also recommend allowing the unit to air dry for a period of 24 hours without the drain plug and cap in place.
- Insert the rubber plug into the drain hole firmly, the **WATER FULL LED (W.F.)** should not flash any longer.
- Screw on the drain knob.



Additional maintenance/tasks prior to storage.

- Clean the filters.
- Store the power cable as shown, protect the unit against dust (put back into its original carton) and store in a dry place not accessible for children.
- To protect the unit against dust, store in a dry place not accessible by children
- Do not stock heavy objects on top of the unit

CLEANING

Always unplug the unit from the power supply (wall outlet) before beginning the cleaning.

Housing

Use a soft, damp cloth to wipe the body clean. Never use strong chemicals, oil-based products, detergents, chemically treated cloths or other cleaning solutions. These could possibly damage the housing.

Filter

The active carbon filter must not be rinsed.

Use a vacuum cleaner or tap the filter lightly to remove loose dust and dirt from the filters and then rinse only the dust filter thoroughly under running water (not warmer than 31 °C). Dry thoroughly before replacing.

Notice! Never operate the air conditioner without the filters.

STORAGE

See the instructions "Emptying the water container".

- Drain the condensed water completely.
- Clean or change the filter.
- Put the unit on a warm day in fan mode for a couple of hours to ensure that the inside can dry out completely.
- Store the power cable as shown, protect the unit against dust (put back into its original carton) and store in a dry place not accessible for children.
- Do not stock heavy objects on top of the unit.

TROUBLE SHOOTING

Never try to repair or dismantle the air condition yourself. Incompetent repairs result in loss of warranty and can endanger the user and the property.		
Problem	Cause	Solution
The air conditioner does not function.	No power supply.	Connect to a functioning outlet and switch on.
	Is the power light flashing?	Empty the drain pan.
	Timer function is active.	Deactivate the TIMER function.
The air conditioner does not seem to perform.	The unit is in direct sunlight.	Close curtains.
	Windows or doors open, many people or a heat source in the room.	Close doors and windows, place an extra air conditioner.
	The filter is dirty.	Clean or replace the filter.
	Air inlet or air outlet blocked.	Remove the blockage.
	Room temperature lower than the selected value.	Change temperature selection. Set at the lowest possible setting: 18 °C.
The unit is noisy.	Unit stands uneven.	Place on an even, solid surface (less vibrations).
The compressor does not work.	The overheat protection is probably activated.	Wait 3 minutes until the temperature has decreased, then turn on the unit again.
The remote control does not function.	Distance too great.	Make sure the remote control is correctly aimed at the control panel.
	Remote control signal not detected by the control panel.	
	The batteries are drained.	Replace the batteries.
To correct problems that have not been described in the table and/or if the recommended solutions fail to solve the problem, contact an authorized service centre.		

TECHNICAL DATA

Model		SF10000E	SF12000E
Cooling capacity	BTU/h	10000	12000
Mains		220–240 V / 50 Hz / 1Ph	
Power consumption	W	890	1100
Current	A	3.95	4.95
Dehumidification	L/24h	20	24
Refrigerant *		R410A	
Compressor		rotary	
Fan speeds		2	
Thermostat	°C	16 – 31	
Timer	h	1 – 24	
Dimensions (W x H x D)	mm	320 x 730 x 360	
Net weight	kg	21	23
Subject to modifications without prior notice. Please refer to the rating label for greater precision.			



Amcor Ltd - Hong Kong

Suite 1010–1011, 10/F, Ocean Centre
Harbour City, 5 Canton Road,
Tsim Sha Tsui, Kowloon, Hong Kong
Tel: +852 2997 6865
Fax: +852 2997 6091
amcorhk@amcorgroup.com

Amcor Ltd - United Kingdom

9 Ryan Drive, West Cross Centre,
Great West Road, Brentford,
Middlesex, TW8 9ER, United Kingdom
Tel: +44 20 8560 4141
Fax: +44 20 8232 8814
amcoruk@amcorgroup.com

Amcor Inc. - USA

685-A Gotham Pkwy, Carlstadt,
New Jersey 07072,
United States of America
Tel: +1 201 460 8100
Fax: +1 201 460 9481
amcorusa@amcorgroup.com

Amcor B.V. - The Netherlands

Anton Philipsweg 9-11,
1422 AL Uithoorn,
The Netherlands
Tel: +31 297 560 079
Fax: +31 297 523 062
amcorex@amcorgroup.com

Amcor International Ltd - Israel

1 Sapir St.,
Herzeliya Pituach,
46733 Israel
Tel: +972 9951 5351
Fax: +972 9958 5650
amcoril@amcorgroup.com

Amcor Investments Pte Ltd - Singapore

545 Orchard Road,
13-02, Far East Shopping Centre,
Singapore 238882
Tel: +65 6297 9881
Fax: +65 6297 8891
amcorsg@amcorgroup.com

Amcor (Guangzhou) Ltd - China

Room 2903, 29/F Renfeng Tower,
490 Tianhe Road, Tianhe District,
Guangzhou, China 510630
Tel: +86 20 3888 6708
Fax: +86 20 3888 6619
amcorgz@amcorgroup.com

Amcor Ltd - Dong Guan, China

8/F Changwang Bldg, Dongxing Road
Changping Town, Dongguan City,
Guangdong Province, China
Tel: +86 769 8117 5780
Fax: +86 769 8117 5785
amcorcn@amcorgroup.com

Amcor Industries Ltd - China Factory

Xialiao village, longxi Town,
Boluo County, Huizhou City
Guandong Province, China
Tel: +86 752 6879 015
Fax: +86 752 6383 170
amcorappl@amcorgroup.com



AF 913125650A