

**DREO**

**Tower Fan  
Cruiser Pro T2**

USER MANUAL

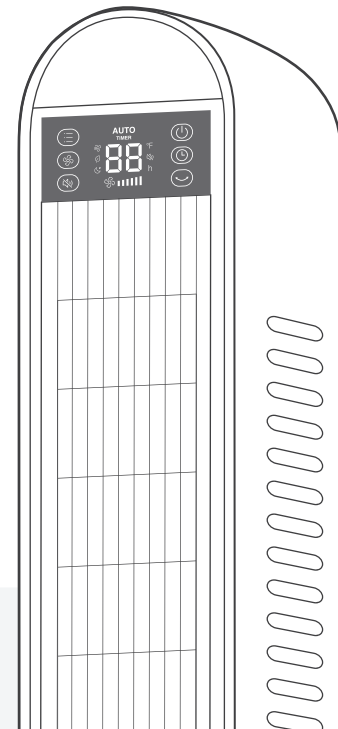
[www.dreo.com](http://www.dreo.com)

## Looking for help?

Contact us to get expert support.

 [support@dreo.com](mailto:support@dreo.com)  [\(888\) 290-1688](tel:(888)290-1688)  [www.dreo.com](http://www.dreo.com)

Mon - Fri, 9:00 am-5:00 pm PST/PDT



//

# Thanks for Choosing DREO!

Your support means the world to us. We hope you enjoy our product as much as we did creating it.

## CONTENTS

**1**

**IMPORTANT SAFETY  
INSTRUCTIONS**

1-2

**3**

**KNOWING YOUR  
TOWER FAN**

6-7

**5**

**CLEANING  
AND MAINTENANCE**

13-14

**7**

**DREO CUSTOMER  
CARE**

16

**2**

**ASSEMBLING YOUR  
TOWER FAN**

3-5

**4**

**USING YOUR TOWER  
FAN**

8-12

**6**

**TROUBLESHOOTING**

15

**8**

**DREO CUSTOMER  
CARE**

17-18

# IMPORTANT SAFETY INSTRUCTIONS



READ ALL CAUTIONARY MARKINGS ON THE APPLIANCE AND SAFETY INSTRUCTIONS IN THE USER MANUAL BEFORE USE.



**Do not** cover the air inlet and outlet while in operation.



**Do not** use the fan near flammables and combustibles.

## General Safety

1. Children shall not play with the appliance. Cleaning and maintenance shall not be performed by children without supervision.
2. Use the appliance as described in the user manual only. Any other use not recommended in the user manual may cause fire, electrical shock, or personal injury.
3. This appliance can be used by children aged above 8 years and persons with reduced physical, sensory or mental capabilities or lack of experience and knowledge if they have been given supervision or instruction concerning use of this appliance in a safe way and understand the hazards involved.

## Operation Safety

1. Place the appliance on a flat, dry surface before use.
2. **Do not** immerse in water and any other liquids.
3. **Do not** use the appliance until the base is installed.
4. **Do not** insert your fingers, pencil and any other objects into the grilles while in operation.
5. **Do not** dismantle, repair, or modify. All servicing should be performed by qualified personnel.


## Electricity Safety

1. Make sure that the voltage of your electricity supply is the same as that indicated on the appliance.

2. Always unplug before cleaning or leaving the appliance unused for a long period of time. Keep your hands dry when plugging / unplugging.
3. Do not operate any fan with a damaged cord or plug. Discard fan or return to an authorized service facility for examination and/or repair.
4. Do not run cord under carpeting. Do not cover cord with throw rugs, runners, or similar coverings. Do not route cord under furniture or appliance. Arrange cord away from traffic area and where it will not be tripped over.
5. **WARNING:** To reduce the risk of fire or electric shock, do not use this Fan with any solid-state speed control device.
6. This appliance employs overload protection (fuse). A blown fuse indicates an overload or short-circuit situation. If the fuse blows, unplug the product from the outlet. Replace the fuse as per the user servicing instructions and check the appliance. If the replacement fuse blows, a short-circuit may be present and the appliance should be discarded or returned to an authorized service facility for examination and/or repair.
7. This appliance has a polarized plug (one blade is wider than the other). To reduce the risk of electric shock, this plug is intended to fit in a polarized outlet only one way, If the plug does not fit fully in the outlet, reverse the plug. If it still does not fit, contact a qualified electrician. Do not attempt to defeat this safety feature.

# FOR HOUSEHOLD USE ONLY READ AND SAVE THESE INSTRUCTIONS

## Gentle Reminder:



Check the appliance regularly and refer to TROUBLESHOOTING or contact our customer support if it shows any of the following signs:

- Power cord or plug is damaged.
- Loud noise, unusual smell or excessive heat.

## Specifications

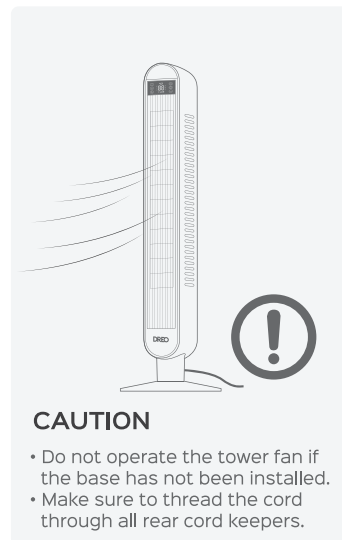
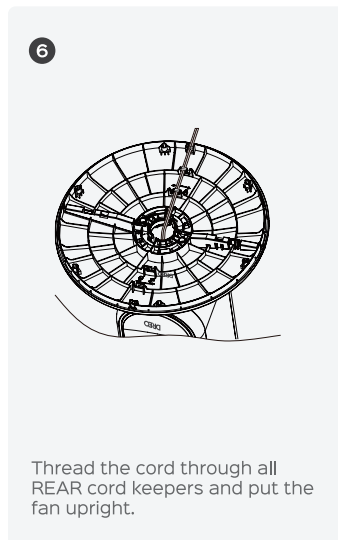
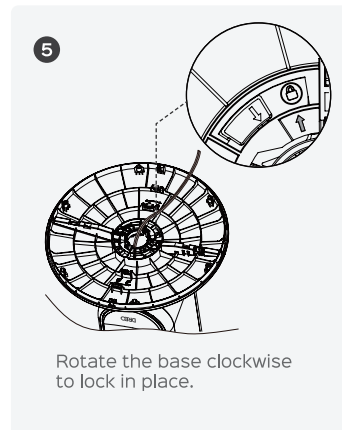
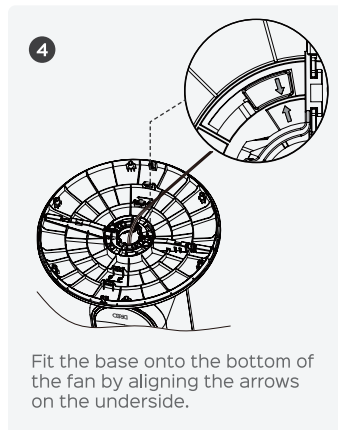
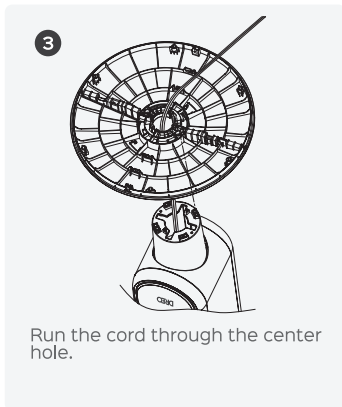
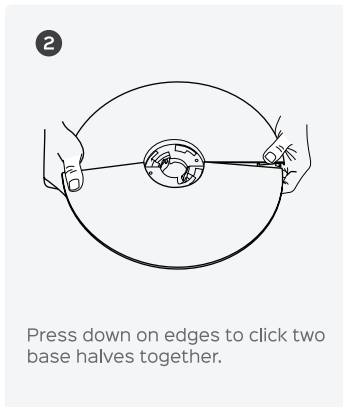
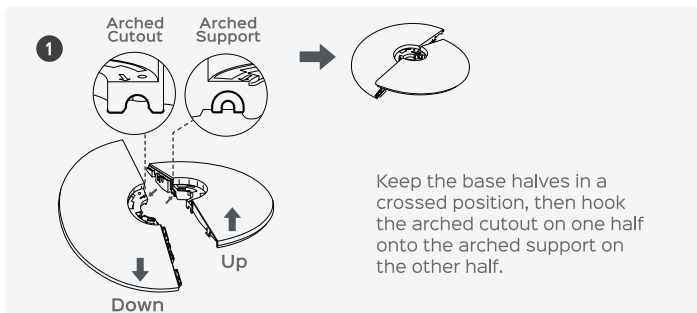
Model No.	DR-HTF002
Input	AC 120V 60Hz
Rated Power	50W
Battery Type	CR2025 3V

# ASSEMBLING YOUR TOWER FAN

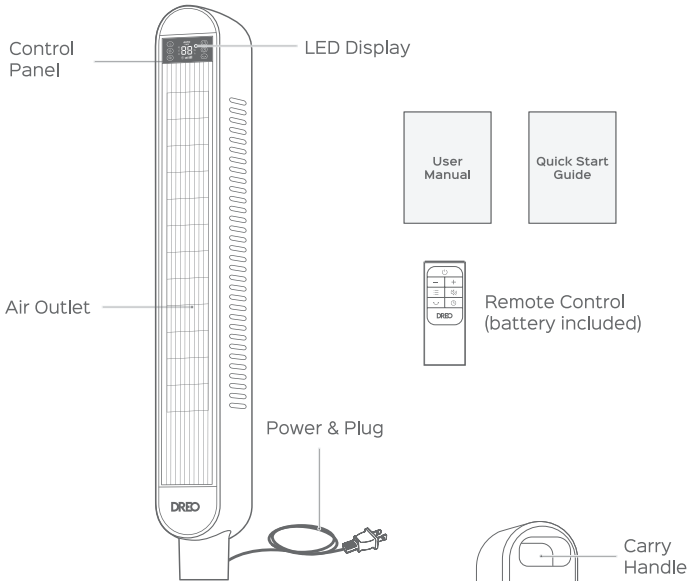
# 2

## Assembly Instructions

When using the appliance for the first time, remove the wraps and attach the parts by following the steps below.



## Package Contents



# KNOWING YOUR TOWER FAN

# 3

## Control Panel



### Power Button

Turn power on/off



### Mode Button

Switch between Normal/Natural/Sleep/Auto Mode



### Fan Speed Button

Adjust airflow volume (1-6 levels)



### Mute Button

Turn on/off button sounds



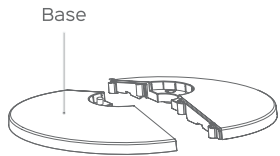
### Timer Button

Select to set a timer (0-12h)

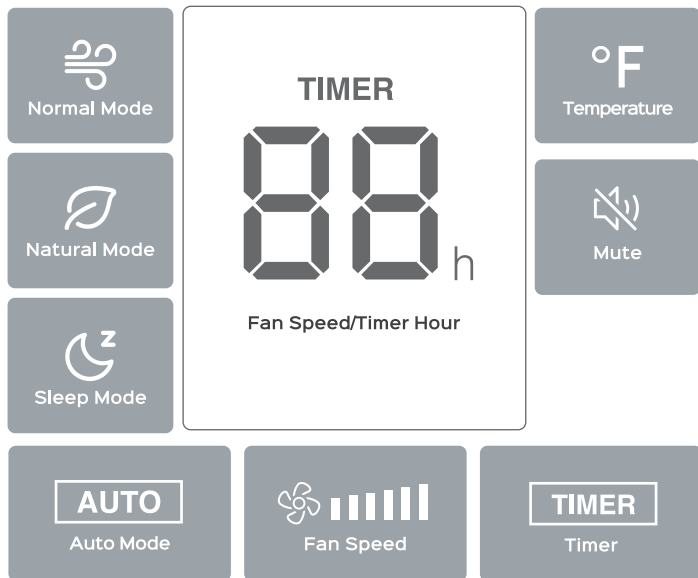


### Oscillation Button

Adjust airflow direction



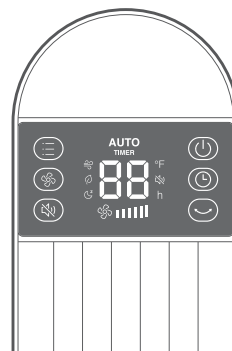
## LED Display



# USING YOUR TOWER FAN

## General Operations

# 4



- 1 Touch to turn on, and to choose a working mode.
- 2 Touch to adjust the airflow volume.
- 3 Touch to change the airflow direction.
- 4 Touch to set a timer.
- 5 Touch to turn off the fan.

## Working Modes

### Sleep Mode (Mute Auto On)

Fan speed decreases every 30 minutes.

Speed decreases by two levels at most and will remain constant if at level 1:

For level 6: 6 → 5 → 4

For level 5: 5 → 4 → 3

For level 4: 4 → 3 → 2

For level 3: 3 → 2 → 1

For level 2: 2 → 1

For level 1: 1

**Auto Mode**  
Fan speed adapts to the ambient temperature.

**Normal Mode**  
Fan runs at the constant speed.

**Natural Mode**  
Fan runs at alternating speeds.

## Additional Features



### Mute

Touch to turn on/off the button sounds.



### Speed/Temp Switch (long press)

The display shows the fan speed by default. Long press the Mode button to switch speed to temperature.



### Timer

When the fan is ON, touch the timer button repeatedly to set a timer (1-12 h). When the timer ends, the fan will stop running automatically. To cancel, set the time to 0 hour.

**Note:** Display will return to fan speed after 10 seconds.



### Memory

If the fan is turned OFF and connected to power, it will operate under the previous settings (except the timer setting) when it is turned ON again.

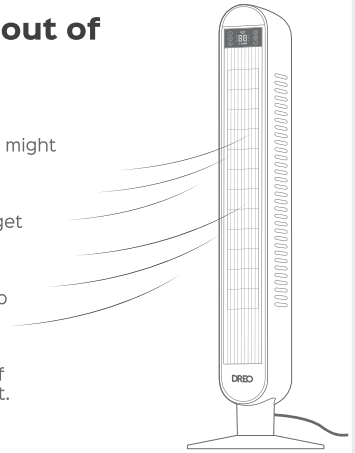


### Display Auto Off

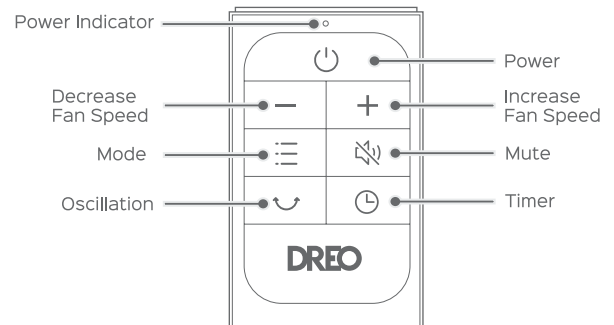
- Display turns off after 1 minute (after 5 seconds in Sleep mode).
- Wake up the display with any button.

## Getting the Most out of Your Tower Fan

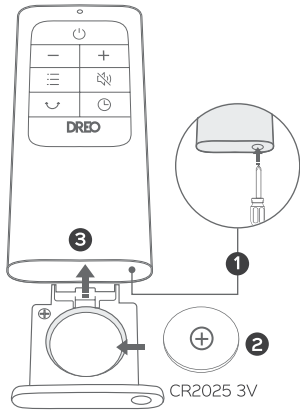
1. Remove any tall obstacles that might block the airflow from the fan.
2. Combine with your AC unit to get cooler air throughout the room.
3. Position the tower fan closer to you to get more direct airflow.
4. Place a bucket of ice in front of the fan for an extra cooling boost.



## Remote Control



## Battery Replacement



- 1 Press the locking button to pop out the battery holder.
- 2 Replace with the same battery type with the (+) side facing up.
- 3 Push in the holder until securely locked into place.

*Note: If the indicator on the remote control doesn't turn on any more, please consider replacing the battery.*

- a) Remove and immediately recycle or dispose of used batteries according to local regulations and keep away from children. Do NOT dispose of batteries in household trash or incinerate.
- b) Even used batteries may cause severe injury or death.
- c) Call a local poison control center for treatment information.
- d) Compatible battery type: CR2025.
- e) Battery nominal voltage: 3.0 Vdc
- f) Non-rechargeable batteries are not to be recharged.
- g) Do not force discharge, recharge, disassemble, heat above (rated temperature: 140 °F) or incinerate. Doing so may result in injury due to venting, leakage or explosion resulting in chemical burns.
- h) Ensure the batteries are installed correctly according to polarity (+ and -).
- i) Do not mix old and new batteries, different brands or types of batteries, such as alkaline, carbon-zinc, or rechargeable batteries.
- j) Remove and immediately recycle or dispose of batteries from equipment not used for an extended period of time according to local regulations.
- k) Always completely secure the battery compartment. If the battery compartment does not close securely, stop using the product, remove the batteries, and keep them away from children.

## ⚠ WARNING

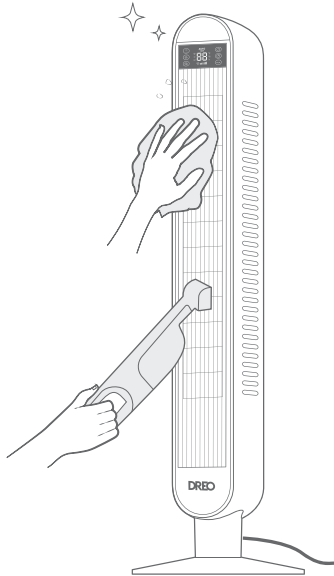
- **INGESTION HAZARD:** This product contains a button cell or coin battery
- **DEATH** or serious injury can occur if ingested.
- A swallowed button cell or coin battery can cause Internal Chemical **Burns** in as little as **2 hours**.
- **KEEP** new and used batteries **OUT OF REACH OF CHILDREN**
- **Seek immediate medical attention** if a battery is suspected to be swallowed or inserted inside any part of the body.





# CLEANING AND MAINTENANCE

# 5



## Outer Surface

Gently wipe off the dust with a soft, dry cloth.

## Grilles & Blades

Remove the dust using a vacuum or air duster.

## Base

The base can be disassembled in the reverse order of assembly.

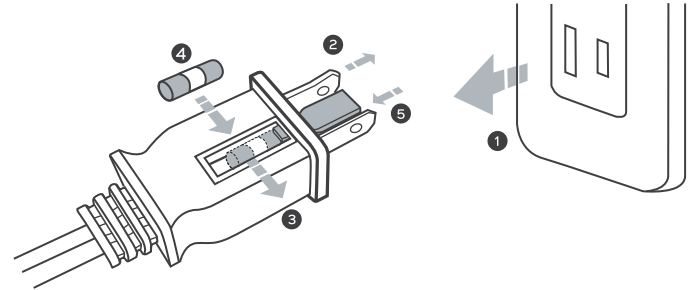
## CAUTION



1. Always unplug the fan before any cleaning or maintenance.
2. Do not immerse in water or get water inside the motor housing.
3. Do not use any chemical agents when cleaning the fan.
4. Store in a cool, dry place and cover it to protect from dust.

## User Servicing Instructions (Fuse)

This appliance features a fused safety plug that protects against overload or short-circuit situations. If the fuse blows, please cut off power and follow the below instructions or consult a qualified electrician.



- 1 Grasp plug and remove from the receptacle or other outlet device. Do not unplug by pulling on cord.
- 2 Open fuse cover. Slide open fuse access cover on top of attachment plug towards blades.
- 3 Remove fuse carefully. Push the fuse from the other side to remove the fuse.
- 4 Risk of fire. Replace fuse only with 2.5 Amp, 125 Volt fuse.
- 5 Close fuse cover. Slide closed the fuse access cover on top of attachment plug.



## WARNING

Risk of fire. Do not replace attachment plug. Contains a safety device(fuse) that should not be removed. Discard product if the attachment plug is damaged.

# TROUBLESHOOTING



## My fan won't turn on!

Make sure that the cord is connected to a powered outlet and the mains voltage corresponds with the voltage indicated on the fan.

## My fan is shaky and wobbling!

1. Place the fan on a flat, level surface.
2. Incorrect installation might also cause shakiness. Please refer to the assembly instructions in **page 3-4**. Note that the power cord must be run through all rear keepers.

## My fan is making vibration and noise!

1. Place the fan on a flat, level surface.
2. Be sure not to insert anything into the air inlet and outlet.

If your problem is not listed or still persists, please contact our Customer Support (**see page 18**)



## Correct Disposal of this product

This marking indicates that this product should not be disposed of with other household waste throughout the EU. To prevent possible harm to the environment or human health from uncontrolled waste disposal, recycle it responsibly to promote the sustainable reuse of material resources. To return your used device, please use the return and collection system or contact the retailer where the product was purchased. They can take this product for environmentally safe recycling.

# DREO CUSTOMER CARE



## Default 12-Month Warranty

This appliance is covered by Dreo warranty for 12 months from the date of its original purchase.

## Extend Your Warranty

Extend your warranty by registering your new appliance on our website <https://dreo.com/warranty>.

### The warranty will not apply in cases of:

1. Accident, misuse, or repairs performed by unauthorized personnel.
2. Any unit that has been tampered with or used for commercial purposes.
3. Normal wear and tear of wearable parts.
4. Use of force, damage caused by external influences.
5. Damage caused by non-observance of the User Manual, e.g. connection to an unsuitable mains supply or noncompliance with the instructions.
6. Partially or completely dismantled appliances.
7. Defects caused by or resulting from damages from shipping or from repairs, service, or alteration to the product or any of its parts that have been performed by a repair person not authorized by Dreo.

We can only provide after-sales service for products that are sold by Dreo or Dreo authorized retailers and distributors. If you have purchased the appliance from a different place, please contact your seller for return and warranty issues.

# FCC STATEMENT



This device complies with Part 15 of the FCC Rules.

This equipment has been tested and found to comply with the limits for a Class B digital device, pursuant to Part 15 of the FCC Rules. These limits are designed to provide reasonable protection against harmful interference in a residential installation. This equipment generates, uses and can radiate radio frequency energy and, if not installed and used in accordance with the instructions, may cause harmful interference to radio communications. However, there is no guarantee that interference will not occur in a particular installation.

Please note that changes or modifications of this product is not expressly approved by the party responsible for compliance could void the user's authority to operate the equipment.

If this equipment does cause harmful interference to radio or television reception, which can be determined by turning the equipment off and on, the user is encouraged to try to correct the interference by one or more of the following measures:

- Reorient or relocate the receiving antenna.
- Increase the separation between the equipment and receiver.
- Connect the equipment into an outlet on a circuit different from that to which the receiver is connected.
- Consult the dealer or an experienced radio/TV technician for help.

This device complies with Part 15 of the FCC Rules. Operation is subject to the following two conditions: (1) this device may not cause harmful interference, and (2) this device must accept any interference received, including interference that may cause undesired operation.

Model No.: DR-HTF002  
Rev\_1.4\_EN

## We're Here to Help!

 **(888) 290-1688** Mon - Fri, 9:00 am-5:00 pm PST/PDT

 [support@dreoworld.com](mailto:support@dreoworld.com)

 [www.dreoworld.com](http://www.dreoworld.com)

 Shenzhen Hesung Innovation  
Technology Co., LTD

 26F, Bldg A7, Creative City, Shenzhen, China



MADE IN CHINA



**Intertek**  
5020677