

Air Conditioning
Technical Data

ARXC-A

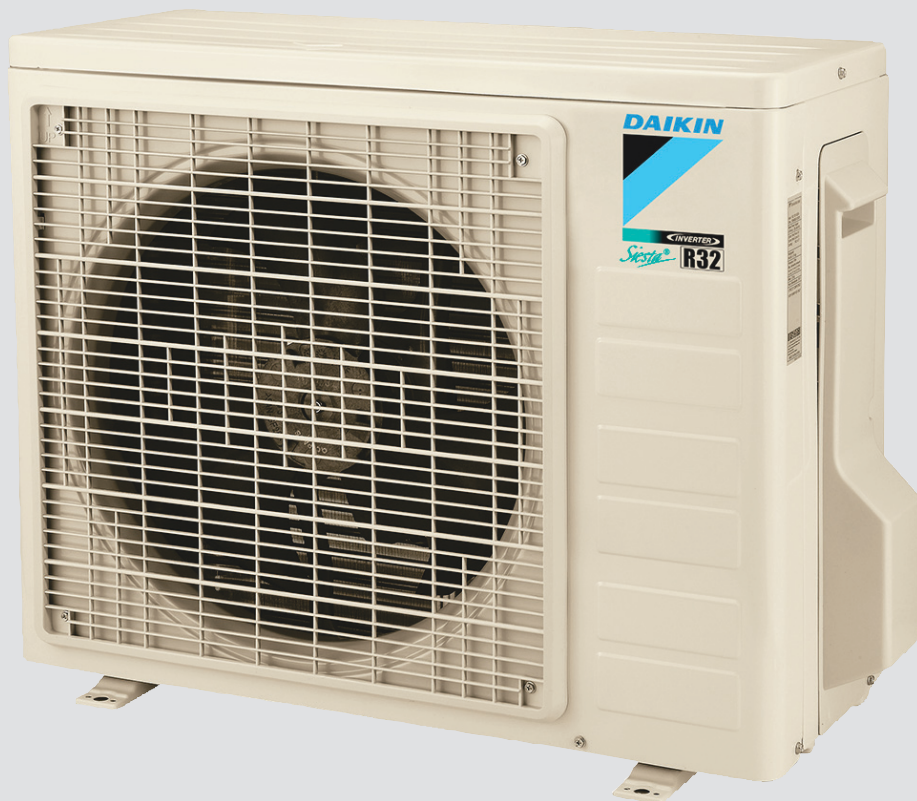


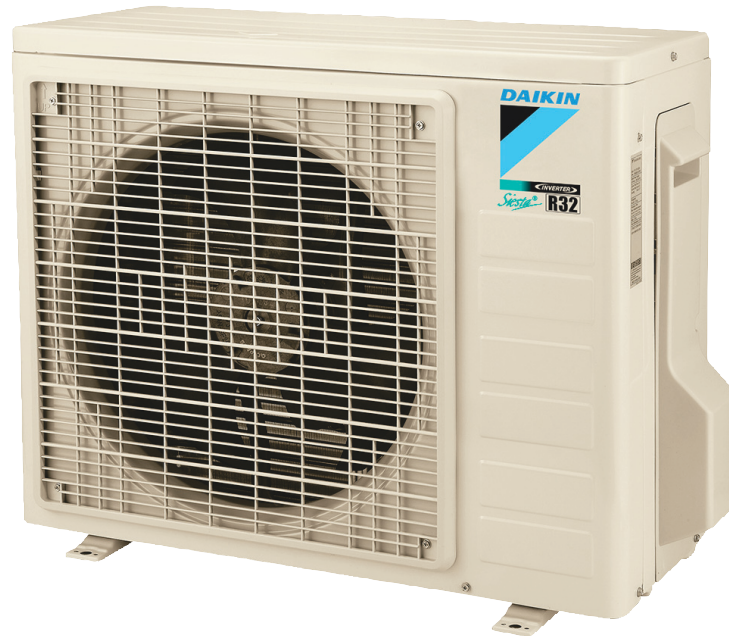
TABLE OF CONTENTS

ARXC-A

1	Features	2
2	Specifications	3
	Capacity and Power input	3
	Technical Specifications	4
	Electrical Specifications	6
3	Capacity tables	7
	Cooling/Heating Capacity Tables	7
4	Dimensional drawings	11
5	Piping diagrams	12
6	Wiring diagrams	14
	Wiring Diagrams - Single Phase	14
7	Operation range	16

1 Features

- Daikin outdoor units are neat, sturdy and can easily be mounted on a roof or terrace or simply placed against an outside wall
- Outdoor units for pair application
- Daikin outdoor units are equipped with an anti-corrosion treated heat exchanger (blue fin) which ensures greater resistance to the most severe weather conditions
- Choosing for an R-32 product, reduces the environmental impact with 68% compared to R-410A and leads directly to lower energy consumption thanks to its high energy efficiency



Inverter

2 Specifications

2-1 Capacity and Power input				ATXC25A/ARXC25A	ATXC35A/ARXC35A	ATXC50A/ARXC50A	ATXC60A/ARXC60A	
Cooling capacity	Rated		kW	2.56	3.37	5.48	6.23	
			Btu/h	8,700.00	11,500.00	18,700.00	21,300.00	
	Min.		kW	1.3		2.0	1.8	
			Btu/h	4,400.0		6,700.0	6,000.0	
	Max.		kW	3.0	3.8	6.2	6.5	
			Btu/h	10,200.0	13,000.0	21,200.0	22,200.0	
Heating capacity	Rated		kW	2.84	3.58	5.62	6.40	
			Btu/h	9,700.00	12,200.00	19,200.00	21,800.00	
	Min.		kW	1.30		1.20		
			Btu/h	4,400.0		4,100.0		
	Max.		kW	4.00	4.75	6.60	7.60	
			Btu/h	13,600.0	16,200.0	22,500.0	26,000.0	
Power input	Cooling	Min.	kW	280.00	290.00	380.00		
		Nom.	kW	830	1,280	1,550	1,810	
		Max.	kW	1,210.00	1,600.00	1,870.00	1,900.00	
	Heating	Min.	kW	300.00	270.00	260.00	240.00	
		Nom.	kW	780	1,000	1,520	1,630	
		Max.	kW	1,400.00	1,560.00	2,500.00	2,400.00	
Space cooling	Capacity	Pdesign	kW	2.56	3.37	5.48	6.24	
	Energy efficiency class			A++				
	SEER			6.12	6.11	6.77	6.19	
	Annual energy consumption			kWh/a	146	193	283	352
	A Condition (35°C - 27/19)	Pdc	kW	2.56	3.37	5.48	6.24	
		EERd		3.18	2.81	3.50	3.44	
	B Condition (30°C - 27/19)	Pdc	kW	1.89	2.25	4.23	4.76	
		EERd		5.12	4.83	5.33	4.72	
	C Condition (25°C - 27/19)	Pdc	kW	1.25	1.48	2.60	2.99	
		EERd		8.41	8.13	8.17	7.82	
	D Condition (20°C - 27/19)	Pdc	kW	1.29		2.07	2.09	
		EERd		10.7	11.4	13.4	11.3	
	Space heating (Average climate)	Capacity	Pdesign	kW	2.41	2.19	3.57	4.16
		Energy efficiency class			A+			
		SCOP/A			4.00		4.28	4.19
PdH Heating capacity at -10°			kW	1.65	1.80	2.96	3.34	
Annual energy consumption			kWh/a	773	768	1,167	1,388	
Required back up heating cap at design conditions			kW	0.550	0.390	0.610	0.820	
TOL		Tol (temperature operating limit)	°C	-14				
		Pdh (declared heating cap)	kW	1.26	1.61	2.70	2.89	
		COPd (declared COP)			1.79	2.09	2.17	2.26
TBivalent		Tbiv (bivalent temperature)	°C	-7				
		Pdh (declared heating cap)	kW	1.95	1.94	3.16	3.68	
		COPd (declared COP)			2.43	2.63	2.57	2.73
A Condition (-7°C)		Pdh (declared heating cap)	kW	1.95	1.94	3.16	3.68	
		COPd (declared COP)			2.43	2.63	2.57	2.73
B Condition (2°C)		Pdh (declared heating cap)	kW	1.09	1.29	1.91	2.04	
	COPd (declared COP)			4.24	4.14	4.51	4.42	
C Condition (7°C)	Pdh (declared heating cap)	kW	0.980		1.52	1.55		
	COPd (declared COP)			5.22	5.17	5.59	4.93	
D Condition (12°C)	Pdh (declared heating cap)	kW	1.15	1.17	1.78	1.77		
	COPd (declared COP)			6.42	6.34	7.01	6.71	

2 Specifications

2-1 Capacity and Power input				ATXC25A/ARXC25A	ATXC35A/ARXC35A	ATXC50A/ARXC50A	ATXC60A/ARXC60A	
Current	Nominal running current (RLA) - 50Hz	Cooling	A	3.7	5.7	6.9	8.1	
		Heating	A	3.5	4.5	6.7	7.2	
Cooling function included				Yes				
Heating function included				Yes				
Average climate included				Yes				
Cold season included				No				
Warm season included				Yes				
Ecolabel logo				No				
Power consumption in other than active mode	Crankcase heater mode	PCK	W	0.00				
	Off mode	POFF	W	3.00		6.00		
	Standby mode	Cooling	PSB	W	3.00		6.00	
		Heating	PSB	W	3.0		6.0	
Power factor	Nominal	Cooling	%	0.98 (1)				
		Heating	%	0.97 (1)		0.98 (1)		
Space heating (Warm climate)	Capacity	Pdesignh	kW	2.09	2.34	4.46	5.47	
	Energy efficiency class			A++				
	SCOP			4.89	4.95	5.32	5.34	
	Annual energy consumption			kWh/a	598	661	1,174	1,433
	Required back up heating cap at design conditions			kW	0.00			
	TOL	Tol (temperature operating limit)	°C	-14				
		Pdh (declared heating cap)	kW	1.26	1.61	2.70	3.68	
		COPd (declared COP)		1.79	2.09	2.17	2.73	
	TBivalent	Tbiv (bivalent temperature)	°C	2				
		Pdh (declared heating cap)	kW	2.09	2.34	4.46	5.47	
		COPd (declared COP)		2.77	3.06	2.83	2.92	
	B Condition (2°C)	Pdh (declared heating cap)	kW	2.09	2.34	2.00		
		COPd (declared COP)		2.27	3.06	4.46	5.47	
		Power input	kW	-		2.83	2.92	
	C Condition (7°C)	Pdh (declared heating cap)	kW	1.23	1.39	7.00		
		COPd (declared COP)		5.10	5.14	2.88	3.66	
Power input		kW	-		4.93	5.07		
D Condition (12°C)	Pdh (declared heating cap)	kW	1.15	1.17	12.0			
	COPd (declared COP)		6.42	6.34	1.78	1.77		
	Power input	kW	-		7.01	6.71		

Notes

(1) The sound power level is an absolute value indicating the power which a sound source generates.

2-2 Technical Specifications				ARXC25A	ARXC35A	ARXC50A	ARXC60A
Casing	Colour			Ivory white			
	Material			Steel			
Dimensions	Unit	Height	mm	550		651	753
		Width	mm	658		855	
		Depth	mm	273		328	
	Packed unit	Height	mm	580		693	793
		Width	mm	775		990	
		Depth	mm	355		415	
Weight	Unit		kg	24.0	26.0	41.0	44.0
	Packed unit		kg	26	28	44	47

2 Specifications

2-2 Technical Specifications					ARXC25A	ARXC35A	ARXC50A	ARXC60A	
Packing	Material				EPS-Foam / Corrugated board				
	Weight		kg		2		3		
Heat exchanger	Length		mm		662	627	856	857	
	Rows	Quantity			1	2	3	4	
	Fin pitch		mm		1.41				
	Face area		m ²		0.330	0.320	0.500	0.620	
	Tube type				Inner Groove				
	Tube material				Copper				
	Tube diameter		mm		7				
	Fin	Type			Aluminium				
Treatment			Hydrophilic						
Compressor	Power input	Heating	Nom.	W	830	1,280	1,550	1,810	
	Quantity				1				
	Model				1GDY25BXD		2YC40GXD		
	Oil Amount		cm ³		375		650		
	Type				Hermetic swing				
	Oil Type				FW68DA				
Fan	Type				Propeller				
	Discharge direction				Horizontal				
	Quantity				1				
	Air flow rate	Heating	Nom.	m ³ /min	900.0	730.0	1,690.0	1,796.0	
Fan motor	Quantity				1				
	Model				MSLY10/15F-1		M5MSY20/25/30BR-1-NS		
	Index of Protection				24		23		
	Insulation grade				Class "E"				
	Poles				8				
	Output		W		41		61		
	Drive				Direct drive				
	Speed	Heating	Nom.	rpm	840		880		
Sound power level	Cooling		dBA	58	60	64	65		
Sound pressure level	Cooling	High	dBA	45	46	51			
Refrigerant	Type				R-32				
	Charge		kg		0.600	0.800	1.10	1.20	
			TCO ₂ eq		0.410	0.540	0.740	0.810	
	Control				EXV				
	GWP				675.0				
Piping connections	Liquid	Quantity			1				
		Type				Flare connection			
		OD	mm		6.4				
	Gas	Quantity			1				
		Type				Flare connection			
		OD	mm		9.50		12.7		
	Drain	Quantity			1				
		Type				Drain Joint			
		OD	mm		16				
	Piping length	OU - IU	Min.	m	3				
			Max.	m	20				
		System	Equivalent	m	15 (1)				
			Chargel ess	m	7.5				
	Additional refrigerant charge			kg/m	See installation manual				

2 Specifications

2

2-3 Electrical Specifications				ARXC25A	ARXC35A	ARXC50A	ARXC60A
Power supply	Name			V1			
	Phase			1~			
	Frequency		Hz	50			
	Voltage		V	220-240			
	Voltage range	Min.	%	220			
		Max.	%	240			

Notes

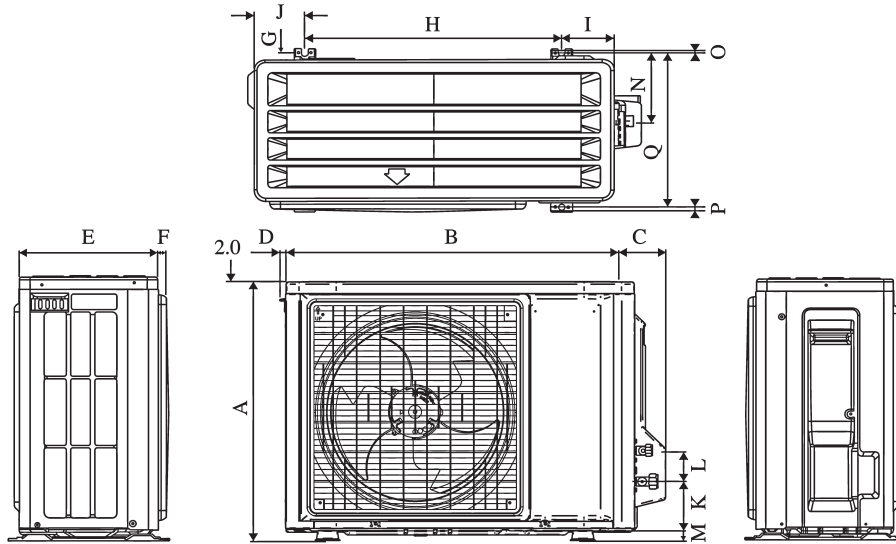
(1) The sound power level is an absolute value indicating the power which a sound source generates.

4 Dimensional drawings

4 - 1 Dimensional Drawings

ARXC25-35A

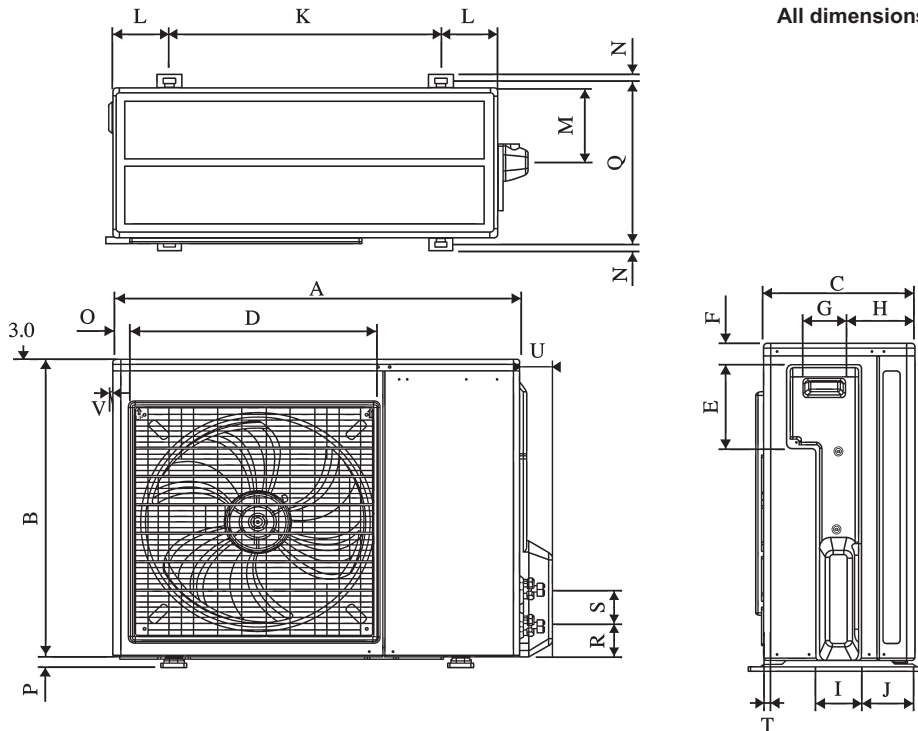
All dimensions are in mm



Model	Dimensions	A	B	C	D	E	F	G	H	I	J	K	L	M	N	O	P	Q
25/35		550	658	51	11	273	16	14	470	96	93	64	60	14	133	8	10	299

ARXC50-60A

All dimensions are in mm

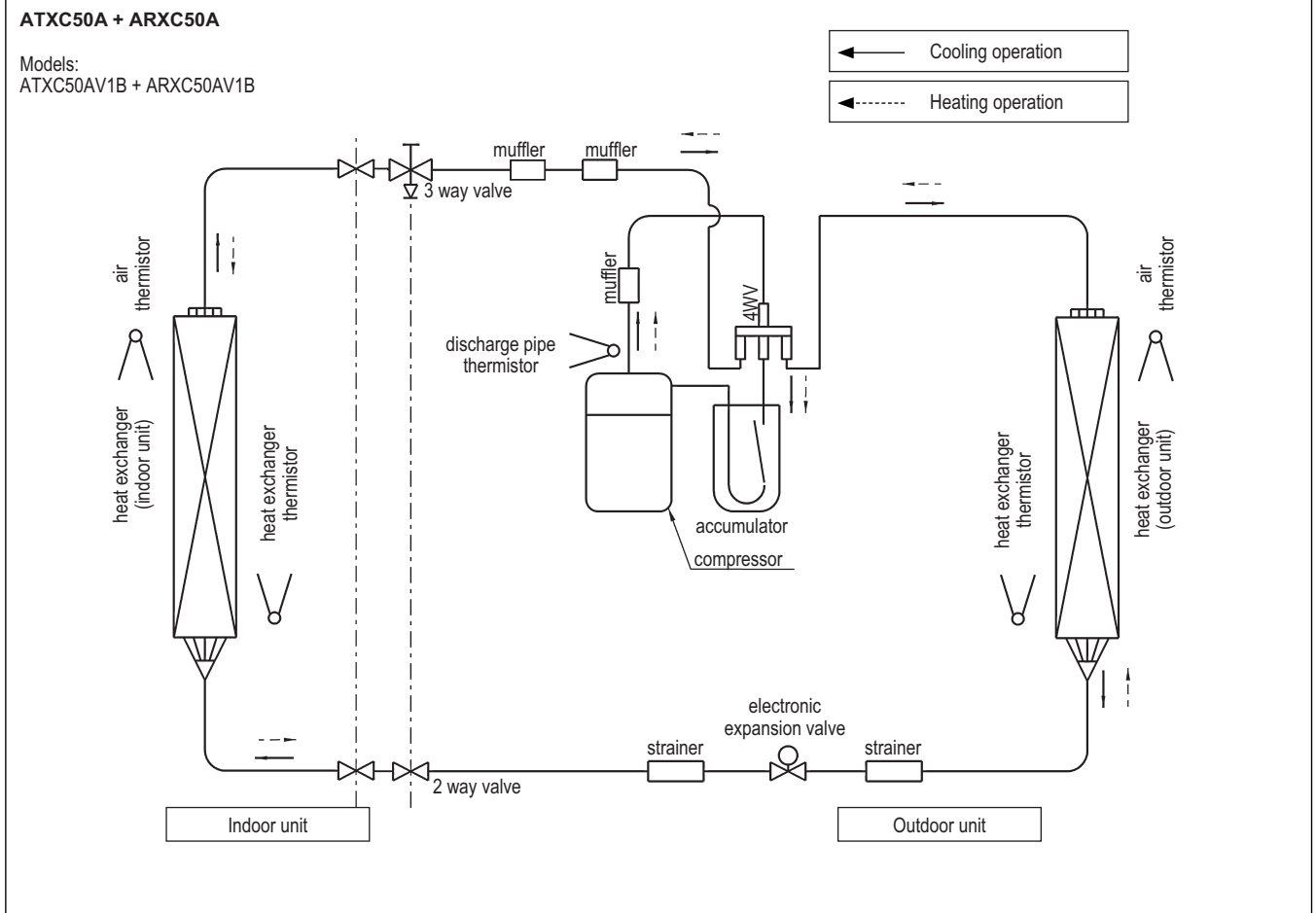
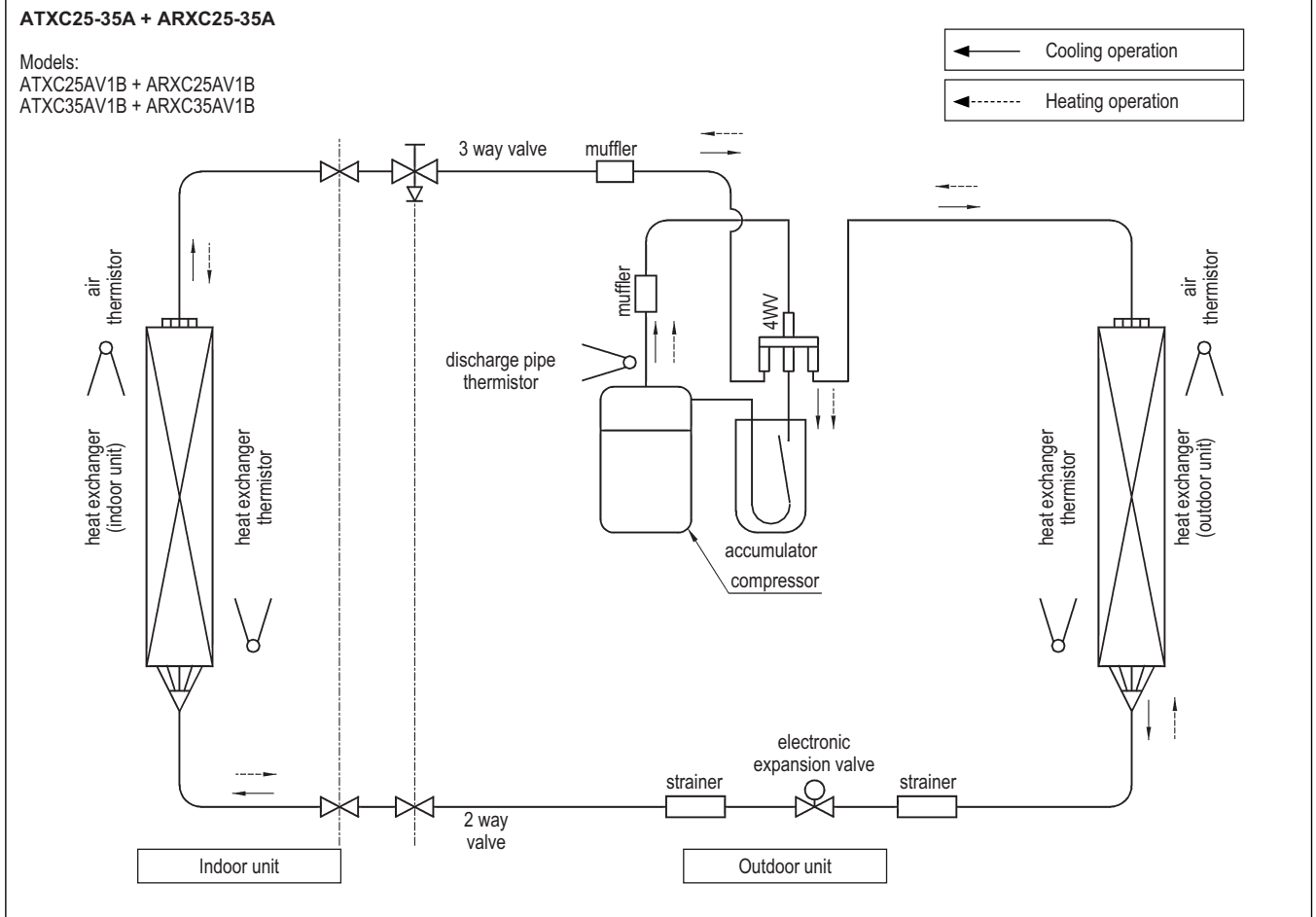


Model	Dimensions	A	B	C	D	E	F	G	H	I	J	K	L	M	N	O	P	Q	R	S	T	U	V
50		855	628	328	520	179	46	93	149	101	113	603	126	164	15	34	23	362	73	75	8	67	7
60		855	730	328	520	179	46	93	149	101	113	603	126	164	15	34	23	362	73	75	8	67	7

5 Piping diagrams

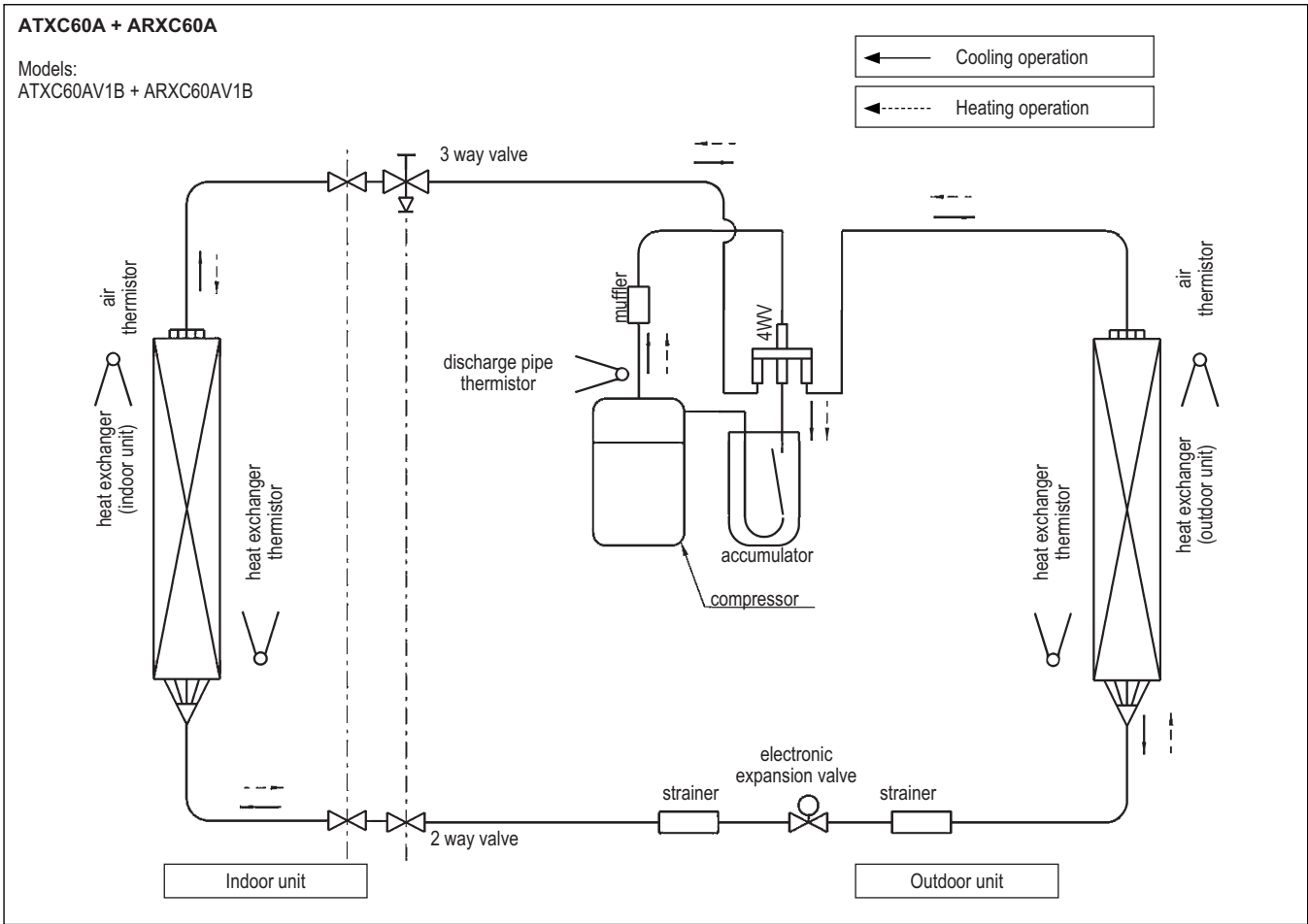
5 - 1 Piping Diagrams

5



5 Piping diagrams

5 - 1 Piping Diagrams



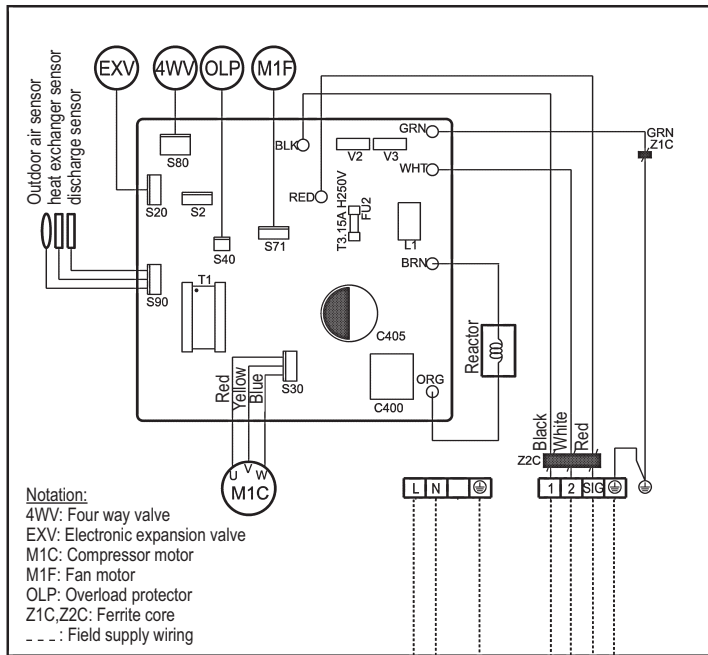
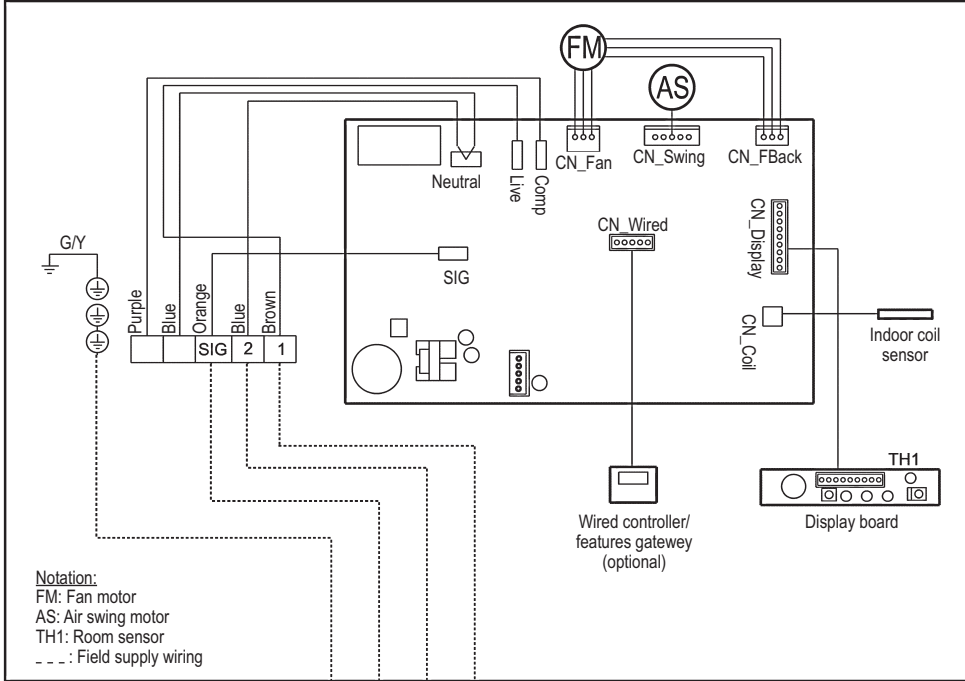
6 Wiring diagrams

6 - 1 Wiring Diagrams - Single Phase

6

ATXC25-35A + ARXC25-35A

Wiring Diagram:
 ATXC25AV1B - ARXC25AV1B
 ATXC35AV1B - ARXC35AV1B



Power supply
 220-240V/1Ph/50Hz

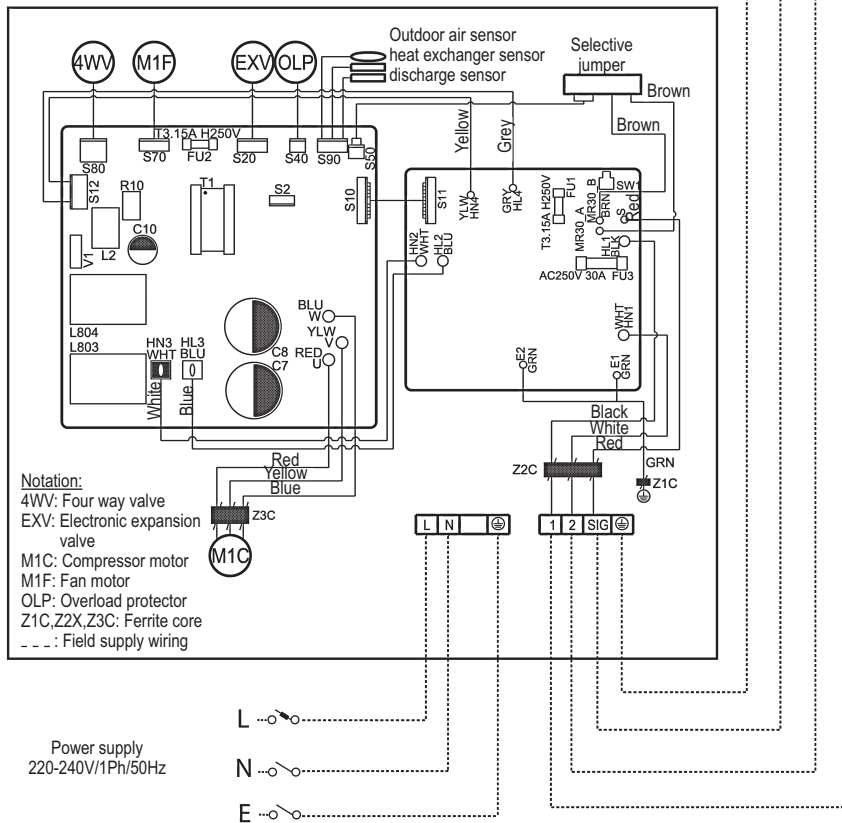
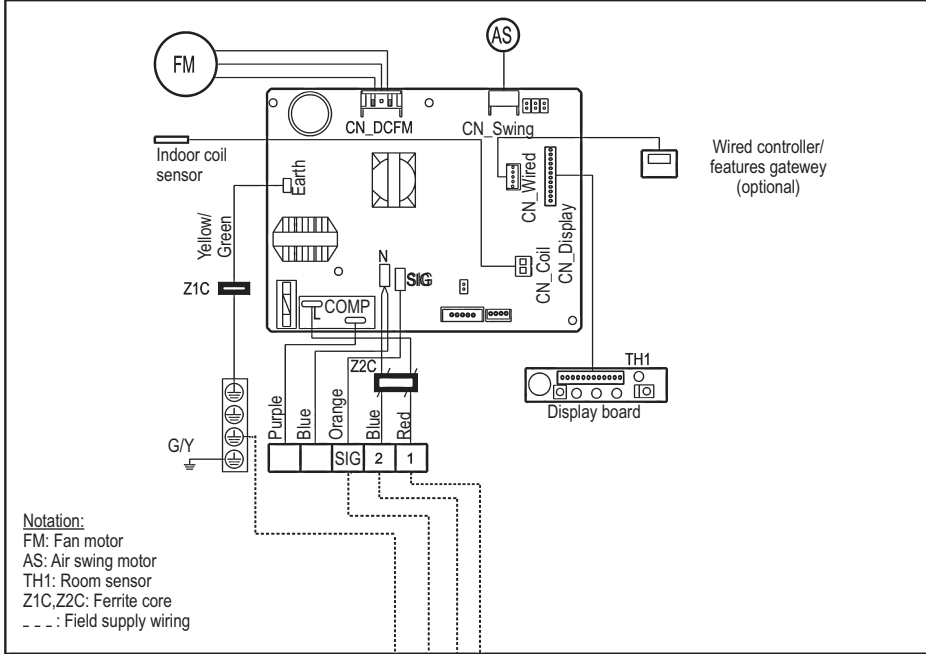
L -
 N -
 E -

6 Wiring diagrams

6 - 1 Wiring Diagrams - Single Phase

ATXC50-60A + ARXC50-60A

Wiring Diagram:
 ATXC50AV1B - ARXC50AV1B
 ATXC60AV1B - ARXV60AV1B



7 Operation range

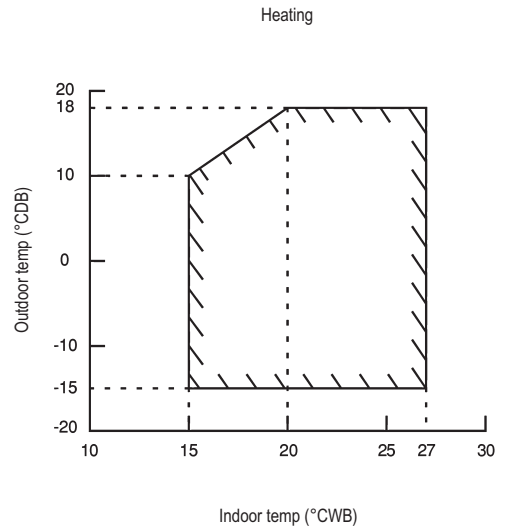
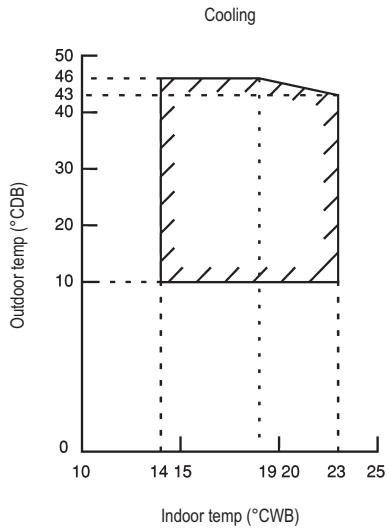
7 - 1 Operation Range

7

ARXC25-35A

Heat Pump Model

Model: ATXC 25/35 ARXC 25/35

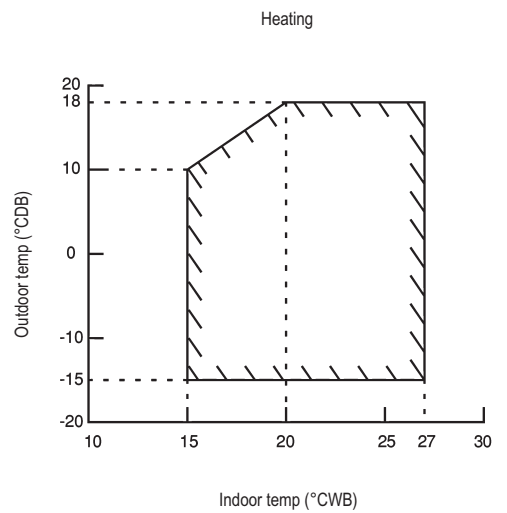
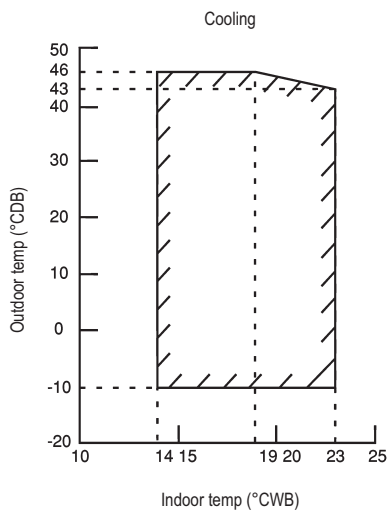


DB: Dry bulb WB: Wet bulb

ARXC50-60A

Heat Pump Model

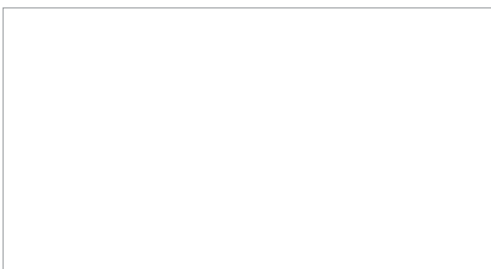
Model: ATXC 50/60 ARXC 50/60



DB: Dry bulb WB: Wet bulb



Daikin Europe N.V. Naamloze Vennootschap - Zandvoordestraat 300, B-8400 Oostende - Belgium - www.daikin.eu - BE 0412 120 336 - RPR Oostende



EEDEN18 05/18



Daikin Europe N.V. participates in the Eurovent Certified Performance programme for Liquid Chilling Packages and Hydronic Heat Pumps, Fan Coil Units and Variable Refrigerant Flow systems. Check ongoing validity of certificate: www.eurovent-certification.com



The present leaflet is drawn up by way of information only and does not constitute an offer binding upon Daikin Europe N.V.. Daikin Europe N.V. has compiled the content of this leaflet to the best of its knowledge. No express or implied warranty is given for the completeness, accuracy, reliability or fitness for particular purpose of its content and the products and services presented therein. Specifications are subject to change without prior notice. Daikin Europe N.V. explicitly rejects any liability for any direct or indirect damage, in the broadest sense, arising from or related to the use and/or interpretation of this leaflet. All content is copyrighted by Daikin Europe N.V.