

**Refrigerator**  
**TOP MOUNTED FREEZER SERIES**

# **USER MANUAL**

**MDRT294FGE01**  
**MDRT294FGE50**  
**MERT210FGE01**  
**MERT210FGE50**

Warning notices: Before using this product, please read this manual carefully and keep it for future reference. The design and specifications are subject to change without prior notice for product improvement. Consult with your dealer or manufacturer for details. The diagram above is just for reference. Please take the appearance of the actual product as the standard.



# LANGUAGES

<b>EN</b>	English
<b>DE</b>	Deutsch
<b>FR</b>	Français
<b>IT</b>	Italiano
<b>ES</b>	Español
<b>PT</b>	Português
<b>PL</b>	Polski
<b>CZ</b>	Čeština
<b>HU</b>	Magyar
<b>SK</b>	Slovensky
<b>SR</b>	Srpski
<b>HR</b>	Hrvatski
<b>SL</b>	Slovenščina
<b>RO</b>	Română
<b>BG</b>	Български
<b>AL</b>	Shqip
<b>GR</b>	Ελληνικά
<b>LV</b>	Latviešu
<b>LT</b>	Lietuvių

## THANK YOU LETTER

Thank you for choosing Midea! Before using your new Midea product, please read this manual thoroughly to ensure that you know how to operate the features and functions that your new appliance offers in a safe way.

# CONTENTS

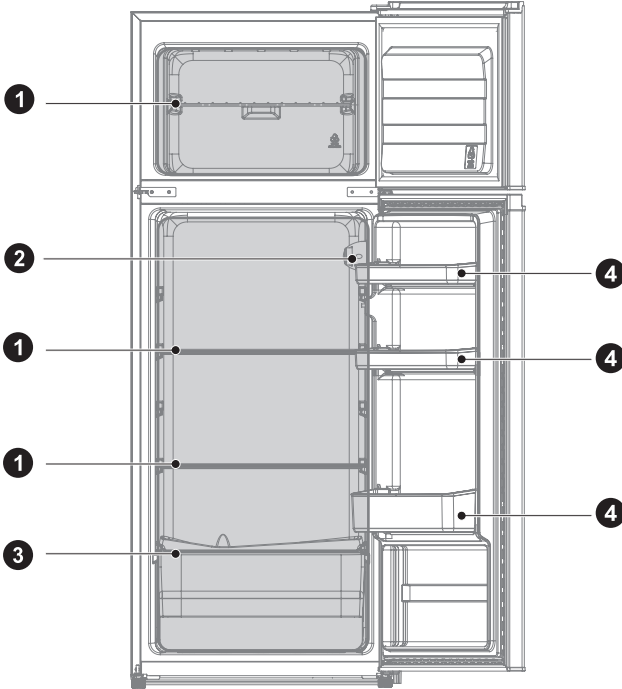
THANK YOU LETTER	01
SPECIFICATIONS	02
PRODUCT OVERVIEW	03
PRODUCT INSTALLATION	04
OPERATION INSTRUCTIONS	11
CLEANING AND MAINTENANCE	13
TROUBLESHOOTING	15
DOC AND CERTIFICATIONS	17
APPENDIX	18

# SPECIFICATIONS

<b>Product model</b>	<b>MDRT294FGE01/MDRT294FGE50 /MERT210FGE01/MERT210FGE50</b>
Fresh Food Storage Compartment Volume	163 L
Frozen Food Storage Volume	41 L
Defrosting Type	Manual-defrost
Temperature Rise Time	8 h
Freezing Capacity	2,0 kg/24h
Rated Voltage	220-240 V~
Rated Current	0,5 A
Overall Dimension (H x W x D)	1430x550x550 mm

# PRODUCT OVERVIEW

## Names of components



1 Shelf

2 Thermostat

3 Crisper

4 Door Tray

### ● ATTENTION

The picture above is only for reference. The actual configuration will depend on the physical product or statement by the distributor

# PRODUCT INSTALLATION

## Install Instruction

### For refrigerating appliances with climate class

- Depending on the climate class, This refrigerating appliance is intended to be used at ambient temperatures range as specified following table.
- The climate class can be found on the rating plate. The product may not operate properly at temperatures outside of the specific range.
- You can find the climate class on the product label.

### Effective temperature range

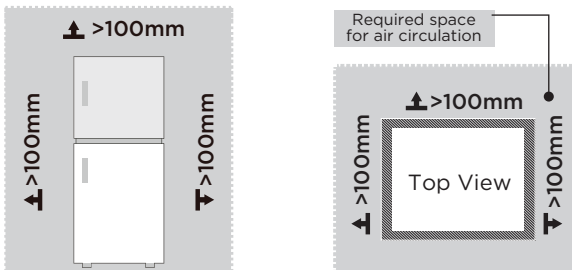
- The product is designed to operate normally in the temperature range specified by its class rating.

Class	Symbol	Ambient temperature range °C	
		IEC 62552 (ISO 15502)	ISO 8561
Extended temperate	SN	+ 10 to + 32	+ 10 to + 32
Temperate	N	+ 16 to + 32	+ 16 to + 32
Subtropical	ST	+ 16 to + 38	+ 18 to + 38
Tropical	T	+ 16 to + 43	+ 18 to + 43

EN

### Dimensions and Clearances

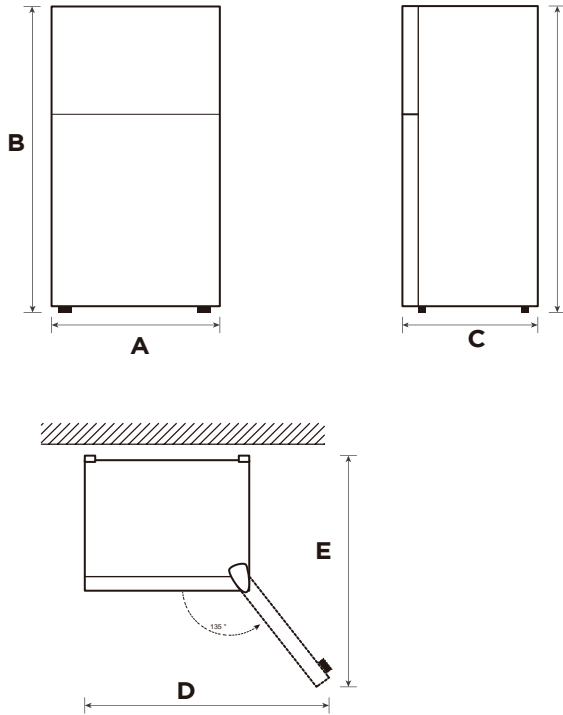
- Too small of a distance from adjacent items may result in the degradation of freezing capability and increased electricity costs. Allow over 100 mm of clearance from each adjacent wall when installing the appliance.



### ATTENTION

The picture above is only for reference. The actual configuration will depend on the physical product or statement by the distributor

Space requirement diagram (when the door is open and when the door is closed)



EN

Width	Overall Height	Depth	Width doors open 135°	Depth doors open 135°
A	B	C	D	E
550	1430	550	902	1052

Notice: All dimensions in mm





## Leveling feet

To avoid vibration, the unit must be leveled.

If required, adjust the leveling screws to compensate for the uneven floor.

The front should be slightly higher than the rear to aid in door closing.

Leveling screws can be turned easily by tipping the cabinet slightly.

Turn the leveling screws counterclockwise  to raise the unit, clockwise  to lower it.

## Moving the appliance

1. Remove all food from inside the appliance.
2. Pull the power plug out, insert and fix it into the power plug hook at the rear or on top of the appliance.
3. Tape parts such as shelves and the door handle to prevent from falling off while moving the appliance.
4. Move the appliance with more than two people carefully. When transporting the appliance over a long distance, keep the appliance upright.
5. After installing the appliance, connect the power plug into a socket out to switch on the appliance.

### ATTENTION

The picture above is only for reference. The actual configuration will depend on the physical product or statement by the distributor

## Door right-left change(optional)

Based on the location where you plan to use your refrigerator, you may find it more convenient to reverse the position of the door.

### CAUTION

**CAUTION:** To avoid injury to yourself or your property, we recommend that someone assist you during the door reversal process.

Preparing to reverse the door position

You will need: A standard screwdriver, a Phillips screwdriver, and the included Allen wrench.

- Make sure that your refrigerator is unplugged and empty.
- Have someone available to assist you in the process.
- Keep all of the parts you remove to reuse them later.

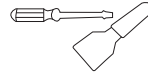
### Tools needed for changing the door:



Cross screwdriver



5/16" socket and ratchet



Putty knife  
thin-blade screwdriver

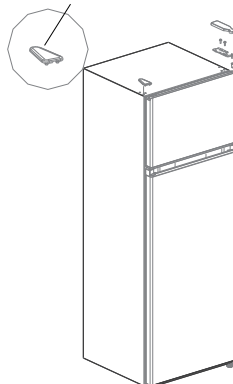


Masking tape

### Step

1. Power off the refrigerator, and remove all objects from the door trays.
2. Take off top hinge cover, top hinge, the sleeve pipe of freezer door and hole cap of other side.

hole cap

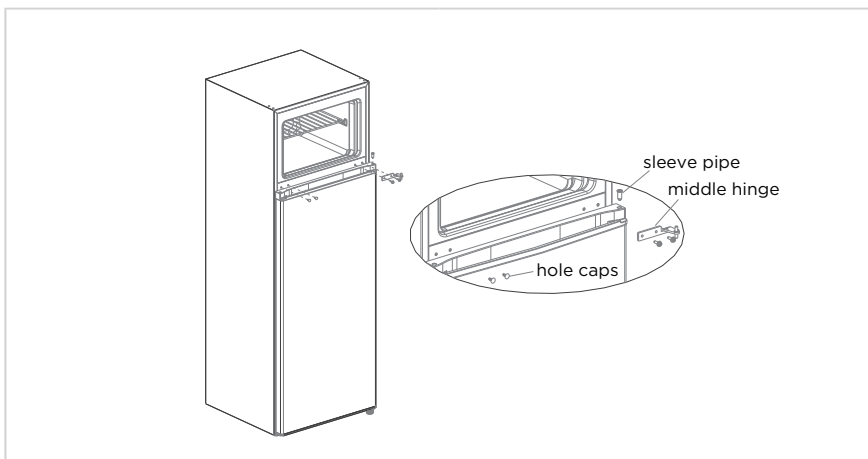


hinge cover

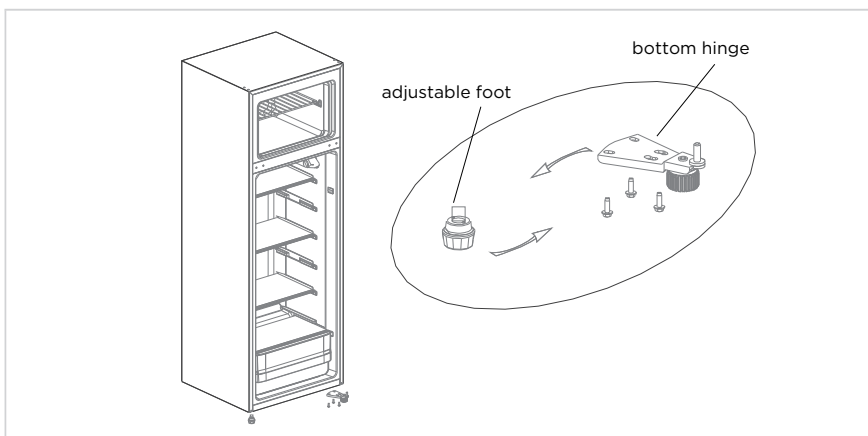
top hinge

sleeve pipe

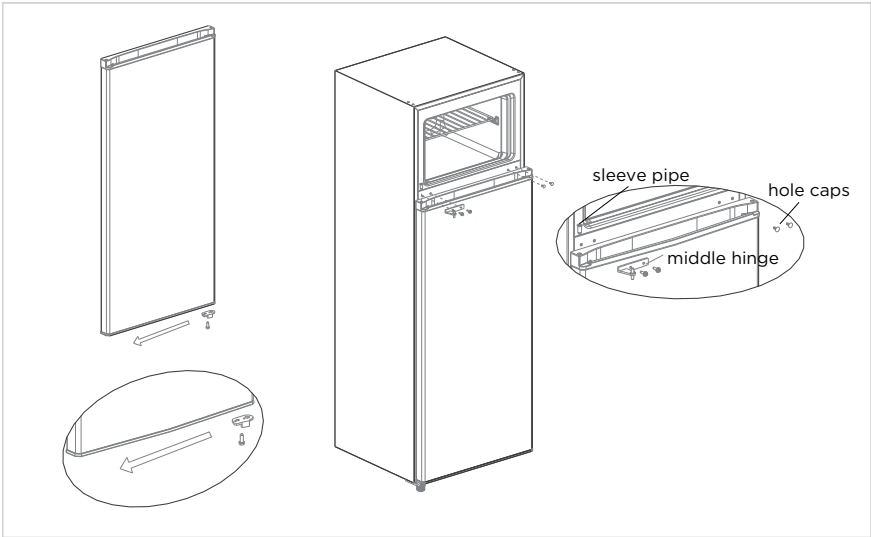
3. Take off freezer chamber door, middle hinge, the sleeve pipe of refrigerating door and hole caps of other side.



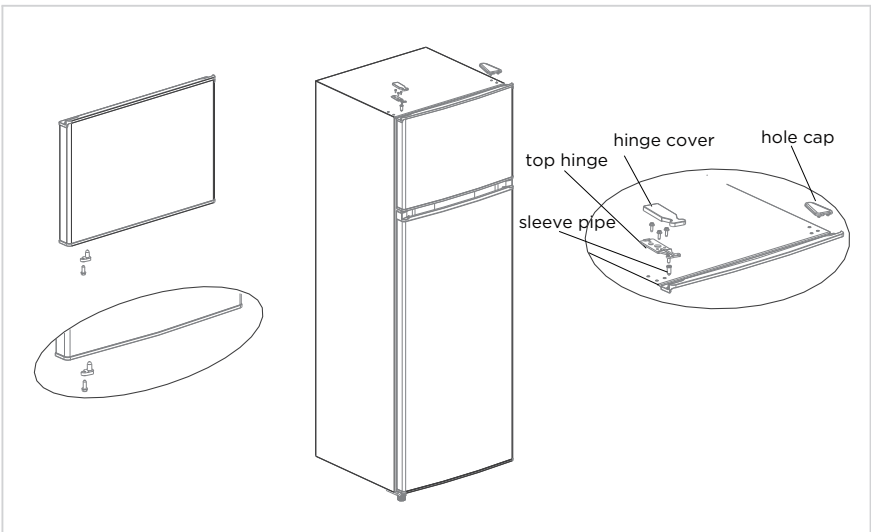
4. Remove the refrigerating door, remove the bottom hinge and adjustable foot of other side.
5. Assemble the bottom hinge assembly and adjustable foot on other side.



6. Assemble the stopper of the refrigerating door on the other side.
7. Put the refrigerating door on bottom hinge, assemble the middle hinge, hole caps and the sleeve pipe of refrigerating door.



8. Take out the stopper of the freezer door from accessories package and assemble it on the other side of freezer door.
9. Take out the right top hinge, right top hinge cover from accessories package; put the freezer door on the middle hinge, insert the sleeve pipe into the hinge hole of top left of door, assemble the top hinge and top hinge cover, then fix the hole cap on the other side of refrigerator.



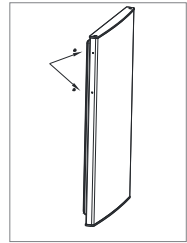
**● ATTENTION**

The picture above is only for reference. The actual configuration will depend on the physical product or statement by the distributor.

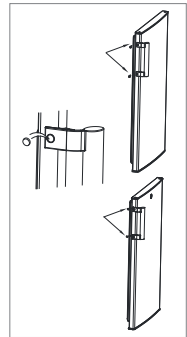
## Door Handle Install Illumination (optional)

Note: Figures in the user manual are only for reference. The actual product may differ slightly. The refrigerator must be disconnected from the source of electrical supply before attempting the installation of accessory.

Step 1: take out two plug pins from the door  
(Side of door open)



Step 2: Install the door handle to the door and fasten it with screws



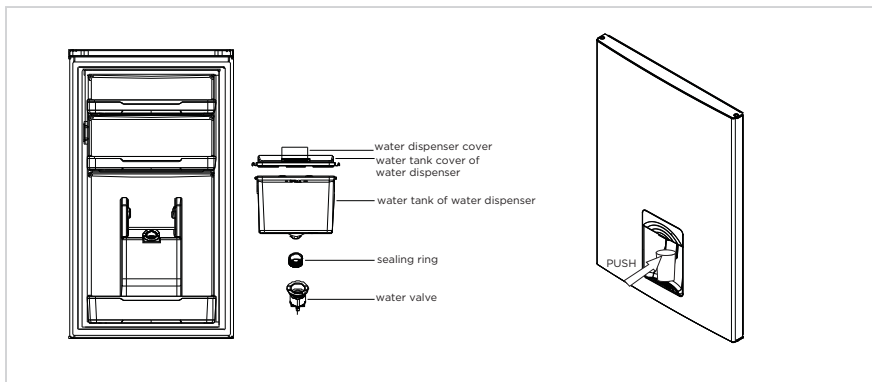
Step 3: Cover screw caps of the handle into screw holes

\* The picture above is only for reference. The actual configuration will depend on the physical product or statement by the distributor

EN

## Usage of water dispenser(optional)

1. First open Water inlet cover, fill with drinking water to "MAX" marked as the maximum amount of water.
2. Use the cup to push the trigger to the inside, the water will flow out, when the trigger back to the original position, the water stops.
3. Water dispenser can only be used for pure water, not suitable for beverages or fruit juice.



# OPERATION INSTRUCTIONS

## Switching On Your Unit

Setting“Off”:UnitOff

Setting“Min”:Less Cool Temperature

Setting“Med”or“MID”:Normal Operation(adequate for most situations)

Setting“Max”:Coolest Temperature

- During high ambient temperatures e.g. on hot summer days. It may be necessary to set the thermostat to the Coolest setting(position“Max”).This may cause the compressor running continuously in order to maintain a low temperature in the cabinet.
- For the first time you install your refrigerator, set the thermostat knob at “Med”. Give your refrigerator time to cool down completely before adding food. It is the best to wait 24 hours before adding food. The thermostat knob controls the temperature. When the thermostat control knob is set to OFF, the refrigerator will not be running.

## Tips for Keeping Food in the Unit

Cooked meats/fishes should always be stored on a shelf above raw meats/fishes to avoid bacterial transfer. Keep raw meats/fishes in a container which is large enough to collect juices and cover it properly. Place the container on the lowest shelf .

- Leave space around your food, to allow air to circulate inside the unit. Ensure all parts of the unit are kept cool.
- To prevent transfer of favours and drying out, pack or cover the food separately. Fruit and vegetables do not need to be wrapped.
- Always let pre-cooked food cool down before you put in the unit. This will help to maintain the internal temperature of the unit.
- To prevent cold air escaping from the unit, try to limit the number of times you open the door. We recommend that you only open the door when you need to put food in or take food out.

## Change the Light Bulb

Lamp replacement by professionals.

Order	Compartments TYPE	Target storage temp. [°C]	Appropriate food
1	Fridge	+2 - +8	Eggs, cooked food, packaged food, fruits and vegetables, dairy products, cakes, drinks and other foods are not suitable for freezing.
2	(***)*-Freezer	≤-18	Seafood (fish, shrimp, shellfish), freshwater aquatic products and meat products (recommended for 3 months, the longer the storage time, the worse the taste and nutrition), suitable for frozen fresh food.
3	***-Freezer	≤-18	Seafood (fish, shrimp, shellfish), freshwater aquatic products and meat products (recommended for 3 months, the longer the storage time, the worse the taste and nutrition), suitable for frozen fresh food.
4	** -Freezer	≤-12	Seafood (fish, shrimp, shellfish), freshwater aquatic products and meat products (recommended for 3 months, the longer the storage time, the worse the taste and nutrition), suitable for frozen fresh food.
5	*-Freezer	≤-6	Seafood (fish, shrimp, shellfish), freshwater aquatic products and meat products (recommended for 3 months, the longer the storage time, the worse the taste and nutrition), suitable for frozen fresh food.
6	0-star	-6 - 0	Fresh pork, beef, fish, chicken, some packaged processed foods, etc. (Recommended to eat within the same day, preferably no more than 3 days). Partially encapsulated processed foods (non-freezable foods).
7	Chill	-2 - +3	Fresh/ frozen pork, beef, chicken, freshwater aquatic products, etc. (7 days below 0°C and above 0°C is recommended for consumption within that day, preferably no more than 2 days).Seafood (less than 0 for 15 days, it is not recommended to store above 0°C).
8	Fresh food	0 - +4	Fresh pork, beef, fish, chicken, cooked food, etc.(Recommended to eat within the same day, preferably no more than 3 days)
9	Wine	+5 - +20	Red wine, white wine, sparkling wine, etc.

### ATTENTION

please store different foods according to the compartments or target storage temperature of your purchased

# CLEANING AND MAINTENANCE

## Defrost

- Power off the refrigerator.
- Remove the food from the refrigerator and place it properly to prevent food from melting.
- Clear the drain pipe (to use soft materials to prevent damage to the liner), Prepare the water containers for defrosting. (pay attention to clean the compressor compartment water draining tray, avoiding overflow to the ground).
- You can also use the appropriate amount of hot water to speed up the defrost, with a dry towel to dry the water after defrosting.
- You can also use the appropriate amount of hot water to speed up the defrost, with a dry towel to dry the water after defrosting.
- After defrosting, put back the foods in cabinet, and power on the refrigerator.

## Stop using

### Power failure:

In case of power failure, even if it is in summer, foods inside the appliance can be kept for several hours; during the power failure, the times of door opening shall be reduced, and no more fresh food shall be put into the appliance.

### Long-time nonuse:

The appliance shall be unplugged and then cleaned; then the doors are left open to prevent odor.

### Moving:

Before the refrigerator is moved, take all objects inside out, fix the glass partitions, vegetable holder, freezing chamber drawers and etc. with tape, and tighten the leveling feet; close the doors and seal them with tape. During moving, the appliance shall not be laid upside down or horizontally, or be vibrated; the inclination during movement shall be no more than 45°.

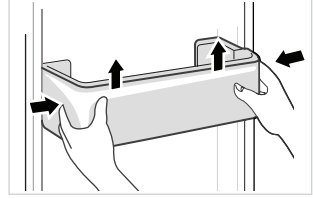
### ATTENTION

The appliance shall run continuously once it is started. Generally, the operation of the appliance shall not be interrupted; otherwise the service life may be impaired. Foods can be preserved for a couple of hours even in summer in case of power failure; it is recommended to reduce the frequency of opening door.



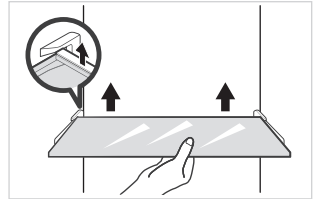
## Cleaning of door tray

- According to the direction arrow in the figure below, use both hands to squeeze the tray, and push it upward, then you can take it out.
- After washing the tray having been taken out, you can adjust its installing height in accordance with your requirement.



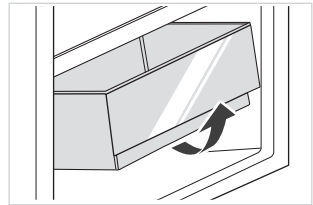
## Cleaning of glass shelf

- As the innermost part of the refrigerator liner where contacting the shelves has a backstop, you shall raise the shelves upward, then you can be able to take it out.
- Adjust or clean the shelves according to your requirement.



## Cleaning the vegetable drawer

1. Remove the contents of the drawer. Hold the handle of the vegetable drawer and pull it out completely until it stops.
2. Lift the vegetable drawer up and remove it by pulling it out.



### ATTENTION

Soft towels or sponge dipped in water and non-corrosive neutral detergents are suggested for cleaning. The freezer of shall be finally cleaned with clean water and dry cloth. Open the door for natural drying before the power is turned on. Do not use hard brushes, clean steel balls, wire brushes, abrasives, such as toothpastes, organic solvents (such as alcohol, acetone, banana oil, etc.), boiling water, acid or alkaline items clean refrigerator considering that this may damage the fridge surface and interior.

# TROUBLESHOOTING

The following simple issues can be handled by the user. Please call the after-sale service department if the issues are not solved.

Problem	Possible reason
Failed operation	<ul style="list-style-type: none"> <li>• Check whether the appliance is connected to power or whether the plug is in well contact</li> </ul>
	<ul style="list-style-type: none"> <li>• Check whether the voltage is too low</li> </ul>
	<ul style="list-style-type: none"> <li>• Check whether there is a power failure or partial circuits have tripped</li> </ul>
Odor	<ul style="list-style-type: none"> <li>• Odorous foods shall be tightly wrapped</li> </ul>
	<ul style="list-style-type: none"> <li>• Check whether there is any rotten food</li> </ul>
	<ul style="list-style-type: none"> <li>• Clean the inside of the refrigerator</li> </ul>
Long-time operation of the compressor	<ul style="list-style-type: none"> <li>• Long operation of the refrigerator is normal in summer</li> </ul>
	<ul style="list-style-type: none"> <li>• when the ambient temperature is high It is not suggestible having too much food in the appliance at the same time</li> </ul>
	<ul style="list-style-type: none"> <li>• Food shall get cool before being put into the appliance</li> </ul>
	<ul style="list-style-type: none"> <li>• The doors are opened too frequently</li> </ul>
Light fails to get lit	<ul style="list-style-type: none"> <li>• Check whether the refrigerator is connected to power supply and whether the illuminating light is damaged</li> </ul>
	<ul style="list-style-type: none"> <li>• Have the light replaced by a specialist</li> </ul>
Door can not be properly closed	<ul style="list-style-type: none"> <li>• The door is stuck by food packages Too much food is placed</li> </ul>
	<ul style="list-style-type: none"> <li>• The refrigerator is tiltedr.</li> </ul>
Loud noises	<ul style="list-style-type: none"> <li>• Check whether the floor is level and whether the refrigerator is placed stably</li> </ul>
	<ul style="list-style-type: none"> <li>• Check whether accessories are placed at proper locations</li> </ul>

Problem	Possible reason
Door seal fails to be tight	<ul style="list-style-type: none"> <li>• Remove foreign matters on the door seal</li> </ul>
	<ul style="list-style-type: none"> <li>• Heat the door seal and then cool it for restoration (or blow it with an electrical drier or use a hot towel for heating)</li> </ul>
Water pan overflows	<ul style="list-style-type: none"> <li>• There is too much food in the chamber or food stored contains too much water,resulting in heavy defrosting</li> </ul>
	<ul style="list-style-type: none"> <li>• The doors are not closed properly, resulting in frosting due to entry of air and increased water due to defrosting</li> </ul>
Hot housing	<ul style="list-style-type: none"> <li>• Heat dissipation of the built-in condenser via the housing, which is normal When housing becomes hot due to high ambient temperature, storage of too much food or shutdown of the compressor is shut down, provide sound ventilation to facilitate heat dissipation</li> </ul>
Surface condensation	<ul style="list-style-type: none"> <li>• Condensation on the exterior surface and door seals of the refrigerator is normal when the ambient humidity is too high. Just wipe the condensate with a clean towel.</li> </ul>
Abnormal noise	<ul style="list-style-type: none"> <li>• Buzz: The compressor may produce buzzes during operation, and the buzzes are loud particularly upon start or stop. This is normal.</li> </ul>
	<ul style="list-style-type: none"> <li>• Creak: Refrigerant flowing inside of the appliance may produce creak, which is normal.</li> </ul>

# DOC AND CERTIFICATIONS

## Declaration of Conformity

We hereby confirm that the following customer model names and Midea model names match each other respectively.

Brand	Midea Model	Marketing Model	Factory Model
Midea	HD-273FN	MDRT294FGE01	CE-BCD210CM-JQ
Midea	HD-273FN	MDRT294FGE50	CE-BCD210CM-JQ
Midea	HD-273FN	MERT210FGE01	CE-BCD210CM-JQ
Midea	HD-273FN	MERT210FGE50	CE-BCD210CM-JQ

Manufacturer's Name: Guangzhou Midea Hualing Refrigerator Co., Ltd.

Manufacturer's Address: No. 5 Xinguangsi Road, Qianfeng Zhujiang, Nansha District, Guangzhou City, Guangdong Province, P.R.China

We, Guangzhou Midea Hualing Refrigerator Co., Ltd., hereby declare that the above-mentioned products comply with the above-mentioned currently valid regulations and standards.

# APPENDIX

## Special for new European standard

The ordered parts in the following table can be acquired from Service provider channel

Ordered part	Provided by	Minimum time required for Provision
Thermostats	Professional maintenance personnel	At least 7 years after the last model is launched on the market
Temperature sensors	Professional maintenance personnel	At least 7 years after the last model is launched on the market
Printed circuit boards	Professional maintenance personnel	At least 7 years after the last model is launched on the market
Light sources	Professional maintenance personnel	At least 7 years after the last model is launched on the market
Door handles	Professional repairers and final users	At least 7 years after the last model is launched on the market
Door hinges	Professional repairers and final users	At least 7 years after the last model is launched on the market
Trays	Professional repairers and final users	At least 7 years after the last model is launched on the market
Baskets	Professional repairers and final users	At least 7 years after the last model is launched on the market
Door gaskets	Professional repairers and final users	At least 10 years after the last model is launched on the market

EN

## Dear customer

1. If you want to return or replace the product, please contact the store where you buy.

(Remember to bring the purchase invoice)

2. If your product breaks down which needs to repair, please contact after-sales service provider.

### ATTENTION

The model information in the product database, as well as the model identifier, can be obtained through a weblink scanned by a QR code, if any, on the energy efficiency label of the product.

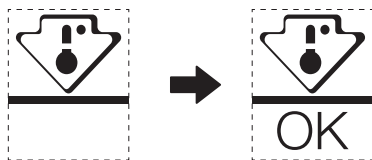
For more information about the energy efficiency of the appliance, visit <https://ec.europa.eu> and search using the model name.

The model name can be found on the rating label of the appliance.

## Coldest zone in the refrigerator

### OPTIONAL: OK-temperature indicator

- The OK-temperature indicator can be used to determine temperatures below +4°C. Gradually reduce the temperature if the sign does not indicate "OK".



- To ensure the temperature in this area, do not change the positioning of the shelf. In forced air refrigerators (equipped with a fan or No Frost models), the symbol of the coldest zone is not represented because the temperature inside is homogeneous.

### Temperature indicator setting

- To help you set your refrigerator well, it is equipped with a temperature indicator that will monitor the average temperature in the coldest zone.
- **WARNING:** This indicator is intended to work only with your refrigerator, do not use it in another refrigerator (in fact, the coldest zone is not the same), or for any other use.

### Checking the temperature in the coldest zone

- With the temperature indicator, you can check regularly that the temperature of the coldest zone is correct. Indeed, the internal temperature of the refrigerator depends on several factors such as the ambient temperature of the room, the amount of food stored and the frequency of door opening. Take these factors into consideration when setting the device.
- When the indicator shows « OK », this means that your thermostat is well adjusted and the internal temperature correct.
- If the indicator of temperature turns WHITE, this means that the temperature is too high; in this case, increase the refrigerator temperature control setting and wait for 12 hours before performing a new visual inspection of the indicator. When fresh food has been introduced or the door has been left open, it is possible for the indicator of temperature to turn WHITE after a while.

EN

## DANKE

Vielen Dank, dass Sie sich für Midea entschieden haben! Bevor Sie Ihr neues Midea-Produkt in Betrieb nehmen, lesen Sie bitte dieses Handbuch aufmerksam durch, damit Sie wissen, wie Sie die Funktionen Ihres neuen Geräts auf sichere Weise nutzen können.

# INHALTSVERZEICHNIS

DANKE	01
SPEZIFIKATIONEN	02
PRODUKTÜBERSICHT	03
PRODUKTINSTALLATION	04
BEDIENUNGSANWEISUNGEN	11
REINIGUNG UND PFLEGE	14
FEHLERBEHEBUNG	16
DOKUMENTATION UND ZERTIFIZIERUNGEN	18
ANHANG	19

# SPEZIFIKATIONEN

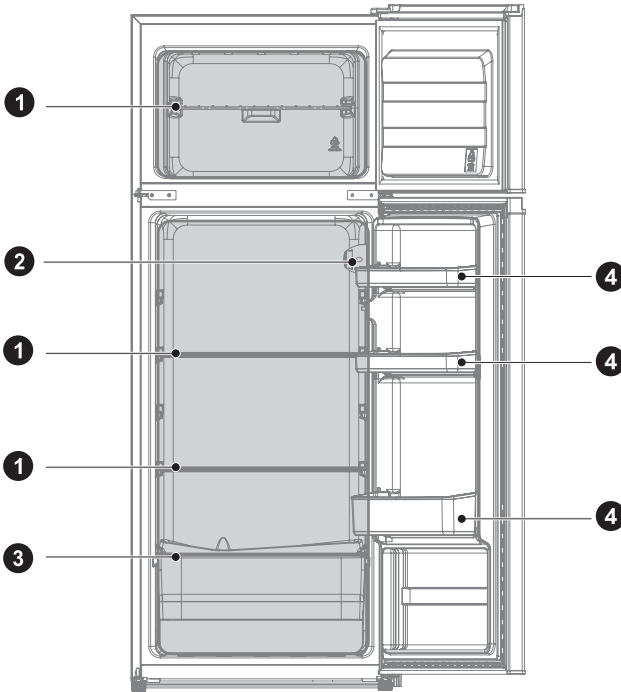
Produktmodell	MDRT294FGE01/MDRT294FGE50 /MERT210FGE01/MERT210FGE50
Fassungsvermögen des Frischkostfaches	163 L
Fassungsvermögen des Gefrierkostfaches	41 L
Abtautyp	Manuelles Abtauen
Temperaturanstiegszeit	8 h
Gefrierkapazität	2,0 kg/24h
Nennspannung	220-240 V~
Nennstrom	0,5 A
Gesamtabmessung (H x B x T)	1430x550x550 mm

DE



# PRODUKTÜBERSICHT

## Komponentenbezeichnung



1 Ablagefach

2 Thermosator

3 Gemüsefach

4 Türablage

### ⚠ ACHTUNG

Die vorstehende Abbildung dient lediglich als Referenz. Die vorhandene Konfiguration ist vom tatsächlichen Produkt oder den Angaben des Lieferanten abhängig.

DE

# PRODUKTINSTALLATION

## Installationsanweisungen

### Für Kühlgeräte mit Klimaklasse

- In Abhängigkeit von der Klimaklasse ist diese Gefriertruhe für den Einsatz in dem Temperaturbereich bestimmt, der in nachstehender Tabelle angegeben ist.
- Die Klimaklasse finden Sie auf dem Typenschild. Außerhalb des angegebenen Temperaturbereiches arbeitet das Gerät u. U. nicht ordnungsgemäß.
- Die Klimaklasse finden Sie auf dem Typenschild des Produkts.

### Effektiver Temperaturbereich

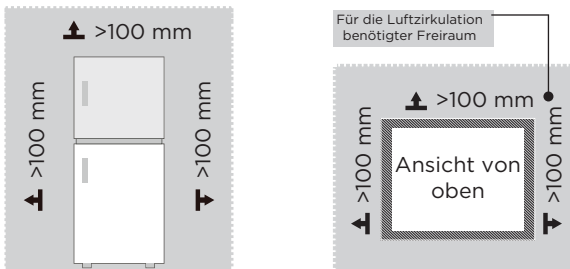
- Das Produkt wurde entwickelt, um in dem bei seiner Klimaklasse angegebenen Temperaturbereich normal zu arbeiten.

Klasse	Symbol	Umgebungstemperaturbereich °C	
		IEC 62552 (ISO 15502)	ISO 8561
Kaltgemäßigt	SN	+10 bis +32	+10 bis +32
Kühlgemäßigt	N	+16 bis +32	+16 bis +32
Subtropisch	ST	+16 bis +38	+18 bis +38
Tropisch	T	+16 bis +43	+18 bis +43

DE

### Abmessungen und Freiräume

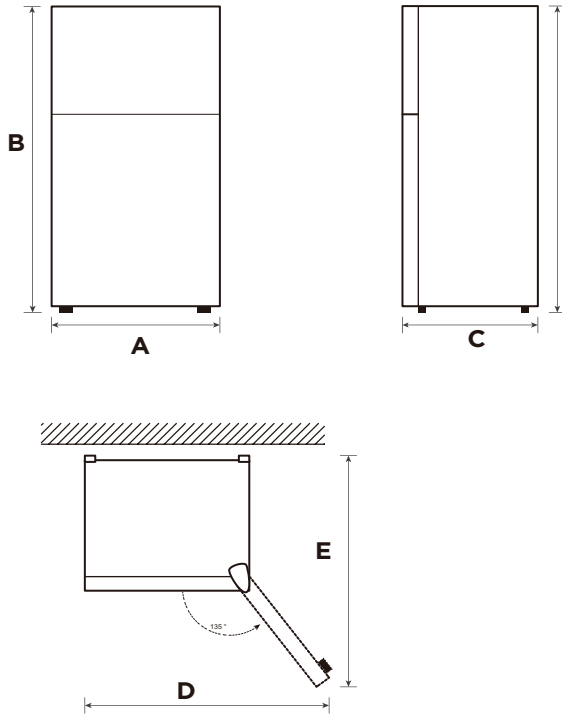
- Ein zu geringer Abstand zu benachbarten Objekten kann zu einer Verschlechterung der Gefrierleistung und erhöhten Stromkosten führen. Lassen Sie bei der Installation des Geräts einen Abstand von mind. 100 mm zu jeder angrenzenden Wand.



### ⚠ ACHTUNG

Die vorstehende Abbildung dient lediglich als Referenz. Die vorhandene Konfiguration ist vom tatsächlichen Produkt oder den Angaben des Lieferanten abhängig.

Diagramm zum Freiraumbedarf (bei geöffneter und geschlossener Tür)



DE

Breite	Gesamthöhe	Tiefe	Breite mit 135° geöffneter Tür	Tiefe mit 135° geöffneter Tür
A	B	C	D	E
550	1430	550	902	1052



Hinweis: Alle Abmessungen in mm

## Nivellierfüße

Zur Vermeidung von Vibrationen muss das Gerät waagrecht stehen. Passen Sie bei Bedarf die Nivellierschrauben an, um unebene Böden auszugleichen.

Die Vorderseite sollte etwas höher sein als die Rückseite, um das Schließen der Tür zu unterstützen.

Nivellierschrauben können mühelos gedreht werden, indem Sie den Schrank leicht kippen.

Drehen Sie die Nivellierschrauben zum Anheben des Gerätes gegen den Uhrzeigersinn  und zum Anheben im Uhrzeigersinn .

## Gerät bewegen

1. Entfernen Sie sämtliche Lebensmittel aus dem Gerät.
2. Ziehen Sie den Netzstecker und stecken Sie ihn in den Steckerhaken an der Rück- oder Oberseite des Gerätes.
3. Kleben Sie Teile, wie Ablagen und Türgriff, fest, damit sie beim Bewegen des Gerätes nicht herunterfallen.
4. Bewegen Sie das Gerät vorsichtig und mindestens zu zweit. Halten Sie das Gerät beim Transport über weite Strecken aufrecht.
5. Schließen Sie den Netzstecker nach Installation des Gerätes an eine Steckdose an, um das Gerät einzuschalten.

### ACHTUNG

Die vorstehende Abbildung dient lediglich als Referenz. Die vorhandene Konfiguration ist vom tatsächlichen Produkt oder den Angaben des Lieferanten abhängig.

## Türanschlag wechseln(optional)

Je nach geplantem Aufstellungsort Ihres Kühlschranks ist es für Sie möglicherweise praktischer, den Türanschlag zu wechseln.

### VORSICHT

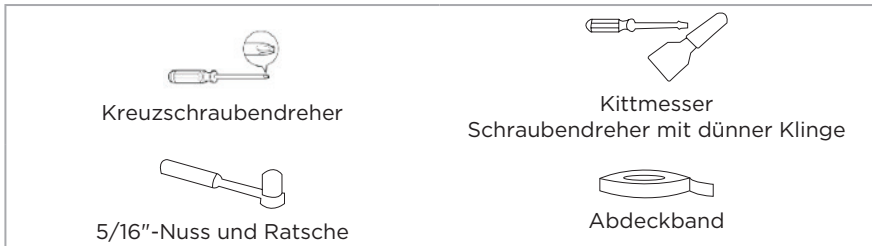
VORSICHT: Zur Vermeidung von Verletzungen und Sachschäden sollten Sie sich während des Wechsels des Türanschlags von einer weiteren Person helfen lassen.

Wechsel des Türanschlags vorbereiten

Sie benötigen: Einen herkömmlichen Schraubendreher, einen Kreuzschraubendreher und den mitgelieferten Inbusschlüssel.

- Achten Sie darauf, dass Ihr Kühlschrank vom Stromnetz getrennt und geleert ist.
- Lassen Sie sich von einer anderen Person helfen.
- Bewahren Sie alle Teile, die Sie entfernen, zur künftigen Verwendung auf.

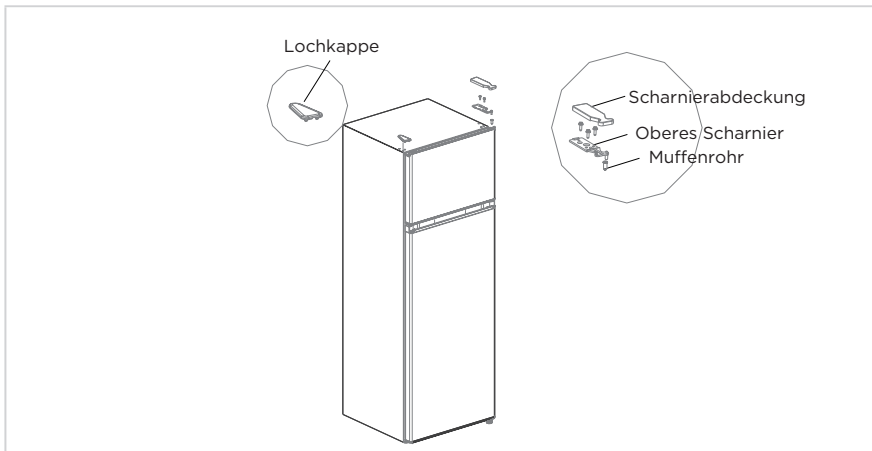
### Zum Wechseln des Türanschlags benötigte Werkzeuge:



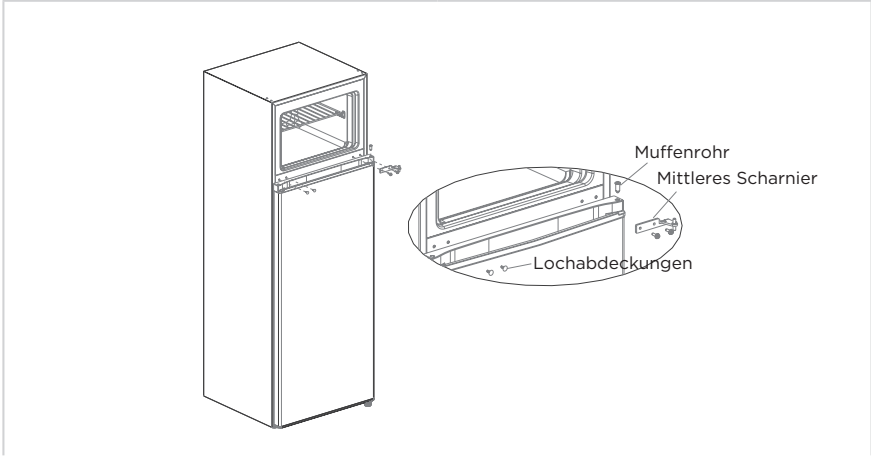
DE

### Schritt

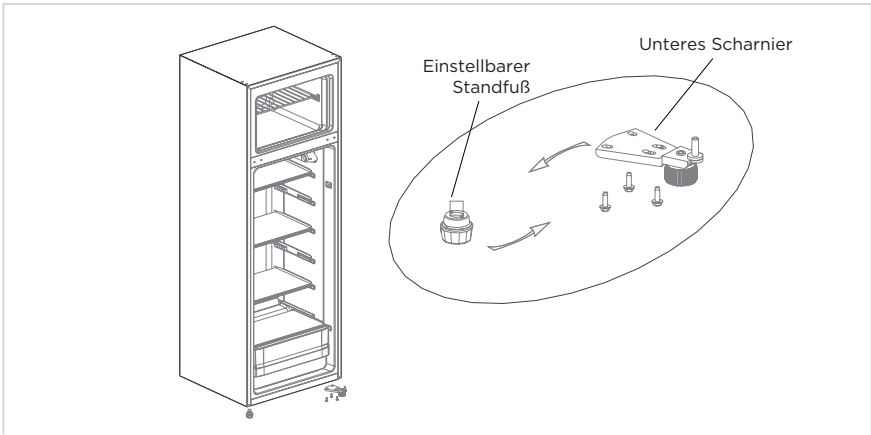
1. Schalten Sie den Kühlschrank aus und nehmen Sie alle Gegenstände aus dem Kühlschrank heraus, die sich in den Türfächern befinden.
2. Demontieren Sie die obere Scharnierabdeckung, das obere Scharnier, das Muffenrohr der Gefrierschranktür und auf der gegenüberliegenden Seite die Lochabdeckung.



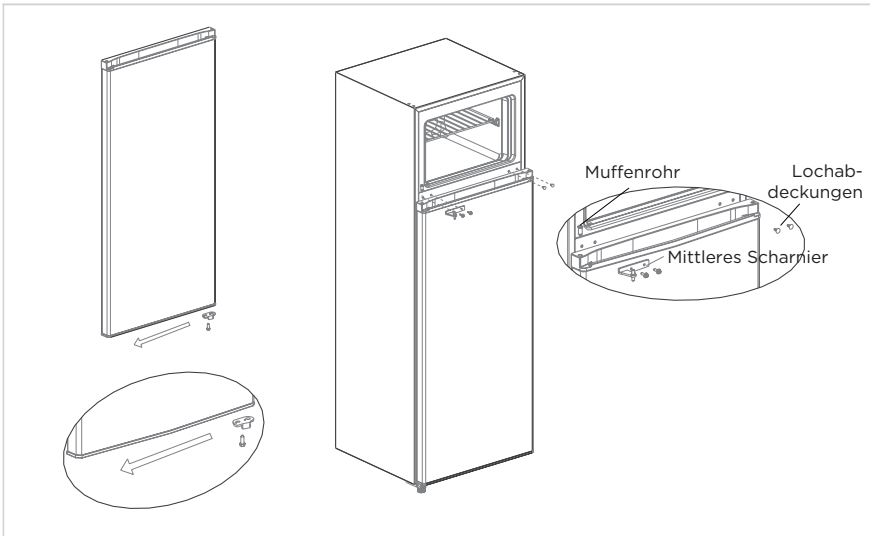
3. Demontieren Sie die Gefrierfachtür, das mittlere Scharnier, das Muffenrohr der Kühlfachtür und auf der gegenüberliegenden Seite die Lochkappen.



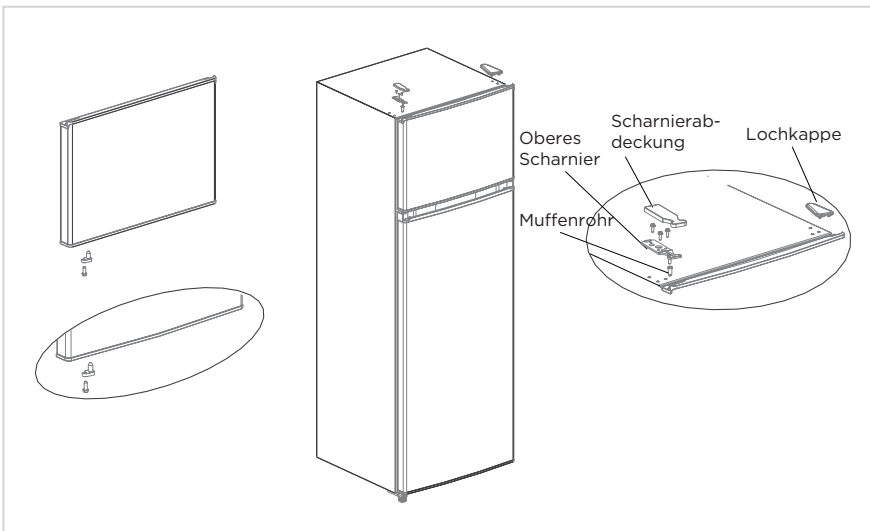
4. Demontieren Sie die Kühlfachtür, das untere Scharnier und auf der gegenüberliegenden Seite den Nivellierfuß.  
5. Montieren Sie auf der gegenüberliegenden Seite die untere Scharniereinheit und den Nivellierfuß.



6. Montieren Sie den Stopper der Kühlfachtür auf der anderen Seite.  
7. Setzen Sie die Kühlfachtür auf das untere Scharnier und montieren Sie das mittlere Scharnier, die Lochabdeckungen und das Muffenrohr der Kühlfachtür.



8. Nehmen Sie den Stopper der Gefrierfachtür aus dem Zubehöropaket und montieren Sie ihn auf der anderen Seite der Gefrierfachtür.
9. Nehmen Sie das rechte obere Scharnier und die rechte obere Scharnierabdeckung aus dem Zubehöropaket heraus. Setzen Sie die Gefrierfachtür auf das mittlere Scharnier, stecken Sie das Muffenrohr links oben in das Scharnierloch der Tür und montieren Sie das obere Scharnier und die obere Scharnierabdeckung. Stecken Sie dann die Lochabdeckung auf die Löcher auf der gegenüberliegenden Seite.



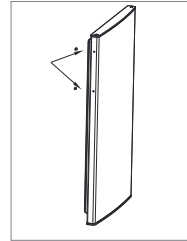
**● ACHTUNG**

Die vorstehende Abbildung dient lediglich als Referenz. Die vorhandene Konfiguration ist vom tatsächlichen Produkt oder den Angaben des Lieferanten abhängig.

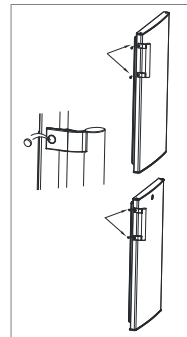
## Montage des Türgriffs (optional)

Hinweis: Die Abbildungen im Benutzerhandbuch dienen nur als Referenz. Das tatsächliche Produkt kann hiervon leicht abweichen. Der Kühlschrank muss vor der Installation von Zubehörteilen von der Stromquelle getrennt werden.

Schritt 1: Zwei Steckerstifte aus der Tür herausnehmen (auf der offenen Türseite)



Schritt 2: Montieren Sie den Türgriff an der Tür und befestigen Sie ihn mit Schrauben

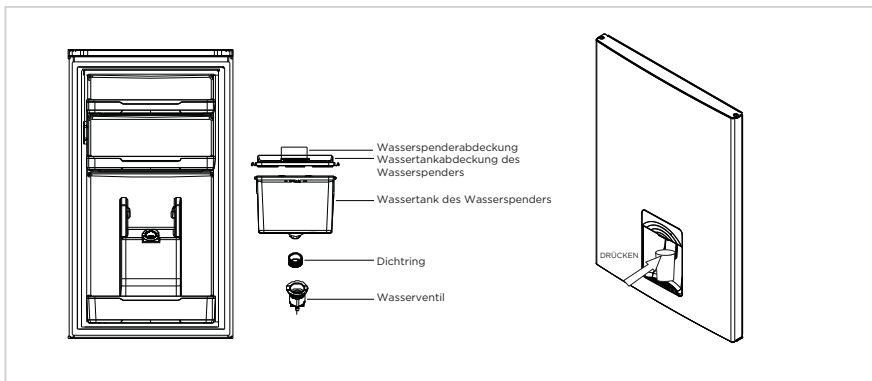


Schritt 3: Decken Sie die Schraublöcher mit Schraubkappen des Türgriffs ab

\* Die vorstehende Abbildung dient lediglich als Referenz. Die vorhandene Konfiguration ist vom tatsächlichen Produkt oder den Angaben des Lieferanten abhängig.

## Verwendung des Wasserspenders (optional)

1. Öffnen Sie zuerst den Wassereinfülldeckel und füllen Sie anschließend bis zur Markierung „MAX“ (max. Wassermenge) Trinkwasser auf.
2. Mithilfe des Bechers drücken Sie den Auslöser nach innen, woraufhin Wasser herausfließt. Der sich der Auslöser wieder in seiner ursprünglichen Position befindet, fließt kein Wasser mehr.
3. Der Wasserspender kann nur für sauberes Wasser verwendet werden und ist für Getränke oder Fruchtsäfte nicht geeignet.





# BEDIENUNGSANWEISUNGEN

## Gerät einschalten

Einstellung „Off“: Gerät ist ausgeschaltet

Einstellung „Min“: Nicht so kalt

Einstellung „Med“ oder „MID“: Normalbetrieb (für die meisten Situationen geeignet)

Einstellung „Max“: Am kältesten

- Bei hohen Umgebungstemperaturen, z. B. an heißen Sommertagen, kann es erforderlich sein, den Thermostat auf die kälteste Stufe (Position „Max“) zu stellen. Dies kann dazu führen, dass der Kompressor ständig läuft, um eine niedrige Temperatur im Schrank zu halten.
- Bei der Erstmontage des Kühlschranks muss der Thermostatregler auf „Med“ eingestellt werden. Geben Sie Ihrem Kühlschrank Zeit, vollständig abzukühlen, bevor Sie Lebensmittel hineinlegen. Warten Sie am besten 24 Stunden, bevor Sie Lebensmittel hineinlegen. Der Thermostat regelt die Temperatur. Wenn der Thermostat auf OFF steht, ist der Kühlschrank nicht im Betrieb.

## Tipps zur Aufbewahrung von Lebensmitteln im Gerät

Gekochtes Fleisch/Fisch sollte immer auf einer Ablage über rohem Fleisch/Fisch gelagert werden, um Bakterienübertragung zu vermeiden. Bewahren Sie rohes Fleisch/Fisch in einem Behälter auf, der groß genug ist, um Säfte aufzufangen, und decken Sie ihn gut ab. Stellen Sie den Behälter auf die unterste Ablage.

- Lassen Sie um Ihre Lebensmittel herum Platz, damit die Luft im Gerät zirkulieren kann. Stellen Sie sicher, dass alle Teile des Geräts gekühlt werden.
- Um die Übertragung von Gerüchen und das Austrocknen zu verhindern, verpacken oder bedecken Sie die Lebensmittel separat voneinander. Lassen Sie Obst und Gemüse unverpackt.
- Lassen Sie vorgekochte Speisen immer abkühlen, bevor Sie sie in das Gerät stellen. So wird die Innentemperatur des Geräts aufrechterhalten.
- Um Entweichen der kalten Luft aus dem Gerät zu verhindern, versuchen Sie, die Tür so selten wie möglich zu öffnen. Wir empfehlen, die Tür nur dann zu öffnen, wenn Sie Lebensmittel hineinlegen oder herausnehmen müssen.

## Glühbirne austauschen

Lampenwechsel durch Fachleute.

DE

Nummer	Kühl-/ Gefrierbereichtyp	Lagertemperaturbereich [°C]	Geeignete Lebens-/Nahrungsmittel
1	Kühlschrank	+2 ~ +8	Lebensmittel wie Eier, gekochte Lebensmittel, verpackte Lebensmittel, Obst und Gemüse, Milchprodukte, Kuchen und Getränke eignen sich nicht zum Tiefrostern.
2	(***)*-Tiefkühlschrank	≤-18	Meeresfrüchte (Fisch, Garnelen, Schalentiere), Süßwasserprodukte und Fleischprodukte (empfohlen max. 3 Monate, mit zunehmender Lagerzeit nimmt der Geschmack und Nährwert ab) eignen sich für gefrorene Frischkost.
3	***-Tiefkühlschrank	≤-18	Meeresfrüchte (Fisch, Garnelen, Schalentiere), Süßwasserprodukte und Fleischprodukte (empfohlen max. 3 Monate, mit zunehmender Lagerzeit nimmt der Geschmack und Nährwert ab) eignen sich für gefrorene Frischkost.
4	** -Tiefkühlschrank	≤-12	Meeresfrüchte (Fisch, Garnelen, Schalentiere), Süßwasserprodukte und Fleischprodukte (empfohlen max. 3 Monate, mit zunehmender Lagerzeit nimmt der Geschmack und Nährwert ab) eignen sich für gefrorene Frischkost.
5	*-Tiefkühlschrank	≤-6	Meeresfrüchte (Fisch, Garnelen, Schalentiere), Süßwasserprodukte und Fleischprodukte (empfohlen max. 3 Monate, mit zunehmender Lagerzeit nimmt der Geschmack und Nährwert ab) eignen sich für gefrorene Frischkost.

DE

6	0 Stern	-6 - 0	Frisches Schweinefleisch, Rindfleisch, Fisch, Hühnerfleisch, einige verpackte verarbeitete Lebensmittel (empfehlenswert ist der Verzehr noch am gleichen Tag oder innerhalb von 3 Tagen). Teilweise verpackte verarbeitete Lebensmittel (nicht gefrierfähige Lebensmittel).
7	Kühlen	-2 ~ +3	Frisches/gefrorenes Schweine-, Rind- und Hühnerfleisch, Süßwasserprodukte (unter 0 °C 7 Tage, bei über 0 °C wird der Verzehr am selben Tag empfohlen, jedoch nicht länger als 2 Tage), Meeresfrüchte (unter 0 °C 15 Tage, (eine Lagerung bei über 0 °C wird nicht empfohlen).
8	Frischkost	0 ~ +4	Frisches Schweine-, Rind- und Hühnerfleisch, Fisch, einige verpackte verarbeitete Lebensmittel (empfehlenswert ist der Verzehr noch am gleichen Tag oder innerhalb von 3 Tagen)
9	Wein	+5 - +20	Rot-, Weiß- und Schaumwein

### ACHTUNG

Bitte bewahren Sie die verschiedenen Lebensmittel je nach notwendiger Sternzahl des Gefrierbereichs oder Lagerungstemperatur Ihrer gekauften Lebensmittel auf.

# REINIGUNG UND PFLEGE

## Abtauen

- Schalten Sie den Kühlschrank aus.
- Nehmen Sie die Nahrungsmittel aus dem Kühlschrank und legen Sie sie an einen Platz, an dem Sie gegen Auftauen geschützt sind.
- Reinigen Sie die Ablaufleitung (verwenden Sie hierfür nur weiche Materialien, um die Innenisolierung nicht zu beschädigen) und bereiten Sie dann die Wasserbehälter zum Abtauen vor. (achten Sie bei der Reinigung der Wassertropfschale des Kompressorfachs darauf, dass kein Wasser auf den Boden fließt).
- Sie können auch eine ausreichende Menge heißes Wasser verwenden, um das Abtauen zu beschleunigen. Verwenden Sie trockene Handtücher, um das Wasser nach dem Abtauen zu entfernen.
- Sie können auch eine ausreichende Menge heißes Wasser verwenden, um das Abtauen zu beschleunigen. Verwenden Sie trockene Handtücher, um das Wasser nach dem Abtauen zu entfernen.
- Stellen/Legen Sie nach dem Abtauen die Lebensmittel wieder in die Fächer des Kühlschranks und schalten Sie dann den Kühlschrank ein.

DE

## Beenden der Benutzung

### Stromausfall:

Bei einem Stromausfall können Nahrungsmittel selbst im Sommer im Inneren des Geräts mehrere Stunden lang aufbewahrt werden, wobei die Tür so wenig wie nur möglich geöffnet werden sollte und keine weiteren frischen Nahrungsmittel in den Kühlschrank gelegt/gestellt werden dürfen.

### Nichtbenutzung über längere Zeit:

Sie müssen das Gerät vom Stromnetz trennen und anschließend reinigen. Lassen Sie danach die Kühlschranktüren geöffnet, um einer Geruchsbildung vorzubeugen.

### Transport:

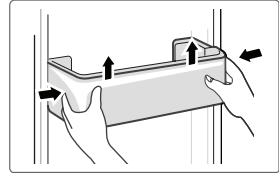
Die Innenteile wie Teiler, Gemüsehalter und Gefrierfachschubfächer fixieren Sie mit Klebeband. Drehen Sie darüber hinaus die Nivellierfüße ganz hinein, schließen Sie die Türen und fixieren Sie sie ebenfalls mit Klebeband. Während des Transports darf das Gerät weder kopfüber stehen noch horizontal liegen oder Vibrationen ausgesetzt werden. Die Neigung während des Transports darf 45° nicht überschreiten.

### ACHTUNG

Das Gerät muss nach der Inbetriebnahme ununterbrochen laufen. Grundsätzlich darf der Betrieb des Geräts nicht unterbrochen werden. Durch Missachtung kann die Lebensdauer verkürzt werden. Lebensmittel können auch im Sommer bei Stromausfall für einige Stunden konserviert werden. Empfehlenswert ist in diesem Fall, die Häufigkeit des Türöffnens zu reduzieren.

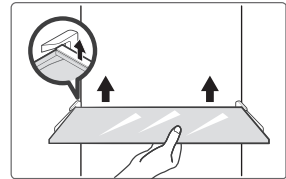
## Reinigung der Türablage

- Drücken Sie die Ablage mit beiden Händen wie durch die Pfeile in nachstehender Abbildung angegeben zusammen und drücken Sie sie anschließend nach oben. Anschließend können Sie die Ablage herausnehmen.
- Reinigen Sie die Ablage gründlich und setzen Sie sie dann in der gewünschten Höhe wieder ein.



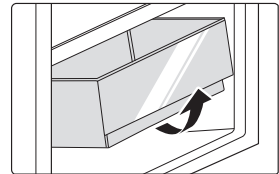
## Reinigen der Glasablage

- Heben Sie die Ablagen an der hinteren Seite der Glasablage dort an, wo die Sicherung der Glasablage in der Halterung liegt und nehmen Sie anschließend die Glasablage heraus.
- Reinigen Sie die Glasablage und setzen Sie sie anschließend in der gewünschten Höhe wieder ein.



## Reinigen des Gemüseschubfachs

1. Nehmen Sie den Inhalt aus dem Gemüseschubfach. Halten Sie den Griff des Gemüseschubfachs fest und ziehen Sie sie vollständig bis zum Anschlag heraus.
2. Heben Sie das Gemüseschubfach an und ziehen Sie es jetzt vollständig heraus.



## ⚠ ACHTUNG

Für die Reinigung werden weiche Handtücher oder Schwämme empfohlen, die in Wasser mit nichtkorrosivem neutralem Reinigungsmittel getippt worden sind. Das Gefrierschubfach müssen Sie anschließend mit klarem Wasser abspülen und mit einem trockenen Tuch gründlich trocknen. Öffnen Sie die Türen, um den Kühlbereich auf natürliche Weise trocken zu lassen, bevor Sie den Kühlschrank wieder in Betrieb nehmen. Benutzen Sie für die Reinigung des Kühlschranks keine harten Bürsten, Stahltopfreiniger, Drahtbürsten, Scheuermittel wie beispielsweise Zahnpasta, organische Reinigungsmittel (wie Alkohol, Aceton, Bananenöl usw.), kochendes Wasser oder saure/basische Mittel, weil sie die Kühlschrankoberfläche sowie den Kühlschrankinnenraum angreifen können.

# FEHLERBEHEBUNG

Die nachstehenden einfachen Probleme können durch den/die Benutzer/-in selbst behoben werden. Wenn das Problem anschließend immer noch bestehen sollte, dann setzen Sie sich bitte mit der Kundendienstabteilung in Verbindung.

Problem	Mögliche Ursache
Kein Betrieb	<ul style="list-style-type: none"> <li>Überprüfen Sie, ob das Gerät am Stromnetz angeschlossen ist und der Netzstecker ordnungsgemäß in der Netzsteckdose steckt.</li> </ul>
	<ul style="list-style-type: none"> <li>Überprüfen Sie, ob die Netzspannung zu gering ist.</li> </ul>
	<ul style="list-style-type: none"> <li>Überprüfen Sie, ob ein Stromausfall vorliegt, ein Schutzschalter ausgelöst wurde oder eine Sicherung durchgebrannt ist.</li> </ul>
Gerüche	<ul style="list-style-type: none"> <li>Geruchsintensive Nahrungsmittel müssen gut eingepackt werden.</li> </ul>
	<ul style="list-style-type: none"> <li>Überprüfen Sie, ob sich verdorbene Nahrungsmittel im Kühlschrank befinden.</li> </ul>
	<ul style="list-style-type: none"> <li>Reinigen Sie den Innenbereich des Kühlschranks</li> </ul>
Langes Laufen des Kompressors	<ul style="list-style-type: none"> <li>Ein langes Laufen des Kühlschrankkompressors ist im Sommer dann normal, wenn die Umgebungstemperatur hoch ist.</li> </ul>
	<ul style="list-style-type: none"> <li>Es ist nicht empfehlenswert, zu viele Nahrungsmittel gleichzeitig im Kühlschrank aufzubewahren.</li> </ul>
	<ul style="list-style-type: none"> <li>Nahrungsmittel müssen ausreichend genug abgekühlt sein, bevor sie in den Kühlschrank gelegt/gestellt werden.</li> </ul>
	<ul style="list-style-type: none"> <li>Die Türen werden zu oft geöffnet.</li> </ul>
Keine Beleuchtung oder die Beleuchtung erlischt.	<ul style="list-style-type: none"> <li>Überprüfen Sie, ob der Kühlschrank am Stromnetz angeschlossen ist und ob ein Defekt des Leuchtmittels vorliegt.</li> </ul>
	<ul style="list-style-type: none"> <li>Lassen Sie bei Bedarf das Leuchtmittel durch eine(n) Fachfrau/-mann ersetzen.</li> </ul>
Die Tür kann nicht ordnungsgemäß geschlossen werden.	<ul style="list-style-type: none"> <li>Die Tür klemmt durch Nahrungsmittelverpackungen und/oder im Kühlschrank befinden sich zu viel Nahrungsmittel.</li> </ul>
	<ul style="list-style-type: none"> <li>Der Kühlschrank ist geneigt.</li> </ul>
Laute Geräusche	<ul style="list-style-type: none"> <li>Überprüfen Sie, ob der Kühlschrank nivelliert ist und stabil steht.</li> </ul>
	<ul style="list-style-type: none"> <li>Überprüfen Sie, ob sich die Zubehörteile an der vorgesehenen Stelle befinden.</li> </ul>

Problem	Mögliche Ursache
Die Türdichtung dichtet nicht vollständig.	<ul style="list-style-type: none"> <li>• Entfernen Sie Fremdstoffe, die sich auf der Türdichtung befinden.</li> <li>• Erhitzen Sie die Türdichtung und kühlen Sie sie anschließend zur Wiederherstellung ab (blasen Sie sie zum Erhitzen mit einem elektrischen Haartrockner an oder verwenden Sie ein heißes Handtuch).</li> </ul>
Die Wasserauffangschale läuft über	<ul style="list-style-type: none"> <li>• Im Kühlbereich/Gefrierschubfach werden zu viele Nahrungsmittel aufbewahrt oder die aufbewahrten Nahrungsmittel enthalten zu viel Wasser, was zu einem starken Abtauen führt.</li> <li>• Die Türen sind nicht ordnungsgemäß geschlossen, wodurch es zum Gefrieren der Luft im Eingangsbereich kommt und dadurch die Wassermenge während des Abtauens ansteigt.</li> </ul>
Das Gehäuse ist heiß	<ul style="list-style-type: none"> <li>• Die Wärmeableitung des eingebauten Kühlers erfolgt über das Gehäuse. Wenn durch das Kühlen vieler Nahrungsmittel das Gehäuse bei hohen Umgebungstemperaturen heiß wird, sorgen Sie bitte für eine gute Luftzirkulation, um die Wärmeableitung zu unterstützen.</li> </ul>
Kondensation an der Oberfläche	<ul style="list-style-type: none"> <li>• Kondensationen an der Außenseite des Kühlschranks und an den Kühlschranktürdichtungen sind normal, wenn die Umgebungstemperatur sehr hoch ist. Wischen Sie die Kondensation einfach mit einem sauberen Tuch ab.</li> </ul>
Ungewöhnliche Geräusche	<ul style="list-style-type: none"> <li>• Summen: Während seines Betriebs kann der Kompressor u. U. summen, wobei dieses Summen vor allem beim Starten und Stoppen sehr laut ist. Das ist normal.</li> <li>• Knarren: Das im Inneren des Kühlschranks fließende Kältemittel kann ein Knarren erzeugen, was normal ist.</li> </ul>

# DOKUMENTATION UND ZERTIFIZIERUNGEN

## Konformitätserklärung

Wir bestätigen hiermit, dass die folgenden Kundenmodellnamen und Midea-Modellnamen jeweils übereinstimmen.

Marke	Midea-Modell	Vertriebsmodell	Werksmodell
Midea	HD-273FN	MDRT294FGE01	CE-BCD210CM-JQ
Midea	HD-273FN	MDRT294FGE50	CE-BCD210CM-JQ
Midea	HD-273FN	MERT210FGE01	CE-BCD210CM-JQ
Midea	HD-273FN	MERT210FGE50	CE-BCD210CM-JQ

DE

Name des Herstellers: Guangzhou Midea Hualing Refrigerator Co., Ltd.  
Adresse des Herstellers: No. 5 Xinguangsi Road, Qianfeng Zhujiang, Nansha District, Guangzhou City, Guangdong Province, P.R.China

Wir, Guangzhou Midea Hualing Refrigerator Co., Ltd. erklären hiermit, dass die oben genannten Produkte den derzeit gültigen vorstehend genannten Vorschriften und Normen entsprechen.



# ANHANG

## Speziell für den neuen EU-Standard

Die Ersatzteile in der folgenden Tabelle sind über den Serviceanbieter erhältlich

Ersatzteil	Bereitgestellt für	Mindestens für die Beschaffung benötigte Zeit
Thermostate	Geschultes Wartungspersonal	Mindestens 7 Jahre nach Markteinführung des letzten Modells
Temperatursensoren	Geschultes Wartungspersonal	Mindestens 7 Jahre nach Markteinführung des letzten Modells
Platinen	Geschultes Wartungspersonal	Mindestens 7 Jahre nach Markteinführung des letzten Modells
Lichtquellen	Geschultes Wartungspersonal	Mindestens 7 Jahre nach Markteinführung des letzten Modells
Türgriffe	Fachwerkstätten und Endbenutzer(innen)	Mindestens 7 Jahre nach Markteinführung des letzten Modells
Türscharniere	Fachwerkstätten und Endbenutzer(innen)	Mindestens 7 Jahre nach Markteinführung des letzten Modells
Ablagen	Fachwerkstätten und Endbenutzer(innen)	Mindestens 7 Jahre nach Markteinführung des letzten Modells
Körbe	Fachwerkstätten und Endbenutzer(innen)	Mindestens 7 Jahre nach Markteinführung des letzten Modells
Türdichtungen	Fachwerkstätten und Endbenutzer(innen)	Mindestens 10 Jahre nach Markteinführung des letzten Modells

DE

## Sehr geehrte Kundin, sehr geehrter Kunde

1. Wenn Sie das Produkt zurückgeben oder ersetzen möchten, dann setzen Sie sich bitte mit dem Geschäft in Verbindung, in dem Sie das Produkt erworben haben.  
(Bringen Sie bitte auch den Kaufbeleg mit)
2. Wenn Ihr Produkt defekt ist und repariert werden muss, dann setzen Sie sich bitte mit dem Kundendienstserviceanbieter in Verbindung.

### ACHTUNG

Die Modellinformationen in der Produktdatenbank sowie den Modellidentifikator können Sie über den Weblink durch Scannen des QR-Codes erhalten, wenn das Energieeffizienzschild des Produktes einen QR-Code enthält.

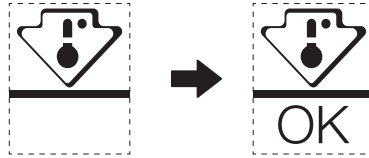
Weitere Informationen über die Energieeffizienz des Geräts finden Sie über die Suche nach Modellnamen unter <https://ec.europa.eu>.

Den Modellname finden Sie auf dem Typenschild des Produkts.

## Die kälteste Zone im Kühlschrank

### OPTIONAL: OK-Temperaturanzeige

- Mit der OK-Temperaturanzeige können Temperaturen unter +4°C ermittelt werden. Reduzieren Sie die Temperatur schrittweise, wenn „OK“ nicht angezeigt wird.



- Ändern Sie die Position der Ablage nicht, um die Temperatur in diesem Bereich sicherzustellen. Bei Kühlschränken mit verbesserter Luftzirkulation (ausgestattet mit einem Gebläse oder frostfreie Modelle) fehlt dieses Symbol, weil bei ihnen die Temperatur im Inneren homogen ist.

### Temperaturindikatoreinstellung

DE

- Der Kühlschrank ist mit einem Temperaturindikator ausgestattet, der die Durchschnittstemperatur im kältesten Bereich anzeigt, um Ihnen bei der Einstellung Ihres Kühlschranks zu helfen.
- **WARNUNG:** Dieser Indikator ist auf Ihren Kühlschrank abgestimmt. Benutzen Sie ihn weder in anderen Kühlschränken (weil dort der kälteste Bereich ein anderer ist) noch für andere Zwecke.

### Überprüfen der Temperatur im kältesten Bereich

- Mit Hilfe des Temperaturindikators können Sie regelmäßig überprüfen, ob die Temperatur im kältesten Bereich richtig ist. Allerdings hängt die Innentemperatur des Kühlschranks von verschiedenen Faktoren wie beispielsweise der Raumtemperatur, der sich im Kühlschrank befindlichen Menge an Nahrungsmitteln und der Häufigkeit des Türöffnens ab. Ziehen Sie diese Faktoren in Ihre Überlegungen mit ein, wenn Sie das Gerät einstellen.
- Wenn der Indikator «OK» anzeigt, dann bedeutet das, dass der Thermostat ordnungsgemäß eingestellt und die Innentemperatur ordnungsgemäß ist.
- Wenn der Temperaturindikator WEISS wird, dann bedeutet das, dass die Temperatur zu hoch ist. Erhöhen Sie in diesem Fall die Einstellung der Kühlschranktemperaturregelung und warten Sie 12 Stunden, bevor Sie die Temperatur über den Temperaturindikator erneut überprüfen. Wenn Sie frische Nahrungsmittel hineingelegt/-gestellt haben oder die Tür eine Zeitlang geöffnet ist, kann es sein, dass der Temperaturindikator WEISS wird.

## LETTRÉ DE REMERCIEMENT

Nous vous remercions d'avoir choisi Midea ! Avant d'utiliser votre nouveau produit Midea, veuillez lire attentivement ce manuel afin de vous assurer que vous maîtrisez les caractéristiques et les fonctions de votre nouvel appareil en toute sécurité.

# SOMMAIRE

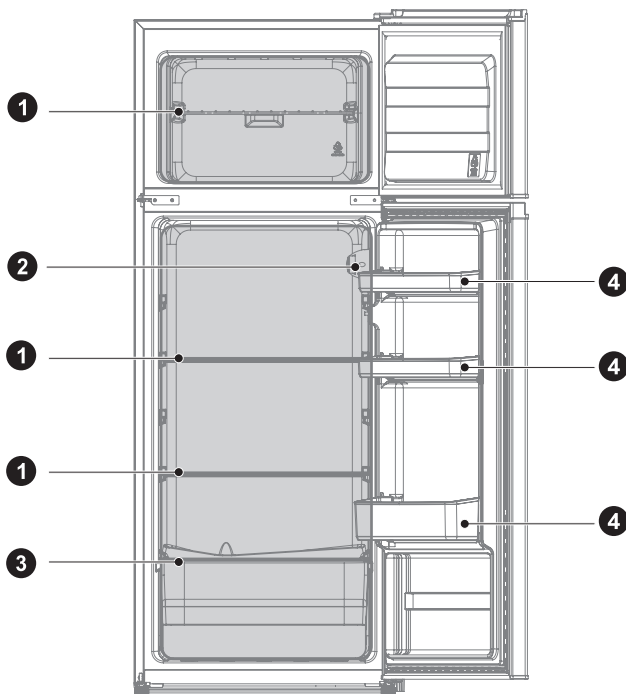
LETTRÉ DE REMERCIEMENT .....	01
SPÉCIFICATIONS .....	02
PRÉSENTATION DU PRODUIT .....	03
INSTALLATION DU PRODUIT .....	04
MODE D'EMPLOI .....	11
NETTOYAGE ET ENTRETIEN .....	13
DÉPANNAGE .....	15
DOCUMENTS ET CERTIFICATIONS .....	17
ANNEXE .....	18

# SPÉCIFICATIONS

<b>Modèle du produit</b>	<b>MDRT294FGE01/MDRT294FGE50 /MERT210FGE01/MERT210FGE50</b>
Volume du compartiment de stockage des aliments frais	163 L
Volume de stockage des aliments congelés	41 L
Type de dégivrage	Dégivrage manuel
Temps de montée en température	8 h
Capacité de congélation	2,0 kg/24h
Tension nominale	220-240 V-
Courant nominal	0,5 A
Dimension globale (H x L x P)	1430x550x550 mm

# PRÉSENTATION DU PRODUIT

## Noms des composants



1 Étagère

2 Thermistance

3 Bacs à légumes

4 Plateau de porte

### ● ATTENTION

L'image ci-dessus est donnée uniquement à titre de référence. La configuration réelle dépend du produit physique ou de la notice du distributeur.

FR

# INSTALLATION DU PRODUIT

## Instructions d'installation

### Pour les appareils frigorifiques de classe climatique

- En fonction de la classe climatique, cet appareil de réfrigération est destiné à être utilisé dans les plages de température ambiante indiquées dans le tableau suivant.
- La classe climatique se trouve sur la plaque signalétique. Le produit peut ne pas fonctionner correctement à des températures hors de la plage indiquée.
- Vous pouvez trouver la classe climatique sur l'étiquette du produit.

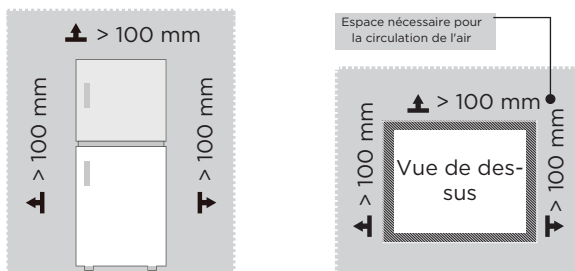
### Plage de température efficace

- Ce produit est conçu pour fonctionner normalement dans la plage de température indiquée par sa qualification de classe.

Classe	Symbole	Plage de température de fonctionnement en °C	
		IEC 62552 (ISO 15502)	ISO 8561
Tempéré étendu	SN	+10 à +32	+10 à +32
Tempéré	N	+16 à +32	+16 à +32
Subtropical	ST	+16 à +38	+18 à +38
Tropical	T	+16 à +43	+18 à +43

### Dimensions et dégagements

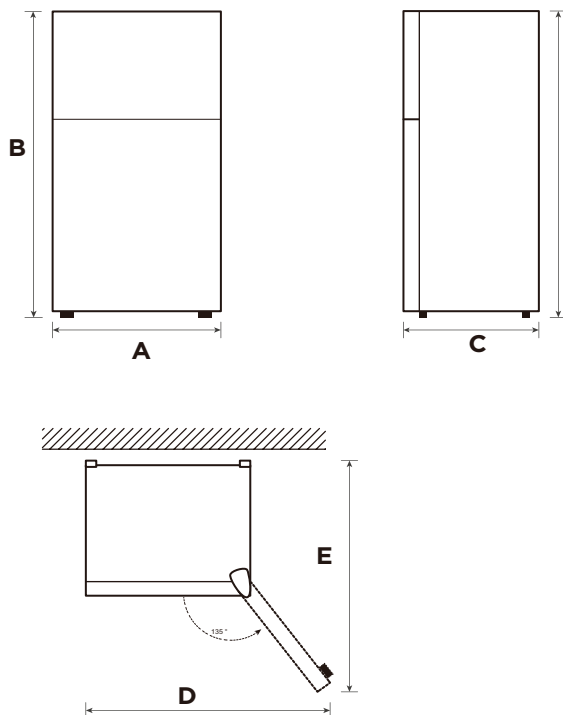
- Une distance trop petite des éléments adjacents peut entraîner une dégradation de la capacité de congélation et une augmentation des coûts d'électricité. Laissez plus de 100 mm de dégagement à partir de chaque mur adjacent lors de l'installation de l'appareil.



### ATTENTION

L'image ci-dessus est donnée uniquement à titre de référence. La configuration réelle dépend du produit physique ou de la notice du distributeur.

Diagramme d'encombrement (porte ouverte et fermée)



FR

Largeur	Hauteur totale	Profondeur	La porte s'ouvre à 135° en largeur	La porte s'ouvre à 135° en hauteur
A	B	C	D	E
550	1430	550	902	1052

Remarque : Toutes les dimensions sont en mm



## Pieds réglables

L'appareil doit être à niveau pour éviter toute vibration.

Il faut tenir compte de l'uniformité du sol dans la mise à niveau.

L'avant de la porte doit être légèrement plus haut que l'arrière pour faciliter sa fermeture.

Les vis de mise à niveau peuvent être facilement tournées en inclinant légèrement l'appareil.

Tournez les vis de mise à niveau dans le sens antihoraire  pour soulever l'appareil, dans le sens horaire  pour l'abaisser.

## Déplacement de l'appareil

1. Retirez tous les aliments de l'appareil.
2. Débranchez la fiche d'alimentation, et la fixer au crochet de prise située à l'arrière ou la placer au-dessus de l'appareil.
3. Collez les pièces telles que étagères et poignée de porte pour éviter qu'elles ne tombent lors du déplacement de l'appareil.
4. Avec précaution, déplacez l'appareil à l'aide de deux personnes au moins. Lors du transport sur une longue distance, l'appareil doit être maintenu en position verticale.
5. Après l'installation de l'appareil, branchez la fiche d'alimentation dans une prise de courant pour l'allumer.

### ATTENTION

L'image ci-dessus est donnée uniquement à titre de référence. La configuration réelle dépend du produit physique ou de la notice du distributeur.



## Inverser l'ouverture de la porte(en option)

Selon l'endroit où vous prévoyez d'utiliser votre réfrigérateur, vous trouverez peut-être une inversion de la position de la porte plus pratique.

### MISE EN GARDE

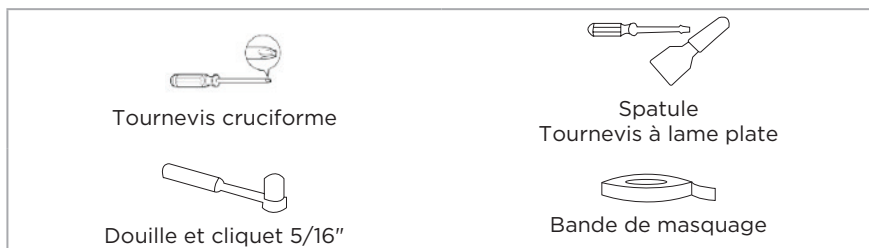
MISE EN GARDE : Pour éviter toute blessure, il est recommandé que quelqu'un vous assiste pendant l'inversion de la porte.

Préparation de l'inversion de la position de la porte

Il vous faudra : un tournevis standard, un tournevis cruciforme et la clé hexagonale fournie.

- Assurez-vous que votre réfrigérateur est débranché et vide.
- Faites-vous aider par une tierce personne dans cette démarche.
- Conservez toutes les pièces que vous retirez pour les réutiliser plus tard.

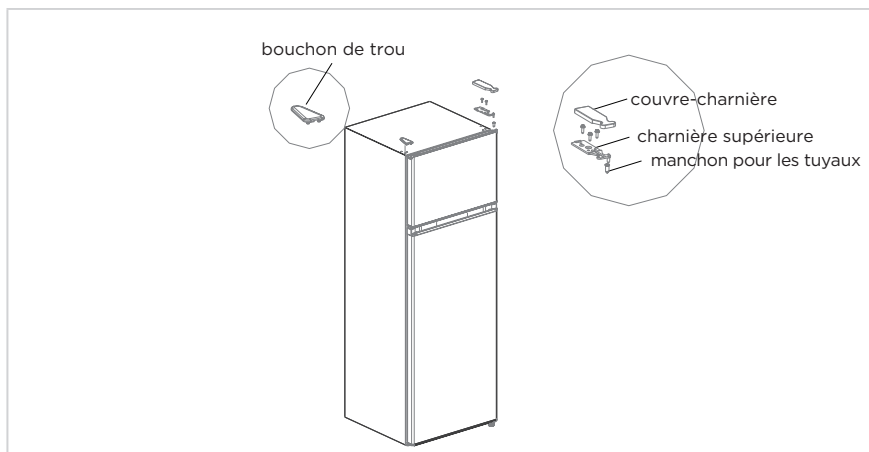
### Outils nécessaires pour changer la porte :



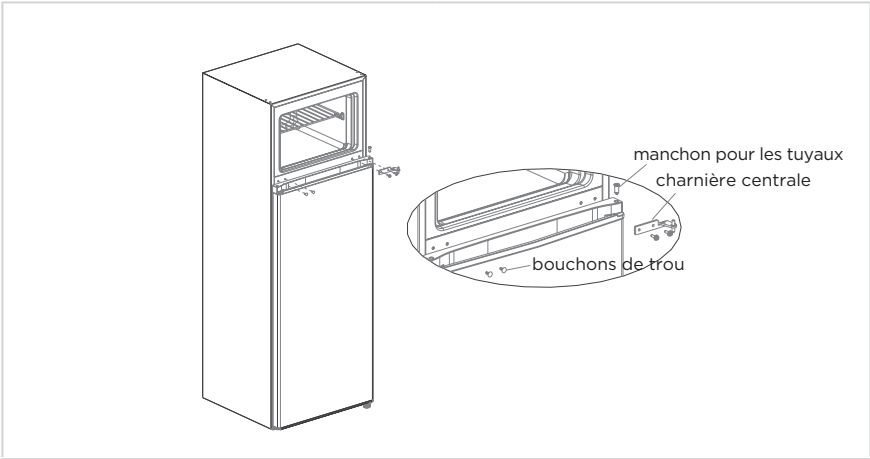
FR

### Étape

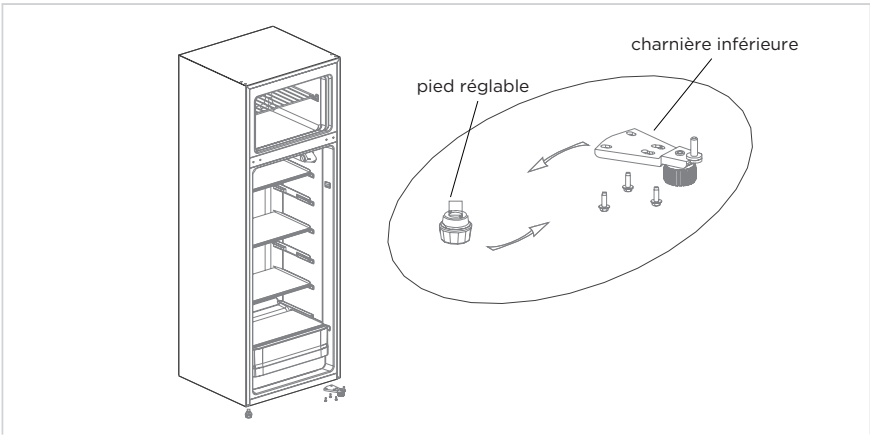
1. Éteignez le réfrigérateur et retirez tous les objets des plateaux de la porte.
2. Retirez le couvercle de la charnière supérieure, la charnière supérieure, le manchon de la porte du congélateur et le capuchon du trou de l'autre côté.



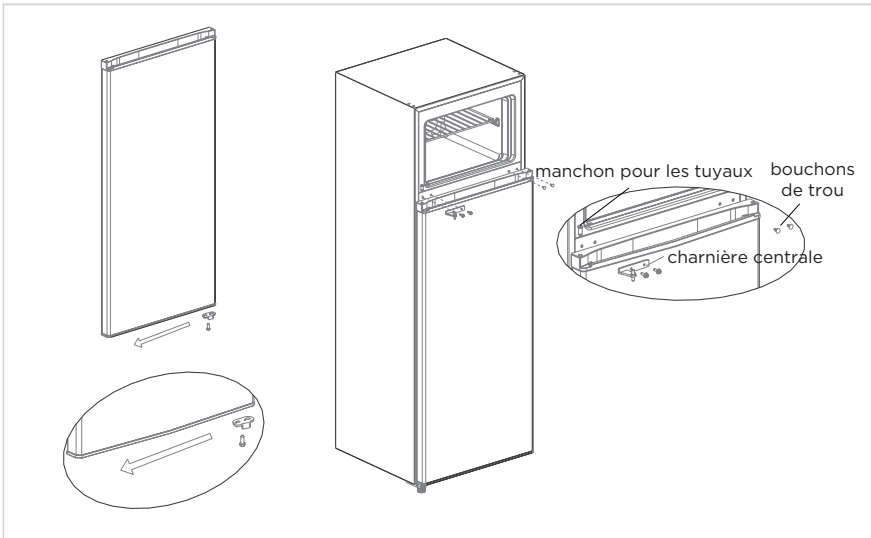
3. Retirez la porte de la chambre du congélateur, la charnière centrale, le manchon de la porte de réfrigération et les capuchons des trous de l'autre côté.



4. Retirez la porte du congélateur, la charnière inférieure et le pied réglable de l'autre côté.
5. Installez l'ensemble charnière inférieure et le pied réglable de l'autre côté.

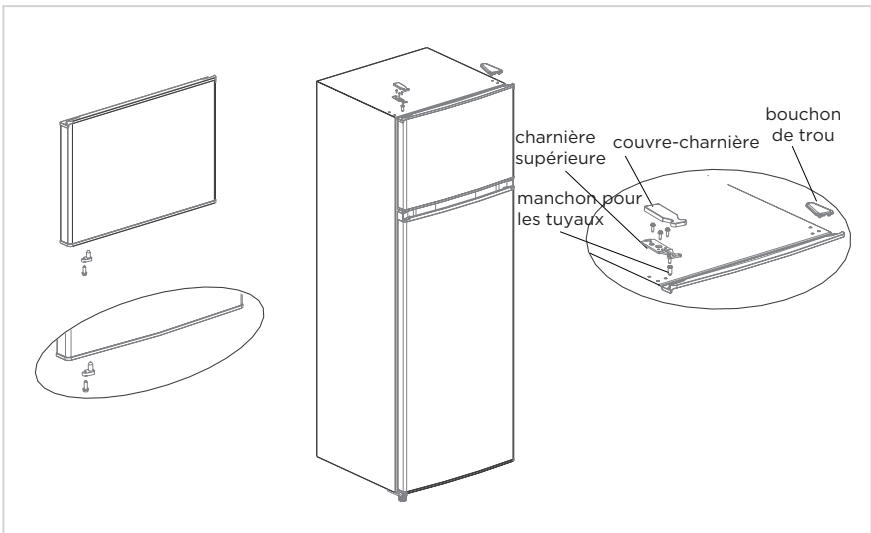


6. Assemblez la butée de la porte du réfrigérateur de l'autre côté.
7. Placez la porte de réfrigération sur la charnière inférieure, assemblez la charnière centrale, les capuchons de trou et le manchon de la porte du réfrigérateur.



8. Retirez la butée de la porte du congélateur du paquet d'accessoires et l'assembler de l'autre côté de la porte du congélateur.
9. Sortez la charnière supérieure droite, le couvercle de la charnière supérieure droite du paquet d'accessoires, placez la porte du congélateur sur la charnière centrale, insérez le manchon dans le trou de la charnière en haut à gauche de la porte, assemblez la charnière supérieure et le couvercle de la charnière supérieure, puis fixez le capuchon du trou de l'autre côté du réfrigérateur.

FR



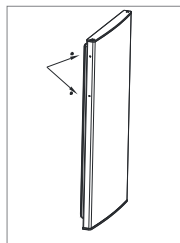
**ATTENTION**

L'image ci-dessus est donnée uniquement à titre de référence. La configuration réelle dépend du produit physique ou de la notice du distributeur.

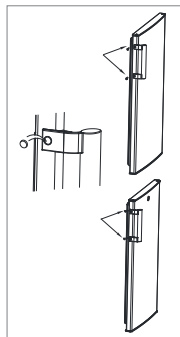
## Éclairage d'installation de la poignée de porte (en option)

Remarque : Les images contenues dans ce mode d'emploi ne sont fournies qu'à titre de référence. Le produit réel peut être légèrement différent. Le réfrigérateur doit être débranché avant toute installation d'un accessoire.

Étape 1 : retirez les deux broches de la porte (côté porte ouverte)



Étape 2 : Installez la poignée sur la porte et la fixer avec des vis

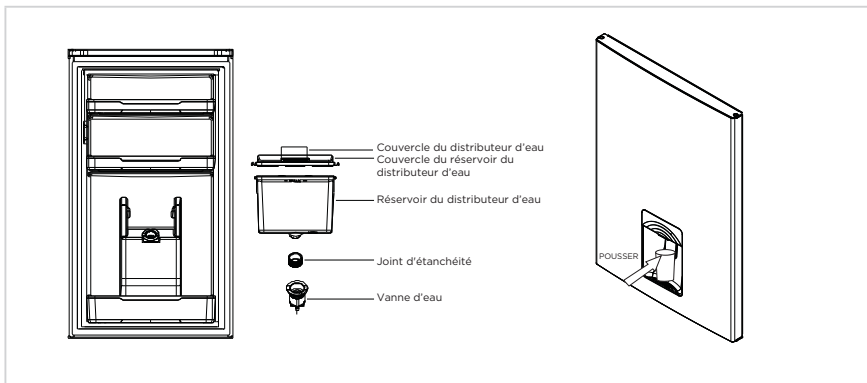


Étape 3 : Couvrez les cache-vis de la poignée dans les trous de vis

\* L'image ci-dessus est donnée uniquement à titre de référence. La configuration réelle dépend du produit physique ou de la notice du distributeur.

## Utilisation d'un distributeur d'eau (optionnel)

1. Ouvrez d'abord le couvercle d'entrée d'eau, remplissez avec de l'eau potable jusqu'à la quantité « MAX ».
2. Utilisez la tasse pour pousser la gâchette vers l'intérieur, l'eau s'écoule, lorsque la gâchette revient à la position d'origine, l'eau s'arrête.
3. Le distributeur d'eau ne peut être utilisé que pour de l'eau pure, il ne convient pas aux boissons ou aux jus de fruits.



# MODE D'EMPLOI

## Allumer l'appareil

Réglage « Off » : unité arrêtée

Réglage « Min » : température moins froide

Réglage « Med » ou « MID » : fonctionnement normal (convient à la plupart des situations)

Réglage « Max » : température la plus froide

- Lors de températures ambiantes élevées, par ex. lors des chaudes journées d'été. Il vaut mieux régler le thermostat sur la position la plus froide (« Max »). Cela peut entraîner le fonctionnement continu du compresseur afin de maintenir une faible température à l'intérieur.
- La première fois que vous installez votre réfrigérateur, réglez le bouton du thermostat sur « Med ». Laissez à votre réfrigérateur le temps de se refroidir complètement avant d'ajouter des aliments. Il est préférable d'attendre 24 heures avant d'ajouter des aliments. Le bouton du thermostat contrôle la température. Lorsque le bouton de commande du thermostat est réglé sur OFF, le réfrigérateur ne fonctionne pas.

## Conseils pour conserver les aliments dans l'appareil

Les viandes/poissons cuits doivent toujours être stockés sur une étagère au-dessus des viandes/poissons crus pour éviter le transfert de bactéries. Conservez les viandes/poissons crus en le recouvrant correctement dans un récipient suffisamment grand pour recueillir le jus. Placez le récipient sur l'étagère la plus basse.

- Laissez de l'espace autour de vos aliments pour permettre à l'air de circuler à l'intérieur de l'appareil. Assurez-vous que toutes les pièces de l'appareil sont maintenues froides.
- Pour éviter le transfert des saveurs et le dessèchement, enveloppez ou couvrez les aliments séparément. Les fruits et légumes n'ont pas besoin d'être emballés.
- Laissez toujours refroidir les aliments précuits avant de les mettre dans l'appareil. Cela aide à maintenir la température interne de l'appareil.
- Pour éviter que de l'air froid ne s'échappe de l'appareil, essayez de limiter le nombre d'ouvertures de la porte. Il est recommandé d'ouvrir la porte uniquement lorsque vous avez besoin de mettre ou de retirer des aliments.

## Changez l'ampoule

Remplacement de la lampe par des professionnels.

Ordre	Type de compartiment	Temp. de stockage cible [°C]	Aliments appropriés
1	Frigo	+2 - +8	Œufs, aliments cuits, aliments emballés, fruits et légumes, produits laitiers, gâteaux, boissons et autres aliments ne conviennent pas à la congélation.
2	(***)*-Congélateur	≤-18	Fruits de mer (poissons, crevettes, crustacés), produits aquatiques d'eau douce et produits à base de viande (recommandés pendant 3 mois, plus le temps de stockage est long, plus le goût devient mauvais), adaptés aux aliments frais congelés.
3	***-Congélateur	≤-18	Fruits de mer (poissons, crevettes, crustacés), produits aquatiques d'eau douce et produits à base de viande (recommandés pendant 3 mois, plus le temps de stockage est long, plus le goût devient mauvais), adaptés aux aliments frais congelés.
4	** -Congélateur	≤-12	Fruits de mer (poissons, crevettes, crustacés), produits aquatiques d'eau douce et produits à base de viande (recommandés pendant 3 mois, plus le temps de stockage est long, plus le goût devient mauvais), adaptés aux aliments frais congelés.
5	*-Congélateur	≤-6	Fruits de mer (poissons, crevettes, crustacés), produits aquatiques d'eau douce et produits à base de viande (recommandés pendant 3 mois, plus le temps de stockage est long, plus le goût devient mauvais), adaptés aux aliments frais congelés.
6	0 étoiles	-6 - 0	Porc frais, bœuf, poisson, poulet, certains aliments transformés emballés, etc. (recommandés de manger dans la même journée, de préférence pas plus de 3 jours). Aliments transformés partiellement emballés (aliments non congelables).
7	Froid	-2 - +3	Porc frais/congelé, bœuf, poulet, produits aquatiques d'eau douce, etc. (7 jours en dessous de 0°C et au-dessus de 0°C recommandés pour une consommation dans la journée, de préférence pas plus de 2 jours). Fruits de mer (moins de 0 pour 15 jours), il est déconseillé de conserver au-dessus de 0°C.
8	Aliments frais	0 - +4	Porc frais, bœuf, poisson, poulet, plats cuisinés, etc. (recommandés de manger dans la même journée, de préférence pas plus de 3 jours)
9	Vin	+5 - +20	Vin rouge, vin blanc, vin mousseux, etc.

### ATTENTION

Il faut stocker différents aliments en fonction des compartiments ou de la température cible.

# NETTOYAGE ET ENTRETIEN

## Décongélation

- Éteignez le réfrigérateur.
- Retirez les aliments du congélateur et les placer correctement pour empêcher les aliments de fondre.
- Dégagez le tuyau de vidange (pour utiliser des matériaux souples pour éviter d'endommager le revêtement), préparez les réservoirs d'eau pour la décongélation. (Nettoyez le bac de vidange de l'eau du compartiment du compresseur, en évitant tout débordement au sol).
- Vous pouvez également utiliser la quantité appropriée d'eau chaude pour accélérer la décongélation, utilisez une serviette pour sécher l'eau après la décongélation.
- Vous pouvez également utiliser la quantité appropriée d'eau chaude pour accélérer la décongélation, utilisez une serviette pour sécher l'eau après la décongélation.
- Après la décongélation, remettez les aliments dans l'armoire et rallumez le congélateur.

## Arrêt de fonctionnement

FR

### Panne de courant :

En cas de panne de courant, même en été, les aliments à l'intérieur de l'appareil peuvent être conservés plusieurs heures ; pendant la panne de courant, les heures d'ouverture de la porte doivent être réduites et aucun aliment frais ne doit plus être mis dans l'appareil.

### Longue période de non utilisation :

L'appareil doit être débranché et nettoyé ; laissez es portes ouvertes pour éviter les odeurs.

### Déplacement :

cloisons, porte-légumes, tiroirs de la chambre de congélation, etc. avec du ruban adhésif, et serrez les pieds de nivellement, fermez les portes et les sceller avec du ruban adhésif. Pendant le déplacement, l'appareil ne doit pas être posé à l'envers ou horizontalement ni être soumis à des vibrations ; l'inclinaison pendant le mouvement ne doit pas dépasser 45°.

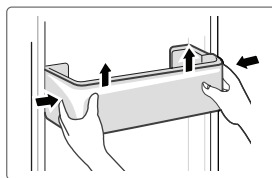
### ATTENTION

Une fois mis en marche, l'appareil doit fonctionner en continu. En règle générale, le fonctionnement de l'appareil ne doit pas être interrompu ; autrement sa durée de vie peut être réduite.

Les aliments peuvent être conservés pendant quelques heures même en été en cas de panne de courant, il est recommandé de réduire la fréquence d'ouverture de la porte.

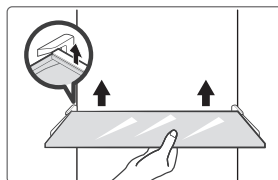
## Nettoyage du plateau de porte

- Selon la flèche de direction dans la figure ci-dessous, utilisez les deux mains pour presser le plateau et poussez-le vers le haut pour pouvoir le sortir par la suite.
- Après avoir sorti le plateau de lavage, vous pouvez régler sa hauteur d'installation en fonction de vos besoins.



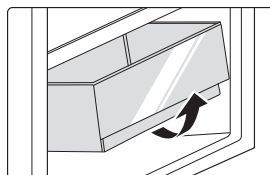
## Nettoyage de l'étagère en verre

- Comme la partie la plus interne de la cuve du réfrigérateur, où se trouvent les étagères, est dotée d'une butée arrière, vous devez soulever les étagères vers le haut pour pouvoir les retirer.
- Ajustez ou nettoyez les étagères en fonction de vos besoins.



## Nettoyage du bac à légumes

1. Retirez le contenu du bac. Tenez la poignée du bac à légumes et tirez complètement jusqu'à ce qu'il s'arrête.
2. Soulevez le bac à légumes et le retirer en le tirant vers l'extérieur.



### ● ATTENTION

Pour le nettoyage, nous recommandons des serviettes douces ou une éponge trempée dans de l'eau et des détergents neutres non corrosifs. Le congélateur doit être finalement nettoyé à l'eau claire et avec un chiffon sec. Ouvrez la porte pour un séchage naturel avant de mettre l'appareil sous tension. N'utilisez pas de brosses dures, de billes de nettoyage en acier, de brosses métalliques, d'abrasifs tels que le dentifrice, de solvants organiques (tels que l'alcool, l'acétone, l'huile de banane, etc.), de l'eau bouillante, des produits acides ou alcalins ; nettoyez le congélateur en sachant que cela peut endommager la surface et l'intérieur du congélateur.



# DÉPANNAGE

Les problèmes simples suivants peuvent être traités par l'utilisateur. Appelez le service après-vente si ces problèmes ne sont pas réglés.

Problème	Cause possible
Échec de l'opération	• Vérifiez si l'appareil est branché au secteur ou si la fiche est bien en contact
	• Vérifiez si la tension est trop basse
	• Vérifiez s'il y a une panne de courant ou des circuits partiels se sont déclenchés
Odeur	• Les aliments susceptibles d'émettre des odeurs doivent être bien enveloppés
	• Vérifiez s'il y a des aliments pourris
	• Nettoyez l'intérieur du réfrigérateur
Compresseur fonctionnant pendant une longue période	• Un fonctionnement prolongé du réfrigérateur est normal en été lorsque la température ambiante est élevée
	• Il n'est pas recommandable d'avoir trop d'aliments dans l'appareil en même temps
	• Les aliments doivent refroidir avant d'être mis dans l'appareil
	• Les portes sont ouvertes trop fréquemment
La lumière ne s'allume pas	• Vérifiez si le réfrigérateur est branché à l'alimentation électrique et si la lumière est endommagée
	• Faites remplacer la lumière par un professionnel
La porte du réfrigérateur ne peut pas être correctement fermée.	• La porte est coincée par des aliments. Trop d'aliments sont placés
	• Le réfrigérateur est incliné.
Bruits forts	• Vérifiez si le sol est bien horizontal et si le réfrigérateur est placé de manière stable
	• Vérifiez si les accessoires sont placés aux bons endroits

Problème	Cause possible
Le joint de la porte n'est pas serré.	<ul style="list-style-type: none"> <li>• Éliminez tout corps étranger sur le joint de la porte</li> <li>• Chauffez le joint de la porte, puis le refroidir pour le restaurer (ou soufflez dessus avec un séchoir électrique ou utilisez une serviette chaude)</li> </ul>
Débordement du bac à eau	<ul style="list-style-type: none"> <li>• Il y a trop d'aliments dans la chambre ou les aliments stockés contiennent trop d'eau, cela entraîne une forte décongélation</li> <li>• Les portes ne sont pas fermées correctement, cela entraîne un dégivrage dû à l'entrée d'air et une augmentation d'eau</li> </ul>
Boîtier chaud	<ul style="list-style-type: none"> <li>• La dissipation de la chaleur du condenseur intégré via le boîtier est normale. Lorsque le boîtier devient chaud en raison d'une température ambiante élevée, du stockage d'une trop grande quantité d'aliments ou de l'arrêt du compresseur, il faut prévoir une bonne ventilation pour faciliter la dissipation de la chaleur.</li> </ul>
Condensation de surface	<ul style="list-style-type: none"> <li>• La condensation sur la surface extérieure et les joints de porte du réfrigérateur est normale lorsque l'humidité ambiante est trop élevée. Il suffit d'essuyer la condensation avec une serviette propre.</li> </ul>
Bruit anormal	<ul style="list-style-type: none"> <li>• Vrombissements : Le compresseur peut produire des vrombissements qui sont forts en particulier au démarrage ou à l'arrêt. C'est normal.</li> <li>• Craquements : Le fluide frigorigène qui circule à l'intérieur de l'appareil peut produire des craquements, ce qui est normal.</li> </ul>

FR

# DOCUMENTS ET CERTIFICATIONS

## Déclaration de conformité

Nous confirmons par la présente que les noms de modèle client et les noms de modèle Midea suivants correspondent respectivement.

Marque	Modèle Midea	Modèle de commerce	Modèle d'usine
Midea	HD-273FN	MDRT294FGE01	CE-BCD210CM-JQ
Midea	HD-273FN	MDRT294FGE50	CE-BCD210CM-JQ
Midea	HD-273FN	MERT210FGE01	CE-BCD210CM-JQ
Midea	HD-273FN	MERT210FGE50	CE-BCD210CM-JQ

FR

Nom du fabricant : Guangzhou Midea Hualing Refrigerator Co., Ltd.  
Adresse du fabricant : No. 5 Xinguangsi Road, Qianfeng Zhujiang, Nansha District, Guangzhou City, Guangdong Province, R.P. Chine

Nous, Guangzhou Midea Hualing Refrigerator Co., Ltd., déclarons par la présente que les produits mentionnés ci-dessus sont conformes aux réglementations et normes actuellement en vigueur mentionnées ci-dessus.

# ANNEXE

## Spécial pour la nouvelle norme européenne

Les pièces commandées dans le tableau suivant peuvent être acquises auprès d'un canal de fournisseur de services.

Pièce commandée	Fourni par	Temps minimum requis pour la fourniture
Thermostats	Personnel professionnel de maintenance	Au moins 7 ans après le lancement du dernier modèle sur le marché
Capteurs de température	Personnel professionnel de maintenance	Au moins 7 ans après le lancement du dernier modèle sur le marché
Cartes de circuit imprimé	Personnel professionnel de maintenance	Au moins 7 ans après le lancement du dernier modèle sur le marché
Sources de lumière	Personnel professionnel de maintenance	Au moins 7 ans après le lancement du dernier modèle sur le marché
Poignées de porte	Réparateurs professionnels et utilisateurs	Au moins 7 ans après le lancement du dernier modèle sur le marché
FR Charnières de porte	Réparateurs professionnels et utilisateurs	Au moins 7 ans après le lancement du dernier modèle sur le marché
Tiroirs	Réparateurs professionnels et utilisateurs	Au moins 7 ans après le lancement du dernier modèle sur le marché
Paniers	Réparateurs professionnels et utilisateurs	Au moins 7 ans après le lancement du dernier modèle sur le marché
Joints de porte	Réparateurs professionnels et utilisateurs	Au moins 10 ans après le lancement du dernier modèle sur le marché

### Chère cliente

1. Pour retourner ou remplacer le produit, il faut d'abord contacter le magasin où vous l'avez acheté.  
(N'oubliez pas de joindre la facture d'achat)
2. Si votre produit tombe en panne et doit être réparé, il faut contacter le service après-vente.

### ATTENTION

Les informations du modèle dans la base de données des produits, ainsi que l'identificateur du modèle, peuvent être obtenues au moyen d'un lien web scanné d'un code QR, le cas échéant, sur l'étiquette d'efficacité énergétique du produit.

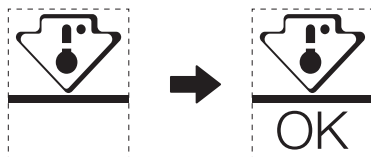
Pour plus d'informations sur l'efficacité énergétique de l'appareil, rendez-vous sur <https://ec.europa.eu> et recherchez par le nom du modèle.

Le nom du modèle se trouve sur la plaque signalétique de l'appareil.

## Zone la plus froide du réfrigérateur

### EN OPTION : OK-indicateur de température

- L'indicateur de température OK peut être utilisé pour déterminer des températures inférieures à +4°C. Réduisez progressivement la température si le signe n'indique pas « OK ».



- Pour garantir la température dans cette zone, ne changez pas l'emplacement de l'étagère. Dans les réfrigérateurs à air forcé (équipés d'un ventilateur ou modèles Pas de gel), le symbole de la zone la plus froide n'est pas représenté car la température à l'intérieur est homogène.

### Réglage de l'indicateur de température

- Pour vous aider à bien régler votre réfrigérateur, celui-ci est équipé d'un indicateur de température qui surveille la température moyenne dans la zone la plus froide.
- **AVERTISSEMENT** : cet indicateur ne fonctionne qu'avec votre réfrigérateur, ne l'utilisez pas dans un autre réfrigérateur (en effet, la zone la plus froide n'est pas la même), ou pour autre chose.

FR

### Vérification de la température dans la zone la plus froide

- Grâce à l'indicateur de température, vous pouvez vérifier régulièrement que la température de la zone la plus froide est correcte. En effet, la température interne du réfrigérateur dépend de plusieurs facteurs tels que la température ambiante de la pièce, la quantité d'aliments stockés et la fréquence d'ouverture des portes. Il faut tenir compte de ces facteurs lors du réglage du réfrigérateur.
- Lorsque l'indicateur affiche « OK », cela signifie que le thermostat est bien réglé et que la température intérieure est correcte.
- Si l'indicateur de température devient BLANC, cela signifie que la température est trop élevée, dans ce cas, augmentez le réglage de la température et patientez 12 heures avant d'effectuer une nouvelle inspection visuelle de l'indicateur. Lorsque des aliments frais ont été introduits ou que la porte a été laissée ouverte, il est possible que l'indicateur de température devienne BLANC au bout d'un certain temps.

## LETTERA DI RINGRAZIAMENTO

Grazie per aver scelto Midea! Prima di utilizzare il nuovo prodotto Midea, leggere attentamente il presente manuale per essere certi di saper utilizzare in modo sicuro le caratteristiche e le funzioni offerte dal nuovo apparecchio.

# INDICE

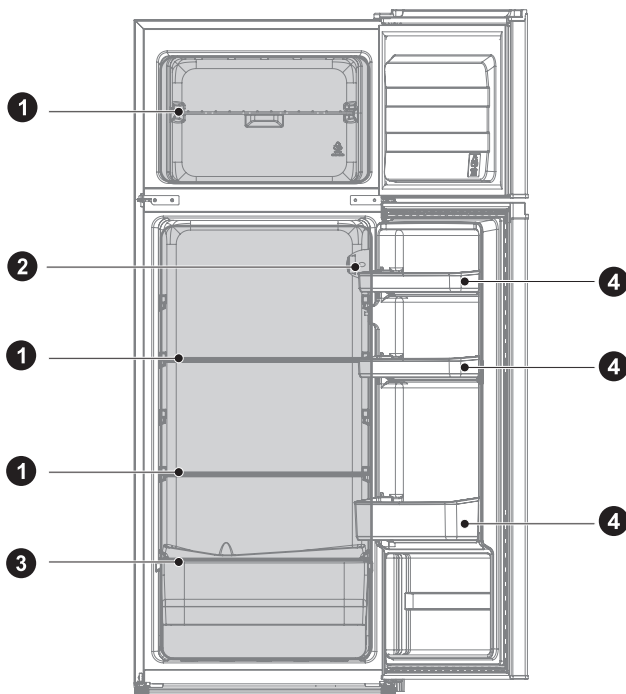
LETTERA DI RINGRAZIAMENTO .....	01
SPECIFICHE .....	02
PANORAMICA DEL PRODOTTO .....	03
INSTALLAZIONE DEL PRODOTTO .....	04
ISTRUZIONI DI FUNZIONAMENTO .....	11
PULIZIA E MANUTENZIONE .....	14
RISOLUZIONE DEI PROBLEMI .....	16
DOCUMENTAZIONE E CERTIFICAZIONI .....	18
APPENDICE .....	19

# SPECIFICHE

Modello del prodotto	MDRT294FGE01/MDRT294FGE50 /MERT210FGE01/MERT210FGE50
Volume dello scomparto di conservazione degli alimenti freschi	163 L
Volume di conservazione degli alimenti congelati	41 L
Tipo di sbrinamento	Sbrinamento manuale
Tempo di incremento temperatura	8 h
Capacità di congelamento	2,0 kg/24h
Tensione nominale	220-240 V-
Corrente nominale	0,5 A
Dimensioni complessive (A × L × P)	1430x550x550 mm

# PANORAMICA DEL PRODOTTO

## Nomi dei componenti



1 Ripiano

2 Termostato

3 Cassetto delle verdure

4 Balconcino porta

### ● ATTENZIONE

La figura sopra riportata viene fornita solo a scopo indicativo. La configurazione effettiva dipende dalle caratteristiche fisiche del prodotto e dalle indicazioni del distributore.



# INSTALLAZIONE DEL PRODOTTO

## Istruzioni di installazione

### Apparecchi di refrigerazione con classe climatica

- A seconda della classe climatica, gli apparecchi di refrigerazione sono pensati per essere utilizzati alle temperature ambiente indicate nella tabella sottostante.
- La classe climatica è riportata sulla targhetta di identificazione del prodotto. Il prodotto potrebbe non funzionare correttamente a temperature che non rientrano nell'intervallo specificato.
- È possibile trovare la classe climatica sull'etichetta del prodotto.

### Intervallo di temperatura effettiva

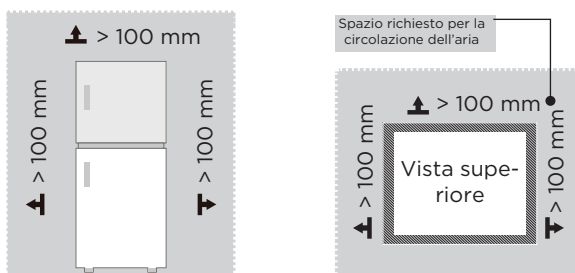
- L'apparecchio è pensato per funzionare normalmente entro l'intervallo di temperatura specificato a seconda della classe climatica.

Classe	Simbolo	Intervallo di temperatura ambiente °C	
		IEC 62552 (ISO 15502)	ISO 8561
Area temperata estesa	SN	da +10 a +32	da +10 a +32
Area temperata	N	da +16 a +32	da +16 a +32
Area Subtropicale	ST	da +16 a +38	da +18 a +38
Area Tropicale	T	da +16 a +43	da +18 a +43

IT

### Dimensioni e spazi

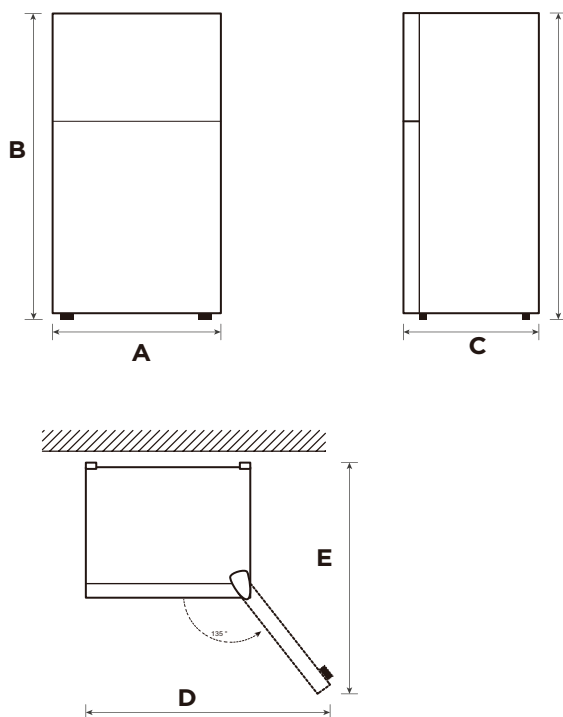
- Una distanza eccessivamente esigua dagli elementi adiacenti può comportare una riduzione della capacità di congelamento e un aumento dei costi dell'elettricità. Durante l'installazione dell'apparecchio, lasciare una distanza di oltre 100 mm da ogni parete adiacente.



### ATTENZIONE

La figura sopra riportata viene fornita solo a scopo indicativo. La configurazione effettiva dipende dalle caratteristiche fisiche del prodotto e dalle indicazioni del distributore.

Disegno sui requisiti di spazio (quando lo sportello è aperto e quando è chiuso)



IT

Larghezza	Altezza complessiva	Profondità	Larghezza sportelli aperti a 135°	Profondità sportelli aperti a 135°
A	B	C	D	E
550	1430	550	902	1052

Nota: Tutte le dimensioni in mm



## Piedini di livellamento

Per evitare vibrazioni, l'unità deve trovarsi in piano.

Se necessario, regolare le viti di livellamento per compensare le irregolarità del pavimento.

La parte anteriore deve essere leggermente più alta rispetto a quella posteriore per facilitare la chiusura dello sportello,

le viti di livellamento possono essere girate facilmente ribaltando leggermente il mobile.

Girare le viti di livellamento in senso antiorario  per sollevare l'unità, in senso orario  per abbassarla.

## Spostamento dell'apparecchio

1. Rimuovere tutti gli alimenti che si trovano all'interno dell'apparecchio.
2. Scollegare la spina di alimentazione, inserirla e fissarla nell'apposito gancio posto sul retro o sulla parte superiore dell'apparecchio.
3. Avvolgere con nastro adesivo parti come i ripiani e la maniglia dello sportello per evitare che cadano durante lo spostamento dell'apparecchio.
4. Spostare con cautela l'apparecchio insieme a più di due persone. In caso di trasporto dell'apparecchio per lunghi tratti, tenere l'apparecchio in posizione verticale.
5. Dopo aver installato l'apparecchio, collegare la spina a una presa di corrente per accenderlo.

### ATTENZIONE

La figura sopra riportata viene fornita solo a scopo indicativo. La configurazione effettiva dipende dalle caratteristiche fisiche del prodotto e dalle indicazioni del distributore.

## Cambio della porta da destra a sinistra(facoltativo)

In base alla posizione in cui si intende utilizzare il frigorifero, potrebbe essere più comodo invertire la posizione dello sportello.

### PRECAUZIONI

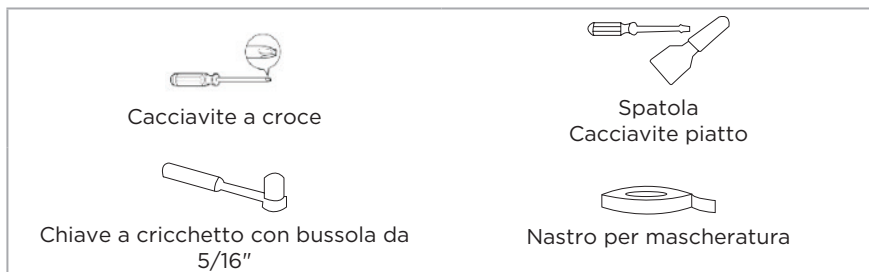
PRECAUZIONI: per evitare lesioni personali o alle cose, si consiglia di farsi assistere da qualcuno durante l'inversione dello sportello.

Preparazione per l'inversione della posizione dello sportello

A tal fine sarà necessario: un cacciavite standard, un cacciavite a croce e la chiave a brugola in dotazione.

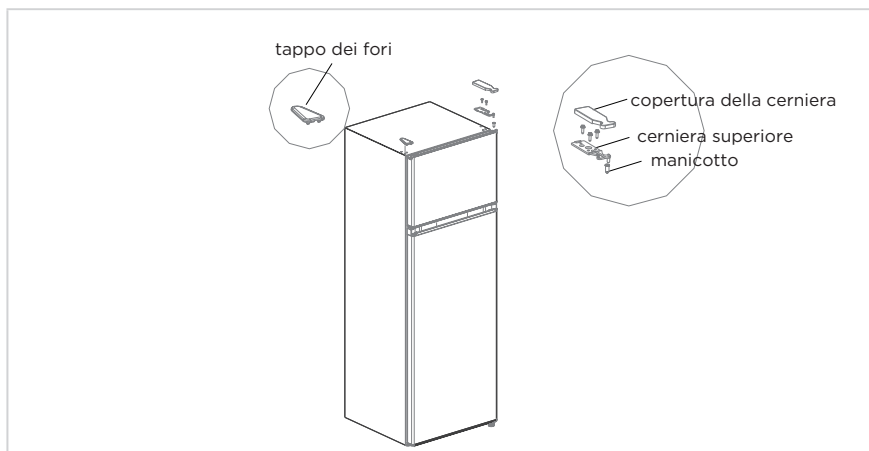
- Assicurarsi che il frigorifero sia scollegato e vuoto.
- Farsi assistere da un'altra persona per compiere l'operazione.
- Conservare tutte le parti rimosse per riutilizzarle in seguito.

### Utensili necessari per cambiare lo sportello:

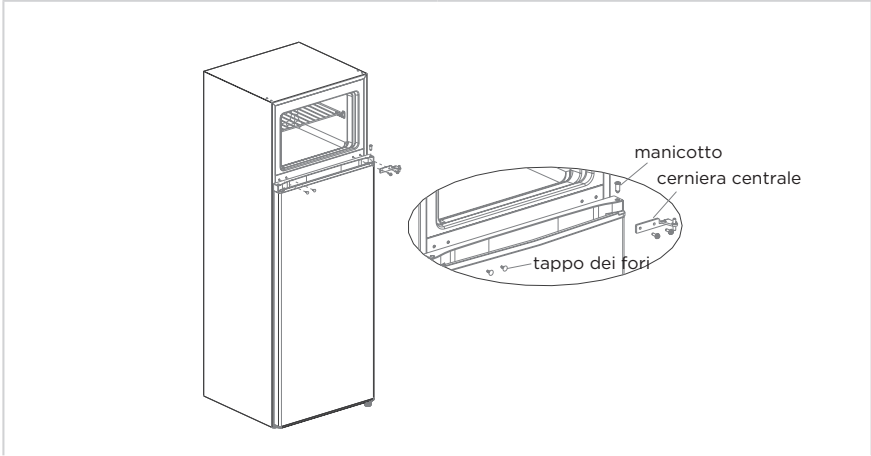


### Procedura

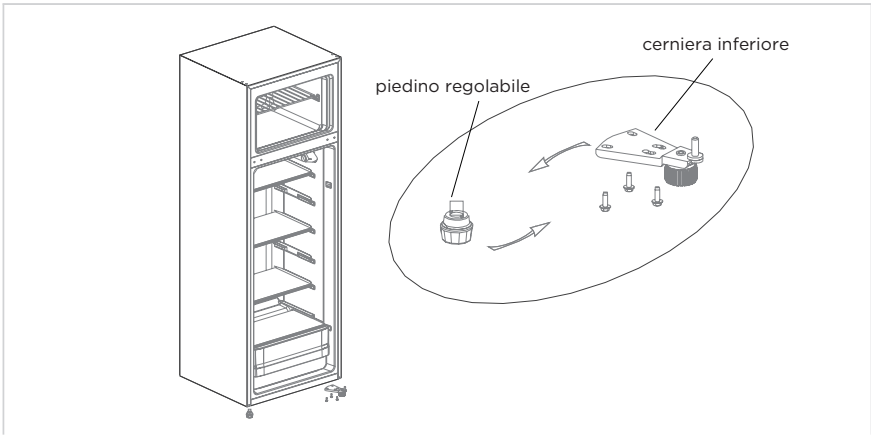
1. Spegner il frigorifero e rimuovere tutti gli oggetti dai vassoi dello sportello.
2. Rimuovere la copertura della cerniera superiore, la cerniera superiore, il manicotto dello sportello del congelatore e il tappo del foro sul lato opposto.



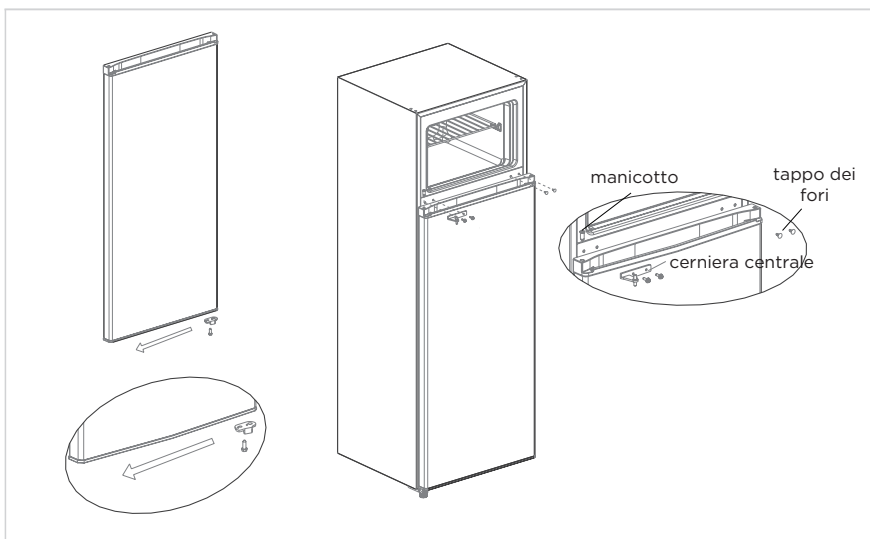
3. Rimuovere lo sportello del congelatore, la cerniera centrale, il manicotto dello sportello del frigorifero e i tappi dei fori sul lato opposto.



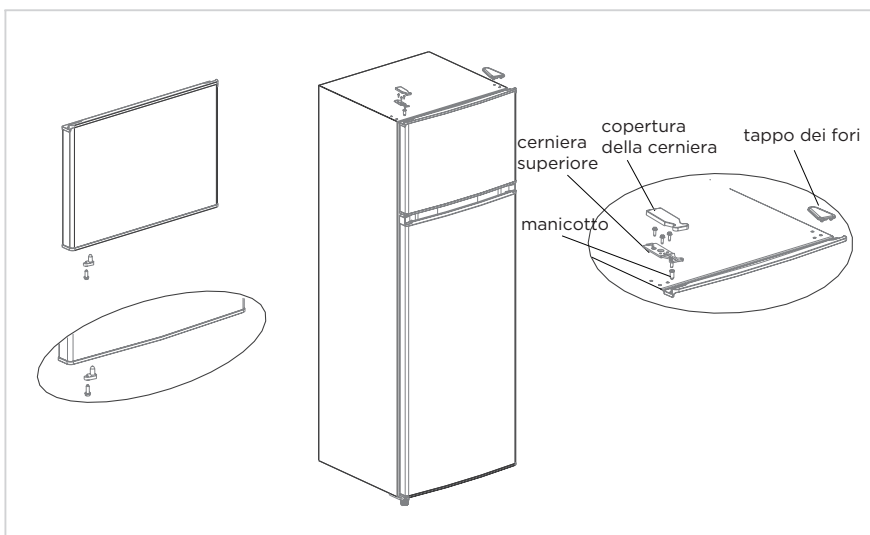
4. Rimuovere lo sportello del frigorifero, la cerniera inferiore e il piedino regolabile sul lato opposto.
5. Montare il gruppo della cerniera inferiore e il piedino regolabile sul lato opposto.



6. Montare il fermo dello sportello del frigorifero sul lato opposto.
7. Posizionare lo sportello del frigorifero sulla cerniera inferiore, quindi montare la cerniera centrale, i tappi dei fori e il manicotto dello sportello del frigorifero.



8. Prendere il fermo dello sportello del congelatore dalla confezione degli accessori e montarlo sul lato opposto dello sportello del congelatore.
9. Prendere la cerniera superiore destra e la relativa copertura dalla confezione degli accessori, posizionare lo sportello del frigorifero sulla cerniera centrale, inserire il manicotto nel foro della cerniera superiore sinistra dello sportello, montare la cerniera superiore e la relativa copertura, quindi fissare il tappo del foro sul lato opposto del frigorifero.



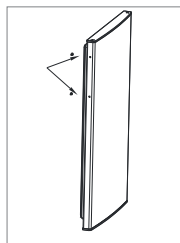
**● ATTENZIONE**

La figura sopra riportata viene fornita solo a scopo indicativo. La configurazione effettiva dipende dalle caratteristiche fisiche del prodotto e dalle indicazioni del distributore.

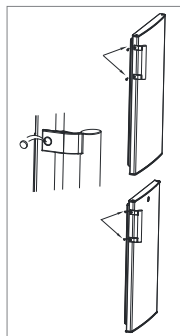
## Installazione della maniglia della porta (facoltativo)

Nota: Le figure riportate nel manuale dell'utente hanno uno scopo puramente illustrativo. Il prodotto effettivo può presentare delle lievi differenze. Il frigorifero deve essere scollegato dall'alimentazione elettrica prima di procedere all'installazione degli accessori.

Passaggio 1: estrarre i due tappi di protezione dallo sportello (sul lato di apertura)



Passaggio 2: Installare la maniglia sullo sportello e fissarla con le viti



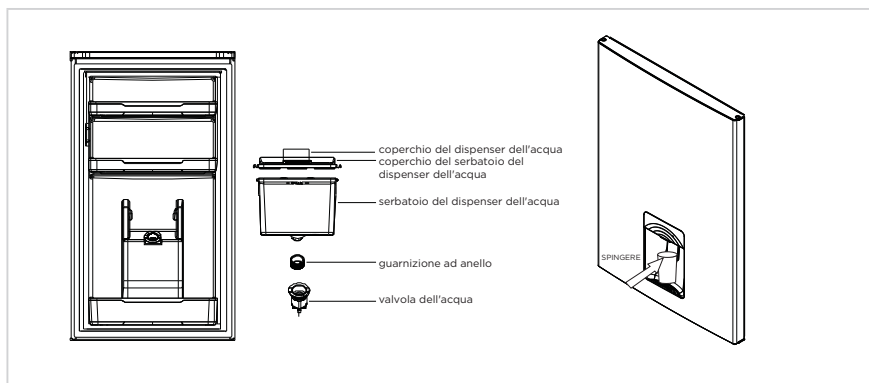
Passaggio 3: Inserire i tappi per viti della maniglia nei fori corrispondenti

\* La figura sopra serve unicamente a scopo illustrativo. La configurazione effettiva dipende dalle caratteristiche fisiche del prodotto e dalle indicazioni del distributore

IT

## Utilizzo del dispenser dell'acqua (opzionale)

1. Per prima cosa, aprire il coperchio dell'ingresso dell'acqua e riempire con acqua potabile fino a raggiungere la quantità massima indicata dal segno "MAX".
2. Utilizzare il misurino per spingere la levetta verso l'interno, a questo punto l'acqua viene erogata; quando la levetta torna nella posizione di partenza, l'acqua si ferma.
3. Il dispenser dell'acqua può essere utilizzato solo per l'acqua pura, non è adatto per bevande o succhi di frutta.



# ISTRUZIONI DI FUNZIONAMENTO

## Accensione dell'unità

Impostazione "Off": l'unità si spegne

Impostazione "Min": temperatura di raffreddamento ridotta

Impostazione "Med" o "MID": funzionamento normale (adatto alla maggior parte delle situazioni)

Impostazione "Max": raffreddamento massimo

- In giorni di temperatura ambientale elevata, ad esempio in estate, può essere necessario regolare il termostato sull'impostazione più fredda (posizione "Max"). In tal caso il compressore potrà rimanere ininterrottamente in funzione per mantenere la bassa temperatura del frigo.
- Alla prima installazione del frigorifero, impostare la manopola del termostato in posizione "Med". Lasciare raffreddare completamente il frigorifero prima di introdurre gli alimenti. Si consiglia di attendere almeno 24 ore prima di riporvi qualunque alimento. La manopola del termostato controlla la temperatura di funzionamento. Quando la manopola di controllo del termostato è in posizione OFF, il frigorifero non funzionerà.

## Suggerimenti per la conservazione di cibi nell'unità

Le pietanze a base di carne e pesce cotti devono essere sempre conservate su un ripiano al di sopra di quelli in cui sono riposti carne e pesce crudi, per evitare il rischio di contaminazioni batteriche. Conservare carne e pesce crudi adeguatamente coperti in un contenitore abbastanza grande da raccogliere anche eventuali liquidi. Sistemare il contenitore nel ripiano più in basso.

- Lasciare un po' di spazio intorno alle vivande conservate per favorire la corretta circolazione dell'aria all'interno dell'unità. Verificare che tutte le parti dell'unità siano fredde.
- Per evitare la perdita di aromi o l'essiccazione delle vivande, impacchettarle separatamente. Frutta e verdura possono essere conservati senza essere impacchettati.
- Far raffreddare i cibi cotti prima di inserirli nell'unità. Questo permetterà di mantenere la giusta temperatura all'interno dell'unità.
- Per evitare la dispersione di aria fredda dall'unità, ridurre al minimo le aperture dello sportello. Sugeriamo di aprire lo sportello solo per inserire o prelevare cibo dal frigorifero.

## Sostituzione della lampadina di illuminazione

La lampada deve essere sostituita da professionisti.



Ordine	TIPOLOGIA scomparto	Temp. di conservazione nominale [°C]	Alimenti adatti
1	Frigorifero	+2 - +8	Uova, cibi cotti, cibi confezionati, frutta e verdura, latticini, dolci, bevande e altri alimenti non sono adatti alla congelazione.
2	(***)*-Congelatore	≤-18	Prodotti ittici (pesce, gamberetti, frutti di mare), prodotti ittici d'acqua dolce e prodotti a base di carne (tempo di conservazione consigliato: 3 mesi; più lungo è il tempo di conservazione, peggiori saranno il sapore e le proprietà nutritive), adatto per alimenti freschi congelati.
3	***-Congelatore	≤-18	Prodotti ittici (pesce, gamberetti, frutti di mare), prodotti ittici d'acqua dolce e prodotti a base di carne (tempo di conservazione consigliato: 3 mesi; più lungo è il tempo di conservazione, peggiori saranno il sapore e le proprietà nutritive), adatto per alimenti freschi congelati.
4	** -Congelatore	≤-12	Prodotti ittici (pesce, gamberetti, frutti di mare), prodotti ittici d'acqua dolce e prodotti a base di carne (tempo di conservazione consigliato: 3 mesi; più lungo è il tempo di conservazione, peggiori saranno il sapore e le proprietà nutritive), adatto per alimenti freschi congelati.
5	*-Congelatore	≤-6	Prodotti ittici (pesce, gamberetti, frutti di mare), prodotti ittici d'acqua dolce e prodotti a base di carne (tempo di conservazione consigliato: 3 mesi; più lungo è il tempo di conservazione, peggiori saranno il sapore e le proprietà nutritive), adatto per alimenti freschi congelati.
6	0 stelle	-6 - 0	Carne fresca di maiale, manzo, pesce, pollo, alcuni alimenti confezionati, ecc. (si consiglia il consumo in giornata e preferibilmente entro un massimo di 3 giorni). Alimenti parzialmente trasformati e incapsulati (alimenti non congelabili).

7	Conservazione a breve termine	-2 - +3	Carne di maiale fresca/congelata, manzo, pollo, prodotti ittici d'acqua dolce, ecc. (7 giorni sotto 0 °C e sopra 0 °C si consiglia di consumarli entro lo stesso giorno, preferibilmente entro non più di 2 giorni). Prodotti ittici (meno di 0 per 15 giorni, si sconsiglia di conservarli sopra 0 °C).
8	Alimenti freschi	0 - +4	Carne fresca di maiale, manzo, pesce, pollo, alimenti cotti ecc. (si consiglia il consumo in giornata e preferibilmente entro un massimo di 3 giorni).
9	Vino	+5 - +20	Vino rosso, vino bianco, spumante, ecc.

### **ATTENZIONE**

conservare gli alimenti in base agli scomparti o alla temperatura di conservazione desiderata.

# PULIZIA E MANUTENZIONE

## Sbrinamento

- Spegner il frigorifero.
- Rimuovere il cibo dal frigorifero e conservarlo opportunamente in modo che non si scioglia.
- Pulire il tubo di drenaggio (con materiali morbidi per evitare di danneggiare il rivestimento). Preparare i contenitori dell'acqua per lo sbrinamento. (Pulire il vassoio di drenaggio dell'acqua del vano compressore, evitando di far cadere acqua a terra).
- È anche possibile servirsi di un'opportuna quantità di acqua calda per velocizzare lo sbrinamento e usare una tovaglia asciutta per rimuovere l'acqua dello sbrinamento.
- È anche possibile servirsi di un'opportuna quantità di acqua calda per velocizzare lo sbrinamento e usare una tovaglia asciutta per rimuovere l'acqua dello sbrinamento.
- Dopo lo sbrinamento, sistemare di nuovo le vivande in frigo e riaccenderlo.

## Interruzione dell'utilizzo

### Interruzione di corrente:

In caso di interruzioni di corrente, il frigorifero è in grado di conservare le vivande contenute al suo interno per diverse ore, anche in estate. Durante l'interruzione di corrente, ridurre le aperture del frigo ed evitare di inserirvi nuove vivande fresche.

### Periodi prolungati di mancato utilizzo:

il frigorifero deve essere scollegato dall'alimentazione elettrica e pulito, lasciando lo sportello aperto per evitare la formazione di cattivi odori al suo interno.

### Spostamenti:

fissare i divisori, il cassetto delle verdure, i ripiani del frigorifero ecc. con del nastro adesivo; stringere i piedini di livellamento; chiudere gli sportelli e fissarli con del nastro adesivo. Durante lo spostamento, non capovolgere il frigorifero, né muoverlo orizzontalmente, evitando di sottoporlo a urti e vibrazioni. L'inclinazione durante il trasporto non deve superare i 45°.

### ATTENZIONE

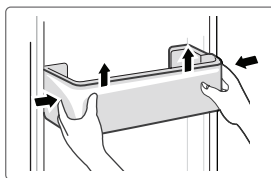
Una volta avviato, l'apparecchio deve funzionare ininterrottamente. In generale, l'utilizzo del frigorifero non deve essere interrotto, per evitare di comprometterne il corretto funzionamento.

In caso di mancanza di corrente, gli alimenti si conservano per un paio d'ore anche in estate; è consigliabile ridurre al minimo l'apertura dello sportello.

IT

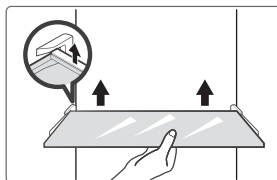
## Pulizia del balconcino della porta

- Seguendo la freccia direzionale indicata nella figura seguente, afferrare il vassoio con entrambe le mani e spingerlo verso l'alto per poi estrarlo.
- Dopo aver lavato il vassoio estratto, risistemarlo all'altezza di installazione richiesta.



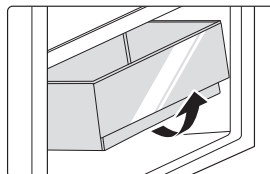
## Pulizia dei ripiani in vetro

- Poiché la parte interna del frigo viene a contatto con i ripiani e funge da arresto, è possibile sollevare i ripiani per estrarli.
- Pulire e sistemare i ripiani come richiesto.



## Pulizia del cassetto delle verdure

1. Rimuovere i contenuti del cassetto. Afferrare la maniglia del cassetto delle verdure ed estrarlo completamente fino all'arresto.
2. Sollevare il cassetto delle verdure e rimuoverlo estraendolo completamente.



### ● ATTENZIONE

Per la pulizia si consiglia di utilizzare spugne o asciugamani morbidi imbevuti di acqua e detersivi neutri non corrosivi. Il congelatore deve infine essere pulito con acqua e un panno asciutto. Aprire lo sportello per lasciare asciugare naturalmente prima di collegare la corrente. Non usare spazzole dure, sfere d'acciaio, spazzole metalliche, sostanze abrasive come il dentifricio, solventi organici (come ad esempio alcool, acetone, olio di banana, ecc.), acqua bollente, acidi o alcalini per pulire il frigorifero, poiché potrebbero danneggiare la superficie e l'interno del frigorifero.

# RISOLUZIONE DEI PROBLEMI

I seguenti problemi semplici possono essere risolti dall'utente. Contattare il servizio di assistenza post-vendita se non è possibile risolvere questi problemi.

Problema	Possibile causa
Mancato funzionamento	• Controllare che l'elettrodomestico sia collegato all'alimentazione elettrica e che la spina sia ben inserita nella presa.
	• Verificare che la tensione non sia troppo bassa.
	• Verificare che non ci siano interruzioni di corrente o cortocircuiti anche parziali
Cattivi odori	• Le vivande che emanano forte odore devono essere accuratamente protette
	• Controllare che non ci siano alimenti andati a male.
	• Pulire l'interno del frigorifero
Usura del compressore per funzionamento prolungato	• Un utilizzo prolungato del compressore è normale in estate quando la temperatura ambientale è più elevata.
	• Si suggerisce in ogni caso di non sovraccaricare mai con troppe vivande il frigorifero
	• Le vivande calde devono essere fatte raffreddare prima di essere messe in frigo
	• Gli sportelli vengono aperti troppo di frequente
La luce non si accende	• Controllare che il frigorifero sia collegato correttamente all'alimentazione e che la lampadina non sia danneggiata.
	• La luce deve essere sostituita da un tecnico esperto
Lo sportello non si chiude correttamente	• Lo sportello è ostruito da confezioni di alimenti. Il frigo è troppo pieno
	• Il frigorifero è inclinato.
Rumori forti	• Controllare che il pavimento sia livellato e che il frigorifero vi sia poggiato in modo stabile
	• Controllare che gli accessori siano posizionati correttamente.

Problema	Possibile causa
La guarnizione dello sportello non garantisce una chiusura ermetica	<ul style="list-style-type: none"> <li>• Rimuovere eventuali corpi estranei dalla guarnizione dello sportello</li> <li>• Riscaldare e raffreddare la guarnizione della porta per ripristinarla (oppure servirsi di un asciugatore elettrico o di una tovaglia bollente per riscaldarla)</li> </ul>
Fuoriuscita dell'acqua dalla vaschetta di raccolta	<ul style="list-style-type: none"> <li>• C'è troppo cibo nel vano refrigerante oppure le vivande conservate contengono troppa acqua, che causa un eccessivo sbrinamento.</li> <li>• Gli sportelli non si chiudono correttamente, causando la formazione di ghiaccio a causa dell'ingresso di aria e un aumento dell'acqua di sbrinamento.</li> </ul>
L'involucro esterno dell'apparecchio è caldo	<ul style="list-style-type: none"> <li>• La dissipazione di calore del condensatore integrato avviene normalmente tramite l'alloggiamento del frigo. Se l'alloggiamento diventa troppo caldo a causa dell'elevata temperatura ambientale o per la conservazione di troppe vivande, si suggerisce di garantire un'adeguata ventilazione per facilitare la dissipazione del calore</li> </ul>
Condensa sulla superficie	<ul style="list-style-type: none"> <li>• La formazione di condensa sulla superficie esterna e sulle guarnizioni degli sportelli del frigorifero è normale quando l'umidità dell'ambiente è elevata. È sufficiente asciugare la condensa con un panno pulito.</li> </ul>
Rumori anormali	<ul style="list-style-type: none"> <li>• Ronzio: il compressore può produrre dei ronzii, in particolare in fase di accensione e spegnimento. Ciò è perfettamente normale.</li> <li>• Cigolii: Il flusso del refrigerante all'interno dell'elettrodomestico può produrre cigolii, il che è normale.</li> </ul>

# DOCUMENTAZIONE E CERTIFICAZIONI

## Dichiarazione di conformità

Con la presente confermiamo che i nomi dei modelli dei clienti e i nomi dei modelli Midea corrispondono rispettivamente ai nomi dei modelli in questione.

Marca	Modello Midea	Modello commerciale	Modello di fabbrica
Midea	HD-273FN	MDRT294FGE01	CE-BCD210CM-JQ
Midea	HD-273FN	MDRT294FGE50	CE-BCD210CM-JQ
Midea	HD-273FN	MERT210FGE01	CE-BCD210CM-JQ
Midea	HD-273FN	MERT210FGE50	CE-BCD210CM-JQ

IT

Nome del produttore: Guangzhou Midea Hualing Refrigerator Co., Ltd.  
Indirizzo del produttore: No. 5 Xinguangsi Road, Qianfeng Zhujiang, Nansha District, Guangzhou City, Guangdong Province, P.R.China

Con la presente, l'Guangzhou Midea Hualing Refrigerator Co., Ltd, dichiarano che i prodotti di cui sopra sono conformi alle normative e agli standard attualmente vigenti.

# APPENDICE

## Disposizioni speciali dei nuovi standard europei

I pezzi di ricambio indicati nella tabella che segue possono essere acquistati tramite il servizio di assistenza

Parte da ordinare	Fornita da	Tempo minimo di messa a disposizione
Termostati	Personale di manutenzione professionale	Almeno 7 anni dopo il lancio sul mercato dell'ultimo modello
Sensori di temperatura	Personale di manutenzione professionale	Almeno 7 anni dopo il lancio sul mercato dell'ultimo modello
Circuiti stampati	Personale di manutenzione professionale	Almeno 7 anni dopo il lancio sul mercato dell'ultimo modello
Sorgente luminosa	Personale di manutenzione professionale	Almeno 7 anni dopo il lancio sul mercato dell'ultimo modello
Maniglie degli sportelli	Riparatori professionisti e utenti finali	Almeno 7 anni dopo il lancio sul mercato dell'ultimo modello
Cerniere dello sportello	Riparatori professionisti e utenti finali	Almeno 7 anni dopo il lancio sul mercato dell'ultimo modello
Vassoi	Riparatori professionisti e utenti finali	Almeno 7 anni dopo il lancio sul mercato dell'ultimo modello
Cestelli	Riparatori professionisti e utenti finali	Almeno 7 anni dopo il lancio sul mercato dell'ultimo modello
Guarnizioni dello sportello	Riparatori professionisti e utenti finali	Almeno 10 anni dopo il lancio sul mercato dell'ultimo modello

### Gentile cliente

1. Per restituire o sostituire il prodotto, rivolgersi al punto vendita presso cui è stato acquistato.  
(Ricordarsi di portare la ricevuta dell'acquisto)
2. In caso il prodotto necessiti di riparazione, occorre contattare il centro di assistenza post-vendita.

### ATTENZIONE

Le informazioni sul modello contenute nel database dei prodotti, e l'identificativo del modello, possono essere ottenuti effettuando la scansione del codice QR, se presente, riportato sull'etichetta energetica del prodotto.

Per ulteriori informazioni sull'efficienza energetica dell'apparecchio, visitare il sito <https://ec.europa.eu> e cercare il nome del modello.

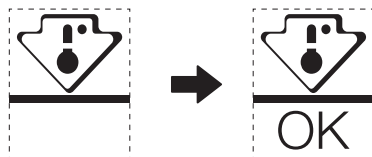
Il nome del modello è riportato sull'etichetta dati dell'apparecchio.



## Zona più fredda del frigorifero

### OPZIONALE: indicatore temperatura OK

- L'indicatore temperatura OK può essere utilizzato per determinare le temperature inferiori a +4 °C. Ridurre gradualmente la temperatura qualora l'indicatore non indichi "OK".



- Per mantenere la temperatura di quest'area, non cambiare la posizione dello scaffale. Nei frigoriferi ad aria compressa (dotati di ventola o nei modelli No Frost), il simbolo della zona più fredda è assente, perché la temperatura interna è omogenea.

### Impostazione della temperatura

- Per configurare al meglio il frigorifero, esso è dotato di un indicatore di temperatura che controlla la temperatura media nella zona più fredda.
- **AVVERTENZA:** Questo indicatore funziona solo in questo modello, non tentare di usarlo in altri frigoriferi (nei quali la zona più fredda è diversa), né per nessun altro scopo.

### Controllo della temperatura nella zona più fredda

- L'indicatore di temperatura permette di controllare con regolarità la corretta temperatura della zona più fredda. In realtà, la temperatura interna del frigo dipende da vari fattori, quali la temperatura ambientale esterna, la quantità di cibo conservata e la frequenza di apertura della porta. Tenere conto di questi fattori per configurare il dispositivo.
- Quando l'indicatore mostra «OK», il termostato è ben regolato e la temperatura interna è corretta.
- Se l'indicatore di temperatura diventa BIANCO, vuol dire che la temperatura è troppo alta; in tal caso, incrementare l'impostazione del controllo di temperatura del frigo e attendere 12 ore prima di controllare di nuovo l'indicatore. Dopo aver inserito cibo fresco in frigo o dopo l'apertura della porta, è possibile che l'indicatore di temperatura diventi BIANCO dopo un po' di tempo.

IT

## GRACIAS POR SU CARTA

¡Gracias por elegir Midea! Antes de usar su nuevo producto Midea, lea detenidamente este manual para asegurarse de que sabe cómo operar las características y funciones que su nuevo aparato ofrece de forma segura.

# CONTENIDO

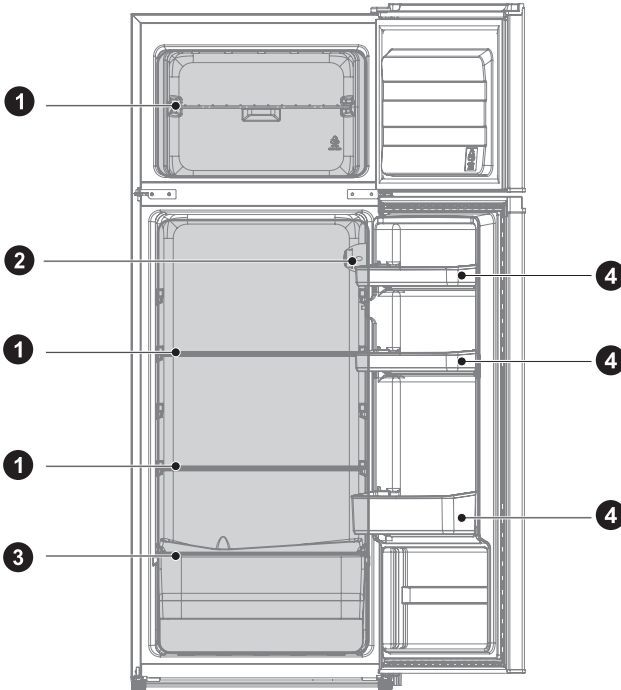
GRACIAS POR SU CARTA .....	01
ESPECIFICACIONES .....	02
VISTA GENERAL DEL PRODUCTO .....	03
INSTALACIÓN DEL PRODUCTO .....	04
INSTRUCCIONES DE FUNCIONAMIENTO .....	11
LIMPIEZA Y MANTENIMIENTO .....	14
PROBLEMAS Y SOLUCIONES .....	16
DOCUMENTOS Y CERTIFICACIONES .....	18
APÉNDICE .....	19

# ESPECIFICACIONES

<b>Modelo del producto</b>	<b>MDRT294FGE01/MDRT294FGE50 /MERT210FGE01/MERT210FGE50</b>
Volumen del compartimento de almacenamiento de alimentos frescos	163 L
Volumen de almacenamiento de alimentos congelados	41 L
Tipo de descongelación	Descongelación manual
Tiempo de aumento de temperatura	8 h
Capacidad de congelación	2,0 kg/24h
Tensión nominal	220-240 V-
Corriente nominal	0,5 A
Dimensiones generales (A x A x D)	1430x550x550 mm

# VISTA GENERAL DEL PRODUCTO

## Nombres de los componentes



1 Repisa

2 Termostato

3 Cajón para verduras

4 Bandeja de la puerta

### ● ATENCIÓN

La imagen que aparece arriba tiene solo una finalidad de referencia. La configuración real dependerá del producto físico o declaración por parte del distribuidor.

# INSTALACIÓN DEL PRODUCTO

## Instrucciones de instalación

### Para aparatos frigoríficos con clase climática

- Dependiendo de la clase climática, este aparato de refrigeración está diseñado para usarse dentro de los rangos de temperatura ambiente especificados en la siguiente tabla.
- La clase climática se puede encontrar en la placa de características. El producto podría no funcionar adecuadamente a temperaturas que no estén comprendidas en el rango especificado.
- Puede encontrar la clase de clima en la etiqueta del producto.

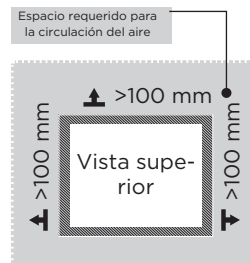
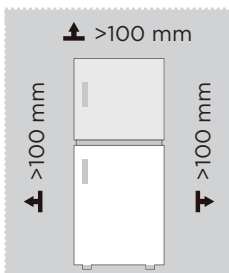
### Rango de temperatura efectiva

- La nevera está diseñada para funcionar con normalidad dentro del rango de temperaturas especificado en su clasificación.

Clase	Símbolo	Alcance de temperatura ambiente °C	
		IEC 62552 (ISO 15502)	ISO 8561
Templada extendida	SN	+ 10 hasta + 32	+ 10 hasta + 32
Templada	N	+ 16 hasta + 32	+ 16 hasta + 32
Subtropical	ST	+ 16 hasta + 38	+ 18 hasta + 38
Tropical	T	+ 16 hasta + 43	+ 18 hasta + 43

### Dimensiones y espacios libres

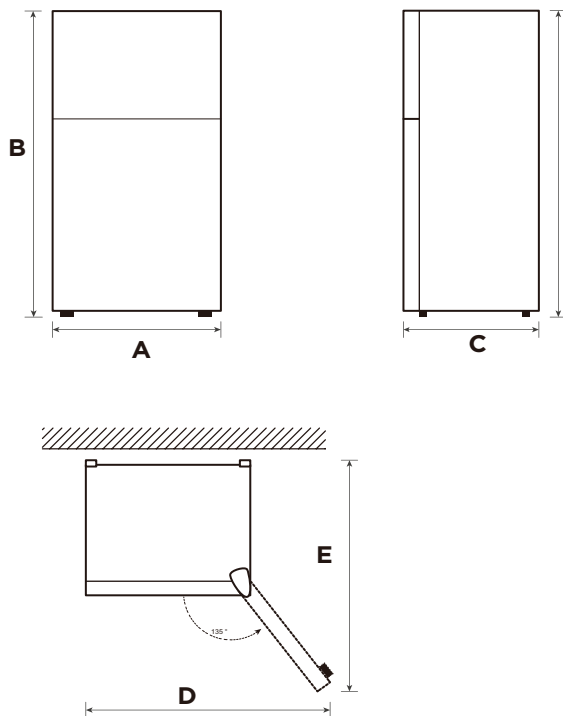
- Si es demasiado pequeño de una distancia desde elementos adyacentes se puede provocar la degradación de la capacidad de congelación y aumentar los costes de electricidad. Deje más de 100 mm de espacio libre desde cada pared adyacente cuando instale el aparato.



### ● ATENCIÓN

La imagen que aparece arriba tiene solo una finalidad de referencia. La configuración real dependerá del producto físico o declaración por parte del distribuidor.

Diagrama de requerimientos de espacio (cuando la puerta esté abierta y cuando la puerta esté cerrada)



ES

Anchura	Altura general	Profundidad	Anchura con las puertas abiertas 135°	Profundidad con las puertas abiertas 135°
A	B	C	D	E
550	1430	550	902	1052

Aviso: Todas las dimensiones son en milímetros



## Nivelado de los pies

Para evitar vibraciones, se debe nivelar la unidad.

Si es necesario, ajuste los tornillos de nivelación para compensar el suelo irregular.

La parte delantera debe ser ligeramente más alta que la trasera para ayudar al cierre de la puerta.

Los tornillos de nivelación pueden girarse con facilidad inclinando ligeramente el armario.

Gire en sentido antihorario los tornillos de nivelación  para subir la unidad y en sentido horario  para bajarla.

## Movimiento del aparato

1. Saque toda la comida del interior del aparato.
2. Desenchufe el cable de alimentación, inserte el enchufe y fíjelo en el gancho a tal efecto en la parte trasera o superior del aparato.
3. Fije con cinta adhesiva las piezas como las estanterías y el mango de la puerta para que no se caigan cuando se mueva el aparato.
4. Mueva el aparato usando dos o más personas y con cuidado. Cuando transporte el aparato una larga distancia, mantenga el aparato en posición vertical.
5. Tras instalar el aparato, conecte el enchufe a una toma de corriente y encienda el aparato.

ES

### ATENCIÓN

La imagen que aparece arriba tiene solo una finalidad de referencia. La configuración real dependerá del producto físico o declaración por parte del distribuidor.

## Cambio de puerta derecha - izquierda(opcional)

Basándose en la ubicación donde piense usar el frigorífico, puede que encuentre más práctico invertir la posición de la puerta.

### PRECAUCIÓN

PRECAUCIÓN: Para evitar lesiones a usted mismo y su propiedad, recomendamos que alguien le ayude durante el proceso de inversión de puertas.

Preparación para invertir la posición de la puerta

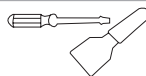
Necesitará: un destornillador estándar, un destornillador de cabeza Phillips y la llave Allen que se adjunta.

- Asegúrese de que el frigorífico está desconectado y vacío.
- Haga que alguien que esté disponible le ayude en el proceso.
- Guarde todas las piezas que retire para reutilizarlas más tarde.

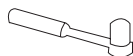
### Herramientas necesarias para cambiar la puerta:



Destornillador para cabeza en cruz



Cuchillo de masilla  
Destornillador de cabeza plana



Llave de carraca y vaso de 5/16"

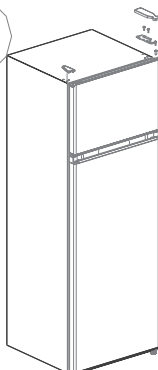


Cinta de carroceros

### Paso

1. Apague el frigorífico y retire todos los objetos de las bandejas de la puerta.
2. Retire la cubierta de la bisagra superior, la bisagra superior, la tubería adaptadora de la puerta del congelador y el tapón del orificio del lado contrario.

tapón del agujero



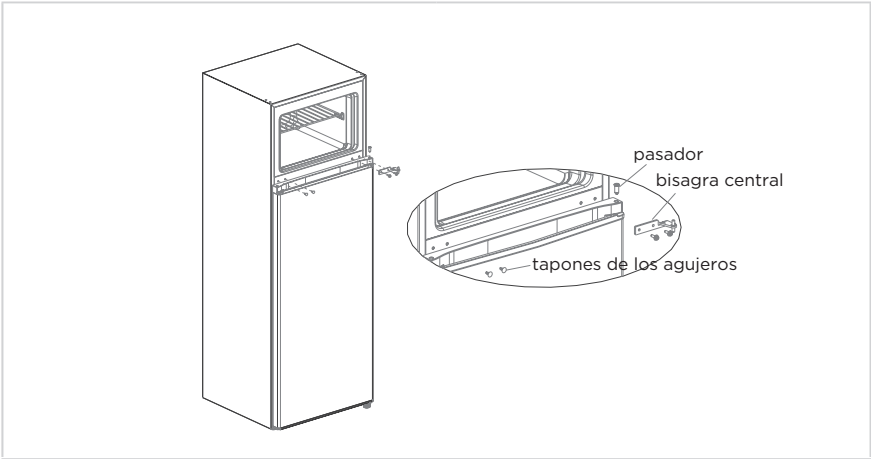
cubierta de la bisagra

bisagra superior

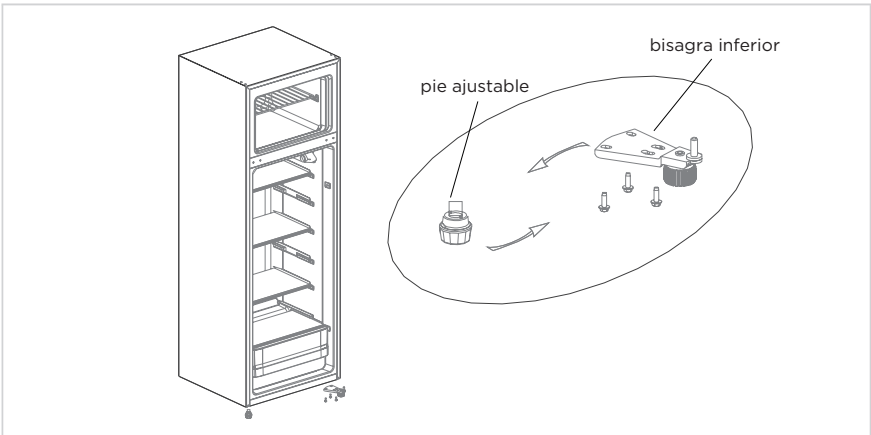
pasador



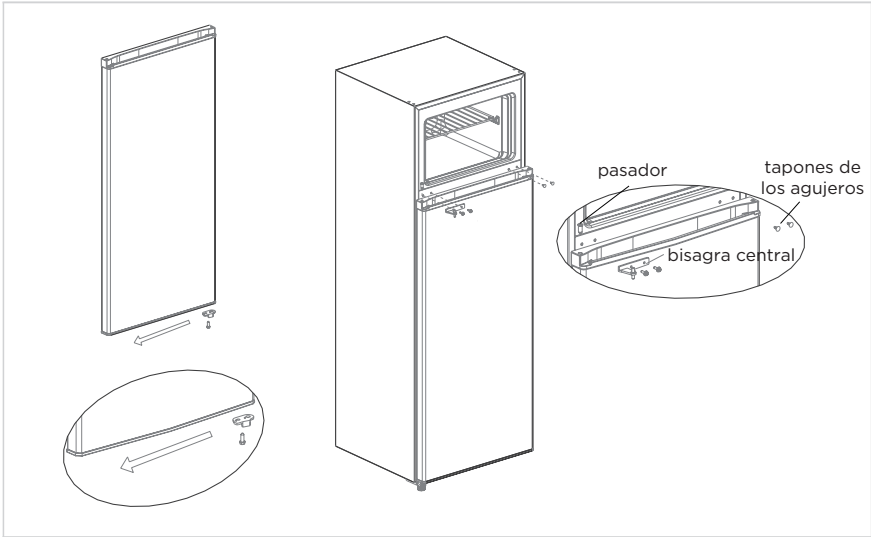
3. Retire la puerta de la cámara de congelación, la bisagra central, la tubería adaptadora de la puerta del frigorífico y los tapones de los orificios del lado contrario.



4. Retire la puerta del frigorífico, la bisagra inferior y el pie ajustable del otro lado.
5. Monte el ensamblaje de la bisagra inferior y el pie ajustable en el lado contrario.

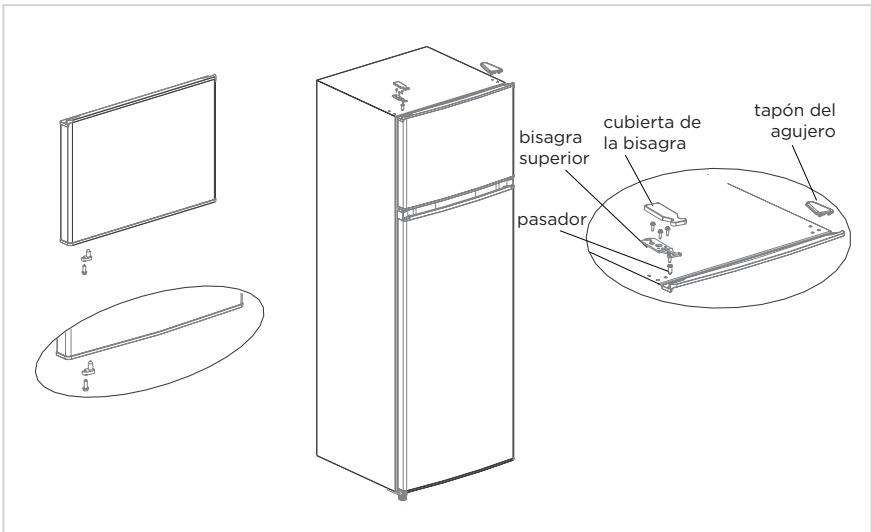


6. Monte el tope de la puerta del frigorífico del lado contrario.
7. Coloque la puerta del frigorífico en la bisagra inferior, monte la bisagra central, los tapones de los orificios y la tubería adaptadora de la puerta del frigorífico.



8. Saque el tope de la puerta del congelador del paquete de los accesorios y móntelo en el otro lado de la puerta del congelador.

9. Saque la bisagra superior derecha y la cubierta de la bisagra superior derecha del paquete de accesorios. Coloque la puerta del congelador en la bisagra central e inserte la tubería adaptadora en el agujero de la bisagra de la parte superior izquierda de la puerta. Monte la bisagra superior y la cubierta de la bisagra superior y, a continuación, fije el tapón del orificio del lado contrario del frigorífico.



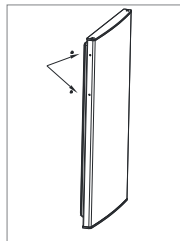
**● ATENCIÓN**

La imagen que aparece arriba tiene solo una finalidad de referencia. La configuración real dependerá del producto físico o declaración por parte del distribuidor.

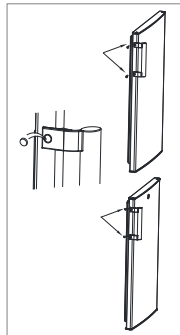
## Iluminación del tirador de la puerta (opcional)

Nota: Las figuras en el manual del usuario son únicamente una referencia. El producto real puede ser ligeramente distinto. Se debe desconectar el frigorífico de la fuente de alimentación eléctrica antes de instalar los accesorios.

Paso 1: saque los dos tapones de la puerta (en el lateral de la puerta abierta)



Paso 2: instale el tirador de la puerta y apriételo con los tornillos



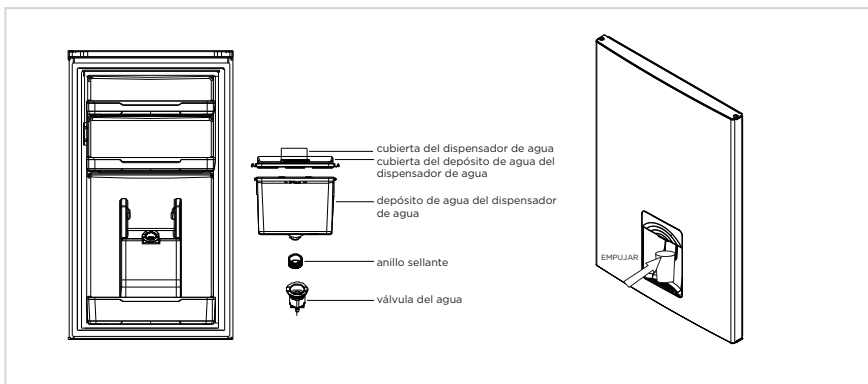
Paso 3: use los tapones para tapar los agujeros de los tornillos del tirador

\* La imagen que aparece arriba tiene solo una finalidad de referencia. La configuración real dependerá del producto físico o declaración por parte del distribuidor.

ES

## Uso del dispensador de agua (opcional)

1. Primero abra la cubierta de entrada de agua y llénela con agua potable hasta la marca "MAX", que es la cantidad máxima de agua.
2. Use la copa para empujar el pestillo hacia el interior; el agua saldrá; cuando el pestillo vuelva a su posición original, el agua se detiene.
3. Solo se puede usar el dispensador de agua para agua pura; no es apto para bebidas o zumos de frutas.



# INSTRUCCIONES DE FUNCIONAMIENTO

## Cómo encender la unidad

Configuración "Off": unidad apagada

Configuración "Min": temperatura menos fría

Configuración "Med" o "MID": funcionamiento normal (adecuado para la mayoría de las situaciones)

Configuración "Max": temperatura más fría

- Durante temperaturas ambiente elevadas, por ejemplo, en cálidos días de verano. Podría ser necesario colocar el termostato en la posición más fría ("Max"). Esto haría funcionar al compresor constantemente para mantener el interior del frigorífico a una baja temperatura.
- La primera vez que instale el frigorífico, fije el botón del termostato en "Med". Deje que el frigorífico se enfríe completamente antes de añadir alimentos. Es mejor esperar 24 horas antes de añadir alimentos. El selector del termostato controla la temperatura. Cuando el selector del termostato está fijado en OFF, el frigorífico no funcionará.

ES

## Consejos para conservar los alimentos en el frigorífico

Las carnes y pescados cocinados deben almacenarse siempre en un estante por encima de las carnes y pescados crudos para evitar la transferencia bacteriana. Mantenga las carnes y pescados en un recipiente bien cerrado lo suficientemente grande para que recoja los líquidos. Coloque el recipiente en el estante inferior.

- Deje espacio entre la comida para permitir que circule el aire dentro del frigorífico. Asegúrese de que todas las partes de la unidad se conservan frías.
- Para evitar la transferencia de sabores y la desecación de los alimentos, envase o cubra los alimentos por separado. No es necesario envolver las frutas ni las verduras.
- Deje enfriar los alimentos cocinados antes de meterlos en el frigorífico. Esto permitirá conservar la temperatura interna de la unidad.
- Para evitar que el aire frío salga del aparato, intente limitar el número de veces que abre la puerta. Es recomendable abrir la puerta solamente cuando tenga que meter o sacar comida.

## Cambiar la bombilla

La bombilla tiene que ser reemplazada por profesionales.

Pedido	TIPO de compartimentos	Temperatura objetivo de almacenamiento [°C]	Alimentos adecuados
1	Frigorífico	+2 - +8	Huevos, alimentos cocinados, alimentos envasados, frutas y verduras, productos lácteos, pasteles, bebidas y otros alimentos no aptos para su congelación.
2	(***)*-Congelador	≤-18	Pescado y marisco (gambas, moluscos), productos de agua dulce y productos cárnicos (recomendado 3 meses; cuanto mayor sea el tiempo de almacenamiento, peor será el sabor y los valores nutricionales), apto para alimentos frescos congelados.
3	***-Congelador	≤-18	Pescado y marisco (gambas, moluscos), productos de agua dulce y productos cárnicos (recomendado 3 meses; cuanto mayor sea el tiempo de almacenamiento, peor será el sabor y los valores nutricionales), apto para alimentos frescos congelados.
4	** -Congelador	≤-12	Pescado y marisco (gambas, moluscos), productos de agua dulce y productos cárnicos (recomendado 3 meses; cuanto mayor sea el tiempo de almacenamiento, peor será el sabor y los valores nutricionales), apto para alimentos frescos congelados.
5	*-Congelador	≤-6	Pescado y marisco (gambas, moluscos), productos de agua dulce y productos cárnicos (recomendado 3 meses; cuanto mayor sea el tiempo de almacenamiento, peor será el sabor y los valores nutricionales), apto para alimentos frescos congelados.
6	0 estrellas	-6 - 0	Cerdo, ternera, pescado y pollo frescos, algunos alimentos procesados empaquetados, etc. (Consumo recomendado el mismo día, preferentemente antes de 3 días.) Alimentos procesados parcialmente envasados (alimentos no congelables).

7	Frío	-2 - +3	Cerdo fresco / congelado, ternera, pollo, productos de pesca frescos, etc. (7 días por debajo de 0°C y por encima de 0°C; se recomienda para su consumo en el mismo día, preferentemente no más de 2 días). Marisco (menos de 0 durante 15 días; no se recomienda guardar por encima de 0°C.
8	Alimentos frescos	0 - +4	Cerdo, ternera, pescado y pollo frescos, alimentos cocinados, etc. (Consumo recomendado el mismo día, preferentemente antes de 3 días.)
9	Vino	+5 - +20	Vino tinto, vino espumoso, etc.

### ATENCIÓN

guarde diferentes alimentos conforme a los compartimentos o la temperatura de almacenamiento objetivo de su compra.

# LIMPIEZA Y MANTENIMIENTO

## Descongelación

- Apague el frigorífico.
- Retire los alimentos del refrigerador y colóquelos adecuadamente para evitar que se derritan.
- Retire el tubo de drenaje (para usar materiales suaves para evitar daños en el revestimiento); prepare los contenedores de agua para la descongelación. (Preste atención al limpiar la bandeja de drenaje del compartimento del compresor, evitando que se desborde al suelo.)
- También puede acelerar la descongelación con una cantidad adecuada de agua caliente; use un paño seco para secar después de descongelar.
- También puede acelerar la descongelación con una cantidad adecuada de agua caliente; use un paño seco para secar después de descongelar.
- Tras la descongelación, vuelva a poner los alimentos en los compartimentos y encienda el frigorífico.

## Dejar de usarlo

### Fallo de alimentación:

En caso de un fallo de alimentación, incluso en verano, los alimentos en el interior del aparato pueden mantenerse durante varias horas; durante un fallo de alimentación, se debe reducir las veces que se abre la puerta y no se deben colocar más alimentos frescos en el aparato.

### Ausencia de uso prolongada:

El aparato debe desenchufarse y después limpiarse; posteriormente, las puertas se dejan abiertas para evitar los malos olores.

### Traslado:

las partes de cristal, el soporte de las verduras, los cajones de la cámara de congelación, etc. con cinta y apriete los pies de equilibrado; cierre las puertas y séllelas con cinta. Durante el traslado, no se debe colocar el aparato al revés u horizontalmente o hacer que vibre; la inclinación durante el movimiento no será superior a 45°.

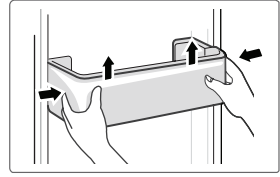
### ● ATENCIÓN

EL aparato debe funcionar de forma continua una vez que se enciende. En general, el funcionamiento del aparato no debe interrumpirse; el caso contrario, se puede ver alterada su vida útil.

Se pueden conservar los alimentos durante un par de horas incluso en verano en caso de un fallo de corriente; se recomienda reducir la frecuencia de la apertura de la puerta.

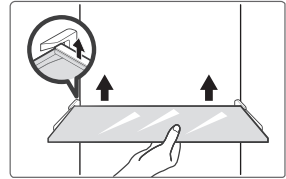
## Limpieza de la bandeja de la puerta

- Según la flecha de dirección de la figura que aparece debajo, use ambas manos para apretar la bandeja, empujarla hacia arriba y después puede extraerla.
- Tras lavar la bandeja que se ha extraído, puede ajustar su altura de instalación conforme a sus exigencias.



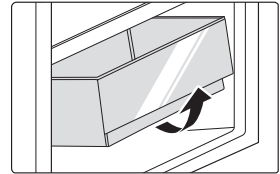
## Limpieza de la estantería de vidrio

- Como la parte más interna del revestimiento del frigorífico donde entran en contacto las estanterías dispone de un tope, debe elevar las estanterías y después podrá extraerlas.
- Ajuste o limpie las estanterías según sus necesidades.



## Limpieza del cajón de las verduras

1. Retire los contenidos del cajón. Sujete el asa del cajón de las verduras y extraígalo completamente hasta que se detenga.
2. Levante hacia arriba el cajón de las verduras y retírelo extrayéndolo.



### ● ATENCIÓN

Se sugiere para la limpieza toallas suaves o esponjas empapadas en agua y detergente neutros no corrosivos. El congelador se debe limpiar con agua limpia y un paño seco. Abra la puerta para que se seque de forma natural antes de encenderlo. No use cepillos duros, bolas de acero de limpieza, cepillos de cerdas metálicas, productos abrasivos como dentífricos, disolventes orgánicos (como alcohol, acetona, aceite de plátano, etc.), agua hirviendo, elementos ácidos o alcalinos para limpiar el frigorífico considerando que esto puede dañar la superficie y el interior del frigorífico.



# PROBLEMAS Y SOLUCIONES

El usuario puede ocuparse de los siguientes problemas simples. Llame al servicio posventa si no se solucionan los problemas.

Problema	Posible motivo
Fallo en el funcionamiento	• Compruebe si el aparato está conectado a la alimentación I si el enchufe tiene bien los contactos.
	• Compruebe si la tensión es demasiado baja.
	• Compruebe si hay un fallo de corriente o han saltado los circuitos parciales.
Mal olor	• Se deben envolver bien los alimentos que produzcan mal olor.
	• Compruebe si hay alimentos podridos.
	• Limpie el interior del refrigerador.
Funcionamiento durante mucho tiempo del compresor	• Es normal el funcionamiento prolongado del refrigerador en verano cuando la temperatura ambiente es.
	• No se recomienda tener muchos alimentos en el aparato al mismo tiempo.
	• Se deben enfriar los alimentos antes de empezar a ponerlos en el aparato.
	• Las puertas se abren con demasiada frecuencia.
La luz no se enciende.	• Compruebe si el refrigerador está conectado a la alimentación y si la luz que se debe iluminar presenta daños.
	• Recorra a un técnico calificado para cambiar la lámpara.
La puerta no se puede cerrar debidamente	• La puerta está atascada por paquetes de alimentos. Se han colocado demasiados alimentos
	• El frigorífico está inclinado.
Ruidos altos	• Compruebe si el suelo está nivelado y si el refrigerador está colocado de forma estable.
	• Compruebe si los accesorios están colocados en las ubicaciones adecuadas

ES

Problema	Posible motivo
El sello de la puerta no está estanco	<ul style="list-style-type: none"> <li>• Retire materiales extraños del sello de la puerta</li> <li>• Caliente el sello de la puerta y después refrigérelo para restaurarlo (o sóplelo con un secador eléctrico o use una toalla caliente para calentarlo)</li> </ul>
La bandeja de agua se desborda.	<ul style="list-style-type: none"> <li>• Hay demasiados alimentos en la cámara o los alimentos almacenados contienen demasiada agua, lo que provoca una grave descongelación</li> <li>• Las puertas no están cerradas debidamente lo que provocar hielo debido a la entrada de aire y al aumento de agua debido a la descongelación</li> </ul>
Carcasa caliente	<ul style="list-style-type: none"> <li>• Disipación del calor del condensador integrado mediante la carcasa, que es normal cuando la carcasa se calienta debido a una temperatura ambiente elevada, o el almacenamiento de demasiado alimentos o si se cierra del compresor y proporciona una buena ventilación para facilitar la disipación del calor</li> </ul>
Condensación de la superficie	<ul style="list-style-type: none"> <li>• La condensación de la superficie exterior y los sellos de la puerta del refrigerador es normal cuando la humedad ambiente es demasiado alta. Simplemente limpie la condensación con una toallita limpia.</li> </ul>
Ruido anormal	<ul style="list-style-type: none"> <li>• Pitido: El compresor puede producir pitidos durante el funcionamiento y los pitidos son altos en especial durante el inicio y la parada. Esto es normal.</li> <li>• Crujido: El refrigerante que fluye por el interior del aparato puede producir crujidos, lo que es normal.</li> </ul>

# DOCUMENTOS Y CERTIFICACIONES

## Declaración de conformidad

Por la presente, confirmamos que los nombres de modelos de clientes siguientes y los nombres del modelos de Midea se corresponden entre sí respectivamente.

Marca	Modelo Midea	Modelo de marketing	Modelo de fábrica
Midea	HD-273FN	MDRT294FGE01	CE-BCD210CM-JQ
Midea	HD-273FN	MDRT294FGE50	CE-BCD210CM-JQ
Midea	HD-273FN	MERT210FGE01	CE-BCD210CM-JQ
Midea	HD-273FN	MERT210FGE50	CE-BCD210CM-JQ

Nombre del fabricante: Guangzhou Midea Hualing Refrigerator Co., Ltd.  
Dirección del fabricante: No. 5 Xinguangsi Road, Qianfeng Zhujiang, Nansha District, Guangzhou City,Guangdong Province, R. P. China

Guangzhou Midea Hualing Refrigerator Co., Ltd., por la presente, declaramos que los productos arriba mencionados cumplen con las normativas y los estándares válidos en la actualidad arriba mencionados.

ES

# APÉNDICE

## Especial para el nuevo estándar europeo

Las piezas pedidas que se incluyen en la siguiente tabla se pueden adquirir en la red de proveedores de servicios.

Pieza pedida	Proporcionada por	Tiempo mínimo hasta el suministro
Termostatos	Personal profesional de mantenimiento	Al menos 7 años después de que se haya lanzado al mercado el último modelo
Sensor de temperatura	Personal profesional de mantenimiento	Al menos 7 años después de que se haya lanzado al mercado el último modelo
Placa de circuito impreso	Personal profesional de mantenimiento	Al menos 7 años después de que se haya lanzado al mercado el último modelo
Fuente de luz	Personal profesional de mantenimiento	Al menos 7 años después de que se haya lanzado al mercado el último modelo
Pomo de la puerta	Reparadores profesionales y usuarios finales	Al menos 7 años después de que se haya lanzado al mercado el último modelo
Bisagras de las puertas	Reparadores profesionales y usuarios finales	Al menos 7 años después de que se haya lanzado al mercado el último modelo
Bandejas	Reparadores profesionales y usuarios finales	Al menos 7 años después de que se haya lanzado al mercado el último modelo
Cestas	Reparadores profesionales y usuarios finales	Al menos 7 años después de que se haya lanzado al mercado el último modelo
Juntas de puertas	Reparadores profesionales y usuarios finales	Al menos 10 años después de que se haya lanzado al mercado el último modelo

## Estimado cliente

1. Si desea devolver o sustituir el producto, póngase en contacto con el establecimiento donde lo compró.  
(Recuerde traer la factura de compra)
2. Si el producto se avería y necesita reparación, póngase en contacto con el proveedor de servicios pos-venta.

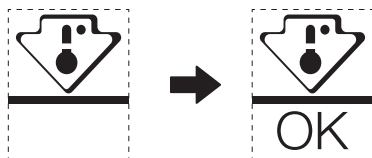
## ATENCIÓN

La información sobre el modelo incluida en la base de datos de productos, así como el identificador del modelo, se pueden obtener por un enlace al que se accede escaneando un código QR, de haberlo, en la etiqueta de eficiencia energética del producto. Para obtener más información sobre la eficiencia energética del aparato, visite la página web <https://ec.europa.eu> y búsquelo usando el nombre del modelo. El nombre del modelo puede encontrarse en la etiqueta identificativa del aparato.

## Zona más fría del frigorífico

### OPCIONAL: Indicador OK de temperatura

- El indicador OK de temperatura puede usarse para determinar temperaturas inferiores a +4°C. Gradualmente, reduzca la temperatura si el signo no «OK».



- Para garantizar la temperatura de esta zona, no cambie el estante de posición. En frigoríficos de aire forzado, (equipados con un ventilador o modelos No Frost), el símbolo de la zona más fría no se representa porque la temperatura en el interior es homogénea.

### Configuración del indicador de temperatura

- Para facilitar la correcta configuración del frigorífico, este está equipado con un indicador de temperatura que controlará la temperatura media en la zona más fría.
- **ADVERTENCIA:** este indicador tiene como finalidad funcionar solo con su frigorífico; no lo use en ningún otro frigorífico (de hecho, la zona más fría no es la misma) o para cualquier otro uso.

ES

### Comprobación de la temperatura en la zona más fría

- Con el indicador de temperatura, puede comprobar regularmente que la temperatura de la zona más fría es correcta. De hecho, la temperatura interna del frigorífico depende de varios factores como la temperatura ambiente de la sala, la cantidad de alimentos guardados y la frecuencia de la apertura de la puerta. Tenga en cuenta estos factores cuando configure el aparato.
- Cuando el indicador muestra «OK», el termostato está bien ajustado y la temperatura interna es correcta.
- Si el indicador de temperatura aparece BLANCO, la temperatura es demasiado alta; en este caso, suba la configuración del control de temperatura del frigorífico y espere 12 horas antes de llevar a cabo una nueva inspección visual del indicador. Cuando se introduce comida fresca o se deja la puerta abierta, es posible que el indicador de temperatura aparezca BLANCO al poco tiempo.

## NOTA DE AGRADECIMENTO

Muito obrigado por escolher Midea! Antes de utilizar o seu novo produto Midea, leia este manual atentamente para garantir que sabe utilizar as funcionalidades e funções disponibilizadas pelo seu novo aparelho em segurança.

# CONTEÚDO

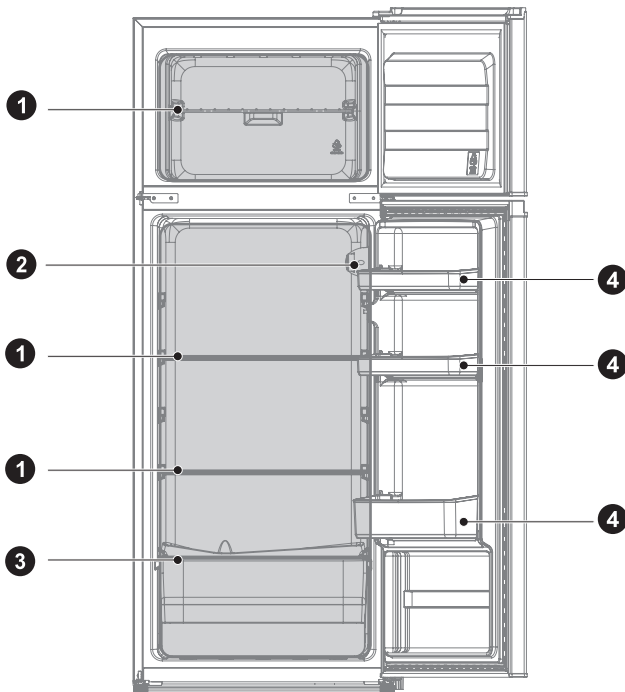
NOTA DE AGRADECIMENTO	01
ESPECIFICAÇÕES	02
APRESENTAÇÃO DO PRODUTO	03
INSTALAÇÃO DO PRODUTO	04
INSTRUÇÕES DE OPERAÇÃO	11
LIMPEZA E MANUTENÇÃO	14
RESOLUÇÃO DE PROBLEMAS	16
DOC E CERTIFICAÇÕES	18
APÊNDICE	19

# ESPECIFICAÇÕES

<b>Modelo do produto</b>	<b>MDRT294FGE01/MDRT294FGE50 /MERT210FGE01/MERT210FGE50</b>
Volume do compartimento de armazenamento de alimentos frescos	163 L
Volume do armazenamento de alimentos congelados	41 L
Tipo de Descongelação	Descongelação manual
Tempo de Aumento de Temperatura	8 h
Capacidade de Congelação	2,0 kg/24h
Tensão Nominal	220-240 V-
Corrente Nominal	0,5 A
Dimensão Total (A x L x P)	1430x550x550 mm

# APRESENTAÇÃO DO PRODUTO

## Nome dos componentes



1 Prateleira

2 Termostato

3 Gaveta para vegetais

4 Bandeja da porta

### ● ATENÇÃO

A imagem acima é apenas para referência. A configuração real dependerá do produto físico ou da declaração do distribuidor.



# INSTALAÇÃO DO PRODUTO

## Instruções de instalação

### Para aparelhos de refrigeração com classe climática

- Dependendo da classe climática, este aparelho frigorífico destina-se a ser utilizado nos intervalos de temperatura ambiente, tal como especificado na tabela seguinte.
- A classe climática pode ser encontrada na placa de classificação. O produto pode não funcionar corretamente a temperaturas fora do intervalo especificado.
- Pode encontrar a classe climática na etiqueta do produto.

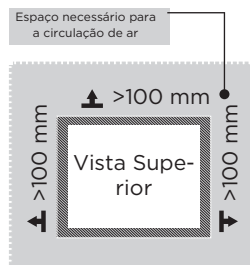
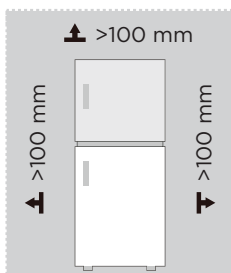
### Intervalo efetivo de temperaturas

- O produto é concebido para funcionar normalmente no intervalo de temperaturas especificado pela sua classificação de classe.

Classe	Símbolo	Limite de temperatura ambiente °C	
		IEC 62552 (ISO 15502)	ISO 8561
Temperatura alargada	SN	+10 a +32	+10 a +32
Temperado	N	+16 a +32	+16 a +32
Subtropical	ST	+16 a +38	+18 a +38
Tropical	T	+16 a +43	+18 a +43

### Dimensões e espaços

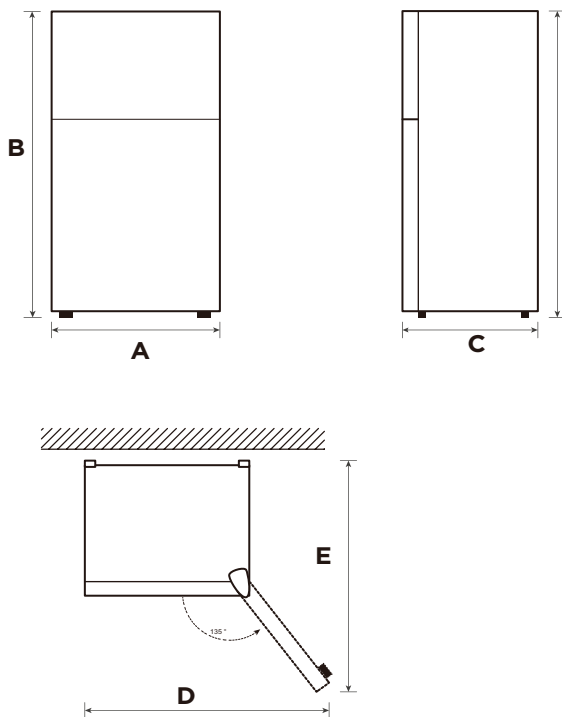
- Uma distância demasiado pequena de itens adjacentes pode resultar na degradação da capacidade de congelação e no aumento dos custos de eletricidade. Permita mais de 100 mm de espaço livre de cada parede adjacente ao instalar o aparelho.



### ATENÇÃO

A imagem acima é apenas para referência. A configuração real dependerá do produto físico ou da declaração do distribuidor.

Diagrama do espaço necessário (com a porta aberta e com a porta fechada)



PT

Largura	Altura total	Profundidade	Largura com portas abertas 135°	Profundidade com portas abertas 135°
A	B	C	D	E
550	1430	550	902	1052

Observação: Todas as dimensões encontram-se em mm



## Pé de nivelamento

Para evitar vibração, a unidade deve estar nivelada.

Se necessário, ajuste os parafusos de nivelamento para compensar o chão desnivelado.

A frente deve estar ligeiramente mais alta que a traseira para ajudar no fechamento da porta.

Os parafusos de nivelamento podem ser rodados facilmente inclinando ligeiramente a unidade.

Rode os parafusos de nivelamento no sentido contrário ao dos ponteiros do relógio  para elevar a unidade e no sentido dos ponteiros do relógio  para os baixar.

## Mover o aparelho

1. Retire todos os alimentos do interior do aparelho.
2. Puxe a ficha de alimentação, introduza-a e fixe-a no gancho da ficha de alimentação na parte de trás ou em cima do aparelho.
3. Cole as peças, tais como prateleiras e o puxador da porta, com fita adesiva para evitar que caiam enquanto se desloca o aparelho.
4. Desloque o aparelho com mais de duas pessoas com cuidado. Ao transportar o aparelho numa longa distância, mantenha o aparelho na vertical.
5. Após a instalação do aparelho, ligue a ficha de alimentação a uma tomada para ligar o aparelho.

### ATENÇÃO

A imagem acima é apenas para referência. A configuração real dependerá do produto físico ou da declaração do distribuidor.

## Alteração de porta direita-esquerda(opcional)

Com base no local onde planeia utilizar o seu frigorífico, poderá achar mais conveniente inverter a posição da porta.

### CUIDADO

CUIDADO: Para evitar ferimentos a si próprio ou aos seus bens, recomendamos que alguém o ajude durante o processo de inversão de portas.

Preparar para inverter a posição da porta

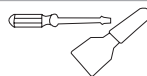
Vai precisar de: Uma chave de parafusos padrão, uma chave de parafusos Phillips, e a chave Allen incluída.

- Certifique-se de que o seu frigorífico está desligado da tomada e vazio.
- Tenha alguém disponível para o assistir no processo.
- Guarde todas as peças que remover para as reutilizar mais tarde.

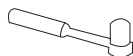
### Ferramentas necessárias para a inversão da porta:



Chave de fendas de estrela



Espátula  
Chave de fendas fina



Chave de catraca de 5/16"

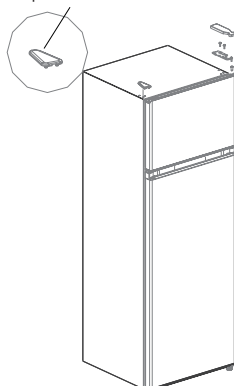


Fita adesiva

### Passo

1. Desligue o frigorífico e remova todos os objetos das bandejas da porta.
2. Retire a tampa da dobradiça superior, a dobradiça superior, o tubo da manga da porta do congelador e a tampa do orifício do lado oposto.

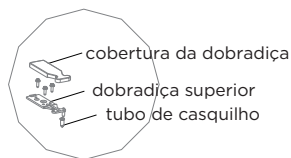
tampa do orifício



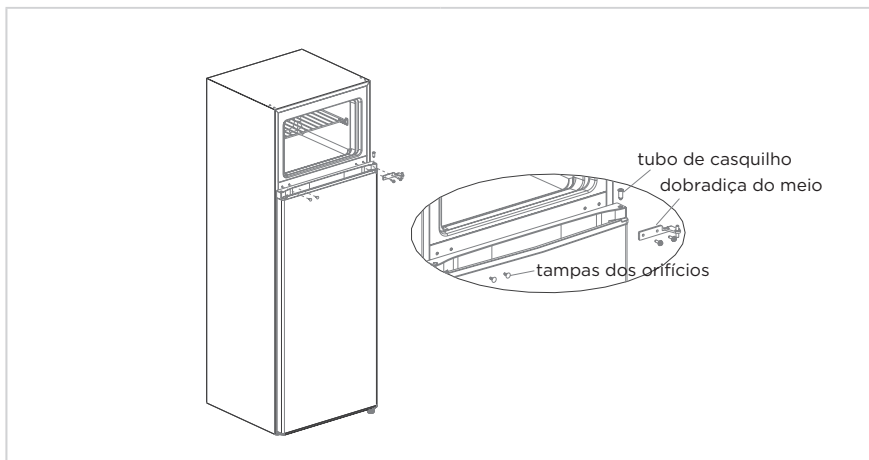
cobertura da dobradiça

dobradiça superior

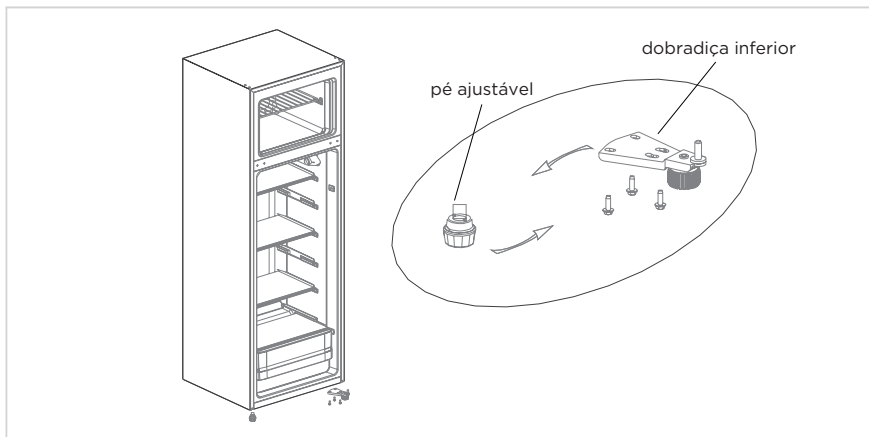
tubo de casquilho



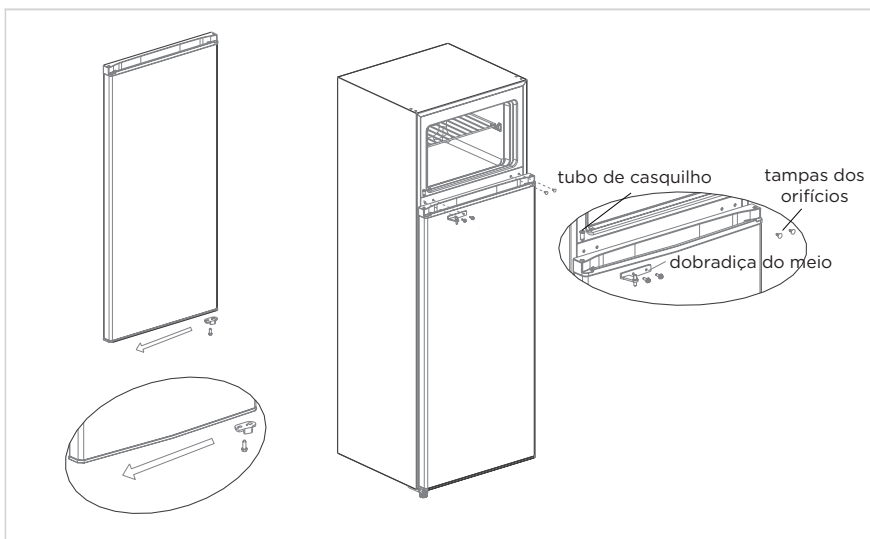
3. Retire a porta da câmara de congelação, a dobradiça central, o tubo da manga da porta do congelador e as tampas dos orifícios do lado oposto.



4. Retire a porta do frigorífico, retire a dobradiça inferior e o pé ajustável do lado oposto.
5. Monte o conjunto da dobradiça inferior e pé ajustável no lado oposto.

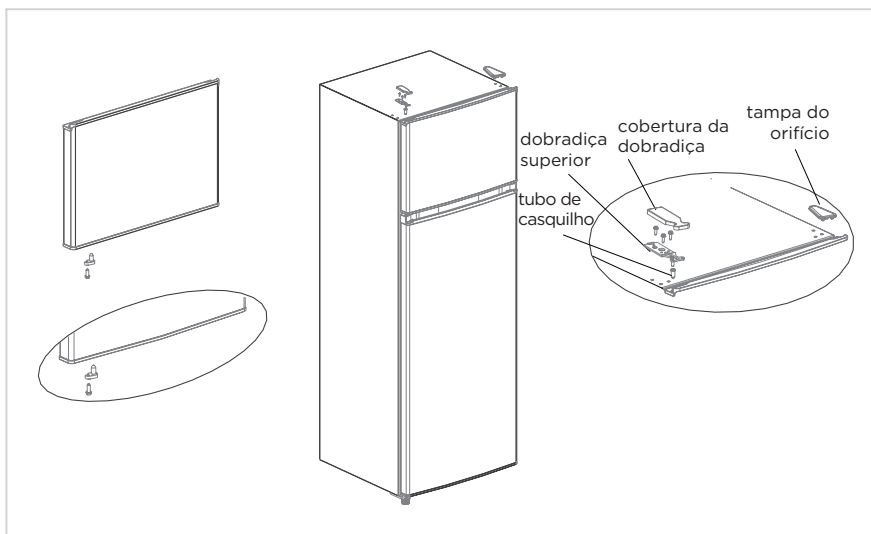


6. Monte o batente da porta frigorífica do lado oposto.
7. Coloque a porta de refrigeração na dobradiça inferior, monte a dobradiça central, as tampas dos furos e o tubo da manga da porta de refrigeração.



8. Retire o batente da porta do congelador do pacote de acessórios e monte-o no outro lado da porta do congelador.
9. Retire a dobradiça superior direita, a tampa da dobradiça superior direita da embalagem de acessórios; coloque a porta do congelador na dobradiça central, insira o tubo da manga no orifício da dobradiça superior esquerda da porta, monte a dobradiça superior e a tampa da dobradiça superior, depois fixe a tampa do orifício do lado oposto do frigorífico.

PT



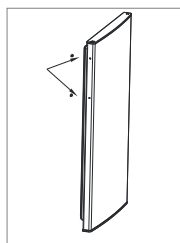
### ● ATENÇÃO

A imagem acima é apenas para referência. A configuração real dependerá do produto físico ou da declaração do distribuidor.

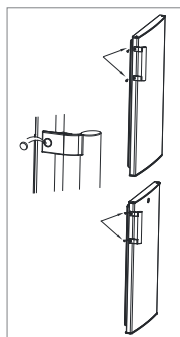
## Instalar o puxador da porta (opcional)

Nota: As figuras no manual do utilizador são apenas para referência. O produto real poderá ser ligeiramente diferente. O frigorífico deve estar desligado da fonte de alimentação elétrica antes de tentar instalar acessórios.

Passo 1: retirar os dois pinos de encaixar da porta (Lado da porta aberta)



Passo 2: Instale a pega da porta na porta e fixe-a com parafusos



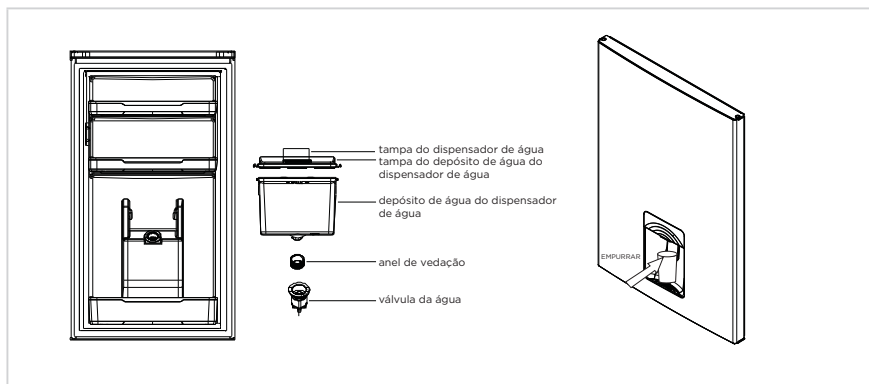
Passo 3: Coloque as tampas dos parafusos do puxador nos orifícios dos parafusos

\* A imagem acima é apenas para referência. A configuração real dependerá do produto físico ou da declaração do distribuidor.

PT

## Utilização do dispensador de água (opcional)

1. Primeiro, abra a tampa da entrada de água, Encher com água potável até "MAX", indicando a quantidade máxima de água.
2. Use o copo para empurrar o gatilho para dentro, a água irá sair, quando o gatilho voltar à posição original, a água para.
3. O dispensador de água só pode ser utilizado para água potável limpa, não apropriada para bebidas ou sumos de fruta.



# INSTRUÇÕES DE OPERAÇÃO

## Ligar o aparelho

Definição "Off": unidade desligada

Definição "Min": temperatura menos fria

Definição "Med" ou "MID": operação normal (adequada à maioria das situações)

Definição "Max": temperatura mais fria

- Durante temperaturas ambiente elevadas, por exemplo, em dias quentes de verão. Pode ser necessário regular o termostato para a definição mais fria (posição "Max"). Isto pode levar o compressor a funcionar continuamente para manter a temperatura baixa no frigorífico.
- Da primeira vez que instalar o seu frigorífico, ajuste o botão do termostato para "Med". Permita que o seu frigorífico arrefeça completamente, antes de adicionar alimentos. É preferível aguardar 24 horas antes de adicionar alimentos. O botão do termostato controla a temperatura. Quando o botão de controlo do termostato é regulado para OFF, o frigorífico não funciona.

## Conselhos para a conservação de alimentos no aparelho

As carnes/os peixe cozinhados devem ser sempre guardados numa prateleira acima de carne/peixe cru para evitar a transferência de bactérias. Guarde carne/peixe cru num recipiente suficientemente grande para recolher os líquidos cobrindo-o devidamente. Coloque o recipiente na prateleira mais baixa.

- Deixe espaço à volta dos alimentos para permitir a circulação de ar no interior do aparelho. Confirme se todas as partes do aparelho se mantêm frias.
- Para evitar transferir sabores e secar os alimentos, embale-os ou cubra-os separadamente. Fruta e legumes não precisam de ser embalados.
- Deixe sempre arrefecer os alimentos pré-cozinhados antes de os colocar no aparelho. Isto ajudará a manter a temperatura interna do aparelho.
- Para evitar a fuga de ar frio do aparelho, tente limitar o número de vezes que abre a porta. Recomendamos abrir apenas a porta quando precisa de colocar ou retirar alimentos.

## Substituir a lâmpada

A substituição da lâmpada deve ser realizada por profissionais.



Ordem	TIPO dos compartimentos	Temperatura de armazenamento [°C]	Alimentos apropriados
1	Frigorífico	+2 - +8	Ovos, alimentos cozinhados, alimentos embalados, fruta, vegetais, laticínios, bolos, bebidas e outros alimentos não devem ser congelados.
2	(***)*-Congelador	≤-18	Produtos do mar (peixe, camarão, marisco), produtos aquáticos de água doce e produtos de carne (recomendados para 3 meses, quanto maior o tempo de armazenamento, pior o sabor e a nutrição), adequado para alimentos frescos congelados.
3	***-Congelador	≤-18	Produtos do mar (peixe, camarão, marisco), produtos aquáticos de água doce e produtos de carne (recomendados para 3 meses, quanto maior o tempo de armazenamento, pior o sabor e a nutrição), adequado para alimentos frescos congelados.
4	** -Congelador	≤-12	Produtos do mar (peixe, camarão, marisco), produtos aquáticos de água doce e produtos de carne (recomendados para 3 meses, quanto maior o tempo de armazenamento, pior o sabor e a nutrição), adequado para alimentos frescos congelados.
5	*-Congelador	≤-6	Produtos do mar (peixe, camarão, marisco), produtos aquáticos de água doce e produtos de carne (recomendados para 3 meses, quanto maior o tempo de armazenamento, pior o sabor e a nutrição), adequado para alimentos frescos congelados.
6	0 estrelas	-6 - 0	Carne fresca de porco, vaca, peixe, frango, alguns alimentos processados embalados, etc. (recomenda-se comer no mesmo dia, de preferência não mais do que 3 dias). Alimentos processados parcialmente embalados (alimentos que não podem ser congelados).

7	Refrigeração	-2 - +3	Carne de porco, vaca, galinha, peixe de água doce congelados/frescos, etc. (7 dias abaixo de 0 °C e acima de 0 °C recomendados para consumo no mesmo dia ou dentro de não mais de 2 dias). Peixe e marisco (abaixo de 0 °C durante 15 dias, não recomendado a armazenamento acima de 0 °C)
8	Alimentos frescos	0 - +4	Carne fresca de porco, vaca, peixe, frango, alimentos cozinhados, etc. (recomenda-se comer no mesmo dia, de preferência não mais do que 3 dias)
9	Vinho	+5 - +20	Vinho tinto, vinho branco, vinho espumante, etc.

### ATENÇÃO

guarde os diferentes alimentos de acordo com os compartimentos ou temperatura de armazenamento dos produtos adquiridos.

# LIMPEZA E MANUTENÇÃO

## Descongelar

- Desligar o frigorífico.
- Retire os alimentos do frigorífico e posicione-os corretamente, para evitar que os alimentos derretam.
- Limpar o tubo de drenagem (utilizar materiais macios para evitar danos no revestimento), preparar os recipientes de água para descongelamento. (tenha em atenção a limpeza do tabuleiro de drenagem de água do compartimento do compressor, evitando o transbordamento para o chão).
- Também pode utilizar a quantidade adequada de água quente para acelerar o descongelamento, utilizando uma toalha seca para secar a água após o descongelamento.
- Também pode utilizar a quantidade adequada de água quente para acelerar o descongelamento, utilizando uma toalha seca para secar a água após o descongelamento.
- Após descongelamento, voltar a colocar os alimentos no armário e ligar o frigorífico.

## Pare de usar

### Falha de energia:

Em caso de falha de energia, mesmo no verão, os alimentos dentro do aparelho podem ser mantidos por várias horas; durante uma falha de energia, o número de vezes que a porta é aberta deve ser reduzido e não devem ser postos mais alimentos frescos no aparelho.

### Não utilização prolongada:

O aparelho deve ser desligado da tomada e depois limpo; em seguida, as portas são deixadas abertas para evitar odores.

### Mover:

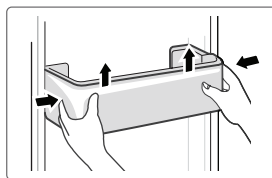
divisórias, suporte de legumes, gavetas da câmara de congelação e etc. com fita adesiva, e apertar os pés de nivelamento; fechar as portas e vedá-las com fita adesiva. Ao mover, o aparelho não deve ser virado ao contrário, deitado horizontalmente ou sofrer vibrações; a inclinação durante o deslocamento não deve ser superior a 45°.

### ATENÇÃO

O aparelho deve funcionar ininterruptamente uma vez iniciado. Regra geral, a operação do aparelho não deve ser interrompida, caso contrário, a sua vida útil pode ser prejudicada. Os alimentos podem ser conservados durante algumas horas, mesmo no verão, em caso de falha de energia; recomenda-se reduzir a frequência de abertura da porta.

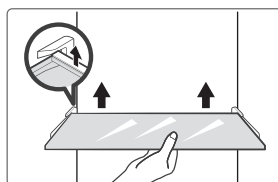
## Limpar o tabuleiro da porta

- De acordo com a seta de direção na figura abaixo, usar as duas mãos para apertar o tabuleiro e empurrá-lo para cima para a retirar.
- Depois de lavar o tabuleiro que foi retirado, pode ajustar a altura de instalação de acordo com a sua exigência.



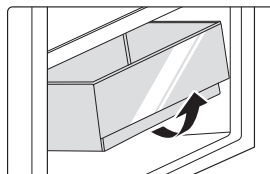
## Limpar a prateleiras em vidro

- Como a parte mais interna do forro do frigorífico, onde entra em contacto com as prateleiras, tem um batente, deve levantar as prateleiras para as poder retirar.
- Ajustar ou limpar as prateleiras de acordo com a sua exigência.



## Limpar a gaveta dos frescos

1. Remova o conteúdo da gaveta. Segurar a pega da gaveta dos frescos e puxá-la completamente para fora até parar.
2. Levantar a gaveta dos frescos e retirá-la puxando-a para fora.



## ● ATENÇÃO

Recomenda-se para a limpeza panos macios ou uma esponja embebida em água e detergentes neutros não corrosivos. O congelador deve ser finalmente limpo com água limpa e um pano seco. Abra a porta para secagem natural antes de se ligar a corrente. Não utilize escovas duras, palha de aço, escovas de arame, produtos abrasivos (tais como pasta de dentes), solventes orgânicos (tais como álcool, acetona, óleo de banana, etc.), água a ferver ou produtos ácidos ou alcalinos para limpar o frigorífico, uma vez que pode danificar a superfície e o interior do mesmo.

# RESOLUÇÃO DE PROBLEMAS

Podem ser solucionados pelo utilizador os seguintes problemas simples. Por favor, contacte o departamento de serviço pós-venda se os problemas não forem resolvidos.

Problema	Motivo possível
Falha de funcionamento	• Verifique se o aparelho está ligado à corrente ou se a ficha está bem ligada
	• Verifique se a tensão é demasiado baixa
	• Verifique se há uma falha de energia ou se alguns circuitos dispararam
Odores	• Os alimentos com odor devem ser bem embrulhados
	• Verifique se há comida estragada
	• Limpe o interior do frigorífico
Funcionamento prolongado do compressor	• O funcionamento prolongado do compressor é normal no verão quando a temperatura ambiente é alta
	• Não é aconselhável colocar muitos alimentos no aparelho ao mesmo tempo
	• Os alimentos devem arrefecer antes de serem colocados no aparelho
	• As portas são abertas com demasiada frequência
A luz não acende	• Verifique se o frigorífico está ligado à rede elétrica e se a luz de iluminação está danificada
	• A lâmpada deve ser substituída por um especialista
A porta não fecha bem	• A porta está presa por embalagens de alimentos. Foram colocados demasiados alimentos
	• O frigorífico está inclinado.
Ruídos altos	• Verifique se o piso está nivelado e se o frigorífico está colocado de forma estável
	• Verifique se os acessórios estão colocados nos locais apropriados

Problema	Motivo possível
A junta de vedação da porta não está a vedar	<ul style="list-style-type: none"> <li>• Remova matérias estranhas do vedante da porta</li> <li>• Aqueça a vedação da porta e depois arrefeça-a para restauração (utilize um secador elétrico ou utilize uma toalha quente para aquecimento)</li> </ul>
O depósito de água transborda	<ul style="list-style-type: none"> <li>• Há demasiados alimentos na câmara ou os alimentos armazenados contêm muita água, resultando numa descongelação profusa</li> <li>• As portas não estão bem fechadas, resultando em gelo, devido à entrada de ar e ao aumento de água derivado da descongelação</li> </ul>
Caixa do aparelho	<ul style="list-style-type: none"> <li>• A dissipação de calor do condensador incorporado através da caixa, que é normal quando a caixa se torna quente devido à alta temperatura ambiente, ao armazenamento de demasiados alimentos ou ao encerramento do compressor, proporcionam uma ventilação adequada para facilitar a dissipação de calor</li> </ul>
Condensação na superfície	<ul style="list-style-type: none"> <li>• A condensação na superfície exterior e nos vedantes das portas do frigorífico é normal quando a humidade ambiente é demasiado elevada. Simplesmente limpe a condensação com uma toalha limpa.</li> </ul>
Ruído anormal	<ul style="list-style-type: none"> <li>• Zumbido: O compressor pode produzir ruídos durante o funcionamento e os ruídos são altos, principalmente no arranque ou paragem. Isto é normal.</li> <li>• Crepitação: O refrigerante a circular dentro do aparelho pode crepitar, o que é normal.</li> </ul>

# DOC E CERTIFICAÇÕES

## Declaração de conformidade

Pelo presente confirmamos que os seguintes nomes de modelos de clientes e nomes de modelos Midea coincidem entre si respetivamente.

Marca	Modelo Midea	Modelo de comercialização	Modelo de fábrica
Midea	HD-273FN	MDRT294FGE01	CE-BCD210CM-JQ
Midea	HD-273FN	MDRT294FGE50	CE-BCD210CM-JQ
Midea	HD-273FN	MERT210FGE01	CE-BCD210CM-JQ
Midea	HD-273FN	MERT210FGE50	CE-BCD210CM-JQ

Nome do fabricante: Guangzhou Midea Hualing Refrigerator Co., Ltd.  
Morada do fabricante: No. 5 Xinguangsi Road, Qianfeng Zhujiang, Nansha District, Guangzhou City, Guangdong Province, P.R.China

PT

Nós, Guangzhou Midea Hualing Refrigerator Co., Ltd, declaramos por este meio que os produtos acima mencionados estão em conformidade com os regulamentos e normas atualmente válidos acima mencionados.

# APÊNDICE

## Especial para a nova norma europeia

As peças encomendadas na tabela seguinte podem ser adquiridas no canal do fornecedor de serviços

Peça encomendada	Fornecida por	Tempo mínimo necessário para o fornecimento
Termóstatos	Pessoal de manutenção profissional	Pelo menos 7 anos após o último modelo ser lançado no mercado
Sensor de temperatura	Pessoal de manutenção profissional	Pelo menos 7 anos após o último modelo ser lançado no mercado
Placa de circuito impresso	Pessoal de manutenção profissional	Pelo menos 7 anos após o último modelo ser lançado no mercado
Fonte de luz	Pessoal de manutenção profissional	Pelo menos 7 anos após o último modelo ser lançado no mercado
Pega da porta	Reparadores profissionais e utilizadores finais	Pelo menos 7 anos após o último modelo ser lançado no mercado
Dobradiças da porta	Reparadores profissionais e utilizadores finais	Pelo menos 7 anos após o último modelo ser lançado no mercado
Tabuleiros	Reparadores profissionais e utilizadores finais	Pelo menos 7 anos após o último modelo ser lançado no mercado
Cestos	Reparadores profissionais e utilizadores finais	Pelo menos 7 anos após o último modelo ser lançado no mercado
Juntas da porta	Reparadores profissionais e utilizadores finais	Pelo menos 10 anos após o último modelo ser lançado no mercado

## Caro(a) cliente

1. Se pretender devolver ou substituir o produto, deve contactar o estabelecimento comercial onde o mesmo foi comprado.  
(Lembre-se de trazer a fatura de compra)
2. Se o seu produto não avariar e necessitar de reparação, deve contactar o prestador de serviço pós-venda.

### ATENÇÃO

A informação do modelo na base de dados do produto, bem como o identificador do modelo, podem ser obtidos através de um código QR, se existir, no rótulo de eficiência energética do produto.

Para mais informações sobre a eficiência energética do aparelho, visite <https://ec.europa.eu> e pesquise usando o nome do modelo.

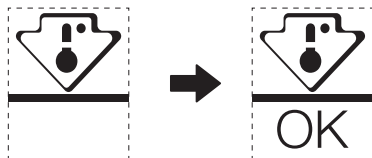
O nome do modelo pode ser encontrado na etiqueta de classificação do aparelho.



## Zona mais fria do frigorífico

### OPCIONAL: Indicador de temperatura OK

- O indicador de temperatura OK pode ser utilizado para determinar temperaturas inferiores a +4°C. Reduza gradualmente a temperatura se o sinal não indicar "OK".



- Para garantir a temperatura nesta área, não altere o posicionamento da prateleira. Frigoríficos de ar forçado (equipados com um ventilador ou modelos No Frost), o símbolo da zona mais fria não é representado porque a temperatura no interior é homogénea.

### Definição do indicador de temperatura

- Para ajudar a configurar corretamente o seu frigorífico, este está equipado com um indicador de temperatura que monitoriza a temperatura média na zona mais fria.
- AVISO: Este indicador destina-se a funcionar apenas com o seu frigorífico, não o utilize noutro frigorífico (de facto, a zona mais fria não é a mesma), ou para qualquer outra utilização.

PT

### Verificar a temperatura na zona mais fria

- Com o indicador de temperatura, pode verificar regularmente se a temperatura da zona mais fria está correta. De facto, a temperatura interna do frigorífico depende de vários fatores tais como a temperatura ambiente da divisão, a quantidade de alimentos armazenados e a frequência de abertura das portas. Tenha estes fatores em consideração ao configurar o aparelho.
- Quando o indicador mostrar «OK», significa que o termóstato está bem regulado e a temperatura interna está correta.
- Se o indicador de temperatura ficar BRANCO, significa que a temperatura está demasiado alta; neste caso, aumente a definição do controlo de temperatura do frigorífico e aguarde 12 horas antes de voltar a inspecionar visualmente o indicador. Quando tiverem sido colocados alimentos frescos ou a porta tiver sido deixada aberta, é possível que o indicador de temperatura fique BRANCO após algum tempo.

## **LIST Z PODZIĘKOWANIEM**

Dziękujemy za wybranie produktu Midea! Przed użyciem nowego produktu firmy Midea dokładnie zapoznaj się z niniejszą instrukcją, aby mieć pewność, że wiesz, jak bezpiecznie korzystać z funkcji oferowanych przez nowe urządzenie.

# SPIS TREŚCI

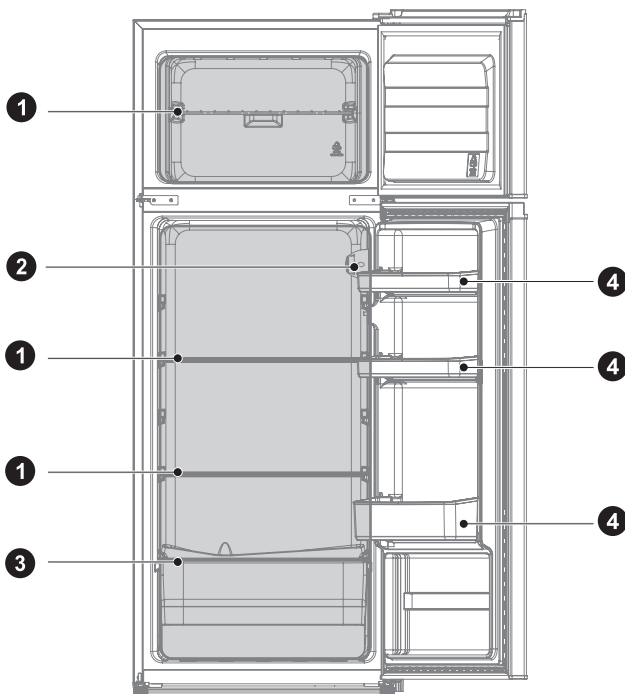
<b>LIST Z PODZIĘKOWANIEM</b> -----	01
<b>DANE TECHNICZNE</b> -----	02
<b>PRZEGLĄD PRODUKTU</b> -----	03
<b>MONTAŻ PRODUKTU</b> -----	04
<b>INSTRUKCJE OBSŁUGI</b> -----	11
<b>CZYSZCZENIE I KONSERWACJA</b> -----	13
<b>WYKRYWANIE USTEREK I ICH USUWANIE</b> -----	15
<b>DOKUMENTY I CERTYFIKATY</b> -----	17
<b>DODATEK</b> -----	18

# DANE TECHNICZNE

<b>Model produktu</b>	<b>MDRT294FGE01/MDRT294FGE50/ MERT210FGE01/MERT210FGE50</b>
Pojemność komory na świeżą żywność	163 L
Pojemność komory na mrożonki	41 L
Procedura rozmrażania	Ręczne rozmrażanie
Czas wzrostu temperatury	8 h
Zdolność zamrażania	2,0 kg/24h
Napięcie znamionowe	220-240 V~
Natężenie znamionowe	0,5 A
Wymiary ogólne (W × S × G)	1430x550x550 mm

# PRZEGLĄD PRODUKTU

## Nazwy elementów



- 1 Półka
- 2 Termostat

- 3 Pojemnik na owoce i warzywa
- 4 Balkonik na drzwi

### ● UWAGA

Powyższa ilustracja ma charakter poglądowy. Rzeczywista konfiguracja zależy od modelu bądź zamówienia dystrybutora

# MONTAŻ PRODUKTU

## Instrukcje montażu

### Dla urządzeń chłodniczych z oznaczoną klasą klimatyczną

- W zależności od klasy klimatycznej niniejsze urządzenie chłodnicze jest przeznaczone do użytku w zakresie temperatur otoczenia podanych w poniższej tabeli.
- Klasę klimatyczną można znaleźć na tabliczce znamionowej. Produkt może nie działać prawidłowo w temperaturach spoza określonego zakresu.
- Klasę klimatyczną można znaleźć na etykiecie produktu.

### Zakres temperatury otoczenia

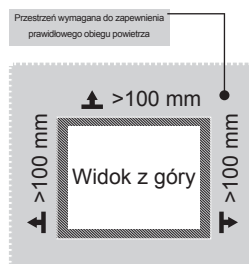
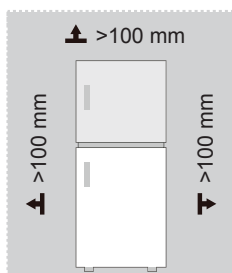
- Produkt został zaprojektowany do pracy w zakresie temperatur określonym przez jej klasę znamionową.

Klasa	Symbol	Zakres temperatury otoczenia (°C)	
		IEC 62552 (ISO 15502)	ISO 8561
Rozszerzona umiarkowana	SN	+10 do +32°C	+10 do +32°C
Umiarkowana	N	+16 do +32°C	+16 do +32°C
Subtropikalna	ST	+16 do +38°C	+18 do +38°C
Tropikalna	T	+16 do +43°C	+18 do +43°C

PL

### Wymiary i odstępy

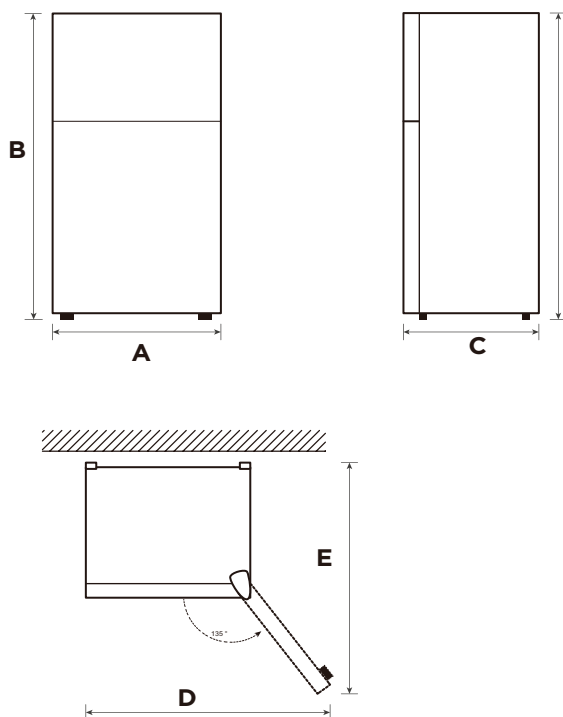
- Zachowanie zbyt małych odstępów od mebli, ścian lub innych urządzeń może spowodować obniżenie wydajności zamrażarki i wzrost rachunków za energię. Montując urządzenie, należy zachować minimalny odstęp 100 mm od ścian lub mebli.



### UWAGA

Powyższa ilustracja ma charakter poglądowy. Rzeczywista konfiguracja zależy od modelu bądź zamówienia dystrybutora

Schemat ilości wymaganego miejsca (zarówno z zamkniętymi, jak i otwartymi drzwiami)



PL

Szerokość	Ogólna wysokość	Głębokość	Szerokość, drzwi otwarte pod kątem 135°	Głębokość, drzwi otwarte pod kątem 135°
A	B	C	D	E
550	1430	550	902	1052

Uwaga: Wszystkie podane wymiary są wyrażone w mm.



## Nóżki poziomujące

Aby zapobiec wibracjom, należy wypoziomować urządzenie.

W razie potrzeby wyregulować śruby poziomujące, aby skompensować nierówności podłoża.

Przód powinien być lekko uniesiony względem tyłu, aby zamykanie drzwi było łatwiejsze.

Aby ułatwić sobie przekręcanie śrub poziomujących, należy lekko pochylić urządzenie.

Obracać śruby poziomujące w lewo , aby podnieść urządzenie lub w prawo , aby urządzenie obniżyć.

## Przemieszczanie urządzenia

1. Wyjąć wszystkie produkty z urządzenia.
2. Odłączyć wtyczkę zasilającą urządzenia od gniazda, umieścić i zablokować ją w uchwycie na wtyczkę z tyłu urządzenia lub na jego wierzchu.
3. Przymocować za pomocą taśmy samoprzylepnej elementy, takie jak półki i rączka drzwiczek, aby zapobiec ich wypadnięciu podczas przemieszczania urządzenia.
4. Urządzenie powinny przemieszczać dwie osoby, zachowując najwyższą ostrożność. Gdy urządzenie jest przemieszczane na dużą odległość, należy utrzymywać je w położeniu pionowym.
5. Po instalacji na miejscu podłączyć wtyczkę zasilającą do gniazda, aby włączyć urządzenie.

### UWAGA

Powyższa ilustracja ma charakter poglądowy. Rzeczywista konfiguracja zależy od modelu bądź zamówienia dystrybutora

## Zmiana kierunku otwierania drzwi(opcjonalne)

W zależności od miejsca, gdzie lodówka będzie ustawiona, może zająć konieczność zmiany kierunku otwierania drzwi.

### PRZESTROGA

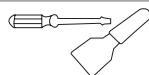
PRZESTROGA: Aby uniknąć obrażeń ciała lub szkód materialnych, zalecamy zorganizowanie drugiej osoby do pomocy w procedurze zmiany kierunku otwierania drzwi.

Przygotowanie do zmiany kierunku otwierania drzwi

Przygotować: Standardowy wkrętak, wkrętak krzyżakowy oraz dołączony klucz imbusowy.

- Upewnić się, że lodówka jest odłączona i że jest pusta.
- Skorzystać z pomocy drugiej osoby.
- Zachować wszystkie demontowane elementy, żeby można było użyć ich później.

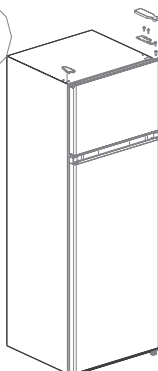
### Narzędzia potrzebne do przełożenia drzwi:



### Krok

1. Wyłączyć lodówkę i wyjąć wszystkie przedmioty z balkoników na drzwiach.
2. Zdjąć maskownicę górnego zawiasu, a następnie zdemontować górny zawias, tulejkę drzwi zamrażarki i zaślepkę otworów po drugiej stronie.

zaślepka otworu



maskownica zawiasów

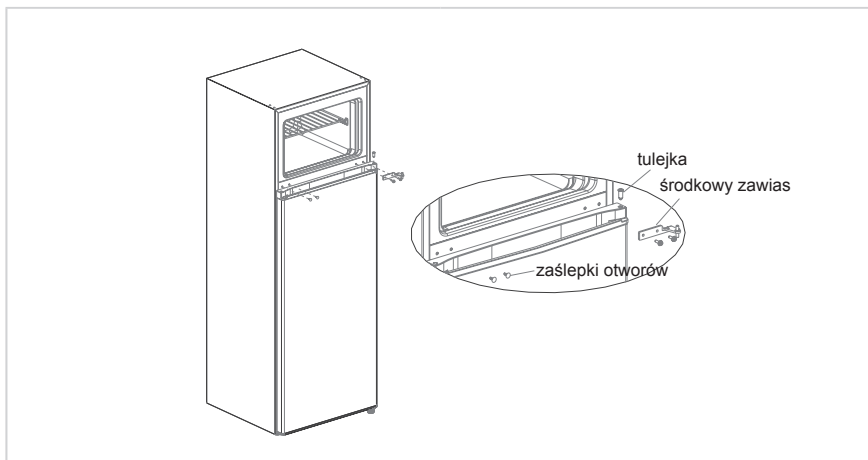
górný zawias

tulejka

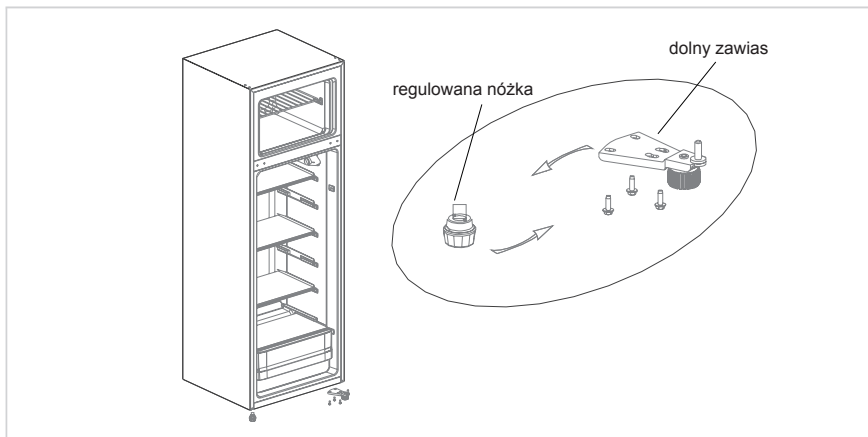




3. Zdjąć drzwi komory zamrażarki, a następnie zdemontować środkowy zawias, tulejkę drzwi lodówki i zaślepkę otworów po drugiej stronie.

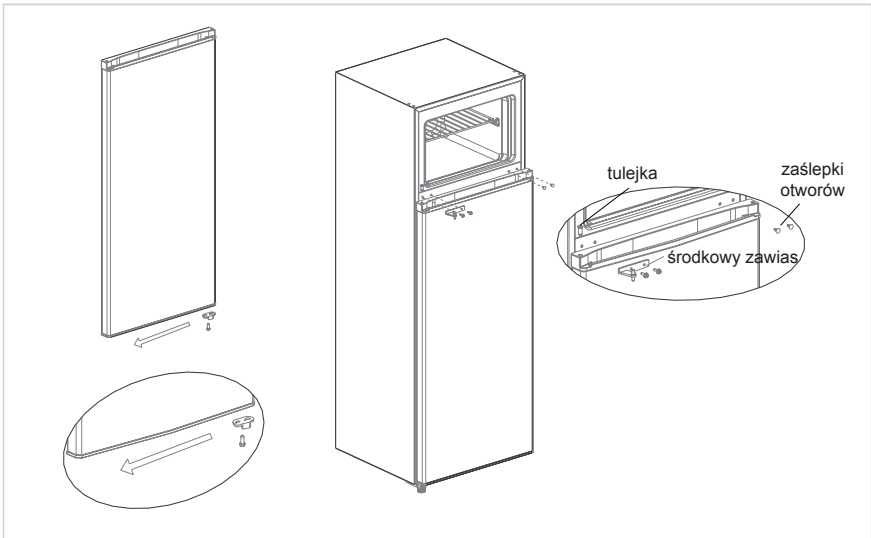


4. Zdjąć drzwi lodówki, a następnie zdemontować dolny zawias i regulowaną nóżkę po drugiej stronie.
5. Zamontować moduł dolnego zawiasu i regulowaną nóżkę po drugiej stronie.

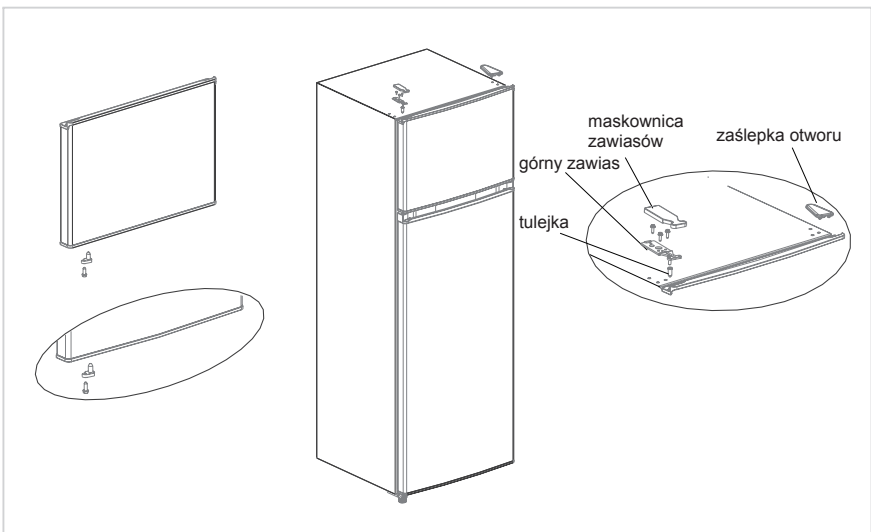


6. Zamontować ogranicznik drzwi lodówki po drugiej stronie.
7. Założyć drzwi lodówki na dolny zawias, a następnie zamontować środkowy zawias, zaślepkę otworów i tulejkę drzwi lodówki.

PL



8. Wyjąć ogranicznik drzwi zamrażarki z zestawu akcesoriów i zamontować go po drugiej stronie drzwi zamrażarki.
9. Wyjąć prawy górny zawias, prawą maskownicę górnego zawiasu z zestawu akcesoriów, a następnie założyć drzwi zamrażarki na środkowy zawias. Włożyć tulejkę do otworu górnego zawiasu. Zamontować górny zawias i założyć jego maskownicę, a następnie włożyć zaślepkę otworów po drugiej stronie lodówki.



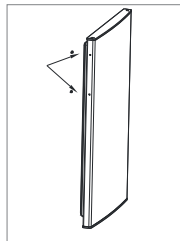
**UWAGA**

Powyższa ilustracja ma charakter poglądowy. Rzeczywista konfiguracja zależy od modelu bądź zamówienia dystrybutora.

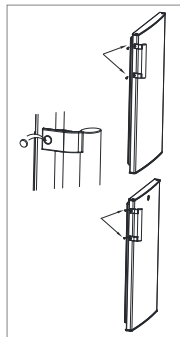
## Montaż rączki drzwiczek (opcjonalne)

Uwaga: Ilustracje w instrukcji użytkownika tylko w celach poglądowych. Rzeczywisty produkt może się różnić od tego przedstawionego na zdjęciach. Przed montażem akcesoriów należy odłączyć lodówkę od źródła zasilania.

Krok 1: Wymij dwa bolce z drzwi (otwierana strona drzwi)



Krok 2: Zainstaluj uchwyt drzwiowy i umocuj śrubami



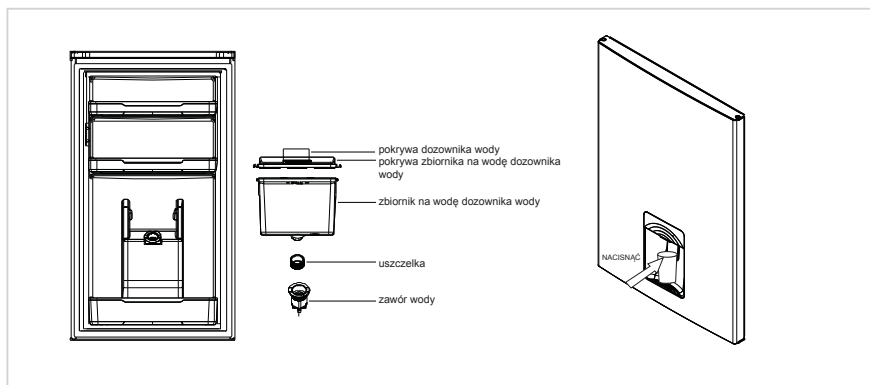
Krok 3: Zakryj główki śrub uchwytu otworami na śruby

\* Powyższa ilustracja ma charakter poglądowy. Rzeczywista konfiguracja zależy od modelu bądź zamówienia dystrybutora

PL

## Korzystanie z dozownika wody (opcjonalne)

1. Najpierw otworzyć pokrywę wlotu wody i napełnić zbiornik wodą do picia, aż do oznaczenia „MAX” wskazującego maksymalny poziom wody.
2. Docisnąć kubkiem dźwignię, aż woda zacznie wypływać z kranika. Po zwolnieniu dźwigni woda przestanie wypływać.
3. Dozownika wody można używać tylko do dozowania czystej wody. Pod żadnym pozorem nie wolno wlewać do zbiornika napojów ani soków.



# INSTRUKCJE OBSŁUGI

## Włączanie urządzenia

Ustawienie „Off”: urządzenie wyłączone

Ustawienie „Min”: delikatne chłodzenie

Ustawienie „Med” lub „MID”: normalny tryb pracy (odpowiednia do większości zastosowań)

Ustawienie „Max”: najmocniejsze chłodzenie

- Gdy temperatura otoczenia jest wysoka, np. gorące letnie dni. Może być konieczne ustawienie termostatu na najniższą temperaturę („Max”). W takim przypadku sprężarka będzie pracować nieustannie, by utrzymać niską temperaturę w komorze.
- Po pierwszym uruchomieniu lodówki należy ustawić pokrętkę termostatu w położenie „Med”. Przed włożeniem żywności do lodówki poczekać na jej całkowite wychłodzenie. Przed włożeniem żywności najlepiej jest odczekać 24 godziny. Pokrętkę termostatu służy do regulacji temperatury. Gdy pokrętkę termostatu ustawione jest w położenie OFF, lodówka nie działa.

## Wskazówki dotyczące przechowywania żywności w urządzeniu

Ugotowane mięso i ryby należy zawsze przechowywać na półce powyżej surowego mięsa i ryb, aby uniknąć przenoszenia bakterii. Surowe mięso i ryby należy przechowywać w pojemniku, który jest wystarczająco duży, aby pomieścić zbierające się soki oraz prawidłowo go zamknąć. Umieść pojemnik na najniższej półce.

- Pozostaw między żywnością wolne miejsce, by powietrze mogło swobodnie przepływać wewnątrz lodówki. Upewnij się, że wszystkie elementy lodówki są chłodne.
- Aby uniknąć przenikania smaków oraz wyschnięcia, oddzielnie pakuj lub przykrywaj żywność. Nie trzeba owijać owoców i warzyw.
- Przed włożeniem do urządzenia ugotowanej żywności należy odczekać na jej ostygnięcie. Pomoże to w zachowaniu odpowiedniej temperatury wewnątrz urządzenia.
- Aby uniknąć uciekania zimnego powietrza ze środka, należy ograniczyć częstość otwierania drzwi. Zaleca się otwieranie drzwi tylko, gdy konieczne jest włożenie lub wyjęcie żywności.

## Wymiana żarówki

Wymianę żarówki należy zlecić osobom wykwalifikowanym.

Np.	TYP komory	Docelowa temp. przechowywania [°C]	Zalecana żywność
1	Lodówka	+2 ~ +8	Jajka, ugotowana żywność, żywność pakowana, owoce i warzywa, produkty mleczne, ciasta, napoje i inna żywność, której nie można mrozić.
2	Zamrażarka (***)*	≤-18	Owoce morza (ryby, krewetki, skorupiaki), ryby słodkowodne i produkty mięsne (zalecane przechowywanie przez trzy miesiące; nie przekraczać tego terminu przechowywania, ponieważ spowoduje utratę smaku i wartości odżywczych), odpowiednie do mrożenia świeżej żywności.
3	Zamrażarka ***	≤-18	Owoce morza (ryby, krewetki, skorupiaki), ryby słodkowodne i produkty mięsne (zalecane przechowywanie przez trzy miesiące; nie przekraczać tego terminu przechowywania, ponieważ spowoduje utratę smaku i wartości odżywczych), odpowiednie do mrożenia świeżej żywności.
4	Zamrażarka **	≤-12	Owoce morza (ryby, krewetki, skorupiaki), ryby słodkowodne i produkty mięsne (zalecane przechowywanie przez trzy miesiące; nie przekraczać tego terminu przechowywania, ponieważ spowoduje utratę smaku i wartości odżywczych), odpowiednie do mrożenia świeżej żywności.
5	Zamrażarka *	≤-6	Owoce morza (ryby, krewetki, skorupiaki), ryby słodkowodne i produkty mięsne (zalecane przechowywanie przez trzy miesiące; nie przekraczać tego terminu przechowywania, ponieważ spowoduje utratę smaku i wartości odżywczych), odpowiednie do mrożenia świeżej żywności.
6	Zero gwiazdek	-6 ~ 0	Świeża wieprzowina, wołowina, ryby, kurczak, wybrana pakowana żywność przetworzona itd. (zaleca się spożycie w ciągu kilku dni; najlepiej przechowywać nie dłużej niż trzy dni). Częściowo pakowana próżniowo żywność przetworzona (potrawy nie nadające się do mrożenia).
7	Chłodziarka	-2 ~ +3	Świeża/mrożona wieprzowina, wołowina, kurczak, ryby słodkowodne itd. (siedem dni w temperaturze poniżej 0°C; w przypadku temperatury powyżej 0°C zaleca się spożycie tego samego dnia, najlepiej przechowywać nie dłużej niż dwa dni). Owoce morza (od 0 do 15 dni, przy czym nie zaleca się przechowywania w temperaturze powyżej 0°C).
8	Świeża żywność	0 ~ +4	Świeża wieprzowina, wołowina, ryby, kurczak, ugotowana żywność itd. (Zaleca się spożycie w ciągu kilku dni; najlepiej przechowywać nie dłużej niż trzy dni).
9	Wino	+5 ~ +20	Czerwone wino, białe wino, wino musujące itd.

### UWAGA

Różne rodzaje żywności należy przechowywać w odpowiednich komorach lub temperaturze przechowywania.

# CZYSZCZENIE I KONSERWACJA

## Rozmrażanie

- Wyłączenie lodówki.
- Wyjmij z lodówki żywność i umieść w odpowiednim miejscu, by zapobiec ociepleniu.
- Wyczyść przewód odprowadzający (użyj miękkich materiałów, by zapobiec uszkodzeniu powierzchni). Przygotuj pojemniki na rozpuszczający się lód. (podczas usuwania wody z tacki odpływowej komory sprężarki zwracaj uwagę, by nie rozlała się na podłogę).
- Do przyspieszenia odszraniania można także użyć odpowiedniej ilości gorącej wody. Po odszronieniu użyj suchego ręcznika do usunięcia roztopionej wody.
- Do przyspieszenia odszraniania można także użyć odpowiedniej ilości gorącej wody. Po odszronieniu użyj suchego ręcznika do usunięcia roztopionej wody.
- Po odszronieniu z powrotem włóż żywność do komory i włącz lodówkę.

## Zaprzestanie użytkowania

### Awaria zasilania:

W razie awarii zasilania, nawet latem, temperatura żywności przechowywanej w urządzeniu będzie zachowana przez kilka godzin. Podczas przerwy w dostawie energii elektrycznej należy ograniczyć częstotliwość otwierania drzwi lodówki i nie należy umieszczać w niej dodatkowej nieschłodzonej żywności.

### Długa przerwa w korzystaniu z urządzenia:

urządzenie należy odłączyć od zasilania, a następnie wyczyścić. Pozostawić otwarte drzwi, aby zapobiec powstawaniu nieprzyjemnych zapachów.

### Przemieszczanie:

Przed przemieszczeniem lodówki należy z niej wyjąć wszystkie luźne przedmioty, zabezpieczyć taśmą szklane przegrody, pojemnik na owoce i warzywa, szuflady zamrażarki itd., a także zabezpieczyć nóżki poziomujące. Zamknąć drzwi i zabezpieczyć je taśmą. Podczas przemieszczania urządzenie nie może być obrócone do góry dnem ani ułożone poziomo. Urządzenia nie należy poddawać wstrząsom. Przemieszczanego urządzenia nie należy pochylać o więcej niż 45°.

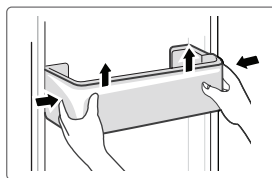
### UWAGA

Po uruchomieniu urządzenie powinno działać bez przerw. Praca urządzenia nie powinna być zakłócana, gdyż może to spowodować skrócenie żywotności urządzenia.

W przypadku awarii zasilania żywność będzie przez kilka godzin nadal chłodzona. Zaleca się w tym czasie rzadsze otwieranie drzwi.

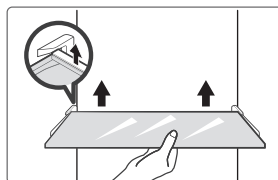
## Czyszczenie balkoników drzwiowych

- Ścisnąć obiema dłońmi balkonik w kierunku wskazanym na poniższym obrazku przez strzałki i pchnąć go do góry, aby go wyjąć.
- Po umyciu wyjętego balkonika można umieścić go na dowolnej wysokości.



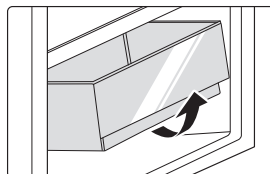
## Czyszczenie szklanych półek

- W tylnej części półki znajduje się wypust blokujący dlatego, aby wyjąć półkę, należy ją unieść.
- Wyczyścić i wyregulować półki zgodnie z zapotrzebowaniem.



## Czyszczenie szuflady na owoce i warzywa

1. Wyjąć wszystkie produkty z szuflady. Chwycić za rączkę szuflady na owoce i warzywa, a następnie wyciągnąć ją do oporu.
2. Unieść szufladę w górę, a następnie wyciągnąć ją z lodówki.



PL

### ● UWAGA

Do czyszczenia należy używać miękkich ręczników lub gąbki zwilżonej wodą z nieżrącym, neutralnym detergentem. Zamrażarkę należy na koniec wyczyścić czystą wodą i wysuszyć szmatką. Przed włączeniem zasilania otworzyć drzwi, aby urządzenie wyschło. Do czyszczenia chłodziarki nie używać twardych szczotek, wełny stalowej, szczotek drucianych, środków ściernych (takich jak pasta do zębów), rozpuszczalników organicznych (takich jak alkohol, aceton, olej z bananów itp.), wrzącej wody, środków kwasowych lub zasadowych, gdyż mogą one uszkodzić wewnętrzne lub zewnętrzne powierzchnie lodówki.

# WYKRYWANIE USTEREK I ICH USUWANIE

Poniższe proste w rozwiązaniu problemy użytkownik może usunąć samodzielnie. Jeśli problemy nie zostaną rozwiązane, należy skontaktować się z działem serwisu posprzedażowego.

Problem	Możliwa przyczyna
Nie działa	<ul style="list-style-type: none"> <li>• Sprawdzić, czy urządzenie jest podłączone do zasilania oraz czy wtyczka jest poprawnie podłączona</li> </ul>
	<ul style="list-style-type: none"> <li>• Sprawdzić, czy napięcie jest odpowiednio wysokie</li> </ul>
	<ul style="list-style-type: none"> <li>• Sprawdzić, czy zasilanie działa lub czy nie doszło do wyłączenia obwodu zasilającego</li> </ul>
Nieprzyjemna woń	<ul style="list-style-type: none"> <li>• Żywność wydzielającą intensywną woń należy szczelnie opakować</li> </ul>
	<ul style="list-style-type: none"> <li>• Sprawdzić, czy żywność zepsuła się</li> </ul>
	<ul style="list-style-type: none"> <li>• Wyczyścić wnętrze lodówki</li> </ul>
Przedłużająca się praca sprężarki	<ul style="list-style-type: none"> <li>• Długa praca lodówki jest zjawiskiem normalnym w lecie, kiedy występują wysokie temperatury</li> </ul>
	<ul style="list-style-type: none"> <li>• Nie zaleca się przechowywania dużej ilości żywności</li> </ul>
	<ul style="list-style-type: none"> <li>• Żywność należy wystudzić przed umieszczeniem jej w lodówce</li> </ul>
	<ul style="list-style-type: none"> <li>• Drzwi otwierane są zbyt często</li> </ul>
Oświetlenie nie włącza się	<ul style="list-style-type: none"> <li>• Sprawdzić, czy urządzenie jest podłączone do źródła zasilania i czy źródło światła jest sprawne</li> </ul>
	<ul style="list-style-type: none"> <li>• Zlecić wymianę źródła światła specjalście</li> </ul>
Nie można prawidłowo zamknąć drzwi	<ul style="list-style-type: none"> <li>• W zamknięciu drzwi przeszkadza umieszczona żywność. Umieszczono zbyt dużo żywności</li> </ul>
	<ul style="list-style-type: none"> <li>• Lodówka jest przechylona.</li> </ul>
Głośne hałasy	<ul style="list-style-type: none"> <li>• Sprawdzić, czy posadzka jest równa i czy lodówka stoi stabilnie</li> </ul>
	<ul style="list-style-type: none"> <li>• Sprawdzić, czy akcesoria znajdują się na swoich miejscach</li> </ul>



Problem	Możliwa przyczyna
Uszczelka drzwi jest rozciągnięta	<ul style="list-style-type: none"> <li>• Usunąć ciała obce znajdujące się na uszczelce</li> <li>• Podgrzać uszczelkę drzwi i schłodzić ją, aby przywrócić jej kształt (użyć suszarki elektrycznej lub gorącego ręcznika)</li> </ul>
Przelewanie się wody w zbiorniku	<ul style="list-style-type: none"> <li>• W komorze znajduje się zbyt dużo żywności lub żywność zawiera zbyt dużo wody co skutkuje intensywnym odszranianiem.</li> <li>• Drzwi nie są poprawnie zamknięte, co powoduje powstawanie szronu pod wpływem przedostawania się do wnętrza ciepłego powietrza. Roztopianie szronu skutkuje pojawianiem się nadmiernej ilości wody</li> </ul>
Ciepła obudowa	<ul style="list-style-type: none"> <li>• Odprowadzanie ciepła wbudowanego skraplacza przez obudowę; jest to zjawisko normalne. Gdy obudowa rozgrzewa się do wysokich temperatur z powodu wysokiej temperatury otoczenia, umieszczenia zbyt dużej ilości żywności lub wyłączenia się sprężarki, należy zapewnić odpowiednią wentylację, która umożliwi odprowadzenie ciepła</li> </ul>
Skraplanie się wody na powierzchni	<ul style="list-style-type: none"> <li>• Skroplenie się wody na powierzchni zewnętrznej i uszczelkach drzwi jest zjawiskiem normalnym, gdy wilgotność powietrza jest wysoka. Skroploną wodę można wytrzeć czystym ręcznikiem.</li> </ul>
Niestandardowe odgłosy	<ul style="list-style-type: none"> <li>• Brzęczenie: Pracująca sprężarka może brzęczeć zwłaszcza podczas uruchamiania i wyłączania się. Jest to zjawisko normalne.</li> <li>• Trzaski: Chłodziwo krążące w urządzeniu może wydawać dźwięki przypominające trzaski. Jest to zjawisko normalne.</li> </ul>

PL

# DOKUMENTY I CERTYFIKATY

## Deklaracja zgodności

Niniejszym deklarujemy, że następujące nazwy rynkowe modeli i nazwy modeli Midea są jednoznaczne.

Marka	Model Midea	Model marketingowy	Model fabryczny
Midea	HD-273FN	MDRT294FGE01	CE-BCD210CM-JQ
Midea	HD-273FN	MDRT294FGE50	CE-BCD210CM-JQ
Midea	HD-273FN	MERT210FGE01	CE-BCD210CM-JQ
Midea	HD-273FN	MERT210FGE50	CE-BCD210CM-JQ

Nazwa producenta: Guangzhou Midea Hualing Refrigerator Co., Ltd.

Adres producenta: No. 5 Xinguangsi Road, Qianfeng Zhujiang, Nansha District, Guangzhou City, Guangdong Province, P.R.China

Niniejszym producent Guangzhou Midea Hualing Refrigerator Co., Ltd. oświadcza, że powyżej wspomniane produkty są zgodne z wspomnianymi aktualnie obowiązującymi normami i przepisami.

# DODATEK

## Wymagania dotyczące nowych standardów Europejskich

Części zamawiane z poniższej tabeli można uzyskać za pośrednictwem kanału serwisowego.

Zamówiona część	Dostarczana przez	Minimalny wymagany czas dostępności
Termostaty	Profesjonalny personel serwisowy	Przynajmniej 7 lat od wprowadzenia na rynek ostatniego modelu
Czujniki temperatury	Profesjonalny personel serwisowy	Przynajmniej 7 lat od wprowadzenia na rynek ostatniego modelu
Płytki drukowane	Profesjonalny personel serwisowy	Przynajmniej 7 lat od wprowadzenia na rynek ostatniego modelu
Źródła światła	Profesjonalny personel serwisowy	Przynajmniej 7 lat od wprowadzenia na rynek ostatniego modelu
Rączki drzwi	Profesjonalne serwisy i użytkownicy końcowi	Przynajmniej 7 lat od wprowadzenia na rynek ostatniego modelu
Zawiasy drzwi	Profesjonalne serwisy i użytkownicy końcowi	Przynajmniej 7 lat od wprowadzenia na rynek ostatniego modelu
Tace	Profesjonalne serwisy i użytkownicy końcowi	Przynajmniej 7 lat od wprowadzenia na rynek ostatniego modelu
Kosze	Profesjonalne serwisy i użytkownicy końcowi	Przynajmniej 7 lat od wprowadzenia na rynek ostatniego modelu
Uszczelki drzwi	Profesjonalne serwisy i użytkownicy końcowi	Przynajmniej 10 lat od wprowadzenia na rynek ostatniego modelu

## Drogi kliencie

1. W razie chęci zwrotu lub wymiany produktu należy się skontaktować z punktem zakupu. (Należy pamiętać o dostarczeniu paragonu zakupu)
2. W razie awarii urządzenia należy się skontaktować z działem obsługi klienta.

### UWAGA

Informacje o modelu dostępne w bazie danych oraz identyfikator modelu można znaleźć w witrynie, której adres można uzyskać, skanując kod QR (jeśli jest dostępny) znajdujący się na etykiecie wydajności energetycznej urządzenia.

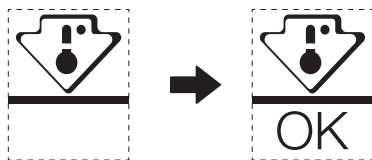
Więcej informacji o wydajności energetycznej urządzenia można znaleźć na stronie pod adresem <https://ec.europa.eu> po wyszukaniu nazwy modelu.

Nazwę modelu można znaleźć na tabliczce znamionowej urządzenia.

## Najzimniejsza strefa w lodówce

### OPCJONALNIE: wskaźnik OK temperatury

- Za pomocą wskaźnika OK temperatury można określić temperaturę poniżej +4°C. Stopniowo obniżać temperaturę, jeśli wskazanie „OK” nie jest wyświetlane.



- Aby zapewnić właściwą temperaturę w tej przestrzeni, nie zmieniać położenia półki. Lodówki z wymuszonym obiegiem powietrza (wyposażone w wentylator lub modele No Frost) nie posiadają oznaczenia najzimniejszej strefy, ponieważ panuje w nich równomierna temperatura.

### Wskaźnik ustawionej temperatury

- Lodówka została wyposażona we wskaźnik ustawionej temperatury, który pomaga wybrać właściwe ustawienie i monitoruje średnią temperaturę w najzimniejszej strefie.
- **OSTRZEŻENIE:** wskaźnik może być stosowany wyłącznie w konkretnej lodówce, nie można go umieścić w innej lodówce (strefy najniższej temperatury różnią się między sobą) ani stosować do innych celów.

### Sprawdzanie temperatury w najzimniejszej strefie

- Wskaźnik temperatury ułatwia regularne sprawdzanie, czy temperatura w najzimniejszej strefie jest właściwa. Na temperaturę wewnątrz lodówki wpływa wiele czynników, takich jak temperatura otoczenia, ilość umieszczonej żywności oraz częstotliwość otwierania drzwi. Konfigurując urządzenie, należy wziąć te czynniki pod uwagę.
- Gdy wskaźnik wyświetla komunikat «OK», oznacza to właściwe ustawienie termostatu i osiągnięcie pożądanej temperatury wewnętrznej.
- Gdy wskaźnik temperatury zmienia kolor na BIAŁY, oznacza to, że temperatura jest zbyt wysoka; w takiej sytuacji należy zwiększyć wartość ustawienia temperatury w lodówce i poczekać 12 godzin przed ponowieniem inspekcji wizualnej. Chwilę po dołożeniu świeżej żywności lub pozostawieniu otwartych drzwi wskaźnik temperatury może zmienić kolor na BIAŁY.

PL

## PODĚKOVÁNÍ

Děkujeme vám, že jste si zvolili značku Midea. Před použitím svého nového výrobku Midea si prosím pečlivě přečtete tento návod, abyste si byli jistí, jak bezpečným způsobem ovládat možnosti a funkce, které váš nový spotřebič nabízí.

# OBSAH

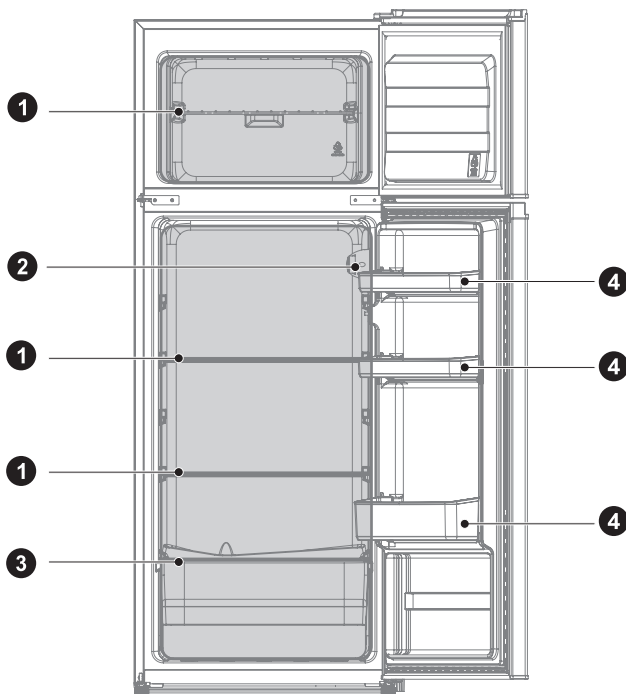
<b>PODĚKOVÁNÍ</b> -----	01
<b>TECHNICKÉ ÚDAJE</b> -----	02
<b>PŘEHLED PRODUKTU</b> -----	03
<b>MONTÁŽ VÝROBKU</b> -----	04
<b>POKYNY K OVLÁDÁNÍ</b> -----	11
<b>ČIŠTĚNÍ A ÚDRŽBA</b> -----	13
<b>ŘEŠENÍ PROBLÉMŮ</b> -----	15
<b>PROHLÁŠENÍ O SHODĚ A OSVĚDČENÍ</b> -----	17
<b>DODATEK</b> -----	18

# TECHNICKÉ ÚDAJE

Model výrobku	MDRT294FGE01/MDRT294FGE50/ MERT210FGE01/MERT210FGE50
Objem úložného prostoru pro čerstvé potraviny	163 L
Objem úložného prostoru pro zmrazené potraviny	41 L
Typ odmrazování	Ruční rozmrazování
Doba zvýšení teploty	8 h
Mrazicí kapacita	2,0 kg/24h
Jmenovité napětí	220-240 V~
Jmenovitý proud	0,5 A
Celkové rozměry (V × Š × H)	1430x550x550 mm

# PŘEHLED PRODUKTU

## Názvy součástí



- 1 Police
- 2 Teploměr

- 3 Chladicí oddíl na ovoce a zeleninu
- 4 Police dveří

### ● UPOZORNĚNÍ

Výše uvedený obrázek slouží pouze pro referenci. Skutečná konfigurace bude záviset na fyzickém výrobku nebo prohlášení distributora.

CZ

# MONTÁŽ VÝROBKU

## Pokyny k montáži

### Pro chladicí zařízení s klimatickou třídou

- V závislosti na klimatické třídě je tento chladicí spotřebič určen k použití v rozmezí okolní teploty podle následující tabulky.
- Klimatickou třídu najdete na typovém štítku. Výrobek nemusí při teplotách mimo uvedený rozsah fungovat správně.
- Klimatickou třídu najdete na štítku výrobku.

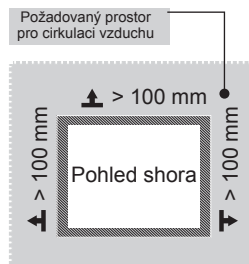
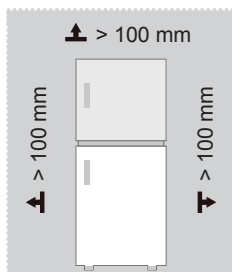
### Efektivní rozsah teplot

- Výrobek je navržen tak, aby normálně fungoval v teplotním rozsahu určeném jeho třídou.

Třída	Symbol	Rozsah okolní teploty °C	
		IEC 62552 (ISO 15502)	ISO 8561
Rozšířené mírné pásmo	SN	+10 až +32	+10 až +32
Mírné pásmo	N	+16 až +32	+16 až +32
Subtropické pásmo	ST	+16 až +38	+18 až +38
Tropické pásmo	T	+16 až +43	+18 až +43

### Rozměry a odstupy

- Příliš malá vzdálenost od sousedních předmětů může vést ke zhoršení funkce mrazení a vyšším nákladům na elektrickou energii. Při montáži spotřebiče ponechte odstup od všech sousedních stěn více než 100 mm.

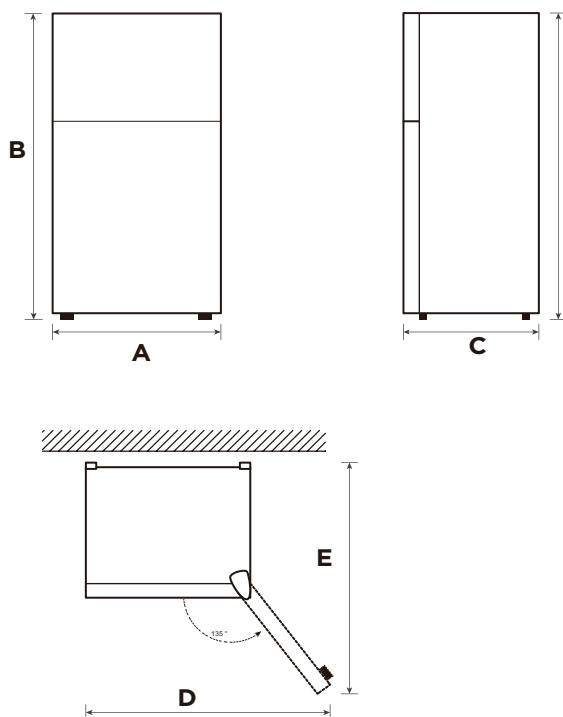


### UPOZORNĚNÍ

Výše uvedený obrázek slouží pouze pro referenci. Skutečná konfigurace bude záviset na fyzickém výrobku nebo prohlášení distributora.



Schéma požadavků na prostor (při otevřených a zavřených dveřích)



CZ

Šířka	Celková výška	Hloubka	Šířka při otevření dveří v úhlu 135°	Hloubka při otevření dveří v úhlu 135°
A	B	C	D	E
550	1430	550	902	1052

Poznámka: Všechny rozměry jsou uvedeny v milimetrech.

## Vyrovnávací nožičky

Spotřebič musí být vyrovnán, aby se zabránilo vibracím.

Pokud to bude nutné, nastavte vyrovnávací nožičky, aby vykompenzovaly nerovnou podlahu.

Jako pomoc k zavírání dveří by měla být přední část spotřebiče mírně vyšší než zadní část. Vyrovnávacími šrouby lze snadno otáčet, když spotřebič mírně nakloníte.

Otáčením vyrovnávacími šrouby proti směru hodinových ručiček  spotřebič zvednete, otáčením ve směru hodinových ručiček  jej snížíte.

## Přesunování spotřebiče

1. Vyměňte z vnitřku spotřebiče veškeré potraviny.
2. Vytáhněte napájecí zástrčku, vložte ji na háček napájecí zástrčky na zadní nebo horní části spotřebiče a zástrčku připevněte.
3. Přilepte lepicí páskou díly, jako jsou police a madlo dveří, abyste zabránili jejich vypadnutí během přesunování spotřebiče.
4. Spotřebič opatrně přesunujte ve více než dvou lidech. Přeppravujete-li spotřebič na delší vzdálenost, udržujte jej ve svislé poloze.
5. Jakmile bude spotřebič namontován na místě, připojte napájecí zástrčku do zásuvky, a spotřebič tak zapněte.

### UPOZORNĚNÍ

Výše uvedený obrázek slouží pouze pro referenci. Skutečná konfigurace bude záviset na fyzickém výrobku nebo prohlášení distributora.

## Změna otevírání dveří zprava doleva

V závislosti na místě, kde plánujete chladničku používat, může být pohodlnější obrátit orientaci dveří.

### VAROVÁNÍ

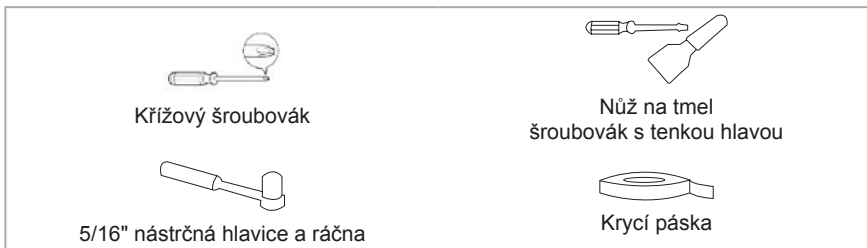
VAROVÁNÍ: Doporučujeme, aby vám během procesu obrácení dveří někdo pomáhal, abyste zabránili zranění nebo poškození majetku.

Příprava na obrácení orientace dveří

Budete potřebovat: běžný šroubovák, křížový šroubovák a dodaný imbusový klíč.

- Zkontrolujte, zda je chladnička odpojena a zda je prázdná.
- Mějte někoho při ruce, aby vám během procesu pomohl.
- Všechny součásti, které sejmete, si ponechte, abyste je mohli později znovu využít.

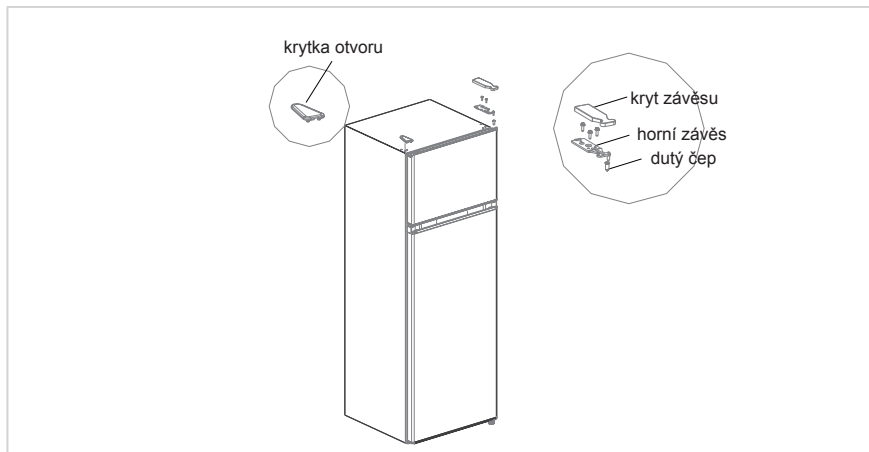
### Nástroje potřebné ke změně orientace dveří:



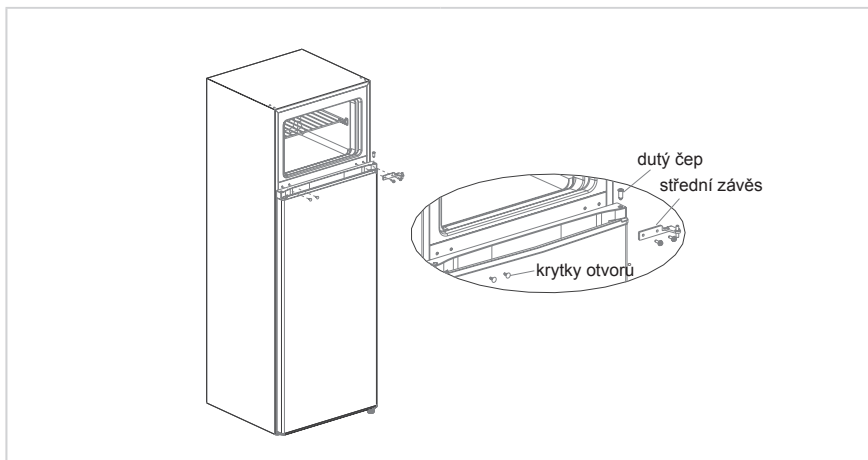
CZ

### Postup

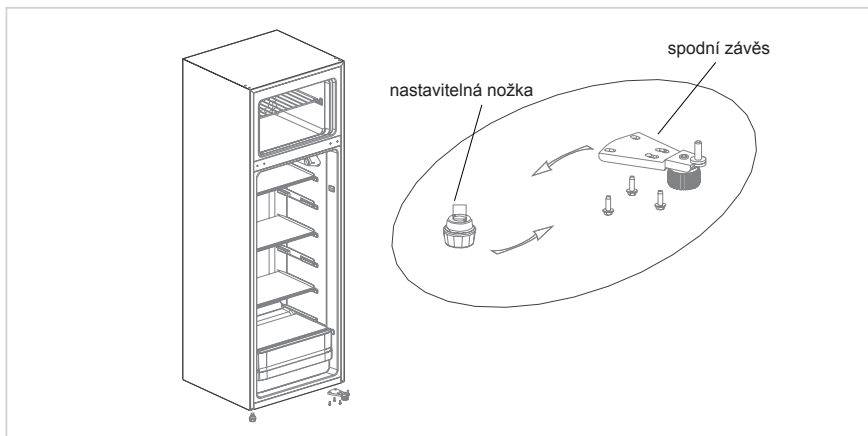
1. Vypněte chladničku a odstraňte všechny předměty z přihrádek ve dveřích.
2. Sundejte horní kryt závěsu, horní závěs, trubku objímky dveře mrazničky a krytku otvoru na opačné straně.



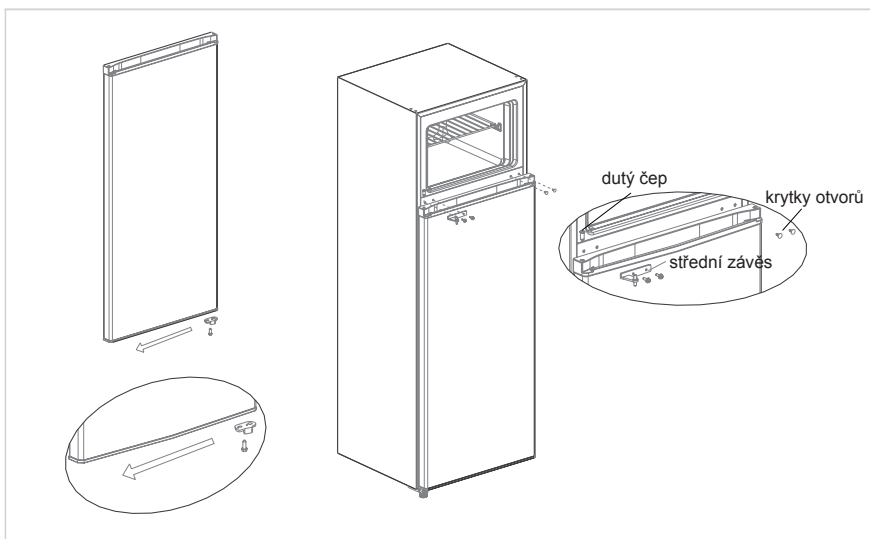
3. Sundejte dveře mrazicí komory, střední závěs, objímkovou trubku chladicích dveří a krytky otvorů na opačné straně.



4. Demontujte dveře chladničky, spodní závěs a nastavitelnou nožku na opačné straně.  
5. Smontujte sestavu spodního závěsu a nastavitelnou nožku na opačné straně.

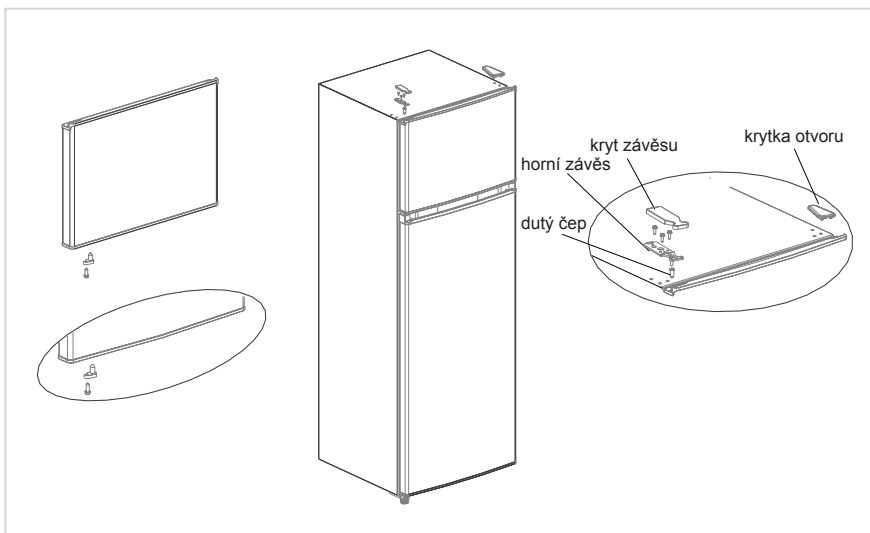


6. Uzávěr chladicích dveří namontujte na opačnou stranu.  
7. Nasadte dveře chladničky na spodní závěs, sestavte střední závěs, krytky otvorů a objímkovou trubku dveří chladničky.



8. Vyjměte doraz dveří mrazničky z balení příslušenství a namontujte ji na opačnou stranu dveří mrazničky.
9. Vyjměte pravý horní závěs, pravý horní kryt závěsu z balení příslušenství. Nasadte dveře mrazničky na prostřední závěs, vložte trubku objímky do otvoru závěsu vlevo nahoře na dveřích, smontujte horní závěs a kryt horního závěsu, poté nasadte krytku otvoru na opačné straně chladničky.

CZ



## ● UPOZORNĚNÍ

Výše uvedené obrázky slouží pouze pro referenci. Skutečná konfigurace bude záviset na fyzickém výrobku nebo prohlášení distributora.

## Instalace kliky dveří (volitelné)

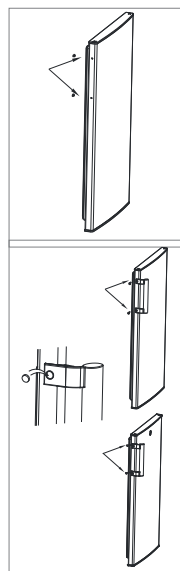
Poznámka: Obrázky v návodu k obsluze slouží pouze pro referenci. Skutečný výrobek se může mírně lišit. Před instalací příslušenství musí být chladnička odpojena od zdroje elektrického napájení.

Krok 1: vytáhněte ze dveří dva kolíky (otevřená strana dveří)

Krok 2: Namontujte rukojeť na dveře a upevněte ji šrouby.

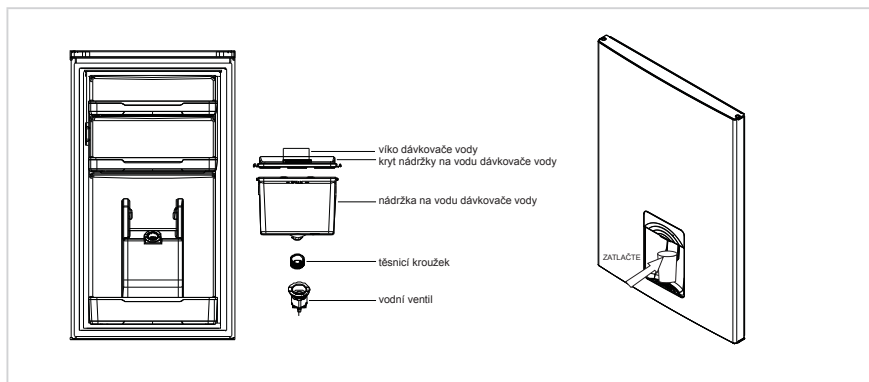
Krok 3: Otvory pro šrouby na rukojeti zakryjte krytkami šroubů.

\* Výše uvedený obrázek slouží pouze pro referenci. Skutečná konfigurace bude záviset na fyzickém výrobku nebo prohlášení distributora.



## Použití dávkovače vody (volitelné)

1. Nejprve otevřete kryt přívodu vody, naplňte pitnou vodou po rysku „MAX“ označenou jako maximální množství vody.
2. Pomocí pohárku zatlačte spoušť dovnitř, voda začne vytékat. Po návratu spouště do původní polohy se voda zastaví.
3. Dávkovač vody lze použít pouze pro čistou vodu, není vhodný pro nápoje nebo ovocné šťávy.



# POKYNY K OVLÁDÁNÍ

## Zapnutí zařízení

Poloha „Off“: jednotka je vypnutá

Poloha „Min“: vyšší teplota

Poloha „Med“ nebo „MID“: normální provoz (vhodný pro většinu situací)

Poloha „Max“: nejnižší teplota

- Při vysokých okolních teplotách, např. v horkých letních dnech, může být nutné nastavit termostat do polohy nejnižší teploty (poloha „Max“). To může způsobit nepřetržitý běh kompresoru v zájmu zajištění nízké teploty v chladničce.
- Při první montáži chladničky nastavte regulátor termostatu do polohy „Med“. Před vložením potravin nechte ledničku zcela vychladit. Před vložením potravin je nejlepší 24 hodin počkat. Regulátor termostatu řídí teplotu. Když je regulátor termostatu v poloze OFF, chladnička nebude fungovat.

## Tipy pro ukládání potravin do zařízení

Vařená masa / ryby by měly být vždy uloženy na polici nad syrovým masem/rybami, aby se zabránilo přenosu bakterií. Surové maso / ryby uchovávejte v nádobě, která je dostatečně velká, aby udržela šťávy, a řádně ji přikryjte. Umístěte nádobu na nejnižší polici.

- Kolem potravin ponechejte prostor, aby uvnitř zařízení mohl cirkulovat vzduch. Zajistěte, aby všechny části zařízení byly udržovány chladné.
- Abyste zabránili přenosu vůní a vyschnutí, zabalte nebo zakryjte potraviny odděleně. Ovoce a zeleninu není nutné balit.
- Před vložením do chladničky nechte předvařené potraviny vždy vychladnout. To pomůže zajistit vnitřní teplotu zařízení.
- Abyste zabránili úniku studeného vzduchu ze zařízení, pokuste se omezit počet otevření dveří. Dveře doporučujeme otvírat, pouze pokud potřebujete vložit nebo vyjmout potraviny.

## Výměna žárovky

Výměna žárovky profesionály.

Pořadí	Typ prostoru	Cílová skladovací teplota [°C]	Příslušná potravin
1	Chladnička	+2 ~ +8	Vejce, vařené potraviny, balené potraviny, ovoce a zelenina, mléčné výrobky, dorty, nápoje a další potraviny, které nejsou vhodné k mrazení.
2	(***)*-Mraznička	≤-18	Výrobky z mořských živočichů (ryby, krevety, korýši), výrobky ze sladkovodních živočichů a masné výrobky (doporučuje se uchovávat po dobu 3 měsíců; čím delší je doba, tím horší je chuť a nutriční hodnoty), vhodné pro mrazené čerstvé potraviny.
3	***-Mraznička	≤-18	Výrobky z mořských živočichů (ryby, krevety, korýši), výrobky ze sladkovodních živočichů a masné výrobky (doporučuje se uchovávat po dobu 3 měsíců; čím delší je doba, tím horší je chuť a nutriční hodnoty), vhodné pro mrazené čerstvé potraviny.
4	** -Mraznička	≤-12	Výrobky z mořských živočichů (ryby, krevety, korýši), výrobky ze sladkovodních živočichů a masné výrobky (doporučuje se uchovávat po dobu 3 měsíců; čím delší je doba, tím horší je chuť a nutriční hodnoty), vhodné pro mrazené čerstvé potraviny.
5	*-Mraznička	≤-6	Výrobky z mořských živočichů (ryby, krevety, korýši), výrobky ze sladkovodních živočichů a masné výrobky (doporučuje se uchovávat po dobu 3 měsíců; čím delší je doba, tím horší je chuť a nutriční hodnoty), vhodné pro mrazené čerstvé potraviny.
6	0 hvězdiček	-6 ~ 0	Čerstvé vepřové, hovězí, ryby, kuřecí, některé balené zpracované potraviny atd. (doporučuje se je zkonsumovat ve stejný den, nejlépe do maximálně 3 dnů). Částečně balené zpracované potraviny (potraviny, které nejsou určeny k mrazení).
7	Mrazicí prostor	-2 ~ +3	Čerstvé/mrazené vepřové, hovězí a kuřecí maso, výrobky ze sladkovodních ryb atd. (pod 0 °C mohou být potraviny uchovávány po 7 dnů, nad 0 °C se doporučuje potraviny zkonsumovat ve stejný den, nejlépe do maximálně 2 dnů), potraviny z moře (pod 0 °C po dobu 15 dnů, nedoporučuje se skladovat při teplotě nad 0 °C).
8	Čerstvé potraviny	0 ~ +4	Čerstvé vepřové, hovězí, ryby, kuřecí, vařené potraviny, apod. (doporučuje se je zkonsumovat ve stejný den, nejlépe do maximálně 3 dnů).
9	Víno	+5 ~ +20	Červené víno, bílé víno, šumivé víno atd.

## UPOZORNĚNÍ

Składujte různé druhy potravin v jim příslušných prostorech nebo podle cílové skladovací teploty zakoupených výrobků.



# ČIŠTĚNÍ A ÚDRŽBA

## Odmrazování

- Vypněte chladničku.
- Vyjměte potraviny z chladničky a řádně je uložte, aby se neroztekly.
- Vyčistěte odtokové potrubí (použijte měkké materiály, aby nedošlo k poškození vložky). Připravte nádoby na vodu k rozmrazování. (Věnujte pozornost čištění odtokové vany v prostoru kompresoru, aby nedošlo k přetečení vody na zem.)
- K urychlení rozmrazování můžete také použít přiměřené množství horké vody a po rozmrazení ji osušit suchou utěrkou.
- K urychlení rozmrazování můžete také použít přiměřené množství horké vody a po rozmrazení ji osušit suchou utěrkou.
- Po rozmrazení vložte potraviny zpět do skříně a zapněte chladničku.

## Ukončení používání

### Výpadek napájení:

Při výpadku napájení, a to dokonce i v létě, lze potraviny uvnitř spotřebiče uchovávat po několik hodin. Během výpadku napájení je nutné snížit četnost otevírání dveří a nevkládat do spotřebiče žádné další čerstvé potraviny.

### Dlouhodobé nepoužívání:

Spotřebič je nutné odpojit od napájení a poté vyčistit. Dveře nechte otevřené, abyste zabránili vzniku zápachu.

### Přemísťování:

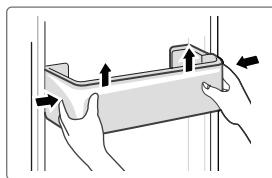
přepážky, držák zeleniny, zásuvky mrazicí komory atd. zajistěte páskou a utáhněte vyrovnávací nožičky. Zavřete dveře a zajistěte je páskou. Během přemísťování se spotřebič nesmí otočit vzhůru nohama ani do horizontální polohy ani nesmí být vystaven vibracím. Naklonění během přesunování nesmí přesáhnout 45°.

### ● UPOZORNĚNÍ

Po spuštění by měl být spotřebič v nepřetržitém chodu. Obecně by neměl být provoz spotřebiče přerušován. V opačném případě by mohla být ovlivněna jeho životnost. Potraviny lze v případě výpadku napájení uchovávat několik hodin i v létě. Doporučujeme snížit frekvenci otevírání dveří.

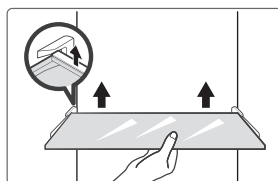
## Čištění přihrádky ve dveřích

- Podle směru šipek na níže uvedeném obrázku stiskněte oběma rukama zásuvku, vytlačte ji nahoru a pak ji vyjměte.
- Po mytí vytažené zásuvky můžete při zpětném vkládání nastavit výšku jejího umístění podle svých požadavků.



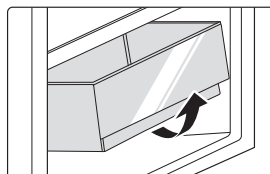
## Čištění skleněné police

- V části obložení chladničky nejvíce vzadu, kde má police zarážku, nadzvedněte polici směrem nahoru a poté ji budete moci vytáhnout.
- Podle požadavků police nastavte nebo vyčistěte.



## Čištění zásuvky na zeleninu

1. Vyjměte obsah zásuvky. Uchopte madlo zásuvky na zeleninu a zcela jej vytáhněte, dokud se nezastaví.
2. Zvedněte zásuvku na zeleninu nahoru a vytažením ji vyjměte.



## UPOZORNĚNÍ

K čištění se doporučují měkké hadříky nebo houbičky namočené vodě a nekorozivní neutrální čisticí prostředky. Na závěr je mrazničku třeba očistit čistou vodou a suchým hadříkem. Než zapnete napájení, nechte dveře otevřené, aby prostor přirozeně vyschl. K čištění povrchu a vnitřního prostoru chladničky nepoužívejte tvrdé kartáče, kovové drátěnky, drátěné kartáče, abrazivní látky – například zubní pasty, organická rozpouštědla (například alkohol, aceton, izoamylacetát atd.), vařící vodu, kyseliny ani alkalické látky, které by je mohly poškodit.

# ŘEŠENÍ PROBLÉMŮ

Uživatel může vyřešit následující jednoduché problémy. Pokud se problémy nepodaří vyřešit, zavolejte na poprodejní servisní oddělení.

Problém	Možná příčina
Spotřebič nelze uvést do provozu.	• Zkontrolujte, zda je spotřebič připojený k napájení a zda je zástrčka řádně zasunuta.
	• Zkontrolujte, zda není napětí příliš nízké.
	• Zkontrolujte, zda nedošlo k výpadku napájení nebo vynechávání některého okruhu.
Dochází k zápachu.	• Aromatické potraviny je nutné těsně zabalit.
	• Zkontrolujte, zda není nějaká potravina zkažená.
	• Vyčistěte vnitřní prostor chladničky.
Kompresor je spuštěn dlouho.	• Dlouhé spuštění kompresoru je normální v létě, nebo když je okolní teplota příliš vysoká.
	• Nedoporučuje se vkládat do spotřebiče příliš mnoho potravin najednou.
	• Než se potraviny do spotřebiče vloží, je nutné je zchladit.
Světlo nesvíí.	• Neotevírejte dveře příliš často.
	• Zkontrolujte, zda je chladnička připojena k napájení a zda není světlo poškozeno.
	• Nechte žárovku vyměnit specialistou.
Dveře nelze dostatečně zavřít.	• Dveřím překáží balení potravin. Uvnitř je příliš mnoho potravin.
	• Chladnička je nakloněna.
Jsou slyšet hlasité zvuky.	• Zkontrolujte, zda je podlaha rovná a zda je chladnička umístěna stabilně.
	• Zkontrolujte, zda je veškeré příslušenství na správném místě.

CZ

Problém	Možná příčina
Těsnění dveří nepřiléhá.	<ul style="list-style-type: none"> <li>• Sejměte z těsnění dveří cizí nečistoty.</li> <li>• Zahřejte těsnění dveří a poté jej opět zchladte, aby se vrátilo do původního tvaru (například jej vyfoukejte elektrickým vysoušečem nebo k zahřátí použijte horký ručník).</li> </ul>
Nádobka na vodu přetéká.	<ul style="list-style-type: none"> <li>• V prostoru pro potraviny je příliš mnoho potravin nebo uložené potraviny obsahují příliš mnoho vody, což vede k silnému odmrazování.</li> <li>• Dveře nejsou řádně zavřeny, což vede k námraze kvůli přívodu vzduchu a většímu množství vody kvůli odmrazování.</li> </ul>
Plášť chladničky je horký.	<ul style="list-style-type: none"> <li>• Dochází k odvodu tepla vestavěného kondenzátoru přes kryt, což je normální. Zahřívá-li se kryt v důsledku vysoké okolní teploty a skladování příliš velkého množství potravin nebo se vypne kompresor, zajistěte dobré větrání, aby se usnadnil odvod tepla.</li> </ul>
Na povrchu dochází ke kondenzaci.	<ul style="list-style-type: none"> <li>• Kondenzace na vnějším povrchu a těsnění dveří chladničky je normální, když je okolní vlhkost příliš vysoká. Jednoduše kondenzát otřete čistou utěrkou.</li> </ul>
Dochází k abnormálnímu hluku.	<ul style="list-style-type: none"> <li>• Bzučení: Kompresor může během provozu bzučet a toto bzučení je hlasité zejména při spouštění a zastavování. Jedná se o normální jev.</li> <li>• Skřípot: Chladivo proudící vnitřkem spotřebiče může produkovat skřípot, což je normální jev.</li> </ul>

# PROHLÁŠENÍ O SHODĚ A OSVĚDČENÍ

## Prohlášení o shodě

Tímto prohlašujeme, že následující názvy modelů zákazníka a názvy modelů Midea se příslušně navzájem shodují.

Značka	Model Midea	Marketingový model	Tovární model
Midea	HD-273FN	MDRT294FGE01	CE-BCD210CM-JQ
Midea	HD-273FN	MDRT294FGE50	CE-BCD210CM-JQ
Midea	HD-273FN	MERT210FGE01	CE-BCD210CM-JQ
Midea	HD-273FN	MERT210FGE50	CE-BCD210CM-JQ

Název výrobce: Guangzhou Midea Hualing Refrigerator Co., Ltd.  
Adresa výrobce: No. 5 Xinguangsi Road, Qianfeng Zhujiang,  
Nansha District, Guangzhou City, Guangdong  
Province, ČLR

My, Guangzhou Midea Hualing Refrigerator Co., Ltd., tímto prohlašujeme, že výše uvedené výrobky vyhovují výše uvedeným aktuálně platným nařízením a normám.

CZ

# DODATEK

## Speciální poznámka pro novou evropskou normu

Díly k objednání v následující tabulce lze získat od poskytovatele servisu.

Díl k objednání	Kdo jej poskytuje	Minimální doba požadovaná k poskytování
Termostaty	Profesionální specialisté na údržbu	Nejméně 7 let od uvedení posledního modelu na trh
Teplotní senzory	Profesionální specialisté na údržbu	Nejméně 7 let od uvedení posledního modelu na trh
Desky plošných spojů	Profesionální specialisté na údržbu	Nejméně 7 let od uvedení posledního modelu na trh
Žárovky	Profesionální specialisté na údržbu	Nejméně 7 let od uvedení posledního modelu na trh
Madla dveří	Profesionální opraváři a koncoví uživatelé	Nejméně 7 let od uvedení posledního modelu na trh
Závěsy dveří	Profesionální opraváři a koncoví uživatelé	Nejméně 7 let od uvedení posledního modelu na trh
Zásuvky	Profesionální opraváři a koncoví uživatelé	Nejméně 7 let od uvedení posledního modelu na trh
Košě	Profesionální opraváři a koncoví uživatelé	Nejméně 7 let od uvedení posledního modelu na trh
Těsnění dveří	Profesionální opraváři a koncoví uživatelé	Nejméně 10 let od uvedení posledního modelu na trh

### Vážený zákazníku,

1. Pokud chcete výrobek vrátit nebo vyměnit, obraťte se na obchod, kde jste jej zakoupili. (Nezapomeňte přinést stvrzenku)
2. Pokud dojde k poruše výrobku a je vyžadována oprava, obraťte se na poskytovatele poprodejních služeb.

### UPOZORNĚNÍ

Informace o modelu v databázi výrobků lze stejně jako označení modelu získat prostřednictvím webového odkazu otevřeného naskenováním kódu QR na štítku energetické účinnosti výrobku (nachází-li se tam).

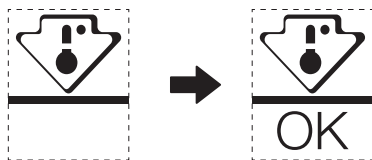
Informace o energetické účinnosti spotřebiče jsou uvedeny na webu <https://ec.europa.eu>, kde je vyhledáte podle názvu modelu.

Název modelu lze nalézt na typovém štítku spotřebiče.

## Nejchladnější zóna chladničky

### VOLITELNĚ: Indikátor OK-teploty

- Indikátor OK-teploty lze použít k určení teplot pod +4 °C. Pokud není na značce uvedeno „OK“, snižujte postupně teplotu.



- K zajištění teploty tohoto prostoru neměňte umístění police. U chladniček s nuceným oběhem vzduchu (vybavených ventilátorem nebo beznámrázových) není symbol nejchladnější zóny uveden, protože teplota uvnitř je homogenní.

### Nastavení indikátoru teploty

- Chladnička je vybavena indikátorem teploty, který monitoruje průměrnou teplotu nejchladnější zóny, aby vám to pomohlo chladničku dobře nastavit.
- VÝSTRAHA:** Tento indikátor je určen k fungování pouze s touto chladničkou. Nepoužívejte jej v jiné chladničce (nejchladnější zóny se ve skutečnosti liší) ani k žádnému jinému použití.

CZ

### Kontrola teploty nejchladnější zóny

- Pomocí indikátoru teploty můžete pravidelně kontrolovat, že je teplota nejchladnější zóny správná. Vnitřní teplota chladničky ve skutečnosti závisí na několika faktorech, jako je okolní teplota v místnosti, množství uložených potravin a frekvence otevírání dveří. Vezměte tyto faktory při nastavování spotřebiče v úvahu.
- Pokud se na indikátoru zobrazuje „OK“, znamená to, že je termostat dobře nastaven a vnitřní teplota je správná.
- Pokud se indikátor teploty změní na BÍLOU barvu, znamená to, že je teplota příliš vysoká. V takovém případě zvýšte nastavení ovládání teploty chladničky a počkejte 12 hodin, než indikátor znovu vizuálně zkontrolujete. Je možné, že indikátor teploty změní dočasně barvu na BÍLOU, když vložíte čerstvé potraviny nebo když dveře zůstanou chvíli otevřené.

## KÖSZÖNŐLEVÉL

Köszönjük, hogy a Mideát választotta! Az új Midea terméke használatának megkezdése előtt olvassa el figyelmesen ezt a kézikönyvet, hogy biztosan tudja, a készüléket az adott funkciók és jellemzők mellett hogyan tudja biztonságosan használni.

# TARTALOM

<b>KÖSZÖNŐLEVÉL</b> -----	01
<b>MŰSZAKI JELLEMZŐK</b> -----	02
<b>A TERMÉK ÁTTEKINTÉSE</b> -----	03
<b>A TERMÉK TELEPÍTÉSE</b> -----	04
<b>ÜZEMELTETÉSI UTASÍTÁSOK</b> -----	11
<b>TISZTÍTÁS ÉS KARBANTARTÁS</b> -----	13
<b>HIBAELHÁRÍTÁS</b> -----	15
<b>DOKUMENTÁCIÓ ÉS TANÚSÍTVÁNYOK</b> -----	17
<b>MELLÉKLET</b> -----	18

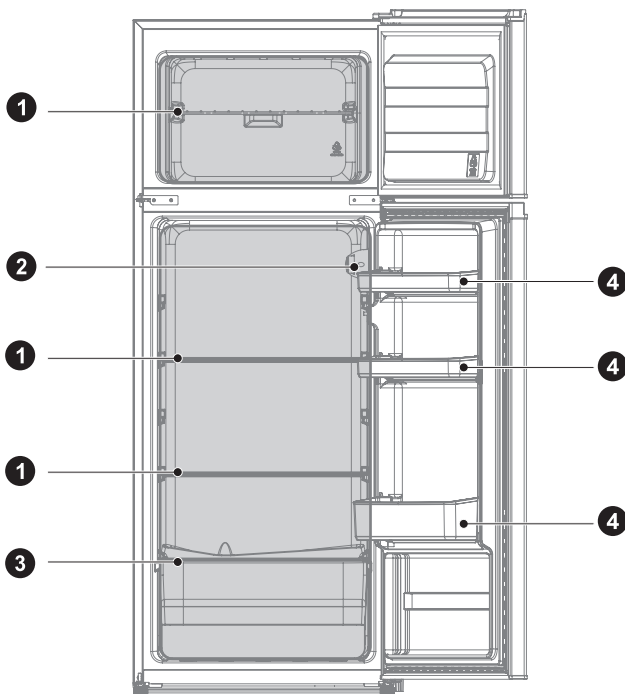


# MŰSZAKI JELLEMZŐK

Terméktípus	MDRT294FGE01/MDRT294FGE50/ MERT210FGE01/MERT210FGE50
Frissélelmiszer-rekesz térfogata	163 L
Fagyasztottélelmiszer-rekesz térfogata	41 L
Leolvasztás típusa	Kézi leolvasztás
Hőmérsékletemelkedési idő	8 h
Fagyasztási kapacitás	2,0 kg/24h
Névleges feszültség	220-240 V~
Névleges áram	0,5 A
Teljes méret (M x H x Sz)	1430x550x550 mm

# A TERMÉK ÁTTEKINTÉSE

## Alkatrész neve



- 1 Polc
- 2 Termostát

- 3 Frissentartó
- 4 Ajtórekesz

### ● FIGYELEM

A fenti ábra csak tájékoztató jellegű. A tényleges konfiguráció az adott terméktől vagy a kereskedőtől függ.

# A TERMÉK TELEPÍTÉSE

## Telepítési utasítások

### Klímaosztállyal rendelkező hűtőkészülékekhez

- A klímaosztálytól függően ezt a hűtőkészüléket az alábbi táblázatban meghatározott környezeti hőmérséklettartományban kell használni.
- A klímaosztály a típustáblán található. Előfordulhat, hogy a termék nem működik megfelelően a meghatározott tartományon kívül.
- A klímaosztályt a termékcímkén találja.

### Effektív hőmérsékleti tartomány

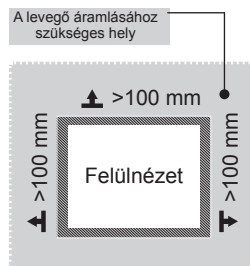
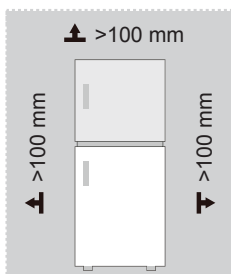
- A terméket úgy alakították ki, hogy rendeltetészerűen működjön az osztálybesorolásában meghatározott tartományban.

Osztály	Szimbólum	Környezeti hőmérsékleti tartomány °C	
		IEC 62552 (ISO 15502)	ISO 8561
Kiterjesztett mérsékelt	SN	+10 és +32 között	+10 és +32 között
Mérsékelt	N	+16 és +32 között	+16 és +32 között
Szubtrópusi	ST	+16 és +38 között	+18 és +38 között
Trópusi	T	+16 és +43 között	+18 és +43 között

HU

### Méreték és szabadon hagyandó területek

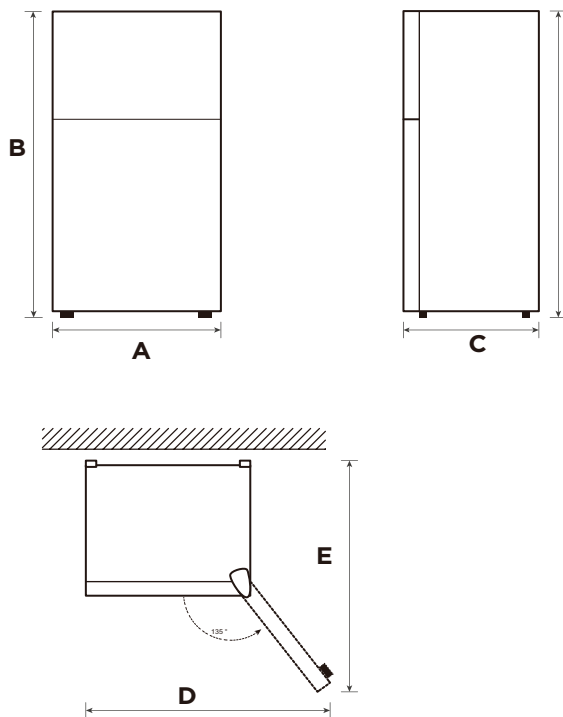
- Ha a termék túl közel van a környező tárgyakhoz, akkor romolhat a fagyasztási teljesítménye, és nőhet az áramfogyasztása. A készülék telepítésekor a készülék és a körülötte lévő összes falfelület között hagyjon legalább 100 mm-ert.



### FIGYELEM

A fenti ábra csak tájékoztató jellegű. A tényleges konfiguráció az adott terméktől vagy a kereskedőtől függ.

Ábra a helyigényről (nyitott és csukott ajtó mellett)



HU

Szélesség	Teljes magasság	Mélység	Az ajtók 135°-ban nyithatók	Az ajtók 135°-os mélységben nyithatók
A	B	C	D	E
550	1430	550	902	1052

Figyelem: Az összes méret mm-ben van megadva



## Szintezőláb

A rázkódás elkerüléséhez a készüléket szintbe kell állítani.

Szükség esetén a szintezőcsavarok kompenzálják az egyenetlen padlót.

A készülék elejének enyhén magasabban kell lennie a hátuljánál, hogy segítse az ajtó becsukódását.

A szintezőcsavarok könnyen forgathatók, ha enyhén megdönti a készülékházat.

Forgassa a szintezőcsavarokat az óramutató járásával ellentétes irányba  a készülék megemeléséhez, vagy az óramutató járásával megegyező irányba  a készülék lentebb engedéséhez.

## A készülék mozgatása

1. Vegye ki az összes élelmiszert a készülék belsejéből.
2. Húzza ki a tápcsatlakozót a hálózati aljzatból, majd illessze be és rögzítse a készülék hátoldalán vagy tetején lévő tápcsatlakozótartó hurokba.
3. Ragasztószalaggal rögzítse az elmozdulásra képes alkatrészeket, például a polcokat és az ajtófogantyút, hogy ne essenek ki a készülék mozgatása közben.
4. A készüléket legalább hárman mozgassák. A készüléket nagy távolságra szállításkor tartsák álló helyzetben.
5. A készüléket az ismételt elhelyezése után csatlakoztassa az elektromos hálózathoz, majd kapcsolja be.

### FIGYELEM

A fenti ábra csak tájékoztató jellegű. A tényleges konfiguráció az adott terméktől vagy a kereskedőtől függ.

## Hűtőajtó nyitási irányának megfordítása(opcionális)

Annak alapján, hogy hol kívánja használni a hűtőszekrényt, praktikusabb lehet megfordítani az ajtó helyzetét.

### VIGYÁZAT

VIGYÁZAT: A személyi sérülés vagy anyagi kár elkerülése érdekében javasoljuk, hogy az ajtó átfordítását két személy végezze.

Az ajtó megfordításának előkészítése

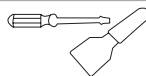
A következőkre lesz szüksége: Egy normál csavarhúzó, egy csillagfejű csavarhúzó és a mellékelt imbuszkulcs.

- Ügyeljen rá, hogy a hűtőszekrény ne csatlakozzon az elektromos hálózathoz, és belül üres legyen.
- Kérjen meg valakit, hogy segítse a feladat elvégzésében.
- Az összes eltávolított alkatrészt őrizze meg, hogy fel tudja őket ismét használni.

### Az ajtócserehez szükséges eszközök:



5/16"-os dugóskulcs



Spatulya  
Vékony pengéjű csavarhúzó

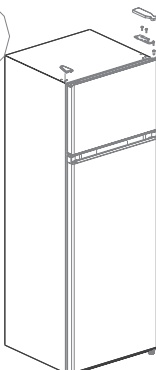


Maszkolószalag

### Lépés

1. Kapcsolja ki a hűtőszekrényt, és távolítsa el mindent az ajtófalcákról.
2. Vegye le a felső zsanérfedelet, a felső zsanért, a fagyasztóajtó csőhüvelyét és a másik oldalon található furatfedő dugaszt.

furatfedő dugasz



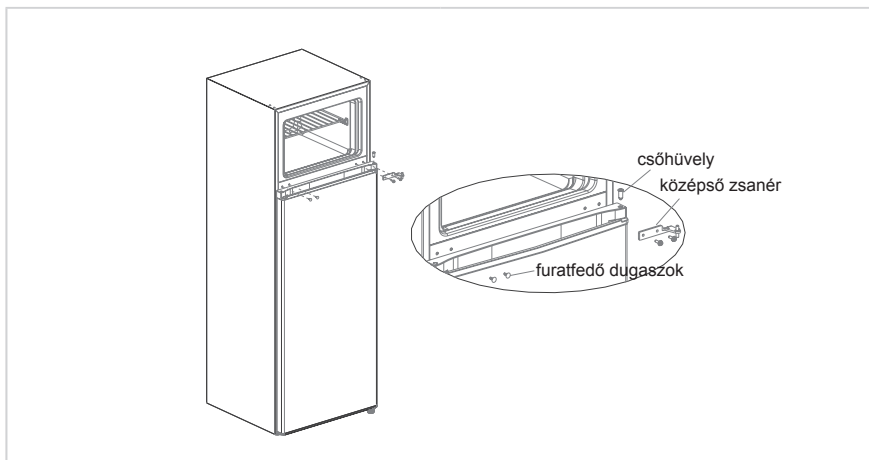
zsanérfedél

felső zsanér

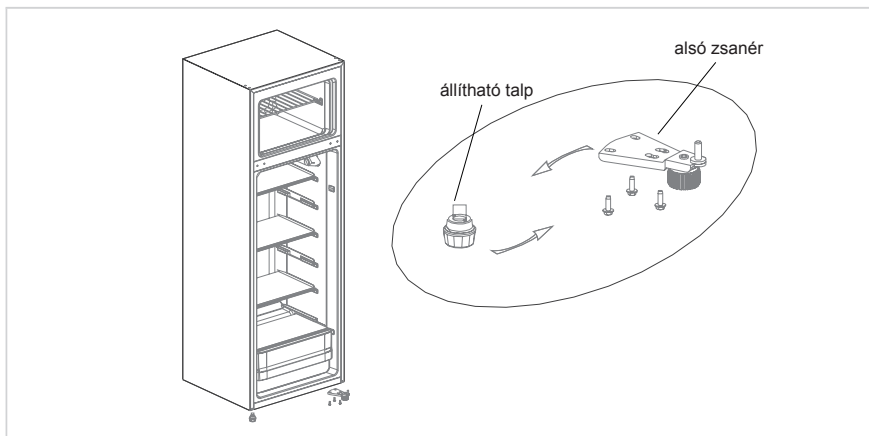
csőhüvely



3. Vegye le a fagyosztókamra ajtaját, a középső zsanért, a hűtőszekrényajtó csőhüvelyt és a mások oldalon található furatfedő dugaszokat.

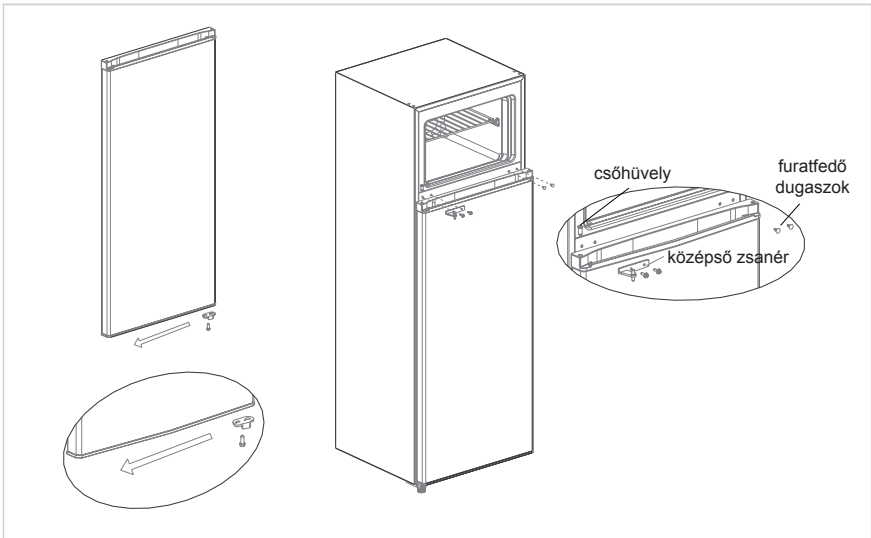


4. Vegye le a hűtőszekrényajtót, vegye ki az alsó zsanért és a másik oldal állítható lábát.
5. Szerelje be az alsó zsanérszerelvényt és az állítható lábát a másik oldalon.

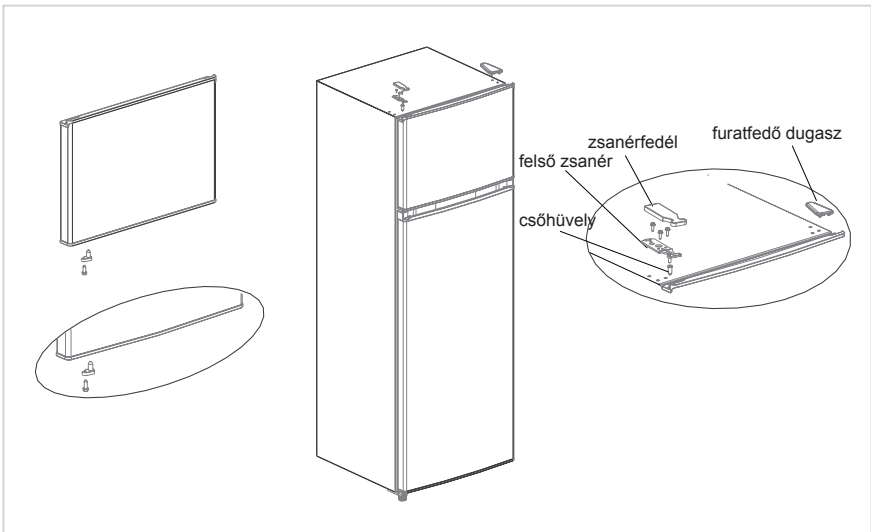


6. Szerelje be a hűtőszekrényajtó ütközőjét a másik oldalon.
7. Helyezze a hűtőszekrényajtót az alsó zsanérra, szerelje be a középső zsanért, a furatfedő sapkákat és a hűtőszekrényajtó csőhüvelyt.

HU



8. Vegye ki a fagyasztóajtó ütközőjét a tartozékcsoombsból, és szerelje fel a fagyasztóajtó másik oldalára.
9. Vegye ki a jobb felső zsanért és a jobb felső zsanérfedelet a tartozékcsoombsból. Tegye rá a fagyasztóajtót a középső zsanérra, helyezze be a csőhüvelyt az ajtó tetejének bal oldalán található zsanérlyukba, szerelje be a felső zsanért és zsanérfedelet, majd rögzítse a furatfedő dugaszt a hűtőszekrény másik oldalán.



**FIGYELEM**

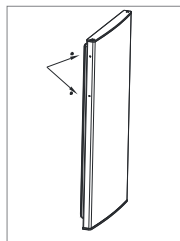
A fenti ábra csak tájékoztató jellegű. A tényleges kialakítás az adott terméktől vagy a kereskedőtől függ.



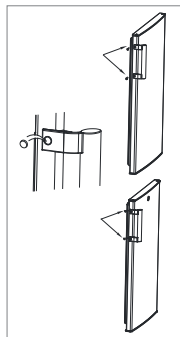
## Ajtófogantyú felszerelése (opcionális)

Megjegyzés: A használati útmutató ábrái csak szemléltetési célokat szolgálnak. A tényleges termék ezektől kissé eltérő lehet. A hűtőszekrényt válassza le az áramforrásról, mielőtt a tartozékokat megpróbálná beszerelni.

1. lépés: Vegye ki a két csavartakaró kupakot az ajtóból (az ajtó nyitható oldalán)



2. lépés: Helyezze fel az ajtó fogantyúját az ajtóra, és erősítse oda a csavarokkal.



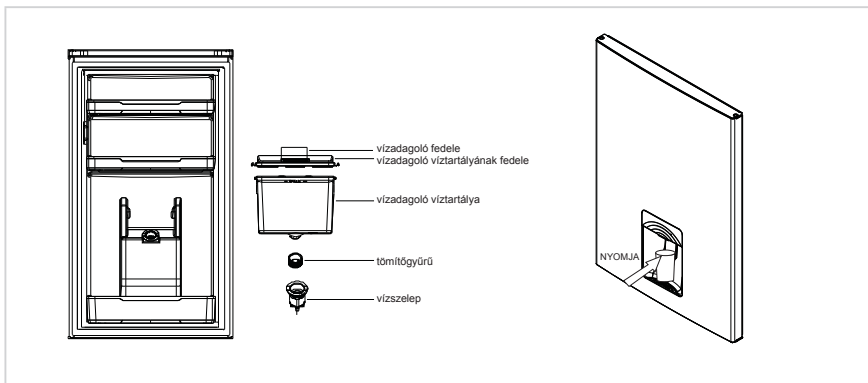
3. lépés: Helyezze be a csavartakaró fedeleket a csavarok furataiba.

\* A fenti ábra csak referencia. A tényleges konfiguráció az adott terméktől vagy a kereskedőtől függ

HU

## A vízadagoló használata (opcionális)

1. Vegye le a vízbetöltő nyílás fedelét, majd töltsse fel az adagolót ivóvízzel a MAX jelzésig.
2. Víz kitöltéséhez a pohárral nyomja befelé a kart. Ha a kar visszatér az eredeti helyzetébe, a vízkitöltés leáll.
3. A vízadagoló csak tiszta vízzel használható. Nem alkalmas más italok vagy gyümölcslevek adagolásához.



# ÜZEMELTETÉSI UTASÍTÁSOK

## A termék bekapcsolása

Off: A készülék kikapcsolva

Min: Kevésbé hideg hőfok

Med vagy MID: Normál működés (a legtöbb helyzetben megfelelő)

Max: Leghidegebb hőmérséklet

- Magas környezeti hőmérséklet esetében pl. meleg nyári napokon. Előfordulhat, hogy a termosztátot a leghidegebb beállításra kell állítani (Max állás). Ez a kompresszor folyamatos működését eredményezheti annak érdekében, hogy fent tudja tartani az alacsony hőmérsékletet a szekrény belsejében.
- Amikor a legelső alkalommal telepíti a hűtőszekrényt, állítsa a termosztát gombot a „Med”-re. Hagyjon időt, hogy a hűtőszekrény teljesen lehűljön, mielőtt beletenné az ételeket. A legjobb 24 órát várni az ételek berakása előtt. A termosztát gomb szabályozza a hőmérsékletet. Ha a termosztát gombot OFF-ra állítják, a hűtőszekrény nem fog működni.

## Tippek arra, hogy hogyan tároljon élelmiszert a készülékben

A főtt húsokat/halakat mindig a nyers húsok/halak feletti polcon kell tárolni a baktériumok átvitelének elkerülése érdekében. A nyers húsokat/halakat olyan tárolóedényben tárolja, amely elég nagy a kieresztett levek összegyűjtéséhez és a megfelelő lefedésükhöz. Helyezze a tárolóedényt a legalsó polcra.

- Hagyjon helyet az élelmiszerek körül, hogy a levegő szabadon áramolhasson a készülék belsejében. Ügyeljen arra, hogy a készülék minden alkatrésze hideg maradjon.
- Annak megakadályozásához, hogy az élelmiszerek átvegyék egymás szagát vagy kiszáradjanak, elkülönítve csomagolja be vagy fedje le a termékeket. A gyümölcsöket és zöldségeket nem kell becsomagolni.
- Mindig hagyja, hogy az előfőzött étel lehűljön, mielőtt a készülékbe teszi. Ez segít megőrizni a készülék első hőmérsékletét.
- Ne nyissa ki túl gyakran az ajtót, hogy megakadályozza a hideg levegő kiszökését. Javasoljuk, hogy csak akkor nyissa ki az ajtót, amikor élelmiszert tesz a készülékbe vagy vesz ki onnan.

## Izzócsere

Az izzó cseréjét bízza szakemberre.

Elrendezés	Rekeszek TÍPUSA	Cél tárolási hőmérséklet [°C]	Megfelelő ételkészlet
1	Hűtőszekrény	+2 ~ +8	A tojás, a főtt étel, a csomagolt ételkészlet, a gyümölcs és zöldség, a tejtermékek, a sütemények, az italok és egyéb ételkészletek fagyasztásra nem alkalmasak.
2	(****)*-Fagyasztó	≤-18	Tengeri ételkészlet (hal, kagyló, rák), édesvízi ételkészlet és hús (az ajánlott tárolási idő 3 hónap, minél hosszabb ideig tárolja, annál rosszabb lesz az íz és a tápérték). Fagyasztott friss ételkészlet tárolására alkalmas.
3	***-Fagyasztó	≤-18	Tengeri ételkészlet (hal, kagyló, rák), édesvízi ételkészlet és hús (az ajánlott tárolási idő 3 hónap, minél hosszabb ideig tárolja, annál rosszabb lesz az íz és a tápérték). Fagyasztott friss ételkészlet tárolására alkalmas.
4	**-Fagyasztó	≤-12	Tengeri ételkészlet (hal, kagyló, rák), édesvízi ételkészlet és hús (az ajánlott tárolási idő 3 hónap, minél hosszabb ideig tárolja, annál rosszabb lesz az íz és a tápérték). Fagyasztott friss ételkészlet tárolására alkalmas.
5	*-Fagyasztó	≤-6	Tengeri ételkészlet (hal, kagyló, rák), édesvízi ételkészlet és hús (az ajánlott tárolási idő 3 hónap, minél hosszabb ideig tárolja, annál rosszabb lesz az íz és a tápérték). Fagyasztott friss ételkészlet tárolására alkalmas.
6	0-csillag	-6 ~ 0	Friss sertés, marha, hal, csirke, bizonyos csomagolt feldolgozott ételkészletek stb. (Javasolt még aznap elfogyasztani, de lehetőleg 3 napon belül). Részben lezárt feldolgozott ételkészletek (nem fagyasztható ételkészletek).
7	Fagyos rekeszek	-2 ~ +3	Friss/fagyasztott sertéshús, marhahús, csirke, édesvízi és akváriumban nevelt termékek stb. (0 °C alatt 7 napon belül fogyasztandó, 0 °C felett ugyanazon a napon, de legfeljebb 2 napon belül fogyasztandó). Tenger gyümölcsei (0 °C alatt 15 napig állnak el, 0 °C feletti tárolásuk nem ajánlott).
8	Frissentartó	0 ~ +4	Friss sertés, marha, hal, csirke, főtt étel stb. (Javasolt még aznap elfogyasztani, de lehetőleg 3 napon belül).
9	Bor	+5 ~ +20	Vörösbőr, fehérbőr, pezsgő stb.

### FIGYELEM

A különféle ételkészleteket a nekik megfelelő rekeszekben vagy tárolási hőmérsékleten tárolja.

HU

# TISZTÍTÁS ÉS KARBANTARTÁS

## Leolvasztás

- Kapcsolja ki a hűtőszekrényt.
- Vegye ki az élelmiszereket a hűtőszekrényből, és tegye őket megfelelő helyre, hogy ne olvadjanak ki.
- Tisztítsa ki a leeresztőcsövet (puha anyagokat használjon), hogy ne sértse meg a fémbélést. A leolvasztáshoz készítse elő a tárolóedényeket, amelyekkel felfogja a vizet. (Ügyeljen a kompresszorrekesz vízvezető tálcájának tisztítására, mert túlfolyás esetén a padlóra folyhat a víz).
- Megfelelő mennyiségű forró vizet is használhat a leolvasztás felgyorsításához, és egy száraz ronggyal felitathatja a vizet a leolvasztás után.
- Megfelelő mennyiségű forró vizet is használhat a leolvasztás felgyorsításához, és egy száraz ronggyal felitathatja a vizet a leolvasztás után.
- A leolvasztást követően tegye vissza az élelmiszereket a hűtőszekrény belsejébe, és kapcsolja be a hűtőszekrényt.

## Ha nincs használatban

### Áramkimaradás:

Áramkimaradás esetén, akár még nyáron is, az ételek több órán át tarthatók a berendezésben; áramkimaradás esetén csökkenteni kell az ajtónyitások számát, nem szabad friss ételt a hűtőbe tenni.

### Használaton kívül:

A készüléket ki kell húzni, ki kell takarítani; majd az ajtókat nyitva kell hagyni, hogy a legyen kellemetlen szag a hűtőben.

### Mozgatás:

A hűtőszekrény mozgatása előtt vegyen ki minden tárolt élelmiszert, rögzítse ragasztószalaggal az üveg alkatrészeket, a zöldségtartót, a fagyasztókamra fiókjait stb., és húzza meg a szintezőlábakat. Zárja be az ajtókat, és rögzítse őket ragasztószalaggal. Mozgatás során a berendezést tilos fejtetőre, vagy vízszintes pozícióba állítani, tilos vibrációnak kitenni; mozgatás során a megdöntés szöge nem lehet nagyobb, mint 45°.

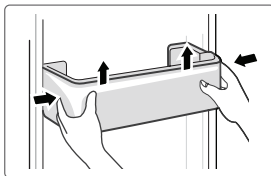
### FIGYELEM

Az indítást követően a berendezést folyamatosan kell üzemeltetni. Általánosságban elmondható, hogy a berendezés működésének megszakítása csökkenti a berendezés élettartamát.

Áramkimaradás esetén az ételek megtarthatók néhány órán át még nyáron is; azt javasoljuk, hogy ilyen esetben csökkentse az ajtónyitások sűrűségét.

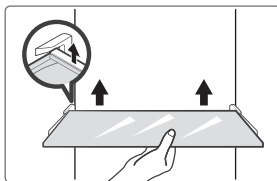
## Ajtótálca tisztítása

- Az alábbi ábrán látható nyílnek megfelelően két kézzel fogja meg a rekeszt és nyomja felfelé, majd vegye ki a helyéről.
- Azt követően, hogy a kivett tálcat elmosta, szükség szerint a kívánt magasságba helyezheti vissza.



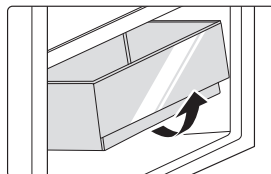
## Üvegpolc tisztítása

- A hűtő belsejében, ahol a polc és a hűtő hátulja találkozik, egy kis mélyedés található; emelje meg a polcot felfelé, hogy kivehesse a helyéről.
- Igényei szerint állítsa be vagy tisztítsa meg a polcokat.



## A zöldséges fiók tisztítása

1. Vegyen ki mindent a fiókból. Fogja meg a fiók markolatát, és húzza ki teljesen, ütközésig.
2. Emelje meg a zöldséges fiókot, és húzza ki az eltávolításához.



HU

### ● FIGYELEM

Javasolt vízbe vagy nem maró hatású semleges tisztítószerbe áztatott puha szivacsot használni a tisztításhoz. Végül a fagyasztót is tisztítsa ki tiszta vízzel és száraz ruhával. Mielőtt bekapcsolná a készüléket, nyissa ki az ajtaját a természetes száradáshoz. Ne használjon kemény keféket, acél súrolót, súrolószereket (pl. fogkrémet), organikus oldószereket (pl. alkoholt, acetont, banánelaját, stb.), forró vizet, savas vagy lúgos szereket a hűtőszekrény tisztításához, amelyek károsíthatják a hűtőszekrény felületét, belsejét.

# HIBAELHÁRÍTÁS

A következő egyszerű problémákat a felhasználó is kezelni tudja. Kérjük, hívja szervizünket, ha valamilyen problémát nem sikerül elhárítani.

Probléma	Lehetséges ok
Berendezés nem működik	• Ellenőrizze, hogy a berendezés csatlakoztatva van-e az elektromos hálózathoz, vagy a dugvilla megfelelően érintkezik.
	• Ellenőrizze, hogy a feszültség nem túl alacsony-e.
	• Ellenőrizze, hogy nincs-e áramkimaradás, vagy az egyes áramkörök megszakítói nem oldottak le.
Szag	• Az erős szagú ételeket szorosan be kell csomagolni.
	• Ellenőrizze, hogy nincs-e rohadt étel a hűtőben.
	• Tisztítsa ki a hűtőszekrény belsejét
A kompresszor hosszú idejű működése	• Normális, ha a hűtő nyáron vagy magas környezeti hőmérséklet esetén hosszú ideig működik.
	• Ilyenkor javasolt kevesebb ételt helyezni a hűtőbe.
	• Mielőtt a készülékbe helyezné, hűtse le az ételt.
	• Az ajtókat túl gyakran nyitják
A lámpa nem világít.	• Ellenőrizze, hogy a hűtőszekrény csatlakoztatva van-e az elektromos hálózathoz, illetve a lámpa nem sérült-e.
	• Szakemberrel cseréltesse ki a lámpát
Az ajtók nem záródnak megfelelően	• Az ajtó egy élelmiszer-csomagban elakad. Túl sok étel vagy a hűtőben.
	• A hűtő meg van döntve.
Hangos a készülék	• Ellenőrizze, hogy a padló vízszintese-e, illetve a hűtőberendezés stabilan áll.
	• Ellenőrizze, hogy a kiegészítők a megfelelő helyre vannak-e behelyezve.

Probléma	Lehetséges ok
Az ajtó tömítései nem szigetelnek megfelelően	<ul style="list-style-type: none"> <li>• Távolítsa el az idegen anyagokat az ajtó tömítéseiről.</li> <li>• Melegítse fel az ajtó tömítéseket, majd a helyreállításához hűtse le őket (vagy egy hőlégfúvóval, meleg törölközővel melegítse fel).</li> </ul>
A vízgyűjtő tálca túlcserdul	<ul style="list-style-type: none"> <li>• Túl sok élelmiszer van a rekeszben vagy a tárolt élelmiszer túl sok vizet tartalmaz, ami a hűtő leolvadásához vezet.</li> <li>• Az ajtók nincsenek megfelelően bezárva, ami a bejutó levegő miatt jegesedéshez, a túl sok víz leolvadásához vezet.</li> </ul>
Meleg burkolat	<ul style="list-style-type: none"> <li>• A beépített kondenzátor burkolata felmelegedhet, ami normális jelenség. Ha a magas környezeti hőmérséklet, a túl sok tárolt élelmiszer vagy a kompresszor leállása miatt a burkolat túl forróvá válik, gondoskodjon megfelelő szellőzésről a hő eloszlásának elősegítéséhez.</li> </ul>
Felületi páralecsapódás	<ul style="list-style-type: none"> <li>• A hűtőszekrény külső felületén és az ajtó tömítéseken jelentkező páralecsapódás normális jelenség, ha a környezeti páratartalom túl magas. Törölje le a páralecsapódást egy tiszta törölközővel.</li> </ul>
Rendellenes zaj	<ul style="list-style-type: none"> <li>• Zúgás: Működés közben a kompresszorból zúgás hallható, és ez a zúgás indításkor vagy leállításkor különösen hangos. Ez normális.</li> <li>• Nyikorgás: A berendezésben áramló hűtőközeg nyikorgó hangot adhat, ami normális.</li> </ul>

# DOKUMENTÁCIÓ ÉS TANÚSÍTVÁNYOK

## Megfeleléségi nyilatkozat

Ezennel kijelentjük, hogy a következő ügyféltípusnevek és Midea típusnevek megfelelnek egymásnak.

Márka	Midea típus	Marketing típus	Gyári típus
Midea	HD-273FN	MDRT294FGE01	CE-BCD210CM-JQ
Midea	HD-273FN	MDRT294FGE50	CE-BCD210CM-JQ
Midea	HD-273FN	MERT210FGE01	CE-BCD210CM-JQ
Midea	HD-273FN	MERT210FGE50	CE-BCD210CM-JQ

HU

Gyártó neve: Guangzhou Midea Hualing Refrigerator Co., Ltd.

Gyártó címe: No. 5 Xinguangsi Road, Qianfeng Zhujiang, Nansha District, Guangzhou City, Guangdong Province, P.R.China

Mi, Guangzhou Midea Hualing Refrigerator Co., Ltd. ezennel kijelentjük, hogy a fent nevezett termékek eleget tesznek a jelenleg érvényes fent nevezett előírásoknak és szabványoknak.



# MELLÉKLET

## Kimondottan az új európai szabványnak megfelelően

Az alábbi táblázatban lévő megrendelt alkatrészek a szolgáltatói csatornától szerezhetők be

Megrendelt alkatrész	Beszállító	A rendelkezésre bocsátáshoz szükséges minimális idő
Termosztátok	Professzionális karbantartó személyzet	Legalább 7 év azt követően, hogy az utolsó termék piacra került
Hőmérséklet-érzékelők	Professzionális karbantartó személyzet	Legalább 7 év azt követően, hogy az utolsó termék piacra került
Nyomatott áramkörü lapkák	Professzionális karbantartó személyzet	Legalább 7 év azt követően, hogy az utolsó termék piacra került
Fényforrás	Professzionális karbantartó személyzet	Legalább 7 év azt követően, hogy az utolsó termék piacra került
Ajtófogantyúk	Professzionális szerelők és végfelhasználók	Legalább 7 év azt követően, hogy az utolsó termék piacra került
Ajtózsanérok	Professzionális szerelők és végfelhasználók	Legalább 7 év azt követően, hogy az utolsó termék piacra került
Tálcák	Professzionális szerelők és végfelhasználók	Legalább 7 év azt követően, hogy az utolsó termék piacra került
Kosarak	Professzionális szerelők és végfelhasználók	Legalább 7 év azt követően, hogy az utolsó termék piacra került
Ajtótömítések	Professzionális szerelők és végfelhasználók	Legalább 10 év azt követően, hogy az utolsó termék piacra került

## Kedves vásárló!

1. Ha a terméket szeretné visszaküldeni vagy kicserélni, vegye fel a kapcsolatot az értékesítővel.  
(Ne felejtse el elhozni a vásárláskor kapott számlát)
2. Ha a termék elromlott és javításra van szükség, vegye fel a kapcsolatot a szervizrészleggel.

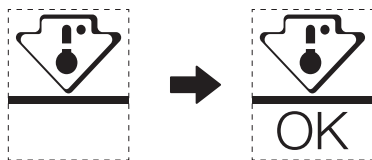
## FIGYELEM

A termékadatbázisban található modellinformációk, a termékazonosító, valamint a termék energiahatékonysági címkéje (ha van) a QR-kóddal beolvasott webcímen szerezhető be. A készülék energiahatékonyságáról további tájékoztatást a <https://ec.europa.eu> webhelyen talál, ha rákeres a típusnévre. A típusnév a készülék adattábláján található.

## A hűtőszekrény leghidegebb zónája

### OPCIONÁLIS: OK-hőmérsékletjelzés

- Az OK-hőmérsékletjelzéssel a +4 °C alatti hőmérsékletek határozhatók meg. Fokozatosan csökkentse a hőmérsékletet, amíg az „OK” jelzést nem látja.



- A terület hőmérsékletének garantálása érdekében, ne változtasson a polc elhelyezkedésén. A kényszerlevegős hűtőszekrények esetében (ventillátorral rendelkező vagy önleolvasztós modellek) nincs feltüntetve a leghidegebb zóna szimbólum, mert a belső hőmérséklet homogén.

### Hőmérsékletjelző beállítása

- Azért, hogy segítsen Önnek a megfelelő beállításban, a hűtőszekrényt hőmérsékletjelzővel látták el, ami figyelmeztet a leghidegebb zóna átlagos hőmérsékletére.
- FIGYELEM: Ezt a jelzőt az ön hűtőszekrényével való együttműködésre tervezték, ne használja másik hűtőszekrényben (mert a leghidegebb zóna nem ugyanolyan), vagy más felhasználási célal.

### A leghidegebb zóna hőmérsékletének ellenőrzése

- A hőmérsékletjelzővel rendszeresen tudja ellenőrizni, hogy a leghidegebb zóna hőmérséklete megfelelő-e. Valójában a hűtőszekrény belső hőmérséklete számos olyan tényezőtől függ, mint a helyiség környezeti hőmérséklete, a benne tárolt étel mennyisége és az ajtónyitás gyakorisága. A készülék beállításakor vegye figyelembe ezeket a tényezőket.
- Amikor a jelző «OK»-t mutat, az azt jelenti, hogy a termosztátot jól állították be, és a belső hőmérséklet megfelelő.
- Ha a hőmérsékletjelző FEHÉRRE vált, az azt jelenti, hogy a hőmérséklet túl magas; ebben az esetben növelje a hűtőszekrény hőmérsékletszabályozó beállítását, és várjon 12 órát, mielőtt újra szemrevételezéssel ellenőrizné a jelzőt. Ha friss élelmiszert helyeztek be, vagy az ajtót nyitva hagyták, előfordulhat, hogy a hőmérsékletjelző egy idő után FEHÉRRE vált.

HU

## ĎAKOVNÝ LIST

Ďakujeme vám, že ste si vybrali značku Midea! Skôr, než budete svoj produkt značky Midea používať, dôkladne si tento návod prečítajte, aby ste mali istotu, ako bezpečným spôsobom používať vlastnosti a funkcie vášho nového spotrebiča.

# OBSAH

ĎAKOVNÝ LIST	01
ŠPECIFIKÁCIE	02
PREHĽAD YÝROBKU	03
INŠTALÁCIA PRODUKTU	04
POKYNY NA POUŽÍVANIE	11
ČISTENIE A ÚDRŽBA	13
ODSTRAŇOVANIE PROBLÉMOV	15
DOKUMENTÁCIA A CERTIFIKÁTY	17
PRÍLOHA	18

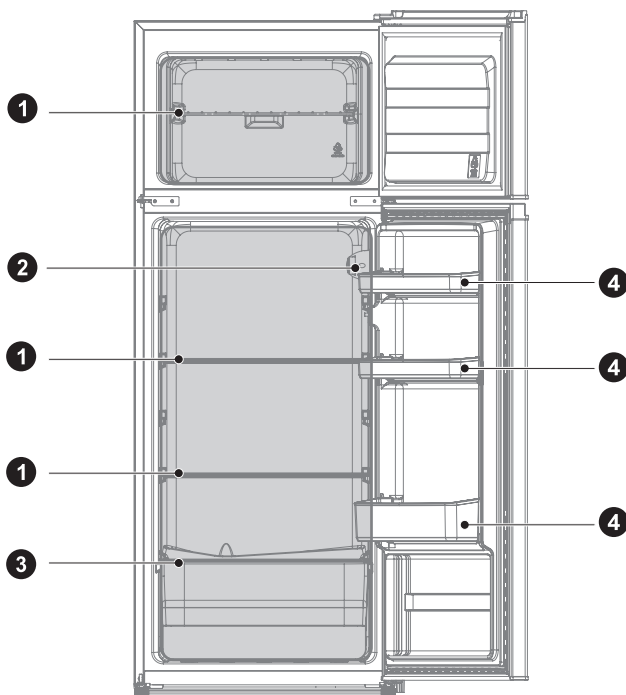
SK

# ŠPECIFIKÁCIE

Produktový model	MDRT294FGE01/MDRT294FGE50/ MERT210FGE01/MERT210FGE50
Objem priestoru na uloženie čerstvých potravín	163 L
Objem priestoru na uloženie mrazených potravín	41 L
Typ rozmrazovania	Ručné rozmrazovanie
Čas zvýšenia teploty	8 h
Mraziaci výkon	2,0 kg/24h
Menovité napätie	220-240 V~
Menovitý prúd	0,5 A
Celkové rozmery (V x Š x H)	1430x550x550 mm

# PREHL'AD Y'ROBKU

## Názvy dielov



- 1 Polica
- 2 Termostat

- 3 Zásuvka na čerstvé potraviny
- 4 Dverná zásuvka

### UPOZORNENIE

Hore znázornený obrázok je len ilustračný. Skutočná konfigurácia závisí od reálneho výrobku alebo vyhlásenia distribútora.

SK

# INŠTALÁCIA PRODUKTU

## Pokyny na inštaláciu

### Pre chladiace zariadenia s klimatickou triedou

- V závislosti od klimatickej triedy je toto chladiace zariadenie určené na použitie pri teplote okolia uvedenej v nasledujúcej tabuľke.
- Klimatická trieda je uvedená na typovom štítku. Výrobok nemusí správne fungovať pri teplotách mimo uvedeného rozsahu.
- Klimatická trieda je uvedená na produktovom štítku.

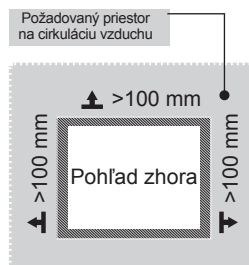
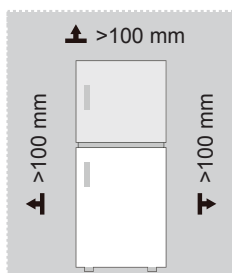
### Efektívny rozsah teploty

- Výrobok je určený na bežnú prevádzku pri rozsahu teplôt podľa príslušnej klasifikačnej triedy.

Trieda	Symbol	Rozsah okolitej teploty v °C	
		IEC 62552 (ISO 15502)	ISO 8561
Rozšírená teplota	SN	+10 až +32	+10 až +32
Teplota	N	+16 až +32	+16 až +32
Subtrópy	ST	+16 až +38	+18 až +38
Trópy	T	+16 až +43	+18 až +43

### Rozmery a odstupy

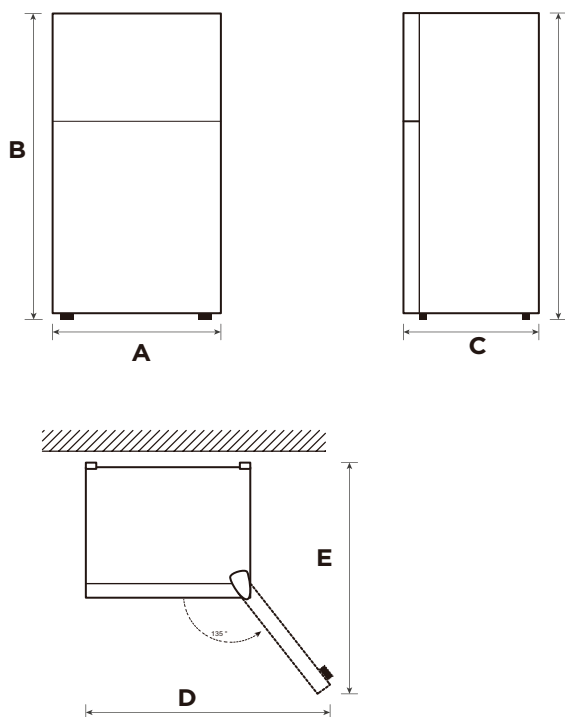
- Dôsledkom príliš malej vzdialenosti od susedných predmetov by mohlo byť zníženie mraziacej výkonnosti a zvýšenie nákladov za elektrinu. Pri inštalácii spotrebiča nechajte vzdialenosť viac ako 100 mm od každej susednej steny.



### UPOZORNENIE

Hore znázornený obrázok je len ilustračný. Skutočná konfigurácia závisí od reálneho výrobku alebo vyhlásenia distribútora.

Schéma priestorových nárokov (keď sú dvere otvorené a keď sú dvere zatvorené)



SK

Šírka	Celková výška	Hĺbka	Šírka s dverami otvorenými na 135°	Hĺbka s dverami otvorenými na 135°
A	B	C	D	E
550	1430	550	902	1052

Upozornenie: Všetky rozmery sú v mm



## Vyrovnávacia noha

Prístroj sa musí vyrovať, aby nedochádzalo k vibráciám.

Podľa potreby nastavte vyrovnávacie skrutky tak, aby kompenzovali nerovnosti podlahy.

Predná strana by mala byť o niečo vyššie ako zadná, aby sa uľahčilo zatváranie dvierok.

Vyrovnávacie skrutky sa dajú ľahko otáčať po miernom naklonení skrine.

Otáčaním vyrovnávacích skrutiek proti smeru hodinových ručičiek  sa prístroj zdvihne, v smere hodinových ručičiek  sa spustí.

## Premiestňovanie spotrebiča

1. Vyberte všetky potraviny zvnútra spotrebiča.
2. Vytiahnite zástrčku napájania zo zásuvky, zaveste ju na určený háčik na zadnej alebo hornej strane spotrebiča a upevnite ju.
3. Pohyblivé diely ako poličky a rukoväti dvierok upevnite páskou, aby pri premiestňovaní nevypadli.
4. Spotrebič premiestňujte opatrne a využite pomoc aspoň dvoch osôb. Keď prepravujete spotrebič na väčšiu vzdialenosť, udržiajte ho v zvislej polohe.
5. Po umiestnení spotrebiča zasuňte zástrčku napájania do zásuvky, aby ste mohli spotrebič zapnúť.

### UPOZORNENIE

Hore znázornený obrázok je len ilustračný. Skutočná konfigurácia závisí od reálneho výrobku alebo vyhlásenia distribútora.



## Výmena pravých-ľavých dvierok(voliteľné)

Podľa toho, na akom mieste plánujete používať svoju chladničku, môže byť pre vás pohodlnejšie, keď sa otváranie dvierok otočí.

### VAROVANIE

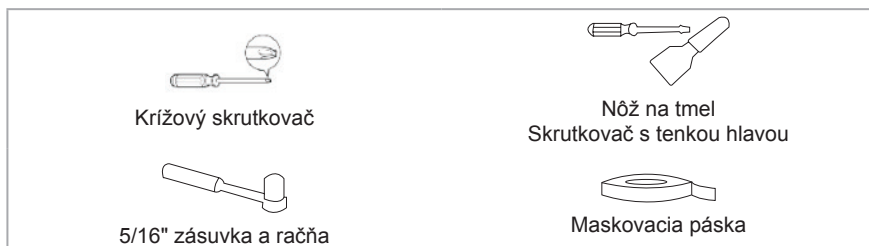
VAROVANIE: Aby ste predišli zraneniu alebo poškodeniu svojho majetku, odporúčame, aby vám niekto pri otáčaní otvárania dverí pomáhal.

Príprava na otočenie polohy dvierok

Budete potrebovať: Plochý skrutkovač, skrutkovač Phillips (krížový) a priložený maticový kľúč Allen.

- Skontrolujte, či je chladnička odpojená od napájania a prázdna.
- Zavolajte si niekoho, kto vám bude pri práci pomáhať.
- Odložte si všetky diely, ktoré demontujete, aby ste ich neskôr mohli použiť.

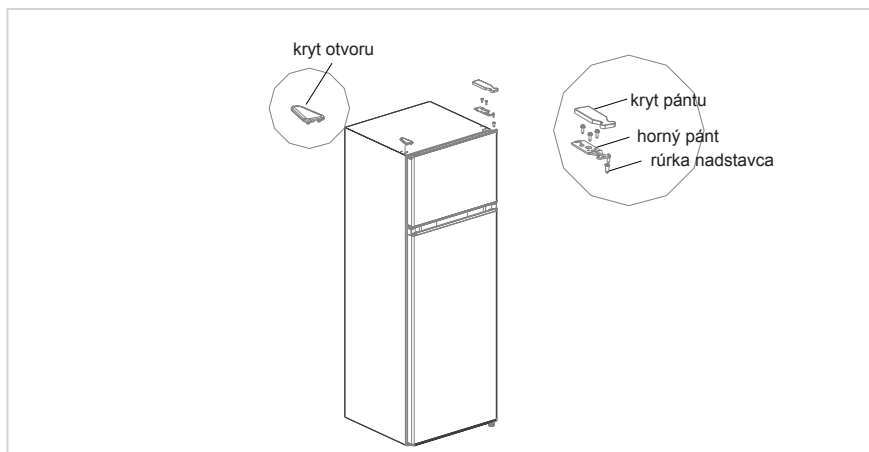
### Nástroje potrebné na výmenu dvierok:



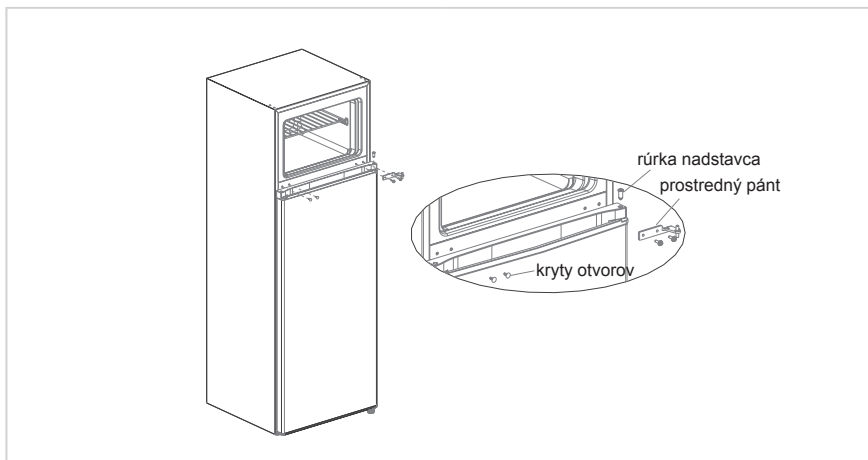
SK

### Krok

1. Vypnite chladničku a vytiahnite všetky veci zo zásobníkov na dverách.
2. Odnímate kryt horného pántu, horný pánt, objímku dvierok mrazničky a uzáver otvoru na druhej strane.

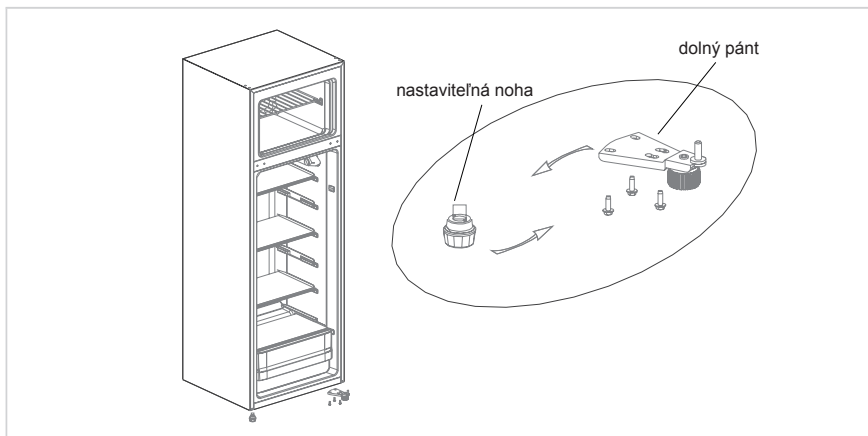


3. Odnímte dverka mraziacej komory, stredný pánt, objímku dvierok chladničky a uzávery otvorov na druhej strane.

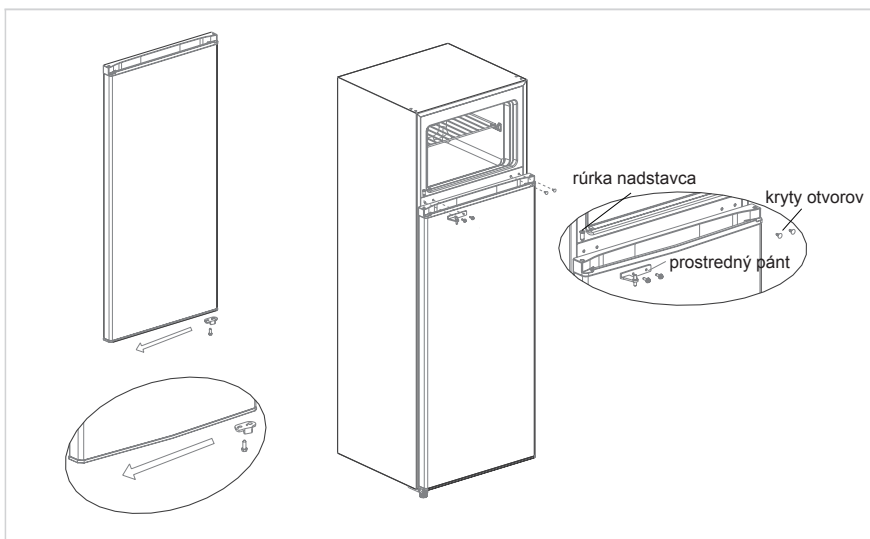


4. Dajte dole dverka chladničky, odnámte dolný pánt a nastaviteľnú nohu na druhej strane.
5. Zmontujte zostavu dolného pántu a nastaviteľnú nohu na druhej strane.

SK

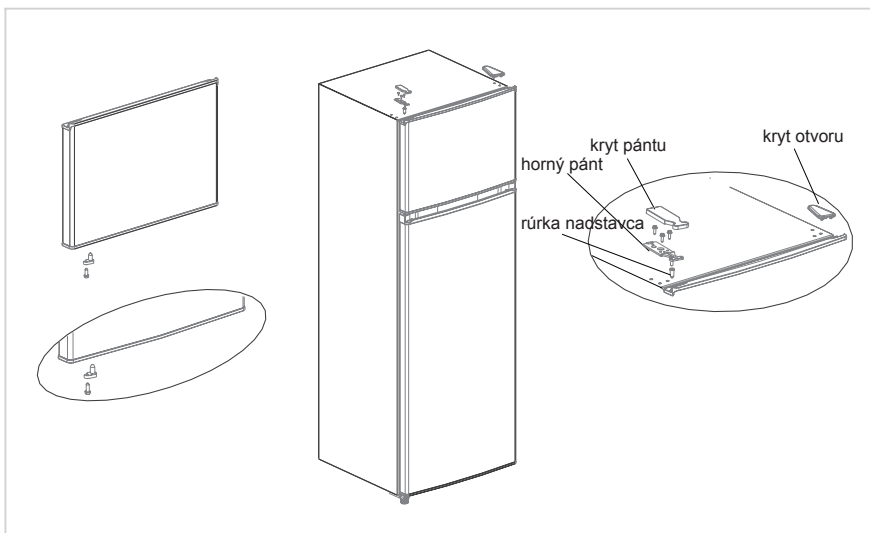


6. Namontujte zarážku dverí chladničky na druhej strane.
7. Nasadte dverka chladničky na dolný pánt, namontujte stredný pánt, uzávery otvorov a objímku dvierok chladničky.



8. Vyberte záračku dvierok mrazničky z balenia príslušenstva a namontujte ju na druhú stranu dvierok mrazničky.
9. Vyberte pravý horný pánt, kryt pravého horného pántu z balenia príslušenstva; nasadte dvierka mrazničky na stredný pánt, vložte objímku do otvoru na pánt vľavo hore na dverách, namontujte horný pánt a kryt horného pántu a potom pripevnite uzáver otvoru na druhú stranu chladničky.

SK



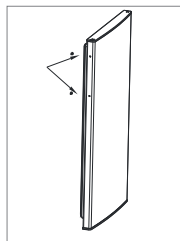
#### ● UPOZORNENIE

Hore znázornený obrázok je len ilustračný. Skutočná konfigurácia závisí od reálneho výrobku alebo vyhlásenia distribútora.

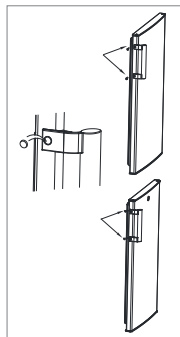
## Osvetlenie inštalácie kľučky dverí (voliteľné)

Poznámka: Obrázky uvedené v návode na obsluhu sú len ilustračné. Skutočný vzhľad výrobku sa líšiť. Chladničku je potrebné odpojiť od zdroja elektrickej energie pred tým, než budete inštalovať príslušenstvo.

Krok 1: Vytiahnite dva zástrčkové kolíky z dverí (bočná strana dverí otvorená)



Krok 2: Namontujte kľučku dverí na dvere a pripevnite ju skrutkami

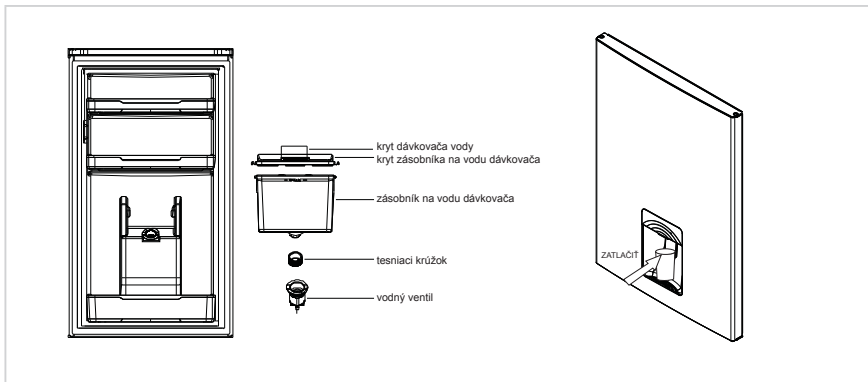


Krok 3: Nasadte kryty skrutiek do otvorov pre skrutky

\* Hore znázornený obrázok je len ilustračný. Skutočná konfigurácia závisí od skutočného výrobku alebo vyhlásenia distribútora.

## Použitie dávkovača vody (voliteľné)

1. Najprv otvorte kryt prívodu vody, naplňte pitnú vodu po značku „MAX“, ktorou je vyznačené ako maximálne množstvo vody.
2. Pohárom zatlačte spínač, voda vytečie. Keď sa spínač vráti do pôvodnej polohy, voda sa zastaví.
3. Dávkovač vody je možné použiť len na čistú vodu, nie je vhodný na nápoje ani ovocné šťavy.



# POKYNY NA POUŽÍVANIE

## Zapnutie spotrebiča

Nastavenie „Off“: spotrebič vypnutý

Nastavenie „Min“: menej chladné

Nastavenie „Med“ alebo „MID“: bežná prevádzka (vhodné pre väčšinu situácií)

Nastavenie „Max“: najnižšia teplota

- Pri vysokých teplotách okolia, napríklad počas horúcich letných dní. Môže byť potrebné nastaviť termostat na najchladnejšie nastavenie (poloha „Max“). V dôsledku toho môže byť kompresor nepretržite v prevádzke na udržanie nízkej teploty v komore.
- Pri prvej inštalácii chladničky nastavte gombík termostatu do polohy „Med“. Pred pridaním potravín nechajte chladničku úplne vychladiť. Ideálne je počkať 24 hodín a potraviny pridať až potom. Gombík termostatu ovláda teplotu. Keď je gombík termostatu nastavený do polohy OFF, chladnička nie je v činnosti.

## Tipy na uchovávanie potravín v spotrebiči

Varené mäso/ryby by sa mali vždy skladovať na policičke nad surovým mäsom/rybami, aby sa zabránilo prenosu baktérií. Surové mäso/ryby skladujte v nádobe, ktorá je dostatočne veľká na to, aby zachytávala šťavy a správne ich zakrývala. Nádobu uložte do najspodnejšej policičky.

- Okolo jedla nechajte dostatočný priestor, aby vo vnútri spotrebiča mohol cirkulovať vzduch. Zaisťte, aby všetky časti spotrebiča boli chladné.
- Aby ste zabránili prenosu pachov a vysušeniu, zabaľte alebo zakryte jedlo osobitne. Ovocie a zelenina nemusia byť zabalené.
- Pred vložením do spotrebiča vždy nechajte predvarené jedlo vychladnúť. Vďaka tomu sa bude lepšie udržiavať vnútorná teplota v spotrebiči.
- Aby ste zabránili úniku studeného vzduchu zo spotrebiča, pokúste sa obmedziť počet otvorení dverí. Odporúčame otvárať dvere len vtedy, keď potrebujete vložiť alebo vytiahnuť potraviny.

## Výmena žiarovky

Výmena žiarovky odborníkmi.

Poradie	TYP priehradky	Cieľová skladovacia tepl. [°C]	Vhodné potraviny
1	Chladnička	+2 ~ +8	Vajička, varené potraviny, balené potraviny, ovocie a zelenina, mliečne výrobky, zákusky, nápoje a iné potraviny nevhodné na zmrazenie.
2	(***)*-Mraznička	≤-18	Morské plody (ryby, krevety, mäkkýše), sladkovodné produkty a mäsové výrobky (odporúčané na 3 mesiace, čím dlhšie trvá skladovanie, tým horšia je chuť a nutričná hodnota), vhodné na mrazenie čerstvých potravín.
3	***-Mraznička	≤-18	Morské plody (ryby, krevety, mäkkýše), sladkovodné produkty a mäsové výrobky (odporúčané na 3 mesiace, čím dlhšie trvá skladovanie, tým horšia je chuť a nutričná hodnota), vhodné na mrazenie čerstvých potravín.
4	** -Mraznička	≤-12	Morské plody (ryby, krevety, mäkkýše), sladkovodné produkty a mäsové výrobky (odporúčané na 3 mesiace, čím dlhšie trvá skladovanie, tým horšia je chuť a nutričná hodnota), vhodné na mrazenie čerstvých potravín.
5	*-Mraznička	≤-6	Morské plody (ryby, krevety, mäkkýše), sladkovodné produkty a mäsové výrobky (odporúčané na 3 mesiace, čím dlhšie trvá skladovanie, tým horšia je chuť a nutričná hodnota), vhodné na mrazenie čerstvých potravín.
6	0 hviezdíček	-6 ~ 0	Čerstvé bravčové, hovädzie, ryby, kuracie mäso, niektoré balené spracované potraviny atď. (odporúča sa zjesť v ten istý deň, najlepšie nie viac ako 3 dni). Čiastočne uzavreté spracované potraviny (potraviny, ktoré sa nezmrazujú).
7	Okolo nuly	-2 ~ +3	Čerstvé/mrazené bravčové, hovädzie, hydina, produkty z čistej vody atď. (7 dní pod 0 °C a nad 0 °C sa odporúča skonzumovať ešte v ten istý deň, ideálne nie dlhšie ako 2 dni). Morské plody (pod 0 na 15 dní, nie je vhodné skladovať nad 0 °C).
8	Čerstvé potraviny	0 ~ +4	Čerstvé bravčové, hovädzie, ryby, kuracie mäso, varené jedlo atď. (Odporúča sa jesť v ten istý deň, najlepšie nie dlhšie ako 3 dni)
9	Víno	+5 ~ +20	Červené víno, biele víno, šumivé víno atď.

## UPOZORNENIE

rôzličné potraviny, ktoré si zakúpate, skladujte v rôznych priehradkách alebo podľa cieľovej skladovacej teploty.

# ČISTENIE A ÚDRŽBA

## Odmrazovanie

- Vypnite chladničku.
- Vytiahnite z chladničky jedlo a správne ho odložte, aby sa neroztopilo.
- Vyčistite odtokové potrubie (použite mäkké materiály, aby ste nepoškodili vložku). Pripravte nádoby na vodu na rozmrazenie. (Venujte pozornosť vyčisteniu odtokovej vaničky vody v priestore kompresora, aby nedošlo k prepadu na zem).
- Na urýchlenie rozmrazovania môžete použiť aj príslušné množstvo horúcej vody, po rozmrazení vodu utrite suchou utierkou.
- Na urýchlenie rozmrazovania môžete použiť aj príslušné množstvo horúcej vody, po rozmrazení vodu utrite suchou utierkou.
- Po rozmrazení vložte potraviny späť dovnútra a zapnite chladničku.

## Zastavenie používania

### Výpadok energie:

V prípade výpadku prúdu (aj v lete), môžete potraviny vo vnútri spotrebiča uchovávať niekoľko hodín. Počas výpadku energie je potrebné redukovať počet otvorení dverí a do spotrebiča sa už nesmú dávať čerstvé potraviny.

### Dlhodobé nepoužívanie:

Spotrebič je potrebné odpojiť a vyčistiť. Dvere treba nechať otvorené, aby nevznikal zápach.

### Presúva sa:

Zafixujte páskou oddiely, držiak na zeleninu, zásuvky mraziacej komory atď. a zatiahnite vyrovnávacie nožičky. Zatvorte dvere a zafixujte ich páskou. Počas premiestňovania nesmie byť spotrebič položený hore dnom ani vodorovne, nesmie ani vibrovať. Sklon počas premiestňovania nesmie byť väčší ako 45°.

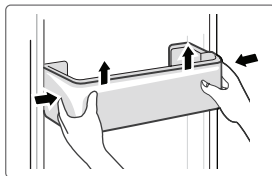
### UPOZORNENIE

Po spustení musí spotrebič bežať nepretržite. Prevádzka spotrebiča sa spravidla nesmie prerušiť, inak by sa mohla znížiť jeho životnosť.

V prípade výpadku energie sú potraviny chránené niekoľko hodín dokonca aj v lete; odporúča sa menej často otvárať dvierka.

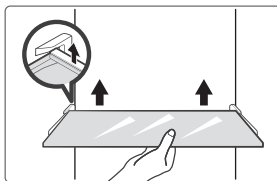
## Čistenie zásobníka na dverách

- Podľa smerovej šípky na obrázku nižšie stlačte zásobník dvoma rukami a vytlačte ho smerom hore, aby sa dal vytiahnuť.
- Po umytí zásuvky môžete jej inštaláciu výšku upraviť podľa svojich požiadaviek.



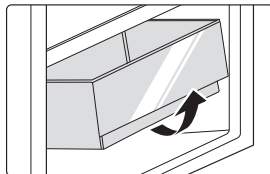
## Čistenie sklenených políc

- Pretože najvnútornejšia časť vložky chladničky, v ktorej je kontakt s policami, má spätný doraz, zdvihnete police smerom hore a potom ju budete môcť vybrať.
- Upravte alebo vyčistite policičky podľa svojich potrieb.



## Čistenie priehradky na zeleninu

1. Vyberte obsah priehradky. Držte rukoväť priehradky na zeleninu a úplne ju vytiahnite, kým sa nezastaví.
2. Zdvihnite priehradku na zeleninu nahor a ťahom ju vyberte von.



## UPOZORNENIE

Na čistenie sa odporúčajú mäkké uteráky alebo špongia namočená vo vode a neagresívne neutrálne čistiace prostriedky. Mraznička sa nakoniec vyčistí čistou vodou a suchou handričkou. Pred opätovným zapnutím otvorte dvere a nechajte prirodzene vyschnúť. Nepoužívajte tvrdé kefy, čistiace ocelové guľôčky, drôtené kefy, abrazívne prostriedky (napríklad zubné pasty), organické rozpúšťadlá (napríklad alkohol, acetón, banánový olej atď.), vriacu vodu, kyslé ani zásadité predmety, ktoré môžu poškodiť povrch chladničky a interiér.



# ODSTRAŇOVANIE PROBLÉMOV

Nasledujúce jednoduché problémy dokáže vyriešiť samotný používateľ. Ak sa problémy nepodarí vyriešiť, obráťte sa na oddelenie popredajných služieb.

Problém	Možná príčina
Porucha prevádzky	<ul style="list-style-type: none"><li>• Skontrolujte, či je spotrebič zapojený do zásuvky a či má zástrčka dobrý kontakt.</li></ul>
	<ul style="list-style-type: none"><li>• Skontrolujte, či nie je napätie nízke.</li></ul>
	<ul style="list-style-type: none"><li>• Skontrolujte, či nedošlo k výpadku napájania alebo či nedošlo k poruche číastkových obvodov.</li></ul>
Zápach	<ul style="list-style-type: none"><li>• Zapáchajúce potraviny je potrebné tesne uzavrieť.</li></ul>
	<ul style="list-style-type: none"><li>• Skontrolujte, či v chladničke nie sú zhnité potraviny.</li></ul>
	<ul style="list-style-type: none"><li>• Vyčistite vnútro chladničky.</li></ul>
Dlhodobá prevádzka kompresora	<ul style="list-style-type: none"><li>• Dlhá prevádzka chladničky je normálna v lete, keď je okolitá teplota vysoká.</li></ul>
	<ul style="list-style-type: none"><li>• Neodporúča sa mať v spotrebiči súčasne príliš veľa jedla.</li></ul>
	<ul style="list-style-type: none"><li>• Jedlo musí byť pred vložením do spotrebiča vychladnuté.</li></ul>
	<ul style="list-style-type: none"><li>• Dvere sa otvárajú príliš často.</li></ul>
Svetlá nesvietia	<ul style="list-style-type: none"><li>• Skontrolujte, či je chladnička pripojená k zdroju napájania a či nie je poškodený svetelný indikátor.</li></ul>
	<ul style="list-style-type: none"><li>• Svetlo musí vymieňať odborník.</li></ul>
Je možné, že dvierka nie sú dobre zatvorené	<ul style="list-style-type: none"><li>• Dvere sú držané balíkmi potravín. Vložené príliš veľké množstvo potravín.</li></ul>
	<ul style="list-style-type: none"><li>• Chladnička je naklonená.</li></ul>
Hlasné zvuky	<ul style="list-style-type: none"><li>• Skontrolujte, či je podlaha rovná a či je chladnička umiestnená stabilne.</li></ul>
	<ul style="list-style-type: none"><li>• Skontrolujte, či je príslušenstvo umiestnené na správnom mieste.</li></ul>

SK

Problém	Možná příčina
Dvere netesnia	<ul style="list-style-type: none"> <li>• Odstráňte cudzorodé predmety z tesnenia dverí.</li> <li>• Zahrejte tesnenie dverí a potom ho ochladte na obnovenie (alebo ho oúfknite fénom alebo na zahriatie použite horúci uterák).</li> </ul>
Pretečenie zásobníka na vodu	<ul style="list-style-type: none"> <li>• V komore je príliš veľa jedla alebo skladované potraviny obsahujú príliš veľa vody, čo vedie k silnému rozmrazovaniu.</li> <li>• Dvere nie sú správne zatvorené, čo vedie k zamrznutiu v dôsledku vstupu vzduchu a zvýšeniu množstva vody v dôsledku rozmrazovania.</li> </ul>
Horúci povrch	<ul style="list-style-type: none"> <li>• Cez kryt dochádza k vyžarovaniu tepla zo vstavaného kondenzora, toto je normálne. Ak sa kryt spotrebiča rozhorúči kvôli vysokej teplote prostredia, nie je vhodné skladovať príliš veľa potravín, lebo kompresor sa môže vypnúť. Uľahčite rozptyl tepla vhodným vetraním.</li> </ul>
Kondenzácia na povrchu	<ul style="list-style-type: none"> <li>• Kondenzácia na vonkajšom povrchu a tesnení dverí chladničky je normálna, keď je okolitá vlhkosť príliš vysoká. Jednoducho utrite kondenzát čistým uterákom.</li> </ul>
Nezvyčajný hluk	<ul style="list-style-type: none"> <li>• Bzučanie: Kompresor môže počas prevádzky vydávať bzučanie a tieto zvuky sú hlasné, najmä pri štarte alebo zastavení. Je to normálny jav.</li> <li>• Vŕzganie: Chladivo prúdiace vo vnútri spotrebiča môže vydávať vŕzganie, čo je normálne.</li> </ul>

# DOKUMENTÁCIA A CERTIFIKÁTY

## Vyhĺasenie o zhode

Týmto potvrdzujeme, že nasledujúce názvy modelov a názvy modelov značky Midea si navzájom zodpovedajú.

Značka	Model Midea	Marketingový model	Model podľa výrobcu
Midea	HD-273FN	MDRT294FGE01	CE-BCD210CM-JQ
Midea	HD-273FN	MDRT294FGE50	CE-BCD210CM-JQ
Midea	HD-273FN	MERT210FGE01	CE-BCD210CM-JQ
Midea	HD-273FN	MERT210FGE50	CE-BCD210CM-JQ

Názov výrobcu: Guangzhou Midea Hualing Refrigerator Co., Ltd.  
Adresa výrobcu: No. 5 Xinguangsi Road, Qianfeng Zhujiang, Nansha District, Guangzhou City, Guangdong Province, P.R.China

SK

My, Guangzhou Midea Hualing Refrigerator Co., Ltd., týmto vyhlasujeme, že vyššie uvedené produkty spĺňajú podmienky vyššie uvedených aktuálne platných predpisov a noriem.

# PRÍLOHA

## Špeciálne pre novú európsku normu

V nasledujúcej tabuľke sú uvedené diely, ktoré je možné objednať prostredníctvom poskytovateľa servisu.

Objednávaný diel	Poskytuje	Minimálny čas potrebný na poskytnutie
Termostaty	Profesionálny pracovník údržby	Najmenej 7 rokov po uvedení posledného modelu na trh
Snímače teploty	Profesionálny pracovník údržby	Najmenej 7 rokov po uvedení posledného modelu na trh
Dosky s plošnými spojmi	Profesionálny pracovník údržby	Najmenej 7 rokov po uvedení posledného modelu na trh
Svetelný zdroj	Profesionálny pracovník údržby	Najmenej 7 rokov po uvedení posledného modelu na trh
Rukováti dverí	Profesionálni opravári a koncoví používatelia	Najmenej 7 rokov po uvedení posledného modelu na trh
Pánty dverí	Profesionálni opravári a koncoví používatelia	Najmenej 7 rokov po uvedení posledného modelu na trh
Podnosy	Profesionálni opravári a koncoví používatelia	Najmenej 7 rokov po uvedení posledného modelu na trh
Koše	Profesionálni opravári a koncoví používatelia	Najmenej 7 rokov po uvedení posledného modelu na trh
Tesnenia dverí	Profesionálni opravári a koncoví používatelia	Najmenej 10 rokov po uvedení posledného modelu na trh

## Vážení zákazníci

1. Ak chcete výrobok vrátiť alebo vymeniť, obráťte sa na obchod, v ktorom ste ho kúpili. (Nezabudnite priniesť doklad o zakúpení)
2. Ak sa váš výrobok pokazí a je potrebné ho opraviť, kontaktujte poskytovateľa popredajného servisu.

## UPOZORNENIE

Informácie o modeli v databáze produktov a identifikátor modelu je možné získať prostredníctvom webového prepojenia naskenovaného pomocou kódu QR, ak je uvedený na štítku energetickej účinnosti výrobku.

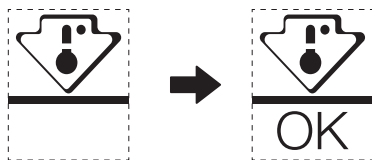
Ďalšie informácie o energetickej účinnosti spotrebiča nájdete na stránke <https://ec.europa.eu> a vyhľadajte si podrobnosti podľa názvu modelu.

Názov modelu sa nachádza na typovom štítku spotrebiča.

## Najchladnejšia zóna v chladničke

### VOLITEĽNÝ DOPLNOK: indikátor teploty – OK

- Indikátor teploty – OK je možné použiť na určenie, či je teplota pod +4 °C. Teplotu je možné postupne znižovať, ak indikátor nezobrazuje „OK“.



- Ak chcete zaistiť teplotu v tejto oblasti, nemeňte umiestnenie police. Pre chladničky s núteným obehom vzduchu (vybavené ventilátorom alebo modely bez mrazenia) symbol najchladnejšej zóny nie je znázornený, pretože teplota vo vnútri je homogénna.

### Nastavenie indikátora teploty

- V rámci dobrého nastavenia je chladnička vybavená indikátorom teploty, ktorý bude sledovať priemernú teplotu v najchladnejšej zóne.
- VÝSTRAHA:** Tento indikátor je určený len pre vašu chladničku, nepoužívajte ho v inej chladničke (v skutočnosti najchladnejšia zóna nie je rovnaká) ani na žiadne iné účely.

SK

### Overenie teploty v najchladnejšej zóne

- Vďaka indikátoru teploty môžete pravidelne kontrolovať, či je teplota v najchladnejšej zóne správna. Vnútorná teplota chladničky v skutočnosti závisí od niekoľkých faktorov, ako je teplota okolia v miestnosti, množstvo uložených potravín a frekvencia otvárania dverí. Pri nastavení spotrebiča zoberte tieto faktory do úvahy.
- Keď indikátor ukazuje «OK», znamená to, že termostat je dobre nastavený a vnútorná teplota je správna.
- Ak sa indikátor teploty zmení na BIELY, znamená to, že teplota je príliš vysoká; v takom prípade zvýšte nastavenie ovládania teploty chladničky a počkajte 12 hodín pred vykonaním novej vizuálnej kontroly indikátora. Po vložení čerstvých potravín alebo ponechaní otvorených dvierok je možné, že sa ukazovateľ teploty po chvíli zmení na BIELY.

## **PORUKA ZAHVALNOSTI**

Hvala vam što ste izabrali kompaniju Midea! Pre upotrebe svog novog Midea proizvoda, pažljivo pročitajte ovo uputstvo da biste se uverili da znate kako da na bezbedan način koristite karakteristike i funkcije koje vaš novi uređaj nudi.

# SADRŽAJ

<b>PORUKA ZAHVALNOSTI</b>	01
<b>SPECIFIKACIJE</b>	02
<b>PREGLED PROIZVODA</b>	03
<b>POSTAVLJANJE PROIZVODA</b>	04
<b>UPUTSTVO ZA UPOTREBU</b>	11
<b>ČIŠĆENJE I ODRŽAVANJE</b>	13
<b>REŠAVANJE PROBLEMA</b>	15
<b>DOKUMENTACIJA I SERTIFIKATI</b>	17
<b>DODATAK</b>	18

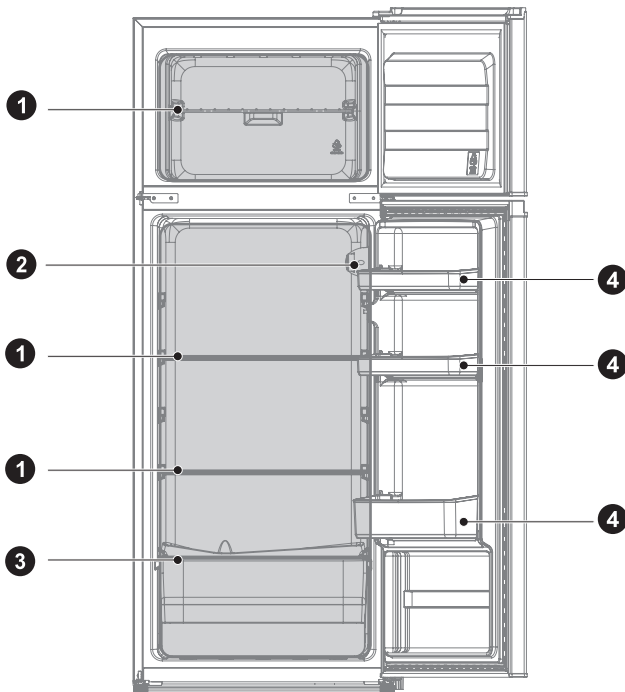
# SPECIFIKACIJE

<b>Model proizvoda</b>	<b>MDRT294FGE01/MDRT294FGE50/ MERT210FGE01/MERT210FGE50</b>
Zapremina odeljka za čuvanje sveže hrane	163 L
Zapremina odeljka za čuvanje zamrznute hrane	41 L
Tip odmrzavanja	Ručno odmrzavanje
Vreme rasta temperature	8 h
Kapacitet zamrzavanja	2,0 kg/24h
Nominalni napon	220-240 V~
Nazivna jačina struje	0,5 A
Ukupne dimenzije (V x Š x D)	1430x550x550 mm

SR

# PREGLED PROIZVODA

## Nazivi komponenti



- 1 Polica
- 2 Termostat

- 3 Fioka za voće i povrće
- 4 Polica za vrata

### ● PAŽNJA

Slika iznad služi samo za referencu. Stvarna konfiguracija će zavisiti od kupljenog proizvoda ili izjave distributera.



# POSTAVLJANJE PROIZVODA

## Uputstvo za postavljanje

### Za uređaje za hlađenje sa klimatskom klasom

- U zavisnosti od klimatske klase, ovaj uređaj za hlađenje predviđen je za upotrebu u opsezima temperature okruženja navedenim u sledećoj tabeli.
- Klimatsku klasu možete da pronađete na pločici sa specifikacijama. Proizvod ne može ispravno da funkcioniše na temperaturama van navedenog opsega.
- Klimatsku klasu možete da pronađete na nalepnici proizvoda.

### Efektivni opseg temperature

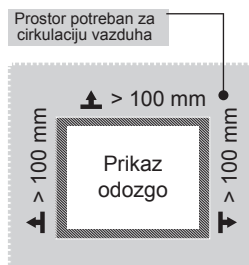
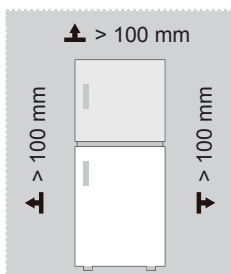
- Proizvod je projektovan tako da normalno radi u opsegu temperature koji je naveden u specifikacijama klase.

Klasa	Simbol	Opseg temperature okoline °C	
		IEC 62552 (ISO 15502)	ISO 8561
Proširena umerena	SN	+ 10 do + 32	+ 10 do + 32
Umerena	N	+ 16 do + 32	+ 16 do + 32
Subtropska	ST	+ 16 do + 38	+ 18 do + 38
Tropska	T	+ 16 do + 43	+ 18 do + 43

SR

### Dimenzije i razmaci

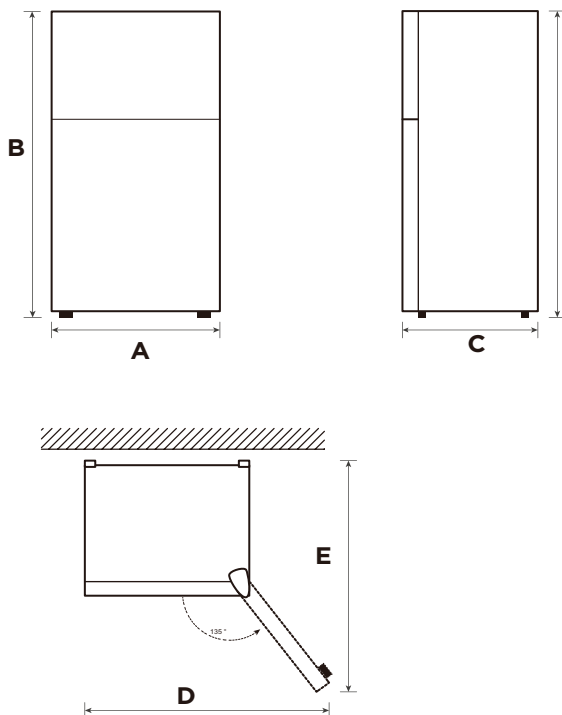
- Ako je udaljenost od susjednih predmeta premala, može doći do umanjnja sposobnosti zamrzavanja i povećanja troškova električne energije. Prilikom postavljanja uređaja ostavite više od 100 mm razmaka od svakog susjednog zida.



### ● PAŽNJA

Slika iznad služi samo za referencu. Stvarna konfiguracija će zavisiti od kupljenog proizvoda ili izjave distributera.

Dijagram potrebnog prostora (kada su vrata otvorena i zatvorena)



SR

Širina	Ukupna visina	Dubina	Širina kada su vrata otvorena pod uglom od 135°	Dubina kada su vrata otvorena pod uglom od 135°
A	B	C	D	E
550	1430	550	902	1052

Napomena: Sve dimenzije u mm



## Stopice za nivelisanje

Da bi se izbegle vibracije, uređaj mora biti nivelisan.

Ako je potrebno, podesite zavrtnje za nivelisanje da biste kompenzovali neravan pod.

Prednji deo treba da bude nešto viši od zadnjeg da bi se lakše zatvorila vrata.

Zavrtnji za nivelisanje mogu lako da se okreću ako se kućičke malo nagne.

Okrećite zavrtnje za nivelisanje suprotno smeru kazaljke na satu  da biste podigli uređaj ili u smeru kazaljke na satu  da biste ga spustili.

## Premeštanje uređaja

1. Uklonite svu hranu iz unutrašnjosti uređaja.
2. Izvucite utikač za napajanje, umetnite i pričvrstite na kuku za utikač na zadnjoj strani ili na vrhu uređaja.
3. Zalepite delove kao što su police i ručka na vratima da ne bi pali dok premeštate uređaj.
4. Uređaj pažljivo premeštajte uz pomoć jedne ili više osoba. Kada transportujete uređaj na velike udaljenosti, uređaj mora biti u uspravnom položaju.
5. Nakon instaliranja uređaja, priključite utikač u utičnicu da biste uključili uređaj.

### PAŽNJA

Slika iznad služi samo za referencu. Stvarna konfiguracija će zavisiti od kupljenog proizvoda ili izjave distributera.

SR

## Promena vrata desno-levo(opciono)

U zavisnosti od lokacije na kojoj planirate da koristite frižider, možda će vam biti zgodnije da promenite stranu otvaranja vrata.

### OPREZ

OPREZ: Da se ne biste povredili ili da biste izbegli oštećenje imovine, preporučujemo da vam neko pomogne tokom promene strane otvaranja vrata.

Priprema za promenu strane otvaranja vrata

Potrebni su: Standardni odvijač, Phillips odvijač i priloženi imbus ključ.

- Uverite se da je vaš frižider isključen i prazan.
- Neka vam neko pomogne tokom ovog postupka.
- Sačuvajte sve delove koje uklonite da biste ih kasnije ponovo postavili.

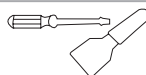
### Alati potrebni za promenu strane otvaranja vrata:



Krstasti odvijač



Gedora 5/16"



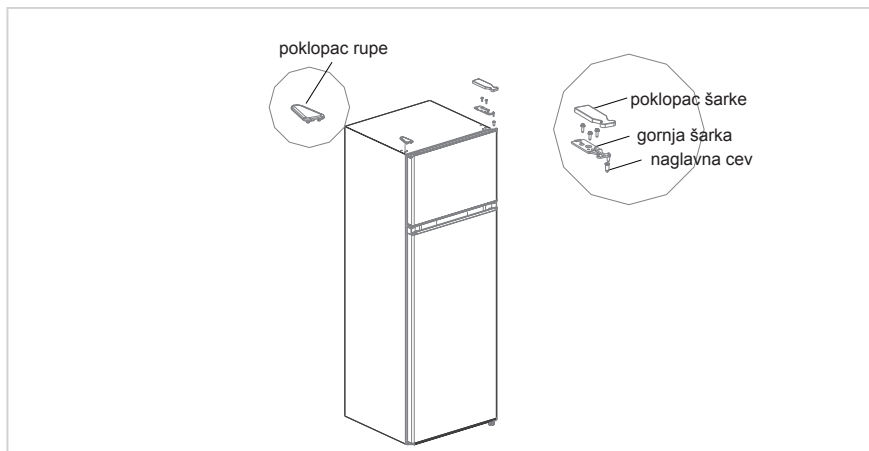
Špahtla  
Ravni odvijač



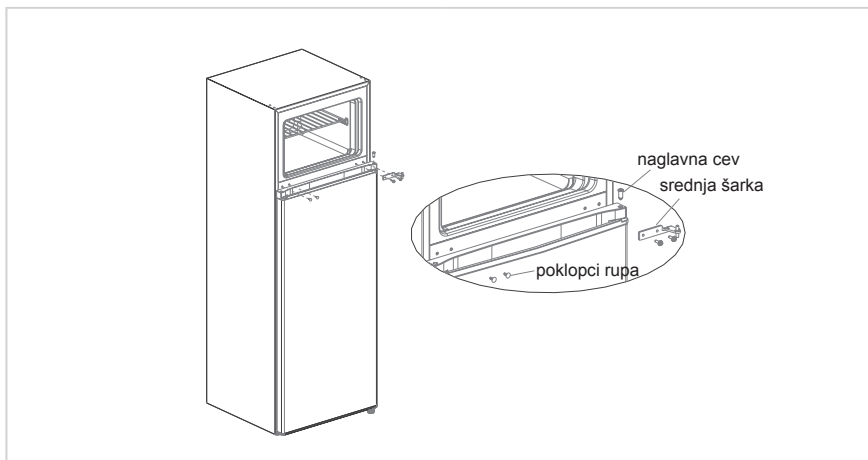
Papirna lepljiva traka

### Korak

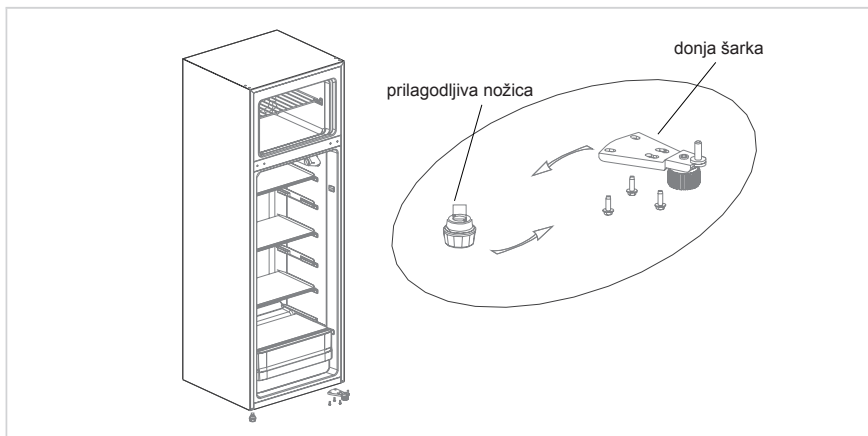
1. Isključite frižider i uklonite sve predmete sa polica na vratima.
2. Skinite poklopac gornje šarke, gornju šarku, naglavnu cev vrata zamrzivača i poklopac rupe sa druge strane.



3. Skinite vrata komore za zamrzavanje, srednju šarku, naglavnu cev vrata frižidera i poklopce rupa sa druge strane.

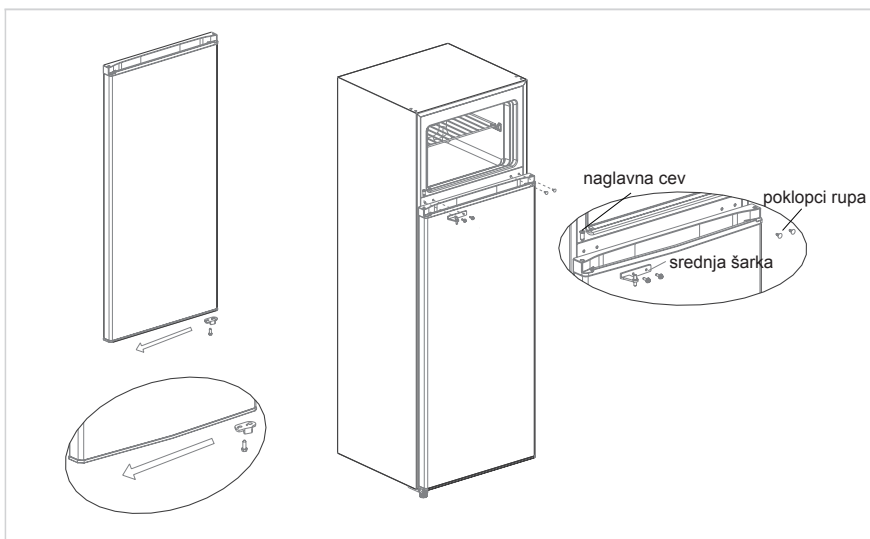


4. Uklonite vrata frižidera, uklonite donju šarku i prilagodljivu nožicu sa druge strane.
5. Postavite sklop donje šarke i prilagodljivu nožicu sa druge strane.



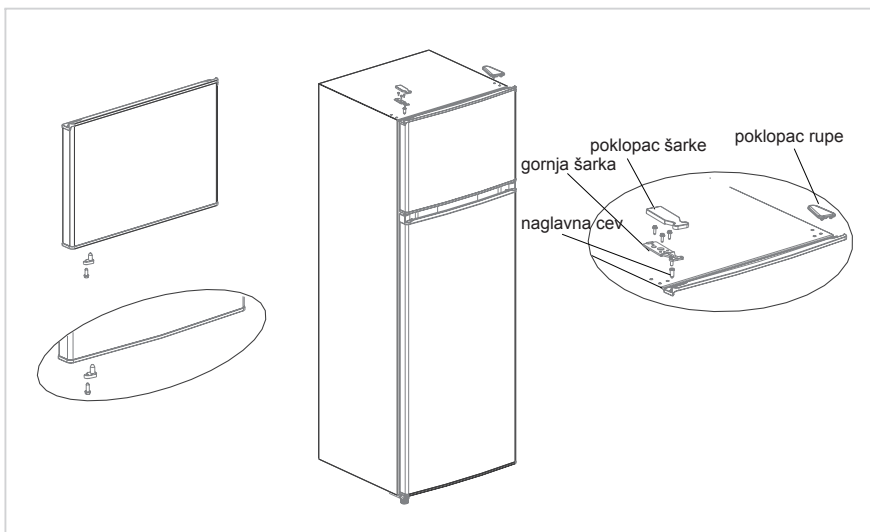
6. Postavite odbojnik vrata frižidera sa druge strane.
7. Stavite vrata frižidera na donju šarku, postavite srednju šarku, poklopce rupa i naglavnu cev vrata frižidera.

SR



8. Izvadite odbojnik vrata zamrzivača iz paketa dodatne opreme i postavite ga sa druge strane vrata zamrzivača.
9. Izvadite desnu gornju šarku, poklopac desne gornje šarke iz paketa dodatne opreme; stavite vrata zamrzivača na srednju šarku, umetnite naglavnu cev u rupu za šarku u gornjem levom uglu vrata, postavite gornju šarku i poklopac gornje šarke, a zatim pričvrstite poklopac rupe sa druge strane frižidera.

SR



**PAŽNJA**

Slika iznad služi samo za referencu. Stvarna konfiguracija će zavisiti od kupljenog proizvoda ili izjave distributera.

## Postavljanje ručica vrata (opciono)

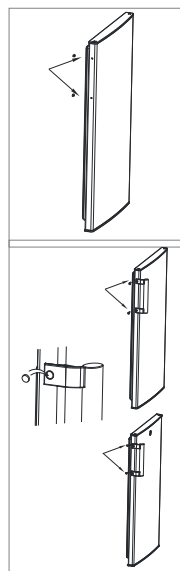
Napomena: Slike u korisničkom uputstvu služe samo kao referenca. Stvarni proizvod može malo da se razlikuje. Frižider mora da bude isključen iz izvora električne energije pre nego što pokušate postavljanje dodatne opreme.

Korak 1: izvadite dva čepa iz vrata (strana vrata koja je otvorena)

Korak 2: Postavite ručicu na vrata i pričvrstite je zavrtnjima

Korak 3: Postavite poklopce za zavrtnje u rupe za zavrtnje na ručici

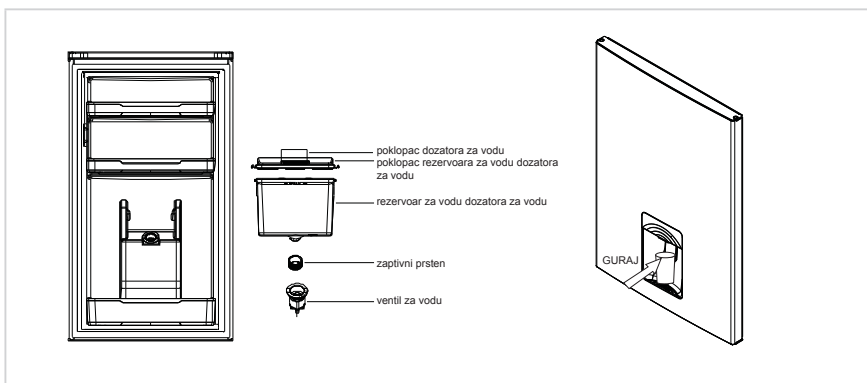
\* Slika iznad služi samo kao referenca. Stvarna konfiguracija će zavisiti od fizičkog proizvoda ili izjave distributera



SR

## Upotreba dozatora za vodu (opciono)

1. Prvo otvorite poklopac za dovod vode, a zatim sipajte pijaću vodu do oznake „MAX“, koja označava maksimalnu količinu vode.
2. Da bi voda tekla, gurnite jezičak ka unutra šoljom. Kada se jezičak vrati u prvobitni položaj, voda se zaustavlja.
3. Dozator za vodu se može koristiti samo za čistu vodu i nije pogodan za pića ili voćne sokove.



# UPUTSTVO ZA UPOTREBU

## Uključivanje jedinice

Ako podesite na „Off“: jedinica je isključena

Ako podesite na „Min“: ne mnogo niska temperatura

Ako podesite na „Med“ ili „MID“: normalan rad (pogodno za većinu situacija)

Ako podesite na „Max“: najniža temperatura

- Pri visokim temperaturama okruženja, npr. tokom vrelih letnjih dana, možda će biti potrebno podesiti termostat na najhladnije podešavanje (pozicija „Max“). To može dovesti do neprekidnog rada kompresora kako bi se održala niska temperatura u kućištu.
- Kada prvi put postavite frižider, podesite dugme termostata na „Med“. Pustite frižider da se potpuno ohladi pre nego što u njega stavite hranu. Najbolje je da sačekate 24 sata pre nego što dodate hranu. Temperatura se kontroliše dugmetom termostata. Kada je dugme za kontrolu termostata podešeno na vrednost „OFF“, frižider ne radi.

## Saveti o držanju hrane u jedinici

Kuvano meso ili ribu uvek treba čuvati na polici iznad sirovog mesa ili ribe da ne bi došlo do prenosa bakterija. Držite sirovo meso ili ribu u posudi koja je dovoljno velika da prikupi sokove i dobro je pokrijte. Stavite posudu na najnižu policu.

- Ostavite prostor oko hrane kako biste omogućili cirkulaciju vazduha u jedinici. Uverite se da su svi delovi jedinice hladni.
- Da biste sprečili mešanje ukusa i isušivanje, zapakujte ili pokrijte svaku namirnicu pojedinačno. Voće i povrće ne morate da umotavate.
- Obavezno pustite da se kuvana hrana ohladi pre nego što je stavite u jedinicu. Time ćete pomoći da se održi unutrašnja temperatura u jedinici.
- Da biste sprečili izlazak hladnog vazduha iz jedinice, pokušajte da vrata otvarate što manje. Preporučujemo vam da vrata otvarate samo kada treba da stavite ili izvadite hranu.

## Zamena sijalice

Lampe treba da menjaju obučena lica.



Redosled	TIPOVI pregrada	Ciljna temp. čuvanja [°C]	Odgovarajuća hrana
1	Frižider	+2 ~ +8	Jaja, kuvana hrana, pakovana hrana, voće i povrće, mlečni proizvodi, torte, pića i druga hrana nisu pogodni za zamrzavanje.
2	(***)*-Zamrzivač	≤ -18	Morski plodovi (riba, škampi, ljuskari), slatkovodni proizvodi i mesni proizvodi (preporučeno 3 meseca; što je vreme čuvanja duže, to su ukus i hranljiva vrednost lošiji), pogodno za smrznute sveže namirnice.
3	***-Zamrzivač	≤ -18	Morski plodovi (riba, škampi, ljuskari), slatkovodni proizvodi i mesni proizvodi (preporučeno 3 meseca; što je vreme čuvanja duže, to su ukus i hranljiva vrednost lošiji), pogodno za smrznute sveže namirnice.
4	** -Zamrzivač	≤ -12	Morski plodovi (riba, škampi, ljuskari), slatkovodni proizvodi i mesni proizvodi (preporučeno 3 meseca; što je vreme čuvanja duže, to su ukus i hranljiva vrednost lošiji), pogodno za smrznute sveže namirnice.
5	*-Zamrzivač	≤ -6	Morski plodovi (riba, škampi, ljuskari), slatkovodni proizvodi i mesni proizvodi (preporučeno 3 meseca; što je vreme čuvanja duže, to su ukus i hranljiva vrednost lošiji), pogodno za smrznute sveže namirnice.
6	0 zvezdica	-6 ~ 0	Sveža svinjetina, govedina, riba, piletina, određena pakovana gotova i polugotova hrana itd. (preporučuje se konzumacija istog dana, po mogućstvu posle najviše 3 dana). Delimično enkapsulirana gotova i polugotova hrana (hrana koja se ne zamrzava).
7	Hlađenje	-2 ~ +3	Sveža/zamrznuta svinjetina, govedina, piletina, slatkovodni proizvodi itd. (7 dana ispod 0 °C, dok se pri čuvanju iznad 0 °C preporučuje konzumacija istog dana, po mogućstvu posle najviše 2 dana). Morski plodovi (niže od 0 °C u periodu od 15 dana, ne preporučuje se čuvanje iznad 0 °C).
8	Sveža hrana	0 ~ +4	Sveža svinjetina, govedina, riba, piletina, kuvana hrana itd. (preporučuje se konzumacija istog dana, po mogućstvu posle najviše 3 dana).
9	Vino	+5 ~ +20	Crveno vino, belo vino, šampanjac itd.

SR

### ● PAŽNJA

Čuvajte različite vrste namirnica u odgovarajućim pregradama ili u skladu sa ciljnom temperaturom skladištenja kupljenih proizvoda.

# ČIŠĆENJE I ODRŽAVANJE

## Odmrzavanje

- Isključite frižider.
- Uklonite hranu iz frižidera i stavite je na odgovarajuće mesto da ne bi došlo do otapanja.
- Očistite odvodnu cev (koristite meke materijale da ne biste oštetili oblogu), a zatim pripremite posude za vodu koje ćete koristiti tokom odmrzavanja. (Obavezno očistite tacnu za odvod vode odeljka za kompresor i vodite računa da se voda ne prospe na pod).
- Možete i da koristite odgovarajuću količinu tople vode da biste ubrzali odmrzavanje i da suvim peškirom pokupite vodu nakon odmrzavanja.
- Možete i da koristite odgovarajuću količinu tople vode da biste ubrzali odmrzavanje i da suvim peškirom pokupite vodu nakon odmrzavanja.
- Nakon odmrzavanja vratite namirnice u kućište i uključite frižider.

## Prestanak korišćenja

### Nestanak struje:

U slučaju nestanka struje, čak i ako je to leti, hrana unutar uređaja može da se sačuva nekoliko sati; tokom nestanka struje, učestalost otvaranja vrata treba smanjiti i više ne stavljati svežu hranu u uređaj.

### Dugotrajno nekorišćenje:

Uređaj treba isključiti i zatim očistiti; zatim ostaviti vrata otvorena kako bi se sprečio neprijatan miris.

### Premeštanje:

pregrade, držač za povrće, fioke komore za zamrzavanje itd. pričvrstite trakom i zategnite stopice za nivelisanje; zatvorite vrata i oblepite ih trakom. Tokom premeštanja, uređaj ne sme da se postavlja naopako ili horizontalno, niti da se trese; nagib tokom kretanja ne sme biti veći od 45°.

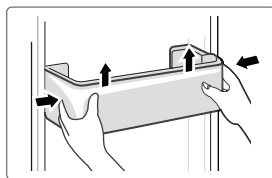
### PAŽNJA

Uređaj će neprekidno raditi nakon što se pokrene. U načelu, rad uređaja ne sme da se prekida, u suprotnom se radni vek može smanjiti.

U slučaju nestanka struje, namirnice se mogu održati nekoliko sati čak i leti; preporučljivo je smanjiti učestalost otvaranja vrata.

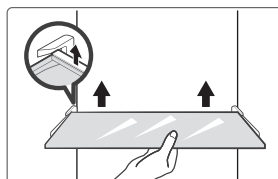
## Čišćenje police za vrata

- Prema strelici smera na donjoj slici, sa obe ruke gurnite policu nagore, a zatim je možete izvaditi.
- Nakon pranja police koju ste izvadili, možete da podesite njenu visinu postavljanja prema svojim potrebama.



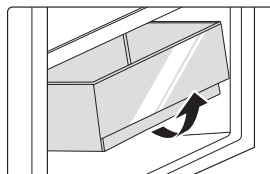
## Čišćenje staklene police

- Kako najdublji unutrašnji deo podloge frižidera gde kontakt sa policama ima graničnik, morate da podignete police nagore, a zatim ih možete izvaditi.
- Podesite ili očistite police prema vašim potrebama.



## Čišćenje fioke za povrće

1. Uklonite sadržaj fioke. Držite ručicu fioke za povrće i izvlačite fioku dok se ne zaustavi.
2. Podignite fioku za povrće i uklonite je tako što ćete je izvući.



SR

### ● PAŽNJA

Za čišćenje se preporučuju meki peškiri ili sunđer umočeni u vodu i nekorozivni neutralni deterdženti. Zamrzivač se mora na kraju očistiti čistom vodom i obrisati suvom krpom. Otvorite vrata za prirodno sušenje pre nego što se uključi napajanje. Nemojte koristiti tvrde četke, čelične kuglice za čišćenje, žičane četke, abrazivna sredstva (kao što su paste za zube), organske rastvarače (kao što su alkohol, aceton, ulje banane, itd.), ključalu vodu, kisele ili alkalne predmete da očistite frižider s obzirom da to može da ošteti površinu i unutrašnjost frižidera.

# REŠAVANJE PROBLEMA

Sledeće jednostavne probleme može da reši korisnik. Ukoliko u tome ne uspete, pozovite postprodajno servisno odeljenje.

Problem	Mogući razlog
Uređaj ne radi	• Proverite da li je uređaj priključen na napajanje ili da li je utikač dobro priključen
	• Proverite da li je napon preizak
	• Proverite da li postoji prekid napajanja ili isključenje delimičnih kola
Miris	• Hranu koja odaje miris treba dobro umotati
	• Proverite da li ima trulih namirnica
	• Očistite unutrašnjost frižidera
Dugotrajni rad kompresora	• Dugotrajni rad frižidera je normalan leti kada je temperatura okoline visoka
	• Ne stavljajte previše hrane u uređaj odjednom
	• Hrana treba da se ohladi pre stavljanja u uređaj
	• Vrata se prečesto otvaraju
Svetlo se ne pali	• Proverite da li je frižider priključen na napajanje i da li je svetlo oštećeno
	• Neka svetlo zameni obučena osoba
Vrata se ne mogu dobro zatvoriti	• Vrata su zaglavljena paketima hrane Stavljeno je previše hrane
	• Frižider je nagnut
Jaka buka	• Proverite da li je pod ravan i da li je frižider stabilno postavljen
	• Proverite da li je dodatna oprema pravilno postavljena

Problem	Mogući razlog
Zaptivka vrata nije čvrsta	<ul style="list-style-type: none"> <li>• Uklonite strane materije na zaptivki vrata</li> <li>• Zagrejte zaptivku vrata, a zatim je ohladite za obnovu (ili je izduvajte električnim sušačem ili koristite vrući peškiri za zagrevanje)</li> </ul>
Posuda za vodu se preliva	<ul style="list-style-type: none"> <li>• U odeljku ima previše hrane ili skladištena hrana sadrži previše vode, što dovodi do jačeg odmrzavanja</li> <li>• Vrata nisu dobro zatvorena, što dovodi do stvaranja ledenih naslaga, zbog ulaska vazduha i povećanja vode zbog odmrzavanja</li> </ul>
Vruće kućište	<ul style="list-style-type: none"> <li>• Toplota se odvodi sa ugrađenog kondenzatora putem kućišta, što je uobičajeno. Kada se kućište pregreje zbog povišene temperature okruženja, prevelike količine uskladištene hrane ili isključivanja kompresora, obezbedite adekvatnu ventilaciju da biste poboljšali odvođenje toplote</li> </ul>
Površinska kondenzacija	<ul style="list-style-type: none"> <li>• Kondenzacija na spoljašnjoj površini i zaptivkama vrata frižidera je normalna kad je vlažnost okoline prevelika. Dovoljno je da obrišete kondenzat čistim peškirom.</li> </ul>
Neuobičajeni zvuk	<ul style="list-style-type: none"> <li>• Zujanje: Kompresor može da proizvodi zujanje tokom rada, a zujanje je glasno, posebno prilikom pokretanja ili zaustavljanja. To je normalno.</li> <li>• Škripa: Rashladno sredstvo koje teče unutar uređaja može da proizvodi škripu, što je normalno.</li> </ul>

SR

# DOKUMENTACIJA I SERTIFIKATI

## Deklaracija o usaglašenosti

Ovim potvrđujemo da se sledeći tržišni nazivi modela i Midea nazivi modela međusobno podudaraju.

Brend	Midea model	Marketinški model	Fabrički model
Midea	HD-273FN	MDRT294FGE01	CE-BCD210CM-JQ
Midea	HD-273FN	MDRT294FGE50	CE-BCD210CM-JQ
Midea	HD-273FN	MERT210FGE01	CE-BCD210CM-JQ
Midea	HD-273FN	MERT210FGE50	CE-BCD210CM-JQ

Naziv proizvođača: Guangzhou Midea Hualing Refrigerator Co., Ltd.

Adresa proizvođača: No. 5 Xinguangsi Road, Qianfeng Zhujiang, Nansha District, Guangzhou City, Guangdong Province, NR Kina

Mi, Guangzhou Midea Hualing Refrigerator Co., Ltd., ovim izjavljujemo da su gorenavedeni proizvodi u skladu sa gorenavedenim trenutno važećim propisima i standardima.

# DODATAK

## Posebno za novi evropski standard

Poručene delove navedene u sledećoj tabeli možete nabaviti od dobavljača usluga

Naručeni deo	Dostavlja	Minimalno vreme potrebno za pružanje usluge
Termostati	Stručno osoblje za održavanje	Najmanje 7 godina od stavljanja posljednjeg modela na tržište
Senzori temperature	Stručno osoblje za održavanje	Najmanje 7 godina od stavljanja posljednjeg modela na tržište
Štampane ploče	Stručno osoblje za održavanje	Najmanje 7 godina od stavljanja posljednjeg modela na tržište
Izvori osvetljenja	Stručno osoblje za održavanje	Najmanje 7 godina od stavljanja posljednjeg modela na tržište
Ručice vrata	Profesionalni serviseri i krajnji korisnici	Najmanje 7 godina od stavljanja posljednjeg modela na tržište
Šarke vrata	Profesionalni serviseri i krajnji korisnici	Najmanje 7 godina od stavljanja posljednjeg modela na tržište
Tacne	Profesionalni serviseri i krajnji korisnici	Najmanje 7 godina od stavljanja posljednjeg modela na tržište
Korpe	Profesionalni serviseri i krajnji korisnici	Najmanje 7 godina od stavljanja posljednjeg modela na tržište
Zaptivke vrata	Profesionalni serviseri i krajnji korisnici	Najmanje 10 godina od stavljanja posljednjeg modela na tržište

## Poštovani kupci

1. Ako želite da vratite ili zamenite proizvod, kontaktirajte prodavnicu u kojoj ste kupovali. (Ne zaboravite da ponesete račun za kupovinu)
2. Ako se vaš proizvod pokvari i treba da se popravi, kontaktirajte pružaoca postprodajne usluge.

### PAŽNJA

Informacije o modelu u bazi podataka o proizvodima, kao i identifikator modela, mogu se saznati na linku koji se otvara kada se skenira QR kôd na nalepnici o energetske efikasnosti na proizvodu.

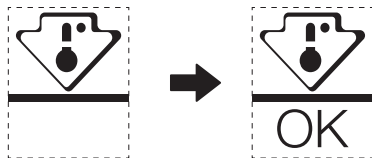
Dodatne informacije o energetske efikasnosti uređaja potražite na veb-sajtu <https://ec.europa.eu> i pretražite ga koristeći naziv modela.

Naziv modela možete da pronađete na nalepnici uređaja.

## Najhladnija zona u frižideru

### OPCIJA: Indikator temperature OK

- Indikator temperature OK može da se koristi za određivanje temperatura ispod +4°C. Postepeno smanjite temperaturu ako znak ne pokazuje „OK“.



- Da bi se održavala ujednačena temperatura u ovoj oblasti, nemojte menjati položaj police. Kod frižidera sa protokom vazduha (uređaji sa ventilatorom ili modeli „bez zaleđivanja“) simbola najhladnije zone nema jer je temperatura unutrašnjosti svuda ista.

### Indikator podešavanja temperature

- Da biste dobro podesili frižider, koristite indikator temperature koji prati prosečnu temperaturu u najhladnijoj zoni.
- UPOZORENJE:** Ovaj indikator je projektovan tako da funkcioniše samo sa vašim frižiderom. Nemojte ga koristiti za druge frižidere (najhladnija zona nije ista) niti u druge svrhe.

SR

### Provera temperature u najhladnijoj zoni

- Pomoću indikatora temperature možete redovno da proveravate da li je temperatura u najhladnijoj zoni ispravna. Unutrašnja temperatura frižidera zavisi od nekoliko činilaca, kao što su temperatura okruženja u prostoriji, količina hrane u uređaju i učestalost otvaranja vrata. Uzmite ove činioce u obzir kada podešavate uređaj.
- Kada se na indikatoru pokaže „OK“, to znači da je termostat dobro podešen i da je unutrašnja temperatura ispravna.
- Ukoliko indikator temperature postane BEO, to znači da je temperatura previsoka. U tom slučaju postavite podešavanje temperature frižidera na višu vrednost i sačekajte 12 sati, a zatim ponovo vizuelno proverite indikator. Kada u uređaj stavite sveže namirnice ili ostavite otvorena vrata, moguće je da će indikator temperature postati BEO posle nekog vremena.



## PISMO ZAHVALE

Hvala što ste odabrali Mideu! Prije korištenja novog proizvoda tvrtke Midea temeljito pročitajte ovaj priručnik kako biste bili sigurni da znate na siguran način upravljati značajkama i funkcijama svog novog aparata.

# SADRŽAJ

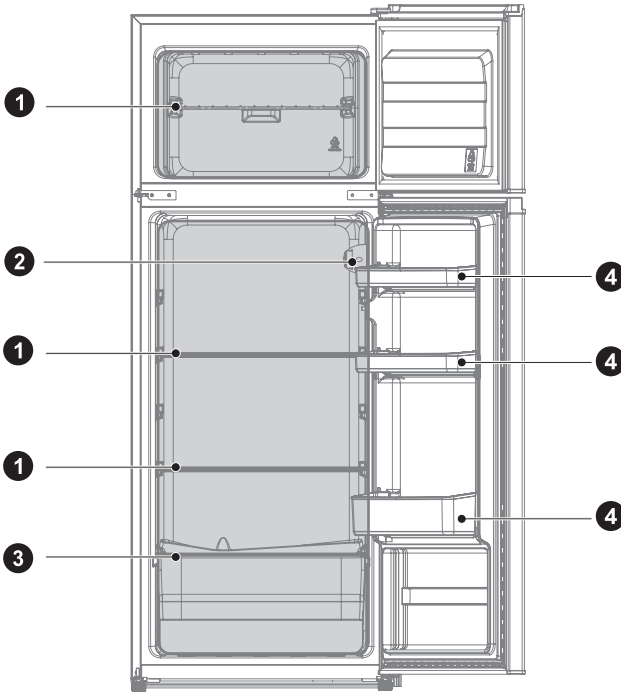
<b>PISMO ZAHVALE</b> .....	01
<b>SPECIFIKACIJE</b> .....	02
<b>PREGLED PROIZVODA</b> .....	03
<b>POSTAVLJANJE PROIZVODA</b> .....	04
<b>UPUTE ZA RAD</b> .....	11
<b>ČIŠĆENJE I ODRŽAVANJE</b> .....	13
<b>RJEŠAVANJE PROBLEMA</b> .....	15
<b>DOKUMENTI I CERTIFIKATI</b> .....	17
<b>DODATAK</b> .....	18

# SPECIFIKACIJE

<b>Model proizvoda</b>	<b>MDRT294FGE01/MDRT294FGE50/ MERT210FGE01/MERT210FGE50</b>
Kapacitet pretinca za pohranu svježe hrane	163 L
Volumen pohrane smerznute hrane	41 L
Vrsta	Ručni odmrzavanje
Vrijeme povećanja temperature	8 h
Kapacitet zamrzavanja	2,0 kg/24h
Nazivni napon	220-240 V~
Nazivna jakost struje	0,5 A
Ukupne dimenzije (V x Š x D)	1430x550x550 mm

# PREGLED PROIZVODA

## Nazivi komponentata



- 1 Polica
- 2 Termostat

- 3 Ladica za voće i povrće
- 4 Plitica u vratima

### ● PAŽNJA

Gornja slika služi samo kao referenca. Stvarna konfiguracija ovisit će o fizičkom proizvodu ili izjavi distributera.

# POSTAVLJANJE PROIZVODA

## Upute za postavljanje

### Za rashladne uređaje s klimatskim razredom

- Ovisno o klimatskom razredu, ovaj rashladni uređaj namijenjen je uporabi u temperaturnim rasponima okoline kako je navedeno u sljedećoj tablici.
- Klimatski razred može se pronaći na natpisnoj pločici. Proizvod možda neće ispravno raditi na temperaturama izvan navedenog raspona.
- Klimatski razred možete pronaći na naljepnici proizvoda.

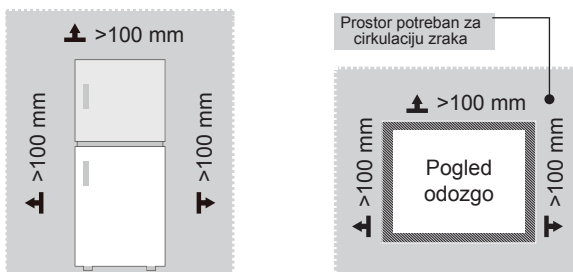
### Učinkovit temperaturni raspon

- Proizvod je konstruiran za normalan rad u temperaturnom rasponu koji je određen ocjenom razreda.

Razred	Simbol	Raspon temperature okoline °C	
		IEC 62552 (ISO 15502)	ISO 8561
Prošireni umjereni	SN	+ 10 do + 32	+ 10 do + 32
Umjereni	N	+ 16 do + 32	+ 16 do + 32
Subtropski	ST	+ 16 do + 38	+ 18 do + 38
Tropski	T	+ 16 do + 43	+ 18 do + 43

### Dimenzije i razmaci

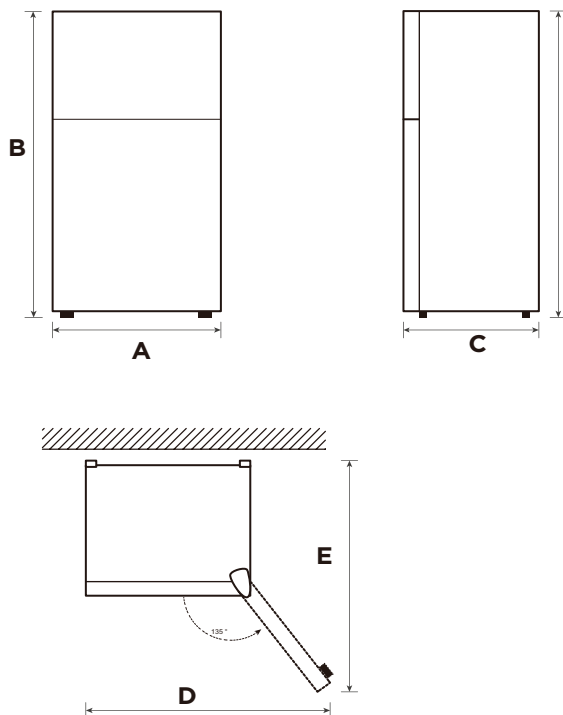
- Premala udaljenost od susjednih predmeta može dovesti do smanjene sposobnosti smrzavanja i povećanih troškova električne energije. Kada ugrađujete aparat, ostavite preko 100 mm razmaka od svakog susjednog zida.



### ● PAŽNJA

Gornja slika služi samo kao referenca. Stvarna konfiguracija ovisit će o fizičkom proizvodu ili izjavi distributera.

Dijagram zahtjeva za prostorom (kada su vrata otvorena i kada su vrata zatvorena)



HR

Širina	Sveukupna visina	Dubina	Širina s vratima otvorenim pod kutom od 135°	Dubina s vratima otvorenim pod kutom od 135°
A	B	C	D	E
550	1430	550	902	1052

Napomena: Sve dimenzije u mm



## Nožice za niveliranje

Kako biste izbjegli vibracije, uređaj treba poravnati.

Ako je potrebno, podesite vijke za poravnavanje kako biste kompenzirali neravnine poda.

Prednja strana treba biti malo viša od stražnje kako bi se olakšalo zatvaranje vrata.

Vijci za niveliranje mogu se lako okrenuti laganim naginjanjem kućišta.

Okrenite vijke za niveliranje u smjeru suprotnom od kazaljke na satu  za podizanje, a u smjeru kazaljke na satu  za spuštanje.

## Premještanje uređaja

1. Uklonite svu hranu iz uređaja.
2. Izvucite utikač, umetnite ga i pričvrstite u kuku utikača na stražnjoj ili gornjoj strani uređaja.
3. Zalijepite dijelove kao što su police i ručka na vratima kako biste spriječili da otpadnu tijekom pomjeranja uređaja.
4. Pažljivo premještajte uređaj s više od dvije osobe. Kada prenosite uređaj na velike udaljenosti, držite ga uspravno.
5. Nakon postavljanja uređaja, uključite utikač u utičnicu kako biste uključili uređaj.

### PAŽNJA

Gornja slika služi samo kao referenca. Stvarna konfiguracija ovisit će o fizičkom proizvodu ili izjavi distributera.

## Promjena lijevih-desnih vrata(opcija)

Ovisno o mjestu na kojem planirate koristiti hladnjak, možda će vam biti zgodnije obrnuti položaj vrata.

### OPREZ

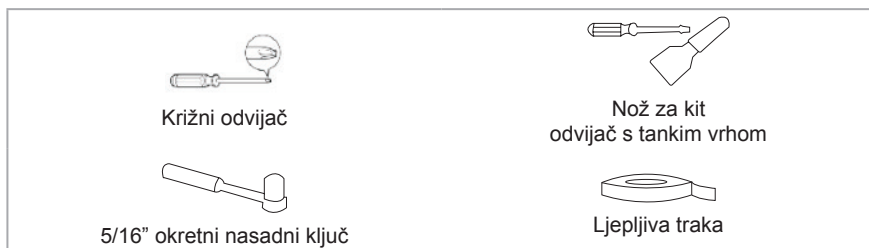
OPREZ: Kako biste izbjegli ozljede ili štetu na imovini, preporučujemo da vam netko pomogne tijekom okretanja vrata.

Priprema za promjenu položaja vrata

Trebate: standardni odvijač, križni odvijač i priloženi imbus ključ.

- Provjerite je li vaš hladnjak isključen i prazan.
- Neka vam netko pomogne.
- Sačuvajte sve dijelove koje ste uklonili kako biste ih kasnije mogli ponovno upotrijebiti.

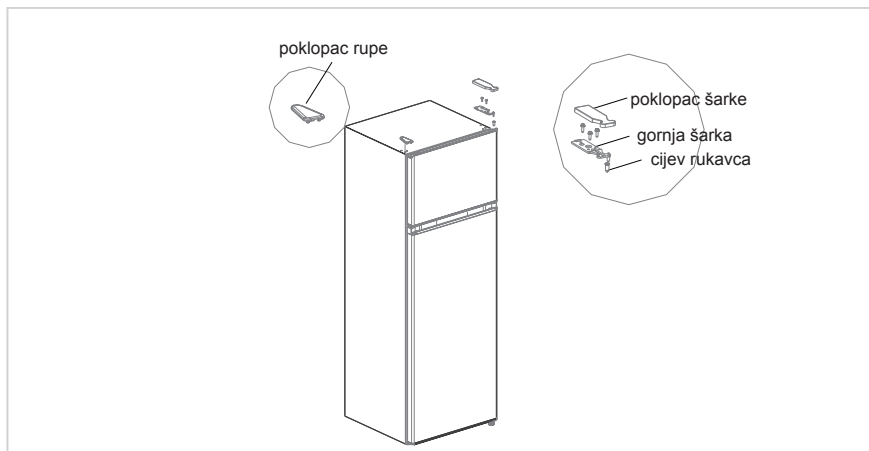
### Alati potrebni za promjenu vrata:



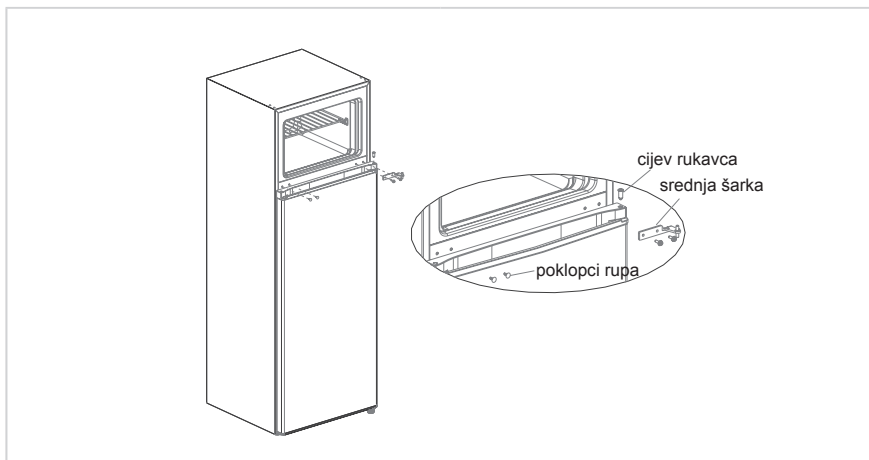
HR

### Korak

1. Isključite hladnjak i uklonite sve predmete s plitica u vratima.
2. Skinite poklopac gornje šarke, gornju šarku, cijev rukavca vrata hladnjaka i poklopac rupe s druge strane.

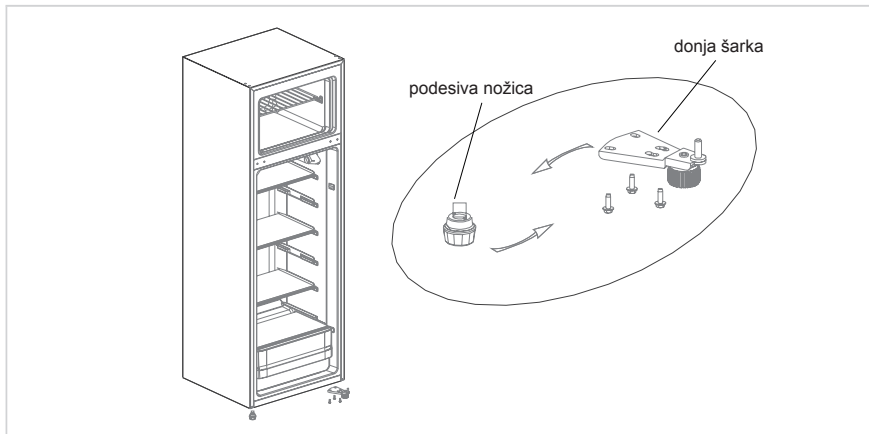


3. Skinite vrata komore zamrzivača, srednju šarku, cijev rukavca vrata hladnjaka i poklopce rupa s druge strane.



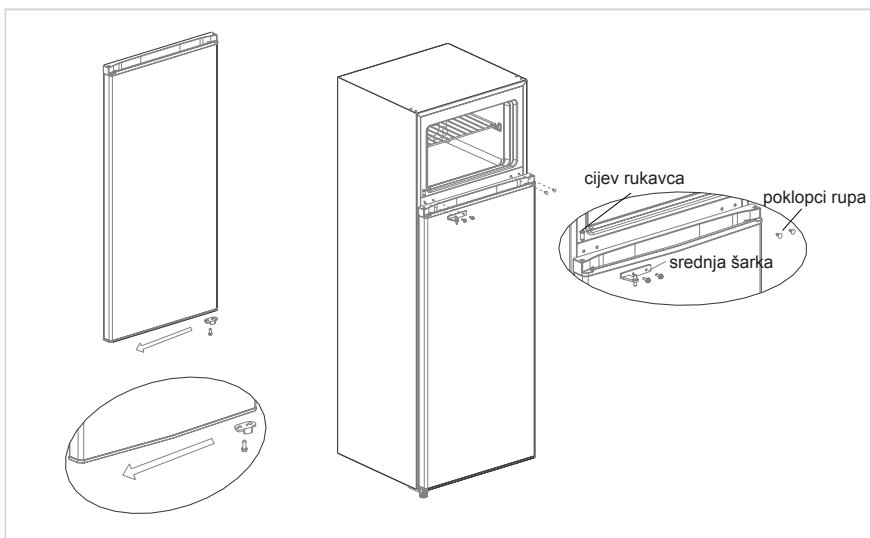
4. Uklonite vrata hladnjaka, uklonite donju šarku i podesivu nožicu s druge strane.
5. Sastavite sklop donje šarke i podesive nožice s druge strane.

HR



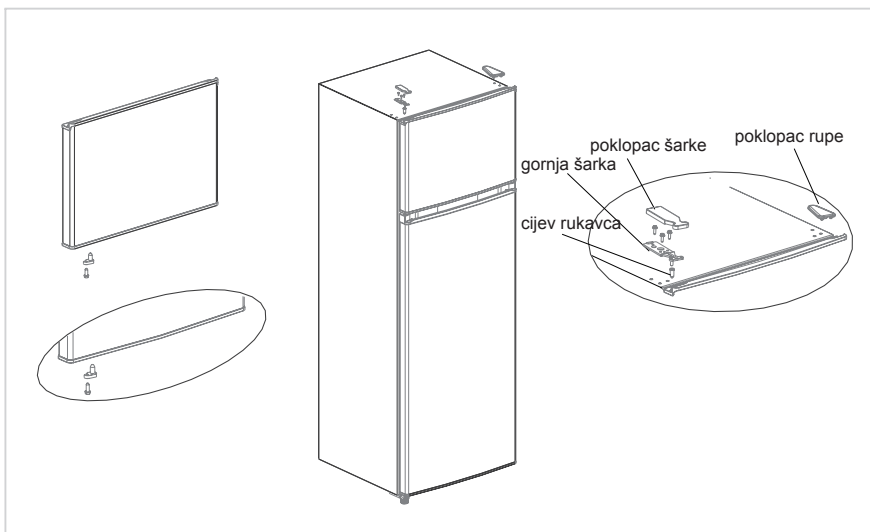
6. S druge strane postavite zapušač vrata hladnjaka.
7. Postavite donja vrata na donju šarku, postavite srednju šarku, čepove rupa i cijev rukavca vrata hladnjaka.





8. Izvadite zapušač vrata zamrzivača iz paketa s priborom i postavite ga na drugu stranu vrata zamrzivača.
9. Izvadite desnu gornju šarku i poklopac desne gornje šarke iz paketa s priborom, postavite vrata zamrzivača na srednju šarku, umetnite cijev rukavca u rupu gornje lijeve šarke vrata postavite gornju šarku i poklopac gornje šarke, a zatim pričvrstite poklopac rupe na drugu stranu hladnjaka.

HR



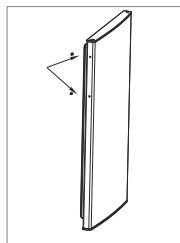
### ● PAŽNJA

Gornja slika služi samo kao referenca. Stvarna konfiguracija ovisit će o fizičkom proizvodu ili izjavi distributera.

## Ugradnja osvjjetljenja ručke na vratima (opcija)

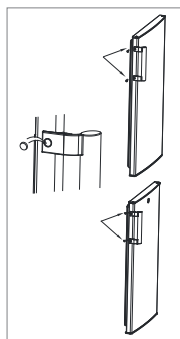
Napomena: Slike u korisničkom priručniku služe samo za referencu. Stvarni proizvod može se neznatno razlikovati. Prije pokušaja ugradnje dodatne opreme hladnjak mora biti odspojen iz izvora električne energije.

1. korak: izvadite dva čepa rupa s vrata (strana otvaranja vrata)



2. korak: Postavite ručku na vrata i pričvrstite je vijcima

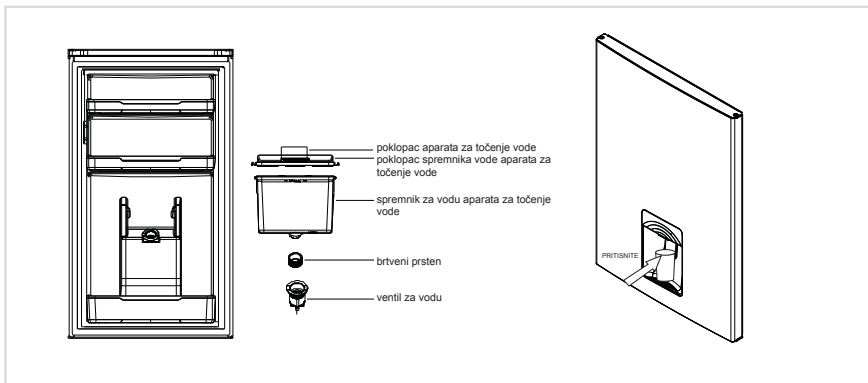
3. korak: Postavite čepove vijaka ručke u otvore za vijke



\* Gornja slika služi samo kao referenca. Stvarna konfiguracija ovisit će o fizičkom proizvodu ili izjavi distributera

## Uporaba aparata za točenje vode (opcija)

1. Najprije otvorite poklopac ulaza vode, napunite ga pitkom vodom do oznake „Max“ koja predstavlja maksimalnu količinu vode.
2. Čašicom pritisnite okidač, nakon čega će isteći voda, a kad se okidač vrati u izvorni položaj, voda će prestati teći.
3. Aparat za točenje vode može se koristiti samo za čistu vodu i nije prikladan za napitke ili voćne sokove.



# UPUTE ZA RAD

## Uključivanje uređaja

Postavka „Off“: uređaj isključen

Postavka „Min“: manje hladna temperatura

Postavke „Med“ ili „MID“: normalan rad (prikladno za većinu situacija)

Postavka „Max“: najhladnija temperatura

- Kad su temperature okoline visoke, npr. tijekom vrućih ljetnih dana. Možda će biti potrebno postaviti termostat na najhladniju postavku (položaj „Max“). Zbog toga bi kompresor mogao stalno raditi kako bi održao nisku temperaturu u kućištu.
- Prvi puta kad postavite hladnjak postavite gumb termostata na „Med“. Ostavite hladnjak da se ohladi prije punjenja hranom. Najbolje je pričekati 24 sata prije punjenja hranom. Gumb termostata kontrolira temperaturu. Kad je gumb za regulaciju termostata postavljen na OFF, hladnjak neće raditi.

## Savjeti za čuvanje hrane u uređaju

Kuhano meso/ribu uvijek treba čuvati na polici iznad sirovog mesa/ribe kako bi se izbjegao prijenos bakterija. Sirovo meso/ribu čuvajte u spremniku koji je dovoljno velik za prikupljanje sokova i koji u potpunosti pokriva hranu. Spremnik postavite na najnižu policu.

- Ostavite prostora oko hrane kako bi zrak mogao kružiti unutar uređaja. Provjerite jesu li svi dijelovi uređaja hladni.
- Kako biste spriječili prijenos okusa i sušenje, zasebno zapakirajte ili pokrijte hranu. Ne morate zamotati voće i povrće.
- Uvijek ostavite da se kuhana hrana ohladi prije nego je stavite u uređaj. Ovo će pomoći u održavanju unutarnje temperature uređaja.
- Kako biste spriječili izlaz hladnog zraka iz uređaja, pokušajte ograničiti otvaranje vrata. Preporučujemo da vrata otvarate samo kada trebate staviti ili izvaditi hranu.

## Zamjena sijalice

Sijalicu trebaju zamijeniti profesionalci.

Narudžba	Tip pretinca	Ciljna temp. pohrane [°C]	Prikladna hrana
1	Hladnjak	+2 ~ +8	Jaja, kuhana hrana, pakirana hrana, voće i povrće, mliječni proizvodi, kolači, pića i druga hrana koja nije prikladna za smrzavanje.
2	(***)*-Zamrzivač	≤-18	Morska hrana (riba, rakovi, školjke), slatkovodni proizvodi i mesni proizvodi (preporučuje se do 3 mjeseca, što je dulje vrijeme čuvanja, to je lošiji okus i prehrambena svojstva), prikladno za smrznutu svježiju hranu.
3	***-Zamrzivač	≤-18	Morska hrana (riba, rakovi, školjke), slatkovodni proizvodi i mesni proizvodi (preporučuje se do 3 mjeseca, što je dulje vrijeme čuvanja, to je lošiji okus i prehrambena svojstva), prikladno za smrznutu svježiju hranu.
4	** -Zamrzivač	≤-12	Morska hrana (riba, rakovi, školjke), slatkovodni proizvodi i mesni proizvodi (preporučuje se do 3 mjeseca, što je dulje vrijeme čuvanja, to je lošiji okus i prehrambena svojstva), prikladno za smrznutu svježiju hranu.
5	*-Zamrzivač	≤-6	Morska hrana (riba, rakovi, školjke), slatkovodni proizvodi i mesni proizvodi (preporučuje se do 3 mjeseca, što je dulje vrijeme čuvanja, to je lošiji okus i prehrambena svojstva), prikladno za smrznutu svježiju hranu.
6	0-zvjezdica	-6 ~ 0	Svježa svinjetina, govedina, riba, piletina, neka pakirana procesirana hrana itd. (Preporučuje se da je pojedete u istom danu, u ne više od 3 dana). Djelomično inkapsulirana procesirana hrana (hrana koja se ne zamrzava).
7	Hlađenje	-2 ~ +3	Svježa zamrznuta svinjetina, govedina, piletina, slatkovodni proizvodi itd. (7 dana ispod 0 °C, a iznad 0 °C preporučuje se za konzumiranje taj dan, u ne više od 2 dana). Morska hrana (15 dana ispod 0 °C, ne preporučuje se čuvanje iznad 0 °C.)
8	Svježa hrana	0 ~ +4	Svježa svinjetina, govedina, riba, piletina, kuhana hrana itd. (Preporučuje se da je pojedete u istom danu, u ne više od 3 dana)
9	Vino	+5 ~ +20	Crno vino, bijelo vino, pjenušac itd.

## PAŽNJA

raznu hranu čuvajte u skladu s pretincima ili ciljanim temperaturama pohrane kupljenog proizvoda.

# ČIŠĆENJE I ODRŽAVANJE

## Odmrzavanje

- Isključite hladnjak.
- Izvadite hranu iz hladnjaka i ispravno je postavite kako se ne bi odmrznula.
- Očistite odvodnu cijev (koristite mekane materijale kako biste spriječili oštećenje obloge), pripremite spremnike za vodu radi odmrzavanja. (svakako očistite pliticu za odvod vode u odjeljku kompresora kako biste izbjegli prelijevanje vode na pod).
- Možete upotrijebiti i odgovarajuću količinu vruće vode za ubrzavanje odmrzavanja. Suhim ručnikom možete osušiti vodu nakon odmrzavanja.
- Možete upotrijebiti i odgovarajuću količinu vruće vode za ubrzavanje odmrzavanja. Suhim ručnikom možete osušiti vodu nakon odmrzavanja.
- Nakon odmrzavanja stavite hranu natrag u ormarić i uključite hladnjak.

## Prestanite upotrebljavati

### Prekid napajanja:

U slučaju nestanka struje, čak i ljeti, hrana unutar uređaja može se držati nekoliko sati; tijekom nestanka struje, vrijeme otvaranja vrata smanjit će se i u uređaj se više neće stavljati svježja hrana.

### Dugotrajna neuporaba:

Uređaj treba isključiti i zatim očistiti; tada vrata ostaju otvorena kako bi se spriječio miris.

### Premještanje:

pregrade, držač povrća, ladice komore za zamrzavanje i slično, te pritegnite nožice za izravnavanje; zatvorite vrata i zabrtvite ih trakom. Tijekom premještanja, uređaj ne smije biti postavljen naopako ili vodoravno niti vibrirati. Nagib tijekom premještanja ne smije biti veći od 45°.

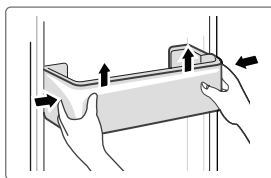
### PAŽNJA

Nakon pokretanja uređaj će neprekidno raditi. Načelno se rad uređaja ne smije prekidati jer se inače vijek njegova trajanja može smanjiti.

U slučaju nestanka struje, čak i tijekom ljeta hrana se neće pokvariti nekoliko sati. U tom slučaju preporučuje se da što manje otvarate vrata.

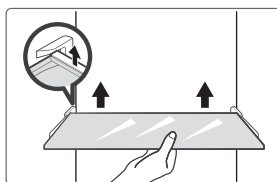
## Čišćenje plitice u vratima

- Prema strelici smjera na donjoj slici, upotrijebite obje ruke ladicu i gurnite je prema gore, a zatim je možete izvaditi.
- Nakon što ste izvadili ladicu nakon što ste je izvadili, možete prilagoditi njezinu visinu ugradnje u skladu sa svojim zahtjevima.



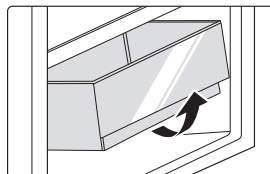
## Čišćenje staklene police

- Kako unutarnji dio obloge hladnjaka gdje kontakt s policama ima zapornicu, podignite police prema gore, a zatim je možete izvaditi.
- Podesite ili očistite police prema vašim zahtjevima.



## Čišćenje ladice za povrće

1. Uklonite sadržaj ladice. Držite ručku ladice za povrće i potpuno je izvucite dok se ne zaustavi.
2. Podignite ladicu za povrće i izvucite je van.



### ● PAŽNJA

Za čišćenje se preporučuju mekani ručni ili spužva umočeni u vodu i nekorozivni neutralni deterdženti. Zamrzivač konačno očistite čistom vodom i suhom krpom. Otvorite vrata za prirodno sušenje prije nego što se napajanje uključi. Ne upotrebljavajte tvrde četke, čiste čelične kuglice, žičane četke, abrazive, kao što su paste za zube, organska otapala (poput alkohola, acetona, banana ulje itd.), kipuću vodu, kiseline ili alkalne predmete čistite hladnjak s obzirom da to može oštetiti površina i unutrašnjost hladnjaka.

# RJEŠAVANJE PROBLEMA

Sljedeće probleme možete pokušati riješiti sami. Ako ne uspijete, molimo da se obratite ovlaštenom servisu.

Problem	Mogući razlog
Neispravan rad	• Provjerite je li uređaj priključen na struju ili je li utikač ima kontakt.
	• Provjerite je li napon prenizak
	• Provjerite postoji li prekid napajanja ili su se isključili djelomični krugovi.
Neugodan miris	• Hrana s mirisom mora biti čvrsto zamotana.
	• Provjerite ima li trule hrane.
	• Očistite unutrašnjost hladnjaka.
Dugotrajni rad kompresora.	• Dugotrajni rad hladnjaka normalan je ljeti kada je temperatura okoline visoka.
	• Nije sugestivno imati previše hrane u uređaju istodobno.
	• Hrana će se ohladiti prije stavljanja u uređaj.
Svjetlo se ne pali	• Provjerite je li hladnjak priključen na napajanje i je li rasvjetno tijelo oštećeno.
	• Zamjenu svjetla prepustite stručnjaku
	• Vrata se prečesto otvaraju.
Vrata se ne mogu pravilno zatvoriti	• Vrata se ne mogu zatvoriti zbog paketa hrane. Previše hrane u hladnjaku.
	• Hladnjak je nagnut.
Glasna buka	• Provjerite je li pod ravan i je li hladnjak stabilno postavljen.
	• Provjerite nalazi li se pribor na ispravnim mjestima

Problem	Mogući razlog
Brtva vrata nije čvrsta	<ul style="list-style-type: none"> <li>• Uklonite strane stvari na brtvi vrata.</li> <li>• Zagrijte brtvu vrata, a zatim je ohladite za restauraciju (ili je ispuhnite električnim sušilom ili koristite vrući ručnik za zagrijavanje).</li> </ul>
Posuda za vodu se prelijeva	<ul style="list-style-type: none"> <li>• U komori ima previše hrane ili skladištena hrana sadrži previše vode, što rezultira jakim odmrzavanjem.</li> <li>• Vrata nisu ispravno zatvorena, što rezultira zamrzavanjem zbog ulaska zraka i povećanom količinom vode zbog odmrzavanja</li> </ul>
Vruće kućište	<ul style="list-style-type: none"> <li>• Odvođenje topline ugrađenog kondenzatora preko kućišta, što je normalno. Kada se kućište zagrije zbog visoke temperature okoline, skladištenja prevelike količine hrane ili isključivanja kompresora, osigurajte zvučnu ventilaciju kako biste olakšali odvođenje topline</li> </ul>
Površinska kondenzacija	<ul style="list-style-type: none"> <li>• Kondenzacija na vanjskoj površini i brtvama vrata hladnjaka normalna je kad je vlažnost okoline previsoka. Dovoljno je obrisati kondenzat čistim ručnikom.</li> </ul>
Neuobičajena buka	<ul style="list-style-type: none"> <li>• Zvuk zujanja: Kompresor može stvarati zvuk zujanja tijekom rada, koji je posebno jak pri pokretanju ili zaustavljanju. To je normalno.</li> <li>• Škripanje: Rashladno sredstvo koje teče unutar uređaja može uzrokovati škripanje što je normalno.</li> </ul>



# DOKUMENTI I CERTIFIKATI

## Izjava o sukladnosti

Ovime potvrđujemo da su sljedeći nazivi modela klijenata jednaki Mideinim nazivima modela.

Robna marka	Midea model	Marketinški model	Tvornički model
Midea	HD-273FN	MDRT294FGE01	CE-BCD210CM-JQ
Midea	HD-273FN	MDRT294FGE50	CE-BCD210CM-JQ
Midea	HD-273FN	MERT210FGE01	CE-BCD210CM-JQ
Midea	HD-273FN	MERT210FGE50	CE-BCD210CM-JQ

Naziv proizvođača: Guangzhou Midea Hualing Refrigerator Co., Ltd.

Adresa proizvođača: No. 5 Xinguangsi Road, Qianfeng Zhujiang, Nansha District, Guangzhou City, Guangdong Province, NR Kina

Mi, Guangzhou Midea Hualing Refrigerator Co., Ltd. ovime izjavljujemo da su gore navedeni proizvodi usklađeni s gore navedenim važećim propisima i standardima.

HR

# DODATAK

## Posebno za novi europski standard

Naručeni dijelovi u sljedećoj tablici mogu se nabaviti putem kanala davatelja usluga

Naručeni dio	Pružatelj	Minimalno vrijeme potrebno za nabavu
Termostati	Stručno osoblje za održavanje	Najmanje 7 godina nakon što je posljednji model lansiran na tržište
Senzori temperature	Stručno osoblje za održavanje	Najmanje 7 godina nakon što je posljednji model lansiran na tržište
Tiskane pločice	Stručno osoblje za održavanje	Najmanje 7 godina nakon što je posljednji model lansiran na tržište
Izvori rasvjete	Stručno osoblje za održavanje	Najmanje 7 godina nakon što je posljednji model lansiran na tržište
Ručke na vratima	Profesionalni serviseri i krajnji korisnici	Najmanje 7 godina nakon što je posljednji model lansiran na tržište
Šarke na vratima	Profesionalni serviseri i krajnji korisnici	Najmanje 7 godina nakon što je posljednji model lansiran na tržište
Plitice	Profesionalni serviseri i krajnji korisnici	Najmanje 7 godina nakon što je posljednji model lansiran na tržište
Košare	Profesionalni serviseri i krajnji korisnici	Najmanje 7 godina nakon što je posljednji model lansiran na tržište
Brtnice vrata	Profesionalni serviseri i krajnji korisnici	Najmanje 10 godina nakon što je posljednji model lansiran na tržište

## Poštovani kupče

1. Ako želite vratiti ili zamijeniti proizvod, kontaktirajte trgovinu u kojoj kupujete.  
(Ne zaboravite ponijeti račun za kupnju)
2. Ako se vaš proizvod pokvari i treba ga popraviti, kontaktirajte davatelja usluga nakon prodaje.

### PAŽNJA

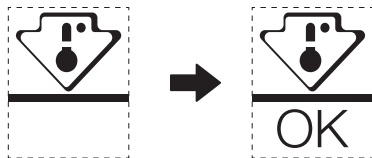
Informacije o modelu u bazi podataka o proizvodu, kao i identifikator modela, mogu se dobiti putem web-poveznice skenirane QR kodom, ako postoji, na naljepnici energetske učinkovitosti proizvoda. Više informacija o energetske učinkovitosti aparata možete pronaći na stranici <https://ec.europa.eu> na kojoj možete pretraživati prema nazivu modela.

Naziv modela možete pronaći na pločici s nazivnim podacima aparata.

## Najhladnija zona u hladnjaku

### DODATNO: OK-indikator temperature

- OK-indikator temperature može se koristiti za određivanje temperatura ispod +4°C. Postupno smanjite temperaturu ako znak ne pokazuje "OK".



- Kako biste osigurali temperaturu u tom području, nemojte mijenjati položaj police. Hladnjaci s hlađenjem pod pritiskom (opremljeni ventilatorom ili modeli bez inja), simbol najhladnije zone nije predstavljen jer je unutarnja temperatura homogena.

### Postavka indikatora temperature

- Kao pomoć pri pravilnom postavljanju hladnjaka imate indikator temperature koji će pratiti prosječnu temperaturu u najhladnijoj zoni.
- UPOZORENJE: Ovaj indikator namijenjen je isključivo radu s vašim hladnjakom, nemojte ga koristiti na drugom hladnjaku (najhladnija zona nije ista) ili za drugu namjenu.

HR

### Provjera temperature u najhladnijoj zoni

- Indikator temperature omogućuje redovitu provjeru je li temperatura najhladnije zone točna. Zaista, unutarnja temperatura hladnjaka ovisi o nekoliko čimbenika kao što su temperatura u prostoriji, količina hrane i učestalost otvaranja vrata. Kod postavljanja uređaja razmotrite te čimbenike.
- Kad indikator prikazuje „OK“, to znači da je termostat dobro podešen i da je unutarnja temperatura točna.
- Ako indikator temperature postane BIJELI, to znači da je temperatura previsoka, u tom slučaju povećajte postavku kontrole temperature hladnjaka i pričekajte 12 sati prije novog vizualnog pregleda indikatora. Kad stavite svježiju hranu ili ostavite vrata otvorena, moguće je da će nakon nekog vremena indikator postati BIJELI.

## ZAHVALNO PISMO

Hvala, ker ste izbrali Midea! Pred uporabo vašega novega izdelka Midea natančno preberite ta priročnik, da zagotovite varno upravljanje z lastnostmi in funkcijami, ki jih ponuja vaša nova naprava.

# KAZALO

ZAHVALNO PISMO	01
SPECIFIKACIJE	02
PREGLED IZDELKA	03
NAMESTITEV IZDELKA	04
NAVODILA ZA UPORABO	11
ČIŠČENJE IN VZDRŽEVANJE	13
ODPRAVLJANJE TEŽAV	15
DOKUMENTI IN CERTIFIKATI	17
PRILOGA	18

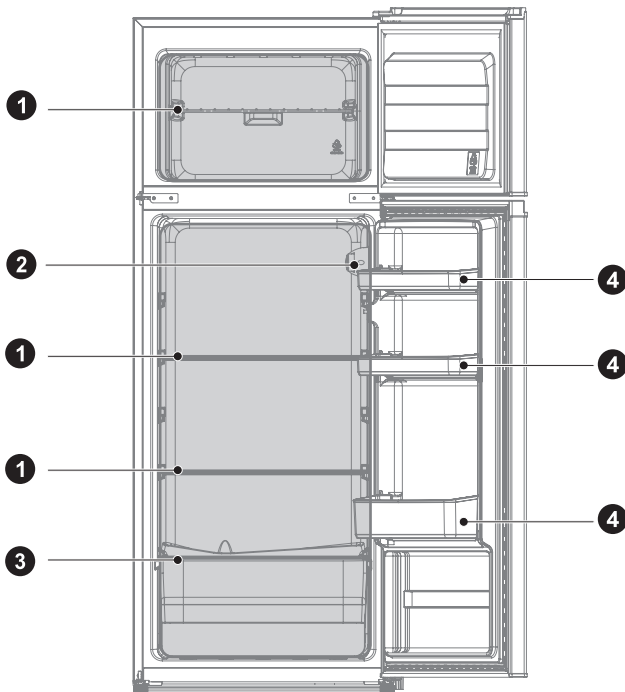
# SPECIFIKACIJE

<b>Model izdelka</b>	<b>MDRT294FGE01/MDRT294FGE50/ MERT210FGE01/MERT210FGE50</b>
Volumen prostora za shranjevanje sveže hrane	163 L
Volumen shranjevanja zamrznjene hrane	41 L
Vrsta odmrzovanja	Ročno odtajanje
Čas povišanja temperature	8 h
Zmogljivost zamrzovanja	2,0 kg/24h
Nazivna napetost	220-240 V~
Nazivni tok	0,5 A
Skupna mera (V x Š x G)	1430x550x550 mm

SL

# PREGLED IZDELKA

## Imena sestavnih delov



Polica  
Termostat

Predal za zelenjavo  
Pladenj za vrata

### POZOR

Zgornja slika je samo za referenco. Dejanska konfiguracija je odvisna od fizičnega izdelka ali izjave distributerja.

# NAMESTITEV IZDELKA

## Navodila za namestitev

### Za hladilne naprave s klimatskim razredom

- Odvisno od klimatskega razreda je ta hladilni aparat namenjen uporabi pri temperaturnih območjih okolja, kot je navedeno na napisni tablici.
- Klimatski razred najdete na napisni tablici. Izdelek morda ne bo deloval pravilno pri temperaturah zunaj določenega območja.
- Klimatski razred je naveden na etiketi izdelka.

### Učinkovito temperaturno območje

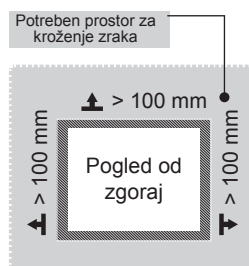
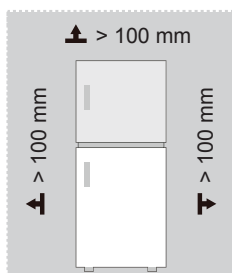
- Izdelek je zasnovan za normalno delovanje v temperaturnem območju, ki ga določa ocena razreda.

Razred	Simbol	Razpon temperature okolice °C	
		IEC 62552 (ISO 15502)	ISO 8561
Razširjeni zmerni	SN	+10 do +32	+10 do +32
Zmerni	N	+16 do +32	+16 do +32
Subtropski	ST	+16 do +38	+18 do +38
Tropski	T	+16 do +43	+18 do +43

SL

### Dimenzije in odmiki

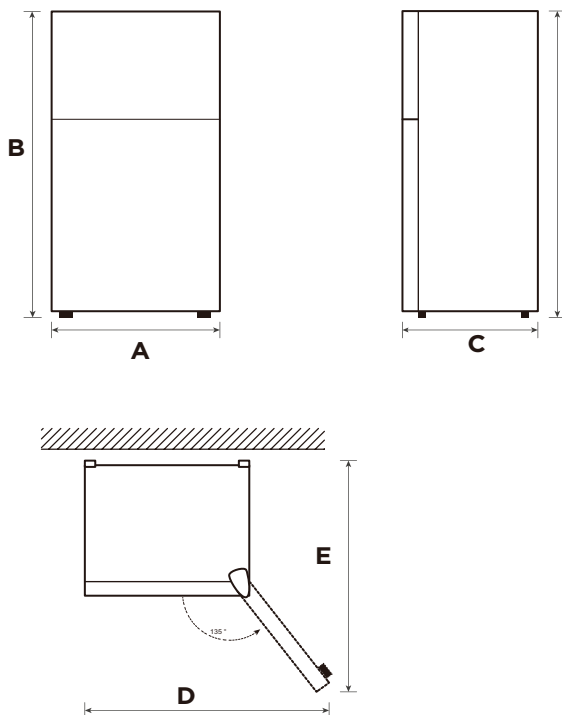
- Premajhna oddaljenost od sosednih predmetov lahko povzroči poslabšanje sposobnosti zamrzovanja in večje stroške električne energije. Pri namestitvi naprave pustite več kot 100 mm prostora od sosednjih sten.



### ● POZOR

Zgornja slika je samo za referenco. Dejanska konfiguracija je odvisna od fizičnega izdelka ali izjave distributerja.

Diagram prostorskih zahtev (ko so vrata odprta in ko so vrata zaprta)



SL

Širina	Skupna višina	Globina	Širina z odprtimi vrati 135°	Globina z odprtimi vrati 135°
A	B	C	D	E
550	1430	550	902	1052

Opomba: Vse mere so v mm





## Izravnalne noge

Da se izognete vibracijam, mora biti enota poravnana.

Po potrebi prilagodite izravnalne vijake za izravnavo neravnih tal.

Sprednji del mora biti nekoliko višji od zadnjega dela za pomoč pri zapiranju vrat.

Izravnalne vijake lahko enostavno vrtite tako, da omarico nekoliko nagnete.

Izravnalne vijake zavrtite v nasprotni smeri urinega kazalca , da dvignete enoto, ali v smeri urinega kazalca , da jo spustite.

## Premikanje naprave

1. Odstranite vso hrano iz naprave.
2. Izvlecite napajalni vtič ter ga vstavite in pritrdite na kavelj za napajalni vtič na zadnji strani ali na vrhu naprave.
3. Prilepite dele, kot so police in ročaj vrat, da preprečite njihov padec med premikanjem naprave.
4. Napravo morata previdno premakniti več kot dve osebi. Pri premikanju naprave na daljši razdalji naj naprava stoji pokončno.
5. Po namestitvi naprave priključite napajalni vtič v vtičnico za vklop naprave.

### POZOR

Zgornja slika je samo za referenco. Dejanska konfiguracija je odvisna od fizičnega izdelka ali izjave distributerja.

SL

## Zamenjava odpiranja vrat v smeri desno-levo(opcijsko)

Glede na lokacijo, kjer boste hladilnik uporabljali, bo morda priložnejše, če obrnete položaj namestitve vrat.

### POZOR

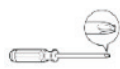
POZOR: Da se izognete poškodovanju sebe ali materialni škodi, priporočamo, da vam pri postopku zamenjave smeri odpiranja vrat pomaga druga oseba.

Priprava za zamenjavo položaja namestitve vrat

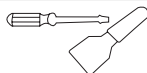
Potrebovali boste: standardni izvijač, križni izvijač in priloženi imbus ključ.

- Prepričajte se, da je hladilnik odklopljen z napajanja in prazen.
- Prosite nekoga, da vam pomaga pri postopku.
- Shranite vse odstranjene dele, da jih boste pozneje ponovno uporabili.

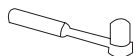
### Orodje, potrebno za zamenjavo smeri odpiranja vrat:



Križni izvijač



Pleskarska lopatica  
Ploščati izvijač



Nasadni ključ in raglja 5/16"

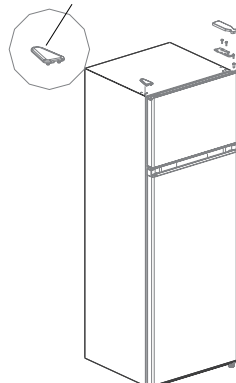


Maskirni trak

### Koraki

1. Izklopite hladilnik in odstranite vse predmete iz vratnih polic.
2. Odstranite zgornji pokrov tečaja, zgornji tečaj, cevni vložek vrat zamrzovalnika in prekrivni pokrovček na drugi strani.

prekrivni pokrovček

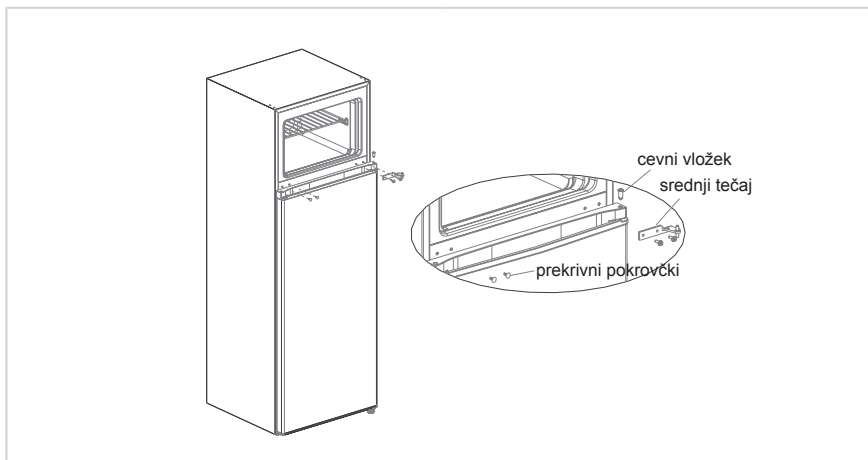


pokrov tečaja

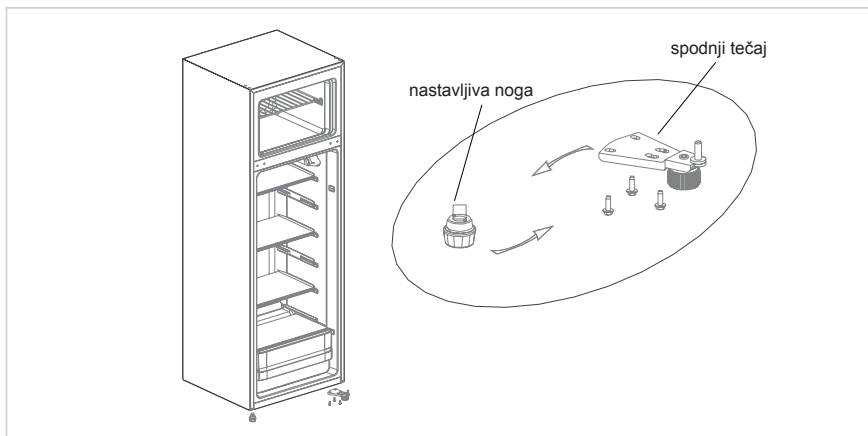
zgornji tečaj

cevni vložek

3. Odstranite vrata zamrzovalnika, srednji tečaj, cevni vložek vrat hladilnika in prekrivne pokrovčke na drugi strani.

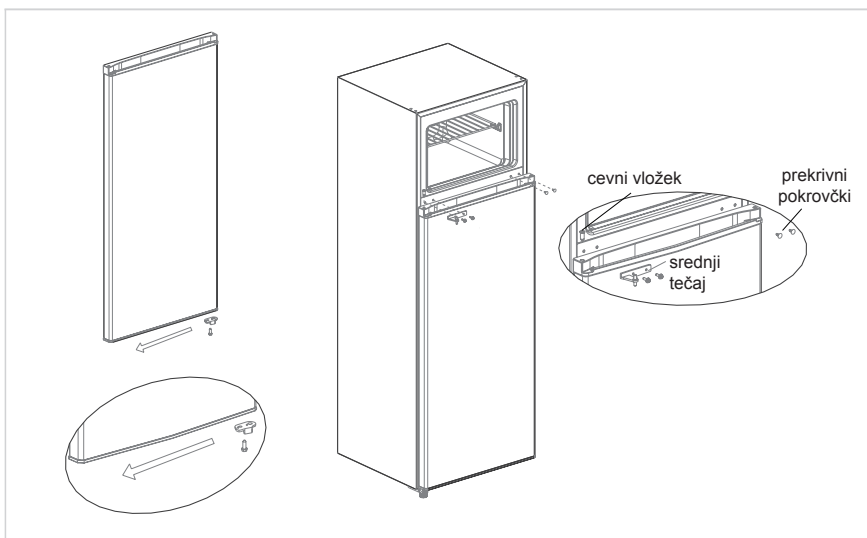


4. Odstranite vrata hladilnika, odstranite spodnji tečaj in nastavljivo nogo na drugi strani.
5. Namestite spodnji tečaj in nastavljivo nogo na drugi strani.

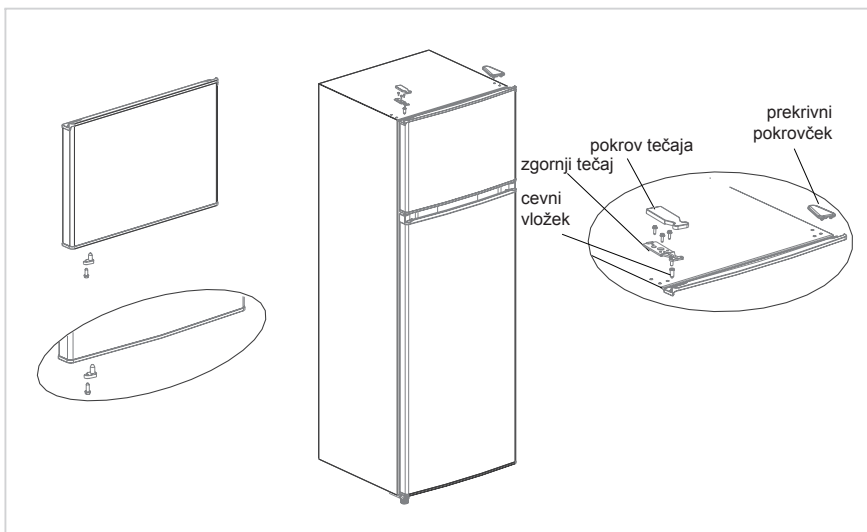


6. Blažilec za vrata hladilnika namestite na drugo stran.
7. Vrata hladilnika namestite na spodnji tečaj, namestite srednji tečaj, prekrivne pokrovčke in cevni vložek vrat hladilnika.

SL



8. Iz paketa z dodatno opremo vzemite blažilec za vrata zamrzovalnika in ga namestite na drugo stran vrat zamrzovalnika.
9. Iz paketa z dodatno opremo vzemite zgornji desni tečaj, pokrov zgornjega desnega tečaja, vrata zamrzovalnika postavite na srednji tečaj, vstavite cevni vložek v luknjo za tečaj na zgornjem levem delu vrat, namestite zgornji tečaj in pokrov zgornjega tečaja, nato pritrdite prekrivni pokrovček na drugi strani hladilnika.



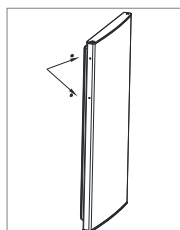
**POZOR**

Zgornja slika je samo za referenco. Dejanska konfiguracija je odvisna od fizičnega izdelka ali izjave distributerja.

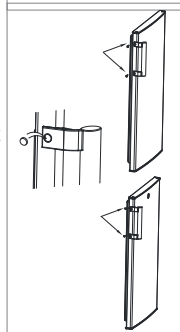
## Namestitev osvetlitve ročaja vrat (opsijsko)

Opomba: Slike v navodilih za uporabo so le referenčne. Dejanski izdelek se lahko nekoliko razlikuje. Pred namestitvijo dodatne opreme je treba hladilnik odklopiti od vira električnega napajanja.

Korak 1: iz vrat izvlecite dva zatiča (stranski prikaz odprtih vrat)



Korak 2: namestite ročaj na vrata in ga pritrdite z vijaki



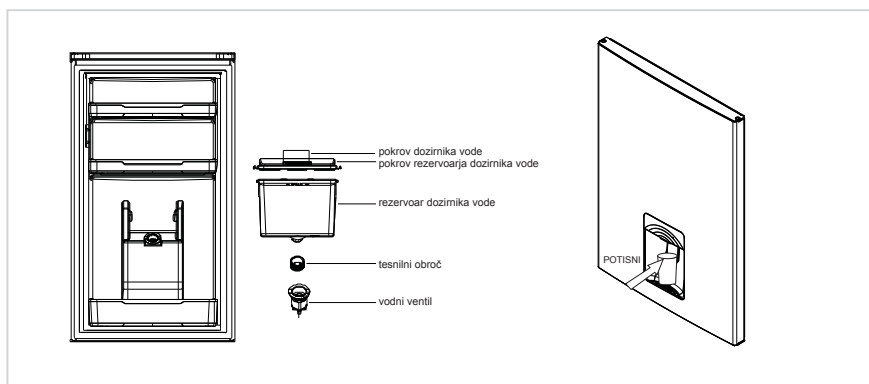
Korak 3: Namestite prekrivne pokrovčke v luknje za vijake na ročaju vrat

\* Zgornja slika je samo za referenco. Dejanska konfiguracija je odvisna od fizičnega izdelka ali izjave distributerja

SL

## Uporaba dozirnika vode (opsijsko)

1. Najprej odprite pokrov dovoda vode, napolnite s pitno vodo do oznake »MAX«, ki pomeni največjo količino vode.
2. S skodelico potisnite sprožilec navznoter, voda bo začela teči. Ko se sprožilec vrne v prvotni položaj, se voda ustavi.
3. Dozirniki vode lahko uporabljate samo za pitno vodo, ni primeren za pijače ali sadne sokove.



# NAVODILA ZA UPORABO

## Vklop enote

Nastavitev »Off«: izklop enote

Nastavitev »Min«: manj hladna temperatura

Nastavitev »Med« ali »MID«: normalno delovanje (primerno za večino situacij)

Nastavitev »Max«: najhladnejša temperatura

- Pri visokih temperaturah okolja, npr. v vročih poletnih dneh, bo morda treba termostat nastaviti na najhladnejšo nastavitvev (položaj »Max«). To lahko povzroči neprekinjeno delovanje kompresorja, da se ohrani nizka temperatura v notranjosti.
- Ob prvi namestitvi hladilnika nastavite gumb termostata v položaj »Med«. Pred dodajanjem živil pustite hladilniku čas, da se popolnoma ohladi. Najbolje je, da pred dodajanjem živil počakate 24 ur. Z gumbom za termostat uravnate temperaturo. Ko je gumb za upravljanje termostata nastavljen na OFF, hladilnik ne deluje.

## Nasveti za shranjevanje hrane v enoti

Kuhano meso/ribe je treba vedno hraniti na polici nad surovim mesom/ribami, da se prepreči prenos bakterij. Surovo meso/ribe hranite v posodi, ki je dovolj velika, da lahko zbira sokove, in jo ustrezno pokrijte. Posodo postavite na najnižjo polico.

- Okoli živil pustite prostor, da lahko zrak v notranjosti enote kroži. Poskrbite, da bodo vsi deli enote hladni.
- Da bi preprečili prenos okusov in izsušitev, živila pakirajte ali pokrijte ločeno. Sadja in zelenjave ni treba zaviti.
- Vedno počakajte, da se vnaprej pripravljena hrana ohladi, preden jo vstavite v enoto. To bo pomagalo ohraniti notranjo temperaturo enote.
- Da bi preprečili uhajanje hladnega zraka iz enote, poskušajte omejiti odpiranje vrat. Priporočamo, da vrata odprete le, ko morate v napravo vstaviti ali iz nje vzeti hrano.

## Zamenjava žarnice

Žarnico naj zamenjano strokovnjaki.

Vrstni red	TIP predelka	Ciljna temp. shranjevanja [°C]	Primerna hrana
1	Hladilnik	+2 ~ +8	Jajca, kuhana hrana, pakirana hrana, sadje in zelenjava, mlečni izdelki, torte, pijače in druga živila niso primerni za zamrzovanje.
2	(***)*-Zamrzovalnik	≤-18	Morski sadeži (ribe, kozice, školjke), sladkovodni izdelki in mesni izdelki (priporočljivo 3 mesece, daljši kot je čas shranjevanja, slabša sta okus in hranljivost), primerno za zamrznjena sveža živila.
3	***-Zamrzovalnik	≤-18	Morski sadeži (ribe, kozice, školjke), sladkovodni izdelki in mesni izdelki (priporočljivo 3 mesece, daljši kot je čas shranjevanja, slabša sta okus in hranljivost), primerno za zamrznjena sveža živila.
4	** -Zamrzovalnik	≤-12	Morski sadeži (ribe, kozice, školjke), sladkovodni izdelki in mesni izdelki (priporočljivo 3 mesece, daljši kot je čas shranjevanja, slabša sta okus in hranljivost), primerno za zamrznjena sveža živila.
5	*-Zamrzovalnik	≤-6	Morski sadeži (ribe, kozice, školjke), sladkovodni izdelki in mesni izdelki (priporočljivo 3 mesece, daljši kot je čas shranjevanja, slabša sta okus in hranljivost), primerno za zamrznjena sveža živila.
6	0-zvezdica	-6 ~ 0	Sveža svinjina, govedina, ribe, piščanec, nekatera pakirana predelana živila itd. (priporočljivo je, da ta živila pojedete isti dan, po možnosti jih ne shranjujete več kot 3 dni). Delno enkapsulirana predelana živila (živila, ki jih ni mogoče zamrzniti).
7	Hlajenje	-2 ~ +3	Sveža/zamrznjena svinjina, govedina, piščanec, sladkovodni proizvodi itd. (7 dni pod 0 °C, nad 0 °C je priporočljivo živila porabiti v istem dnevu, po možnosti jih ne shranjujete več kot 2 dni). Morski sadeži (15 dni pod 0 °C, ni priporočljivo shranjevati nad 0 °C).
8	Sveža živila	0 ~ +4	Sveža svinjina, govedina, ribe, piščanec, kuhana hrana itd. (priporočljivo je, da ta živila pojedete isti dan, po možnosti jih ne shranjujete več kot 3 dni)
9	Vino	+5 ~ +20	Rdeče vino, belo vino, peneče vino itd.

SL

### POZOR

kupljena živila shranjujete glede na predelke ali ciljno temperaturo shranjevanja.

# ČIŠČENJE IN VZDRŽEVANJE

## Odmrzovanje

- Izklopite hladilnik.
- Živila vzemite iz hladilnika in jih pravilno postavite, da se ne stopijo.
- Očistite cev za odvajanje (uporabite mehek material, da preprečite poškodbo obloge). Pripravite posode z vodo za odtajanje. (bodite pozorni, da očistite pladenj za odvajanje vode v kompresorju, da se izognete prelivanju po tleh).
- Za pospešitev odmrzovanja lahko uporabite tudi ustrezno količino vroče vode, ki jo po odmrzovanju osušite s suho brisačo.
- Za pospešitev odmrzovanja lahko uporabite tudi ustrezno količino vroče vode, ki jo po odmrzovanju osušite s suho brisačo.
- Po odtajanju postavite živila nazaj v omarico in vklopite hladilnik.

## Prenehajte uporabljati

### Izpad napajanja:

V primeru izpada napajanja lahko živila v notranjosti naprave hranite več ur, tudi poleti. Med trajanjem izpada napajanja zmanjšajte število odpiranja vrat in v napravo ne postavljajte novih svežih živil.

### Dolgotrajna neuporaba:

Napravo morate odklopiti z napajanja in jo nato očistiti. Nato pustite odprta vrata, da preprečite neprijetne vonjave.

### Premikanje:

pregrade, držalo za zelenjavo, predale zamrzovalne komore itd. zalepite z lepilnim trakom in zategnite nastavljive noge, zaprite vrata in jih zalepite z lepilnim trakom. Med premikanjem naprave ne smete položiti obrnjene od zgoraj navzdol ali vodoravno in je ne smete tresti; naklon med premikanjem naprave ne sme preseči 45°.

### POZOR

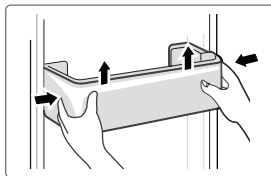
Ko napravo zaženete, mora delovati neprekinjeno. Delovanja naprave načeloma ne smete prekinjati, saj lahko to negativno vpliva na njeno življenjsko dobo.

V primeru izpada električne energije lahko živila hranite nekaj ur tudi poleti; priporočljivo je zmanjšati pogostost odpiranja vrat.



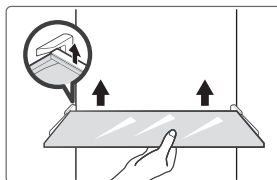
## Čiščenje pladnja na vratih

- Kot prikazujejo smerne puščice na spodnji sliki, z obema rokama stisnite pladenj in ga potisnite navzgor, da ga odstranite.
- Potem ko ste očistili pladenj zunaj hladilnika, lahko prilagodite njegovo višino namestitve glede na vaše zahteve.



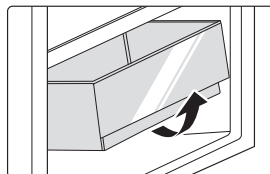
## Čiščenje steklene police

- V najbolj notranjem delu hladilnika se na polici nahaja zadnje varovalo, kjer se police dotikajo hladilnika; police morate dvigniti navzgor, da jih boste lahko odstranili.
- Police očistite ali jih prilagodite glede na vaše zahteve.



## Čiščenje predala za zelenjavo

1. Odstranite vsebino predala. Držite ročaj predala za zelenjavo in ga popolnoma izvlecite, dokler se ne ustavi.
2. Dvignite predal za zelenjavo in ga odstranite tako, da ga izvlečete.



### ● POZOR

Za čiščenje je priporočljivo uporabiti mehke brisače ali gobico, namočeno v vodo in nekorozivne nevtralne detergente. Na koncu očistite zamrzovalnik s čisto vodo in suho krpo. Pred vklopom napajanja odprite vrata, da se notranjost naravno posuši. Za čiščenje hladilnika ne uporabljajte trdih ščetk, čistilnih jeklenih kroglic, žičnih krtač, abrazivnih sredstev, kot so paste za zobe, organskih topil (kot so alkohol, aceton, bananino olje ipd.), vrele vode, kislin ali alkalnih izdelkov, saj lahko poškodujejo površino in notranjost hladilnika.

# ODPRAVLJANJE TEŽAV

Naslednja preprosta vprašanja lahko reši uporabnik. Če težave ne odpravite, pokličite poprodajni servis.

Težava	Možen razlog
Naprava ne deluje	• Preverite, ali je naprava priključena na napajanje ali če ima vtič dober stik v vtičnici
	• Preverite, ali je napetost prenizka
	• Preverite, ali je prišlo do izpada napajanja ali izpada delnih tokokrogov
Neprijeten vonj	• Živila z močnim vonjem morajo biti trdno ovita
	• Preverite, ali je v napravi pokvarjeno živilo
	• Očistite notranjost hladilnika
Dolgotrajno delovanje kompresorja	• Dolgotrajno delovanje hladilnika je običajno poleti, ko je temperatura okolice visoka
	• Priporočljivo je, da v napravi ni preveč živil hkrati
	• Živila se morajo ohladiti, preden jih postavite v napravo
	• Vrata se prepogosto odpirajo
Luč se ne vklopi	• Preverite, ali je hladilnik priključen na napajanje in ali je luč poškodovana
	• Luč naj zamenja strokovnjak
Vrat ni mogoče pravilno zapreti	• Vrata so se zataknila zaradi paketov s hrano, v napravi je preveč živil
	• Hladilnik je nagnjen.
Glasi hrup	• Preverite, ali so tla ravna in ali je hladilnik stabilno postavljen
	• Preverite, ali je dodatna oprema nameščena na ustreznih mestih

Težava	Možen razlog
Tesnila vrat ne tesnijo	<ul style="list-style-type: none"> <li>• Odstranite tujke s tesnil vrat</li> <li>• Segrejte tesnilo vrat in ga nato ohladite za obnovev (ali ga popihajte z električnim sušilnikom ali uporabite vročo brisačo za segretje)</li> </ul>
Izlivanje iz posode z vodo	<ul style="list-style-type: none"> <li>• V predelu je preveč živil ali pa shranjena živila vsebujejo preveč vode, kar povzroči močno odtajanje</li> <li>• Vrata niso pravilno zaprta, kar povzroči nabiranje ledu zaradi vstopa zraka in povečanje količine vode zaradi odtajanja</li> </ul>
Vroče ohišje	<ul style="list-style-type: none"> <li>• Odvajanje toplote vgrajenega kondenzatorja prek ohišja, kar je normalno. Ko ohišje postane vroče zaradi visoke temperature okolja, shranjevanja prevelike količine živil ali izklopa kompresorja, zagotovite ustrezno prezračevanje za lažje odvajanje toplote.</li> </ul>
Kondenzacija na površini	<ul style="list-style-type: none"> <li>• Kondenzacija na zunanji površini in tesnilih vrat hladilnika je normalna, kadar je vlažnost v okolici previsoka. Kondenzat obrišite s čisto brisačo.</li> </ul>
Neobičajen hrup	<ul style="list-style-type: none"> <li>• Brnenje: Kompresor lahko med delovanjem oddaja brnenje, to brnenje pa je glasno zlasti ob začetku ali ustavitvi delovanja. To je normalno.</li> <li>• Škripanje: Hladilna tekočina, ki se pretaka v notranjosti naprave, lahko povzroči škripanje, kar je normalno.</li> </ul>

SL

# DOKUMENTI IN CERTIFIKATI

## Izjava o skladnosti

S tem potrjujemo, da se naslednja imena modelov strank in imena modelov družbe Midea ujemajo.

Znamka	Model Midea	Tržni model	Tovarniški model
Midea	HD-273FN	MDRT294FGE01	CE-BCD210CM-JQ
Midea	HD-273FN	MDRT294FGE50	CE-BCD210CM-JQ
Midea	HD-273FN	MERT210FGE01	CE-BCD210CM-JQ
Midea	HD-273FN	MERT210FGE50	CE-BCD210CM-JQ

Ime proizvajalca:

Guangzhou Midea Hualing Refrigerator Co., Ltd.

Naslov proizvajalca:

št. 5 Xinguangsi Road, Qianfeng Zhujiang, okrožje  
Nansha, Guangzhou City, provinca Guangdong, Kitajska

Guangzhou Midea Hualing Refrigerator Co., Ltd. izjavljata, da so zgoraj navedeni izdelki skladni z zgoraj navedenimi trenutno veljavnimi predpisi in standardi.

# PRILOGA

## Posebna določila za nov evropski standard

Naročene dele v naslednji tabeli lahko pridobite od kanala ponudnika storitev

Naročeni del	Zagotovi ga	Minimalni čas, zahtevan za zagotavljanje dela
Termostati	Pooblaščen servis	Najmanj 7 let po začetku prodaje zadnjega modela
Senzorji temperature	Pooblaščen servis	Najmanj 7 let po začetku prodaje zadnjega modela
Plošče tiskanega vezja	Pooblaščen servis	Najmanj 7 let po začetku prodaje zadnjega modela
Vir svetlobe	Pooblaščen servis	Najmanj 7 let po začetku prodaje zadnjega modela
Ročaji vrat	Profesionalni serviserji in končni uporabniki	Najmanj 7 let po začetku prodaje zadnjega modela
Tečaji vrat	Profesionalni serviserji in končni uporabniki	Najmanj 7 let po začetku prodaje zadnjega modela
Pladnji	Profesionalni serviserji in končni uporabniki	Najmanj 7 let po začetku prodaje zadnjega modela
Košare	Profesionalni serviserji in končni uporabniki	Najmanj 7 let po začetku prodaje zadnjega modela
Tesnila vrat	Profesionalni serviserji in končni uporabniki	Najmanj 10 let po začetku prodaje zadnjega modela

## Spoštovani kupec

- Če želite vrniti ali zamenjati izdelek, se obrnite na prodajalno, v kateri ste ga kupili. (S sabo morate prinesiti račun o nakupu)
- Če se vaš izdelek pokvari in potrebuje popravilo, se obrnite na ponudnika poprodajnih storitev.

### POZOR

Podatke o modelu v podatkovni bazi izdelka in identifikator modela lahko dobite prek spletne povezave, ki jo dobite s skeniranjem QR-kode (če obstaja) na nalepki o energetske učinkovitosti izdelka.

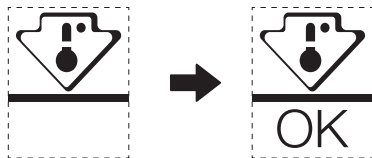
Za več informacij o energetske učinkovitosti naprave obiščite spletno stran <https://ec.europa.eu> in poiščite ime modela.

Ime modela je navedeno na nazivni nalepki naprave.

## Najhladnejše območje v hladilniku

### IZBIRNO: OK-indikator temperature

- OK-indikator temperature se lahko uporabi za določitev temperature pod +4 °C. Če znak ne prikazuje "OK", postopoma znižujte temperaturo.



- Da zagotovite ustrezno temperaturo v tem območju, ne spreminjajte položaja police. Pri hladilnikih z dovajanjem zraka (modeli, opremljeni z ventilatorjem ali modeli Brez Zamrzovanja) simbol za najhladnejše območje ni prisoten, saj je temperatura v njih homogena.

### Nastavitev indikatorja temperature

- Za lažjo nastavitev hladilnika je ta opremljen z indikatorjem temperature, ki spremlja povprečno temperaturo najhladnejšega območja.
- OPOZORILO: Ta indikator je namenjen delovanju samo z vašim hladilnikom, ne uporabljajte ga v drugem hladilniku (najhladnejše območje pravzaprav ni enako) ali za nobeno drugo uporabo.

### Preverjanje temperature v najhladnejšem območju

- Z indikatorjem temperature lahko redno preverjate, da je temperatura najhladnejšega območja pravilna. Notranja temperatura hladilnika je odvisna od več dejavnikov, kot so temperatura okolice v prostoru, količina živil v hladilniku in pogostost odpiranja vrat. Pri nastavljanju naprave upoštevajte te dejavnike.
- Kadar indikator prikazuje "OK", to pomeni, da je termostat ustrezno nastavljen in je notranja temperatura pravilna.
- Če se indikator temperature spremeni v BELEGA, to pomeni, da je temperatura previsoka. V tem primeru povečajte nastavitev temperature v hladilniku in počakajte 12 ur pred ponovnim vizualnim preverjanjem indikatorja. Če ste v hladilnik vstavili sveža živila ali če so bila odprta vrata, je mogoče, da se indikator temperature čez nekaj časa spremeni v BELEGA.

## SCRISOARE DE MULȚUMIRE

Vă mulțumim că ați ales Midea! Înainte de a utiliza noul dvs. produs Midea, vă rugăm să citiți acest manual cu atenție, pentru a vă asigura că știți cum să utilizați într-o manieră sigură caracteristicile și funcțiile pe care le oferă noul dvs. aparat.

# CUPRINS

<b>SCRISOARE DE MULȚUMIRE</b> -----	01
<b>SPECIFICAȚII</b> -----	02
<b>PREZENTAREA PRODUSULUI</b> -----	03
<b>INSTALAREA PRODUSULUI</b> -----	04
<b>INSTRUCȚIUNI DE OPERARE</b> -----	11
<b>CURĂȚARE ȘI ÎNTREȚINERE</b> -----	13
<b>DEPANARE</b> -----	15
<b>DOC ȘI CERTIFICĂRI</b> -----	17
<b>ANEXĂ</b> -----	18

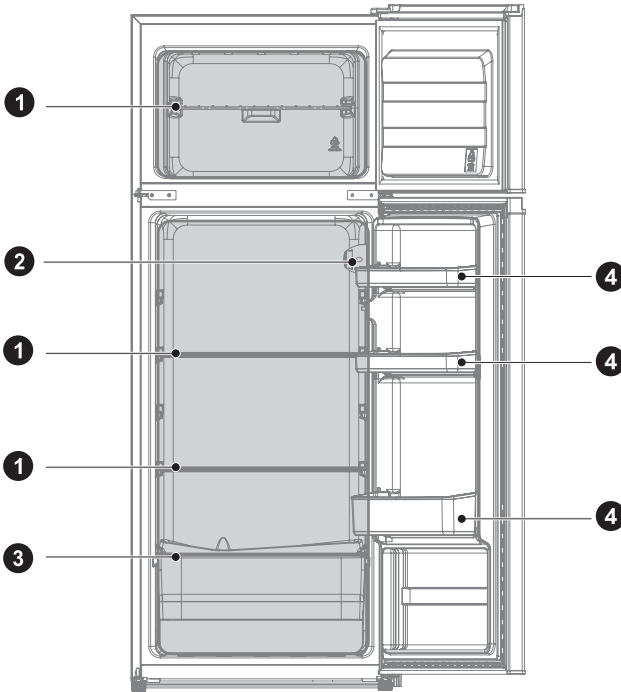
# SPECIFICAȚII

<b>Model de produs</b>	<b>MDRT294FGE01/MDRT294FGE50/ MERT210FGE01/MERT210FGE50</b>
Volumul compartimentului de păstrare pentru alimente proaspete	163 L
Volumul compartimentului de depozitare pentru alimente congelate	41 L
Tipul de dezghețare	Dezghețare manuală
Durata de creștere a temperaturii	8 h
Capacitatea de congelare	2,0 kg/24h
Tensiunea nominală	220-240 V~
Curentul nominal	0,5 A
Dimensiuni totale (H x l x A)	1430x550x550 mm



# PREZENTAREA PRODUSULUI

## Numele componentelor



- 1 Raft
- 2 Termostat

- 3 Crisper
- 4 Tavă ușă

### ⚠ ATENȚIE

Imaginea de mai sus este doar pentru referință. Configurația reală va depinde de produsul fizic sau de declarația distribuitorului.

RO

# INSTALAREA PRODUSULUI

## Instrucțiuni de instalare

### Pentru aparate frigorifice cu clasă de climă

- În funcție de clasa de climă, acest aparat frigorific este destinat utilizării la intervalele de temperatură ambiantă specificate în tabelul următor.
- Clasa de climă poate fi găsită pe plăcuța de identificare. Produsul nu poate funcționa corespunzător la temperaturi în afara intervalului specificat.
- Puteți găsi clasa de climă pe eticheta din interiorul frigiderului.

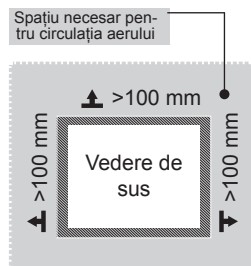
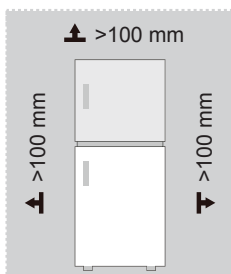
### Interval de temperatură eficace

- Produsul este proiectat să funcționeze normal în intervalul de temperatură specificat pe plăcuța de identificare.

Clasă	Simbol	Interval de temperatură ambiantă	
		IEC 62552 (ISO 15502)	ISO 8561
Temperat extinsă	SN	de la + 10 până la + 32	de la + 10 până la + 32
Temperat	N	de la + 16 până la + 32	de la + 16 până la + 32
Subtropical	ST	de la + 16 până la + 38	de la + 18 până la + 38
Tropical	T	de la + 16 până la + 43	de la + 18 până la + 43

### Dimensiuni și spații libere

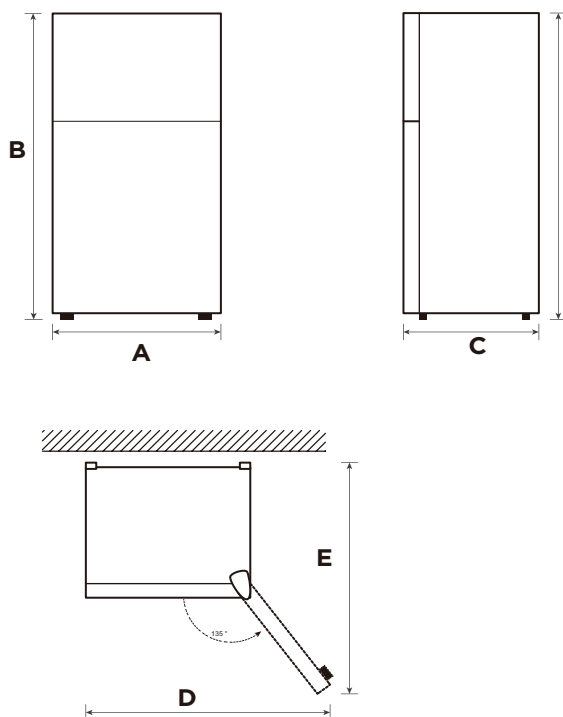
- O distanță prea mică față de elementele adiacente poate duce la degradarea capacității de congelare și la creșterea costurilor la energia electrică. Lăsați un spațiu liber de peste 100 mm de la fiecare perete adiacent atunci când instalați aparatul.



### ATENȚIE

Imagina de mai sus este doar pentru referință. Configurația reală va depinde de produsul fizic sau de declarația distribuitorului.

Diagrama spațiului necesar (când ușa este deschisă și când ușa este închisă)



RO

Lățime	Înălțime totală	Adâncime	Lățimea ușilor deschise 135°	Adâncimea ușilor deschise 135°
A	B	C	D	E
550	1430	550	902	1052

Notă: Toate dimensiunile în mm


## Picioare de echilibrare

Pentru a evita vibrațiile, unitatea trebuie să fie nivelată.

Dacă este necesar, reglați șuruburile de nivelare pentru a compensa podeaua neuniformă.

Partea din față trebuie să fie puțin mai înaltă decât partea din spate pentru a ajuta la închiderea ușii.

Șuruburile de nivelare pot fi rotite cu ușurință prin înclinarea ușoară a dulapului.

Rotiți șuruburile de nivelare în sensul invers acelor de ceasornic  pentru a ridica unitatea, în sensul acelor de ceasornic  pentru a-l coborî.

## Mutarea aparatului

1. Scoateți toate alimentele din interiorul aparatului.
2. Scoateți ștecherul, introduceți-l și fixați-l în cărligul ștecherului din spate sau deasupra aparatului.
3. Piese de bandă, cum ar fi rafturile și mânerul ușii, pentru a preveni căderea în timpul deplasării aparatului.
4. Mutați aparatul în mai mult de două persoane și cu atenție. Când transportați aparatul la o distanță lungă, păstrați aparatul în poziție verticală.
5. După instalarea aparatului, conectați fișa de alimentare la o priză pentru a porni aparatul.

RO

### ATENȚIE

Imaginea de mai sus este doar pentru referință. Configurația reală va depinde de produsul fizic sau de declarația distribuitorului.

## Schimbarea uşii de pe partea dreaptă pe partea stângă(opţional)

În funcţie de locul în care intenţionaţi să utilizaţi frigiderul, este posibil să vi se pară mai convenabil să inversaţi poziţia uşii.

### PRECAUȚIE

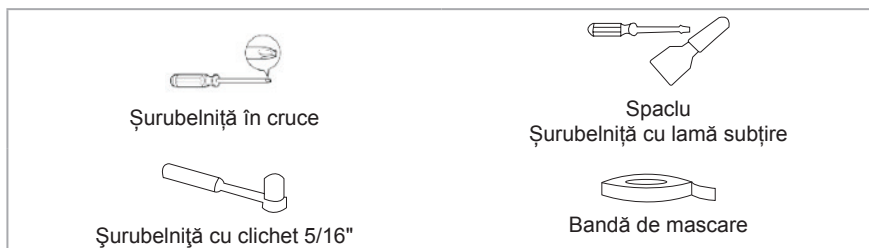
PRECAUȚIE: Pentru a evita rănirea dvs. sau a proprietății dvs., vă recomandăm ca cineva să vă ajute în timpul procesului de inversare a uşii.

Pregătirea pentru a inversa poziția uşii

Veți avea nevoie de: O șurubelniță standard, o șurubelniță Phillips și cheia Allen inclusă.

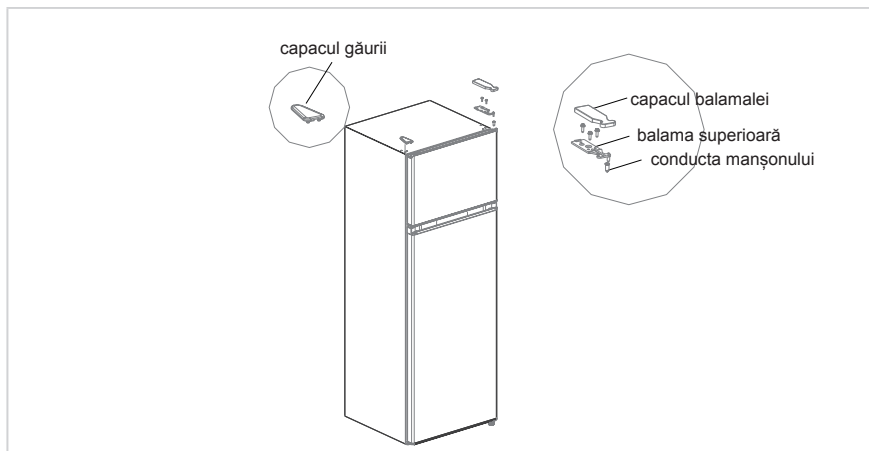
- Asigurați-vă că frigiderul este deconectat și gol.
- Aveți pe cineva disponibil pentru a vă ajuta în acest proces.
- Păstrați toate piesele pe care le eliminați pentru a le reutiliza mai târziu.

### Instrumente necesare pentru schimbarea uşii:

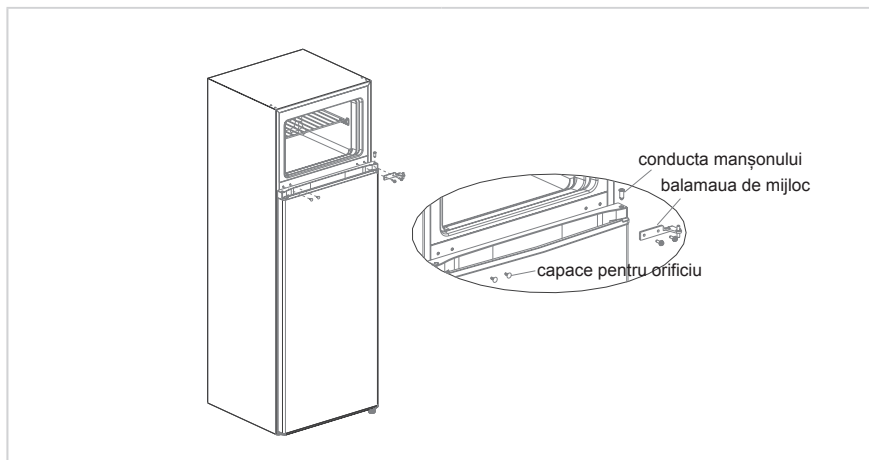


### Pasul

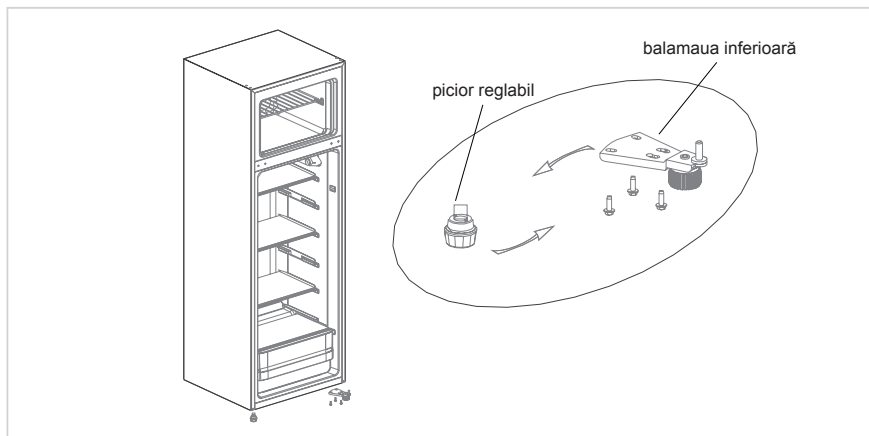
1. Opriti alimentarea frigiderului și îndepărtați toate obiectele de pe rafturile uşii.
2. Scoateți capacul balamalei de sus, balama de sus, țeava de manșon a uşii congelatorului și capacul găurii de pe cealaltă parte.



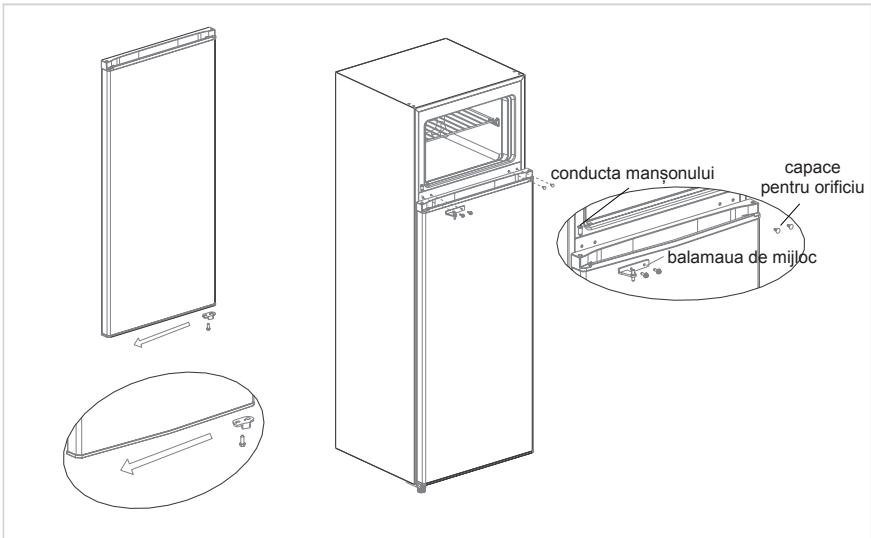
3. Scoateți ușa camerei de congelare, balamaua din mijloc, tubul de manșon al ușii de refrigerare și capacele găurilor de pe cealaltă parte.



4. Scoateți ușa frigorifică, scoateți balamaua inferioară și piciorul reglabil al celeilalte părți.  
5. Montați ansamblul balamalei inferioare și piciorul reglabil pe cealaltă parte.

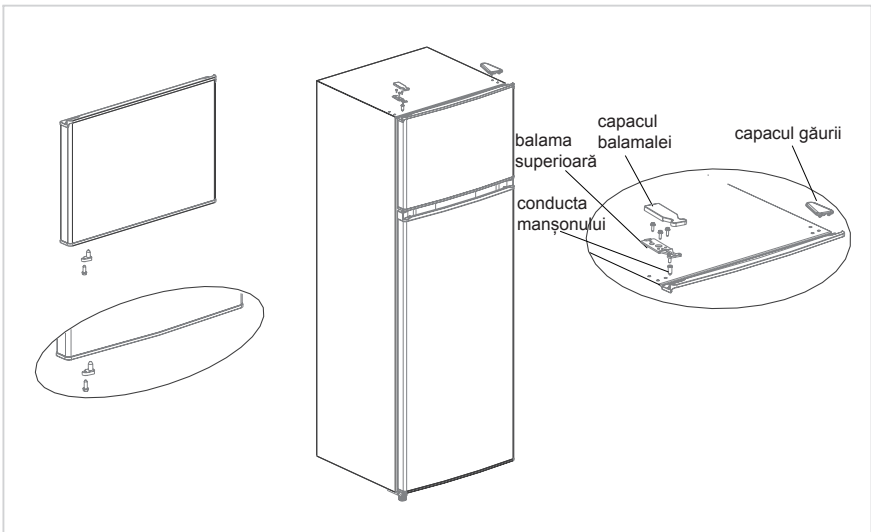


6. Montați dopul ușii frigorifice pe cealaltă parte.  
7. Puneți ușa frigorifică pe balamaua inferioară, asamblați balamaua din mijloc, capacele găurilor și conducta manșonului ușii frigorifice.



8. Scoateți dopul ușii congelatorului din pachetul de accesorii și asamblați-l pe cealaltă parte a ușii congelatorului.
9. Scoateți balamaua din dreapta sus, capacul balamalei din dreapta sus din pachetul de accesorii; puneți ușa congelatorului pe balamaua din mijloc, introduceți conducta manșonului în orificiul balamalei din stânga sus a ușii, asamblați balamaua superioară și capacul balamalei superioare, apoi filați capacul găurii de pe cealaltă parte a frigiderului.

RO



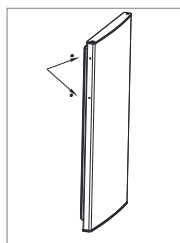
**ATENȚIE**

Imaginea de mai sus este doar pentru referință. Configurația reală va depinde de produsul fizic sau de declarația distribuitorului.

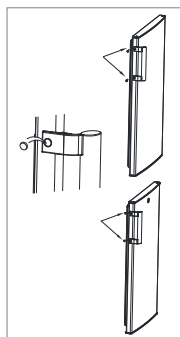
## Instalarea iluminării pe mânerul ușii (opțional)

Notă: Figurile din manualul de utilizare sunt doar de referință. Produsul real poate varia ușor. Frigiderul trebuie deconectat de la sursa de alimentare electrică înainte de a încerca instalarea accesoriului.

Pasul 1: scoateți doi pini de conectare de pe ușă (partea laterală a ușii deschise)



Pasul 2: Montați mânerul pe ușă și fixați-l cu șuruburi

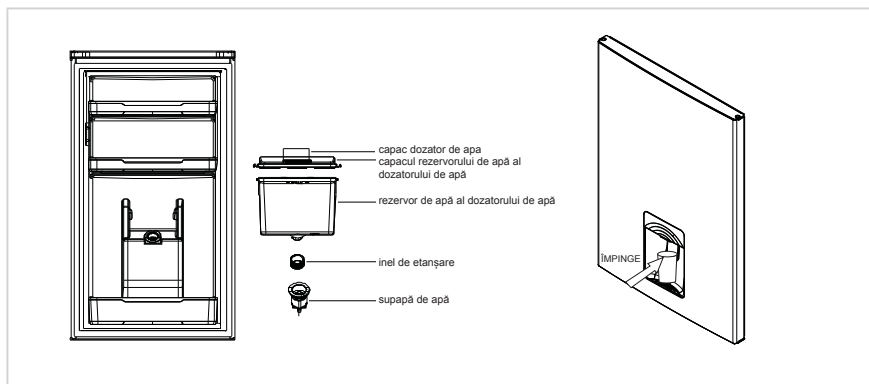


Pasul 3: Acoperiți capacele cu șuruburi ale mânerului în găurile de șurub

\*Imaginea de mai sus este doar pentru referință. Configurația reală va depinde de produsul fizic sau de declarația distribuitorului

## Utilizarea dozatorului de apă (opțional)

1. Deschideți, mai întâi, capacul de admisie a apei și umpleți cu apă potabilă până la „MAX”, marcat ca fiind cantitatea maximă de apă.
2. Folosiți paharul pentru a împinge declanșatorul în interior, apa va curge, iar când declanșatorul revine în poziția inițială, apa se oprește.
3. Dozatorul de apă poate fi utilizat numai pentru apă pură, nu este potrivit pentru băuturi sau sucuri de fructe.





# INSTRUCȚIUNI DE OPERARE

## Pornirea unității

Setarea „Off”: UnitOprit

Setarea „Min”: Temperatură de răcire mai mică

Setarea „Med” sau „MID”: Funcționare normală (adekvată pentru majoritatea situațiilor)

Setare „Max”: Cea mai rece temperatură

- În timpul temperaturilor ambiante ridicate, de exemplu, în zilele fierbinți de vară. Poate fi necesar să setați termostatul la cea mai rece setare (poziția „Max”). Acest lucru poate determina funcționarea continuă a compresorului pentru a menține o temperatură scăzută în dulap.
- Pentru prima dată când instalați frigiderul, reglați butonul termostatlui la „Med”. Lăsați frigiderul să se răcească complet înainte de a adăuga alimente. Cel mai bine este să așteptați 24 de ore înainte de a adăuga mâncare. Butonul termostatlui controlează temperatura. Atunci când butonul de control al termostatlui este reglat la OFF, frigiderul nu va funcționa.

## Sfaturi pentru păstrarea alimentelor în unitate

Carnea/peștele gătit trebuie păstrat întotdeauna pe un raft deasupra cârnii/peștelui crud(e) pentru a evita transferul bacterian. Păstrați carnea/peștele crud într-un recipient suficient de mare pentru a colecta sucuri și a le acoperi corespunzător. Așezați recipientul pe raftul cel mai de jos.

- Lăsați spațiu în jurul alimentelor, pentru a permite aerului să circule în interiorul unității. Asigurați-vă că toate părțile unității sunt păstrate la rece.
- Pentru a preveni transferul de miros și uscarea, împachetați sau acoperiți alimentele separat. Fructele și legumele nu au nevoie să fie împachetate.
- Lăsați întotdeauna alimentele pregătite să se răcească înainte de a le pune în unitate. Acest lucru va ajuta la menținerea temperaturii interne a unității.
- Pentru a preveni ieșirea aerului rece din unitate, încercați să limitați numărul de ori când deschideți ușa. Vă recomandăm să deschideți ușa numai atunci când trebuie să puneți sau să scoateți mâncarea.

## Schimbarea becului

Înlocuirea lămpii de către profesioniști.

RO

Comandă	TIP compartimente	Temperatura țintă de depozitare. [°C]	Alimente adecvate
1	Frigider	+2 ~ +8	Ouăle, alimentele gătitе, alimentele ambalate, fructele și legumele, produsele lactate, prăjiturile, băuturile și alte alimente nu sunt potrivite pentru îngheț.
2	(***)*-Congelator	≤-18	Fructe de mare (pește, creveți, crustacee), produse acvatice de apă dulce și produse din carne (recomandat pentru 3 luni, cu cât timpul de depozitare este mai lung, cu atât gustul și nutriția devin mai proaste), potrivite pentru alimentele proaspete congelate.
3	***-Congelator	≤-18	Fructe de mare (pește, creveți, crustacee), produse acvatice de apă dulce și produse din carne (recomandat pentru 3 luni, cu cât timpul de depozitare este mai lung, cu atât gustul și nutriția devin mai proaste), potrivite pentru alimentele proaspete congelate.
4	** -Congelator	≤-12	Fructe de mare (pește, creveți, crustacee), produse acvatice de apă dulce și produse din carne (recomandat pentru 3 luni, cu cât timpul de depozitare este mai lung, cu atât gustul și nutriția devin mai proaste), potrivite pentru alimentele proaspete congelate.
5	*-Congelator	≤-6	Fructe de mare (pește, creveți, crustacee), produse acvatice de apă dulce și produse din carne (recomandat pentru 3 luni, cu cât timpul de depozitare este mai lung, cu atât gustul și nutriția devin mai proaste), potrivite pentru alimentele proaspete congelate.
6	0-stele	-6 ~ 0	Carne proaspătă de porc, vită, pește, pui, unele alimente procesate ambalate etc. (Se recomandă consumul în aceeași zi, de preferință cel mult 3 zile). Alimente procesate parțial încapsulate (alimente care nu pot fi congelate).
7	Rece	-2 ~ +3	Carne de porc proaspătă/congelată, carne de vită, pui, produse acvatice de apă dulce etc. (7 zile sub 0° C și peste 0° C este recomandat să fie consumate în aceea zi, de preferință nu mai mult de 2 zile). Fructe de mare (mai puțin de 0° timp de 15 zile, nu se recomandă păstrarea la temperaturi peste 0° C.
8	Alimente proaspete	0 ~ +4	Carne de porc proaspătă, carne de vită, pește, pui, mâncare gătită etc. (recomandat să fie consumate în aceeași zi, de preferință nu mai mult de 3 zile)
9	Vin	+5 ~ +20	Vin roșu, vin alb, vin spumant etc.

### ● ATENȚIE

vă rugăm să depozitați diferite alimente în funcție de compartimente sau de temperatura țintă de depozitare a achiziției dvs.

# CURĂȚARE ȘI ÎNTREȚINERE

## Dezghețare

- Opriți alimentarea frigiderului.
- Îndepărtați alimentele din frigider și amplasați-le corespunzător pentru a evita dezghețarea acestora.
- Curățați țeava de scurgere (trebuie utilizate materiale moi pentru a preveni avariarea căptușelii). Pregătiți recipientele de apă pentru dezghețare. (aveți grijă să curățați compartimentul compresorului folosind o tavă de colectare a apei, pentru a evita deversarea pe podea).
- De asemenea, puteți folosi cantitatea potrivită de apă fierbinte pentru a accelera dezghețarea, cu un prosop uscat pentru a usca apa după dezghețare.
- De asemenea, puteți folosi cantitatea potrivită de apă fierbinte pentru a accelera dezghețarea, cu un prosop uscat pentru a usca apa după dezghețare.
- După dezghețare, introduceți alimentele la loc în dulap și porniți alimentarea frigiderului.

## Opriți utilizarea

### Pană de curent:

În caz de întrerupere a energiei electrice, chiar dacă este vara, alimentele din interiorul aparatului pot fi păstrate câteva ore; în timpul penei de curent, timpul de deschidere a ușii trebuie redus și nu trebuie introduse alimente proaspete în aparat.

### Neutilizare pe termen lung:

Aparatul trebuie deconectat și apoi curățat; apoi ușile vor fi lăsate deschise pentru a preveni mirosul.

### Mutare:

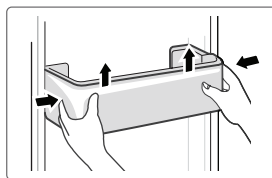
peretii despărțitori, suportul pentru legume, sertarele camerei de congelare etc. cu bandă adezivă și strângeți picioarele de nivelare; închideți ușile și sigilați-le cu bandă adezivă. În timpul deplasării, aparatul nu trebuie așezat cu susul în jos sau orizontal, sau vibrat; înclinația în timpul mișcării nu trebuie să depășească 45°.

## ATENȚIE

Aparatul ar trebui să funcționeze continuu, odată ce a fost pornit. În general, funcționarea aparatului nu trebuie întreruptă; în caz contrar, durata de viață poate fi afectată. Alimentele pot fi conservate timp de câteva ore chiar și vara, în caz de pană de curent; se recomandă reducerea frecvenței de deschidere a ușii.

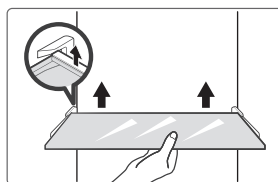
## Curățarea tăvii din ușă

- Conform săgeții de direcție din figura de mai jos, folosiți ambele mâini pentru a strânge tava și împingeți-o în sus, apoi o puteți scoate.
- După ce ați spălat tava, puteți regla înălțimea de instalare în funcție de cerințele dvs.



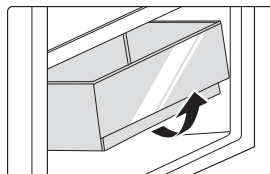
## Curățarea raftului de sticlă

- Deoarece partea cea mai interioară a căptușelii frigiderului în care contactul cu rafturile are o barieră, veți ridica rafturile în sus, apoi le veți putea scoate.
- Reglați sau curățați rafturile în funcție de cerințele dumneavoastră.



## Curățarea sertarului pentru legume

1. Scoateți conținutul sertarului. Țineți mânerul sertarului pentru legume și trageți-l complet până când se oprește.
2. Ridicați sertarul pentru legume și scoateți-l trăgându-l.



## ⚠ ATENȚIE

Pentru curățare se recomandă prosoape moi sau burete înmuiat în apă și detergenți neutri necorozivi. Congelatorul se curăță în cele din urmă cu apă curată și cu o cârpă uscată. Deschideți ușa pentru uscare naturală înainte ca alimentarea să fie pornită. Nu utilizați perii dure, bile de oțel curate, perii de sârmă, abrazivi (cum ar fi pastele de dinți), solvenți organici (cum ar fi alcool, acetonă, ulei de banane etc.), apă clorotită, obiecte acide sau alcaline, care pot deteriora suprafața frigiderului și interiorului.

# DEPANARE

Următoarele probleme simple trebuie remediate de utilizator. Adresați-vă departamentului de servicii post-vânzare dacă problemele nu se remediază.

Problemă	Motiv posibil
Funcționare eșuată	• Verificați dacă aparatul este conectat la energie sau dacă priza este într-un contact bun
	• Verificați dacă tensiunea este prea mică
	• Verificați dacă există o pană de curent sau dacă circuitele parțiale s-au declanșat
Miros neplăcut	• Alimentele mirositoare trebuie să fie împachetate strâns
	• Verificați dacă există alimente alterate
	• Curățați interiorul frigiderului
Funcționarea pe termen lung a compresorului	• Funcționarea îndelungată a frigiderului este normală vara când temperatura ambiantă este ridicată
	• Nu se recomandă să păstrați prea multe alimente în aparat în același timp
	• Alimentele trebuie să se răcească înainte de a fi puse în aparat
Lumina nu se aprinde	• Ușile sunt deschise prea des
	• Verificați dacă frigiderul este conectat la sursa de alimentare și dacă lumina iluminatoare este deteriorată
	• Solicitați înlocuirea luminii de către un specialist
Ușa nu poate fi închisă corect	• Ușa este blocată de pachetele cu alimente Se pun prea multe alimente
	• Frigiderul este înclinat.
Zgomot puternic	• Verificați dacă podeaua este plană și dacă frigiderul este așezat stabil
	• Verificați dacă accesoriile sunt amplasate în locații adecvate

RO

Problemă	Motiv posibil
Etanșarea ușii nu este strânsă	<ul style="list-style-type: none"> <li>• Îndepărtați obiectele străine de pe garnitura ușii</li> <li>• Încălziți garnitura ușii și apoi răciți-o pentru restaurare (sau folosiți un uscător electric, sau un prosop fierbinte pentru încălzire).</li> </ul>
Tava colectoare de apă se revarsă	<ul style="list-style-type: none"> <li>• Există prea multe alimente în compartiment sau alimentele depozitate conțin prea multă apă, ducând la o decongelare puternică.</li> <li>• Ușile nu sunt închise corespunzător, ceea ce duce la înghețare din cauza pătrunderii aerului și a cantității mari de apă cauzate de dezghețare</li> </ul>
Carcasă fierbinte	<ul style="list-style-type: none"> <li>• Căldura condensatorului încorporat este disipată prin intermediul carcasei, acest lucru fiind normal. În cazul în care carcasa se înfierbântă din cauza temperaturii ambiante ridicate, stocării unei cantități prea mari de alimente sau opririi compresorului, asigurați ventilarea puternică pentru a ușura disiparea căldurii.</li> </ul>
Condensarea suprafeței	<ul style="list-style-type: none"> <li>• Condensarea pe suprafața exterioară și etanșările ușilor frigiderului este normală atunci când umiditatea ambientală este prea mare. Ștergeți condensul cu un prosop curat.</li> </ul>
Zgomot anormal	<ul style="list-style-type: none"> <li>• Bâzâit: Compresorul poate produce sunete în timpul funcționării, iar sunetele sunt puternice în special la pornire sau oprire. Acest lucru este normal.</li> <li>• Scârțâit: Curgerea agentului frigorific în interiorul aparatului poate produce scârțâit, lucru care este normal.</li> </ul>

# DOC ȘI CERTIFICĂRI

## Declarația de conformitate

Prin prezenta, confirmăm că următoarele nume de modele ale clienților și, respectiv, nume de modele Midea se potrivesc.

Marca	Model Midea	Model de marketing	Model de fabrică
Midea	HD-273FN	MDRT294FGE01	CE-BCD210CM-JQ
Midea	HD-273FN	MDRT294FGE50	CE-BCD210CM-JQ
Midea	HD-273FN	MERT210FGE01	CE-BCD210CM-JQ
Midea	HD-273FN	MERT210FGE50	CE-BCD210CM-JQ

Numele producătorului: Guangzhou Midea Hualing Refrigerator Co., Ltd.

Adresa producătorului: No. 5 Xinguangsi Road, Qianfeng Zhujiang, Nansha District, Guangzhou City, Guangdong Province, RP China

Noi, Guangzhou Midea Hualing Refrigerator Co., Ltd., declarăm prin prezenta că produsele menționate mai sus respectă reglementările și standardele valabile în prezent menționate mai sus.

RO

# ANEXĂ

## Special pentru noul standard european

Pieseile comandate în tabelul următor pot fi achiziționate de la canalul furnizorului de servicii

Piesa comandată	Furnizat de	Perioadă minimă necesară de furnizare
Termostate	Personal de întreținere profesionist	La cel puțin 7 ani de la lansarea pe piață a ultimului model
Senzori de temperatură	Personal de întreținere profesionist	La cel puțin 7 ani de la lansarea pe piață a ultimului model
Plăci cu circuite imprimate	Personal de întreținere profesionist	La cel puțin 7 ani de la lansarea pe piață a ultimului model
Surse de lumină	Personal de întreținere profesionist	La cel puțin 7 ani de la lansarea pe piață a ultimului model
Mânere de ușă	Reparatori profesioniști și utilizatori finali	La cel puțin 7 ani de la lansarea pe piață a ultimului model
Balamale de ușă	Reparatori profesioniști și utilizatori finali	La cel puțin 7 ani de la lansarea pe piață a ultimului model
Tăvi	Reparatori profesioniști și utilizatori finali	La cel puțin 7 ani de la lansarea pe piață a ultimului model
Coșuri	Reparatori profesioniști și utilizatori finali	La cel puțin 7 ani de la lansarea pe piață a ultimului model
Garnituri pentru uși	Reparatori profesioniști și utilizatori finali	La cel puțin 10 ani de la lansarea pe piață a ultimului model

### Stimate client

1. Dacă doriți să returnați sau să înlocuiți produsul, vă rugăm să contactați magazinul de unde l-ați cumpărat.  
(Nu uitați să aduceți factura de cumpărare)
2. Dacă produsul dvs. se defectează și trebuie reparat, contactați furnizorul de servicii post-vânzare.

### ATENȚIE

Informațiile privind modelul din baza de date cu produse, precum și codul de identificare a modelului pot fi aflate cu ajutorul unui link web obținut prin scanarea codului QR de pe eticheta de eficiență energetică a produsului.

Pentru mai multe informații despre eficiența energetică a aparatului, vizitați <https://ec.europa.eu> și căutați folosind numele modelului.

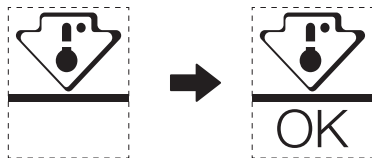
Denumirea modelului se găsește pe eticheta de clasificare a aparatului.



## Cea mai rece zonă din frigider

### OPȚIONAL: Indicator de temperatură OK

- Indicatorul de temperatură OK poate fi utilizat pentru a determina temperaturi sub +4°C. Reduceți treptat temperatura dacă semnul nu indică "OK".



- Pentru a menține temperatura în această zonă, nu modificați poziția raftului. Frigidere cu aer forțat (echipate cu ventilator sau modele nu îngheț), simbolul celei mai reci zone nu este reprezentat, deoarece temperatura din interior este omogenă.

### Setarea indicatorului de temperatură

- Pentru a vă ajuta să reglați frigiderul bine, acesta este dotat cu un indicator de temperatură care va monitoriza temperatura medie în zona cea mai rece.
- AVERTISMENT: Acest indicator este destinat să funcționeze numai cu frigiderul dvs., nu îl utilizați în alt frigider (de fapt, zona cea mai rece nu este aceeași) sau pentru orice altă utilizare.

RO

### Verificarea temperaturii în zona cea mai rece

- Cu ajutorul indicatorului de temperatură, puteți verifica în mod regulat, dacă temperatura din zona cea mai rece este corectă. Într-adevăr, temperatura internă a frigiderului depinde de mai mulți factori, cum ar fi temperatura ambiantă a camerei, cantitatea de alimente depozitate și frecvența deschiderii ușii. Luați în considerare acești factori atunci când setați dispozitivul.
- Atunci când indicatorul arată «OK», înseamnă că termostatul este bine reglat și că temperatura internă este corectă.
- Dacă indicatorul de temperatură devine ALB, înseamnă că temperatura este prea mare; în acest caz, măriți setarea de control a temperaturii frigiderului și așteptați timp de 12 ore înainte de a verifica din nou indicatorul. Dacă s-au introdus alimente proaspete sau dacă ușa a fost lăsată deschisă, este posibil ca indicatorul de temperatură să devină ALB după un timp.

## **БЛАГОДАРНОСТИ**

Благодарим Ви, че избрахте Midea! Преди да използвате новия си уред Midea, прочетете внимателно това ръководство, за са сте сигурни, че знаете как да използвате безопасно функциите, които този нов уред предлага.

# СЪДЪРЖАНИЕ

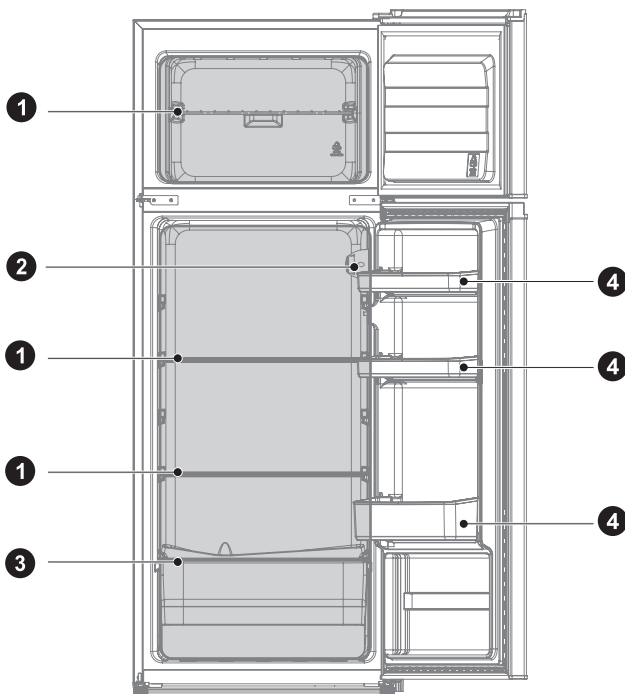
<b>БЛАГОДАРНОСТИ</b> .....	01
<b>ХАРАКТЕРИСТИКИ</b> .....	02
<b>ПРЕГЛЕД НА ПРОДУКТА</b> .....	03
<b>МОНТИРАНЕ НА ПРОДУКТА</b> .....	04
<b>ИНСТРУКЦИИ ЗА РАБОТА</b> .....	11
<b>ПОЧИСТВАНЕ И ПОДДРЪЖКА</b> .....	13
<b>ОТСТРАНЯВАНЕ НА ПРОБЛЕМИ</b> .....	15
<b>ДОКУМЕНТИ И СЕРТИФИКАТИ</b> .....	17
<b>ДОПЪЛНЕНИЕ</b> .....	18

# ХАРАКТЕРИСТИКИ

Модел на продукта	MDRT294FGE01/MDRT294FGE50/ MERT210FGE01/MERT210FGE50
Обем на отделениято за съхранение на пресни продукти	163 L
Обем за съхранение на замразени храни	41 L
Тип размразяване	Ръчно размразяване
Време за повишаване на температурата	8 h
Капацитет за замразяване	2,0 kg/24h
Номинално напрежение	220-240 V~
Номинален ток	0,5 A
Общи размери (В x Ш x Д)	1430x550x550 mm

# ПРЕГЛЕД НА ПРОДУКТА

## Наименования на компонентите



- 1 Рафт
- 2 Термостат

- 3 Отделение за зеленчуци
- 4 Тава на вратата

### ЗАБЕЛЕЖКА

Горното изображение е само за справка. Действителната конфигурация зависи от самия продукт или дистрибутора.

# МОНТИРАНЕ НА ПРОДУКТА

## Инструкции за монтиране

### За хладилни уреди с климатичен клас

- В зависимост от климатичния клас, този хладилен уред е предназначен за употреба при посочения в долната таблица диапазон на околната температура.
- Климатичният клас е посочен на табелката на уреда. Продуктът може да не работи оптимално при температури извън определения диапазон.
- Можете да видите климатичния клас на табелката на продукта.

### Температурен диапазон на ефективност

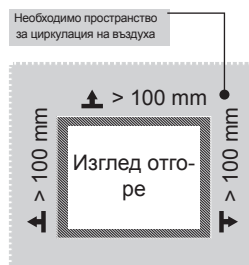
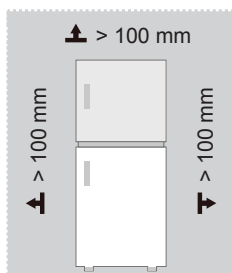
- Продуктът е проектиран да работи нормално в указания за неговия клас температурен диапазон.

Клас	Символ	Диапазон на околната температура ° C	
		IEC 62552 (ISO 15502)	ISO 8561
Разширен клас за умерен климат	SN	+ 10 до + 32	+ 10 до + 32
Клас за умерен климат	N	+ 16 до + 32	+ 16 до + 32
Клас за субтропичен климат	ST	+ 16 до + 38	+ 18 до + 38
Клас за тропичен климат	T	+ 16 до + 43	+ 18 до + 43

BG

### Размери и отстояния

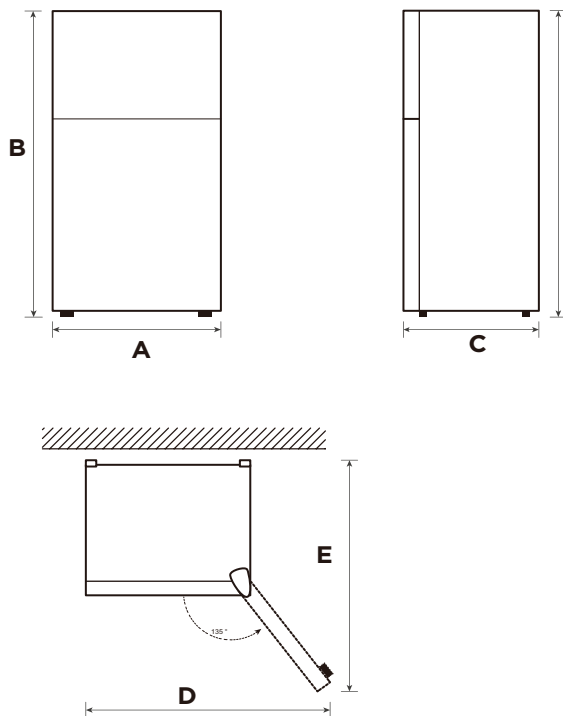
- Прекалено малкото разстояние до съседни предмети може да доведе до влошаване на способността на замразяване и до повишаване на разходите за електричество. При монтиране на уреда оставете отстояние над 100 mm от всяка съседна стена.



### ЗАБЕЛЕЖКА

Горното изображение е само за справка. Действителната конфигурация зависи от самия продукт или дистрибутора.

Диаграма на изискванията за пространство (при отворена врата и при затворена врата)



BG

Ширина	Обща височина	Дълбочина	Ширина при отворени на 135° врати	Дълбочина при отворени на 135° врати
A	B	C	D	E
550	1430	550	902	1052

Забележка: Всички размери са в mm



## Крачета за нивелиране

За да избегнете вибрации, модулът трябва да бъде нивелиран.

Ако е необходимо, регулирайте винтовете за нивелиране, за да компенсирате неравността на пода.

Предната част трябва да бъде разположена малко по-високо от задната, за да се подпомогне затварянето на вратата.

Винтовете за нивелиране могат да се завъртят лесно чрез леко накланяне на корпуса.

Завъртете винтовете за нивелиране обратно на часовниковата стрелка , за да повдигнете уреда, и по часовниковата стрелка , за да го снижите.

## Преместване на уреда

1. Извадете храната от уреда.
2. Извадете щепсела на захранването и го фиксирайте на специално предназначенията за него кука от задната страна в горната част на уреда.
3. Залепете с тиксо подвижните части, например рафтовете и дръжката на вратата, за да предотвратите изпадане по време на преместването.
4. Уредът трябва да се премества внимателно от няколко души. При транспортиране на уреда на дълго разстояние, го дръжте изправен.
5. След като монтирате уреда, свържете захранващия щепсел към контакта и го включете.

### ЗАБЕЛЕЖКА

Горното изображение е само за справка. Действителната конфигурация зависи от самия продукт или дистрибутора.

## Смяна на посоката на отваряне на вратата от дясно наляво(опционално)

Въз основа на мястото, на което искате да използвате хладилника, можете да промените позицията на вратата.

### ВНИМАНИЕ

**ВНИМАНИЕ:** За да избегнете нараняване или щети, препоръчваме някой да ви помогне в процеса на обръщане на позицията на вратата.

Подготовка за промяна на позицията на вратата

Ще имате нужда от: Стандартна отвертка, отвертка Phillips и включения в доставката гаечен ключ.

- Уверете се, че хладилникът е изключен и празен.
- Осигурете някой да ви помага в процеса.
- Запазете всички части, които сваляте, за да ги използвате отново по-късно.

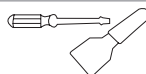
### Инструменти, необходими за промяна на позицията на вратата.



Кръстата отвертка



Гаечен ключ 8 мм (5/16") с тресчотка



Нож за шпакловане  
Отвертка с плоска глава

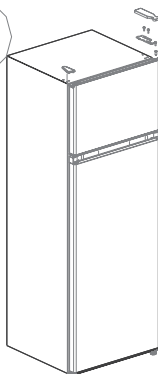


Самозалепваща лента

### Стъпка

1. Изключете хладилника и извадете всички предмети от тавите на вратата.
2. Сваляте капачето на горната панта, самата горна панта, тръбния ръкав на вратата на фризера и капачката за отвора от срещуположната страна.

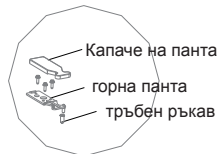
капачка за отвор



Капаче на панта

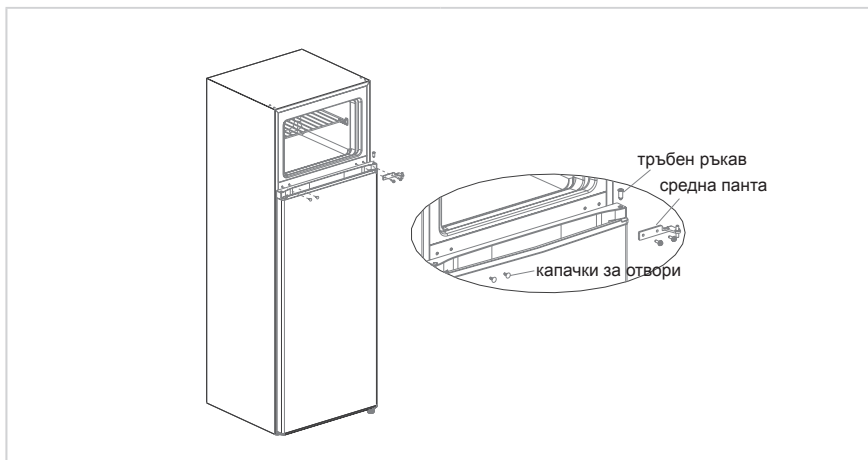
горна панта

тръбен ръкав



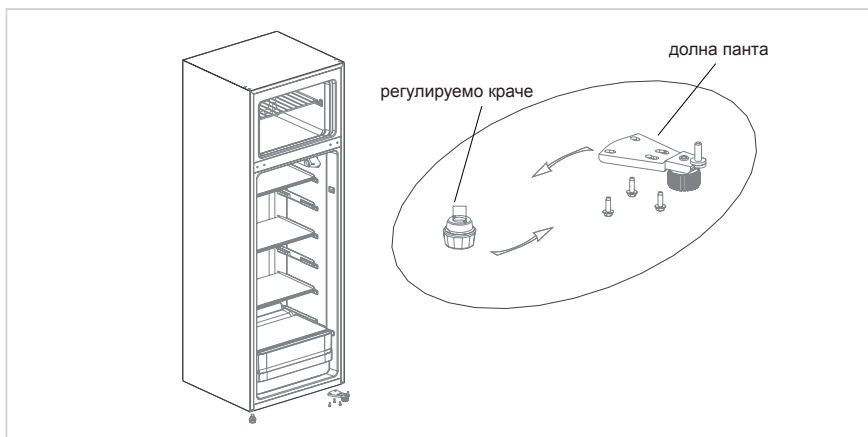


3. Свалете вратата на фризерната камера, средната панта, тръбния ръкав на вратата на хладилника и капачките за отворите от срещуположната страна.

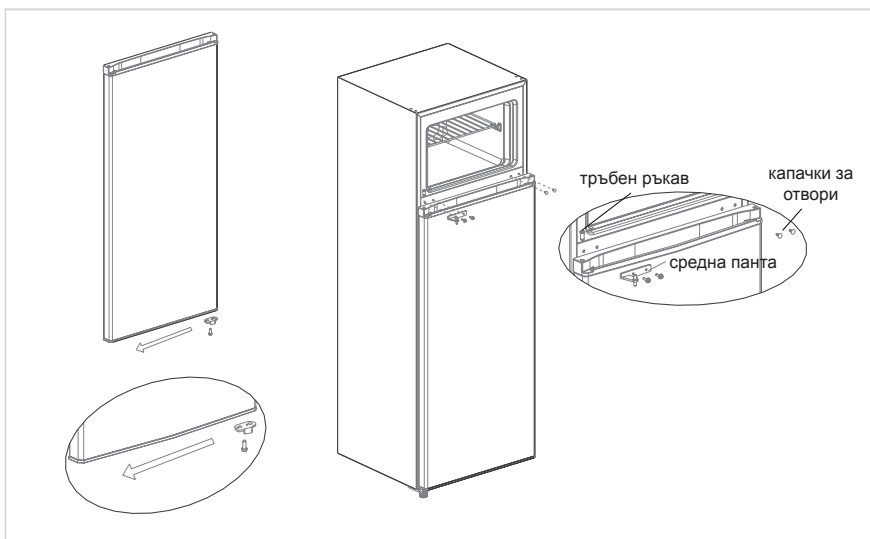


4. Свалете вратата на хладилника, свалете долната панта и регулируемото краче от срещуположната страна.
5. Сглобете модула на долната паната и регулируемото краче от срещуположната страна.

BG

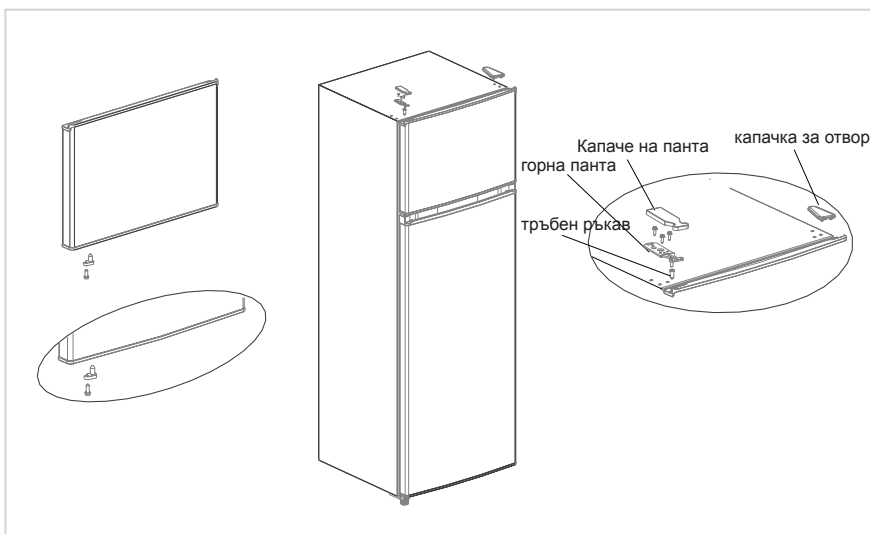


6. Поставете стопера на вратата на хладилника от срещуположната страна.
7. Поставете вратата на хладилника върху долната панта, сглобете средната панта, капачките на отворите и тръбния ръкав на вратата на хладилника.



8. Извадете от пакета с аксесоари стопера на вратата на фризера и го сглобете от другата страна на вратата на фризера.
9. Извадете от пакета с аксесоари горната дясна панта и капачето на дясната горна панта. Поставете вратата на фризера върху средната панта, прекарайте тръбния ръкав през отвора за пантата в горния ляв край на вратата, монтирайте горната панта и капачето на горната панта, след което закрепете капачката за отвора от срещуположната страна на хладилника.

BG



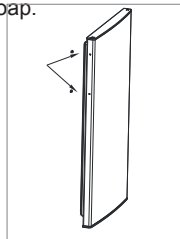
#### ● ЗАБЕЛЕЖКА

Горното изображение е само за справка. Действителната конфигурация зависи от самия продукт или дистрибутора.

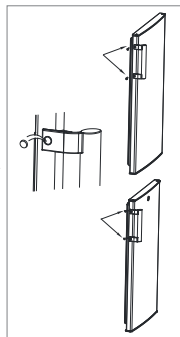
## Илюстрация на монтажа на дръжката на вратата (опционално)

Бележка: Фигурите в това ръководство на потребителя са само за справка. Реалният продукт може леко да се различава. Хладилникът трябва да бъде изключен от електрозахранването преди да пристъпите към монтиране на аксесоар.

Стъпка 1: Извадете два щифта от вратата (от страни на отворената врата)



Стъпка 2: Монтирайте дръжката на вратата към самата врата и я закрепете с винтове



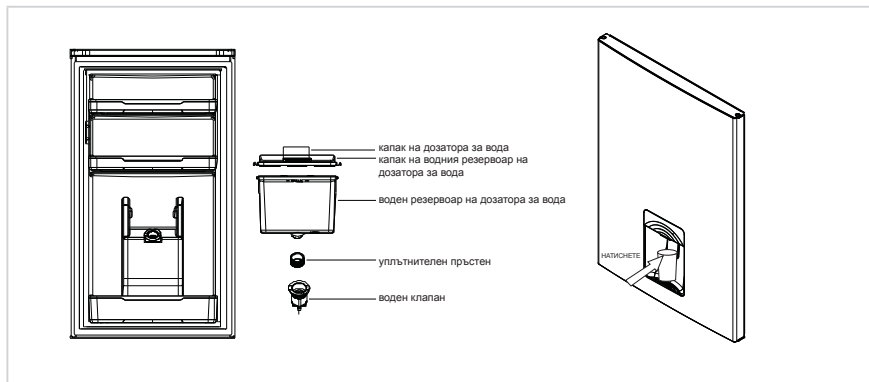
Стъпка 3: Покрийте отворите за винтовете на дръжката с капачки за винтове

\* Горното изображение е само за справка. Действителната конфигурация зависи от самия продукт или дистрибутора

BG

## Употреба на дозатора за вода (опционално)

1. Най-напред отворете капака за пълнене с вода, напълнете с питейна вода до отбелязаното с „MAX“ максимално ниво на водата.
2. С помощта на чашата натиснете навътре лоста и водата ще потече, а когато лостът се върне в изходното си положение, водата ще спре.
3. Дозаторът за вода може да се използва единствено за чиста вода и не е подходящ за безалкохолни напитки или плодов сок.



# ИНСТРУКЦИИ ЗА РАБОТА

## Включване на уреда

Настройка „Off“: Уредът е изключен

Настройка „Min“: Най-слабо охлаждане

Настройка „Med“ или „MID“: Нормална работа (подходяща за повечето ситуации)

Настройка „Max“: Най-силно охлаждане

- При високи околни температури, например в горещи слънчеви дни, Може да е необходимо да настроите термостата до настройка за най-силно охлаждане (позиция „Max“). Това може да доведе до непрекъсната работа на компресора, за да поддържа ниска температура в отделението на уреда.
- При първата употреба след монтиране на хладилника, задайте копчето на термостата на положение „Med“. Преди да поставите храна в хладилника, оставете достатъчно време, за да може уредът да се охлади напълно. Най-добре е да изчакате 24 часа, преди да поставите храна. Копчето на термостата управлява температурата. Когато копчето на термостата е поставено в изключено положение OFF, хладилникът няма да работи.

## Съвети за съхраняване на храна в уреда

Готвеното месо и риба винаги трябва да се съхранява на рафтовете над суровото месо или риба, за да се избегне бактериален пренос. Дръжте суровото месо или риба в достатъчно голям съд, в който да се събират соковете, и го затваряйте добре. Поставете съда на най-долния рафт.

- Оставете пространство около храната, за да може въздухът да циркулира в уреда. Уверете се, че всички части на уреда се поддържат студени.
- За да предотвратите прехвърлянето на аромати и изсъхването на храната, съхранявайте всеки продукт в отделна опаковка или в отделен затворен съд. Плодовете и зеленчуците не е необходимо да бъдат опаковани.
- Винаги оставете готвената храна да се охлади, преди да я приберете в уреда. Това помага да се поддържа вътрешната температура в уреда.
- За да предотвратите излизането на студен въздух от уреда, стремете се да ограничавате броя на отварянията на вратата. Препоръчваме ви да отваряте вратата само тогава, когато трябва да приберете или да извадите храна.

## Смяна на лампата

Смяната на лампата се извършва от специалисти.

Ред	ТИП на отделенията	Целева температура на съхранение [°C]	Подходяща храна
1	Хладилник	+2 ~ +8	Яйца, готвена храна, пакетирана храна, плодове и зеленчуци, млечни продукти, сладкиши, напитки и други храни, които не са подходящи за замразяване.
2	(***)*-Фризер	≤18	Морски дарове (риба, скариди, миди), сладководни и месни продукти (препоръчва се съхранение за 3 месеца, като по-дългото съхраняване влошава вкусовите и хранителните качества), подходящо за замразени пресни храни.
3	***-Фризер	≤18	Морски дарове (риба, скариди, миди), сладководни и месни продукти (препоръчва се съхранение за 3 месеца, като по-дългото съхраняване влошава вкусовите и хранителните качества), подходящо за замразени пресни храни.
4	** -Фризер	≤12	Морски дарове (риба, скариди, миди), сладководни и месни продукти (препоръчва се съхранение за 3 месеца, като по-дългото съхраняване влошава вкусовите и хранителните качества), подходящо за замразени пресни храни.
5	*-Фризер	≤6	Морски дарове (риба, скариди, миди), сладководни и месни продукти (препоръчва се съхранение за 3 месеца, като по-дългото съхраняване влошава вкусовите и хранителните качества), подходящо за замразени пресни храни.
6	0-звезди	-6 ~ 0	Прясно свинско, телешко месо, риба, пиле, някои пакетиранни обработени храни и др. (препоръчва се да се консумира в рамките на деня, за предпочитане след не повече от 3 дни). Частично капсулирани обработени храни (неподходящи за замразяване продукти).
7	Охлаждане	-2 ~ +3	Прясно / замразен свинско, телешко месо, пиле, сладководни продукти и др. (7 дни под 0 °C, а над 0°C се препоръчва да се консумира в рамките на деня, за предпочитане след не повече от 2 дни). Морски дарове (под 0 °C за 15 дни, не се препоръчва съхранение над 0°C).
8	Пресни храни	0 ~ +4	Прясно свинско, телешко месо, риба, пиле, готвена храна и др. (препоръчва се да се консумира в рамките на деня, за предпочитане след не повече от 3 дни)
9	Вино	+5 ~ +20	Червено вино, бяло вино, пенливо вино и др.

### ЗАБЕЛЕЖКА

Моля, съхранявайте различните храни в зависимост от препоръчаните отделения или целева температура на съхранение.

ВГ

# ПОЧИСТВАНЕ И ПОДДРЪЖКА

## Размразяване

- Изключете хладилника.
- Извадете храната от хладилника и я поставете по подходящ начин, така че да не се разтопи.
- Почистете тръбата за оттичане (използвайте меки предмети, за да не повредите обшивката). Подгответе съдове за вода, които да се използват при размразяването. (не забравяйте да почистите тавата за оттичане на вода от компресорното отделение, за да не прелее на земята).
- Също така можете да използвате подходящо количество гореща вода, за да ускорите процеса, и суха кърпа, с която да попиете водата след размразяването.
- Също така можете да използвате подходящо количество гореща вода, за да ускорите процеса, и суха кърпа, с която да попиете водата след размразяването.
- След размразяване върнете храните обратно в хладилника и го включете.

## Спиране на употребата

### Спиране на тока:

При спиране на тока, дори лятото, храните в уреда могат да се запазят за няколко часа. При спиране на тока отварянето на вратата трябва да се намали и в уреда не трябва повече да се слага прясна храна.

### Ако няма да се използва дълго време:

Уредът трябва да се изключи от контакта и да се почисти, а след това вратите да се оставят отворени, за да се избегнат миризми.

### Преместване:

Залепете отделенията, чекмеджето за зеленчуци, чекмеджетата на камерата за замразяване и т.н. с тиксо и завийте крачетата за нивелиране. Затворете вратите и ги залепете с тиксо. При преместването уредът не трябва да се поставя обърнат наопаки или хоризонтално и не трябва да бъде клатен. Наклонът по време на преместването не трябва да е повече от 45°.

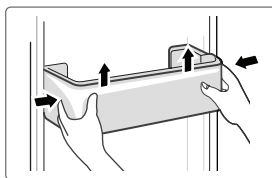
### ● ЗАБЕЛЕЖКА

Уредът трябва да работи непрекъснато, след като веднъж е включен. Обикновено работата на уреда не трябва да се прекъсва, в противен случай експлоатационният му живот може да бъде намален.

Храните могат да се запазят за няколко часа дори и през лятото в случай на спиране на тока. Препоръчва се вратата да се отваря възможно най-рядко.

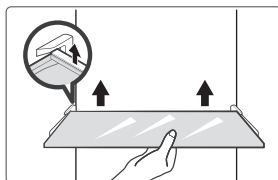
## Почистване на тавата на вратата

- Според посоката на стрелката на фигурата по-долу, стиснете с две ръце тавата и я натиснете нагоре, за да я извадите.
- След като измиете извадената тава, можете да регулирате височината, на която да я поставите според вашите предпочитания.



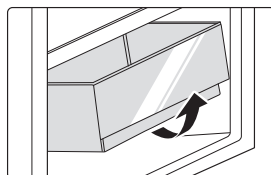
## Почистване на стъкления рафт

- Тъй като на най-вътрешната част на облицовката на хладилника, където се опират рафтовете, има заден ограничител, трябва да повдигнете рафтовете нагоре, за да можете да ги извадите.
- Регулирайте и почиствайте рафтовете според вашите изисквания.



## Почистване на чекмеджето за зеленчуци

1. Извадете съдържанието на чекмеджето. Хванете дръжката на чекмеджето за зеленчуци и го издърпайте докрай, докато не спре.
2. Повдигнете чекмеджето за зеленчуци и го извадете, като го издърпате навън.



BG

### ● ЗАБЕЛЕЖКА

За почистването се препоръчва използването на меки кърпи или гъби, потопени във вода и некорозивни неутрални миещи препарати. Накрая фризерт трябва да се почисти с чиста вода и суха кърпа. Отворете вратата, за да изсъхне естествено, преди включване на храненето. Не използвайте твърди четки, стоманени телчета, метални четки, абразиви, като паста за зъби, органични разтворители, като алкохол, ацетон, бананово масло и пр., вряла вода, киселина или алкални предмети, защото могат да увредят външната повърхност и вътрешността на хладилника.

# ОТСТРАНЯВАНЕ НА ПРОБЛЕМИ

Следните прости проблеми могат да се разрешат от потребителя. Обадете се на сервизния отдел, ако проблемите не бъдат отстранени.

Проблем	Възможна причина
Неуспешна работа	• Проверете дали уредът е свързан към захранването или щепселът е добре вкаран в контакта
	• Проверете дали напрежението е твърде ниско.
	• Проверете дали има прекъсване на тока или изключени частични вериги
Миризма	• Ароматните храни трябва да бъдат опаковани плътно
	• Проверете дали няма развалена храна
	• Почистете вътрешността на хладилника
Продължителна работа на компресора	• Продължителната работа на хладилника е нормална през лятото, когато околната температура е висока
	• Не е препоръчително да държите твърде много храна в уреда едновременно
	• Храната трябва да се охлади преди да се сложи в уреда
	• Вратите се отварят твърде често.
Лампите не светват	• Проверете дали хладилникът е свързан към електрозахранването и дали лампата не е повредена
	• Лампата трябва да се смени от специалист.
Вратата не може да се затвори правилно	• Вратата не се движи заради пакети с храна Оставена е много храна
	• Хладилникът е наклонен.
Силен шум	• Проверете дали подът е равен и дали хладилникът е поставен правилно
	• Проверете дали аксесоарите са поставени на правилните места



Проблем	Възможна причина
Уплътнението на вратата не е здраво	<ul style="list-style-type: none"> <li>• Почистете уплътнението на вратата</li> <li>• Нагрейте уплътнението на вратата, а после го охладете, за да се възстанови (или го продухайте с електрически сешоар или използвайте гореща кърпа за загряване)</li> </ul>
Съдът за вода прелива	<ul style="list-style-type: none"> <li>• Има твърде много храна в камерата или съхраняваната храна съдържа твърде много вода, което води до често размразяване</li> <li>• Вратите не са затворени правилно, което води до заскрежаване заради влизането на въздух и повече вода заради размразяването</li> </ul>
Горещ корпус	<ul style="list-style-type: none"> <li>• Топлината от вградения кондензатор се разсейва чрез корпуса, което е нормално. Когато корпусът се нагрее поради висока околна температура, съхранение на твърде много храна или изключване на компресора, осигурете добра вентилация за улесняване на разсейването на топлината</li> </ul>
Кондензация по повърхността	<ul style="list-style-type: none"> <li>• Кондензацията по външната повърхност и уплътненията на вратите на хладилника е нещо нормално, когато влажността на околната среда е твърде висока. Просто избършете кондензата с чиста кърпа.</li> </ul>
Необичаен шум	<ul style="list-style-type: none"> <li>• Бръмчене: Компресорът може да бръмчи по време на работа, а бръмченето е силно особено при включване и спиране. Това е нормално.</li> <li>• Скърцане: Хладилният агент, който тече вътре в уреда, може да предизвика скърцане, което е нормално.</li> </ul>

# ДОКУМЕНТИ И СЕРТИФИКАТИ

## Декларация за съответствие

С настоящото потвърждаваме, че следните номера на потребителски модели отговарят на съответните имена на модели на Midea.

Марка	Midea модел	Маркетинг модел	Фабричен модел
Midea	HD-273FN	MDRT294FGE01	CE-BCD210CM-JQ
Midea	HD-273FN	MDRT294FGE50	CE-BCD210CM-JQ
Midea	HD-273FN	MERT210FGE01	CE-BCD210CM-JQ
Midea	HD-273FN	MERT210FGE50	CE-BCD210CM-JQ

BG

Наименование на  
производителя:

Guangzhou Midea Hualing Refrigerator Co., Ltd.

Адрес на  
производителя:

No. 5 Xinguangsi Road, Qianfeng Zhujiang, Nansha  
District, Guangzhou City, Guangdong Province,  
Китайска Н.Р.

Ние, Guangzhou Midea Hualing Refrigerator Co., Ltd., с настоящото декларираме, че горепосочените продукти отговарят на горепосочените действащи регламенти и стандарти.

# ДОПЪЛНЕНИЕ

## Специално за новия европейски стандарт

Описаните в долната таблица резервни части могат да се получат по реда, определен от доставчика на услуги.

Поръчана част	Предоставена от	Минимално време, необходимо за предоставяне
Термостати	Професионален обслужващ персонал	Поне 7 години след пускането на пазара на последния модел
Температурни датчици	Професионален обслужващ персонал	Поне 7 години след пускането на пазара на последния модел
Печатни електронни платки	Професионален обслужващ персонал	Поне 7 години след пускането на пазара на последния модел
Източници на светлина	Професионален обслужващ персонал	Поне 7 години след пускането на пазара на последния модел
Дръжки за врата	Професионални сервизни техници и крайни потребители	Поне 7 години след пускането на пазара на последния модел
Панти за вратите	Професионални сервизни техници и крайни потребители	Поне 7 години след пускането на пазара на последния модел
Тави	Професионални сервизни техници и крайни потребители	Поне 7 години след пускането на пазара на последния модел
Кошници	Професионални сервизни техници и крайни потребители	Поне 7 години след пускането на пазара на последния модел
Уплътнения на вратите	Професионални сервизни техници и крайни потребители	Поне 10 години след пускането на пазара на последния модел

## Уважаеми клиенти

1. Ако искате да върнете или замените продукта, моля, свържете се с магазина, от който сте го купили.  
(Не забравяйте да донесете фактурата за покупката)
2. Ако вашият продукт се повреди и трябва да се поправи, моля, свържете се с представител, предлагащ следпродажбено обслужване.

## ЗАБЕЛЕЖКА

Информацията за модела в продуктовата база данни, както и идентификаторът на модела, могат да бъдат получени на уеб връзката, сканирана чрез QR кода (ако е наличен) на етикета за енергийна ефективност на продукта.

За повече информация относно енергийната ефективност на уреда, посетете <https://ec.europa.eu> и потърсете с името на модела.

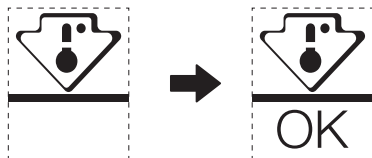
Името на модела се намира на табелката на уреда.

ВГ

## Най-студена зона на хладилника

### ОПЦИОНАЛНО: Индикатор за добра температура

- Индикаторът за добра температура може да се използва за определяне на температури под +4°C. Постепенно намалете температурата, ако знакът не показва „ОК“.



- За да осигурите правилната температура в тази зона, не променяйте разположението на този рафт. При хладилниците с принудителен въздух (моделите, снабдени с вентилатор или обезскрежаване) няма символ за най-студена зона, тъй като температурата в тях е равномерно разпределена.

### Настройка на температурния индикатор

BG

- С цел по-добра настройка на вашия хладилник, той е снабден с температурен индикатор, който следи средната температура в най-студената зона.
- ПРЕДУПРЕЖДЕНИЕ:** Този индикатор е предназначен да работи единствено с вашия хладилник. Не го използвайте за друг хладилник (където най-студената зона е различна) или по какъвто и да е друг начин.

### Проверка на температурата в най-студената зона

- С помощта на температурния индикатор можете редовно да проверявате дали температурата в най-студената зона е правилна. Температурата във вътрешността на хладилника в действителност зависи от няколко фактора, сред които са околната температура в помещението, количеството съхранявана храна и честотата на отваряне на вратата. Вземете предвид тези фактори, когато настройвате уреда.
- Когато индикаторът показва „ОК“, това означава, че термостатът е настроен подходящо и вътрешната температура е правилна.
- Ако цветът на температурния индикатор стане БЯЛ, това означава, че температурата е твърде висока. В такъв случай увеличете настройката за температурата на хладилника и изчакайте 12 часа, преди да проверите индикатора отново. Възможно е индикаторът да стане БЯЛ известно време след добавяне на нова храна или след като вратата била оставена отворена.

## LETRA E FALËNDERIMIT

Ju faleminderit që zgjodhët Midea! Përpara përdorimit të produktit tuaj Midea, ju lutemi që ta lexoni plotësisht këtë manual, për t'u siguruar që të dini të përdorni me siguri veçoritë dhe funksionet që ofron pajisja juaj e re.

# PËRMBAJTJA

LETRA E FALËNDERIMIT .....	01
SPECIFIKIMET .....	02
PAMJE E PËRGJITHSHME E PRODUKTIT .....	03
INSTALIMI I PRODUKTIT .....	04
UDHËZIMET E PËRDORIMIT .....	11
PASTRIMI DHE MIRËMBAJTJA .....	13
ZGJIDHJA E PROBLEMEVE .....	15
DOKUMENTET DHE CERTIFIKIMET .....	17
SHTOJCË .....	18

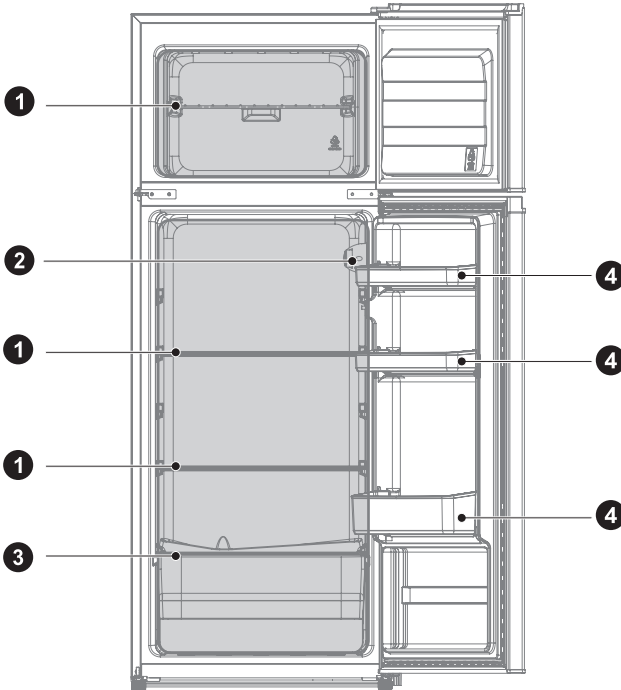
# SPECIFIKIMET

Modeli i produktit	MDRT294FGE01/MDRT294FGE50 /MERT210FGE01/MERT210FGE50
Vëllimi i dhomës për ruajtjen e ushqimeve të freskëta	163 L
Vëllimi i ruajtjes së ushqimeve të ngrira	41 L
Lloji i shkrirjes	Shkrirje manuale
Koha e rritjes së temperaturës	8 h
Kapaciteti i ngrirjes	2,0 kg/24h
Tensioni nominal	220-240 V-
Rryma nominale	0,5 A
Përmasat e përgjithshme (La x Gje x Tra)	1430x550x550 mm

AL

# PAMJE E PËRGJITHSHME E PRODUKTIT

## Emrat e përbërësve



1 Raft

2 Termostati

3 Mbajtësi i freskisë

4 Tabakaja e derës

### ● MBANI PARASYSH

Figura e mësipërme është vetëm për referencë. Konfigurimi aktual do të varet nga produkti fizik ose deklarata e distributorit.

AL

# INSTALIMI I PRODUKTIT

## Udhëzimet e instalimit

### Për pajisjet ftohëse me kategori klimaterike

- Në varësi të kategorisë së klimës, kjo pajisje frigoriferike synohet që të përdoret në diapazonin e temperaturave të ambientit, sipas tabelës së mëposhtme të specifikuar.
- Kategoria klimaterike mund të gjendet në etiketën e të dhënave. Produkti mund të mos funksionojë saktë në temperatura jashtë diapazonit specifik.
- Kategorinë klimatike mund ta gjeni në etiketën e produktit.

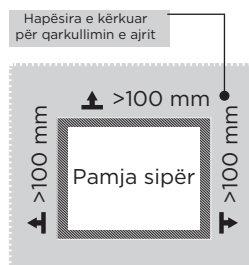
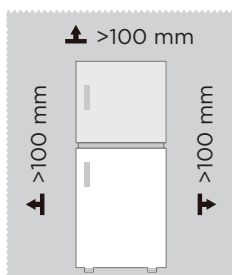
### Rrezja e temperaturës së efektshme

- Produkti bërë që të punojë normalisht në gamën e temperaturave të specifikuar në klasifikim.

Kategoria	Simboli	Diapazoni i temperaturës së ambientit në °C	
		IEC 62552 (ISO 15502)	ISO 8561
Temperaturë mesatare e zgjeruar	SN	+ 10 deri në + 32	+ 10 deri në + 32
Temperaturë mesatare	N	+ 16 deri në + 32	+ 16 deri në + 32
Nëntropikale	ST	+ 16 deri në + 38	+ 18 deri në + 38
Tropikale	T	+ 16 deri në + 43	+ 18 deri në + 43

### Përmasat dhe hapësirat

- Distanca shumë e vogël nga sendet e afërta mund të rezultojë në përkeqësim të aftësisë ngrirëse dhe në rritje të kostove të energjisë elektrike. Lejoni më shumë se 100 mm hapësirë nga çdo mur në afërsi kur të instaloni pajisjen.

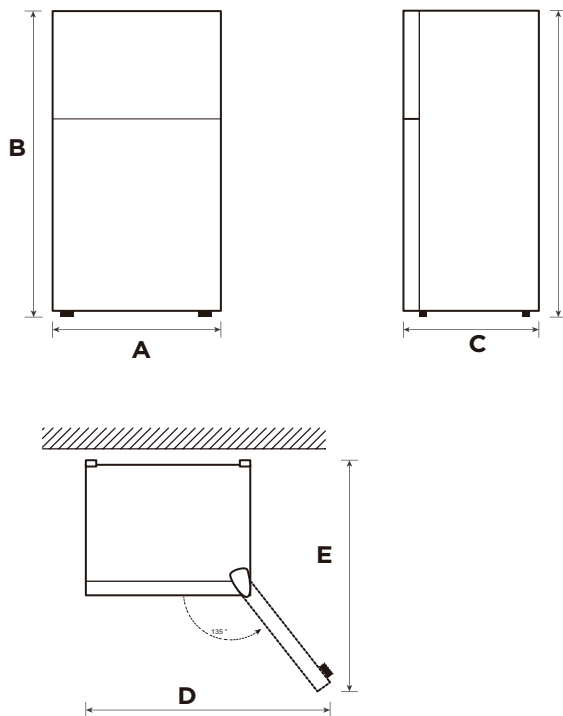


### ● MBANI PARASYSH

Figura e mësipërme është vetëm për referencë. Konfigurimi aktual do të varet nga produkti fizik ose deklarata e distributorit.



Diagrami i kërkesës së hapësirës (kur dera është e hapur dhe kur dera është e mbyllur)



AL

Gjerësia	Lartësia e përgjithshme	Thellësia	Gjerësia me dyer të hapura 135°	Thellësia me dyer të hapura 135°
A	B	C	D	E
550	1430	550	902	1052

Njoftim: Të gjitha përmasat në mm



## Këmbët e nivelimit

Për të shmangur dridhjet, njësia duhet që të nivelohet.

Nëse nevojitet, rregulloni vidat e nivelimit për të kompensuar nivelin e dyshemesë.

Pjesa e përparme duhet të jetë pak më lart sesa e pasmja, për të ndihmuar mbylljen e derës.

Vidat e nivelimit mund të rrotullohen lehtësisht, duke e ngritur pak kabinetin.

Rrotullojini vidat e nivelimit në drejtim të kundërt të akrepave të orës  për ta ngritur njësinë dhe në drejtimin e akrepave të orës  për ta ulur atë.

## Lëvizja e pajisjes

1. Hiqni të gjitha ushqimet nga brenda pajisjes.
2. Hiqni spinën e korrentit, vendoseni dhe fiksojeni te kapësja e spinës së korrentit, në pjesën e pasme ose mbi pajisje.
3. Vendosni ngjitëse te raftet dhe doreza e derës, për të parandaluar rënien gjatë lëvizjes së pajisjes.
4. Lëvizeni pajisjen me kujdes me më shumë se dy persona. Kur ta transportoni pajisjen në distancë të gjatë, mbajeni vertikalisht.
5. Pas instalimit të pajisjes, lidhni spinën e korrentit te priza, për të ndezur pajisjen.

### MBANI PARASYSH

Figura e mësipërme është vetëm për referencë. Konfigurimi aktual do të varet nga produkti fizik ose deklarata e distributorit.

## Ndryshimi i derës djathtas-majtas(opsional)

Bazuar në vendndodhjen ku planifikoni që ta përdorni frigoriferin, mund t'ju duket më komode që të ndërroni pozicionin e derës.

### KUJDES

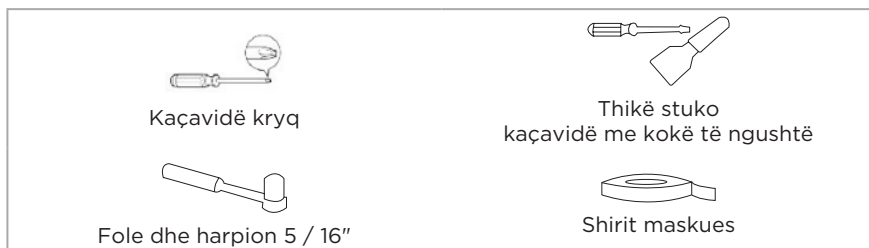
KUJDES: Për të shmangur lëndimin për vete ose pronën tuaj, ju rekomandojmë që t'ju ndihmojë dikush gjatë procesit të ndërrimit të derës.

Përgatitja për të ndërruar pozicionin e derës

Do t'ju duhet: Një kaçavidë standarde, një kaçavidë kryq dhe çelësi i përfshirë.

- Sigurohuni që frigoriferi të jetë hequr nga priza dhe të jetë bosh.
- Kini dikë të disponueshëm që t'ju ndihmojë gjatë procesit.
- Ruajini të gjitha pjesët që hiqni, për t'i përdorur sërish më vonë.

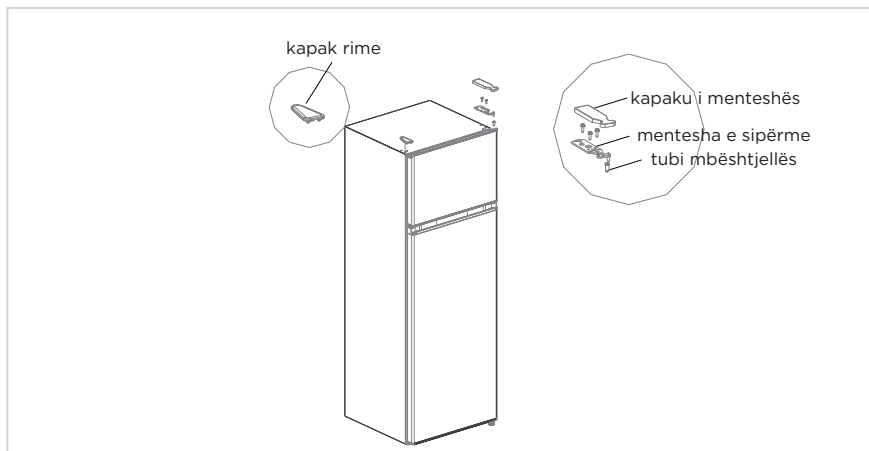
### Veglat që nevojiten për të ndërruar derën:



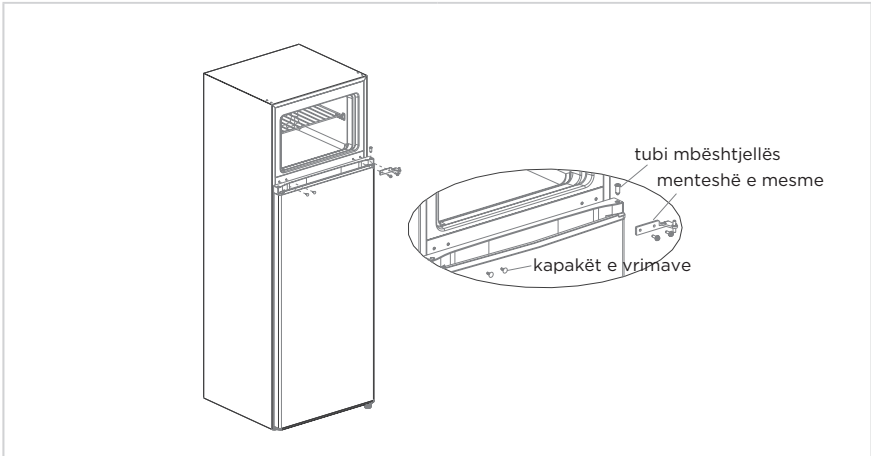
AL

### Shkallë

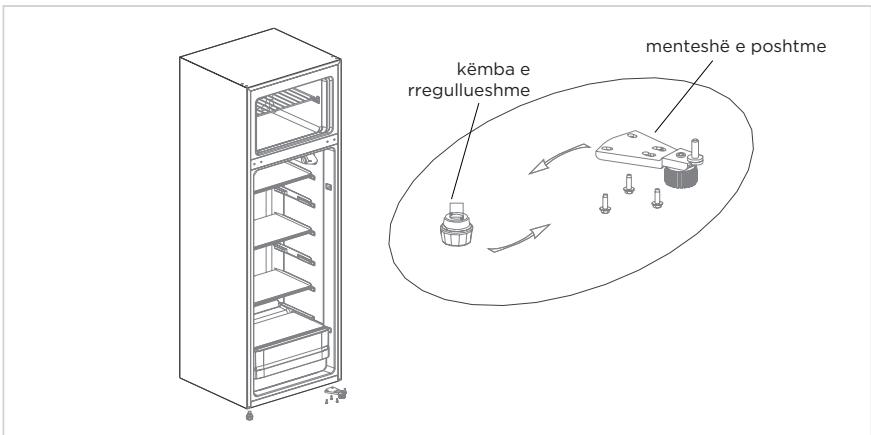
1. Fikeni frigoriferin dhe hiqni të gjitha objektet nga mbajtëset e derës.
2. Hiqni kapakun e menteshës së sipërme, menteshën e sipërme, tubin e fashos së derës së ngrirësit dhe kapakun e vrimës së anës tjetër.



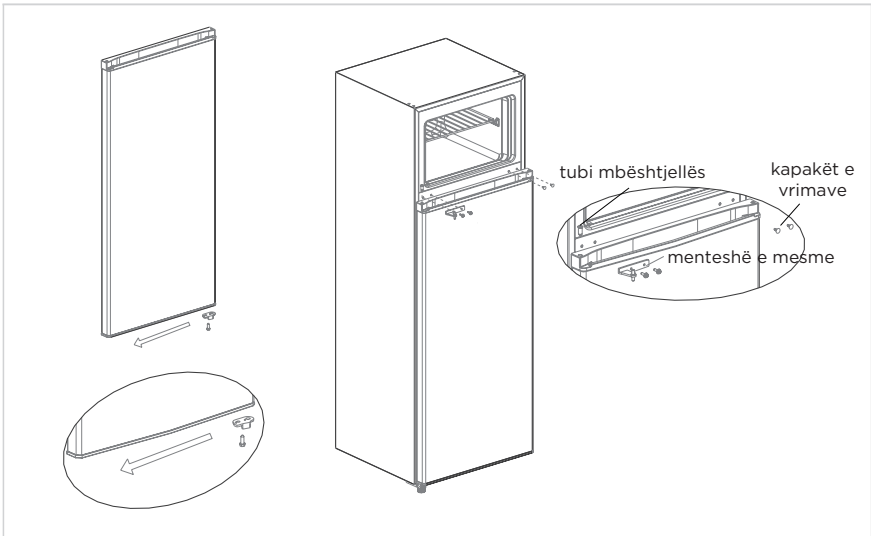
3. Hiqni derën e dhomëzës së ngrirjes, menteshën e mesit, tubin e fashos së derës së frigoriferit dhe kapakun e vrimave të anës tjetër.



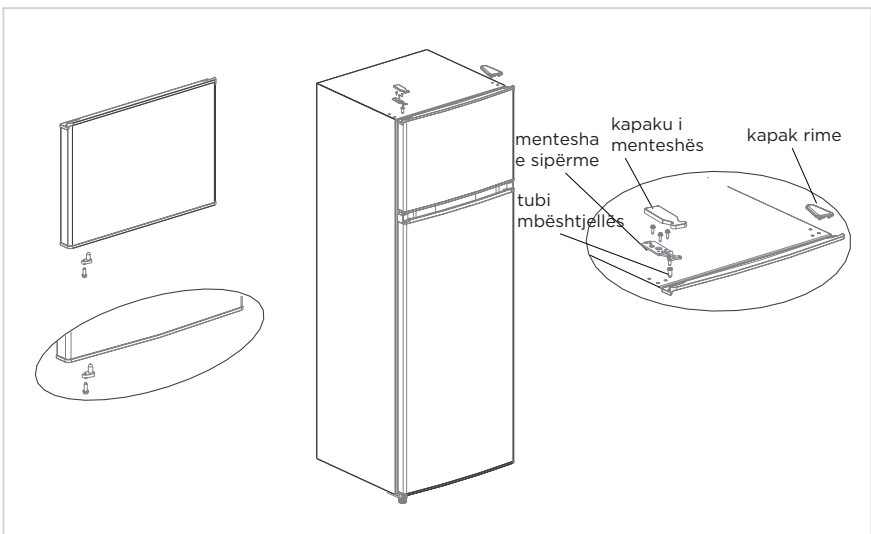
4. Hiqni derën e frigoriferit, hiqni menteshën e poshtme dhe këmbën e rregullueshme të anës tjetër.
5. Montoni grupin e menteshës së poshtme dhe këmbën e rregullueshme në anën tjetër.



6. Montoni ndaluesin në derën e frigoriferit në anën tjetër.
7. Vendosi derën e frigoriferit në menteshën e poshtme, montoni menteshën e mesit, kapakët e vrimave dhe tubin e fashos së derës së frigoriferit.



8. Hiqni ndaluesin e derës së ngrirësit nga paketa e aksesorëve dhe montojeni në anën tjetër të derës së ngrirësit.
9. Hiqni menteshën e sipërme djathtas, kapakun e menteshës së sipërme djathtas nga paketa e aksesorëve; vendosni derën e ngrirësit te mentesha e mesit, vendosni tubin e fashos në vrimën e menteshës së pjesës së majtë lart të derës, montoni menteshën e sipërme dhe kapakun e menteshës së sipërme, pastaj fiksoni kapakun e vrimës në anën tjetër të frigoriferit.



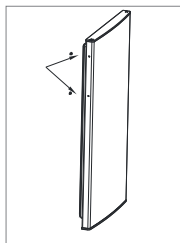
### ● MBANI PARASYSH

Figura e mësipërme është vetëm për referencë. Konfigurimi aktual do të varet nga produkti fizik ose deklarata e distributorit.

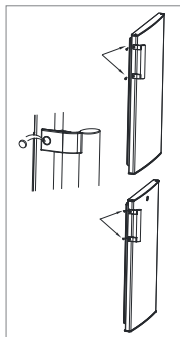
## Ndriçimi për vendosjen e dorezës së derës (opsional)

Shënim: Figurat në manualin e përdorimit janë vetëm për referencë. Produkti aktual mund të ndryshojë pak. Frigoriferi duhet të shkëputet nga burimi elektrik përpara se të përpiqni të instaloni aksesoren.

Hapi 1: hiqni dy kunjat me dhëmbë nga dera (ana e derës e hapur)

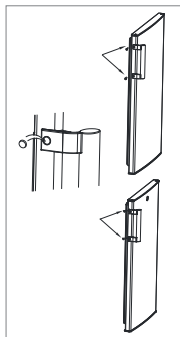


Hapi 2: Vendosni dorezën e derës te dera dhe shtrëngojeni me vida



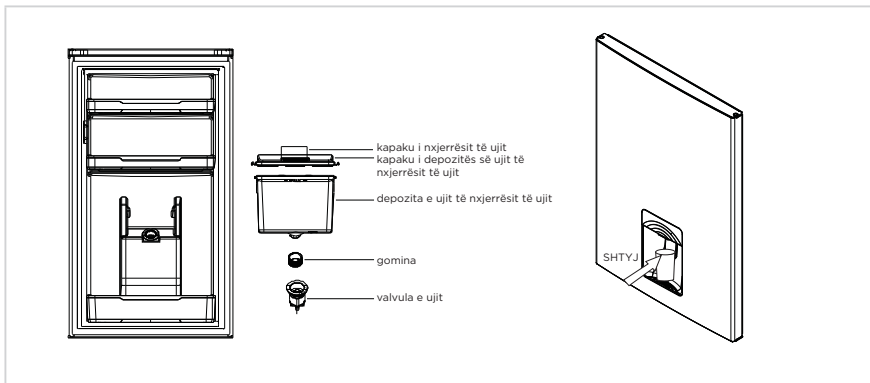
Hapi 3: Mbuloni vrimat e vidave të dorezës me kapakët e vidave

\* Figura e mësipërme është vetëm për referencë. Konfigurimi aktual do të varet nga produkti fizik ose deklarata e distributorit



## Përdorimi i nxjerrësit të ujit (opsional)

1. Hapni fillimisht kapakun e hyrjes së ujit, mbusheni me ujë të pijshëm deri te shenja "MAX" si sasia maksimale e ujit.
2. Përdorni gotën për ta shtyrë këmbëzën brenda, uji do të dalë dhe kur këmbëza të kthehet në pozicionin fillestar, uji do të ndalojë.
3. Nxjerrësi i ujit mund të përdoret vetëm për ujë të pastër dhe nuk është i përshtatshëm për pije ose lëngje frutash.



# UDHËZIMET E PËRDORIMIT

## Ndezja e njësisë

Cilësimi "Off": njësia e fikur

Cilësimi "Min": temperaturë më pak e ftohtë

Cilësimi "Med" ose "MID": përdorim normal (i përshtatshëm për shumicën e situatave)

Cilësimi "Max": temperatura më e ftohtë

- Gjatë temperaturave të larta të ambientit, p.sh. në ditët e nxehta të verës. Mund të jetë e nevojshme që ta caktoni termostatit në caktimin Më e ftohta (pozicioni "Max"). Kjo mund të bëjë që kompresori të punojë vazhdimisht, që ta mbajë temperaturën të ulët në kabinet.
- Herën e parë që instaloni frigoriferin, caktojini çelësin e termostatit në "Med". Jepini kohë frigoriferit që të ftohet plotësisht përpara se të vendosni ushqim. Bëni mirë që të prisni 24 orë përpara se të vendosni ushqim. Çelësi i termostatit kontrollon temperaturën. Kur çelësi i termostatit vendoset në OFF, frigoriferi nuk punon.

## Këshilla për mbajtjen e ushqimit në njësi

Mishi/peshku i gatuar duhet të ruhet gjithmonë në një raft mbi mishin/peshkun e pagatuar, për të shmangur transferimin e baktereve. Mbajeni mishin/peshkun e pagatuar në një enë mjaftueshëm të madhe për të mbledhur lëngje dhe mbulojeni siç duhet. Vendoseni enën te rafti më i ulët.

- Lini hapësirë përreth ushqimit, për të lejuar qarkullimin e ajrit brenda njësisë. Sigurohuni që të gjitha pjesët e njësisë të qëndrojnë të ftohta.
- Për të parandaluar transferimin e aromave dhe tharjen, paketojini ose mbulojini ushqimet veçmas. Frutat dhe perimet nuk kanë nevojë që të mbështillen.
- Lëreni gjithmonë ushqimin e gatuar paraprakisht që të ftohet, përpara se ta vendosni te njësia. Kjo do të ndihmojë në ruajtjen e temperaturës së brendshme të njësisë.
- Për të parandaluar daljen e ajrit të ftohtë nga njësia, përpiquni që të kufizoni hapjen e derës. Ju rekomandojmë që ta hapni derën vetëm kur t'ju duhet që të vendosni ose të nxirrni ushqim.

## Ndërrimi i llambës

Ndërrimi i llambës nga profesionistët.

Rendi	LLOJI i hapësirës	Temperatura e synuar e ruajtjes [°C]	Ushqimi i përshtatshëm
1	Frigoriferi	+2 - +8	Vezët, ushqimet e gatuar, ushqimet e paketuara, frutat dhe perimet, produktet e bulmetit, kekët, pijet dhe ushqimet e tjera nuk janë të përshtatshme për ngrirje.
2	(***)*-Ngrirësi	≤-18	Produktet e detit (peshqit, karkalecat e detit, midhjet), produktet e ujit të ëmbël dhe produktet e mishit (rekomandohet për 3 muaj); sa më e gjatë të jetë koha e ruajtjes, aq më e keqe është shija dhe vlerat ushqyese), e përshtatshme për ngrirjen e ushqimeve të freskëta.
3	****-Ngrirësi	≤-18	Produktet e detit (peshqit, karkalecat e detit, midhjet), produktet e ujit të ëmbël dhe produktet e mishit (rekomandohet për 3 muaj); sa më e gjatë të jetë koha e ruajtjes, aq më e keqe është shija dhe vlerat ushqyese), e përshtatshme për ngrirjen e ushqimeve të freskëta.
4	** -Ngrirësi	≤-12	Produktet e detit (peshqit, karkalecat e detit, midhjet), produktet e ujit të ëmbël dhe produktet e mishit (rekomandohet për 3 muaj); sa më e gjatë të jetë koha e ruajtjes, aq më e keqe është shija dhe vlerat ushqyese), e përshtatshme për ngrirjen e ushqimeve të freskëta.
5	*-Ngrirësi	≤-6	Produktet e detit (peshqit, karkalecat e detit, midhjet), produktet e ujit të ëmbël dhe produktet e mishit (rekomandohet për 3 muaj); sa më e gjatë të jetë koha e ruajtjes, aq më e keqe është shija dhe vlerat ushqyese), e përshtatshme për ngrirjen e ushqimeve të freskëta.
6	0-yje	-6 - 0	Mishi i freskët i derrit, i lopës, i pulës, disa ushqime të përpunuara të paketuara etj. (Rekomandohen që të hahen brenda ditës, preferohet jo më shumë se 3 ditë). Ushqime të përpunuara të paketuara pjesërisht (ushqime që nuk duhet të ngrijnë).
7	Ftohje	-2 - +3	Mish derri i freskët/i ngrirë, mish lope, mish pule, produkte uji të ëmbël etj. (7 ditë nën 0°C dhe mbi 0°C rekomandohet për konsum brenda asaj dite, preferohet jo më shumë se 2 ditë). Produktet e detit (jo më pak se 0 për 15 ditë, nuk rekomandohet të ruhet mbi 0°C.)
8	Ushqim i freskët	0 - +4	Mishi i freskët i derrit, i lopës, i pulës, ushqime të gatuar etj. (Rekomandohen që të hahen brenda ditës, preferohet jo më shumë se 3 ditë)
9	Verë	+5 - +20	Verë e kuqe, verë e bardhë, verë me gaz etj.

### ● MBANI PARASYSH

Ju lutemi t'i ruani ushqimet e ndryshme në përputhje me hapësirat ose temperaturat e synuara të ruajtjes që janë blerë.



# PASTRIMI DHE MIRËMBAJTJA

## Shkrirja e akullit

- Fikeni frigoriferin.
- Hiqni ushqimin nga frigoriferi dhe vendoseni atë siç duhet, për të parandaluar shkrirjen e ushqimit.
- Pastrojini tubin e kullimit (përdorni materiale të buta për të mos dëmtuar veshjen), përgatitni enët e ujit për shkrirje. (bëni kujdes që të pastroni tabakanë e zbrazjes së ujit në ndarjen e kompresorit, për të shmangur derdhjen në tokë).
- Mund të përdorni gjithashtu një sasi të duhur me ujë të nxehtë për të shpejtuar shkrirjen, me një peshqir të thatë për të tharë ujin pas shkrirjes.
- Mund të përdorni gjithashtu një sasi të duhur me ujë të nxehtë për të shpejtuar shkrirjen, me një peshqir të thatë për të tharë ujin pas shkrirjes.
- Pas shkrirjes, vendosini ushqimet përsëri në kabinet dhe ndizeni frigoriferin.

## Ndalimi i përdorimit

### Ndërprerje energjie:

Në rast ndërprerjeje energjie, edhe kur është verë, ushqimet brenda pajisjes mund të ruhen për disa orë; gjatë ndërprerjes së energjisë dyert nuk duhet të hapen shumë herë dhe të mos vendosen ushqime të tjera të freskëta në pajisje.

### Kur nuk përdoret për një kohë të gjatë:

Pajisja duhet të shkëputet dhe të pastrohet, pastaj dyert të mbahen hapur për të parandaluar aromat e këqija.

### Kur transferoheni:

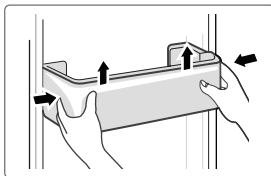
Ngjitini pjesët, mbajtësi i perimeve, sirtarët e dhomëzës së ngrirjes etj. me ngjitëse dhe shtrëngoni këmbët niveluese; mbyllni dyert dhe fiksojini me ngjitëse. Gjatë transportimit, pajisja nuk duhet të vendoset me kokë poshtë ose horizontalisht ose të dridhet; këndi gjatë transportimit nuk duhet të jetë më i madh se 45°.

### MBANI PARASYSH

Pas ndezjes, pajisja duhet të mbahet në punë vazhdimisht. Përgjithësisht, përdorimi i pajisjes nuk duhet të ndërpritet; përndryshe mund të shkurtohet jetëgjatësia e shërbimit. Ushqimet mund të ruhen për disa orë edhe në verë në rast ndërprerjeje energjie; rekomandohet që të mos e hapni derën shpesh.

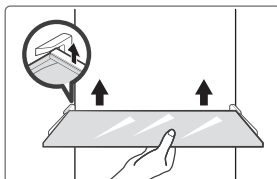
## Pastrimi i tabakasë së derës

- Në përputhje me drejtimin e shigjetave në figurën e mëposhtme, përdorni të dyja duart për ta shtypur tabakanë dhe shtyjeni për lart dhe pastaj mund ta nxirrni.
- Pas larjes së tabakasë që keni nxjerrë, mund të rregulloni lartësinë e vendosjes së saj sipas nevojave tuaja.



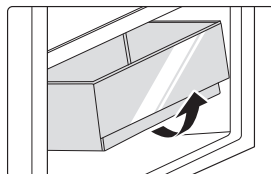
## Pastrimi i raftit prej xhami

- Meqenëse pjesa fundore e veshjes së frigoriferit ku bën kontakt me raftet ka një ndalesë, duhet t'i ngrini raftet lart dhe atëherë mund t'i hiqni.
- Rregulloni ose pastroni raftet sipas nevojës suaj.



## Pastrimi i raftit të perimeve

1. Hiqni artikujt nga rafti. Mbani dorezën e raftit të perimeve dhe tërhiqeni plotësisht derisa të ndalojë.
2. Ngrini lart raftin e perimeve dhe hiqeni duke e tërhequr.



## ● MBANI PARASYSH

Për pastrim sugjerohen peshqirë të butë ose një sfungjer i zhytur në ujë dhe detergjente neutrale që nuk gërryejnë. Ngrirësi duhet të pastrohet në fund me ujë të pastër dhe një leckë të thatë. Hapeni derën për tharje natyrale para se ta ndizni përsëri. Mos përdorni furça të forta, tela pastrimi, furça me tel, gërryes si pastë dhëmbësh, tretës organikë (si alkool, acetone, vaj bananeje etj.), ujë të vluar, artikuj me acid ose alkale për të pastruar frigoriferin, sepse këto mund të dëmtojnë sipërfaqen e frigoriferit dhe pjesën e brendshme.

# ZGJIDHJA E PROBLEMEVE

Problemet e thjeshta të mëposhtme mund të zgjidhen nga përdoruesi. Ju lutem të telefononi servisin nëse problemet nuk zgjidhen.

Problemi	Arsyeja e mundshme
Pajisja nuk punon	<ul style="list-style-type: none"> <li>Kontrolloni nëse pajisja është lidhur në rrymë ose nëse spina është vendosur mirë.</li> </ul>
	<ul style="list-style-type: none"> <li>Kontrolloni nëse tensioni është shumë i ulët.</li> </ul>
	<ul style="list-style-type: none"> <li>Kontrolloni nëse ka ndërprerje energjie ose ka rënë ndonjë siguresë.</li> </ul>
Aromë e keqe	<ul style="list-style-type: none"> <li>Mbështillni mirë ushqimet me erë të fortë.</li> </ul>
	<ul style="list-style-type: none"> <li>Kontrolloni nëse ka ushqime të prishura.</li> </ul>
	<ul style="list-style-type: none"> <li>Pastroni pjesën e brendshme të frigoriferit.</li> </ul>
Përdorimi i kompresorit për një kohë të gjatë.	<ul style="list-style-type: none"> <li>Përdorimi i frigoriferit për një kohë të gjatë është normal gjatë verës kur temperatura e ambientit është e lartë.</li> </ul>
	<ul style="list-style-type: none"> <li>Nuk sugjerohet që të mbani shumë ushqim në pajisje në të njëjtën kohë.</li> </ul>
	<ul style="list-style-type: none"> <li>Përpara se të vendosen në pajisje, ushqimet duhet të ftohen.</li> <li>Dyert hapen shumë shpesh.</li> </ul>
Drita nuk ndizet	<ul style="list-style-type: none"> <li>Kontrolloni nëse frigoriferi është lidhur me furnizimin me energji dhe nëse drita është e dëmtuar.</li> </ul>
	<ul style="list-style-type: none"> <li>Ndërrojeni dritën me një specialist</li> </ul>
Dera nuk mund të mbyllet siç duhet	<ul style="list-style-type: none"> <li>Dera ka ngecur nga paketat e ushqimeve. Ka shumë ushqime.</li> </ul>
	<ul style="list-style-type: none"> <li>Frigoriferi është i anuar.</li> </ul>
Zhurmë e lartë	<ul style="list-style-type: none"> <li>Kontrolloni nëse dyshemeja është në nivel dhe nëse frigoriferi është vendosur që të mos lëvizë.</li> </ul>
	<ul style="list-style-type: none"> <li>Kontrolloni nëse pjesët janë vendosur në vendet e duhura.</li> </ul>

AL

Problemi	Arsyeja e mundshme
Gomina e derës nuk mbyllet mirë	<ul style="list-style-type: none"> <li>• Hiqni materialet e huaja nga gomina e derës.</li> <li>• Ngrohni gominën e derës dhe pastaj ftohni që të rikthehet forma (për ta ngrohur përdorni një tharëse flokësh ose një peshqir të nxehtë).</li> </ul>
Tabakaja e mbledhjes së ujit derdhet	<ul style="list-style-type: none"> <li>• Ka shumë ushqim brenda hapësirës ose ushqimi i ruajtur ka shumë ujë, që sjell shkrirje të madhe.</li> <li>• Dyert nuk janë mbyllur saktë, duke krijuar brymë kur hyn ajri dhe rritje të nivelit të ujit për shkak të shkrirjes.</li> </ul>
Fole e nxehtë	<ul style="list-style-type: none"> <li>• Përhapja e nxehtësisë së kondensatorit të integruar nga foleja është normale. Kur foleja nxehet për shkak të temperaturës së lartë të ambientit, ruajtjes së një sasive të madhe ushqimi ose fikjes së kompresorit, mundësoni një ajrim të mirë, për të lehtësuar shpërndarjen e nxehtësisë</li> </ul>
Kondensim i sipërfaqes	<ul style="list-style-type: none"> <li>• Kondensimi i sipërfaqes së jashtme dhe gominave të dyerve të frigoriferit është normal kur lagështia e ambientit është shumë e lartë. Thjesht thajeni kondensimin me një peshqir të pastër.</li> </ul>
Zhurmë anormale	<ul style="list-style-type: none"> <li>• Zukatje: Kompresori mund të prodhojë zhurmë zukatjeje gjatë përdorimit dhe kjo zukatje është e lartë veçanërisht gjatë ndezjes ose ndalimit. Kjo është normale.</li> <li>• Gërvimë: Gazi ftohës që rrjedh brenda pajisjes mund të krijojë një zhurmë gërvime, e cila është normale.</li> </ul>

AL

# DOKUMENTET DHE CERTIFIKIMET

## Deklarata e konformitetit

Nëpërmjet këtij dokumenti, konfirmojmë se emrat e mëposhtëm të modelit të klientit dhe emrat e modelit të Midea-s përputhen përkatësisht me njëra-tjetrën.

Marka	Modeli i Midea-s	Modeli i marketingut	Modeli i fabrikës
Midea	HD-273FN	MDRT294FGE01	CE-BCD210CM-JQ
Midea	HD-273FN	MDRT294FGE50	CE-BCD210CM-JQ
Midea	HD-273FN	MERT210FGE01	CE-BCD210CM-JQ
Midea	HD-273FN	MERT210FGE50	CE-BCD210CM-JQ

AL

Emri i prodhuesit:

Guangzhou Midea Hualing Refrigerator Co., Ltd.

Adresa e prodhuesit:

No. 5 Xinguangsi Road, Qianfeng Zhujiang, Nansha District, Guangzhou City, Guangdong Province, Republika Popullore e Kinës

Ne, Guangzhou Midea Hualing Refrigerator Co., Ltd., deklarojmë se produktet e lartpërmendura pajtohen me rregulloret dhe standardet e lartpërmendura të vlefshme aktualisht.

# SHTOJCË

## Veçanërisht për standardin e ri evropian

Pjesët e porositura në tabelën e mëposhtme mund të blihen nëpërmjet kanalit të ofruesit të shërbimeve

Pjesa e porositur	Ofrohet nga	Koha minimale që kërkohet për sigurimin
Termostate	Personali profesionist i mirëmbajtjes	Të paktën 7 vjet pas nxjerrjes në treg të modelit të fundit
Sensorë temperature	Personali profesionist i mirëmbajtjes	Të paktën 7 vjet pas nxjerrjes në treg të modelit të fundit
Panele qarku të stampuar	Personali profesionist i mirëmbajtjes	Të paktën 7 vjet pas nxjerrjes në treg të modelit të fundit
Burimet e dritës	Personali profesionist i mirëmbajtjes	Të paktën 7 vjet pas nxjerrjes në treg të modelit të fundit
Doreza dyersh	Riparuesit profesionistë dhe përdoruesit përfundimtarë	Të paktën 7 vjet pas nxjerrjes në treg të modelit të fundit
Mentesha e deres	Riparuesit profesionistë dhe përdoruesit përfundimtarë	Të paktën 7 vjet pas nxjerrjes në treg të modelit të fundit
Tabakatë	Riparuesit profesionistë dhe përdoruesit përfundimtarë	Të paktën 7 vjet pas nxjerrjes në treg të modelit të fundit
Shportat	Riparuesit profesionistë dhe përdoruesit përfundimtarë	Të paktën 7 vjet pas nxjerrjes në treg të modelit të fundit
Gomina dere	Riparuesit profesionistë dhe përdoruesit përfundimtarë	Të paktën 10 vjet pas nxjerrjes në treg të modelit të fundit

## I nderuar klient,

1. Nëse dëshironi që ta ktheni ose ta zëvendësoni produktin, ju lutemi të kontaktoni dyqanin ku e bletë.  
(Mos harroni të merrni me vete faturën e blerjes)
2. Nëse produkti prishet dhe ka nevojë për riparim, ju lutemi të kontaktoni kompaninë e shërbimeve pas shitjes.

## MBANI PARASYSH

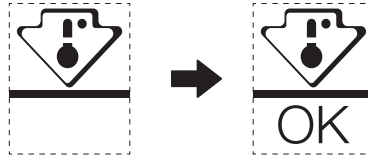
Informacioni i modelit në bazën e të dhënave të produktit, si dhe identifikuesi i modelit mund të gjenden nëpërmjet lidhjes së internetit, duke skanuar kodin QR nëse ka, mbi etiketën e efikasitetit të energjisë së produktit.

Për më shumë informacion rreth efikasitetit të energjisë së pajisjes, vizitoni <https://ec.europa.eu> dhe kërkoni duke përdorur emrin e modelit. Emri i modelit mund të gjendet në etiketën e klasifikimit të pajisjes.

## Zona më e ftohtë në frigorifer

### OPSIONALE: Treguesi i temperaturës OK

- Treguesi i temperaturës OK mund të përdoret për të përcaktuar temperatura nën +4°C. Ulni gradualisht temperaturën nëse shenja nuk tregon “OK”.



- Për të garantuar temperaturën në këtë zonë, mos e ndryshoni pozicionin e raftit. Frigoriferët me ajër të forcuar (të pajisur me ventilator ose modelet Pa Ngrirje), simboli i zonës më të ftohtë nuk tregohet sepse temperatura brenda është homogjene.

### Konfigurimi i treguesit të temperaturës

- Për t’ju ndihmuar ta konfiguroni mirë frigoriferin, ai është i pajisur me një tregues temperature që monitoron temperaturën mesatare në zonën më të ftohtë.
- **PARALAJMËRIM:** Ky tregues ka për qëllim të punojë vetëm me frigoriferin tuaj, mos e përdorni në një frigorifer tjetër (në fakt, zona më e ftohtë nuk është e njëjtë), apo për ndonjë përdorim tjetër.

AL

### Kontrollimi i temperaturës në zonën më të ftohtë

- Me treguesin e temperaturës, mund të kontrolloni rregullisht që temperatura e zonës më të ftohtë është e saktë. Por, temperatura e brendshme e frigoriferit varet nga disa faktorë, si temperatura e ambientit të dhomës, sasia e ushqimit të ruajtur dhe shpeshtësia e hapjes së derës. Duhet të merren parasysh këta faktorë kur konfigurohet pajisja.
- Kur treguesi thotë «OK», kjo do të thotë që termostati është vendosur mirë dhe temperatura e brendshme është e saktë.
- Nëse treguesi i temperaturës bëhet I BARDHË, kjo do të thotë që temperatura është tepër e lartë; në këtë rast, rriteni kontrollin e temperaturës së frigoriferit dhe prisni 12 orë para se të bëni një kontroll tjetër me sy të treguesit. Kur futen ushqime të freskëta ose dera është lënë hapur, ekziston mundësia që treguesi i temperaturës të bëhet I BARDHË pas njëfarë kohe.

## **ΕΥΧΑΡΙΣΤΙΕΣ**

Σας ευχαριστούμε που επιλέξατε την Midea! Πρωτού χρησιμοποιήσετε το νέο σας προϊόν της Midea, διαβάστε προσεκτικά αυτό το εγχειρίδιο για να βεβαιωθείτε ότι γνωρίζετε πώς να χειρίζεστε τις δυνατότητες και τις λειτουργίες που προσφέρει η νέα σας συσκευή με ασφάλεια.

# ΠΕΡΙΕΧΟΜΕΝΑ

<b>ΕΥΧΑΡΙΣΤΙΕΣ</b> .....	01
<b>ΠΡΟΔΙΑΓΡΑΦΕΣ</b> .....	02
<b>ΕΠΙΣΚΟΠΗΣΗ ΠΡΟΪΟΝΤΟΣ</b> .....	03
<b>ΕΓΚΑΤΑΣΤΑΣΗ ΠΡΟΪΟΝΤΟΣ</b> .....	04
<b>ΟΔΗΓΙΕΣ ΛΕΙΤΟΥΡΓΙΑΣ</b> .....	11
<b>ΚΑΘΑΡΙΣΜΟΣ ΚΑΙ ΣΥΝΤΗΡΗΣΗ</b> .....	13
<b>ΑΝΤΙΜΕΤΩΠΙΣΗ ΠΡΟΒΛΗΜΑΤΩΝ</b> .....	15
<b>ΔΗΛΩΣΗ ΣΥΜΜΟΡΦΩΣΗΣ ΚΑΙ ΠΙΣΤΟΠΟΙΗΣΕΙΣ</b> .....	17
<b>ΠΑΡΑΡΤΗΜΑ</b> .....	18

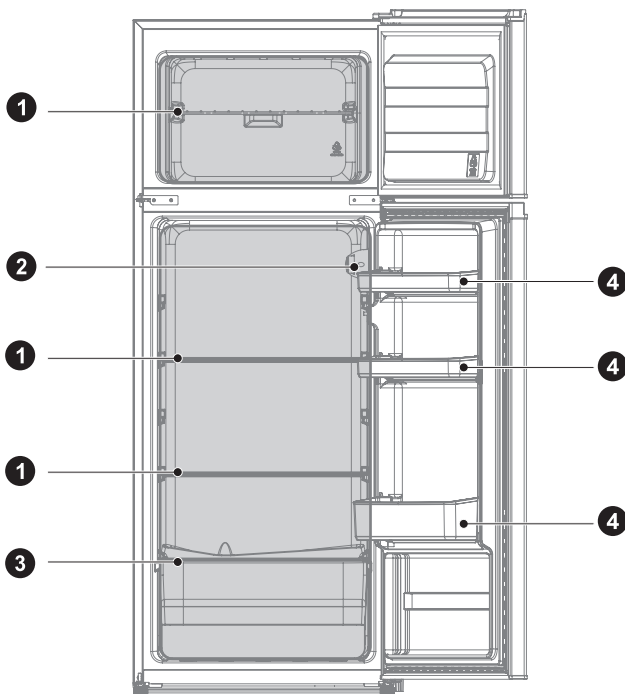


# ΠΡΟΔΙΑΓΡΑΦΕΣ

Μοντέλο προϊόντος	MDRT294FGE01/MDRT294FGE50/ MERT210FGE01/MERT210FGE50
Όγκος φρέσκων τροφίμων	163 L
Όγκος κατεψυγμένων τροφίμων	41 L
Τύπος απόψυξης	Χειροκίνητη απόψυξη
Χρόνος ανόδου θερμοκρασίας	8 h
Ικανότητα κατάψυξης	2,0 kg/24h
Ονομαστική τάση	220-240 V~
Ονομαστικό ρεύμα	0,5 A
Συνολικές διαστάσεις (Υ × Π × Β)	1430x550x550 mm

# ΕΠΙΣΚΟΠΗΣΗ ΠΡΟΪΟΝΤΟΣ

## Όνομασία των εξαρτημάτων



1 Ράφι

2 Θερμοστάτης

3 Συρτάρι λαχανικών

4 Ράφι πόρτας

### ● ΠΡΟΣΟΧΗ

Η παραπάνω εικόνα προορίζεται μόνο για σκοπούς αναφοράς. Η διαμόρφωση εξαρτάται από το εκάστοτε προϊόν ή τη δήλωση του διανομέα.

# ΕΓΚΑΤΑΣΤΑΣΗ ΠΡΟΪΟΝΤΟΣ

## Οδηγίες εγκατάστασης

### Για συσκευές ψύξης με κλιματική κλάση

- Ανάλογα με την κλιματική κλάση, αυτή η ψυκτική συσκευή προορίζεται για χρήση σε εύρος θερμοκρασίας περιβάλλοντος όπως αυτό που καθορίζεται στον ακόλουθο πίνακα.
- Η κλιματική κλάση βρίσκεται στην πινακίδα χαρακτηριστικών. Το προϊόν ενδέχεται να μην λειτουργεί σωστά σε θερμοκρασίες εκτός του καθορισμένου εύρους.
- Μπορείτε να βρείτε την κλιματική κλάση στην ετικέτα του προϊόντος.

### Εύρος θερμοκρασίας λειτουργίας

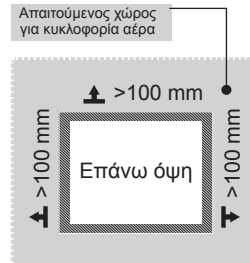
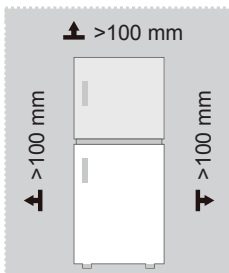
- Το προϊόν έχει σχεδιαστεί να λειτουργεί κανονικά εντός του εύρους θερμοκρασίας που καθορίζεται από τον βαθμό κλάσης του.

Κατηγορία	Σύμβολο	Εύρος θερμοκρασίας περιβάλλοντος °C	
		IEC 62552 (ISO 15502)	ISO 8561
Εκτεταμένο εύκρατο	SN	+ 10 έως + 32	+ 10 έως + 32
Εύκρατο	N	+ 16 έως + 32	+ 16 έως + 32
Υποτροπικό	ST	+ 16 έως + 38	+ 18 έως + 38
Τροπικό	T	+ 16 έως + 43	+ 18 έως + 43

GR

### Διαστάσεις και αποστάσεις

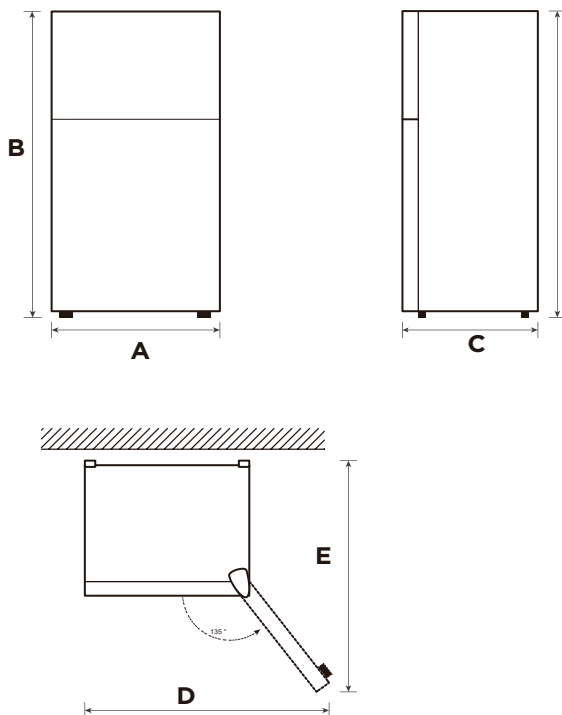
- Οι υπερβολικά μικρές αποστάσεις από παρακείμενα αντικείμενα ενδέχεται να οδηγήσουν σε υποβάθμιση της ικανότητας κατάψυξης και σε αυξημένη κατανάλωση ηλεκτρικής ενέργειας. Κατά την εγκατάσταση της συσκευής, αφήστε απόσταση πάνω από 100 mm από κάθε παρακείμενο τοίχο.



### ΠΡΟΣΟΧΗ

Η παραπάνω εικόνα προορίζεται μόνο για σκοπούς αναφοράς. Η διαμόρφωση εξαρτάται από το εκάστοτε προϊόν ή τη δήλωση του διανομέα.

Διάγραμμα απαιτούμενου χώρου (όταν η πόρτα είναι ανοιχτή και όταν η πόρτα είναι κλειστή)



GR

Πλάτος	Συνολικό ύψος	Βάθος	Πλάτος ανοιχτής πόρτας 135°	Βάθος ανοιχτής πόρτας 135°
A	B	C	D	E
550	1430	550	902	1052

Σημείωση: Όλες οι διαστάσεις είναι σε mm



## Πόδια οριζοντίωσης

Για την αποφυγή κραδασμών, η μονάδα πρέπει να είναι οριζοντιωμένη.

Εάν απαιτείται, ρυθμίστε τις βίδες οριζοντίωσης για να αντισταθμίσετε τυχόν ανωμαλίες του δαπέδου.

Το μπροστινό μέρος πρέπει να είναι ελαφρώς ψηλότερα από το πίσω μέρος, προκειμένου να διευκολύνεται το κλείσιμο της πόρτας.

Οι βίδες οριζοντίωσης μπορούν να περιστραφούν εύκολα γέροντας ελαφρά τον θάλαμο.

Περιστρέψτε τις βίδες οριζοντίωσης αριστερόστροφα  για να ανυψώσετε τη μονάδα και δεξιόστροφα  για να τη χαμηλώσετε.

## Μετακίνηση της συσκευής

1. Αφαιρέστε όλα τα τρόφιμα από τη συσκευή.
2. Αποσυνδέστε το φιν τροφοδοσίας, τοποθετήστε και στερεώστε το στο άγκιστρο του φιν τροφοδοσίας στο πίσω ή στο επάνω μέρος της συσκευής.
3. Ασφαλίστε με κολλητική ταινία τα κινούμενα μέρη, όπως τα ράφια και λαβή της πόρτας, ώστε να μην πέσουν κατά τη μετακίνηση της συσκευής.
4. Μετακινήστε προσεκτικά τη συσκευή με τουλάχιστον από δύο άτομα. Κατά τη μεταφορά της συσκευής σε μεγάλη απόσταση, κρατήστε τη συσκευή σε όρθια θέση.
5. Μετά την εγκατάσταση της συσκευής, συνδέστε το βύσμα τροφοδοσίας σε μια πρίζα για να ενεργοποιήσετε τη συσκευή.

### ΠΡΟΣΟΧΗ

Η παραπάνω εικόνα προορίζεται μόνο για σκοπούς αναφοράς. Η διαμόρφωση εξαρτάται από το εκάστοτε προϊόν ή τη δήλωση του διανομέα.

## Αλλαγή αριστερής-δεξιάς τοποθέτησης πόρτας(προαιρετικά)

Με βάση τη θέση στην οποία σκοπεύετε να χρησιμοποιήσετε το ψυγείο σας, ενδέχεται να σας βολέψει περισσότερο η αντιστροφή της θέσης της πόρτας.

### ΠΡΟΣΟΧΗ

ΠΡΟΣΟΧΗ: Για να αποφύγετε τυχόν τραυματισμό ή υλικές ζημιές, συνιστούμε να σας βοηθήσει κάποιος κατά τη διαδικασία αντιστροφής της πόρτας.

Προετοιμασία για αντιστροφή της θέσης της πόρτας

Θα χρειαστείτε: Ένα ίσιο κατσαβίδι, ένα σταυροκατσάβιδο και το παρεχόμενο κλειδί Allen.

- Βεβαιωθείτε ότι το ψυγείο σας είναι αποσυνδεδεμένο από την πρίζα και άδειο.
- Ζητήστε τη βοήθεια ενός δεύτερου ατόμου για να σας βοηθήσει στη διαδικασία.
- Φυλάξτε όλα τα εξαρτήματα που αφαιρείτε για να τα επαναχρησιμοποιήσετε αργότερα.

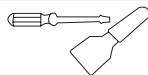
### Εργαλεία που απαιτούνται για αντιστροφή της πόρτας:



Σταυροκατσάβιδο



5/16" κλειδί και κασάνια



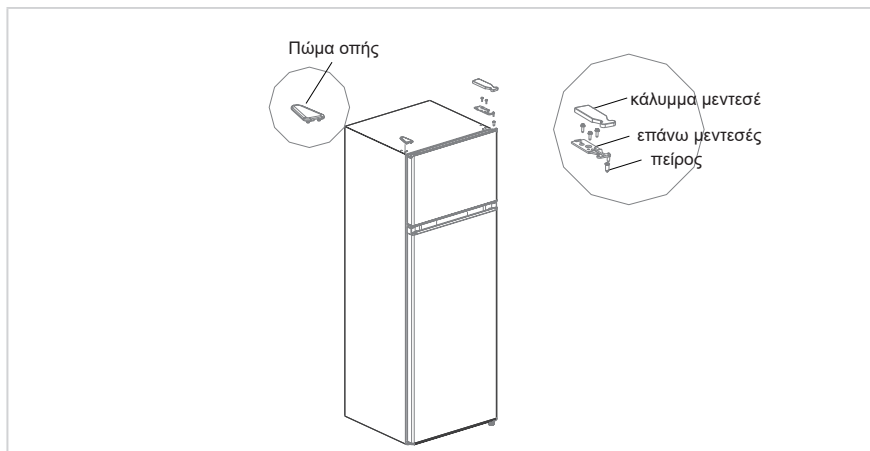
Σπάτουλα  
Κατσαβίδι με λεπτή λάμα



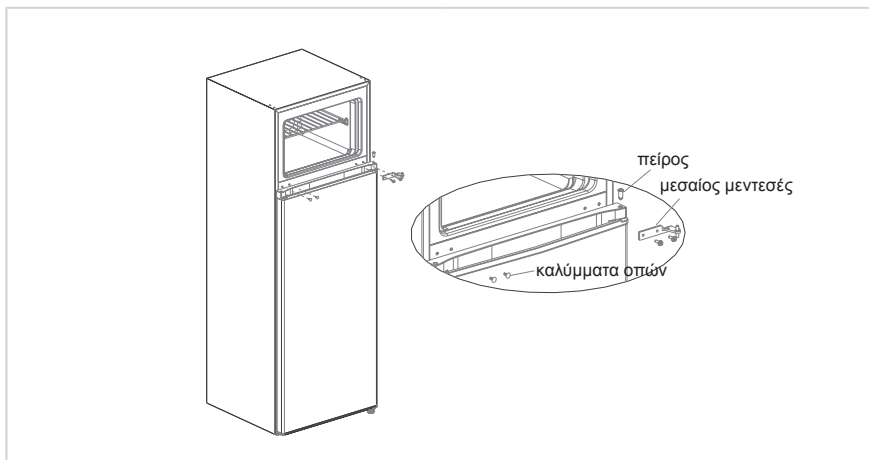
Ταινία κάλυψης

### Βήμα

1. Απενεργοποιήστε το ψυγείο και αφαιρέστε όλα τα αντικείμενα από τα ράφια της πόρτας.
2. Αφαιρέστε το κάλυμμα του επάνω μεντεσέ, τον επάνω μεντεσέ, τον πείρο της πόρτας του καταψύκτη και το κάλυμμα οπής της άλλης πλευράς.

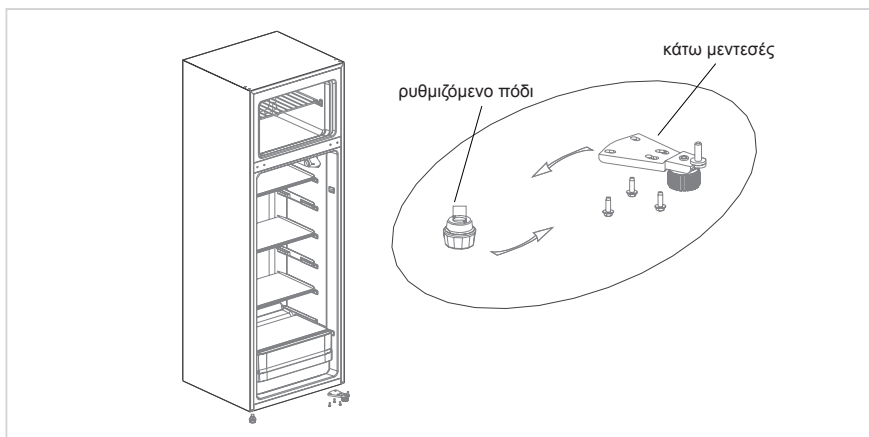


3. Αφαιρέστε την πόρτα του θαλάμου καταψύκτη, τον μεσαίο μεντεσέ, τον πείρο της πόρτας του ψυγείου και τα καλύμματα οπών της άλλης πλευράς.

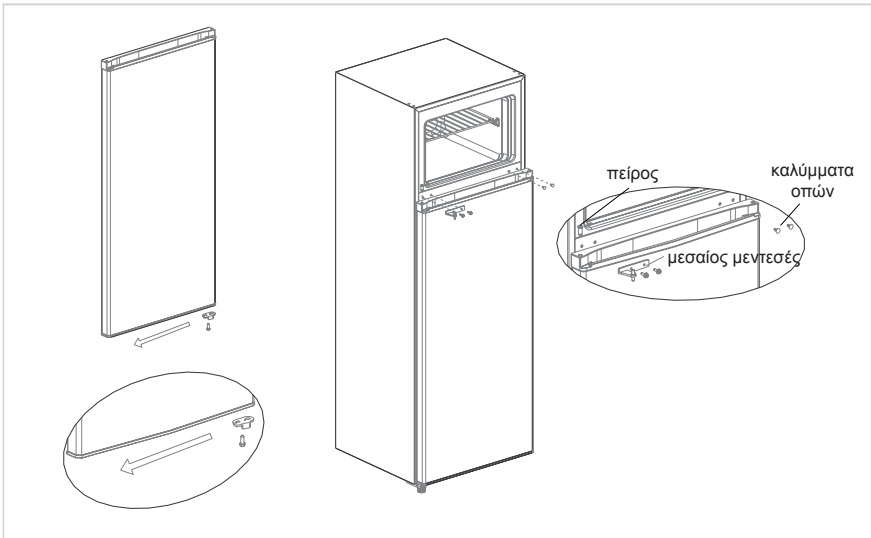


4. Αφαιρέστε την πόρτα του ψυγείου, αφαιρέστε τον κάτω μεντεσέ και το ρυθμιζόμενο πόδι της άλλης πλευράς.
5. Συναρμολογήστε το συγκρότημα του κάτω μεντεσέ και το ρυθμιζόμενο πόδι στην άλλη πλευρά.

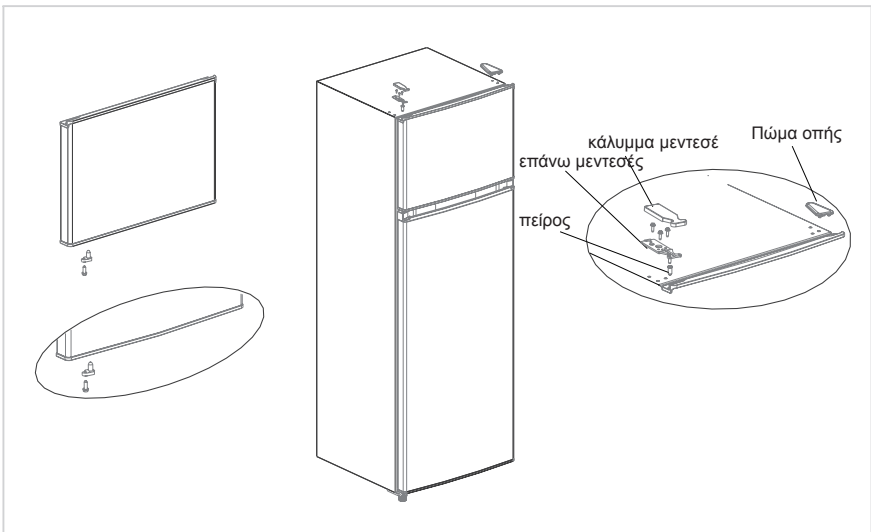
GR



6. Συναρμολογήστε το στοπ της πόρτας του ψυγείου στην άλλη πλευρά.
7. Τοποθετήστε την πόρτα του ψυγείου στον κάτω μεντεσέ, συναρμολογήστε τον μεσαίο μεντεσέ, τα καλύμματα οπών και τον πείρο της πόρτας του ψυγείου.



8. Αφαιρέστε το πώμα της πόρτας του καταψύκτη από τη συσκευασία των αξεσουάρ και συναρμολογήστε το στην άλλη πλευρά της πόρτας του καταψύκτη.
9. Αφαιρέστε τον δεξιό πάνω μεντεσέ και το κάλυμμα του δεξιού πάνω μεντεσέ από τη συσκευασία αξεσουάρ- τοποθετήστε την πόρτα του καταψύκτη στον μεσαίο μεντεσέ, εισαγάγετε τον πείρο στην οπή του μεντεσέ της πόρτας πάνω αριστερά, συναρμολογήστε τον πάνω μεντεσέ και το κάλυμμα του πάνω μεντεσέ και, στη συνέχεια, στερεώστε το κάλυμμα οπής στην άλλη πλευρά του ψυγείου.



#### ● ΠΡΟΣΟΧΗ

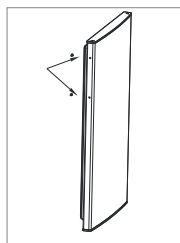
Η παραπάνω εικόνα προορίζεται μόνο για σκοπούς αναφοράς. Η διαμόρφωση εξαρτάται από το εκάστοτε προϊόν ή τη δήλωση του διανομέα.



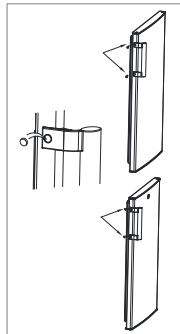
## Αλλαγή πλευράς λαβής πόρτας (προαιρετικά)

Σημείωση: Τα σχέδια στο εγχειρίδιο χρήστη προορίζονται μόνο για σκοπούς αναφοράς. Το πραγματικό προϊόν ενδέχεται να διαφέρει ελαφρώς. Το ψυγείο πρέπει να αποσυνδεθεί από την πηγή ηλεκτρικού ρεύματος προτού επιχειρήσετε την εγκατάσταση των εξαρτημάτων.

Βήμα 1: Αφαιρέστε τους δύο πείρους από την πόρτα (πλάι ανοίγματος πόρτας)



Βήμα 2: Εγκαταστήστε τη λαβή πόρτας στην πόρτα και στερεώστε την με βίδες



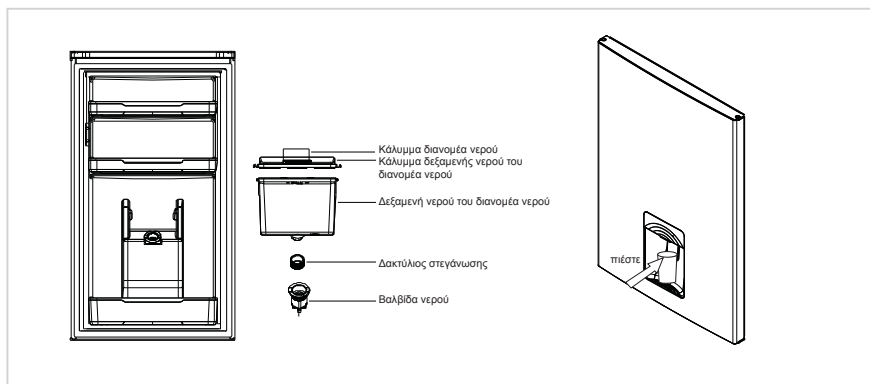
Βήμα 3: Καλύψτε τις κεφαλές των βιδών με τα καλύμματα

\* Η παραπάνω εικόνα προορίζεται μόνο για σκοπούς αναφοράς. Η διαμόρφωση εξαρτάται από το εκάστοτε προϊόν ή τη δήλωση του διανομέα

GR

## Χρήση του διανομέα νερού (προαιρετικό)

1. Αρχικά ανοίξτε το κάλυμμα εισόδου νερού και γεμίστε με πόσιμο νερό μέχρι την ένδειξη «MAX» που επισημαίνεται ως η μέγιστη ποσότητα νερού.
2. Χρησιμοποιήστε το κύπελλο για να πιέσετε τη σκανδάλη προς το εσωτερικό. Η ροή νερού ξεκινά. Μόλις η σκανδάλη επιστρέψει στην αρχική θέση, η ροή νερού σταματά.
3. Ο διανομέας νερού μπορεί να χρησιμοποιηθεί μόνο για καθαρό νερό. Δεν είναι κατάλληλος για ποτά ή χυμούς φρούτων.



# ΟΔΗΓΙΕΣ ΛΕΙΤΟΥΡΓΙΑΣ

## Ενεργοποίηση της συσκευής σας

Ρύθμιση «Off»: Απενεργοποίηση συσκευής

Ρύθμιση «Min»: Ελάχιστη θερμοκρασία ψύξης

Ρύθμιση «Med» ή «MID»:Κανονική λειτουργία (επαρκής για τις περισσότερες περιπτώσεις)

Ρύθμιση «Max»: Χαμηλότερη θερμοκρασία

- Όταν επικρατούν υψηλές θερμοκρασίες περιβάλλοντος, π.χ. τις ζεστές καλοκαιρινές μέρες. Ενδεχομένως να χρειαστεί να ρυθμίσετε τον θερμοστάτη στην πιο κρύα ρύθμιση (θέση «Max»). Αυτό μπορεί να οδηγήσει σε συνεχή λειτουργία του συμπιεστή για διατήρηση χαμηλής θερμοκρασίας στο ντουλάπι.
- Κατά την πρώτη εγκατάσταση του ψυγείου σας, ρυθμίστε το πλήκτρο θερμοστάτη στη θέση «Med». Αφήστε το ψυγείο σας να ψυχθεί πλήρως πριν τοποθετήσετε τρόφιμα. Συνιστάται να περιμένετε 24 ώρες πριν την τοποθέτηση τροφίμων. Το πλήκτρο θερμοστάτη ελέγχει τη θερμοκρασία. Εάν το πλήκτρο θερμοστάτη ρυθμιστεί στη θέση OFF, το ψυγείο σταματά να λειτουργεί.

## Συμβουλές για την αποθήκευση τροφίμων στη συσκευή

Τα μαγειρεμένα κρέατα/ψάρια πρέπει πάντα να αποθηκεύονται σε ράφι πάνω από τα ωμά κρέατα/ψάρια για να αποφεύγεται η μεταφορά βακτηρίων. Διατηρείτε τα ωμά κρέατα/ψάρια σε ένα δοχείο που είναι αρκετά μεγάλο για τη συλλογή υγρών και καλύπτετε το σωστά. Τοποθετήστε το δοχείο στο χαμηλότερο ράφι.

- Αφήστε χώρο γύρω από τα τρόφιμά σας, προκειμένου να επιτρέψετε την κυκλοφορία αέρα μέσα στη συσκευή. Βεβαιωθείτε ότι όλα τα μέρη της συσκευής διατηρούνται δροσερά.
- Για να αποφύγετε τη μεταφορά οσμών και το στέγνωμα των τροφίμων, συσκευάζετε και καλύπτετε τα τρόφιμα ξεχωριστά. Τα φρούτα και τα λαχανικά δεν χρειάζεται να συσκευάζονται.
- Αφήνετε πάντα το μαγειρεμένο φαγητό να κρυσώσει προτού το τοποθετήσετε στη συσκευή. Αυτό βοηθά στη διατήρηση της εσωτερικής θερμοκρασίας της συσκευής.
- Για να αποφύγετε τη διαφυγή του ψυχρού αέρα από τη συσκευή, προσπαθήστε να περιορίσετε τον αριθμό των φορών που ανοίγετε την πόρτα. Συνιστούμε να ανοίγετε την πόρτα μόνο όταν χρειάζεται να βγάλετε ή να βγάλετε τρόφιμα.

## Αντικατάσταση λάμπας

Αντικατάσταση λάμπας από επαγγελματίες.

Σειρά	ΤΥΠΟΣ θαλάμων	Στόχος θερμοκρασίας αποθήκευσης [°C]	Κατάλληλα τρόφιμα
1	Ψυγείο	+2 ~ +8	Αυγά, μαγειρεμένα τρόφιμα, συσκευασμένα τρόφιμα, φρούτα και λαχανικά, γαλακτοκομικά προϊόντα, κέικ, ποτά και άλλα τρόφιμα δεν είναι κατάλληλα για κατάψυξη.
2	(***)-Καταψύκτης	≤-18	Θαλασσινά (ψάρια, γαρίδες, οστρακοειδή), προϊόντα γλυκού νερού και προϊόντα κρέατος (συνιστάται για 3 μήνες, όσο μεγαλύτερος είναι ο χρόνος αποθήκευσης, τόσο χειρότερη είναι η γεύση και η θρεπτική αξία), κατάλληλο για κατεψυγμένα φρέσκα τρόφιμα.
3	***-Καταψύκτης	≤-18	Θαλασσινά (ψάρια, γαρίδες, οστρακοειδή), προϊόντα γλυκού νερού και προϊόντα κρέατος (συνιστάται για 3 μήνες, όσο μεγαλύτερος είναι ο χρόνος αποθήκευσης, τόσο χειρότερη είναι η γεύση και η θρεπτική αξία), κατάλληλο για κατεψυγμένα φρέσκα τρόφιμα.
4	**-Καταψύκτης	≤-12	Θαλασσινά (ψάρια, γαρίδες, οστρακοειδή), προϊόντα γλυκού νερού και προϊόντα κρέατος (συνιστάται για 3 μήνες, όσο μεγαλύτερος είναι ο χρόνος αποθήκευσης, τόσο χειρότερη είναι η γεύση και η θρεπτική αξία), κατάλληλο για κατεψυγμένα φρέσκα τρόφιμα.
5	*-Καταψύκτης	≤-6	Θαλασσινά (ψάρια, γαρίδες, οστρακοειδή), προϊόντα γλυκού νερού και προϊόντα κρέατος (συνιστάται για 3 μήνες, όσο μεγαλύτερος είναι ο χρόνος αποθήκευσης, τόσο χειρότερη είναι η γεύση και η θρεπτική αξία), κατάλληλο για κατεψυγμένα φρέσκα τρόφιμα.
6	0-αστέρια	-6 ~ 0	Φρέσκο χοιρινό, μοσχαρίσιο κρέας, ψάρι, κοτόπουλο, ορισμένα συσκευασμένα επεξεργασμένα τρόφιμα κ.λπ. (Συνιστάται να καταναλώνονται εντός της ίδιας ημέρας, κατά προτίμηση όχι περισσότερο από 3 ημέρες). Επεξεργασμένα τρόφιμα (τρόφιμα χωρίς δυνατότητα κατάψυξης).
7	Ψύξη	-2 ~ +3	Νωπό/κατεψυγμένο χοιρινό, μοσχάρι, κοτόπουλο, προϊόντα γλυκού νερού, κ.λπ. (7 ημέρες κάτω από 0°C και πάνω από 0°C, συνιστάται η κατανάλωση εντός της ίδιας ημέρας, κατά προτίμηση όχι περισσότερο από 2 ημέρες). Θαλασσινά (κάτω από 0 για 15 ημέρες, δεν συνιστάται η αποθήκευση πάνω από 0°C).
8	Νωπά τρόφιμα	0 ~ +4	Φρέσκο χοιρινό, μοσχαρίσιο κρέας, ψάρι, κοτόπουλο, μαγειρεμένα τρόφιμα κ.λπ. (Συνιστάται η κατανάλωση εντός της ίδιας ημέρας, κατά προτίμηση όχι περισσότερο από 3 ημέρες)
9	Κρασί	+5 ~ +20	Κόκκινο κρασί, λευκό κρασί, αφρώδης οίνος κ.λπ.

## ΠΡΟΣΟΧΗ

αποθηκεύετε διαφορετικά τρόφιμα ανάλογα με τους θαλάμους ή τον στόχο θερμοκρασίας αποθήκευσης-του προϊόντος που αγοράσατε.

GR

# ΚΑΘΑΡΙΣΜΟΣ ΚΑΙ ΣΥΝΤΗΡΗΣΗ

## Απόψυξη

- Απενεργοποιήστε το ψυγείο.
- Αφαιρέστε τα τρόφιμα από το ψυγείο και τοποθετήστε τα σωστά, προκειμένου να αποφύγετε την τήξη τους.
- Καθαρίστε τον σωλήνα αποστράγγισης (χρησιμοποιήστε μαλακά υλικά για να αποφύγετε τυχόν ζημιά στην επένδυση), Προετοιμάστε τα δοχεία νερού για απόψυξη. (δώστε προσοχή στον καθαρισμό του δίσκου αποστράγγισης νερού του διαμερίσματος του συμπιεστή, αποφεύγοντας τυχόν υπερχείλιση).
- Μπορείτε επίσης να χρησιμοποιήσετε την κατάλληλη ποσότητα ζεστού νερού για να επιταχύνετε την απόψυξη, με μια στεγνή πετσέτα για να στεγνώσετε το νερό μετά την απόψυξη.
- Μπορείτε επίσης να χρησιμοποιήσετε την κατάλληλη ποσότητα ζεστού νερού για να επιταχύνετε την απόψυξη, με μια στεγνή πετσέτα για να στεγνώσετε το νερό μετά την απόψυξη.
- Μετά την απόψυξη, τοποθετήστε ξανά τα τρόφιμα στο ντουλάπι και ενεργοποιήστε το ψυγείο.

## Διακοπή χρήσης

### Διακοπή ρεύματος:

Σε περίπτωση διακοπής ρεύματος, ακόμα κι αν είναι το καλοκαίρι, τα τρόφιμα μέσα στη συσκευή μπορούν να διατηρηθούν για αρκετές ώρες. Κατά τη διάρκεια της διακοπής ρεύματος, οι χρόνοι ανοίγματος της πόρτας πρέπει να μειωθούν και δεν θα πρέπει να τοποθετούνται επιπλέον φρέσκα τρόφιμα μέσα στη συσκευή.

### Παρατεταμένη διακοπή χρήσης:

Η συσκευή πρέπει να αποσυνδεθεί από το ρεύμα και μετά να καθαριστεί. Στη συνέχεια οι πόρτες αφήνονται ανοιχτές για να αποφευχθεί η δημιουργία οσμών.

### Μετακίνηση:

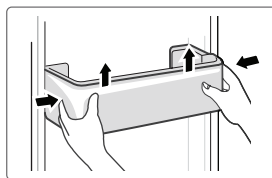
Πριν μετακινηθεί το ψυγείο, βγάλτε όλα τα αντικείμενα από μέσα, στερεώστε τα γυάλινα χωρίσματα, τη φρουτοθήκη, τα συρτάρια του θαλάμου κατάψυξης κ.λπ., με ταινία και σφίξτε τα ποδαράκια οριζοντίωσης. Κλείστε τις πόρτες και στερεώστε τις με ταινία. Κατά τη μετακίνηση, η συσκευή δεν θα πρέπει να τοποθετηθεί ανάποδα, οριζόντια ή να ταρακουνηθεί. Η κλίση κατά τη διάρκεια της μετακίνησης δεν πρέπει να υπερβαίνει τις 45°.

### ΠΡΟΣΟΧΗ

Η συσκευή πρέπει να λειτουργεί συνεχώς μετά την εκκίνηση. Γενικά, η λειτουργία της συσκευής δεν πρέπει να διακόπτεται. Διαφορετικά, η διάρκεια ζωής μπορεί να μειωθεί. Τα τρόφιμα μπορούν να διατηρηθούν για μερικές ώρες ακόμη και το καλοκαίρι σε περίπτωση διακοπής ρεύματος. Συνιστάται να μειώσετε τη συχνότητα ανοίγματος της πόρτας.

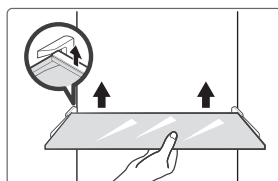
## Καθαρισμός ραφιού πόρτας

- Σύμφωνα με το βέλος κατεύθυνσης στο παρακάτω σχήμα, χρησιμοποιήστε και τα δύο χέρια για να συμπιέσετε το ράφι και να το σπρώξετε προς τα πάνω, ώστε να μπορέσετε να το αφαιρέσετε.
- Αφού πλύνετε το ράφι που έχετε αφαιρέσει, μπορείτε να προσαρμόσετε το ύψος τοποθέτησής του σύμφωνα με τις απαιτήσεις σας.



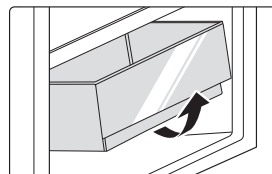
## Καθαρισμός γυάλινου ραφιού

- Δεδομένου ότι το εσωτερικό μέρος της επένδυσης του ψυγείου όπου έρχεται σε επαφή με τα ράφια έχει οπίσθιο στήριγμα, θα πρέπει να σηκώσετε τα ράφια προς τα πάνω, ώστε να μπορέσετε να τα αφαιρέσετε.
- Ρυθμίστε ή καθαρίστε τα ράφια σύμφωνα με τις απαιτήσεις σας.



## Καθαρισμός του συρταριού λαχανικών

1. Αφαιρέστε τα περιεχόμενα του συρταριού. Κρατήστε το χερούλι του συρταριού λαχανικών και τραβήξτε το εντελώς προς τα έξω έως ότου να σταματήσει.
2. Σηκώστε το συρτάρι λαχανικών προς τα πάνω και αφαιρέστε το τραβώντας το προς τα έξω.



GR

### ● ΠΡΟΣΟΧΗ

Για τον καθαρισμό συνιστάται η χρήση απαλού πανιού ή σφουγγαριού βουτηγμένου σε νερό και μη διαβρωτικών ουδέτερων καθαριστικών. Ο θάλαμος κατάψυξης πρέπει να καθαρίζεται με καθαρό νερό και στεγνό πανί. Ανοίξτε την πόρτα για να στεγνώσει το ψυγείο φυσικά πριν την ενεργοποίηση. Μην χρησιμοποιείτε σκληρές βούρτσες, σύρμα καθαρισμού, συρματόβουρτσες, διαβρωτικές ουσίες, όπως π.χ. οδοντόκρεμες, οργανικούς διαλύτες (π.χ. οινόπνευμα, ασετόν, έλαιο μπανάνας κτλ.), βραστό νερό και όξινα ή αλκαλικά διαλύματα για τον καθαρισμό του ψυγείου, επειδή μπορεί αυτά να προκαλέσουν ζημιά στην επιφάνεια και το εσωτερικό του.

# ΑΝΤΙΜΕΤΩΠΙΣΗ ΠΡΟΒΛΗΜΑΤΩΝ

Τα παρακάτω απλά ζητήματα μπορούν να επιλυθούν από τον χρήστη. Καλέστε το τμήμα εξυπηρέτησης μετά την πώληση εάν τα προβλήματα παραμένουν.

Πρόβλημα	Πιθανή αιτία
Αποτυχία λειτουργίας	• Ελέγξτε εάν η συσκευή είναι συνδεδεμένη με το ρεύμα ή εάν το φως έχει καλή επαφή
	• Ελέγξτε εάν η τάση είναι πολύ χαμηλή.
	• Ελέγξτε εάν υπάρχει διακοπή ρεύματος ή έχουν βραχυκυκλώσει κάποια κυκλώματα
Οσμή	• Τα τρόφιμα με έντονη μυρωδιά πρέπει να τυλίγονται σφιχτά
	• Ελέγξτε εάν έχουν χαλάσει κάποια τρόφιμα
	• Καθαρίστε το εσωτερικό του ψυγείου
Μακροχρόνια λειτουργία του συμπιεστή	• Η μακροχρόνια λειτουργία του ψυγείου είναι φυσιολογική το καλοκαίρι όταν η θερμοκρασία περιβάλλοντος είναι υψηλή
	• Δεν συνιστάται να έχετε υπερβολικά πολλά τρόφιμα μέσα στη συσκευή ταυτόχρονα
	• Τα τρόφιμα πρέπει να κρυώσουν πριν τοποθετηθούν στη συσκευή
	• Οι πόρτες ανοίγουν πολύ συχνά
Το φως δεν ανάβει	• Ελέγξτε εάν το ψυγείο είναι συνδεδεμένο στο ρεύμα και εάν το φως έχει υποστεί ζημιά
	• Ζητήστε από έναν ειδικό να αντικαταστήσει τη λυχνία φωτός
Η πόρτα δεν κλείνει σωστά	• Η πόρτα μαγκώνει από συσκευασίες τροφίμων. Έχουν τοποθετηθεί υπερβολικά πολλά τρόφιμα
	• Το ψυγείο είναι κεκλιμένο.
Δυνατός θόρυβος	• Ελέγξτε εάν το δάπεδο είναι επίπεδο και αν το ψυγείο έχει τοποθετηθεί σταθερά
	• Ελέγξτε εάν τα εξαρτήματα έχουν τοποθετηθεί σε κατάλληλες θέσεις

Πρόβλημα	Πιθανή αιτία
<p>Η στεγανοποίηση της πόρτας δεν είναι σφικτή</p>	<ul style="list-style-type: none"> <li>• Αφαιρέστε ξένα σώματα από τη σφράγιση της πόρτας</li> <li>• Θερμάνετε το λάστιχο της πόρτας και, στη συνέχεια, αφήστε το να ψυχθεί για αποκατάσταση (χρησιμοποιήστε ένα σεσουάρ μαλλιών ή μια ζεστή πετσέτα για να το θερμάνετε)</li> </ul>
<p>Υπερχείλιση του δίσκου νερού</p>	<ul style="list-style-type: none"> <li>• Υπάρχουν υπερβολικά πολλά τρόφιμα στον θάλαμο ή τα τρόφιμα που αποθηκεύονται περιέχουν πολύ νερό, με αποτέλεσμα έντονη απόψυξη</li> <li>• Οι πόρτες δεν έχουν κλείσει σωστά, με αποτέλεσμα να παγώνουν λόγω εισόδου αέρα και αυξημένου νερού λόγω απόψυξης</li> </ul>
<p>Ζεστό περιβάλημα</p>	<ul style="list-style-type: none"> <li>• Απαγωγή θερμότητας του ενσωματωμένου συμπυκνωτή μέσω του περιβλήματος, κάτι που είναι φυσιολογικό. Όταν το περιβάλημα ζεσταθεί λόγω της υψηλής θερμοκρασίας περιβάλλοντος, η αποθήκευση υπερβολικής ποσότητας τροφίμων ή η διακοπή λειτουργίας του συμπιεστή, παρέχετε καλό εξαερισμό για διευκόλυνση της απαγωγής θερμότητας</li> </ul>
<p>Επιφανειακή συμπύκνωση υδρατμών</p>	<ul style="list-style-type: none"> <li>• Η συμπύκνωση υδρατμών στην εξωτερική επιφάνεια και τις στεγανοποιήσεις των πορτών του ψυγείου είναι φυσιολογική όταν η υγρασία περιβάλλοντος είναι πολύ υψηλή. Απλώς σκουπίστε την υγρασία με μια καθαρή πετσέτα.</li> </ul>
<p>Μη φυσιολογικός θόρυβος</p>	<ul style="list-style-type: none"> <li>• Βόμβος: Ο συμπιεστής μπορεί να παράγει βόμβους κατά τη λειτουργία και οι βόμβοι είναι δυνατόι ιδιαίτερα κατά την εκκίνηση ή τη διακοπή. Αυτό είναι φυσιολογικό.</li> <li>• Τρίξιμο: Το ψυκτικό που ρέει στο εσωτερικό της συσκευής μπορεί να προκαλέσει τρίξιμο, κάτι που είναι φυσιολογικό.</li> </ul>

# ΔΗΛΩΣΗ ΣΥΜΜΟΡΦΩΣΗΣ ΚΑΙ ΠΙΣΤΟΠΟΙΗΣΕΙΣ

## Δήλωση συμμόρφωσης

Με το παρόν επιβεβαιώνουμε ότι τα ακόλουθα ονόματα μοντέλων πελατών και τα ονόματα μοντέλων της Midea αντίστοιχα ταιριάζουν μεταξύ τους.

Μάρκα	Μοντέλο Midea	Μοντέλο μάρκετινγκ	Εργοστασιακό μοντέλο
Midea	HD-273FN	MDRT294FGE01	CE-BCD210CM-JQ
Midea	HD-273FN	MDRT294FGE50	CE-BCD210CM-JQ
Midea	HD-273FN	MERT210FGE01	CE-BCD210CM-JQ
Midea	HD-273FN	MERT210FGE50	CE-BCD210CM-JQ

GR

Όνομα κατασκευαστή: Guangzhou Midea Hualing Refrigerator Co., Ltd.

Διεύθυνση κατασκευαστή: No. 5 Xinguangsi Road, Qianfeng Zhujiang, Nansha District, Guangzhou City, Guangdong Province, P.R.China

Εμείς, Guangzhou Midea Hualing Refrigerator Co., Ltd., δηλώνουμε ότι τα προαναφερόμενα προϊόντα συμμορφώνονται με τους προαναφερόμενους ισχύοντες κανονισμούς και πρότυπα.



# ΠΑΡΑΡΤΗΜΑ

## Ειδικό για το νέο ευρωπαϊκό πρότυπο

Τα εξαρτήματα στον παρακάτω πίνακα μπορούν να αποκτηθούν από το δίκτυο τεχνικής εξυπηρέτησης

Εξάρτημα παραγγελίας	Παρέχεται από	Ελάχιστος χρόνος που απαιτείται για παροχή
Θερμοστάτες	Επαγγελματικό προσωπικό συντήρησης	Τουλάχιστον 7 χρόνια μετά την κυκλοφορία του τελευταίου μοντέλου στην αγορά
Αισθητήρες θερμοκρασίας	Επαγγελματικό προσωπικό συντήρησης	Τουλάχιστον 7 χρόνια μετά την κυκλοφορία του τελευταίου μοντέλου στην αγορά
Πλακέτες τυπωμένων κυκλωμάτων	Επαγγελματικό προσωπικό συντήρησης	Τουλάχιστον 7 χρόνια μετά την κυκλοφορία του τελευταίου μοντέλου στην αγορά
Πηγή φωτός	Επαγγελματικό προσωπικό συντήρησης	Τουλάχιστον 7 χρόνια μετά την κυκλοφορία του τελευταίου μοντέλου στην αγορά
λαβές πόρτας	Επαγγελματίες τεχνικοί και τελικοί χρήστες	Τουλάχιστον 7 χρόνια μετά την κυκλοφορία του τελευταίου μοντέλου στην αγορά
Μεντεσέδες πόρτας	Επαγγελματίες τεχνικοί και τελικοί χρήστες	Τουλάχιστον 7 χρόνια μετά την κυκλοφορία του τελευταίου μοντέλου στην αγορά
Ράφια	Επαγγελματίες τεχνικοί και τελικοί χρήστες	Τουλάχιστον 7 χρόνια μετά την κυκλοφορία του τελευταίου μοντέλου στην αγορά
Καλάθια	Επαγγελματίες τεχνικοί και τελικοί χρήστες	Τουλάχιστον 7 χρόνια μετά την κυκλοφορία του τελευταίου μοντέλου στην αγορά
Λάστιχα πόρτας	Επαγγελματίες τεχνικοί και τελικοί χρήστες	Τουλάχιστον 10 χρόνια μετά την κυκλοφορία του τελευταίου μοντέλου στην αγορά

GR

## Αγαπητέ πελάτη

- Εάν θέλετε να επιστρέψετε ή να αντικαταστήσετε το προϊόν, επικοινωνήστε με το κατάστημα αγοράς.  
(Θυμηθείτε να φέρετε το τιμολόγιο αγοράς)
- Εάν το προϊόν σας χαλάσει και πρέπει να επισκευαστεί, επικοινωνήστε με τον πάροχο υπηρεσιών μετά την πώληση.

## ΠΡΟΣΟΧΗ

Μπορείτε να λάβετε τις πληροφορίες μοντέλου στη βάση δεδομένων του προϊόντος, καθώς επίσης και το αναγνωριστικό μοντέλου, μέσω μιας ιστοσελίδας, σαρώνοντας τον κωδικό QR, εάν υπάρχει, στην ετικέτα ενεργειακής απόδοσης του προϊόντος.

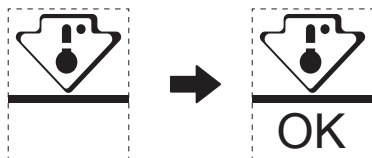
Για περισσότερες πληροφορίες σχετικά με την ενεργειακή απόδοση της συσκευής, επισκεφθείτε τη διεύθυνση <https://ec.europa.eu> και αναζητήστε χρησιμοποιώντας το όνομα του μοντέλου.

Το όνομα μοντέλου βρίσκεται στην ετικέτα αξιολόγησης της συσκευής.

## Η ψυχρότερη ζώνη στο ψυγείο

### ΠΡΟΑΙΡΕΤΙΚΑ: Ένδειξη θερμοκρασίας OK

- Η ένδειξη θερμοκρασίας OK μπορεί να χρησιμοποιηθεί για τον προσδιορισμό θερμοκρασιών κάτω από +4°C. Μειώστε σταδιακά τη θερμοκρασία εάν η ένδειξη δεν είναι «OK».



- Για να διασφαλίσετε τη θερμοκρασία σε αυτή την περιοχή, μην αλλάζετε τη θέση του ραφιού. Στα ψυγεία ροής αέρα (εξοπλισμένα με ανεμιστήρα ή μοντέλα No Frost ), το σύμβολο της ψυχρότερης ζώνης δεν απεικονίζεται, επειδή η θερμοκρασία στο εσωτερικό είναι ομοιόμορφη.

### Ρύθμιση ένδειξης θερμοκρασίας

- Για διευκόλυνση της σωστής ρύθμισης, το ψυγείο σας είναι εξοπλισμένο με μια ένδειξη θερμοκρασίας που παρακολουθεί τη μέση θερμοκρασία της ψυχρότερης ζώνης.
- ΠΡΟΕΙΔΟΠΟΙΗΣΗ: Αυτή η ένδειξη προορίζεται μόνο για λειτουργία με το ψυγείο σας, μην τη χρησιμοποιείτε σε άλλο ψυγείο (στην πραγματικότητα, η ψυχρότερη ζώνη δεν είναι η ίδια) ή για οποιαδήποτε άλλη χρήση.

### Έλεγχος της θερμοκρασίας στην ψυχρότερη ζώνη

- Με την ένδειξη θερμοκρασίας, μπορείτε να ελέγχετε τακτικά ότι η θερμοκρασία της ψυχρότερης ζώνης είναι σωστή. Πράγματι, η εσωτερική θερμοκρασία του ψυγείου εξαρτάται από διάφορους παράγοντες, όπως η θερμοκρασία περιβάλλοντος του χώρου, η ποσότητα των αποθηκευμένων τροφίμων και η συχνότητα ανοίγματος της πόρτας. Λάβετε υπόψη σας αυτούς τους παράγοντες κατά τη ρύθμιση της συσκευής.
- Όταν η ένδειξη εμφανίζει «OK», αυτό σημαίνει ότι ο θερμοστάτης σας είναι καλά ρυθμισμένος και η εσωτερική θερμοκρασία είναι σωστή.
- Εάν η ένδειξη της θερμοκρασίας γίνει ΛΕΥΚΗ, αυτό σημαίνει ότι η θερμοκρασία είναι πολύ υψηλή- σε αυτή την περίπτωση, αυξήστε τη ρύθμιση ελέγχου της θερμοκρασίας του ψυγείου και περιμένετε 12 ώρες προτού πραγματοποιήσετε νέο οπτικό έλεγχο της ένδειξης. Εάν έχουν τοποθετηθεί φρέσκα τρόφιμα ή η πόρτα έχει μείνει ανοιχτή, ενδέχεται να χρειαστεί λίγος χρόνος έως ότου η ένδειξη της θερμοκρασίας να γίνει ΛΕΥΚΗ.

## PATEICĪBAS VĒSTULE

Paldies, ka izvēlējāties Midea! Pirms jaunā Midea produkta lietošanas rūpīgi izlasiet šo rokasgrāmatu, lai pārliecinātos, ka zināt, kā droši izmantot visas savas jaunās ierīces piedāvātās funkcijas un iespējas.

# SATURS

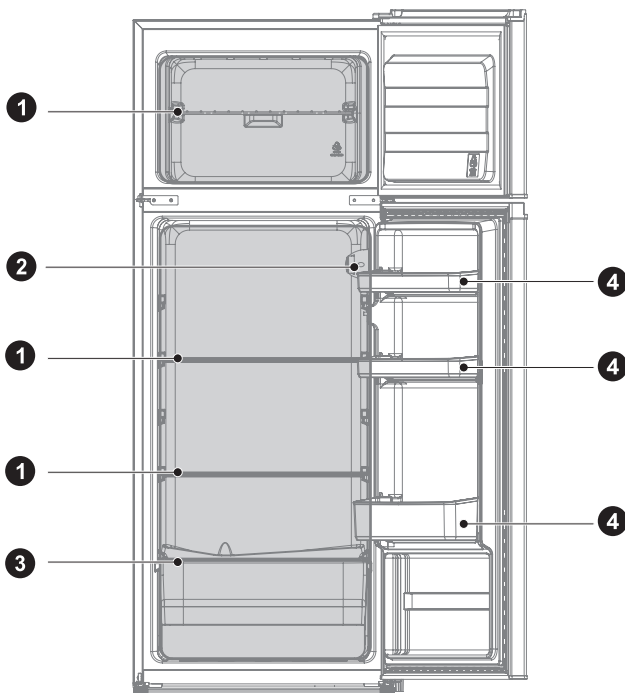
PATEICĪBAS VĒSTULE	01
SPECIFIKĀCIJA	02
PRODUKTA PĀRSKATS	03
PRODUKTA UZSTĀDĪŠANA	04
EKSPLUATĀCIJAS INSTRUKCIJAS	11
TĪRĪŠANA UN APKOPE	13
DARBĪBAS TRAUCĒJUMI	15
DOKUMENTI UN SERTIFIKĀTI	17
PIELIKUMS	18

# SPECIFIKĀCIJA

Produkta modelis	MDRT294FGE01/MDRT294FGE50 /MERT210FGE01/MERT210FGE50
Svaigu Ēdienu Uzglabāšanas Nodalījuma Tilpums	163 L
Saldētu Ēdienu Uzglabāšanas Nodalījuma Tilpums	41 L
Atkausēšanas Veids	Manuālā atkausēšana
Temperatūras Paaugstināšanās Laiks	8 h
Saldēšanas Jauda	2,0 kg/24h
Nominālais Spriegums	220-240 V-
Nominālā Strāva	0,5 A
Kopējais Izmērs (A x P x Dz)	1430x550x550 mm

# PRODUKTA PĀRSKATS

## Sastāvdaļu nosaukumi



1 Plaukts

2 Termostats

3 Kraukšķotājs

4 Durvju paliktnis

### ● UZMANĪBU

Augstāk redzamais attēls ir domāts tikai atsaucei. Faktiskā konfigurācija būs atkarīga no fiziskā produkta vai izplatītāja paziņojuma.

LV

# PRODUKTA UZSTĀDĪŠANA

## Uzstādīšanas Instrukcija

### Aukstuma iekārtas ar klimata klasi

- Atkarībā no klimata klases šo aukstumiekārtu ir paredzēts izmantot tādā apkārtējās vides temperatūras diapazonā, kā norādīts šajā tabulā.
- Klimata klase ir norādīta datu plāksnītē. Produkts var nedarboties pareizi, ja temperatūra ir ārpus noteiktā diapazona.
- Klimata klasi var atrast uz produkta etiķetes.

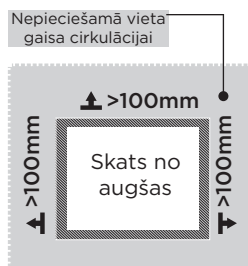
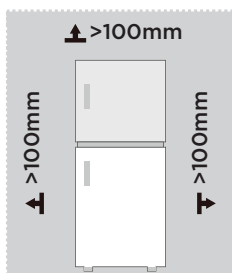
### Efektīvs temperatūras diapazons

- Produkts darbosies normāli temperatūras diapazonā, kas norādīts tā klases vērtējumā.

Klase	Sīmbols	Apkārtējās temperatūras diapazons °C	
		IEC 62552 (ISO 15502)	ISO 8561
Paplašinātā mērenā	SN	+ 10 līdz + 32	+ 10 līdz + 32
Mērenā	N	+ 16 līdz + 32	+ 16 līdz + 32
Subtropu	ST	+ 16 līdz + 38	+ 18 līdz + 38
Tropu	T	+ 16 līdz + 43	+ 18 līdz + 43

### Izmēri un Atstarpes

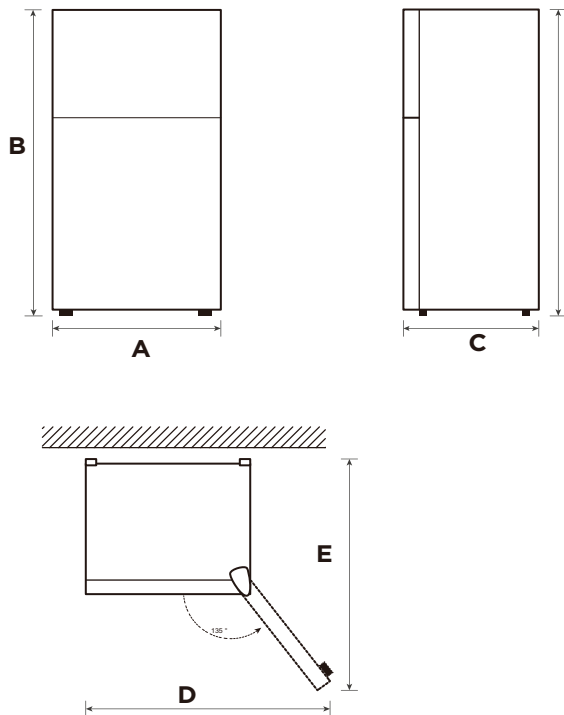
- Ja attālums starp blakus esošajiem priekšmetiem ir pārāk mazs, var samazināties saldēšanas jauda un palielināties elektroenerģijas izmaksas. Uzstādot ierīci, atstājiet vairāk nekā 100 mm brīvu attālumu no katras blakus esošās sienas.



### UZMANĪBU

Augstāk redzamais attēls ir domāts tikai atsaucei. Faktiskā konfigurācija būs atkarīga no fiziskā produkta vai izplatītāja paziņojuma.

Vajadzīgo atstarpju diagramma (kad durvis ir atvērtas un kad durvis ir aizvērtas)



LV

Platums	Kopējais augstums	Dziļums	Durvju platums atveras 135° leņķī	Dziļuma durvis atveras 135° leņķī
A	B	C	D	E
550	1430	550	902	1052

Paziņojums: Visi izmēri norādīti mm



## Izlīdzināšanas kājiņas

Lai izvairītos no vibrācijas, ierīce ir jāizlīdzina.


Ja nepieciešams, noregulējiet līmeņošanas skrūves, lai kompensētu grīdas nelīdzeno virsmu.

Priekšpusei jābūt nedaudz augstāk nekā aizmugurei, lai atvieglotu durvju aizvēršanos.

Līmeņošanas skrūves var viegli pagriezt, nedaudz noliecot korpusu.

Lai paceltu ierīci, pagrieziet līmeņošanas skrūves pretēji pulksteņrādītāja  virzienam, un lai nolaistu – pulksteņrādītāja  kustības virzienā.

## Ierīces pārvietošana

1. Izņemiet visus ēdienus no ierīces iekšienes.
2. Izvelciet kontaktdakšu, ievietojiet un nostipriniet to kontaktdakšai paredzētajā  āķī ierīces aizmugurē vai augšpusē.
3. Aplīmējiet ar lentu plauktus un durvju rokturi, lai novērstu to nokrišanu ierīces pārvietošanas laikā.
4. Pārvietojiet ierīci uzmanīgi, tas jādara vairāk nekā diviem cilvēkiem. Transportējot ierīci lielu attālumu, turiet ierīci vertikālā stāvoklī.
5. Pēc ierīces uzstādīšanas ievietojiet kontaktdakšu kontaktligzdā, lai ieslēgtu ierīci.

### UZMANĪBU

Augstāk redzamais attēls ir domāts tikai atsaucei. Faktiskā konfigurācija būs atkarīga no fiziskā produkta vai izplatītāja paziņojuma.



## Durvju labās un kreisās puses maiņa (pēc izvēles)

Atkarībā no tā, kur plānojat izmantot ledusskapi, iespējams, ērtāk būs durvis novietot pretējā stāvoklī.

### UZMANĪBU

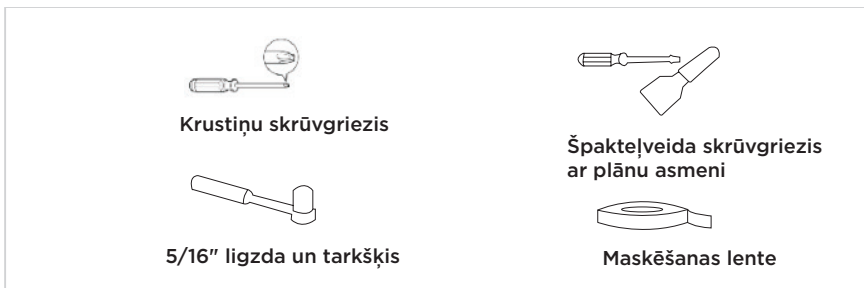
**UZMANĪBU:** Mēs iesakām lūgt, lai kāds jums palīdz apgriezt durvis atpakaļgaitā, lai novērstu īpašuma bojājumus vai miesas bojājumus.

Sagatavošanās durvju stāvokļa maiņai

Jums būs nepieciešams: Standarta skrūvgriezis, Phillips skrūvgriezis un komplektā iekļautā sešstūra atslēga.

- Pārliecinieties, ka ledusskapis ir atvienots no tīkla un tukšs.
- Jums ir pieejams kāds, kas jums palīdzēs šajā procesā.
- Saglabājiet visas noņemtās detaļas, lai vēlāk tās izmantotu atkārtoti.

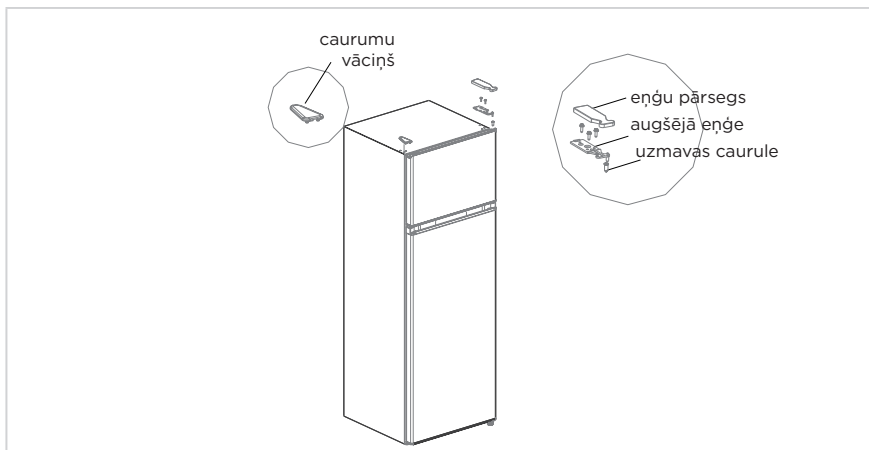
### Durvju nomaiņai nepieciešamie darbarīki:



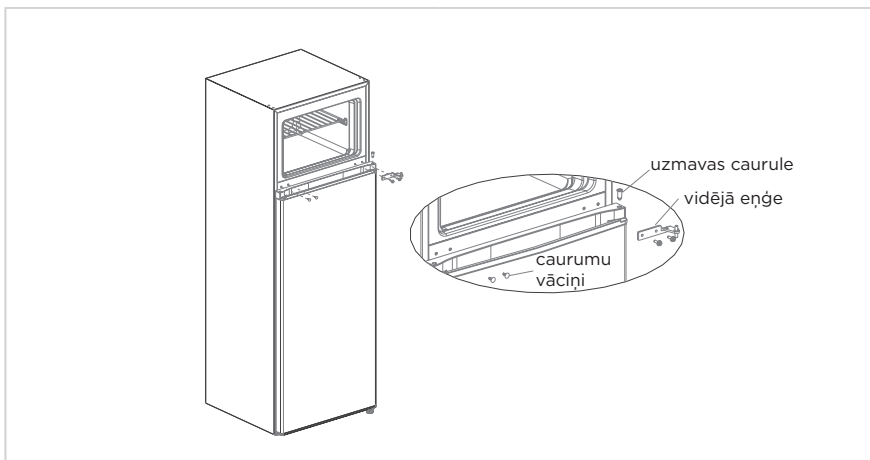
LV

### Solis

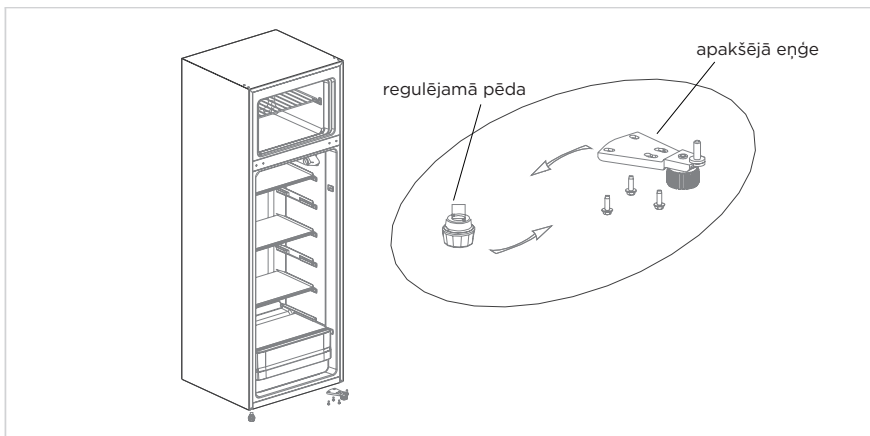
1. Izslēdziet ledusskapi un izņemiet visus priekšmetus no durvju paliktņiem.
2. Noņemiet augšējo eņģes vāku, augšējo eņģi, saldētavas durvju uznavas cauruli un cauruma vāciņu no otras puses.



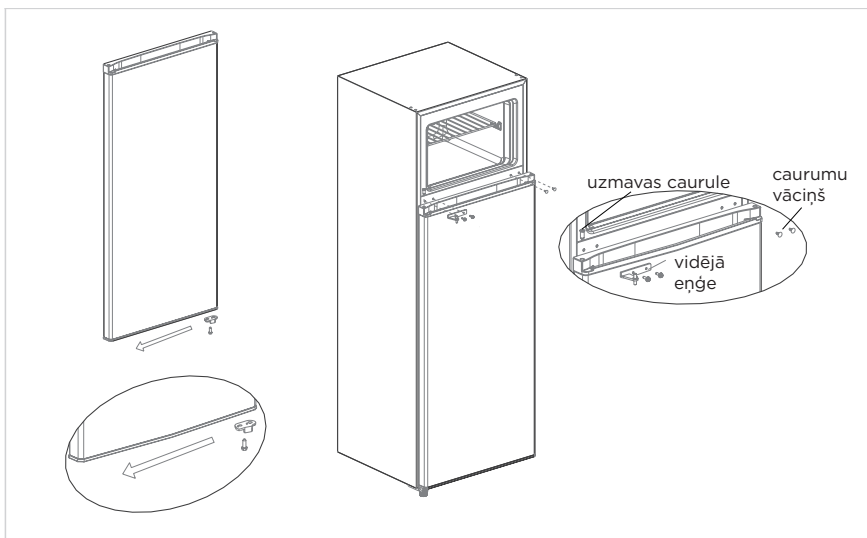
3. Noņemiet saldētavas kameras durvis, vidējo eņģi, ledusskapja durvju uznavas cauruli un otrās puses atveru vāciņus.



4. Noņemiet ledusskapja durvis, noņemiet apakšējo eņģi un regulējamo pēdu no otras puses.  
5. Salieciet apakšējās eņģes komplektu un regulējamo kāju otrā pusē.

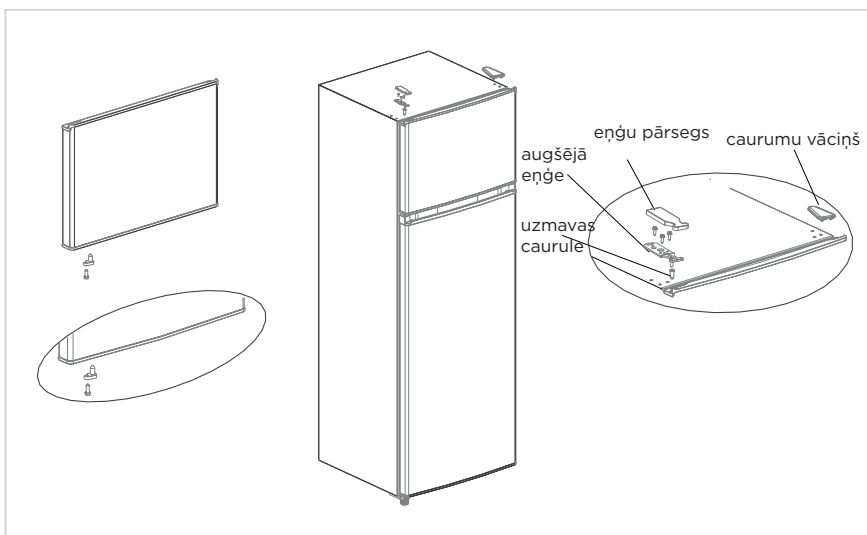


6. Salieciet ledusskapja durvju aizbāzni otrā pusē.  
7. Uzlieciet ledusskapja durvis uz apakšējās eņģes, salieciet vidējo eņģi, caurumu vāciņus un ledusskapja durvju uznavas cauruli.



8. Izņemiet saldētavas durvju aizbāzni no piederumu iepakojuma un ievietojiet to saldētavas durvju otrā pusē.
9. Izņemiet labās augšējās eņģes, labās augšējās eņģes vāku no piederumu iepakojuma; uzlieciet saldētavas durvis uz vidējās eņģes, ievietojiet uzmavas cauruli eņģes atverē durvju augšējā kreisajā stūrī, salieciet augšējo eņģu un augšējo eņģes vāku, pēc tam piestipriniet cauruma vāciņu ledusskapja otrā pusē.

LV



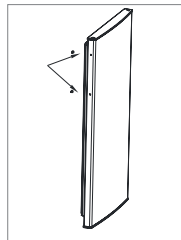
**UZMANĪBU**

Augstāk redzamais attēls ir domāts tikai atsaucei. Faktiskā konfigurācija būs atkarīga no fiziskā produkta vai izplatītāja paziņojuma.

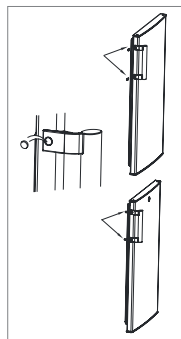
## Durvju roktura uzstādīšanas apgaismojums (pēc izvēles)

Piezīme: Lietotāja rokasgrāmatā esošie skaitļi ir tikai atsaucei. Faktiskais produkts var nedaudz atšķirties. Pirms piederumu uzstādīšanas ledusskapis ir jāatvērta no strāvas.

Solis 1: Izņemiet divas tapas no durvīm (durvju puse ir atvērta)



Solis 2: Uzstādi durvju rokturi pie durvīm un piestipriniet to ar skrūvēm

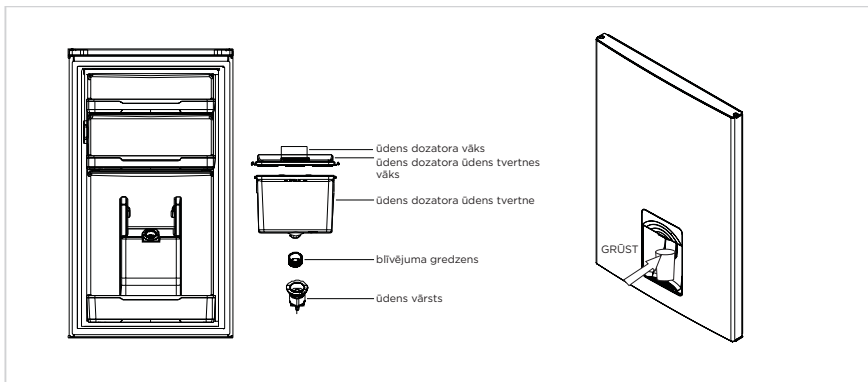


Solis 3: Nosedzi roktura skrūvējamās vāciņus skrūvju caurumos

\* Augstāk redzamais attēls ir domāts tikai atsaucei. Faktiskā konfigurācija būs atkarīga no fiziskā produkta vai izplatītāja paziņojuma.

## Ūdens dozatora izmantošana (pēc izvēles)

1. Vispirms atveriet ūdens iepildes atveres vāku, piepildiet ar dzeramo ūdeni līdz maksimālajam ūdens daudzumam, kas norādīts kā "MAX".
2. Nospiežot sprūda slēdzi krūzes iekšpusē, ūdens sāks tecēt. Kad sprūda taustiņš tiek nospiests atpakaļ sākotnējā stāvoklī, ūdens apstājas.
3. Ūdens dozatoru var izmantot tikai tīram ūdenim, tas nav piemērots dzērieniem vai augļu sulām.



# EKSPLUATĀCIJAS INSTRUKCIJAS

## Ierīces ieslēgšana

Iestatījums "Off": Ierīce izslēgta

Iestatījums "Min": Mazāk vēsa temperatūra

Iestatījums "Med" vai "MID": Normāla darbība (piemērots lielākajai daļai situāciju)

Iestatījums "Max": Vēsākā temperatūra

- Augstas apkārtējās vides temperatūras laikā, piem. karstās vasaras dienās. Var būt nepieciešams iestatīt termostatu uz aukstāko iestatījumu (pozīcija "Max"). Tas var izraisīt kompresora nepārtrauktu darbību, lai uzturētu zemu temperatūru nodalījumā.
- Pirmo reizi uzstādot ledusskapi, iestatiet termostata pogu uz "Med". Pirms ēdiena ievietošanas ļaujiet ledusskapim pilnībā atdzist. Pirms ēdiena ievietošanas vislabāk ir pagaidīt 24 stundas. Termostata poga kontrolē temperatūru. Kad termostata vadības poga ir iestatīta uz OFF, ledusskapis nedarbosies.

## Padomi pārtikas glabāšanai iekārtā

Lai izvairītos no baktēriju pārnesšanas, termiski apstrādātu gaļu/zivis vienmēr jāuzglabā plauktā virs jēlas gaļas/zivīm. Glabājiet jēlu gaļu/zivis traukā, kas ir pietiekami liels, lai uzkrātu visus šķidrums, un pilnībā pārklāj gaļu/zivis. Novietojiet trauku zemākajā plauktā.

- Atstājiet vietu ap ēdienu, lai nodrošinātu gaisa cirkulāciju ierīces iekšpusē. Nodrošiniet, lai visas ierīces daļas būtu vēsas.
- Lai izvairītos no ēdiena aromātu pārneses un ēdiena izžūšanas, iepakojiet vai pārklājiet katru ēdienu atsevišķi. Augļi un dārzeņi nav jāiesaiņo.
- Pirms ievietošanas ierīcē vienmēr ļaujiet atdzist iepriekš pagatavotam ēdienam. Tas palīdzēs uzturēt pareizu ierīces iekšējo temperatūru.
- Lai novērstu aukstā gaisa izplūšanu no ierīces, mēģiniet ierobežot durvju atvēršanas reižu skaitu. Mēs iesakām atvērt durvis tikai tad, kad nepieciešams ievietot vai izņemt ēdienu.

## Mainiet spuldzi

Lampu nomainīu jāveic profesionāļiem.

Secība	Nodalījumu TIPS	Mērķa uzglabāšanas temp. [°C]	Atbilstoša pārtika
1	Ledusskapis	+2 - +8	Saldēšanai nav piemērotas olas, pagatavots ēdiens, fasēti pārtikas produkti, augļi un dārzeņi, piena produkti, kūkas, dzērieni un citi pārtikas produkti.
2	(***)*- Saldētava	≤-18	Jūras veltes (zivis, garneles, vēžveidīgie), saldūdens produkti un gaļas produkti (ieteicams uzglabāt 3 mēnešus, jo ilgāks uzglabāšanas laiks, jo sliktāka garša un uzturvērtība) ir piemēroti saldētai svaigai pārtikai.
3	*** -Saldētava	≤-18	Jūras veltes (zivis, garneles, vēžveidīgie), saldūdens produkti un gaļas produkti (ieteicams uzglabāt 3 mēnešus, jo ilgāks uzglabāšanas laiks, jo sliktāka garša un uzturvērtība) ir piemēroti saldētai svaigai pārtikai.
4	** -Saldētava	≤-12	Jūras veltes (zivis, garneles, vēžveidīgie), saldūdens produkti un gaļas produkti (ieteicams uzglabāt 3 mēnešus, jo ilgāks uzglabāšanas laiks, jo sliktāka garša un uzturvērtība) ir piemēroti saldētai svaigai pārtikai.
5	* -Saldētava	≤-6	Jūras veltes (zivis, garneles, vēžveidīgie), saldūdens produkti un gaļas produkti (ieteicams uzglabāt 3 mēnešus, jo ilgāks uzglabāšanas laiks, jo sliktāka garša un uzturvērtība) ir piemēroti saldētai svaigai pārtikai.
6	0- zvaigžņu	-6 - 0	Svaiga cūkgaļa, liellopu gaļa, zivis, vistas gaļa, daži fasēti pārstrādāti pārtikas produkti u. c. (ieteicams apēst tajā pašā dienā, vēlams ne ilgāk kā 3 dienas). Daļēji iepakulēta pārstrādāta pārtika (nesaldējama pārtika).
7	Atdzesēšana	-2 - +3	Svaiga/saldēta cūkgaļa, liellopu gaļa, vistas gaļa, saldūdens ūdens produkti utt. (7dienas zem 0°C un virs 0°C ieteicams lietot uzturā šīs dienas laikā, vēlams ne ilgāk kā 2 dienas). Jūras veltes (mazāk par 0°C uz 15 dienām, nav ieteicams uzglabāt virs 0°C).
8	Svaigā pārtika	0 - +4	Svaiga cūkgaļa, liellopu gaļa, zivis, vistas gaļa, pagatavoti ēdieni u. c. (ieteicams apēst tajā pašā dienā, vēlams ne ilgāk kā 3 dienās).
9	Vīns	+5 - +20	Sarkanvīns, baltvīns, dzirkstošais vīns utt.

## UZMANĪBU

Lūdzu, uzglabājiet dažādus pārtikas produktus atbilstoši nodalījumiem vai mērķa uzglabāšanas temperatūrai.

# TĪRĪŠANA UN APKOPE

## Atkausēšana

- Izslēdziet ledusskapi.
- Izņemiet pārtiku no ledusskapja un novietojiet to pareizi, lai novērstu pārtikas kušanu.
- Atbrīvojiet drenāžas cauruli (lai izmantotu mīkstu materiālu, lai nesabojātu starpliku), sagatavojiet ūdens tvertnes atkausēšanai. (pievērsiet uzmanību zemes tīrīšanai).
- Varat arī izmantot atbilstošu karstā ūdens daudzumu, lai paātrinātu atkausēšanu, ar sausu dvieli, lai pēc atkausēšanas nosusinātu ūdeni.
- Varat arī izmantot atbilstošu karstā ūdens daudzumu, lai paātrinātu atkausēšanu, ar sausu dvieli, lai pēc atkausēšanas nosusinātu ūdeni.
- Pēc atkausēšanas ievietojiet pārtiku atpakaļ skapī un ieslēdziet ledusskapi.

## Pārtraukt lietot

### Strāvas padeves traucējumi:

Strāvas padeves traucējumu gadījumā, pat ja tas notiek vasarā, pārtikas produktus ierīces iekšpusē var turēt vairākas stundas; strāvas padeves pārtraukuma laikā ir jāsamazina durvju atvēršanas reižu skaits, un ierīcē vairs nedrīkst ievietot svaigu pārtiku.

### Nelietošana ilgu laiku:

Ierīci jāatvieno no tīkla un pēc tam jānotīra; ierīces durvis ir jāatstāj atvērtas, lai novērstu nepatīkamas smakas veidošanos.

### Pārvietošana:

Starpšienas, dārzeņu turētājs, saldēšanas kameras atvilktnes utt. ar līmlenti un pievelciet izlīdzināšanas kājas; aizveriet durvis un aizzīmogojiet tās ar lenti. Pārvietošanas laikā ierīci nedrīkst novietot otrādi vai horizontāli, kā arī to nedrīkst svārstīt; slīpums kustības laikā nedrīkst būt lielāks par 45°.

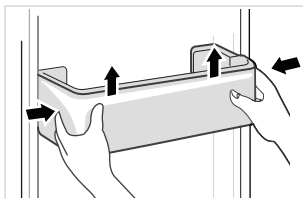
## UZMANĪBU

Pēc ieslēgšanas ierīcei ļaujiet darboties nepārtraukti. Parasti ierīces darbību nedrīkst pārtraukt, pretējā gadījumā var samazināties tās kalpošanas laiks.

Ēdienus pāris stundas var iekonservēt pat vasarā strāvas padeves pārtraukuma gadījumā; ieteicams samazināt durvju atvēršanas biežumu.

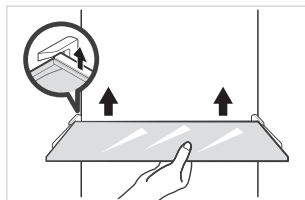
## Durvju paliktnis tīrīšana

- Atbilstoši bultiņas virzienam zemāk redzamajā attēlā, izmantojiet abas rokas, lai saspiestu plauktiņu, paceliet to uz augšu, tad jūs to varat izņemt.
- Pēc izņemtā durvju plauktiņa nomazgāšanas jūs varat pielāgot tā uzstādīšanas augstumu atbilstoši savām vajadzībām.



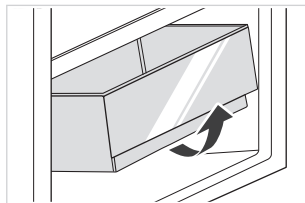
## Stikla plaukta tīrīšana

- Tā kā ledusskapja iekšējai daļai, kas nonāk saskarē ar plauktiem, ir atbalsta mehānisms, jums jāpaceļ plaukti uz augšu, un tad jūs varēsiet tos izņemt.
- Pielāgojiet vai notīriet plauktus atbilstoši savām vajadzībām.



## Dārzeņu atvilktnes tīrīšana

1. Izņemiet atvilktnes saturu. Turiet dārzeņu atvilktnes rokturi un pilnībā izvelciet atvilktni, līdz tā apstājas.
2. Paceliet dārzeņu atvilktni uz augšu un izvelciet to.



## UZMANĪBU

Ieteicams izmantot mīkstus dvieļus vai sūkli, kas iemērkti ūdenī, un nekadīgus neitrālus mazgāšanas līdzekļus. Pirms strāvas padeves ieslēgšanas atveriet ledusskapja durvis, lai tas dabīgi nožūtu. Nelietojiet cietas birstes, tīrus tērauda gultņus, stieple sukas, abrazīvus līdzekļus, piemēram, zobu pastas, organiskos šķīdinātājus (piemēram, spirtu, acetonu, banānu eļļu utt.), verdošu ūdeni, skābus vai sārmainus līdzekļus, jo tie var sabojāt ledusskapja virsmu un iekšpusi.



# DARBĪBAS TRAUCĒJUMI

Lietotājs var atrisināt šādas vienkāršas problēmas. Lūdzam sazināties ar pēc pārdošanas servisa nodaļu, ja problēmas netiek atrisinātas.

Problēma	Iespējamais iemesls
Ierīce nedarbojas	<ul style="list-style-type: none"><li>• Pārbaudiet, vai ierīce ir pieslēgta strāvas padevei un vai kontaktdakša ir labā kontaktā.</li></ul>
	<ul style="list-style-type: none"><li>• Pārbaudiet, vai spriegums nav pārāk zems.</li></ul>
	<ul style="list-style-type: none"><li>• Pārbaudiet, vai ir strāvas padeves pārtraukums vai daļējas ķēdes ir atslēgušās.</li></ul>
Nepatīkama smaka	<ul style="list-style-type: none"><li>• Aizturīgi pārtikas produkti ir cieši iesaiņoti.</li></ul>
	<ul style="list-style-type: none"><li>• Pārbaudiet, vai nav sapuvuša ēdiena.</li></ul>
	<ul style="list-style-type: none"><li>• Iztīriet ledusskapja iekšpusi</li></ul>
Kompresora ilgstoša darbība	<ul style="list-style-type: none"><li>• Laida ledusskapja darbība vasarā ir normāla.</li></ul>
	<ul style="list-style-type: none"><li>• Ja ārā ir augsta temperatūra Nav ieteicams ievietot ierīcē pārāk daudz ēdiena uzreiz.</li></ul>
	<ul style="list-style-type: none"><li>• Pārtikai pirms ievietošanas ierīcē ir jāatdziest.</li></ul>
	<ul style="list-style-type: none"><li>• Durvis tiek atvērtas pārāk bieži</li></ul>
Nedeg gaisma	<ul style="list-style-type: none"><li>• Pārbaudiet, vai ledusskapis ir pieslēgts strāvas padevei un vai apgaismojošā lampiņa nav bojāta.</li></ul>
	<ul style="list-style-type: none"><li>• Lai gaismu nomainītu speciālists</li></ul>
Durvis nevar pareizi aizvērt	<ul style="list-style-type: none"><li>• Durvis ir aizķērušās ar pārtikas iepakojumiem Ir ievietots pārāk daudz pārtikas.</li></ul>
	<ul style="list-style-type: none"><li>• Ledusskapis ir sasvērts.</li></ul>
Skaļi trokšņi	<ul style="list-style-type: none"><li>• Pārbaudiet, vai grīda ir līdzena un vai ledusskapis ir novietots stabili.</li></ul>
	<ul style="list-style-type: none"><li>• Pārbaudiet, vai piederumi ir novietoti pareizās vietās.</li></ul>

LV

Problēma	Iespējamais iemesls
Durvju blīves cieši nepieguļ	<ul style="list-style-type: none"> <li>• Atbrīvojiet svešķermeņus uz durvju blīvējuma</li> <li>• Atjaunojot durvju blīvējumu, vispirms to uzsildiet (vai izmantojiet elektrisko fēnu vai karstu dvieli).</li> </ul>
Pārplūst piļienu uztveršanas paliktnis	<ul style="list-style-type: none"> <li>• Kamerā ir pārāk daudz pārtikas produktu vai uzglabātajos pārtikas produktos ir pārāk daudz ūdens, kā rezultātā notiek smaga atkausēšana.</li> <li>• Durvis nav pareizi aizvērtas, kā rezultātā gaisa iekļūšanas dēļ veidojas sals un atkausēšanas dēļ palielinās ūdens daudzums.</li> </ul>
Karsts ierīces korpuss	<ul style="list-style-type: none"> <li>• Lebūvētais kondensators izvada siltumu caur korpusu, kas ir normāli. Nodrošiniet skaņas ventilāciju, lai palīdzētu izkliedēt siltumu, ja korpuss kļūst karsts augstas apkārtējās vides temperatūras, pārāk liela pārtikas produktu daudzuma uzglabāšanas vai kompresora izslēgšanas dēļ.</li> </ul>
Virsmas kondensācija	<ul style="list-style-type: none"> <li>• Ja apkārtējais mitrums ir pārāk augsts, uz ledusskapja ārējās virsmas un durvju blīvēm veidojas kondensāts. Vienkārši noslaukiet kondensātu ar tīru dvieli.</li> </ul>
Neparasts troksnis	<ul style="list-style-type: none"> <li>• Buzz: Darbības laikā kompresors var radīt dūkšanas skaņu, un dūkšana ir skaļa, iedarbinot ierīci vai apstādinot ierīces darbību. Tas ir normāli.</li> <li>• Creak: Ierīces iekšpusē plūstošais dzesētājs var radīt čīkstošu skaņu, tas ir normāli.</li> </ul>

# DOKUMENTI UN SERTIFIKĀTI

## Atbilstības Deklarācija

Ar šo mēs apstiprinām, ka šādi klientu modeļu nosaukumi un Midea modeļu nosaukumi sakrīt.

Zīmols	Midea Modelis	Mārketinga Modelis	Rūpnīcas Modelis
Midea	HD-273FN	MDRT294FGE01	CE-BCD210CM-JQ
Midea	HD-273FN	MDRT294FGE50	CE-BCD210CM-JQ
Midea	HD-273FN	MERT210FGE01	CE-BCD210CM-JQ
Midea	HD-273FN	MERT210FGE50	CE-BCD210CM-JQ

Ražotāja nosaukums: Guangzhou Midea Hualing Refrigerator Co., Ltd.  
No. 5 Xinguangsi Road, Qianfeng Zhujiang, Nansha  
Rajons, Guangzhou Pilsēta, Guangdong Province,  
Ražotāja adrese: Ķīnas Tautas Republika

Mēs, Guangzhou Midea Hualing Refrigerator Co., Ltd., ar šo paziņojam, ka iepriekš minētie produkti atbilst iepriekš minētajiem šobrīd spēkā esošajiem noteikumiem un standartiem.

# PIELIKUMS

## Īpaši jaunajam Eiropas standartam

Tālāk tabulā norādītās daļas var iegādāties no pakalpojuma sniedzēja

Pasūtītā daļa	Nodrošina	Minimālais sagādei nepieciešamais laiks
Termostati	Profesionāls tehniskās apkopes personāls	Vismaz 7 gadus pēc pēdējā modeļa laišanas tirgū
Temperatūras sensori	Profesionāls tehniskās apkopes personāls	Vismaz 7 gadus pēc pēdējā modeļa laišanas tirgū
Drukātās shēmas plates	Profesionāls tehniskās apkopes personāls	Vismaz 7 gadus pēc pēdējā modeļa laišanas tirgū
Gaismas avoti	Profesionāls tehniskās apkopes personāls	Vismaz 7 gadus pēc pēdējā modeļa laišanas tirgū
Durvju rokturi	Profesionāli remontētāji un galalietotāji	Vismaz 7 gadus pēc pēdējā modeļa laišanas tirgū
Durvju eņģes	Profesionāli remontētāji un galalietotāji	Vismaz 7 gadus pēc pēdējā modeļa laišanas tirgū
Plauktiņi	Profesionāli remontētāji un galalietotāji	Vismaz 7 gadus pēc pēdējā modeļa laišanas tirgū
Grozi	Profesionāli remontētāji un galalietotāji	Vismaz 7 gadus pēc pēdējā modeļa laišanas tirgū
Durvju blīves	Profesionāli remontētāji un galalietotāji	Vismaz 10 gadus pēc pēdējā modeļa laišanas tirgū

## Cienījamais klient

1. Ja vēlaties atgriezt vai nomainīt preci, lūdzu, sazinieties ar veikalu, kurā iegādājāties doto ierīci.

(Atcerieties paņemt līdzi pirkuma rēķinu)

2. Ja jūsu produkts sabojājas un ir jālabo, lūdzu, sazinieties ar pēcpārdošanas pakalpojuma sniedzēju.

## UZMANĪBU

Informāciju par modeli produkta datubāzē, kā arī modeļa identifikatoru var iegūt tīmekļa saitē, noskenējot QR kodu, ja tāds ir redzams uz ražojuma energoefektivitātes etiķetes.

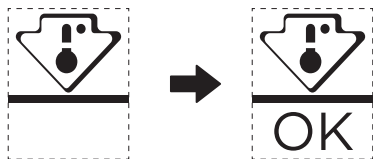
Izmantojiet modeļa nosaukumu, lai veiktu meklēšanu vietnē <https://ec.europa.eu> un uzzinātu vairāk par ierīces energoefektivitāti.

Modeļa nosaukumu var atrast uz ierīces marķējuma.

## Aukstākā zona ledusskapī

### PĒC IZVĒLES: OK-temperatūras indikators

- OK-temperatūras indikatoru var izmantot, lai noteiktu temperatūru zem +4°C. Pakāpeniski samaziniet temperatūru, ja zīme nenorāda "OK".



- Lai nodrošinātu pareizu temperatūru šajā zonā, neizmainiet plaukta novietojumu. Ledusskapjiem ar mākslīgi radītu gaisa padevi (aprīkoti ar ventilatoru vai No Frost modeļi) aukstākās zonas simbols nav attēlots, jo temperatūra ledusskapja iekšpusē ir viendabīga.

### Temperatūras indikatora iestatījums

- Lai palīdzētu pareizi iestatīt ledusskapi, tas ir aprīkots ar temperatūras indikatoru, kas uzrauga vidējo temperatūru aukstākajā zonā.
- BRĪDINĀJUMS:** Šis indikators ir paredzēts tikai jūsu ledusskapim, nelietojiet to citā ledusskapī (aukstākā zona nebūs tāda pati) vai jebkādam citam mērķim.

### Temperatūras pārbaude aukstākajā zonā

- Izmantojot temperatūras indikatoru, jūs varat regulāri pārbaudīt, vai aukstākās zonas temperatūra ir pareiza. Ledusskapja iekšējā temperatūra ir atkarīga no vairākiem faktoriem, piemēram, istabas apkārtējās vides temperatūras, uzglabātā pārtikas produkta daudzuma un durvju atvēršanas biežuma. Iestatot ierīci, ņemiet vērā šos faktorus.
- Ja indikators rāda "OK", tas nozīmē, ka termostats ir labi noregulēts un iekšējā temperatūra ir pareiza.
- Ja temperatūras indikators kļūst BALTS, tas nozīmē, ka temperatūra ir pārāk augsta; šādā gadījumā palieliniet ledusskapja temperatūras regulēšanas iestatījumu un pagaidiet 12 stundas, pirms veicat atkārtotu indikatora vizuālu pārbaudi. Ja ir ievietots svaigs ēdiens vai ledusskapja durvis ir atstātas atvērtas, ir iespējams, ka temperatūras indikators pēc kāda laika kļūst BALTS.

## **PADĖKOS LAIŠKAS**

Dėkojame, kad pasirinkote "Midea"! Prieš naudodami savo naująjį "Midea" gaminį, atidžiai perskaitykite šį vadovą ir įsitinkinkite, kad žinote, kaip saugiai naudotis naujojo prietaiso funkcijomis ir savybėmis.

# TURINYS

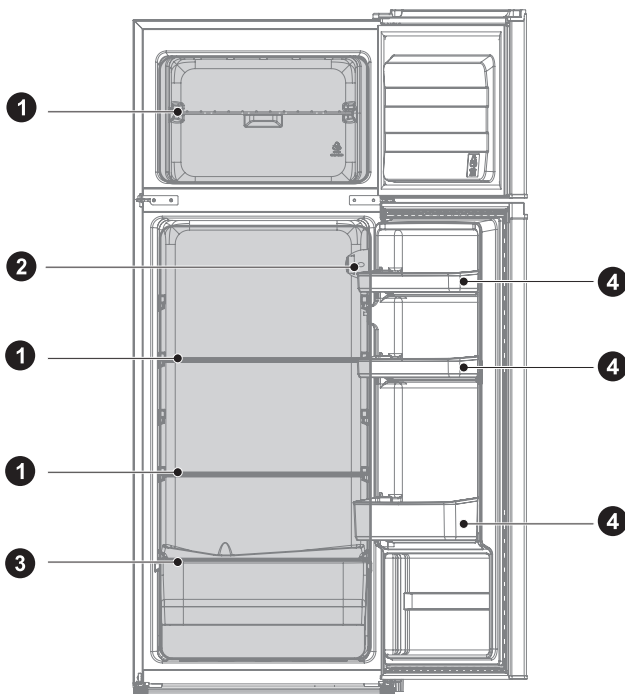
<b>PADĖKOS LAIŠKAS</b> -----	01
<b>SPECIFIKACIJOS</b> -----	02
<b>PRODUKTO PERŽIŪRA</b> -----	03
<b>PRODUKTO MONTAVIMAS</b> -----	04
<b>NAUDOJIMO INSTRUKCIJOS</b> -----	11
<b>VALYMAS IR PRIEŽIŪRA</b> -----	13
<b>GEDIMŲ ŠALINIMAS</b> -----	15
<b>DOKUMENTAI IR SERTIFIKATAI</b> -----	17
<b>PRIEDAS</b> -----	18

# SPECIFIKACIJOS

<b>Produkto modelis</b>	<b>MDRT294FGE01/MDRT294FGE50 /MERT210FGE01/MERT210FGE50</b>
Šviežio Maisto Laikymo Skyriaus Tūris	163 L
Šaldyto Maisto Laikymo Tūris	41 L
Atitirpinimo Tipas	Rankinis atitirpinimas
Temperatūros Kیلimo LAikas	8 h
Užšaldymas Pajėgumai	2,0 kg/24h
Nominali Įtampa	220-240 V-
Nominali Srovė	0,5 A
Bendras Matmuo (A x P x G)	1430x550x550 mm

# PRODUKTO PERŽIŪRA

## Komponentų pavadinimai



1 Lentyna

2 Termosatorius

3 Apatinis stalčius

4 Durų dėklas

### ⚠ DĖMESIO

Aukščiau pateiktas paveikslėlis yra tik informacinis. Faktinė konfigūracija priklausys nuo fizinio produkto ar platintojo pareiškimo.



# PRODUKTO MONTAVIMAS

## Montavimo Instrukcija

### Klimato klasės šaldymo prietaisams

- Priklausomai nuo klimato klasės, šis šaldymo prietaisas skirtas naudoti tokioje aplinkoje, kurios temperatūros diapazonas nurodytas toliau pateiktoje lentelėje.
- Klimato klasę rasite duomenų lentelėje. Produktas gali tinkamai neveikti temperatūrai esant už tam tikro diapazono ribų.
- Klimato klasę rasite gaminio etiketėje.

### Efektyvus temperatūros diapazonas

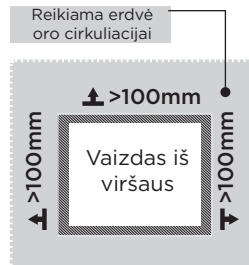
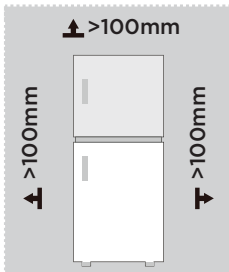
- Gaminys suprojektuotas taip, kad normaliai veiktų temperatūrų diapazone, nurodytame jo klasės kategorijoje.

Klasė	Simbolis	Aplinkos temperatūros diapazonas °C	
		IEC 62552 (ISO 15502)	ISO 8561
Išplėstinis vidutinis	SN	+ 10 iki + 32	+ 10 iki + 32
Vidutinio	N	+ 16 iki + 32	+ 16 iki + 32
Subtropikų	ST	+ 16 iki + 38	+ 18 iki + 38
Atogrąžų	T	+ 16 iki + 43	+ 18 iki + 43

LT

### Matmenys ir Atstumai

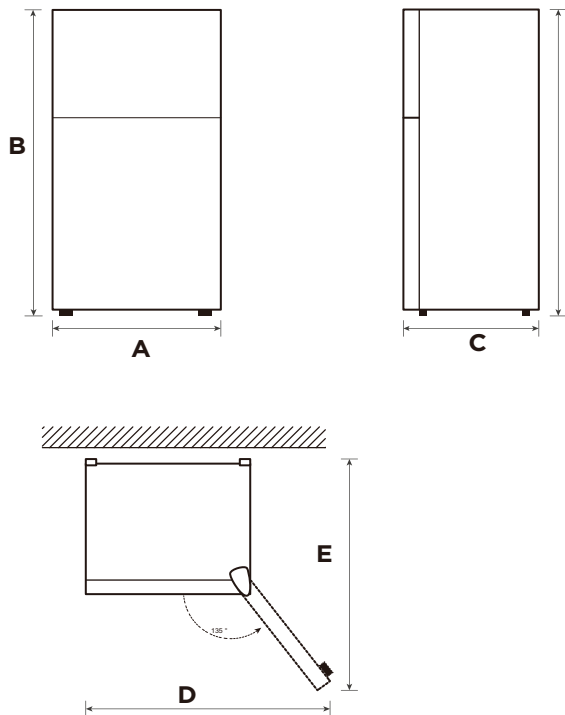
- Jei atstumas tarp gretimų elementų yra per mažas, gali sumažėti šaldymo pajėgumas ir padidėti elektros energijos sąnaudos. Montuodami prietaisą, nuo kiekvienos gretimos sienos palikite daugiau kaip 100 mm tarpą.



### ⚠ DĖMESIO

Aukščiau pateiktas paveikslėlis yra tik informacinis. Faktinė konfigūracija priklausys nuo fizinio produkto ar platintojo pareiškimo.

Erdvės palikimo schema (kai durys atidarytos ir kai durys uždarytos)



LT

Plotis	Bendras Aukštis	Gylis	Durų plotis atsidaro 135° kampu	Giluminės durys atsidaro 135° kampu
A	B	C	D	E
550	1430	550	902	1052

Pastabos: Visi matmenys (mm)

## Išlyginimo kojelės

Siekiant išvengti vibracijos, įrenginys turi būti išlygintas.

Jei reikia, sureguliuokite išlyginamuosius varžtus, kad kompensuotumėte grindų nelygumus.

Priekinė dalis turėtų būti šiek tiek aukščiau nei galinė, kad būtų lengviau uždaryti duris.

Išlyginimo varžtus galima lengvai pasukti šiek tiek pakreipus spintelę.

Pasukite išlyginimo varžtus prieš laikrodžio rodyklę, kad  pakeltumėte įrenginį, pagal laikrodžio rodyklę - kad  nuleistumėte.

## Prietaiso perkėlimas

1. Iš prietaiso vidaus išimkite visus maisto produktus.
2. Ištraukite maitinimo kištuką, įkiškite jį ir pritvirtinkite prie maitinimo kištuko kabliuko, esančio prietaiso gale arba viršuje.
3. Tokias dalis, kaip lentynos ir durelių rankena, apkljuokite lipnia juosta, kad judant prietaisui nenukristų.
4. Perkelkite prietaisą atsargiai padedant daugiau nei dviem žmonėms. Transportuodami prietaisą dideliu atstumu, laikykite jį vertikaloje padėtyje.
5. Sumontavę prietaisą, įjunkite maitinimo kištuką į maitinimo lizdą ir įjunkite prietaisą.

### DĖMESIO

Aukščiau pateiktas paveikslėlis yra tik informacinis. Faktinė konfigūracija priklausys nuo fizinio produkto ar platintojo pareiškimo.

## Durų keitimas iš dešinės į kairę (neprivaloma)

Atsižvelgiant į tai, kur planuojate naudoti šaldytuvą, gali būti patogiau duris laikyti priešingoje padėtyje.

### **ATSARGIAI**

**ATSARGIAI:** Kad išvengtumėte sužalojimų sau ar savo turtui, rekomenduojame, kad kas nors jums padėtų durų atsukimo metu.

Pasiruošimas pakeisti durų padėtį

Jums reikės: Standartinis atsuktuvus, kryžminis atsuktuvus ir pridėdamas veržliaraktis.

- Įsitikinkite, kad šaldytuvus yra atjungtas nuo elektros tinklo ir tuščias.
- Turėkite žmogų, kuris galėtų jums padėti šiame procese.
- Saugokite visas nuimtas dalis, kad vėliau galėtumėte jas vėl panaudoti.

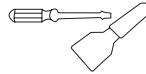
### **Įrankiai, reikalingi durims pakeisti:**



Kryžminis atsuktuvus



5/16" lizdas ir reketas



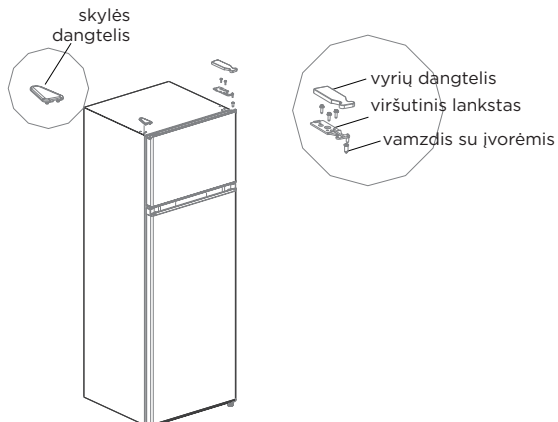
Atsuktuvus su plokščiu galu



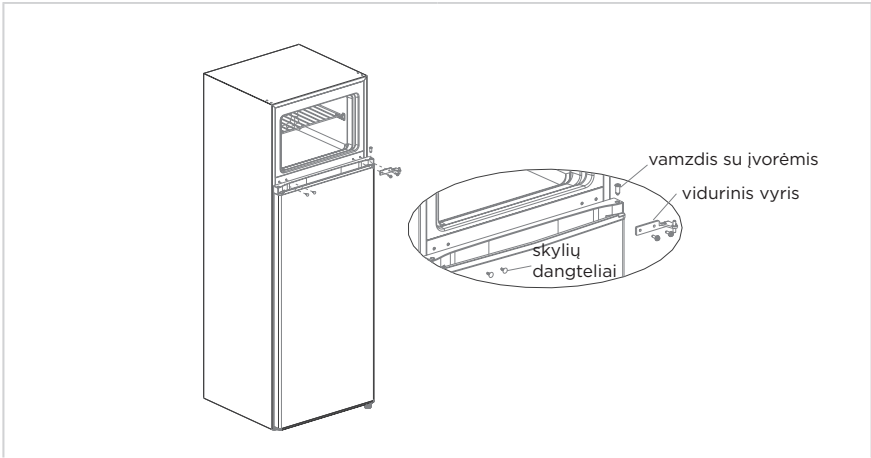
Izoliacinė juosta

### **Žingsnis**

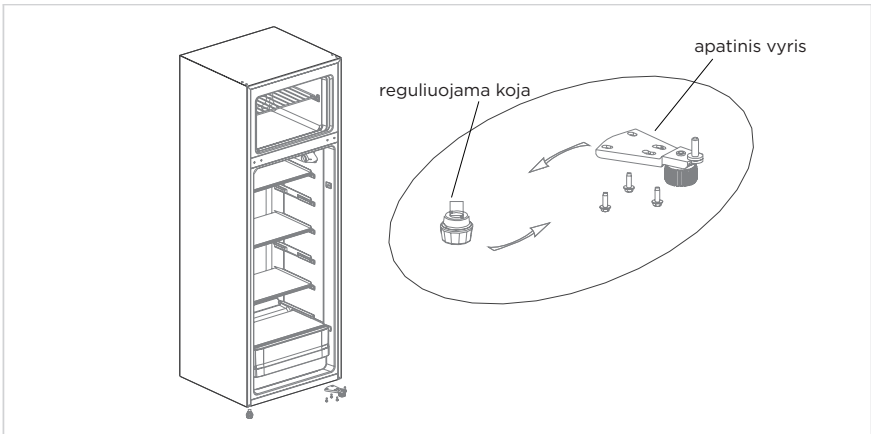
1. Išjunkite šaldytuvą ir nuimkite visus produktus nuo durelių dėklų.
2. Nuimkite viršutinio vyro dangtelį, viršutinį vyrį, šaldiklio durelių įvorės vamzdį ir kitos pusės skylės dangtelį.



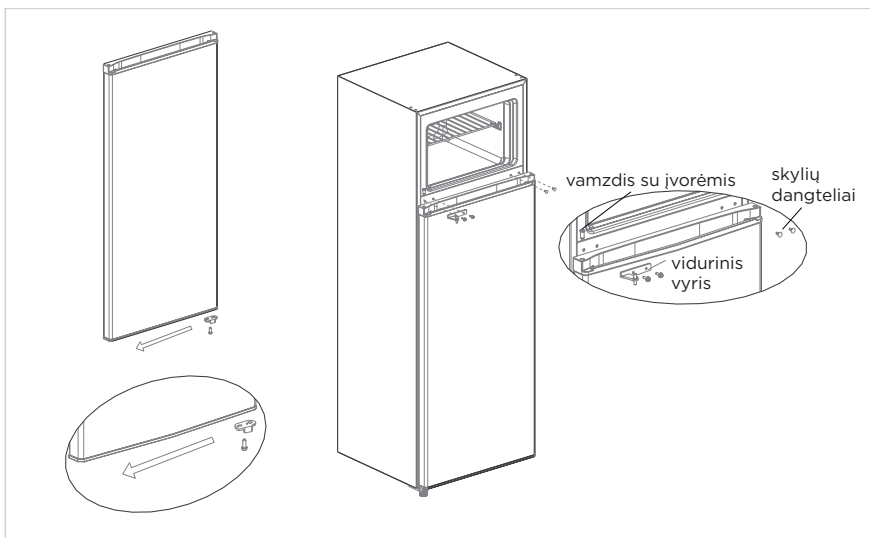
3. Nuimkite šaldymo kameros duris, vidurinį vyrį, šaldymo durų įvorės vamzdį ir kitos pusės skylių dangtelius.



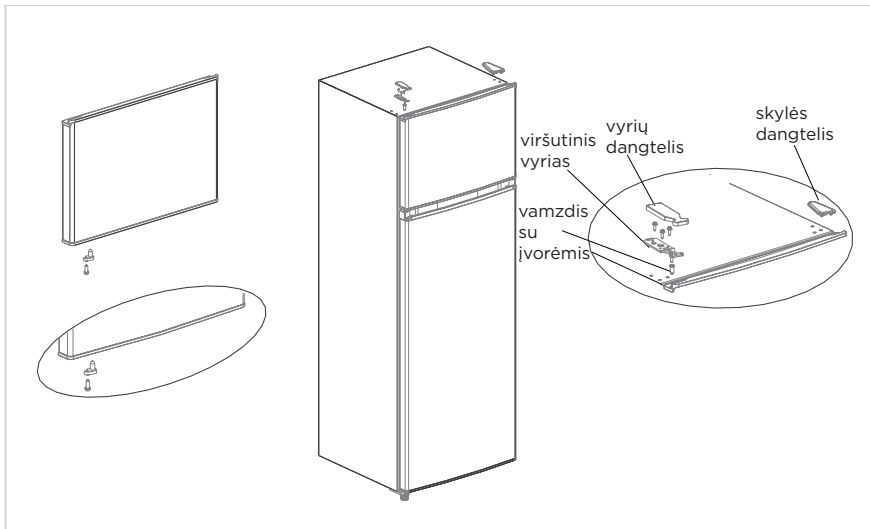
4. Nuimkite šaldytuvo duris, nuimkite apatinį vyrį ir reguliuojamą kitos pusės kojelę.  
5. Kitoje pusėje sumontuokite apatinį vyrį mazgą ir reguliuojamą kojelę.



6. Sumontuokite šaldymo durelių stabdytoją kitoje pusėje.  
7. Uždėkite šaldytuvo duris ant apatinio vyro, sumontuokite vidurinį vyrį, skylių dangtelius ir šaldymo durų įvorės vamzdį.



8. Iš priedų pakuotės išimkite šaldiklio durelių kamštį ir sumontuokite jį kitoje šaldiklio durelių pusėje.
9. Iš priedų pakuotės išimkite dešinįjį viršutinį vyrį, dešinįjį viršutinį vyrių dangtelį; uždėkite šaldiklio dureles ant viduriniojo vyro, įkiškite įvorės vamzdį į viršutinės kairės pusės durelių vyro angą, sumontuokite viršutinį vyrį ir viršutinį vyrių dangtelį, tada fiksukite skylės dangtelį kitoje šaldytuvo pusėje.



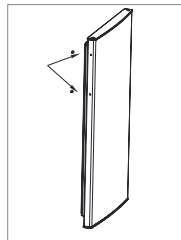
**● DĖMESIO**

Aukščiau pateiktas paveikslėlis yra tik informacinis. Faktinė konfigūracija priklausys nuo fizinio produkto ar platintojo pareiškimo.

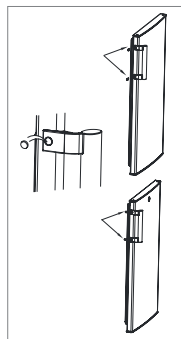
## Durų Rankenos Montavimas Apšvietimas (neprivaloma)

Pastaba: Naudotojo vadove pateikti skaičiai yra tik informacinio pobūdžio. Tikrasis gaminys gali šiek tiek skirtis. Prieš montuojant priedus, šaldytuvas turi būti atjungtas nuo elektros tiekimo šaltinio.

1 žingsnis: Iš durų išimkite du kištukinius kaiščius (durų šonas atidarytas)



2 žingsnis: Sumontuokite durų rankeną prie durų ir pritvirtinkite ją varžtais



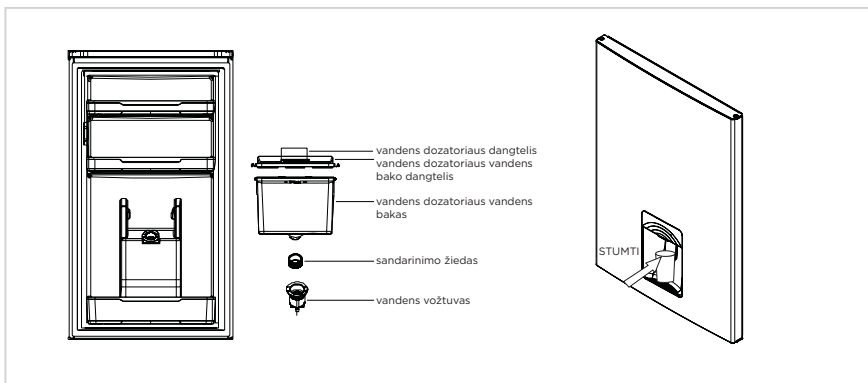
3 žingsnis: Uždenkite rankenos varžtų dangtelius į varžtų skylės

\* Aukščiau pateiktas paveikslėlis yra tik informacinis. Faktinė konfigūracija priklausys nuo fizinio produkto ar platintojo pareiškimo

LT

## Vandens dozatoriaus naudojimas (pasirinktinai)

1. Pirmiausia atidarykite vandens įleidimo dangtelį, pripilkite geriamojo vandens iki "MAX", pažymėto kaip didžiausias vandens kiekis.
2. Paspaudus gaiduką puodelio viduje, vanduo pradės tekėti. Kai gaidukas pastumiamas atgal į pradinę padėtį, vanduo sustoja.
3. Vandens dozatorius gali būti naudojamas tik grynam vandeniui, netinka gėrimams ar vaisių sultims.



# NAUDOJIMO INSTRUKCIJOS

## Įrenginio Įjungimas

Nustatymas "Off" (Išjungta): Išjungtas Šaldytuvas

Nustatymas "Min": Mažesnė Vėsos Temperatūra

Nustatymas "Med" arba "MID": Normalus Veikimas (tinka daugeliui situacijų)

Nustatymas "Max" (Maks): Vėšiausia temperatūra

- Esant aukštai aplinkos temperatūrai, pvz., karštomis vasaros dienomis. Gali prireikti termostatą nustatyti į šalčiausią nustatymą (padėtis "Max" (Maks)). Dėl to kompresorius gali veikti nuolat, kad spintoje būtų palaikoma žema temperatūra.
- Pirmą kartą įrengdami šaldytuvą, nustatykite termostato rankenėlę ties "Med". Prieš įdėdami maisto produktus, leiskite šaldytuvui visiškai atvėsti. Geriausia palaukti 24 valandas ir tik tada pridėti maisto. Termostato rankenėle reguliuojama temperatūra. Kai termostato valdymo rankenėlė nustatyta į padėtį išjungta, šaldytuvas neveikia.

## Patarimai, kaip laikyti maistą įrenginyje

Virta mėsa/žuvis visada turėtų būti laikomi lentynoje virš žalios mėsos/žuvies, kad būtų išvengta bakterijų perkėlimo. Neapdorotą mėsa/žuvį laikyti pakankamai didelėje talpykloje, kad surinktų sultis ir tinkamai uždengti. Padėkite indą ant žemiausio lentynos.

- Palikite maistui erdvės, kad įrenginio viduje cirkuliuotų oras. Įsitikinkite, kad visos įrenginio dalys yra laikomos šaltai.
- Norėdami išvengti kvapo ir išsausėjimo, pakuokite arba uždenkite maistą atskirai. Vaisių ir daržovių nereikia vynioti.
- Visada leiskite iš anksto paruoštiems maisto produktams atvėsti prieš įdedant į įrenginį. Tai padės palaikyti vidinę įrenginio temperatūrą.
- Kad išvengti šalto oro iš įrenginio, pabandykite apriboti durų atidarymo skaičių. Rekomenduojame duris atidaryti tik tada, kai reikia įdėti maisto ar iš jo pasiimti.

## Pakeiskite lemputę

Profesionalų lempos keitimas.



Numeris	Skyriai TIPAS	Normatyvinė laikymo temp. [°C]	Tinkamas maistas
1	Šaldytuvas	+2 - +8	Kiaušiniai, virtas maistas, supakuotas maistas, vaisiai ir daržovės, pieno produktai, pyragai, gėrimai ir kiti maisto produktai šaldymui netinka.
2	(***)*- šaldiklis	≤-18	Jūros gėrybės (žuvis, krevetės, vėžiagyviai), gėlavandeniai vandens produktai ir mėsos produktai (rekomenduojama laikyti 3 mėnesius, kuo ilgiau, tuo prastesnis skonis ir maistingumas), tinka šaldyti šviežius maisto produktus.
3	***- šaldiklis	≤-18	Jūros gėrybės (žuvis, krevetės, vėžiagyviai), gėlavandeniai vandens produktai ir mėsos produktai (rekomenduojama laikyti 3 mėnesius, kuo ilgiau, tuo prastesnis skonis ir maistingumas), tinka šaldyti šviežius maisto produktus.
4	**- Šaldiklis	≤-12	Jūros gėrybės (žuvis, krevetės, vėžiagyviai), gėlavandeniai vandens produktai ir mėsos produktai (rekomenduojama laikyti 3 mėnesius, kuo ilgiau, tuo prastesnis skonis ir maistingumas), tinka šaldyti šviežius maisto produktus.
5	*- Šaldiklis	≤-6	Jūros gėrybės (žuvis, krevetės, vėžiagyviai), gėlavandeniai vandens produktai ir mėsos produktai (rekomenduojama laikyti 3 mėnesius, kuo ilgiau, tuo prastesnis skonis ir maistingumas), tinka šaldyti šviežius maisto produktus.
6	0- žvaigždučių	-6 - 0	Šviežia kiauliena, jautiena, žuvis, vištiena, kai kurie supakuoti perdirbti maisto produktai ir t. t. (Rekomenduojama suvalgyti tą pačią dieną, pageidautina ne vėliau kaip per 3 dienas). Iš dalies inkapsuluoti perdirbti maisto produktai (neužšaldomi maisto produktai).
7	Vėsinimas	-2 - +3	Šviežia ir (arba) šaldyta kiauliena, jautiena, vištiena, gėlavandeniai vandens produktai ir t. t. (rekomenduojama vartoti 7 dienas žemesnėje nei 0°C temperatūroje ir aukštesnėje nei 0°C temperatūroje, geriausia ne ilgiau kaip 2 dienas). Jūros gėrybės (žemesnėje kaip 0°C temperatūroje gali būti laikomos 15 dienų, nerekomenduojama laikyti aukštesnėje nei 0°C temperatūroje).
8	Šviežias maistas	0 - +4	Šviežia kiauliena, jautiena, žuvis, vištiena, virtas maistas ir t. t. (Rekomenduojama suvalgyti per tą pačią dieną, pageidautina ne daugiau kaip per 3 dienas)
9	Vynas	+5 - +20	Raudonas vynas, baltas vynas, putojantis vynas ir t. t.

## DĖMESIO

Laikykite skirtingus maisto produktus atitinkamuose skyriuose arba pagal normatyvinę laikymo temperatūrą.

# VALYMAS IR PRIEŽIŪRA

## Atšildymas

- Išjunkite šaldytuvą.
- Išimkite maistą iš šaldytuvo ir tinkamai jį padėkite, kad maistas neištirtų.
- Išvalyti nutekamąjį vamzdį (naudoti minkštas medžiagas, kad nebūtų pažeistas įdėklas), Paruošti vandens talpyklas atitirpinimui. (atkreipkite dėmesį, kad būtų nuvalyta žemė).
- Taip pat galite naudoti atitinkamą kiekį karšto vandens, kad pagreitimėtė atitirpinimą, o po atitirpinimo nusausinti sausu rankšluosčiu.
- Taip pat galite naudoti tinkamą karšto vandens kiekį, kad pagreitimėtė atitirpinimą, su sausu rankšluosčiu, kad išdžiūtų vandenį po atitirpinimo.
- Po atitirpinimo sudėkite maisto produktus atgal į spintelę ir įjunkite šaldytuvą.

## Nustokite naudoti

### Matinimo klaida:

Nutrūkus elektros tiekimui, net ir vasarą, maisto produktai prietaiso viduje gali būti laikomi kelias valandas; nutrūkus elektros energijos tiekimui, nedarinėkite durų ir į prietaisą nebedėkite daugiau šviežių maisto produktų.

### Ilgas prietaiso nenaudojimas:

Prietaisas turi būti atjungtas nuo elektros tinklo ir išvalytas; tada durys paliekamos atidarytos, kad būtų išvengta kvapo.

### Transportavimas:

Pertvaras, daržovių laikiklį, šaldymo kameros stalčius ir kt. užklijuokite lipnia juosta ir priveržkite išlyginamąsias kojeles; uždarykite dureles ir užklijuokite jas lipnia juosta. Judant prietaisas neturi būti paguldytas aukštyn kojomis ar horizontaliai arba būti vibruojamas; judėjimo metu pasvirimas turi būti ne didesnis kaip 45°.

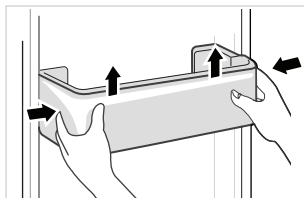
### DĖMESIO

Ijungus prietaisą, jis turi veikti nuolat. Apskritai prietaiso veikimas neturi būti nutrauktas, nes priešingu atveju gali sutrumpėti jo eksploatacavimo laikas.

Sutrikus elektros energijos tiekimui, net vasarą maisto produktus galima išlaikyti kelias valandas; rekomenduojama rečiau atidaryti dureles.

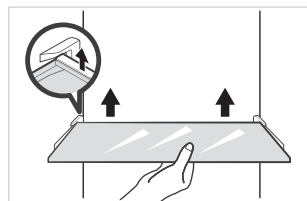
## Durų dėklo valymas

- Pagal toliau pateiktame paveikslėlyje pavaizduotą krypties rodyklę abiem rankomis suspauskite dėklą ir stumkite jį į viršų, tada galėsite jį išimti.
- Išėmę plaunamą padėklą, jo montavimo aukštį galite reguliuoti pagal savo poreikius.



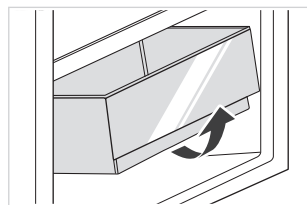
## Stiklinės lentynos valymas

- Kadangi vidinėje šaldytuvo įdėklo dalyje, kurioje yra lentynos, yra atramėlė, turite pakelti lentynas į viršų, tada galėsite jas išimti.
- Reguluokite arba valykite lentynas pagal savo poreikius.



## Daržovių stalčiaus valymas

1. Išimkite stalčiaus turinį. Laikykite daržovių stalčiaus rankeną ir ištraukite jį iki galo, kol jis sustos.
2. Pakelkite daržovių stalčių aukštyn ir išimkite jį ištraukdami.



## ⦿ DĖMESIO

Siūloma naudoti minkštus rankšluosčius arba kempinę, pamirkytą vandenyje ir nekorozinių neutralių ploviklių. Prieš įjungdami maitinimą, atidarykite natūralaus džiovinimo dureles. Nenaudokite kietų šepėčių, švarių plieninių kamuoliukų, vielinių šepėčių, abrazyvų, tokių kaip dantų pastos, organinių tirpiklių (tokių kaip alkoholis, acetonas, bananų aliejus ir kt.), Verdancio vandens, rūgščių ar šarminių daiktų, švarių šaldytuvų, nes tai gali pakenkti šaldytuvo paviršius ir interjeras.

# GEDIMŲ ŠALINIMAS

Vartotojas gali išspręsti šias paprastas problemas. Jei problemos neišspręstos, kreipkitės į garantinio aptarnavimo skyrių.

Problema	Galima priežastis
Nepavyko atlikti operacijos	<ul style="list-style-type: none"><li>• Patikrinkite, ar prietaisas prijungtas prie elektros tinklo, ar kištukas gerai liečiasi su prietaisu.</li></ul>
	<ul style="list-style-type: none"><li>• Patikrinkite, ar įtampa nėra per maža</li></ul>
	<ul style="list-style-type: none"><li>• Patikrinkite, ar nėra elektros energijos tiekimo sutrikimo, ar neišsijungė dalinės grandinės.</li></ul>
Kvapas	<ul style="list-style-type: none"><li>• Alytaus maisto produktai turi būti sandariai suvynioti</li></ul>
	<ul style="list-style-type: none"><li>• Patikrinkite, ar nėra sugedusio maisto</li></ul>
	<ul style="list-style-type: none"><li>• Išvalykite šaldytuvo vidų</li></ul>
Ilgalaikis kompresoriaus veikimas	<ul style="list-style-type: none"><li>• Ilgas šaldytuvo veikimas vasarą yra normalus.</li></ul>
	<ul style="list-style-type: none"><li>• kai aplinkos temperatūra yra aukšta Nepatartina vienu metu į prietaisą dėti per daug maisto.</li></ul>
	<ul style="list-style-type: none"><li>• Maistas prieš dedant į prietaisą turi atvėsti.</li></ul>
	<ul style="list-style-type: none"><li>• Durys atidaromos per dažnai</li></ul>
Šviesos nepavyksta uždegti	<ul style="list-style-type: none"><li>• Patikrinkite, ar šaldytuvą prijungtas prie maitinimo šaltinio ir ar šviečianti lemputė nepažeista.</li></ul>
	<ul style="list-style-type: none"><li>• Pasikvieskite specialistą pakeisti lemputę</li></ul>
Durys negali būti tinkamai uždarytos	<ul style="list-style-type: none"><li>• Durys užstrigo dėl maisto pakuočių. Dedama per daug maisto.</li></ul>
	<ul style="list-style-type: none"><li>• Šaldytuvą yra pasviręs.</li></ul>
Garsus triukšmas	<ul style="list-style-type: none"><li>• Patikrinkite, ar grindys lygios ir ar šaldytuvą stovi stabiliai.</li></ul>
	<ul style="list-style-type: none"><li>• Patikrinkite, ar priedai yra tinkamose vietose.</li></ul>

Problema	Galima priežastis
Durų tarpiklis nėra sandarus	<ul style="list-style-type: none"> <li>Pašalinkite ant durų sandariklio esančius pašalinius daiktus</li> <li>Įkaitinkite durų sandariklį ir atvėsinkite jį, kad galėtumėte atkurti (arba išpūskite jį elektriniu džiovintuvu, arba kaitinkite karštu rankšluosčiu).</li> </ul>
Vandens surinkimo indas perpildytas	<ul style="list-style-type: none"> <li>Kameroje yra per daug maisto arba laikomame maiste yra per daug vandens, todėl jis sunkiai atitirpsta.</li> <li>Durys nėra tinkamai uždarytos, todėl dėl oro patekimo į vidų susidaro šerkšnas, o dėl atitirpimo padidėja vandens kiekis.</li> </ul>
Karštas būstas	<ul style="list-style-type: none"> <li>Įmontuotas kondensatorius šilumą išsklaido per korpusą, tai normalu. Užtikrinkite garsų vėdinimą, kad padėtumėte išsklaidyti šilumą, kai korpusas įkaista dėl aukštos aplinkos temperatūros, per didelio maisto produktų kiekio laikymo arba kompresoriaus išjungimo.</li> </ul>
Paviršiaus kondensatas	<ul style="list-style-type: none"> <li>Kondensacija ant šaldytuvo išorinio paviršiaus ir durelių sandariklių yra normali, kai aplinkos drėgmė yra per didelė. Tiesiog nuvalykite kondensatą švari rankšluosčiu.</li> </ul>
Nenormalus triukšmas	<ul style="list-style-type: none"> <li>Buzz: Eksploatacijos metu kompresorius gali kelti garsą, ypač įjungiant ar išjungiant. Tai normalu.</li> <li>Creak: Į prietaiso vidų tekantis šaltnešis gali sukelti gurgždėjimą, o tai yra normalu.</li> </ul>

# DOKUMENTAI IR SERTIFIKATAI

## Atitikties Deklaracija

Patvirtiname, kad šie klientų modelių pavadinimai ir Midea modelių pavadinimai atitinka vienas kitą.

Prekės ženklas	"Midea" Modelis	Rinkodaros Modelis	Gamyklinis Modelis
Midea	HD-273FN	MDRT294FGE01	CE-BCD210CM-JQ
Midea	HD-273FN	MDRT294FGE50	CE-BCD210CM-JQ
Midea	HD-273FN	MERT210FGE01	CE-BCD210CM-JQ
Midea	HD-273FN	MERT210FGE50	CE-BCD210CM-JQ

Gamintojo pavadinimas: Guangzhou Midea Hualing Refrigerator Co., Ltd.  
Nr. 5 Xinguangsi Kelias, Qianfeng Zhujiang, Nansha  
Rajonas, Guangzhou Miestas, Guangdong Provincija,  
L.R.Kinija

Mes, Guangzhou Midea Hualing Refrigerator Co., Ltd., pareiškiame, kad pirmiau minėti gaminiai atitinka pirmiau minėtas šiuo metu galiojančias taisykles ir standartus.

# PRIEDAS

## Ypatingai skirta naujam Europos standartui

Toliau pateiktoje lentelėje nurodytas užsakytas dalis galima įsigyti iš paslaugų teikėjo kanalo

Užsakyta dalis	Pateikė	Minimalus laikas, reikalingas teikimui
Termostatai	Profesionalios techninės priežiūros darbuotojai	Ne mažiau kaip 7 metai nuo paskutinio modelio, esančio rinkoje, pradžios
Temperatūros jutikliai	Profesionalios techninės priežiūros darbuotojai	Ne mažiau kaip 7 metai nuo paskutinio modelio, esančio rinkoje, pradžios
Spausdintinės plokštės	Profesionalios techninės priežiūros darbuotojai	Ne mažiau kaip 7 metai nuo paskutinio modelio, esančio rinkoje, pradžios
Šviesos šaltiniai	Profesionalios techninės priežiūros darbuotojai	Ne mažiau kaip 7 metai nuo paskutinio modelio, esančio rinkoje, pradžios
Durų rankenos	Profesionalūs remontininkai ir galutiniai vartotojai	Ne mažiau kaip 7 metai nuo paskutinio modelio, esančio rinkoje, pradžios
Durų vyriai	Profesionalūs remontininkai ir galutiniai vartotojai	Ne mažiau kaip 7 metai nuo paskutinio modelio, esančio rinkoje, pradžios
Padėklai	Profesionalūs remontininkai ir galutiniai vartotojai	Ne mažiau kaip 7 metai nuo paskutinio modelio, esančio rinkoje, pradžios
Krepšeliai	Profesionalūs remontininkai ir galutiniai vartotojai	Ne mažiau kaip 7 metai nuo paskutinio modelio, esančio rinkoje, pradžios
Durų tarpinės	Profesionalūs remontininkai ir galutiniai vartotojai	Ne mažiau kaip 10 metai nuo paskutinio modelio, esančio rinkoje, pradžios

## Gerbiamas kliente

1. Jei norite grąžinti ar pakeisti prekę, susisiekite su parduotuve, kurioje perkate. (Nepamirškite atsinešti pirkimo sąskaitos faktūros)
2. Jei jūsų gaminys sugenda, kurį reikia taisyti, susisiekite su garantinio aptarnavimo paslaugų teikėju.

## DĖMESIO

Informaciją apie gaminio duomenų bazėje esantį modelį, taip pat modelio identifikatorių galima gauti per interneto nuorodą, nuskaitytą QR kodu, jei toks yra gaminio energijos vartojimo efektyvumo etiketėje.

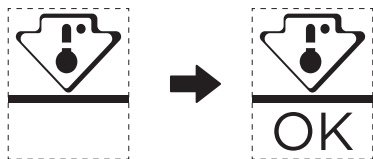
Norėdami gauti daugiau informacijos apie prietaiso energijos vartojimo efektyvumą, apsilankykite svetainėje <https://ec.europa.eu> ir atlikite paiešką pagal modelio pavadinimą.

Modelio pavadinimą rasite prietaiso įvertinimo etiketėje.

## Šalčiausia šaldytuvo zona

### NEBŪTINA: Geros temperatūros indikatorius

- Temperatūros indikatoriumi OK galima nustatyti žemesnę nei +4 °C temperatūrą. Palaipsniui mažinkite temperatūrą, jei ženklas nerodo "OK".



- Norėdami užtikrinti temperatūrą šioje srityje, nekeiskite lentynos padėties. Šaldytuvuose su priverstiniu oru (su ventiliatoriumi arba "No Frost" modeliuose) šalčiausios zonos simbolis nepateikiamas, nes temperatūra viduje yra vienoda.

### Temperatūros indikatorius nustatymas

- Kad šaldytuvą būtų lengviau tinkamai nustatyti, jame įrengtas temperatūros indikatorius, kuris stebės vidutinę temperatūrą šalčiausioje zonoje.
- ĮSPĖJIMAS: Šis indikatorius skirtas naudoti tik su jūsų šaldytuvu, nenaudokite jo kitame šaldytuve (iš tikrųjų šalčiausia zona nėra tokia pati) arba nenaudokite bet kokiam kitam naudojimui.

LT

### Temperatūros tikrinimas šalčiausioje zonoje

- Naudodami temperatūros indikatorių galite reguliariai tikrinti, ar šalčiausios zonos temperatūra yra tinkama. Iš tiesų šaldytuvo vidaus temperatūra priklauso nuo kelių veiksnių, pavyzdžiui, aplinkos temperatūros patalpoje, laikomų maisto produktų kiekio ir durų atidarymo dažnumo. Atsižvelkite į šiuos veiksnius nustatydami prietaisą.
- Kai indikatorius rodo "OK", tai reiškia, kad termostatas gerai sureguliuotas ir vidaus temperatūra yra tinkama.
- Jei temperatūros indikatorius tampa BALTAS, tai reiškia, kad temperatūra yra per aukšta; tokiu atveju padidinkite šaldytuvo temperatūros reguliavimo nustatymą ir palaukite 12 valandų prieš atlikdami naują vizualinį indikatorius patikrinimą. Įdėjus šviežią maistą arba palikus duris atidarytas, temperatūros indikatorius po kurio laiko gali tapti BALTAS.











*make yourself at home*



[www.midea.com](http://www.midea.com)

© Midea 2022 all rights reserved