

ENG



Disponibile su www.barni.it/Manuali



32" QLED TV

USER GUIDE

ND32S306QS QLED

NORDMENDE

Before operating the TV, please read the manual completely, and retain this manual for the future reference.

Table of Contents

Safety warning	1
Important Safety Instructions	2
Preparation for Your New TV	3
Check Accessories	3
Stand Installation Guide	3
Wall mount specification	4
TV Jacks Explanation	5
External Device Connection Diagram	6
Side Keypad and Front Panel	7
Keypad Buttons	7
Front Panel	7
Remote Control Instructions	8
Inserting Batteries in the Remote	8
Remote Control Reception Angle	8
Learning about Remote Control	9
Remote Control Buttons	9
Basic Operations	10
Turning On and Off	10
Select input source	10
Adjust the OSD Screen	10
OSD Menu Operations	11
Menu Setting	11
Smart TV Operation	12
Media Operation	12
Troubleshooting	13
Identifying Problems	13
RADIO FREQUENCY	14
Specification	15

** The pictures, functions and other information provided in the manual are for reference only. If it does not match the actual object, please refer to the actual product.*

Safety warning



CAUTION

**RISK OF ELECTRIC SHOCK
DO NOT OPEN**



Caution: To reduce the risk of electric shock, do not remove cover or back. No user-serviceable parts inside. Refer servicing to qualified service personnel.



The lightning flash with arrowhead symbol, within an equilateral triangle is intended to alert the user to the presence of uninsulated dangerous voltage within the product enclosure that may be of sufficient magnitude to constitute a risk of electric shock.



The exclamation point within an equilateral triangle is intended to alert the user to the presence of important operating and maintenance (servicing) instructions in the literature accompanying the TV.

WARNING: TO REDUCE THE RISK OF FIRE OR ELECTRIC SHOCK, DO NOT EXPOSE THIS APPLIANCE TO RAIN OR MOISTURE.

CAUTION: CHANGES OR MODIFICATIONS NOT EXPRESSLY APPROVED BY THE PARTY RESPONSIBLE FOR COMPLIANCE WITH THE FCC RULES COULD AVOID THE USERS AUTHORITY TO OPERATE THIS EQUIPMENT.

Safety Warning

Before operating the unit, please read through this manual.

PLACEMENT

- Do not place the unit on an unstable cart, stand, tripod, bracket, table, or shelf.
- Do not expose the unit to direct sunlight and other sources of heat.
- Do not handle liquids near or on the unit.
- Never spill liquid of any kind into the unit
- Do not put the unit near appliances that create magnetic fields.
- Do not put heavy objects on top of the unit.

TEMPERATURE

- Do not place the unit near or over a radiator or a heater register.
- If your unit is suddenly moved from a cold to a warm place, unplug the power cord for at least two hours so that moisture that may have formed inside the unit can dry completely.

HUMIDITY

- Do not expose machine in rain, damp or place near water.
- Ensure the indoor drying, cool.

VENTILATION

- Keep the ventilation openings clear.

WARNING(Only applicable to models over 7kg)

Never place a television set in an unstable location. A television set may fall, causing serious personal injury or death. Many injuries, particularly to children, can be avoided by taking simple precautions such as:

- Using cabinets or stands recommended by the manufacturer of the television set.
 - Only using furniture that can safely support the television set.
 - Ensuring the television set is not overhanging the edge of the supporting furniture.
 - Not placing the television set on tall furniture (for example, cupboards or bookcases) without anchoring both the furniture and the television set to a suitable support.
 - Not placing the television set on cloth or other materials that may be located between the television set and supporting furniture.
 - Educating children about the dangers of climbing on furniture to reach the television set or its controls.
- If your existing television set is being retained and relocated, the same considerations as above should be applied.

Important Safety Instructions

1. Read these instructions.
2. Keep these instructions.
3. Heed all warnings.
4. Follow all instructions.
5. Do not use this apparatus near water. For example, do not use near a laundry tub, in a wet basement, or near a swimming pool, and the like.
6. Clean only with dry cloth.
7. Do not block any ventilation openings. Install in accordance with the manufacturer's instructions. Slots and openings in the cabinet back or bottom are provided for ventilation, to ensure reliable operation of the TV and to protect it from overheating. These openings must not be blocked or covered. The openings should never be blocked by placing the TV on a bed, sofa, rug, or other similar surface.
8. Do not install near any heat sources such as radiators, heat registers, stoves, or other apparatus (including amplifiers) that produce heat.
9. Do not defeat the safety purpose of the polarized or grounding-type plug. A polarized plug has two blades with one wider than the other. A grounding-type plug has two blades and a third grounding prong. The wide blade or the third prong is provided for your safety. If the provided plug does not fit into your outlet, consult an electrician for replacement of the obsolete outlet.
10. Protect the power cord from being walked on or pinched particularly at plugs, convenience receptacles, and the point where they exit from the apparatus.
11. Only use attachments/accessories specified by the manufacturer.
12. Use only with cart, stand, tripod, bracket, or table specified by the manufacturer, or sold with the apparatus. When a cart is used, use caution when moving the cart/apparatus combination to avoid injury from tip-over. A TV and cart combination should be moved with care. Quick stops, excessive force, and uneven surfaces may cause the TV and cart combination to overturn.
13. Unplug this apparatus during lightning storms or when unused for long periods of time. For added protection for this TV receiver during a lightning storm, or when it is left unused for long periods of time, unplug it from the wall outlet and disconnect antenna or cable system. This will prevent damage to the TV due to lightning and power line surges.
14. Refer all servicing to qualified service personnel. Servicing is required when the apparatus has been damaged in any way, such as power-supply cord or plug is damaged, liquid has been spilled or objects have fallen into the apparatus, the apparatus has been exposed to rain or moisture, does not operate normally, or has been dropped.
15. This TV should be operated only from the type of power supply indicated on the rating label. If customer is not sure the type of power supply in your home, consult your appliance dealer or local power company. For TV remote control battery power, refer to the operating instructions.
16. The TV set shall not be exposed to dripping or splashing. No objects filled with liquids, such as vases, shall be placed on the TV set.
17. Never push objects of any kind into this TV through openings as they may touch dangerous voltage or other electrical parts that could result in fire or electric shock. Never spill liquid of any kind into the TV.
18. Unplug the TV from the wall outlet before cleaning. Do not use liquid or aero cleaners. Use a damp cloth for cleaning.
19. This TV should never be placed near or over a radiator or heat resource. This TV should not be placed in a built-in installation such as a bookcase or rack unless proper ventilation is provided or the manufacturer's instructions have been adhered to.
20. Do not place this TV on an unstable cart, stand, tripod, bracket, or table. The TV may fall, causing serious injury to someone, and serious damage to the appliance.
21. Do not attempt to service this TV by yourself because opening or removing covers may expose you to dangerous high voltage or other hazards. Refer all servicing to qualified service personnel.
22. Please do the static electricity prevention and panel protect measures before overhaul, avert damage the panel and main board sensitive element, ex. IC etc.
23. **WARNING:** To prevent injury, this apparatus must be securely attached to the floor/wall in accordance with the installation instructions.



Preparation for Your New TV

Check Accessories

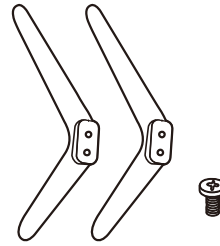
Check the accessories that are packed with your TV.



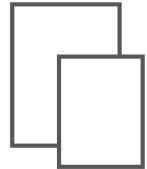
LED TV



Remote Control



TV Stand Base
+
4 x Screws

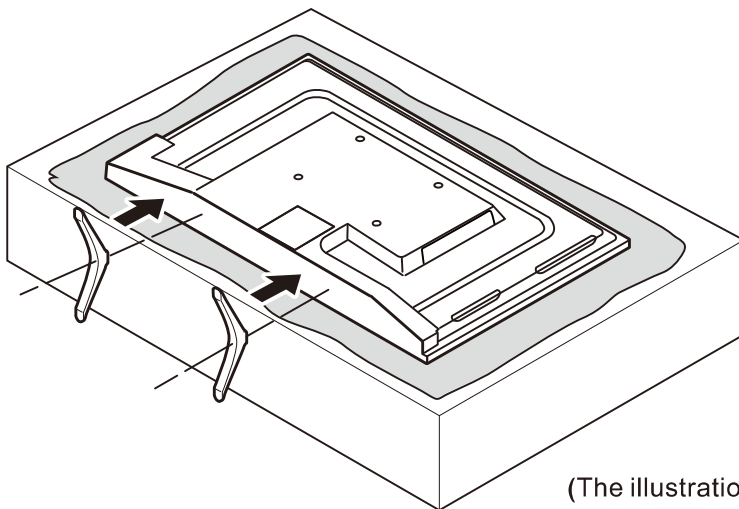


User's manual
+
Warranty Card

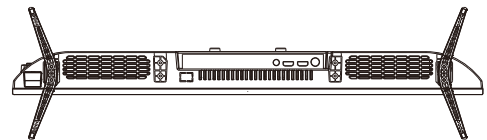
Stand Installation Guide

The TV is packaged with the TV stand separated from the cabinet. To setup the TV table stand, please carry out the installation according to the instructions below.

1. The panel can be scratched easily, so please:
Place a soft cloth on the table and place the TV face down on the cloth.
Note: Always unplug the AC cord first when installing/removing the stand.
2. Take the base. Please align the screw holes of the base and the TV, and then insert the screws into the holes on the base and tighten them.
Note: To ensure that the TV is stable, please lock all screws.



Please take note of the base direction:



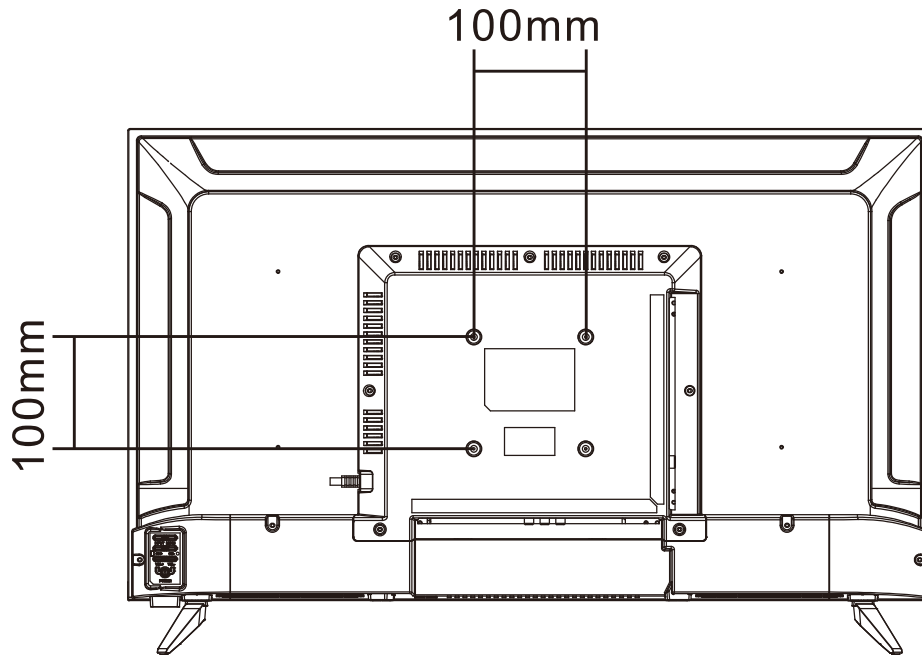
The bottom view of the TV
(Front cabinet faces down)

(The illustration is for reference only, Please prevail in kind)

Wall Mounting(if available)

Unit Dimension (unit:mm)	Screws
VESA 100 x 100	M4x6mm, 4pcs

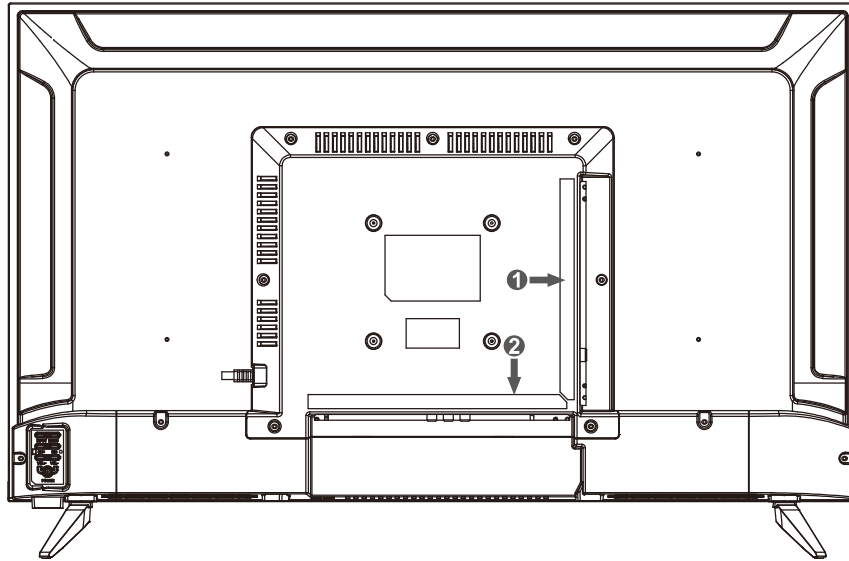
Note: The length of the screw specified is only a recommendation; actual length required can vary depending on the type of wall mount used.



Warnings:

1. Do not set up the wall mount by yourself. Please contact qualified professionals for installation.
2. The TV should not be mounted on walls or surfaces which have an angle more than 10 degrees with vertical direction. Otherwise the TV set may fall.
3. The walls for mounting must have enough strength to hold the whole weight of TV set. For example, concrete wall and brickwork are eligible. Do not place the mount on soft walls such as earth walls and plasterboard.
4. If spare parts of different specifications (such as screws) are used during mounting, consult with qualified professionals to make sure these parts are safe and effective.
5. Before attaching the base to wall, ensure the holes for anchors are in keeping with the installing rules. Otherwise there may exist some potential problems.
6. Do not place any heating source under your television. Or else, it can cause fire.
7. Do not place the TV near anything dripping. Transducers and high voltage wires should be kept far away from the apparatus too. Or else, it may cause creepage, electric shock or bad resonance.
8. Do not place TV in a location where collision or vibration is liable to happen.
9. In order to avoid unexpected falling of the TV set, do not put any strong force on TV or wall mount after installing.
10. Be sure to unplug the TV before installing. Keep anything hard or sharp away from the screen panel to prevent the scuffing.
11. After installing, if there is any need to move the cabinet, please contact the qualified professionals.

TV Jacks Explanation



①	HDMI3	HDMI2	HDMI1/ARC	USB2 USB1	CI	Earphone	
②	RJ45	Optical	CVBS	L	R	RF(S2)	RF(T2)

HDMI: (High-Definition Multimedia Interface) Provides an uncompressed digital connection.

USB: Connect the USB device such as the flash disk to access the TV media function.

CI: CI card reader.

EARPHONE: Connect a 3.5mm headset for personal audio.

RJ45: Connect the internet.

OPTICAL: Digital TV sound output.

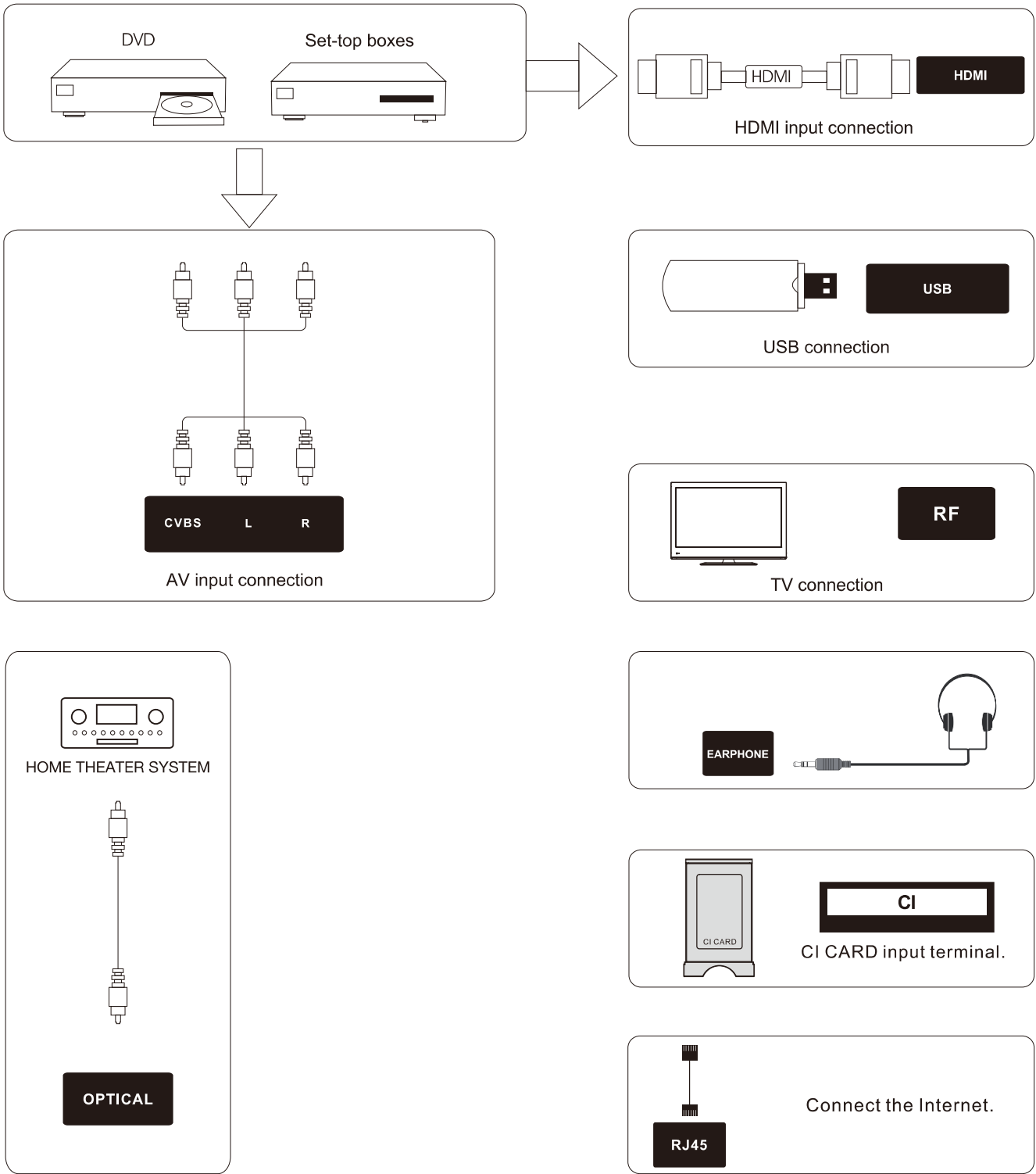
CVBS: Connect an AV device that has composite video jacks, such as a VCR or DVD player.

L: Left audio channel connection. The left audio connector is usually white.

R: Right audio channel connection. The right audio connector is usually red.

RF: Connect to receive the signal from your antenna or cable through a coaxial cable.

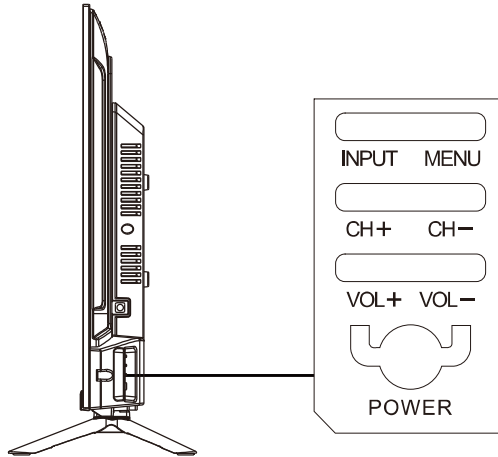
External Device Connection Diagram



Side Keypad and Front Panel

Keypad Buttons

If you cannot locate your remote, you can use the side keypad buttons on your TV to operate many TV features.



INPUT: Displays the Source Select List.

MENU: Displays the TV Main Menu.

CH+: Scans up through the channel list. In the TV menu system, it acts like the up arrow on the remote control and can be used to select menu options.

CH-: Scans down through the channel list. In the TV menu system, it acts like the down arrow on the remote control and can be used to select menu options.

VOL+: Increases the volume. In the TV menu system, it acts like the right arrow on the remote control and can be used to select menu options.

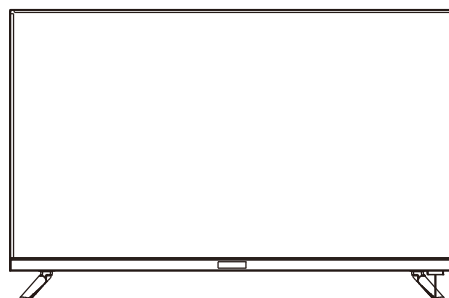
VOL-: Decreases the volume. In the TV menu system, it acts like the left arrow on the remote control and can be used to select menu options.

POWER: Turns the TV on and off.

Front Panel

Power/Standby Indicator: The LED shows white color in standby and does not show any color when the TV is turned on.

Remote Control Sensor: Remote control IR sensor, which receives infrared ray sent by remote control.



Remote Control Sensor
Power/Standby Indicator

NOTE: If there is a protective film around the screen, remove the protective film before using the TV.

Remote Control Instructions

Inserting Batteries in the Remote

1. Remove the battery compartment cover from the back of the remote control by lifting the cover.
2. Insert 2AAA batteries ,making sure the polarities(+and-) are aligned correctly.
3. Replace the cover.

If the remote control does not work, check these points:

- Are the polarities (+, -) correct?
- Are the batteries worn out?
- Is there an AC power failure?
- Is the power cord plugged in?
- Is there any interference or block near the remote control sensor?

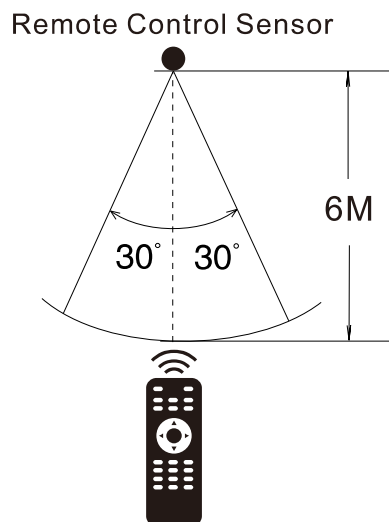
CAUTION:

- Used batteries should be recycled.
- Keep out of children's reach.
- DO NOT use new and old batteries together.
- Change both the batteries at the same time.
- When not using the remote control for a long time, remove the batteries from the unit.

Warning: All batteries (packed or in use) must not be exposed to high temperature like sun heat or fire.

Remote Control Reception Angle

Use your remote control within the distance and angle range shown below.



Learning about Remote Control

Remote Control Buttons



POWER(⏻): Turns the TV on or off.

INPUT: To select input source menu.

NUMBER BUTTONS: Press 0-9 select a TV channel directly when you are watching TV.

GUIDE: Press to open the electronic programme guide.

CH.LIST: Channel List.

RED/GREEN/YELLOW/BLUE: Use add-on functions in OSD menu.

MENU(☰): Press Menu to display User options.

(⏮): Press to play or pause media files.

Arrows(←/→/↑/↓): Uses the four arrows to highlight different items in the TV menu or change the value.

*SEARCH: Enter what you want to search.
(Press Arrows ↓ button to enter the Search mode.)

OK: Enter and confirm button.

(↶): Returns to the previous channel.

EXIT: Exits the current menu or function.

VOL+ or VOL-: Increases or decreases the TV volume.

CH^ or CHv :Scans up or down through the current channel list.

HOME(🏠): Press to open home page.

MUTE(🔇): Reduces the TV volume to its minimum level. Press again to restore the volume.

TEXT: To enter Teletext mode.

SUBTITLE: Press to enable or disable subtitles.

INFO: To display information.

free: Enter VIDAA app.

EDIT: Custom shortcut keys, you can select the source or application to set up a quick entry.

deezer: Access the deezer interface.

NETFLIX: Access the Netflix interface.

Prime Video: Access the Prime Video interface.

YouTube: Access the YouTube interface.

plex: Connects to PLEX.

BROWSER: To open browser.


Disney+: Access the Disney+ interface.

NOTE:

- ◆ All pictures in this manual are examples, only for reference, actual product may differ from the pictures.
- ◆ The buttons not mentioned here are not used.

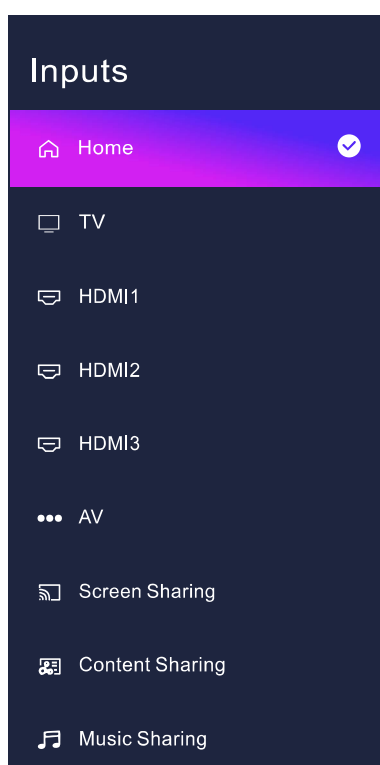
Basic Operations

Turning On and Off

Connect the AC cord to power the TV. At this time the TV will enter standby mode and power indicator will turn white. Use Power button() on the TV or on the remote control to turn on the TV.


After switching off the TV for 5 seconds, you can turn on TV again.

Select input source



Press **INPUT** button to display the input source list;
Press **▲/▼** button to select the input source you want to watch;
Press **OK** button to enter the input source;

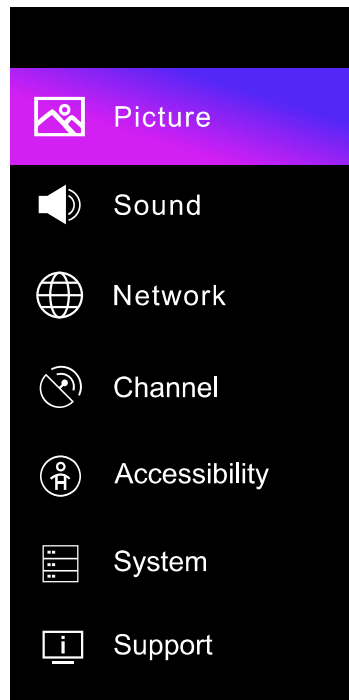
Adjust the OSD Screen

- Press **MENU** button to display the MAIN OSD MENU;
- Press **▲/▼** button to select the Settings menu;
- Press **OK** button to enter the sub menu, and press() button to return back to the previous menu.
- Press **▲/▼** button to select the option and then press **OK** button to enter the submenu, press **◀/▶** button to adjust the value or press **▲/▼** button to select in the sub-menu;

You can press **EXIT** button to exit the entire menu.

OSD Menu Operations

Menu Setting



Press the MENU button to select “Setting” in this menu to enter the main menu.

Picture: Used for TV picture effect adjusting.
For example: Picture mode, Aspect Ratio and so on.

Sound: Used for TV sound effect adjusting.
For example: Sound mode, Speakers and so on.

Network: Used for TV Network settings.
For example: Network Configuration, Internet Connection and so on.

Channel: Used for channel searching and edit.
You can choose to automatically search, or choose to manually search according to your needs. Used for channel searching and edit, it's only available in TV input.

Accessibility: Used for Accessibility adjusting.
For example: Audio Type, Subtitle Settings and so on.

System: Used for TV system settings.
For example: Timer Settings, Language and so on.
You can create and change passwords in System PIN.

Support : Used for TV Support Menu settings.
For example: System Upgrade, Restore To Factory Default and so on.

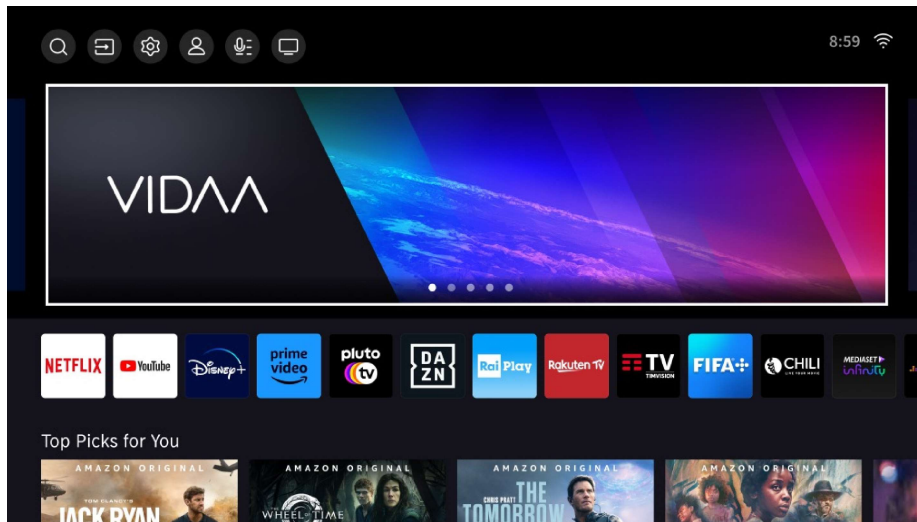
For more settings, please refer to the menu settings.

OSD Menu Operations

Smart TV Operation

Press **HOME** button on the remote control to enter the Main Launcher.

Press the arrow buttons **▲/▼/◀/▶** to select the icon and press **OK** button to enter the sub-menu to perform the operation you want.

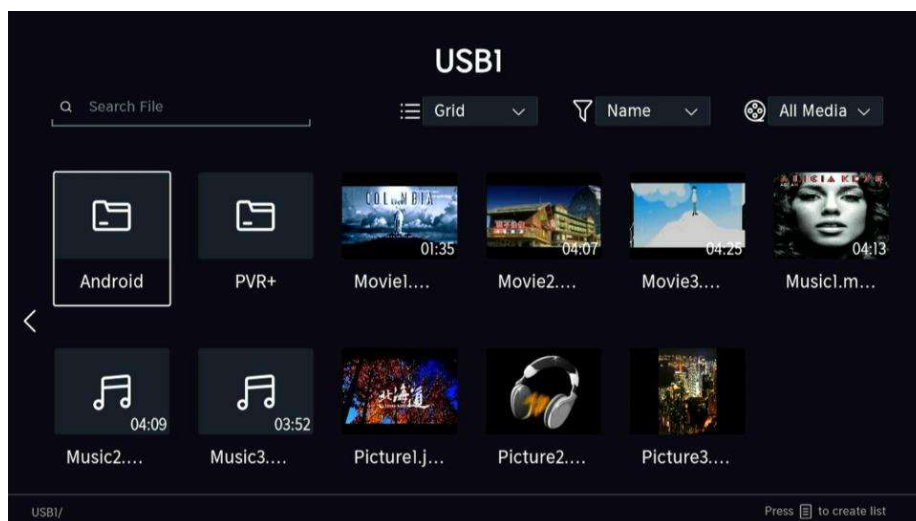


Media Operation

Note: Before operation MEDIA menu, Plug in USB device or memory card.

After inserting the USB device, press the "INPUT" button and press **▲/▼** to select the USB source, then press the "OK" button to enter.

Press Menu button to display the setting options on the left side.



1. Press **◀/▶/▲/▼** button to select the option that you want to adjust in the Media menu, then press **OK** button to enter.
2. Press **◀/▶** button to adjust or press **▲/▼** button to select.
3. After finishing your adjustment, press(**↶**) button to save and return back to the previous menu and press **EXIT** button to exit the entire menu.

Troubleshooting

Identifying Problems

If there are any problems when using the product, please consult the list below. If the list does not solve the problem, call our Customer Service Center immediately.

TV Problems

The TV can't be turned on.

- Make sure the AC cord is plugged in.
- Check the wall outlet, make sure the AC output works normally and stably.
- Select the Key Lock function in the OPTION Menu and press OK to uncheck the locking status.

No picture or sound but the TV is on and there is a "No Signal" sign on screen.

- Are you trying to use an input source with no device connected to it? For using other video/audio device, make sure the external device works normally first, then press Source and choose the right input source.
- The signal type option may be set incorrectly.
- The channel may be blank. Try to search the channel again or change another channel.

The sound is fine, but the picture is poor.

- If you can only get black and white pictures from external device that you've connected to your TV, maybe it is due to the video cables is not connected well, or they are connected wrongly. Check the connection stability first, then check the correctness.
- For AV input, the yellow video cable connects to the yellow Video In jack on the side of your TV. For Component input, the three Y, Pb, Pr video cables (red, blue, and green) should be connect to the corresponding input jacks on the side of your TV.
- Check the antenna connections. Make sure all of the cables are firmly connected to the TV jack on side of your TV.
- Try adjusting the color features to improve.

There is no sound, but the picture is fine.

- The sound might be muted. Try pressing the MUTE button to restore sound.
- For using AV or Component, remember to connect the device's left and right audio output correctly. The left channel cable is white and the right channel cable is red. Please match the cables and jacks according to their colors.
- The sound settings may not be set correctly.
- If your audio source has only one jack or is a (mono) audio source, make sure you have plugged the connection into the Audio In L jack (white) on the TV.

The buttons on the side panel don't work.

- Unplug the TV from the AC power for 10 minutes and then plug it back. Turn the TV on and try again.

The TV turns off unexpectedly.

- The electronic protection circuit may have been activated because of a power surge. Wait 30 seconds and then turn the TV on again. If this happens frequently, the voltage in your house may be abnormal. If the other electronic equipment in your home can't work normally, consult a qualified service personnel.

The Remote control doesn't work.

- Something might be blocking between the remote control and the remote sensor on the front panel of the TV. Make sure there is a clear path.
- The remote may not be aimed directly at the TV.
- The batteries in the remote may be weak, dead, or installed incorrectly. Put new batteries in the remote.

RADIO FREQUENCY

ATV	Reception Range	48.25MHz ~ 863.25MHz
	Input impedance	75Ω
	Video System	PAL/SECAM
	Sound System	BG, DK, I, NICAM/A2
	Max Storage Channels	100 CH
DVB-T/C/T2 /S/S2	Reception frequencies	VHF(117.5MHZ-226.5MHZ)
		UHF(474MHZ-858MHZ)
	Input Impedance	75 Ω
	Channel Bandwidth	7MHZ/8MHZ
	Modulation DVB-T	COFDM 2K/8K QPSK, 16QAM, 64QAM
	Modulation DVB-T2	QPSK, 16QAM, 64QAM, 256QAM
	Modulation DVB-S/S2	QPSK, 8PSK, 16APSK
	Modulation DVB-C	16QAM, 32QAM, 64QAM, 128QAM, 256QAM
	Video System	MPEG-2, MPEG-4, H.264, H.265, AVS
	Sound System	MPEG-1 layer 1/2, MPEG-2 layer 2, DRA
	Basic Functions	EPG, Subtitle
	Common Interface	Built-In
	Max Storage Channels	1000CH(DVB-T+DVB-C, Dynamic) 5000CH(DVB-S/S2, dynamic)
WIFI	IEEE 802.11b/g/n 2.4GHz 300Mbps	
	Transmission power 16.52dBm	

Product Specifications

Model:	ND32S306QS QLED
Video:	avi , MPEG
Music:	mp3
Photo:	jpg , jpeg, bmp, png
Screen resolution:	1366 x 768
Working voltage:	AC 100-240V ~ 50/60Hz
Rated power consumption:	55W
Panel native refresh rate :	60Hz
Software version:	

ITA



Disponibile su www.barni.it/Manuali



32" QLED TV

USER GUIDE

ND32S306QS QLED

NORDMENDE

Prima di utilizzare il televisore, leggere per intero il manuale e conservarlo per consultazioni future.

Indice

Avvertenze	01
Istruzioni importanti per la sicurezza	02
Preparazione per il Vostro Nuovo TV	03
Controllare gli Accessori	03
Guida all'Installazione del Supporto	03
Supporto per parete (se disponibile)	04
Spiegazione Jacks TV	05
Schema di Collegamento del Dispositivo Esterno	06
Tastiera laterale e pannello frontale	07
Pulsanti del tastierino Laterale	07
Pannello Frontale.....	07
Istruzioni Telecomando	08
Inserire le batterie nel telecomando	08
Angolo di ricezione del telecomando	08
Imparare a conoscere il Telecomando	09
Bottoni Telecomando	09
Operazioni di Base	11
Accensione e spegnimento.....	11
Selezionare la sorgente di ingresso	11
Regolare la Schermata OSD	11
Operazioni del Menu di OSD	12
Impostazione del Menu	12
Operazione di Smart TV	13
Operazione Multimediale.....	13
Risoluzione dei problemi	14
Identificazione dei problemi.....	14
RADIO FREQUENZE	15
SPECIFICHE	16

** Le immagini, le funzioni e le altre informazioni fornite nel manuale sono solo di riferimento. Se non corrisponde all'oggetto reale, fare riferimento al prodotto reale.*

Avvertenze



CAUTION

RISK OF ELECTRIC SHOCK
DO NOT OPEN



Attenzione: Per ridurre il rischio di scosse elettriche, non rimuovere la copertura o la parte posteriore. All'interno non sono presenti parti riparabili dall'utente. Per la manutenzione rivolgersi a personale qualificato.



Il simbolo di un fulmine appuntito all'interno di un triangolo equilatero avverte l'utente della presenza di tensioni pericolose non isolate all'interno del contenitore del prodotto che potrebbero avere un'intensità sufficiente per costituire un pericolo di folgorazione per le persone.



Il simbolo del punto di esclamazione all'interno di un triangolo equilatero avverte l'utente della presenza di importanti istruzioni d'uso e di manutenzione nella documentazione che accompagna la TV.

AVVERTENZE: PER RIDURRE IL RISCHIO DI INCENDIO O DI FOLGORAZIONE, NON ESPORRE IL DISPOSITIVO A PIOGGIA O UMIDITA'.

ATTENZIONE: CAMBIAMENTI O MODIFICHE NON ESPRESSAMENTE APPROVATI DAL RESPONSABILE DELLA CONFORMITA' DELLE NORME FCC POSSONO INVALIDARE IL DIRITTO DELL'UTENTE DI UTILIZZARE QUEST'APPARECCHIATURA.



per evitare possibili danni all'udito, limitare il tempo di ascolto a volumi elevati.

- Questo apparecchio fabbricato nella CEE nel rispetto delle disposizioni del D.M. marzo 1992 ed in particolare conforme alle prescrizioni dell'art. 1 dello stesso D.M.
- non esporre le batterie a calore eccessivo, alla luce del sole, fuoco o simili
- lasciare sufficiente spazio tra il prodotto e le pareti per garantire una sufficiente ventilazione
- non posizionare sul prodotto nessuna sorgente di fiamma nuda, come candele accese

Avvertenza per la Sicurezza

Prima di utilizzare questa unità, si prega di leggere il presente manuale.

POSIZIONAMENTO

- Non collocare quest' unità su un instabile carrello, supporto, treppiede, staffa, tavolo o ripiano.
- Non esporre quest' unità alla luce solare diretta e ad altre fonti di calore.
- Non maneggiare i liquidi vicini o su quest' unità.
- Non versare mai i liquidi di alcun tipo in quest' unità.
- Non mettere quest' unità vicina ai dispositivi che creano i campi magnetici.
- Non mettere i oggetti pesanti sopra quest' unità.

TEMPERATURA

- Non posizionare quest' unità vicina o sopra un radiatore o un registro del riscaldatore.
- Se quest' unità viene spostata improvvisamente da un luogo freddo a uno luogo caldo, si prega scollegare il cavo di alimentazione per almeno due ore in modo che l'umidità che si è formata all'interno di quest' unità possa asciugarsi completamente.

UMIDITÀ

- Non esporre quest' unità in pioggia, in umidità o vicina all'acqua.
- Garantire l'asciugatura al coperto e fresco.

VENTILAZIONE

- Tenere le aperture di ventilazione pulite.

AVVERTENZA (applicabile solo ai modelli di peso superiore a 7 kg)

Non posizionare mai un set di TV in una posizione instabile. Il set di TV potrebbe cadere causando i gravi lesioni personali o la morte. Molte lesioni, in particolare per i bambini, possono essere evitate prendendo semplici precauzioni come:

- Usare gli armadi o supporti consigliati dal produttore del set di TV.
- Solo usare i mobili che possono tranquillamente supportare il set di TV.
- Assicurarci che il set di TV non sia a strapiombo sul bordo dei mobili di supporto.
- Non posizionare il set di TV su mobili alti (ad esempio, armadi o librerie) senza ancorare sia il mobile che il set di TV a un supporto adeguato.
- Non posizionare il set di TV su tessuti o su altri materiali che possono essere posizionati tra il set di TV e i mobili di supporto.
- Educare i bambini sui pericoli dell'arrampicata sui mobili per raggiungere il set di TV o i suoi comandi.

Se il tuo set di TV esistente viene conservato e riposizionato, devono essere applicate le stesse considerazioni di cui sopra.

Istruzioni importanti per la sicurezza

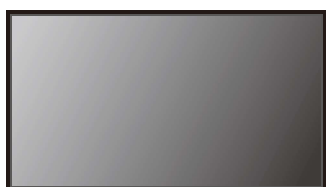
1. Leggere le istruzioni.
2. Conservare queste istruzioni.
3. Prestare attenzione a tutte le avvertenze.
4. Seguire tutte le istruzioni.
5. Non utilizzare questo apparato in prossimità di acqua. Per esempio, non utilizzarlo in prossimità di un lavabo, in un seminterrato umido, in prossimità di una piscina o luoghi simili.
6. Usare esclusivamente un panno asciutto per pulire.
7. Non bloccare nessuna apertura per la ventilazione. Installare rispettando le istruzioni del costruttore. Sul lato posteriore o inferiore del mobile sono presenti fessure e aperture per la ventilazione, per assicurare un funzionamento affidabile della TV e per proteggere la stessa dal surriscaldamento che non devono essere bloccate o coperte. Le aperture non devono essere mai essere bloccate appoggiando la TV su un letto, un divano, un tappeto o su altre superfici simili.
8. Non installare in prossimità di fonti di calore come radiatori, stufe, caloriferi o alter apparecchiature che producono calore, compresi gli amplificatori.
9. Non modificare la spina polarizzata o con messa a terra, alterando così il suo scopo di sicurezza. La spina polarizzata ha due lame, di cui una più larga dell'altra. La spina con messa a terra, invece, ha due lame e un terzo polo di messa a terra. La lama larga e il terzo polo sono forniti a scopo di sicurezza. Se la spina fornita non si inserisce correttamente nella presa, contattare un tecnico elettricista per far sostituire la presa obsoleta.
10. Proteggere il cavo di alimentazione in modo che non venga calpestato o schiacciato, specialmente in prossimità delle prese, delle prese multiple e dei punti di uscita dell'apparecchiatura.
11. Usare esclusivamente accessori/estensioni specificati dal costruttore.
12. Usare solo con carrello, supporto, cavalletto, sostegno o tavola specificate dal produttore o acquistati con l'apparecchio. Quando si usa un carrello, prestare attenzione quando si sposta la combinazione carrello / apparecchio per evitare lesioni da ribaltamento. La combinazione di TV e carrello deve essere spostata con cura. Arresti improvvisi, forza eccessiva e superfici irregolari possono causare il ribaltamento della combinazione TV e carrello.
13. Scollegare l'apparecchio durante temporali o se non viene utilizzato per lunghi periodi di tempo. Per un'ulteriore protezione di questo ricevitore durante un temporale, o quando non viene utilizzato per lunghi periodi di tempo, scollegarlo dalla presa a muro e scollegare l'antenna o il sistema via cavo. Questo consentirà di evitare danni al televisore a causa di fulmini e sbalzi di tensione.
14. Per l'assistenza rivolgersi a personale qualificato. La riparazione è necessaria quando l'apparecchio è stato danneggiato in qualsiasi modo, come cavo di alimentazione o presa danneggiata, del liquido versato o oggetti caduti all'interno, l'apparato è stato esposto a pioggia o umidità, non funziona normalmente, o se è caduto.
15. Questo televisore deve essere utilizzato solo con il tipo di alimentazione indicato sulla targhetta. Se il cliente ha un tipo di alimentazione elettrica diversa in casa, consultare il rivenditore o l'azienda elettrica locale. Per il telecomando del televisore la carica della batteria, fare riferimento alle istruzioni per l'uso.
16. Il prodotto non deve essere esposto a gocce o schizzi d'acqua. Oggetti contenenti liquidi, ad esempio
17. Non inserire mai oggetti di alcun tipo all'interno del televisore attraverso le aperture, poiché potrebbero toccare tensioni pericolose o ad altri componenti elettrici che potrebbero provocare incendi o scosse elettriche. Non versare liquidi di alcun tipo nel televisore.
18. Scollegare il televisore dalla presa a muro prima di pulirlo. Non usare detergenti liquidi o aerei. Usa un panno umido per pulire.
19. Questo televisore non deve mai essere collocato vicino o sopra un radiatore o fonte di calore. Questo televisore non deve essere collocato su mobili come librerie o scaffali, a meno che vi sia una corretta ventilazione o le istruzioni del produttore siano state rispettate.
20. Non posizionare il televisore su un carrello, supporto, cavalletto, staffa o tavolo. Il televisore potrebbe cadere, provocando gravi lesioni a qualcuno, e gravi danni all'apparecchio.
21. Non tentare di riparare il televisore da soli, perché l'apertura o la rimozione delle coperture può esporre a pericolosi ad alta tensione o ad altri rischi. Per l'assistenza rivolgersi a personale qualificato.
22. Si prega di adottare misure protettive per elettricità statica al pannello, per prevenire danni al pannello o a elementi sensibili come scheda principale, es. IC ecc
23. **ATTENZIONE:** Per evitare lesioni, questo apparecchio deve essere fissato saldamente al pavimento / parete secondo le istruzioni di installazione.



Preparazione per il Vostro Nuovo TV

Controllare gli Accessori

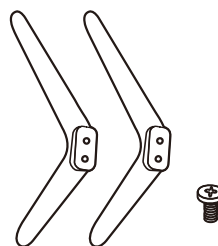
Controllare gli accessori imballati con il vostro TV.



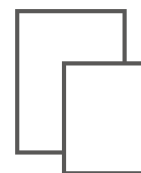
TV LED



Telecomando



Base del supporto del TV
+
4 x Viti



Manuale utente
+
Certificato di garanzia

Guida all'Installazione del Supporto

Il TV è imballato con il supporto del TV separato dall'armadio. Per impostare il supporto da tavolo del TV, si prega di eseguire l'installazione seguendo le istruzioni riportate di seguito.

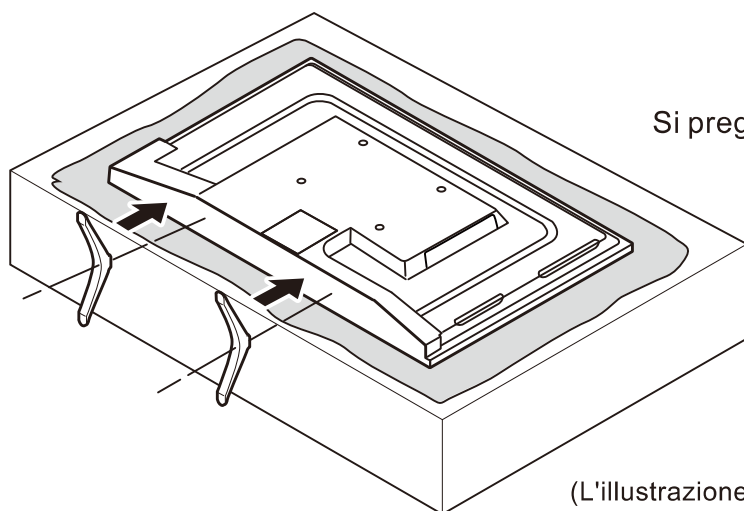
1. Il pannello può essere graffiato facilmente, poi per favore:

Posizionare un panno morbido sul tavolo e posizionare il TV rivolto verso il basso sul panno.

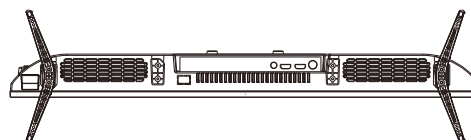
Nota: Si prega di scollegare sempre il cavo CA prima di installare / rimuovere il supporto.

2. Prendere la base. Allineare i fori delle viti della base e del TV, poi inserire le viti nei fori sulla base e serrarle.

Nota: Per garantire che il TV sia stabile, si prega di bloccare tutte le viti.



Si prega di prendere nota della direzione di base:



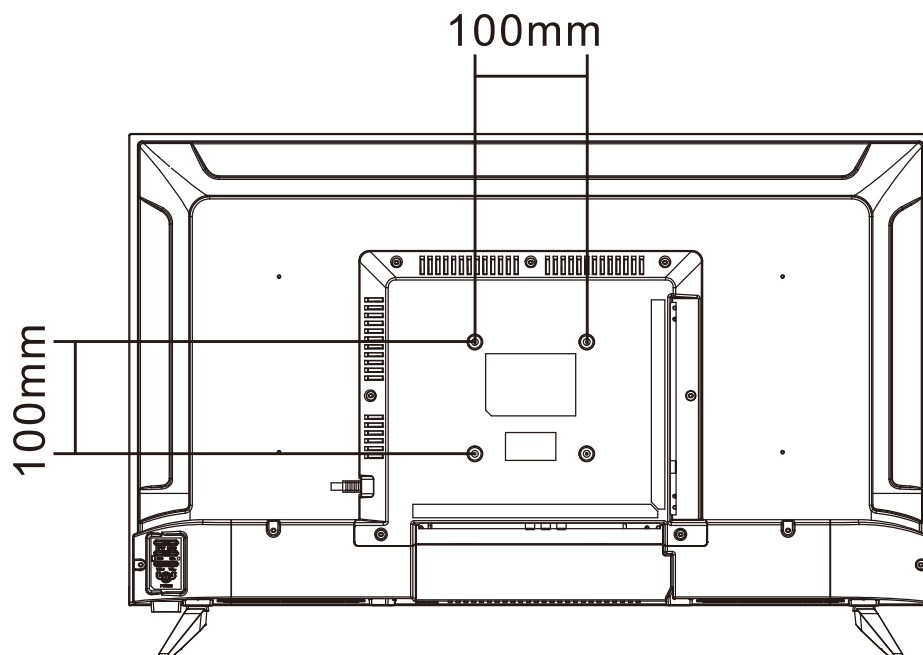
La vista dal basso del TV
(L'armadio anteriore rivolto verso il basso)

(L'illustrazione è solo di riferimento. Si prega di prevalere in tipo.)

Supporto per parete (se disponibile)

Dimensioni unità (unità:mm)	Viti
VESA 100 x 100	viti M4, lunghezza 6mm, 4pz

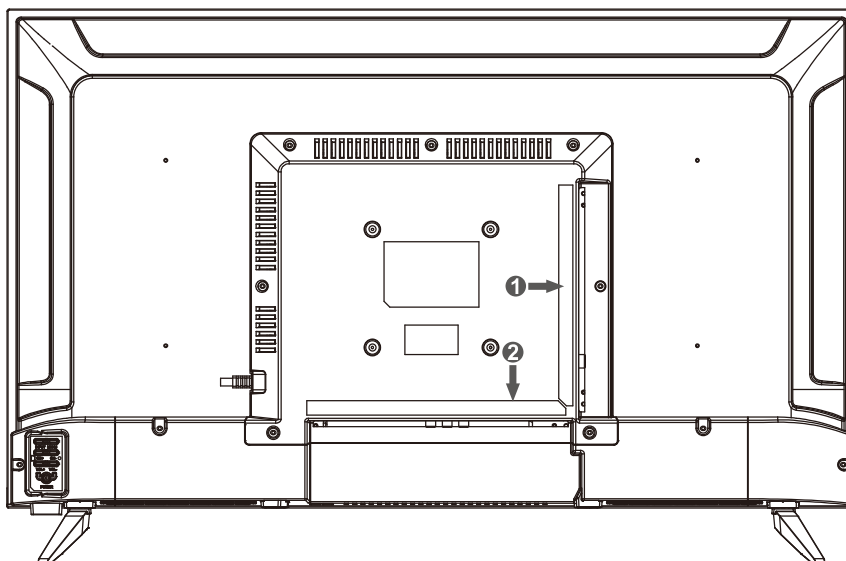
Nota: La lunghezza della vite specificata è solo una raccomandazione; la lunghezza effettiva richiesta può variare in base al tipo di supporto da parete utilizzato.



Avvisi:

1. Non installare il supporto per parete da soli. Si prega di contattare professionisti qualificati per l'installazione.
2. La TV non deve essere montata su muri o superfici che hanno un angolo di più di 10 gradi in direzione verticale, altrimenti il set TV potrebbe cadere.
3. I muri per il montaggio devono avere abbastanza resistenza per sostenere l'intero peso del set TV. Per esempio muri di cemento e mattoni non sono idonei. Non porre il supporto su pareti morbide come muri controterra e di cartongesso.
4. Se parti di ricambio di diverse specifiche (come le viti) vengono utilizzate durante il montaggio, consultare professionisti qualificati per assicurarsi che queste parti siano sicure e efficaci.
5. Prima di attaccare la base al muro, assicurarsi che i buchi per il fissaggio rispettino le regole di montaggio. Diversamente potrebbero esserci potenziali problemi.
6. Non porre nessuna fonte di calore sotto il televisore, potrebbe causare un incendio.
7. Non porre la TV vicino a qualsiasi cosa che possa gocciolare. I trasduttori e i cavi ad alta tensione devono essere posti anch'essi lontano dall'apparecchio. Questi potrebbero causare isolamento, scosse elettriche o scarsa risonanza.
8. Non porre la TV in un luogo dove potrebbero esserci collisioni o vibrazioni.
9. Per prevenire cadute inaspettate del set TV, non porre oggetti pesanti sopra la TV o il supporto per il muro dopo l'installazione.
10. Assicurarsi di scollegare la TV prima dell'installazione. Tenere lontano qualsiasi oggetto appuntito o duro dallo schermo per evitare graffi.
11. Dopo l'installazione, in caso di necessità di dover rimuovere il mobile, si prega di contattare professionisti qualificati.

Spiegazione Jacks TV



①

HDMI3

HDMI2

HDMI1/ARC

USB2
USB1

CI

Earphone

②

RJ45

Optical

CVBS

L

R

RF(S2)

RF(T2)

HDMI: (High-Definition Multimedia Interface) Fornisce una connessione digitale non compressa.

USB: Collegare il dispositivo USB, come ad esempio flash disk per accedere alla funzione dei media di TV.

CI: lettore di schede di CI.

EARPHONE: Collegare una cuffia da 3,5 mm per l'audio personale.

RJ45: Per collegare il cavo ethernet al modem della rete domestica.

OPTICAL: Uscita audio TV digitale.

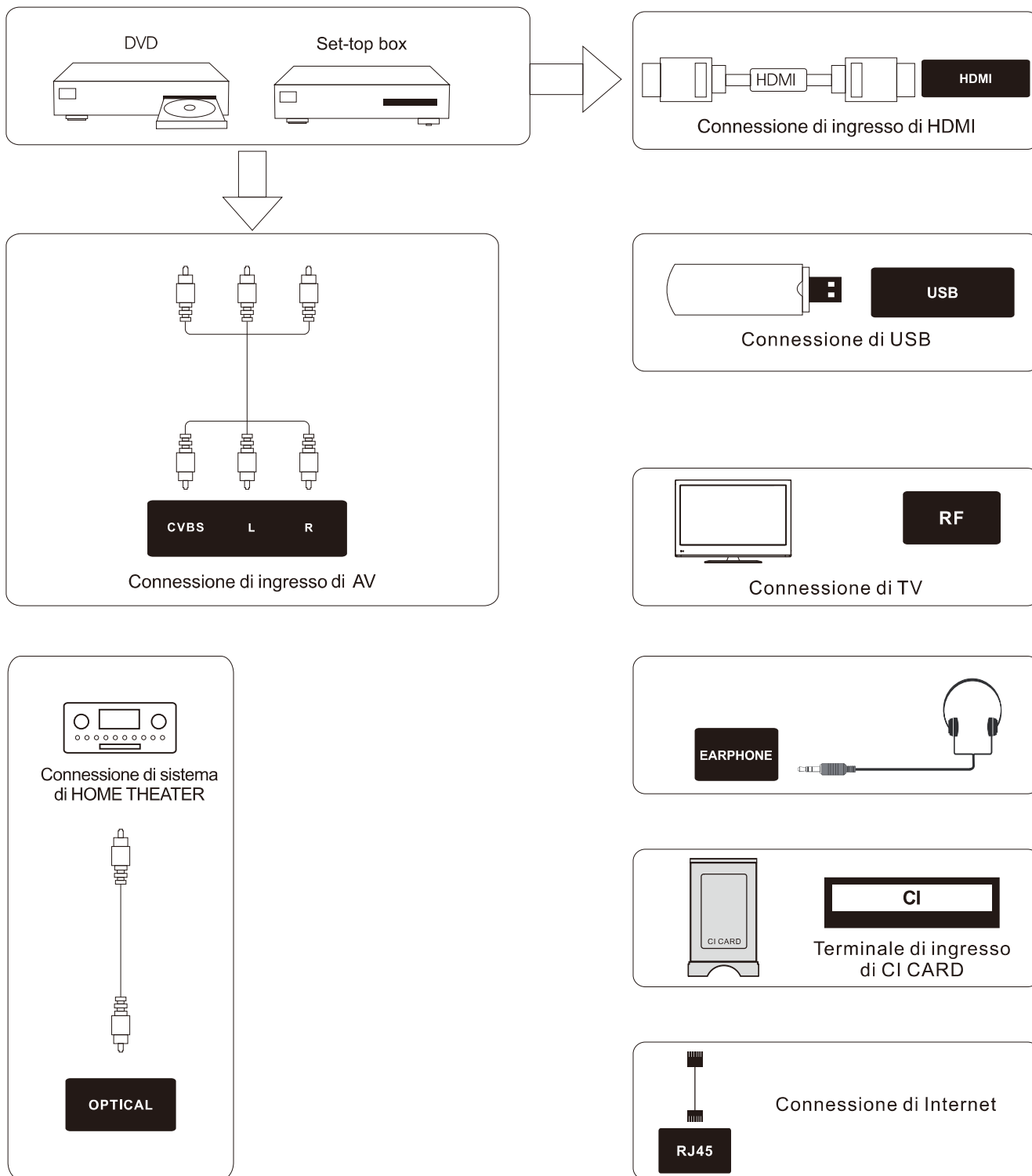
CVBS: collegare un dispositivo AV dotato di jack video composito, come un videoregistratore o un lettore DVD.

L: collegamento del canale audio sinistro. Il connettore audio sinistro è generalmente bianco.

R: Collegamento canale audio destro. Il connettore audio destro è solitamente rosso.

RF: Collegare per ricevere il segnale dall'antenna o via cavo tramite cavo coassiale.

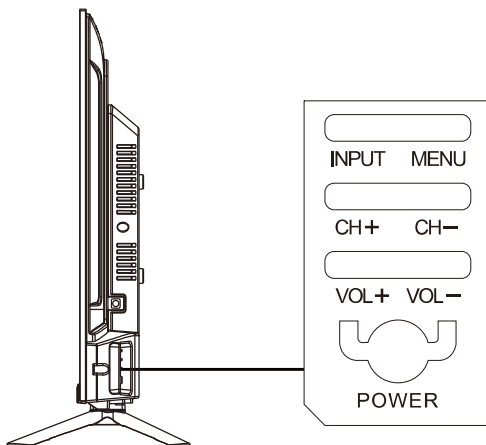
Schema di Collegamento del Dispositivo Esterno



Tastiera laterale e pannello frontale

Pulsanti del tastierino Laterale

Se non è possibile individuare il telecomando, è possibile utilizzare i pulsanti della tastiera lato sul televisore per accedere alle molte funzioni TV.



INPUT: Consente di visualizzare la selezione della sorgente List.

MENU: visualizza il menu principale TV.

CH+ : Esegue la scansione attraverso la lista dei canali. Nel sistema menu del televisore, si comporta come la freccia su sul telecomando e può essere utilizzata per selezionare le opzioni di menu.

CH- : Esegue la scansione verso il basso attraverso la lista dei canali. Nel sistema menu del televisore, si comporta come la freccia giù sul telecomando e può essere utilizzata per selezionare le opzioni di menu.

VOL+: Aumenta il volume. Nel sistema menu del televisore, si comporta come la freccia destra sul telecomando e può essere utilizzato per selezionare le opzioni di menu.

VOL-: Diminuisce il volume. Nel sistema menu del televisore, si comporta come la freccia sinistra sul telecomando e può essere utilizzato per selezionare le opzioni di menu.

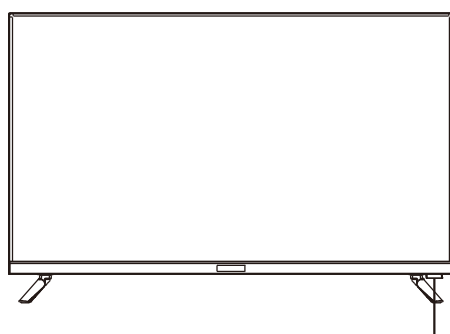
POWER: Accende e Spegne la TV.

Pannello Frontale

Per la distanza di lavoro del controllo remoto e l'angolo, vedere la pagina successiva.

Indicatore / Standby: Il LED mostra il colore bianco in standby e non mostra alcun colore quando la TV è accesa.

Sensore Telecomando: IR Sensore del telecomando, che riceve il raggio infrarosso inviato dal telecomando



Sensore del telecomando.
Indicatore di acceso / standby

NOTA: Se sullo schermo è presente una pellicola protettiva, si prega di rimuovere la pellicola protettiva prima di utilizzare il TV.

Tastiera laterale e pannello frontale

Inserire le batterie nel telecomando

1. Rimuovere il coperchio della cabina batterie sul retro del telecomando sollevando il coperchio.
2. Inserire due batterie AAA, assicurandosi che le polarità (+ e -) siano correttamente allineate.
3. Rimettere il coperchio.

Se il telecomando non funziona, controllare questi punti:

- La polarità è corretta (+, -) ?
- Le batterie sono cariche?
- C'è un guasto di alimentazione AC?
- Il cavo di alimentazione è collegato?
- C'è qualche ostacolo o interferenza che blocca il sensore del telecomando?

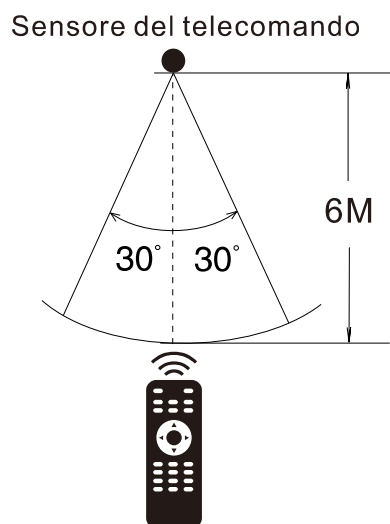
ATTENZIONE:

- Le batterie usate devono essere riciclate.
- Tenere fuori dalla portata dei bambini.
- **NON USARE** batterie vecchie e nuove assieme.
- Cambiare entrambe le batterie allo stesso tempo.
- Quando non si utilizza il telecomando per un lungo periodo, rimuovere le batterie dall'unità.

Attenzione: Tutte le batterie (al chiuse o in uso) non devono essere esposte a temperature elevate come calore solare o fuoco.

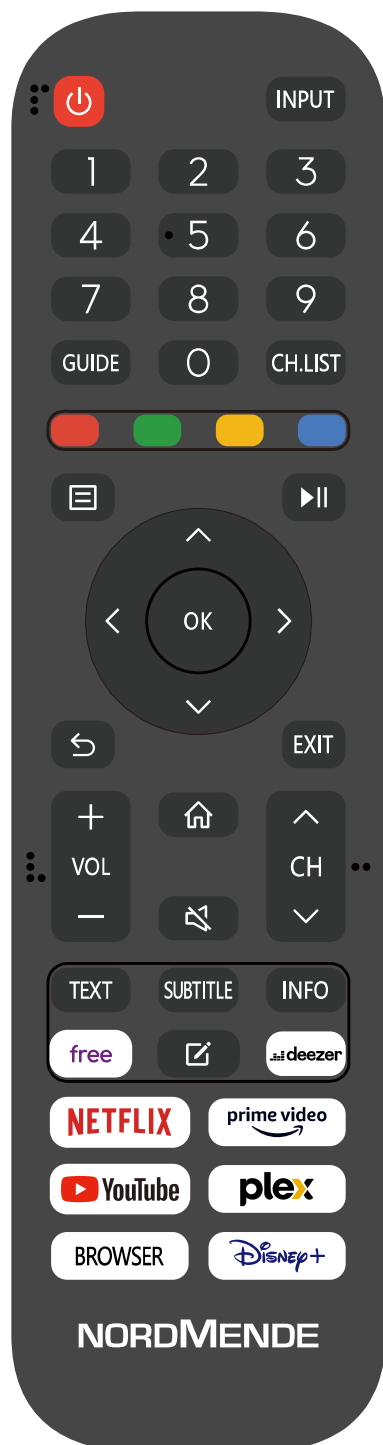
Angolo di ricezione del telecomando

Utilizzare il telecomando all'interno del range di distanza e l'angolo mostrato sotto.



Imparare a conoscere il Telecomando

Pulsanti del telecomando



POWER(⏻): Accende e spenge la TV.

INPUT: Premere cambiamento sorgente del segnale.

NUMBER BUTTONS: Premere 0-9 selezionare un canale TV direttamente quando si sta guardando la TV.

GUIDE: Premere per aprire la guida elettronica ai programmi.

CH.LIST: Elenco canali.

RED/GREEN/YELLOW/BLUE: Utilizzare le funzioni di add-on nel menu OSD.

MENU(☰): Premere Menu per visualizzare le opzioni utente.

(▶||): Riproduci o metti in pausa file multimediali.

Arrows(</>/^/∨): Utilizza le quattro frecce per evidenziare i vari elementi nel menu TV o modificare il valore.

*SEARCH: Inserisci ciò che vuoi cercare.

(Premere il pulsante Freccia ∨ per accedere alla modalità di ricerca.)

OK: Pulsante di conferma.

(↶): Ritorna al canale precedente.

EXIT: Esce dal menu o dalla funzione corrente.

VOL+ or VOL-: Per accedere ai canali successivi o precedenti.

CH^ or CH∨ :Aumenta e diminuisce il volume della TV

HOME(🏠): Premere per aprire la home page.

MUTE(🔇): Riduce il volume del televisore al suo livello minimo. Premere di nuovo per ripristinare il volume.

TEXT: Per accedere alla modalità Televideo.

SUBTITLE: Premere per abilitare o disabilitare I sottotitoli.

INFO: Per visualizzare informazioni.

free: Accedi all'app VIDAA.

EDIT: Tasti di scelta rapida personalizzati, è possibile selezionare la sorgente o l'applicazione per impostare una voce rapida.

deezer: Accedi all'interfaccia di Deezer.

NETFLIX: Accedi all'interfaccia di Netflix.

Prime Video: Accedi all'interfaccia di Prime Video.

YouTube: Accedi all'interfaccia di YouTube.

plex: Si collega a PLEX.

BROWSER: Per aprire il browser.

Disney+: Accedi all'interfaccia Disney+.

NOTA:

- ◆ Tutte le immagini nel presente manuale sono esempi, solo per riferimento, il prodotto reale potrebbe differire dalle immagini.
- ◆ I tasti non menzionati qui non sono usati.

Imparare a conoscere il Telecomando

OPERAZIONI PRELIMINARI SUL TELECOMANDO

INSTALLAZIONE DELLE BATTERIE

Installare le batterie secondo quanto illustrato nelle figure seguenti. Accertarsi che i terminali + e – siano sistemati secondo quanto indicato all'interno del vano batterie (Fig. 1).

DURATA UTILE DELLE BATTERIE

- Normalmente le batterie hanno una durata di un anno, anche se il consumo delle batterie dipende dall'effettivo utilizzo del telecomando.
- Se il telecomando non funziona quando è utilizzato vicino all'apparecchio, sostituire le batterie.
- Utilizzare due batterie asciutte di tipo AAA.

NOTA:

- Non far cadere, calpestare o in altro modo colpire il telecomando. Ciò potrebbe danneggiare i componenti o causare un malfunzionamento.
- In caso di inutilizzo prolungato del telecomando, rimuovere le batterie.

FUNZIONAMENTO DEL TELECOMANDO

Puntare il telecomando da una distanza di non oltre 6 m dal sensore telecomando ed entro un angolo di 60° di fronte all'apparecchio (Fig. 2).

NOTE:

- La distanza di funzionamento può variare a seconda della luminosità dell'ambiente.
- Non puntare fonti luminose verso il sensore telecomando.
- Non posizionare alcun oggetto tra il telecomando e l'apposito sensore.
- Non utilizzare questo telecomando se si utilizza contemporaneamente il telecomando di un'altra apparecchiatura.

Fig. 1

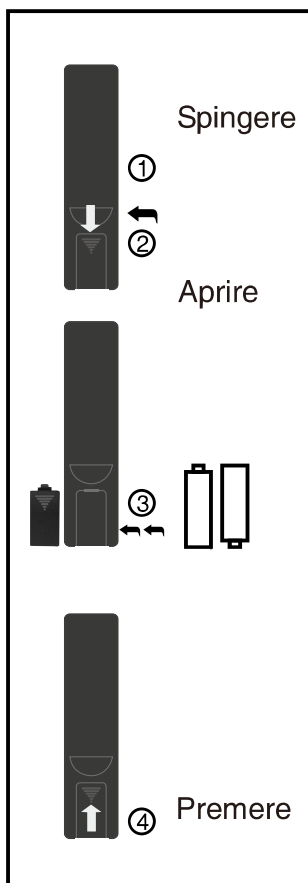
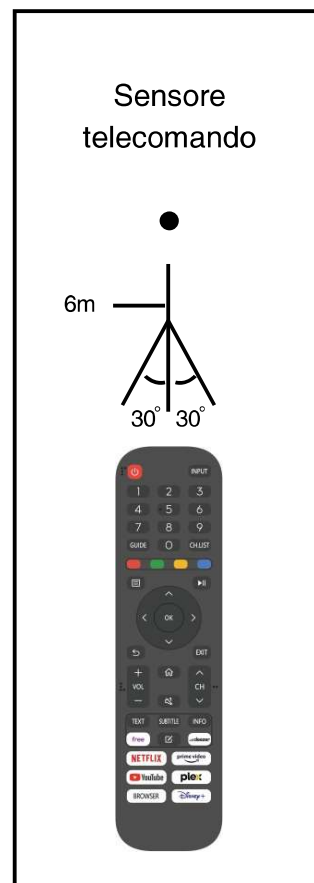


Fig. 2



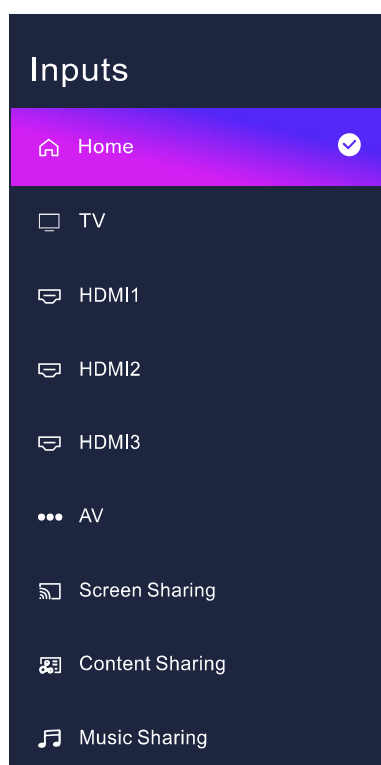
Operazioni di Base

Accensione e spegnimento

Collegare il cavo AC per alimentare il televisore. A questo punto il televisore entrerà in modalità standby e l'indicatore di alimentazione diventerà bianco. Utilizzare il pulsante di accensione (⏻) sulla TV o sul telecomando per accendere la TV.

Dopo aver spento la TV per 5 secondi, è possibile riaccenderla.

Selezionare la sorgente di ingresso



Premere il tasto **INPUT** per visualizzare l'elenco delle sorgenti di ingresso.

Premere il tasto ▲/▼ per selezionare la sorgente di ingresso che si desidera vedere.

Premere il tasto **OK** per inserire la sorgente di ingresso.

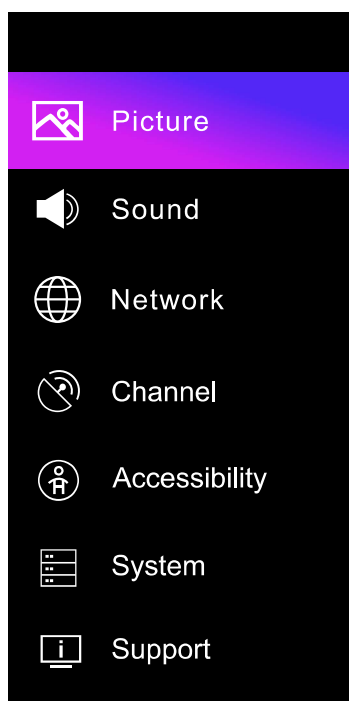
Regolare la Schermata OSD

- Premere il tasto **MENU** per visualizzare il MENU DI OSD PRINCIPALE.
- Premere il tasto ▲/▼ per selezionare il Settings menu.
- Premere il pulsante **OK** per accedere al sottomenu e premere il pulsante (↶) per tornare al menu precedente.
- Premere il pulsante ▲/▼ per selezionare l'opzione e quindi premere il pulsante **OK** per accedere al sottomenu, premere tasto ◀/▶ per regolare il valore o premere il tasto ▲/▼ per selezionare nel sottomenu;

È possibile premere il pulsante **EXIT** per uscire dall'intero menu.

Operazioni del Menu di OSD

Impostazione del Menu



Premere il pulsante **MENU** per selezionare "Impostazione" in questo menu per accedere al menu principale.

Picture: Utilizzato per la regolazione dell'effetto dell'immagine TV.
Ad esempio: modalità immagine, proporzioni e così via.

Sound: utilizzato per la regolazione degli effetti sonori del televisore.
Ad esempio: Modalità audio, Altoparlanti e così via.

Network: utilizzato per le impostazioni della rete TV.
Ad esempio: configurazione di rete, connessione Internet e così via.

Channel: utilizzato per la ricerca e la modifica dei canali.
Puoi scegliere di cercare automaticamente o scegliere di cercare manualmente in base alle tue esigenze.
Utilizzato per la ricerca e la modifica dei canali, è disponibile solo nell'ingresso TV.

Accessibility: utilizzato per la regolazione dell'accessibilità.
Ad esempio: Tipo audio, Impostazioni sottotitoli e così via.

System: utilizzato per le impostazioni del sistema TV.
Ad esempio: Impostazioni timer, Lingua e così via.
È possibile creare e modificare le password in PIN di sistema.

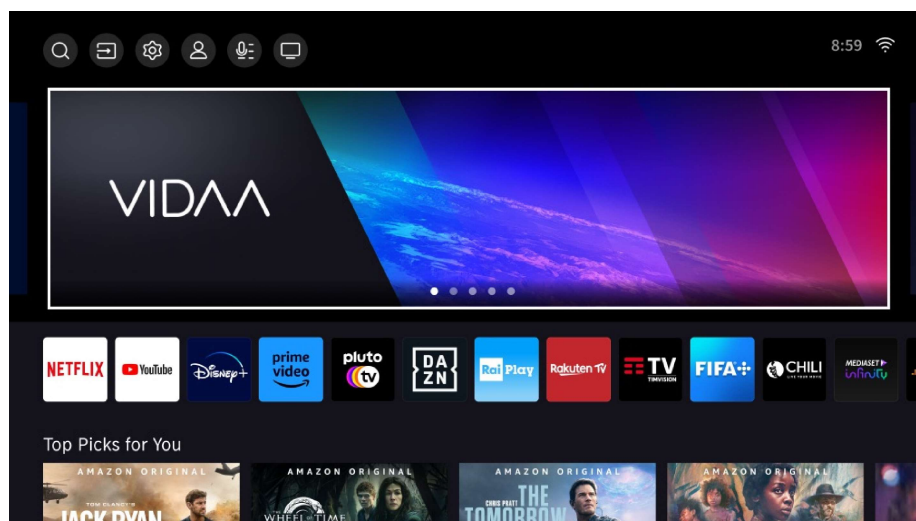
Support: utilizzato per le impostazioni del menu di supporto TV.
Ad esempio: aggiornamento del sistema, ripristino delle impostazioni di fabbrica e così via.

Per ulteriori impostazioni, fare riferimento alle impostazioni del menu.

Operazioni del Menu di OSD

Operazione di Smart TV

Premere il pulsante **HOME** sul telecomando per accedere al programma di avvio principale. Premere i pulsanti freccia **▲/▼/◀/▶** per selezionare l'icona e premere il pulsante **OK** per accedere al sottomenu per eseguire l'operazione desiderata.

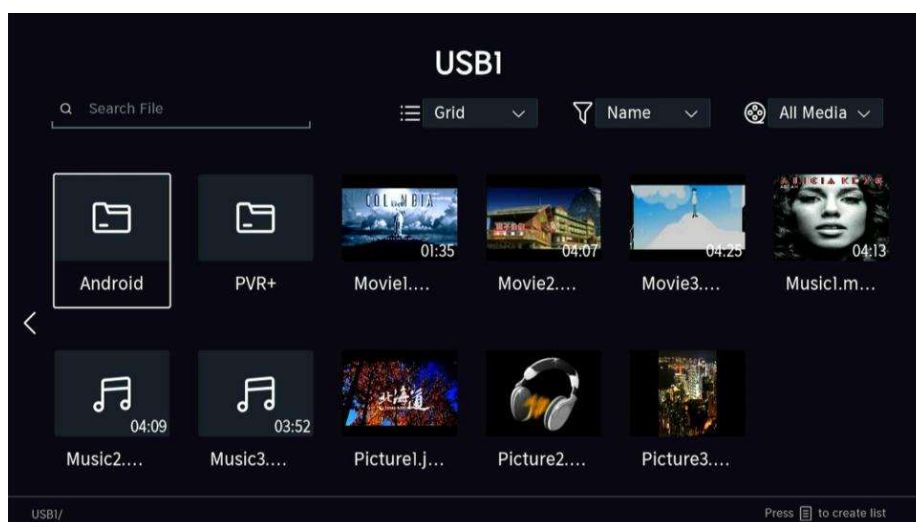


Operazione Multimediale

Nota: prima di utilizzare il menu MEDIA, collegare il dispositivo USB o la scheda di memoria.

Dopo aver inserito il dispositivo USB, premere il pulsante **"INPUT"** e premere **▲/▼** per selezionare l'USB sorgente e premere il pulsante **"OK"** per accedere.

Premere il pulsante Menu per visualizzare le opzioni di impostazione sul lato sinistro.



1. Premere il pulsante **◀/▶/▲/▼** per selezionare l'opzione che si desidera regolare nel menu Media, quindi premere il pulsante **OK** per accedere.
2. Premere il pulsante **◀/▶** per regolare o premere il pulsante **▲/▼** per selezionare.
3. Al termine della regolazione, premere il pulsante (**↵**) per salvare e tornare al menu precedente e premere il pulsante **EXIT** per uscire dall'intero menu.

Risoluzione dei problemi

Identificazione dei problemi

In caso di problemi nell'utilizzo del prodotto, si prega di consultare la lista sottostante. Se la lista non è sufficiente a risolvere il problema, contattare il Servizio Clienti immediatamente.

Problemi TV

La TV non si accende.

- Accertarsi che il cavo di alimentazione sia collegato.
- Controllare la presa a parete, assicurarsi che l'uscita CA funzioni normalmente e in modo stabile.
- Selezionare la funzione Blocco Tasti nel Menu OPZIONI e premere OK per deselezionare lo stato di blocco.

Nessun immagine o suono ma la TV è accesa e c'è il segnale "No Signal" sullo schermo.

- State cercando di utilizzare una fonte di input con nessun dispositivo connesso ad essa? Se si vuole utilizzare un altro dispositivo audio/video, assicurarsi prima che il dispositivo esterno funzioni normalmente, successivamente premere Source e scegliere la giusta fonte di input.
- L'opzione del tipo di segnale potrebbe essere impostata in modo non corretto.
- Il canale potrebbe essere vuoto. Cercare di nuovo il canale o cambiare con un altro.

Il suono è buono, ma l'immagine è scarsa.

- Se riuscite solamente ad avere immagini in bianco e nero dal dispositivo esterno che avete collegato alla TV, probabilmente è dovuto ai cavi video non connessi bene o connessi in modo errato. Controllare per prima cosa la stabilità della connessione e successivamente la correttezza.
- Per l'input AV, il cavo video giallo va collegato al Jack del Video In sulla parte laterale della TV. Per la Componente input, i tre cavi video Y, Pb, Pr (rosso, blu e verde) devono essere connessi ai jack di input corrispondenti sulla parte laterale della TV.
- Controllare le connessioni dell'antenna. Assicurarsi che tutti i cavi siano connessi stabilmente al jack TV sulla parte laterale della TV.
- Cercare di aggiustare le caratteristiche dei colori per migliorare.

Non c'è nessun suono, ma l'immagine è buona.

- Il suono potrebbe essere muto. Cercare di premere il pulsante MUTE per ripristinare il suono.
- Per utilizzare AV o Componente, accertarsi di connettere l'output sinistro e destro del dispositivo correttamente. Il cavo del canale sinistro è bianco e quello destro è rosso. Si prega di collegare i cavi e i jack a seconda dei colori.
- Le impostazioni del suono potrebbero non essere impostate correttamente.
- Se la fonte audio ha solo un jack o ha una fonte (mono) audio, assicurarsi di averlo collegato nel Jack Audio In (bianco) nella TV.

I pulsanti laterali non funzionano.

- Scollegare la TV dall'alimentazione CA per 10 minuti e successivamente ricollegarla. Accendere la TV e provare nuovamente.

La TV si spegne improvvisamente.

- Il circuito elettronico di protezione potrebbe essere stato attivato a causa di sovraccorrente. Aspettare 30 secondi e accendere la TV nuovamente. Se questo succede frequentemente, il voltaggio nella vostra abitazione potrebbe essere anormale. Se le altre apparecchiature elettroniche nella vostra abitazione non riescono a funzionare normalmente, consultare personale di servizio qualificato.

Il Telecomando non funziona.

- Potrebbe esserci qualche blocco di comunicazione tra il telecomando e il sensore remoto nella parte frontale della TV. Assicurarsi che non siano presenti ostacoli.
- Il telecomando potrebbe non essere puntato direttamente alla TV.
- Le pile del telecomando potrebbero essere scariche, assenti o non installate correttamente. Inserire delle nuove pile nel telecomando.

RADIO FREQUENZE

ATV	Range di ricezione	48.25MHz ~ 863.25MHz
	Impedenza ingresso	75Ω
	Sistema Video	PAL/SECAM
	Sistema Audio	BG, DK, I, NICAM/A2
	Numero di canali memorizzabili	100 CH
DVB-T/T2/S/S2	Frequenze di ricezione	VHF(117.5MHZ-226.5MHZ)
		UHF(474MHZ-858MHZ)
	Impedenza Ingresso	75 Ω
	Larghezza banda canali	7MHZ/8MHZ
	Modulazione DVB-T	COFDM 2K/8K QPSK,16QAM,64QAM
	Modulazione DVB-T2	QPSK,16QAM,64QAM, 256QAM
	Modulazione DVB-S/S2	QPSK,8PSK,16APSK
	Modulazione DVB-C	16QAM, 32QAM, 64QAM, 128QAM, 256QAM
	Sistema Video	MPEG-2, MPEG-4, H.264, H.265,AVS
	Sistema Audio	MPEG-1 layer 1/2, MPEG-2 layer 2,DRA
	Funzioni principali	EPG, Subtitle
	Common Interface	Built-In
	Numero di canali memorizzabili	1000CH(DVB-T+DVB-C, Dynamic) 5000CH(DVB-S/S2, dynamic)
WIFI	IEEE 802.11b/g/n 2.4GHz 300Mbps	
	Potenza di trasmissione 16.52dBm	

Specifiche Prodotto

Modello:	ND32S306QS QLED
Video	avi, MPEG
Musica:	mp3
Foto:	jpg, jpeg, bmp, png
Risoluzione dello schermo:	1366 x 768
Tensione di funzionamento:	AC 100-240V ~ 50/60Hz
Potenza nominale assorbita:	55W
Frequenza di aggiornamento nativa del pannello:	60Hz
Versione software:	



INFORMAZIONI AGLI UTENTI

ai sensi del Decreto Legislativo N° 49 del 14 Marzo 2014

“Attuazione della Direttiva 2012/19/UE sui rifiuti di apparecchiature elettriche ed elettroniche (RAEE)”

Il simbolo del cassonetto barrato riportato sull'apparecchiatura indica che il prodotto alla fine della propria vita utile deve essere raccolto separatamente dagli altri rifiuti. L'utente dovrà, pertanto, conferire l'apparecchiatura integra dei componenti essenziali giunta a fine vita agli idonei centri di raccolta differenziata dei rifiuti elettronici ed elettrotecnici, oppure riconsegnarla al rivenditore al momento dell'acquisto di nuova apparecchiatura di tipo equivalente, in ragione di uno a uno, oppure 1 a zero per le apparecchiature aventi lato maggiore inferiore a 25 cm. L'adeguata raccolta differenziata per l'avvio successivo dell'apparecchiatura dimessa al riciclaggio, al trattamento e allo smaltimento ambientale compatibile contribuisce ad evitare possibili effetti negativi sull'ambiente e sulla salute e favorisce il riciclo dei materiali di cui è composta l'apparecchiatura. Lo smaltimento abusivo del prodotto da parte dell'utente comporta l'applicazione delle sanzioni amministrative di cui al D.Lgs n. Decreto Legislativo N° 49 del 14 Marzo 2014.

Il prodotto funziona con batterie che rientrano nella direttiva europea 2006/66/CE e che non possono essere smaltite con i normali rifiuti domestici. Informarsi sulle normative locali relative alla raccolta differenziata delle batterie: un corretto smaltimento permette di evitare conseguenze negative per l'ambiente e la salute.

ND32S306QS QLED

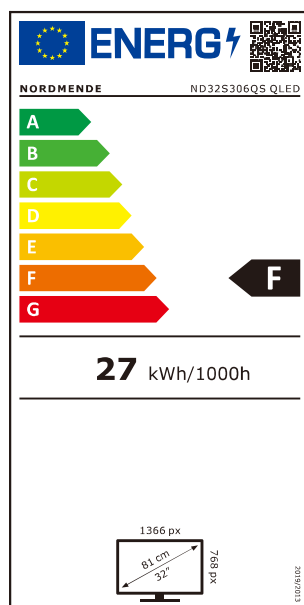
Potenza massima: 55W

Consumo energetico annuo: 27 kWh/1000h

Classe energetica: F

Il modello di batteria per il controllo remoto è: AAA (batterie non incluse)

Consumo in modalità stand-by 0,5W



Consumo di energia 27 kWh/1000h calcolato in sulla base al consumo energetico del televisore per 1000 ore di lavoro all'anno. Il consumo energetico effettivo dipende dall'uso effettivo del televisore.

**TIPO DI EQUIPAGGIAMENTO RADIO
DICHIARAZIONE DI
CONFORMITA' EU SEMPLIFICATA**

ND32S306QS QLED

La sottoscritta, Barni Carlo Spa, dichiara che il tipo di equipaggiamento radio è conforme alla direttiva 2014/53/EU. Il testo completo della dichiarazione di conformità EU è disponibile al seguente indirizzo internet :

www.barni.it

NORDMENDE



HDMI[®]

HIGH-DEFINITION MULTIMEDIA INTERFACE

Barni Carlo Spa , Via Arconate 63,
20038 Busto Garolfo (Milano)

MADE IN CHINA